



MOTOR GRADER RIG OUT CATALOG

AFTERMARKET COMPONENTS AND COMMON MAINTENANCE PARTS

MODELS: 120, 12, 140, 150, 160, 14
SERIES: H / K / GC / M / M2 / M3 / -

LET'S DO THE WORK.™



AFTERMARKET COMPONENTS

FEATURE UPGRADES 3-9

ADVANCED CONTROL JOYSTICKS.....	3
AUTO SHIFT	4
CAT GRADE SOLUTIONS.....	4
AUTO ARTICULATION	5
STABLE BLADE	5
BLADE CUSHION ACCUMULATOR.....	6
E-FENCE: BLADE AVOIDANCE.....	6
REVERSING FAN.....	7
POWER CAB AIR SYSTEM.....	7
CAT PRODUCT LINK™.....	8
AUTO DIFFERENTIAL LOCK.....	8
TECHNOLOGY PERFORMANCE BUNDLE.....	8
DIGITAL BLADE SLOPE METER.....	9
CAT PRODUCTION MEASUREMENT SYSTEM.....	9
MACHINE SECURITY SYSTEM.....	9
REMOTE SERVICES	9

ACCESSORIES 10-16

FINISH GRADE READY KIT.....	11
AIR COMPRESSOR	11
CAB STORAGE KIT	11
HEATED FRONT / RIGHT HAND SIDE GLASS.....	12
MIRROR EXTENSIONS	12
CIRCLE SAVER	12
HIGH BACK SEAT.....	12
MOLDBOARD PIVOT PIN (LUBRICATED).....	13
JUMP START CABLES.....	13
REAR VIEW CAMERA.....	14
ZERO CAMBER LEAN BAR.....	14
BEACON / BEACON GUARD.....	14
FAST FILL FUEL.....	14
FRONT AXLE STEERING CYLINDER GUARDS	15
OBJECT DETECTION.....	15
BLADE EXTENSIONS	15
SWING OUT WINDOWS.....	16
GROUND LEVEL FUELING	16
TIRE MONITORING SYSTEM.....	16
SEAT BELT INDICATOR	16

ATTACHMENTS 17-22

STRAIGHT FRONT BLADE.....	18
HYDRAULIC ANGLE FRONT BLADE	18
MANUAL ANGLE FRONT BLADE.....	18
FENDERS.....	19
FRONT MOUNTED HYDRAULIC BROOM.....	19
PUSH BLOCK / COUNTERWEIGHT.....	20
FRONT LIFT GROUP	20
FRONT MOUNTED SCARIFIER.....	21
MID MOUNT SCARIFIER	21
REAR RIPPER / SCARIFIER	22

SNOW SOLUTIONS..... 23-25

COLD WEATHER PACKAGE	23
U/V ANGLE BLADE.....	23
V PLOWS.....	23
MASTLESS SNOW WING.....	24
MASTED SNOW WING.....	24
CURB STOP.....	24
TRIP EDGE	24
STRAIGHT FRONT BLADE.....	25
ANGLE FRONT BLADE	25
TRIP BLADE	25
SY-KLONE AIR CLEANER	25

COMMON MAINTENANCE PARTS 26-53

CUSTOMER VALUE AGREEMENT	27
PLANNED MAINTENANCE INTERVALS.....	28-31
WEAR PARTS STANDARD DRAWBAR.....	32
WEAR PARTS 4-SHOE DRAWBAR.....	33
WEAR PARTS 6-SHOE DRAWBAR.....	33
WEAR PARTS 14 MOTOR GRADER DRAWBAR.....	34
LED LIGHTS	35
GRADERBIT2™ SYSTEM	36-39
GROUND ENGAGING TOOLS – 12FT BLADES	40-41
GROUND ENGAGING TOOLS – 13FT BLADES	42
GROUND ENGAGING TOOLS – 14FT BLADES	43-44
LINKAGE PIN INFORMATION.....	45-53

PART NUMBER INDEX 54-56

A CLEAR LINE OF SIGHT DOWN THE ROAD OF INNOVATION

CAT™ MOTOR GRADERS. NEW NAMES. SAME PRODUCTIVITY AND COMFORT.



120
120K
120M
120M2



140
12M
12M3

150
140M
140M3

160
160M
160M3

14
14M3

16
16M3

18
18M3

24
24M

K SERIES AND 14L WILL REMAIN UNTIL NPL.



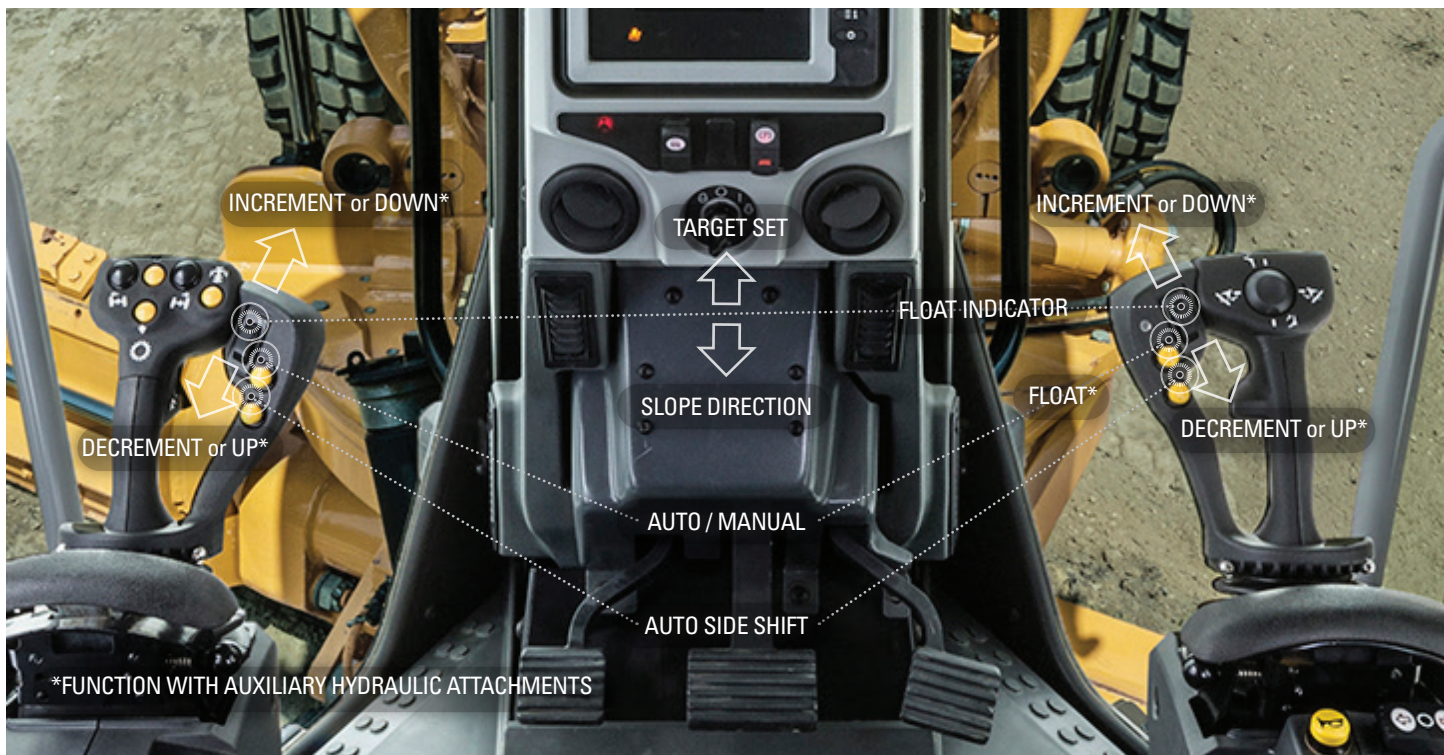


FEATURE UPGRADES »

Start with the best in efficiency, effectiveness and power – and then make it even better with upgrades that enhance our most popular features. From the latest generation of advanced control joysticks to satellite linked telematics, these feature upgrades make the connection between operator and equipment more intuitive, responsive and flexible than ever.

Advanced Control Joysticks

Meet the next generation of joysticks that enable operators to keep their hands on the controls at all points of operation. These joysticks add all-grade control functions and attachment controls to the existing joysticks and can be programmed to control any auxiliary attachments added to the machine.



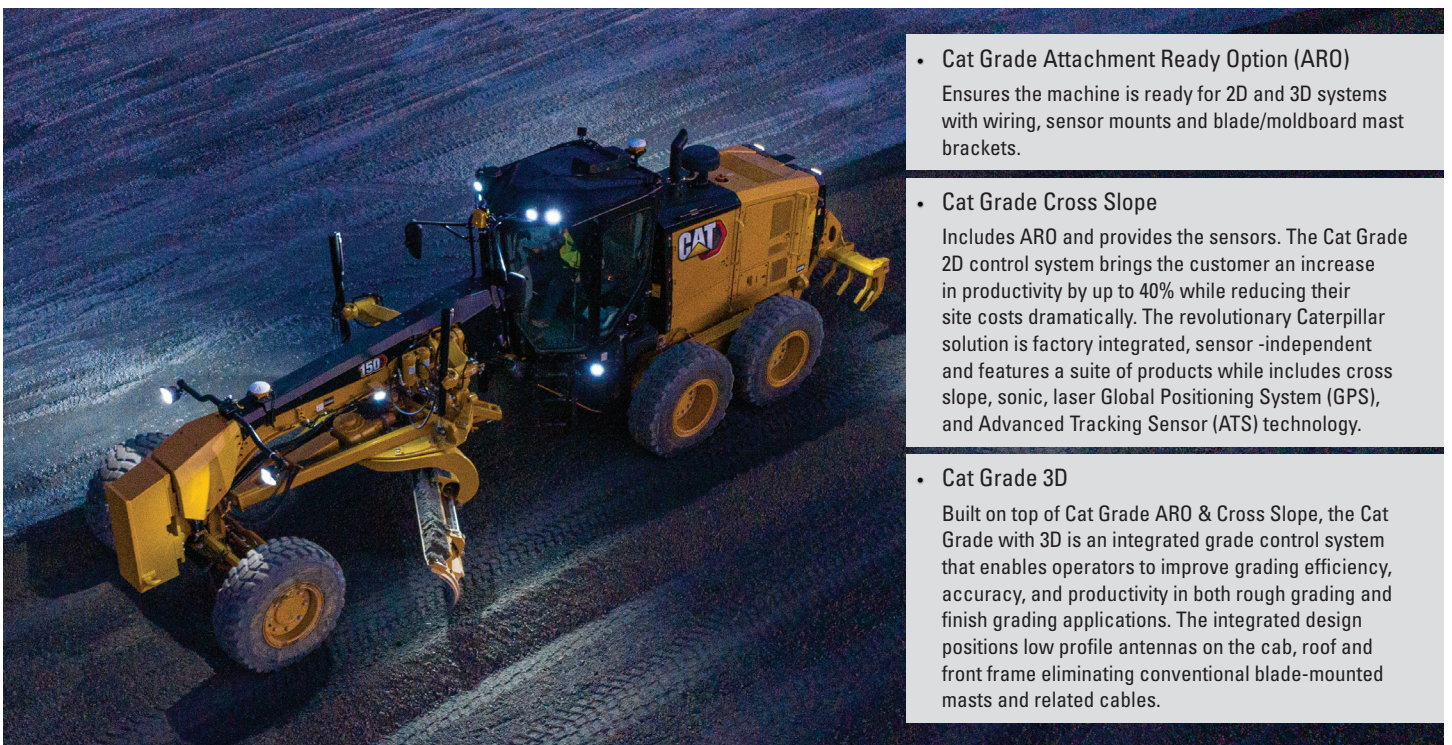
Auto Shift

Automatically shifts the transmission at optimal shift points without operator input.



Cat Grade Solutions

Cat Grade systems are deeply integrated into each machine, so they are easy and intuitive to operate. These productive systems help bring inexperienced operators up to speed quickly, while enabling pro-level operators to perform better than ever.



- **Cat Grade Attachment Ready Option (ARO)**
Ensures the machine is ready for 2D and 3D systems with wiring, sensor mounts and blade/moldboard mast brackets.
- **Cat Grade Cross Slope**
Includes ARO and provides the sensors. The Cat Grade 2D control system brings the customer an increase in productivity by up to 40% while reducing their site costs dramatically. The revolutionary Caterpillar solution is factory integrated, sensor-independent and features a suite of products while includes cross slope, sonic, laser Global Positioning System (GPS), and Advanced Tracking Sensor (ATS) technology.
- **Cat Grade 3D**
Built on top of Cat Grade ARO & Cross Slope, the Cat Grade with 3D is an integrated grade control system that enables operators to improve grading efficiency, accuracy, and productivity in both rough grading and finish grading applications. The integrated design positions low profile antennas on the cab, roof and front frame eliminating conventional blade-mounted masts and related cables.

Auto Articulation

Auto articulation seamlessly adds articulation with steering input to simplify operation, improve maneuverability and reduce the turning radius of the machine.



Stable Blade

Stable blade eliminates machine bounce by adjusting the throttle when bounce is detected. This prevents surface damage, improves operator comfort and increases productivity by reducing rework passes.



Blade Cushion Accumulator

Blade Cushion Accumulators absorb vertical shocks and prevent damage to the drawbar, circle and moldboard when the moldboard contacts immovable objects. This option is especially useful in rough grading and rocky areas. Avoid unintended machine movement for increased operator safety.



E-Fence: Blade Avoidance

This is specific to motor graders and when it is activated, it prevents the moldboard from contacting the tires, step ladders, and the circle. This eliminates potential damage to the link bar. Great for new and experienced operators. E-Fence is available when the machine is equipped with the 3D Mastless System.



Reversing Fan

The reversing fan provides two modes: “automatic” and “manual”. The automatic mode will engage the reversing fan at a pre-set time interval to purge the intake screen. This is ideal for customer applications that require cleaning of the cooling package when operating in high debris applications.



Powered Cab Air System



BENEFITS »

- Powered HVAC precleaner designed to increase fresh air filter life.
- Includes a precharge fan to improve cab fresh-air filter life.
- Increases the fresh-air flow into the cab, increasing cabin pressure

Cat Product Link™

These cellular and satellite-linked Cat telematic offerings enable accurate monitoring of machine location, fuel status, utilization data and product health information at your fingertips.



Auto Differential Lock

Standard automatic differential lock/unlock monitors machine and application parameters to unlock/re-lock the differential during operation, improving production and enhancing comfort while protecting the power train. It's standard equipment on all new models, and can be retrofitted on first generation M Series models.



Motor Graders Technology Performance Bundle

Bring your motor grader up to current factory standard production with integrated technologies. Our Technology Performance Bundle includes the four integrated technologies below in a kit that has a cost savings over ordering the individual kits.



Advanced Joystick Control

- Easy to operate technology functions
- Keeps hands on the controls
- Reduces hand movements
- Allows operator to focus on work



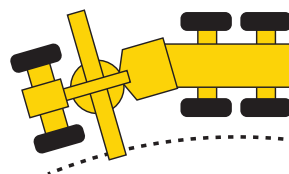
Stable Blade*

- Detects machine bounce
 - Automatically reduces machine bounce to improve grading precision
 - No operator effort required
- *This product was previously known as Stable Grade



ARO

- Prepares machine for upgrading to all grade control options
- Adding grade control systems will save time, fuel, and resources

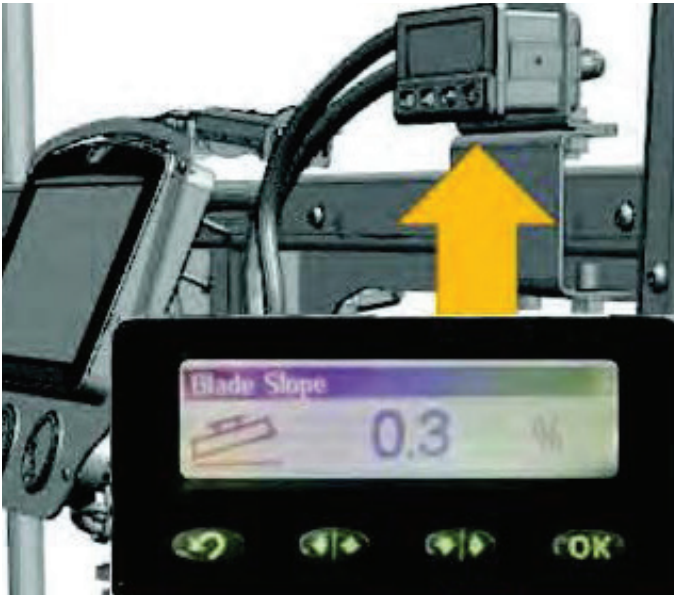


Auto Articulation

- Automatically articulates while steering
- Enhances maneuverability
- Reduces operator inputs

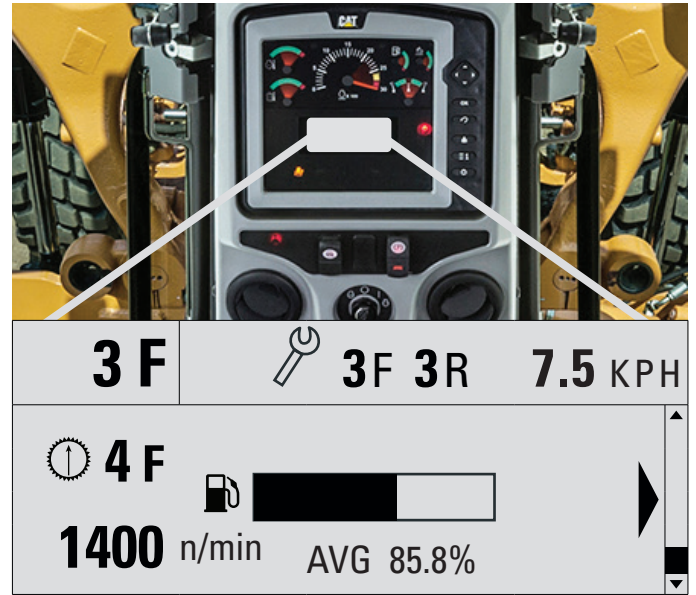
Digital Blade Slope Meter

The digital blade slope meter shows the blade slope angle on the main display. This feature allows the operator to quickly check across slope when the front and rear frame are aligned, and the moldboard is perpendicular to the machine.



Cat Production Measurement System

Cat Production Measurement (CPM) is built on 2 applications: Efficiency Coach and Application Segmentation. Efficiency coach will save up to 15% fuel. Application segmentation tracks location machine and application of the machine (road, waiting, blading or ripping).



Machine Security System

Machine Security System (MSS) provides a security solution for rental machines, remote worksites, multiple contractor worksites, high theft areas or any situation where limiting machine access is required.



Remote Services

This is a suite of capabilities at your fingertips. This includes remote flash for software updates, remote troubleshooting, and local service using cellular data.



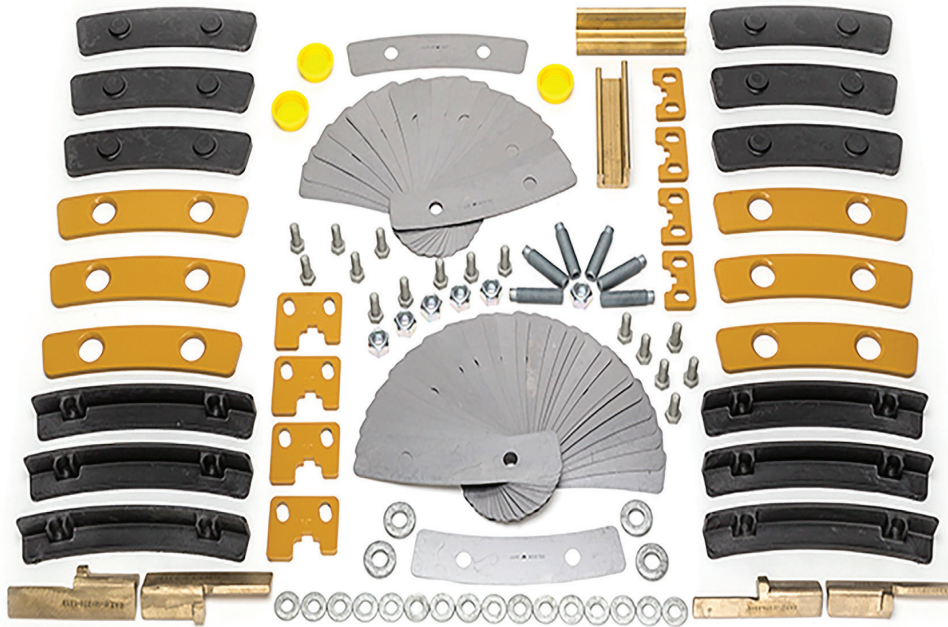
ACCESSORIES »

Little things can make a big difference. Sometimes a worn out circle pinion or an iced-over window is all that stands between you and getting a job done. These accessories can give you a little more room in the cab, a better view of what's behind you and the right replacement part at the right time. Best of all, they can give you peace of mind.



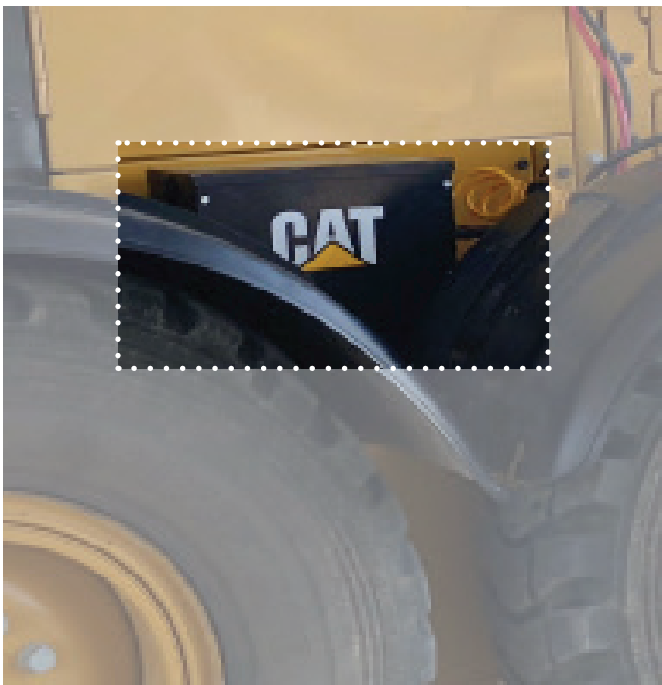
Finish Grade Ready Kit

This kit includes all critical drawbar, circle and moldboard wear parts to restore and maintain factory tightness. It includes circle shoe wear strips, drawbar and moldboard wear strips and shims, moldboard wear strip end plates and moldboard wear strip hardware.



Cat Air Compressor

Onboard compressed air supply for filling tires, changing cutting edges and blowing out cooling package.



Cab Storage Kit

Make the most of your cab space with these innovative and easy-to-install floor-mounted and headliner storage bins.



Heated Front & Right Hand Side Glass

Optional heated front glass and heated right hand side glass makes operation during inclement weather safer and easier.



Mirror Extensions

Get the performance of our side mirrors with extensions for expanded visibility. This option is available for standard and heated mirrors.



Circle Saver

This low cost solution for motor graders keeps the circle pinion greased via a remote port on the top of the drawbar. That extends both pinion and circle gear life and makes your equipment even easier to maintain.



High Back Seat

Improve operator comfort with the High Back Seat. Along with the high back, this new seat offers heat, softer cushion, and longer arm rests. *Only available on 140 LVR.



Moldboard Pivot Pin (Lubricated)

Moldboard pivot pin provides this redesign of the moldboard pivot pin. To improve life of our pivot pin and decrease downtime, this new design will keep tolerance tight and prevent premature wear.



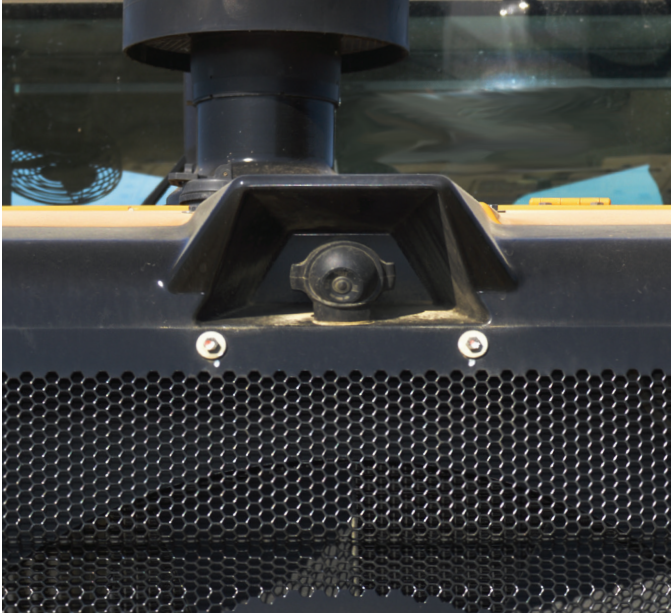
Jump Start Cables

There are two cables that can be used to provide power to a stalled machine through power receptacles. Select from receptacle to receptacle (machine to machine) or from terminal to receptacle (power pack to machine).



Rear View Camera

The camera is mounted to the rear of the hood and is connected to a dedicated color display mounted in the cab, which shows the view behind the machine. Some come with additional safety features that allow you to always have the display on, or a heated lens on the camera to prevent snow build-up.



Zero Camber Lean Bar

This will change the camber angle of the front wheels to zero degrees. This change will improve the life of the front tires in certain applications. *tandem only



Beacon / Beacon Guard

Beacons have bright bulbs affixed to a base to help keep the jobsite safe by helping crews know what equipment is in use. Guard helps to protect the beacon from damage and extend the beacon life.



Fast Fill Fuel

A fast fill fuel system allows speedy refueling of vehicles and increases operator safety. Fast fill systems in general allow for ground level refueling and automatic shut-off upon a full tank.



Front Axle Steering Cylinder Guards

Get the extra protection you need for your steering cylinder hose routings.



Object Detection

This is designed to increase safety and visibility during machine startup, initial movement and always in reverse. When radars are active, the system alarms only when the machine is in gear and in the direction of a detected object.



Blade Extensions

Provide up to 20% more productivity with genuine Cat blade extensions.



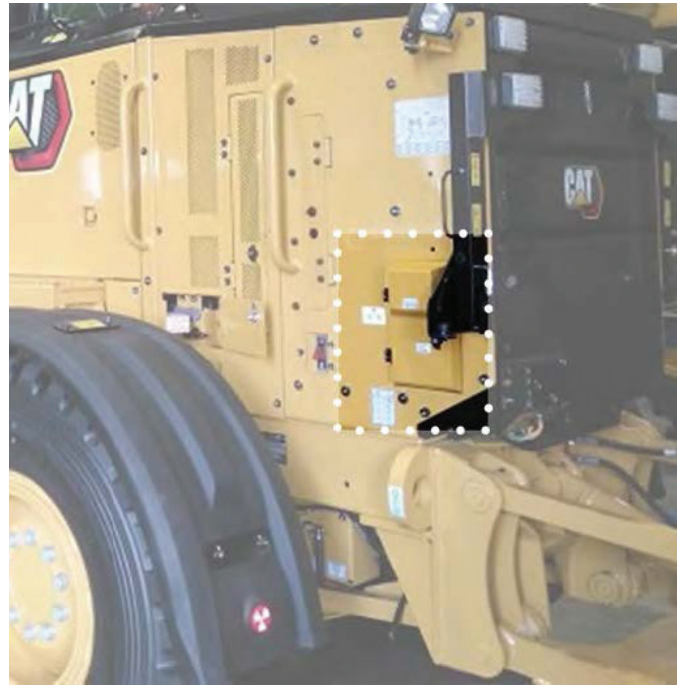
Swing Out Windows

The swing out windows provide operators with an easy way to bring fresh air into the cab during machine operation and enhance the visibility to work tools.



Ground Level Fueling

Ground level fueling increases safety by creating a convenient, easily accessible fueling station for operators.



Tire Monitoring System

The digital tire monitoring system shows the tire pressure on an additional display. This feature allows the operator to quickly check pressures and ensure the health and life of the tire is being monitored live.



Seat Belt Indicator

The seat belt indicator ensures safety and compliance for the entire fleet. It uses both audible and visual warnings to remind the operator when the seat belt is not latched.

*Product link compatibility



ATTACHMENTS »

Cat motor grader attachments are engineered and built for maximum performance. Whatever your business – construction, forestry, landscaping, waste and recycling – the right attachment can help provide a total system solution. From snow plows to blades, Cat attachments maximize the power and productivity of your motor grader.



Straight Front Blade

The Cat straight blade is effective for snow removal, grading, land-leveling or dozing. It's available in widths and heights to match virtually any application and machine size.



Manual / Hydraulic Angle Front Blades

In addition to all the benefits of the Cat straight front blade, this product features 30° of hydraulic left- or right-angle capability. That means increased material control during conventional dozing operations.



Fenders

Fenders are used to help prevent mud, snow, and debris build up and to protect your equipment.



Front-Mounted Hydraulic Broom

Cleaning loose rocks or debris covering intersections and roads is quick and easy with this attachment.



Push Block / Counterweight

The Cat push block is mounted to the motor grader nose plate. It acts as both a counterbalance for the rear ripper and as a push point in environments where the motor grader might be used as a push vehicle.



Front Lift Group

The front lift group makes attaching front-mounted work tools to the motor grader quick and easy. Hydraulics and mounting plates may be needed, depending on the configuration of your machine.



Front-Mounted Scarifier

A front scarifier hooks to the front lift group and is normally used for light work. Designed to break up compacted material, asphalt and rocky subgrade, this attachment helps maintain grading.



Mid-Mount Scarifier

A mid mount scarifier has better control of cut depth, improved visibility and ability to fracture harder material. Get the performance and effectiveness you expect with equipment and jobs better suited to a mid mount unit.



Rear Ripper / Scarifier

This rear-frame mounted attachment is used for breaking up hard-packed ground or asphalt aggregates in preparation for grading. The ripper shanks are used for heavy ripping; the scarifier shanks are used for light work where maximum surface fracture is desired.



SNOW SOLUTIONS »

Motor graders are excellent for snow removal, whether equipped with a standard moldboard, snow wings, V Plows or straight blades. Each of these attachments are tailored to different snow removal applications, but all of them help provide the power and safety you need to clear long stretches of road efficiently and effectively.

Cold Weather Package

These kits improve cold weather operation by ensuring machines are able to idle in cold weather for an extended period of time without decreased machine performance.



U/V Angle Blade

The Cat U/V angle blade is the most versatile blade available for a motor grader. It has the capabilities of operating as a straight blade, angle blade, U-blade or V plow. It has auxiliary hydraulics and an optional diverter valve to enable operator-controlled blade changes between all four configurations.



V Plows

The Cat V plow is designed for severe snow clearing applications like opening uncleared roads. The V plow cuts the material and displaces the snow in both directions for maximum high-speed, single-pass snow clearance.



Mastless Snow Wings

Designed to provide maximum visibility in high- or low-speed snow clearing applications, the Cat mastless snow wings excel at clearing and benching drifted snow, especially on shoulders, and ramps up to a 40" bench height.



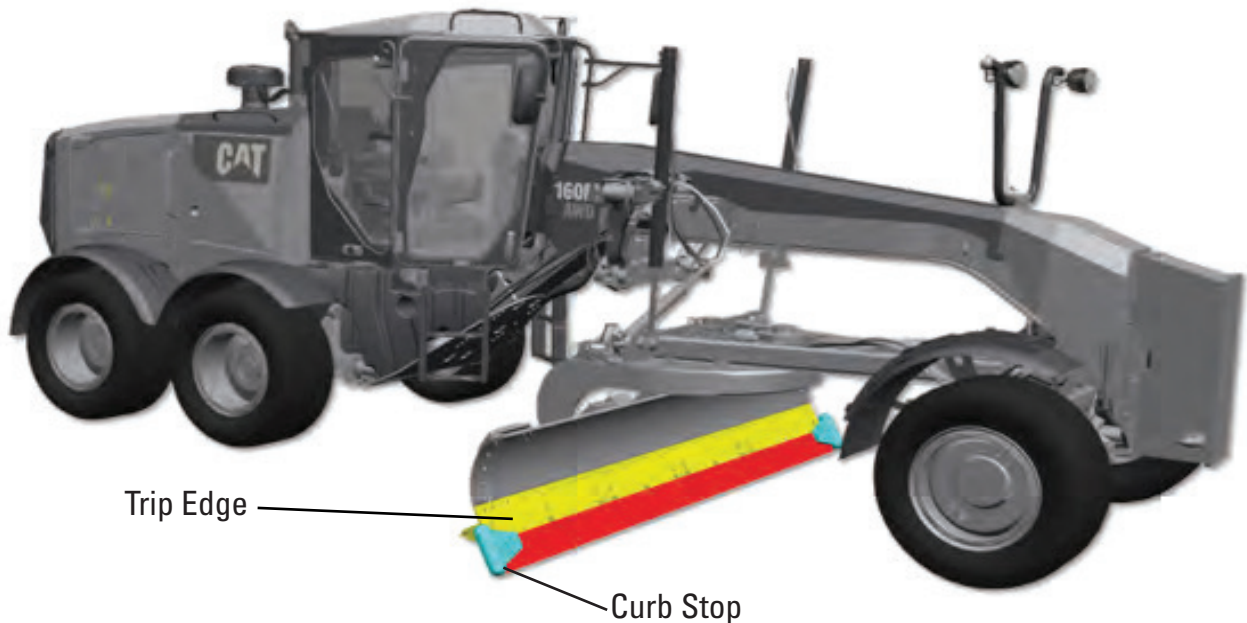
Masted Snow Wing

The Cat masted snow wing is especially effective at clearing and throwing deeply drifted snow. The snow wing is designed to displace material far back from the road to facilitate continued snow displacement.



Curb Stop/Trip Edge

Get the trip functionality of the trip blade with an edge attachment that can be mounted to your existing moldboard.



Straight Front Blade

The Cat straight front blade is effective for snow removal. It's available in widths and heights to match virtually any application and machine size.



Angle Front Blade

In addition to all the benefits of the Cat straight front blade, this product features 30° of hydraulic left-angle or right-angle capability.



Trip Blade

The Cat trip blade curvature increases capacity and allows for maximum productivity in clearing snow. Trip capability protects both the operator and machine when hitting immovable objects is a concern.



Sy-Klone Air Cleaner

You can extend your air filter's life by dramatically reducing the debris that gets through the air intake. That means improved performance and reduced maintenance in heavy snow applications and dusty environments.





PLANNED MAINTENANCE INTERVALS

MOTOR GRADER

Engine
Oil Filter

Air Filter

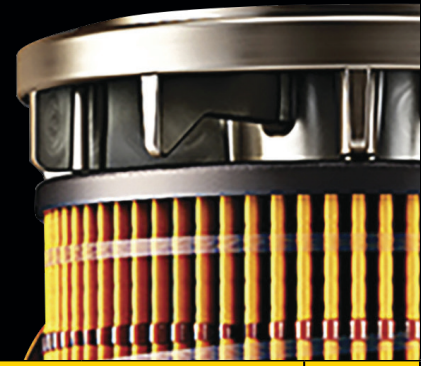
Fuel Filter Change

Transmission /
Lower Power
Train

Sales Model	Serial Number Prefix	Filter Element	Primary Element	Secondary Element	Primary Element	Secondary Element	Tertiary Element	Tandem Breather	Filler Tube Breather
12K/120K/120K2/ 140K/140K2/ 160K	JJA, SZP, JAP, SZN, SVV, SZS, SZZ, JPA, SZL,SZW, JBP, SZM	1R-1807	245-6375	245-6376	326-1644 436-7077*	1R-0762 500-0480*	1R-0762 500-0480*	4H-6112 (2)	183-3873
120M	B9N, B9W, R9A, R9C, B9C	462-1171	256-7902	256-7903	326-1644	299-8229	–	4H-6112 (2)	9G-5127
120M2	R9N, R9W, M9C, M9H, M92	462-1171	386-2099	331-8108	525-6205	479-4131	360-8960	4H-6112 (2)	9G-5127
120	Y9C, Y9D, Y9A, Y9B	462-1171	479-8989	479-8991	525-6205 439-5037*	479-4131	360-8960	4H-6112 (2)	183-3873
	E93, E95, E94, E92, E96, E97	462-1171	479-8989	479-8991	439-5037	360-8960 (2)	–	4H-6112 (2)	183-3873
120GC	W96	462-1171	528-7222	529-0132	360-8960	360-8960	–	4H-6112 (2)	9G-5127
	W98, W9D	462-1171	528-7222	529-0132	360-8960	360-8960	–	4H-6112 (2)	9G-5127
12M/140/140M/ 150/160M	B94, B9D, B9G, D9G, B9M, B55	1R-1807	245-6375	245-6376	326-1644	1R-0762	1R-0762	4H-6112 (2)	9G-5127
12M	B92	1R-1807	245-6375	245-6376	326-1644	1R-0762	–	4H-6112 (2)	9G-5127
12M2/140M2/ 160M2	R9S, F9M, R9P, F9B, R9M, M9D, R9G, M9J, R9L, M9E, R9T, M9K	1R-1808	386-2099	331-8108	326-1643	308-9679	308-9679	4H-6112 (2)	9G-5127

* denotes that a canister style filter to be used on equipment (currently outfitted with canister style filters)

Take care of your motor grader, and it'll take care of you. The list below details your machine's maintenance needs, so you can stay current and minimize downtime.



All Wheel Drive		Cabin Air		Hydraulic Oil/Filter Change			Engine Crank-case	Diesel Exhaust Fluid			Diesel
Filter Element	Filter Element	Fresh Air Element	Recirculating Element	Filter Element	Pilot Filter	Tank Breather Element	Breather Element	DEF Filter Element	In Tank Filter	Manifold Assembly	***DPF Group
337-5270	–	7T-7358	231-4487 (2)	1R-0774	–	–	164-0210	–	–	–	–
337-5270	1G-8878 (2)	149-1912	211-2660	338-3540	1G-8878	9R-9925	273-5711	–	–	–	–
337-5270	389-1076 (2)	149-1912	211-2660	338-3540	389-1076	9R-9925	339-1048	–	–	–	358-3659
337-5270	389-1079	464-8460	505-0158	1R-0774	389-1076	–	347-4119	378-3187	506-5818	528-0549	470-0429
337-5270	389-1079	464-8460	505-0158	1R-0774	–	–	380-9615	–	–	–	–
389-1085	–	7t-7358	231-4487 (2)	1R-0774	–	–	–	–	–	–	–
389-1085	–	7t-7358	231-4487 (2)	1R-0774	–	–	522-7283	378-3187	451-2774	591-3424	–
337-5270	1G-8878 (2)	149-1912	211-2660	338-3540	1G-8878	9R-9925	164-0210	–	–	–	–
337-5270	–	149-1912	211-2660	338-3540	1G-8878	9R-9925	164-0210	–	–	–	–
328-3655	1G-8878 (2)	149-1912	211-2660	338-3540	1G-8878	9R-9925	326-4689	–	–	–	358-3662

PLANNED MAINTENANCE INTERVALS

MOTOR GRADER

Engine Oil Filter

Air Filter

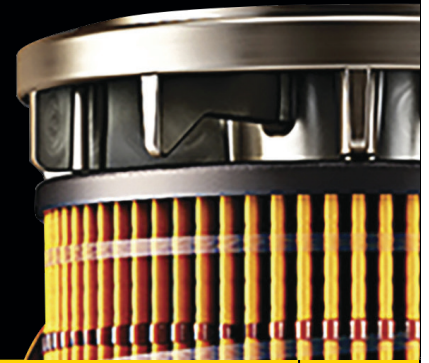
Fuel Filter Change

Transmission / Lower Power Train

Sales Model	Serial Number Prefix	Filter Element	Primary Element	Secondary Element	Primary Element	Secondary Element	Tertiary Element	Tandem Breather	Filler Tube Breather
12M3/140M3/160M3	N9R,N9P,N9F,N9B, N9M,N9D,N9G,N9J, N9L,N9E,N9T	1R-1808 500-0483*	386-2099	331-8108	326-1643 436-7077*	308-9679 500-0480*	308-9679 500-0480*	4H-6112 (2)	9G-5127
140	N94, N95	500-0483	386-2099	331-8108	436-7077	500-0480	500-0480	4H-6112 (2)	183-3873
140/150/160	ENF, EB2, ENH, EB3, ENJ, EB4, ENK, EB5, ENL, EB6, ENM, EB7	500-0483	386-2099	331-8108	436-7077	500-0480	500-0480	4H-6112 (2)	9G-5127
140GC	W92, W93	462-1171	245-6375	245-6376	439-5037	360-8960 (2)	380-9615	522-1860	183-3873
	W94, W95	462-1171	346-6694	346-6693	479-4135	360-8960	525-6205	522-1860	183-3873
	W9E	462-1171	245-6375	245-6376	441-5111	435-6493 (2)	—	522-1860	183-3873
150/160/160M	B56, B57, B9L, B9E, B9T, D9T, B59	1R-1808	245-6375	245-6376	326-1644	1R-0762	1R-0762	4H-6112 (2)	9G-5127
14M	B9J, R9J	1R-1808	380-8941	380-8942	326-1644	1R-0762	1R-0762	4H-6112 (2)	9G-5127
14M3	N9S	1R-1808 500-0483*	386-2099	331-8108	326-1643 436-7077*	1R-0749 500-0480*	1R-0749 500-0480*	4H-6112 (2)	183-3873
	E9S	1R-1808 500-0483*	6I-2505	6I-2506	326-1643 436-7077*	1R-0749 500-0480*	1R-0749 500-0480*	4H-6112 (2)	183-3873
14	EN4	500-0483	386-2099	331-8108	436-7077	500-0480	500-0480	4H-6112 (2)	183-3873
	NN4	500-0483	6I-2505	6I-2506	436-7077	500-0480	500-0480	4H-6112 (2)	183-3873

* denotes that a canister style filter to be used on equipment (currently outfitted with canister style filters)

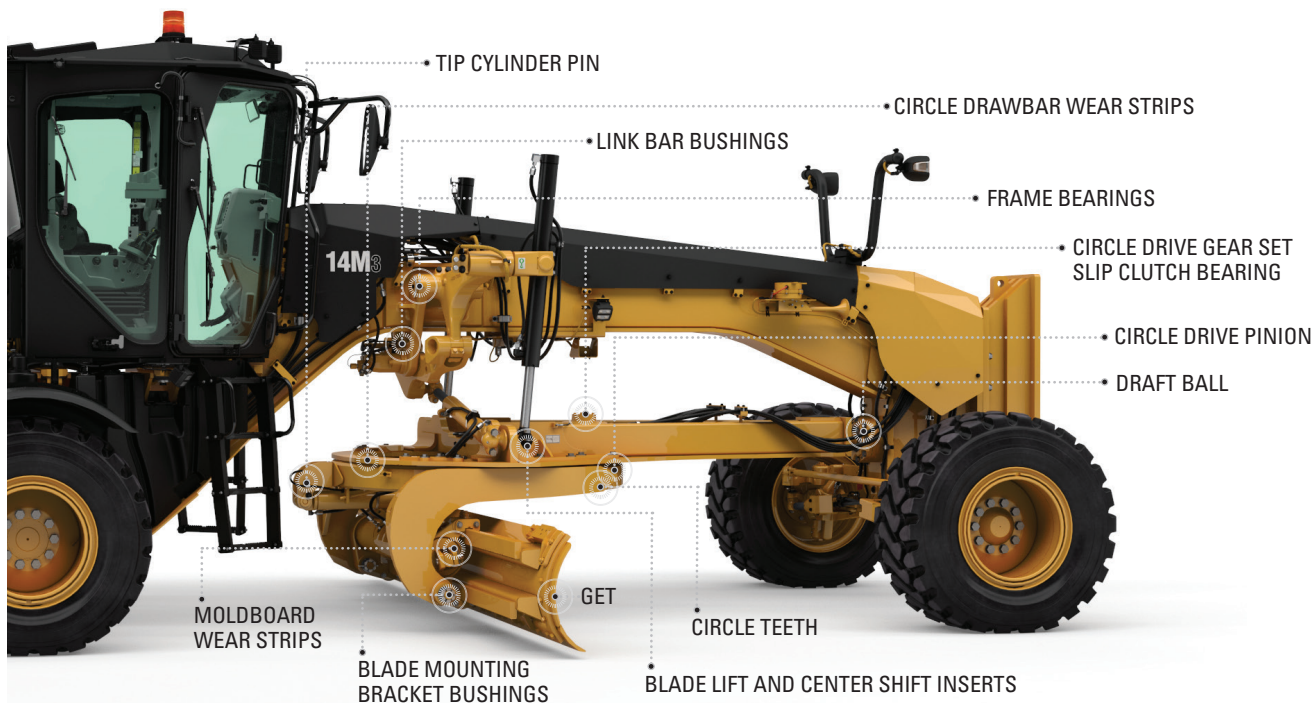
Take care of your motor grader, and it'll take care of you. The list below details your machine's maintenance needs, so you can stay current and minimize downtime.



All Wheel Drive		Cabin Air		Hydraulic Oil/Filter Change			Engine Crankcase	Diesel Exhaust Fluid			Diesel
Filter Element	Filter Element	Fresh Air Element	Recirculating Element	Filter Element	Pilot Filter	Tank Breather Element	Breather Element	DEF Filter Element	In Tank Filter	Manifold Assembly	***DPF Group
337-5270	389-1076 (2)	149-1912	211-2660	338-3540	389-1076	9R-9925	326-4689	378-3187	495-1030	506-5818	390-0679
337-5270	389-1079	7T-7358	231-4486	1R-0774	–	–	582-6323	378-3187	506-5818	528-0526	390-0679
337-5270	389-1076 (2)	149-1912	211-2660	338-3540	389-1076	9R-9925	326-4689	378-3187	506-5818	528-0549	535-7853
554-4809	389-1079	7T-7358	231-4487 (2)	1R-0774	–	–	380-9615	–	–	–	–
389-1085	–	7T-7358	231-4487 (2)	1R-0774	–	–	339-1048	378-3187	495-1028	506-5818	558-9050
389-1085	–	7T-7358	231-4487 (2)	1R-0774	–	–	–	–	–	–	–
337-5270	1G-8878 (2)	149-1912	211-2660	338-3540	1G-8878	9R-9925	240-0041	–	–	–	–
328-3655	–	149-1912	211-2660	338-3540	1G-8878	9R-9925	9Y-4357	–	–	–	–
328-3655	–	149-1912	211-2660	338-3540	389-1076	9R-9925	290-8568	378-3187	506-5818	528-0549	390-0679
328-3655	–	149-1912	211-2660	338-3540	389-1076	9R-9925	290-8568	–	–	–	–
328-3655	–	149-1912	211-2660	338-3540	389-1076	9R-9925	290-8568	378-3187	506-5818	528-0549	535-7853
328-3655	–	149-1912	211-2660	338-3540	389-1076	9R-9925	290-8568	–	–	–	–

WEAR PARTS »

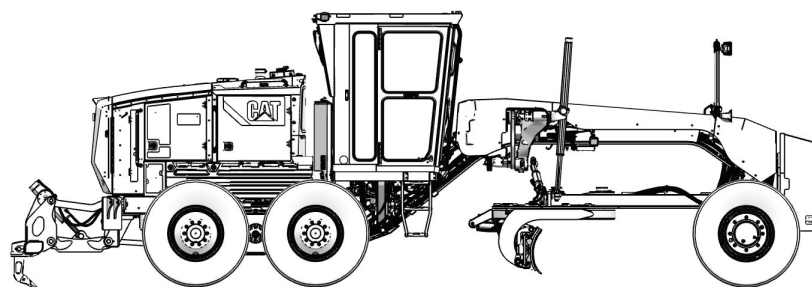
When machines work as hard as Cat motor graders do, there's going to be wear and tear. Replacing and maintaining certain smaller parts can protect and preserve more critical components. Spares for these parts are good to have around, because fixing little problems before they become big ones keeps costs down and productivity up.



STANDARD DRAWBAR	QTY	PART NUMBER	PART DESCRIPTION
Blade Lift Inserts	4	Standard: 279-5267	Blade Lift Inserts
	4	Long Life: 575-5621	Blade Lift Inserts
	8	279-5268	Blade Lift Shims (.5mm)
Circle	11	128-9654	Wear Strip (top of circle)
	6	333-0960	Circle Shoe
	36	6G-1915	Shim (0.25 mm)
	54	6G-1914	Shim (0.76mm)
	4	2A-7089	Bushing
Drawbar	10	8W-1749	End Plates (top & bottom)
	30	8T-4139	Wear Strip Retainer Bolts (12 mm)
	30	7X-3392	Wear Strip Retainer Washers
	30	6H-1717	Wear Strip Retainer Bolts (1/2 inch)
	30	5P-8245	Wear Strip Retainer Washers
Moldboard Wear Strips (MWS)	1	446-1527	MWS - Top Center
	4	446-1524	MWS - Top / Bottom
	4	2G-3221	MWS - Top / Bottom (0.060 in)
	8	2G-3219	MWS - Top / Bottom (0.030 in)
	1	178-8455	MWS - Top Center (0.4 mm)
	1	178-1688	MWS - Top Center (1.8 mm)
	2	178-1686	MWS - Top Center (0.8 mm)
	2	163-6074	MWS - Top (0.381 mm)

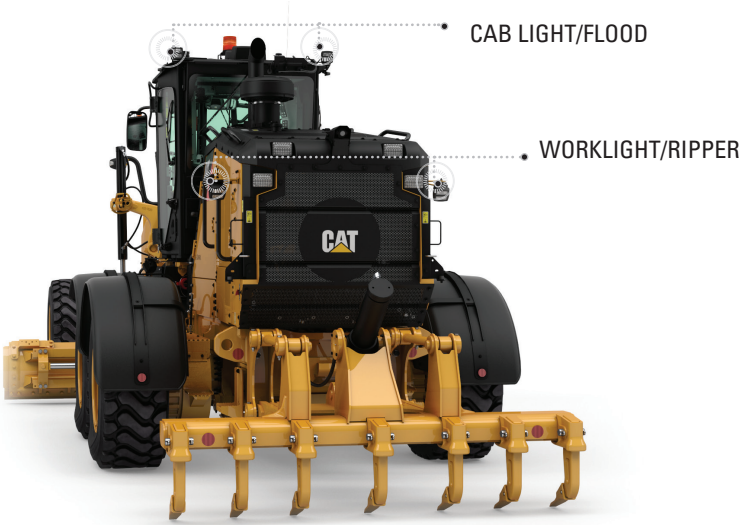
TOP ADJUST DRAWBAR - 4 SHOE			
	QTY	PART NUMBER	PART DESCRIPTION
Blade Lift Inserts	4	Standard: 279-5267	Blade Lift Inserts
	4	Long Life: 575-5621	Blade Lift Inserts
	8	279-5268	Blade Lift Shims (.5mm)
Circle	6	Standard: 307-1966	Wear Strip (top of circle)
	6	Long Life: 613-5157	Wear Strip (top of circle)
	4	333-0960	Circle Shoe
	6	307-1967	Shim (10 mm)
	36	307-1968	Shim (0.5mm)
	6	307-1969	Shim (0.25 mm)
	8	Standard: 467-5183	Bushing
	8	Long Life: 574-2090	Bushing
	Drawbar	4	265-6722
4		243-6652	End Plates (Bottom)
16		285-6125	Wear Strip Retainer Bolts
16		285-6124	Wear Strip Retainer Washers
6		6V-7688	Top Set - Screw Lock Nut
4		283-1578	Top Set - Screw Washer
6		129-2220	Top Set - Screw
Moldboard Wear Strips (MWS)	2	276-1318	MWS - Upper
	2	276-1319	MWS - Upper
	2	446-1526	MWS - Lower
TOP ADJUST DRAWBAR - 6 SHOE			
	QTY	PART NUMBER	PART DESCRIPTION
Blade Lift Inserts	4	Standard: 279-5267	Blade Lift Inserts
	4	Long Life: 575-5621	Blade Lift Inserts
	8	279-5268	Blade Lift Shims (.5mm)
Circle	6	Standard: 302-6338	Wear Strip (top of circle)
	6	Long Life: 608-0933	Wear Strip (top of circle)
	6	333-0960	Circle Shoe
	12	302-6337	Shim (10 mm)
	42	302-6336	Shim (0.5mm)
	12	302-6335	Shim (0.25 mm)
	8	Standard: 467-5183	Bushing
	8	Long Life: 574-2090	Bushing
Drawbar	4	265-6722	End Plates (Top)
	4	243-6652	End Plates (Bottom)
	16	285-6125	Wear Strip Retainer Bolts
	16	285-6124	Wear Strip Retainer Washers
	6	6V-7688	Top Set - Screw Lock Nut
	4	283-1578	Top Set - Screw Washer
	6	129-2220	Top Set - Screw
Moldboard Wear Strips (MWS)	2	276-1318	MWS - Upper
	2	276-1319	MWS - Upper
	2	446-1526	MWS - Lower

14 MOTOR GRADER	QTY	PART NUMBER	PART DESCRIPTION
Blade Lift Inserts	4	Standard: 308-0541	Blade Lift Inserts
	4	Long Life: 575-5623	Blade Lift Inserts
	8	308-0540	Blade Lift Shims (.5mm)
Circle	6	Non Metallic: 302-6331	Wear Strip (top of circle)
	6	Metallic: 352-1002	Wear Strip (top of circle)
	42	185-7115	Shim (.5mm)
	12	257-4932	Shim (0.25 mm)
	6	302-6333	Shim (5 mm)
	6	302-6332	Shim (10 mm)
	6	Non Metallic: 308-6303	Circle Shoe
	6	Metallic: 6G-4372	Circle Shoe
	4	Standard: 8W-4167	Bushing
	4	Long Life: 574-2091	Bushing
	Drawbar	4	269-8248
4		253-4629	End Plates (Lower) (2 Bolt)
16		8C-6854	Wear Strip Retainer Bolts (2 Bolt)
16		285-6124	Wear Strip Retainer Washers (2 Bolt)
4		449-1750	End Plates (Upper) (3 Bolt)
4		449-1751	End Plates (Lower) (3 Bolt)
12		7X-0481	Wear Strip Retainer Bolts (3 Bolt)
24		8T-4223	Wear Strip Retainer Washers (3 Bolt)
12		9X-0941	Wear Strip Retainer Lock Nuts (3 Bolt)
Moldboard Wear Strips (MWS)	2	253-4627	MWS - Upper (2 Bolt)
	2	253-4628	MWS - Upper (2 Bolt)
	2	Standard: 446-1523	MWS - Lower (2 Bolt)
	2	Long Life: 565-6898	MWS - Lower (2 Bolt)
	4	Standard: 446-1523	MWS - Upper/Lower (3 Bolt)
	4	Long Life: 565-6898	MWS - Upper/Lower (3 Bolt)



LED LIGHTS »

Shutting down a machine to change a light bulb may not seem like a big deal, but unexpected downtime is never a good thing. Cat LED work lights don't have filaments that burn out or bulbs that need to be replaced. With more than 40,000 hours of expected life, you can count on them for bright light and increased productivity.



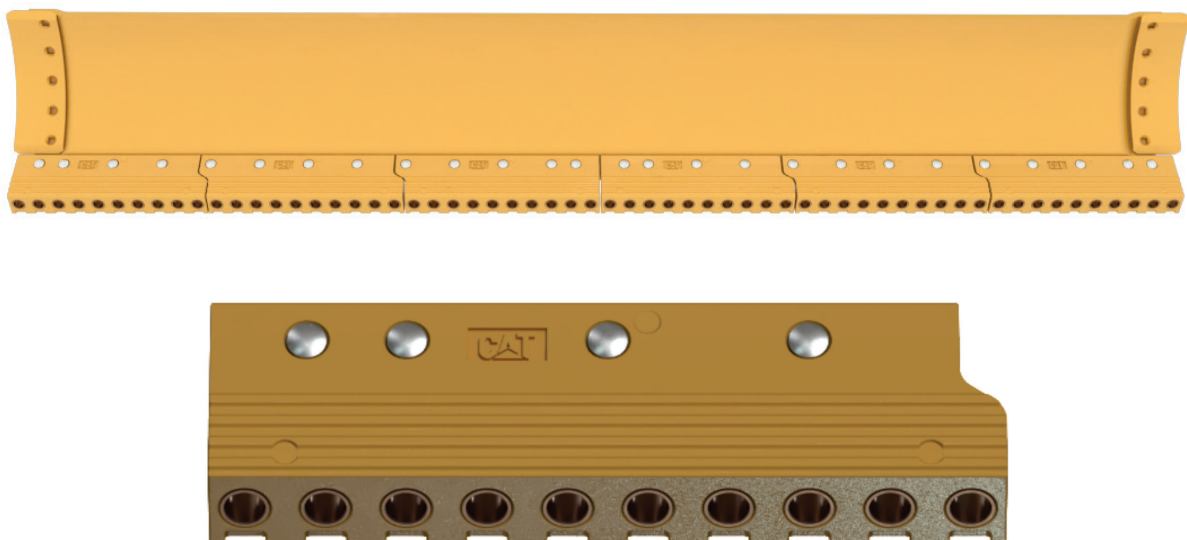
GRADERBIT2™ SYSTEM »

GraderBit2 System is ideal for finish grading, maintaining roadways or reconditioning haul roads. Tungsten carbide cutting bits deliver up to 20x wear life of through-hardened cutting edges. 7 different bit designs can form a continuous edge or 10 serration patterns that allow pass-through of 15 to 60mm aggregate.

CAT GRADERBIT2™ SYSTEM CONFIGURATOR					
PART #	PART NAME	LENGTH	12' MOLDBOARD	14' MOLDBOARD	16' MOLDBOARD
552-8520	Left Hand Adapter Board	2'	2	2	2
552-5821	2' Center Adapter Board	2'	2	0	4
552-5822	3' Center Adapter Board	3'	0	2	0
552-5823	Right Hand Adapter Board	2'	2	2	2
Number of Angling Plates Needed			12	14	16
Number of Bits Needed			60	70	80

Bit boards that are built to perform in your application

Grooves cast into the boards accept weld overlay or material packing in order to extend board wear life, while installing and removing the boards is made easier through pre-drilled lifting eye holes. Adaptor boards feature an off-set design that ensures optimal bolted joint strength and consistent bit placement.



GRADERBIT2™ SYSTEM »

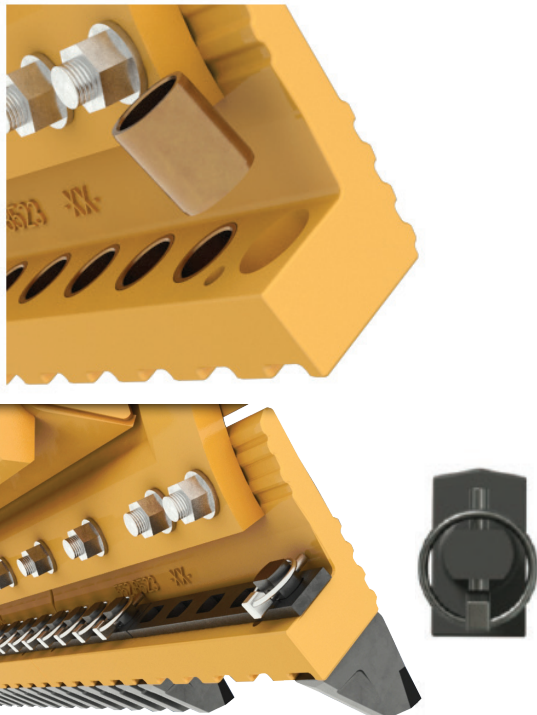
Bits are installed effortlessly with no tools thanks to pull-ring pin that inserts into the bit shaft and locks over the bit. Bit Life is optimized at any cast angle thanks to Angling plates that always keep the bits facing the direction of travel.

ANGLING PLATES			
PART #	DESCRIPTION	ANGLE	LENGTH
552-9410	Angling Plate	0°	1'
552-9411	Angling Plate	5°	1'
552-9412	Angling Plate	10°	1'
552-9413	Angling Plate	15°	1'
552-9414	Angling Plate	20°	1'
552-9415	Angling Plate	25°	1'
552-9416	Angling Plate	30°	1'

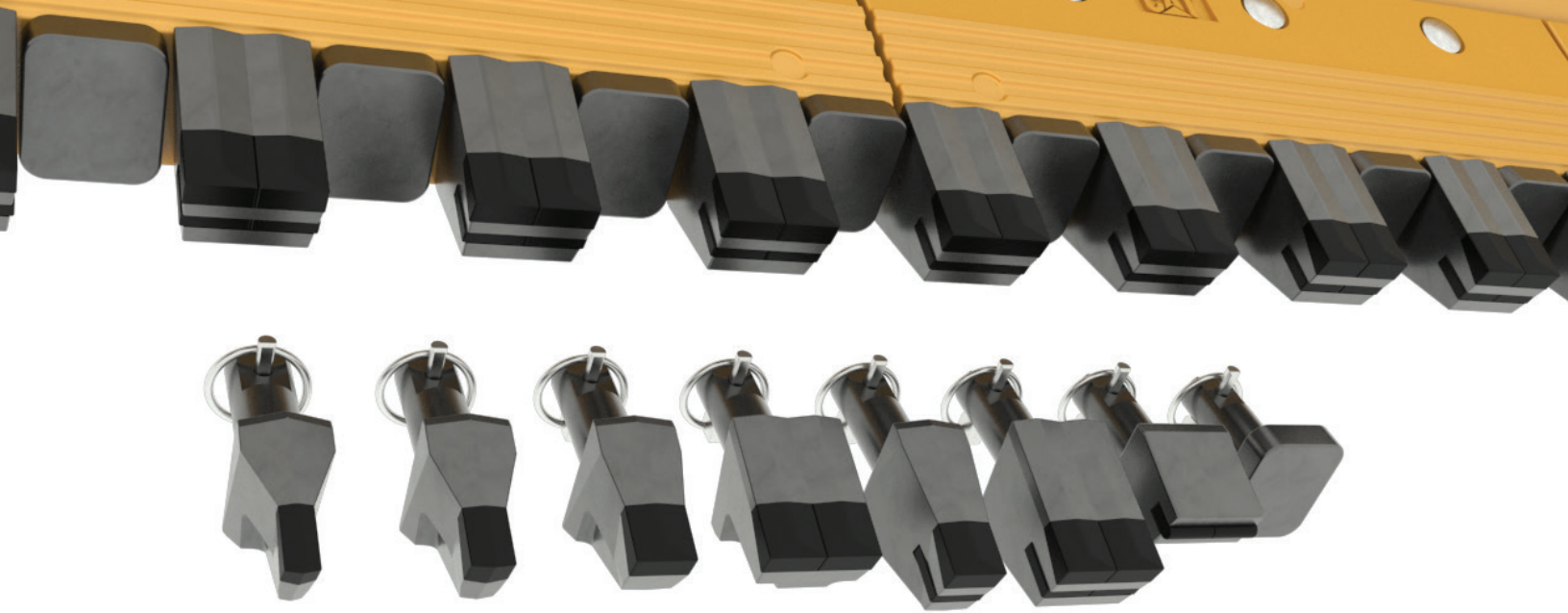
ANGLING PLATES	
PART #	DESCRIPTION
132-3812*	Pull Ring
562-9545	Bearing Sleeve

*For service replacement only. Pull rings are included with bits.

Retention that installs without tools and adjusts to your grading conditions



- Bushings reduce board damage during extreme operations and can be replaced to extend board life
- The bit shaft fits into the angling plate to prevent bits from rotating. 7 plate options allow for a 0 to 30 Blade cast angle in 5 increments.
- The pull-ring pin makes bit installation / removal easy without the need for tools.
- Angle plates keep the carbide facing direction of travel to reduce erosion of the bit body, which can reduce bit life.



7 different bit designs can form a continuous edge or 10 serration patterns that allow pass-through of 15 to 60mm aggregate. Serration patterns remove holes and ridges from compacted surfaces. Wide or SnowBit™ create a continuous edge the system can be used for finish grading.



WIDE

At 63mm wide this bit can be configured as a continuous edge or placed in every other hole for a 2.5" serration pattern.



WIDE MINING

63mm wide & 12mm taller. Imbedded carbide layer adds 72% more carbide to extends bit life.



STANDARD

30mm, this bit offers a serration pattern that will allow aggregate up to 30mm to pass through.



STANDARD MINING

30mm wide & 12mm taller. Imbedded carbide layer adds 72% more carbide to extends bit life.



SHARP

23mm wide, this bit will help break into hard ground while allowing aggregate size to 37mm to pass through.



SNOW BIT™

63mm wide bull nose carbide insert & steel face. This continuous edge system is impact resistant & designed for paved road snow removal.



PENETRATION

Specially design carbide shape that comes to point and a width of 15mm this bit will help break into any surface.



BORE SAVER™

Used to protect adapter board bore holes when not in use.

GRADERBIT2™ SYSTEM »

SERRATION PATTERNS		
AGGREGATE (MM) PASS-THROUGH	BIT CONFIGURATION	BIT WIDTH
0 in / 0 mm	Wide bits across the board	63 mm
0.6 in / 15 mm	Alternate Wide and Standard bits	63 / 30 mm
0.8 in / 20 mm	Alternate Wide and Sharp bits	63 / 23 mm
1 in / 25 mm	Alternate Wide and Penetration bits	63 / 15.5 mm
1.25 in / 32 mm	Standard bits across the board	30 mm
1.35 in / 34 mm	Alternated Standard and Sharp bit	63 / 23 mm
1.5 in / 38 mm	Sharp bits across the board	23 mm
1.5 in / 38 mm	Alternate Standard and Penetration	30 / 15.5 mm
1.65 in / 42 mm	Alternate Sharp and Penetration bits	23 / 15.5 mm
1.8 in / 46 mm	Penetration bits across the board	15.5 mm
1.2 in / 64 mm	Wide bit every other space	63 mm

WIDE - 64 mm SERRATION



SHARP - 38 mm SERRATION



WIDE/PENETRATION - 25 mm SERRATION



WIDE - CONTINUOUS EDGE



SNOWBIT - CONTINUOUS EDGE



12' Blades


5/8" Bolt Holes


Machine Models: 120H, 120GC, 12H, 140H, 140GC

Moldboard Cutting Edges													
Profile	Type	Width Tooth X Gap (mm)	Length	Qty	Hardware	Thickness				End Bits	Hard- ware	Overlay	Hardware
						13mm	16mm	19mm	25mm				
Curved	Standard	6"	6'	2	13	8D-2786	5D-9553	5D-9556	4T-2244	8E-5531	5	9W-1767	4
		8"				8D-2788	5D-9562	5D-9558				9W-1768	4
	General Duty	6"				9W-2297	7T-1633	N/A	N/A				
		8"				9W-2313	7T-1636					7T-1634	
Flat	Standard	8"	6'	2	13	4T-2968	4T-3007	7T-3499	8E-5531	5	N/A	N/A	
		Std. A.R.M.											8"
	Serrated					8" - 51X51	6'	2					

Carbide Edges													
Profile	Type	Width	Length	Qty	Hardware	Thickness				End Bits	Hard- ware	Overlay	Hardware
						13mm	16mm	19mm	25mm				
Curved	Tungsten Carbide	4.75"	2'	6	5			217-4695	8E-5531	5	N/A	N/A	
		6.75"	2'	4	7		208-8862						
	Tung. Carbide Serrated	6.75" - 62X40	2'	6	5		195-7265						
		6.75" - 62X40	3'	4	7		195-7264						
Flat	Tungsten Carbide	6.75"	3'	4	7			195-7260	8E-5531	5	N/A	N/A	
		Carbide Insert	5"	4'	3	9		195-7262					
	Trapezoid		6"	3'	4	5		198-2635					
		6"	3'	4	5		198-2659						
	3'	4	5		275-2478								
	4'	3	6		264-2215								

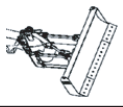
Specialty

Rotating Bit System									
Type	Width	Length	Qty	Hard- ware	Adapter Board	Bits per Board	Shank Size	Bits	Notes
Rotating Bit	5.9"	3'	4	7	308-8574	21	7/8"	571-0532	
		4'	3	9	308-8575	28			
	7.2"	3'	4	7	358-9039	21	1"	571-0533	
		4'	3	9	358-9040	28			

GraderBit2										
Type	Part Number	Name	Length	Hardware	Bits per Board	Adapters per Moldboard	Bit Part Number	Bit Part Name	Width (mm)	Notes
Grader Bit	552-8520	Left Hand Adapter Board	2'	5	10	2	552-8524	Penetration Bit	15	
							552-8525	Sharp Bit	20	
	552-8521	2' Center Adapter Board	2'	4	10	2	552-8526	Standard Bit	30	
							552-8527	Wide Bit	60	
	552-8523	Right Hand Adapter Board	2'	4	10	2	552-8528	Standard Mining Bit	30	
							552-8529	Wide Mining Bit	60	
							560-8840	SnowBit	60	
							563-1186	BoreSaver	-	

Type	Part Number	Angle	Length	Quantity
Angling Plate	552-9410	0°	1'	12
	552-9411	5°		
	552-9412	10°		
	552-9413	15°		
	552-9414	20°		
	552-9415	25°		
552-9416	30°			

Hardware and Wear Protection								
Type	Application	Hardware	Quantity	Bolts	Nuts	Washers	Notes	
Hardware	Standard Edges	Bolts	5/8-11 x 2-1/4	26	3F-5108		Inspect moldboard for excess wear. Ensure moldboard and new edges are free from paint and debris. Torque 5/8" Nuts to 200 +/- 30 ft. lb.	
	Rotating Bits	Bolts	3/4-10 x 2-3/4	24	4F-3657			
	Specialty ¹	Bolts	5/8-11 x 2-3/4 w/ 3/4 head	24	452-8225	4K-0367		5P-8247
	End Bits	Bolts	5/8-11 x 2-1/4	10	3F-5108			
	Overlays	Bolts	3/4-10 x 2-3/4	8	4F-3657			
	Front Blade	Bolts	3/4-10 x 2-1/4	see above	4F-7827	2J-3506		5P-8248
	Extension	Bolts		5	4F-3658			
	Grader Bits	Pull Ring	132-3812	1				
Wear Protection	Moldboard Plate	Bearing Sleeve	562-9545	1				
		13.5" Radius	4D-5820	2				
	16.25" Radius	8W-5265	2					

Auxiliary Blade Cutting Edges										
Profile	Type	Width	Length	Qty	Hardware	Thickness				Notes
						13mm	16mm	19mm	25mm	
Front Mount Blades	9 ft Blade	8"	26"	2	4					uses 3/4" bolts 
			56"	1	9			4T-3010	169-4089	
	8 ft Blade	18.2"	2	3			4T-8353			
61.3"		1	10			4T-2315				
97" Foldable	8"	8"	18.2"	2	3			4T-8353		
			78.8"	1	13			4T-8378		
2' Extension	Curved	8"	24"	1	4			9W-1835		LH: 452-3133 RH: 243-6685
			24"	1	4			109-3137	6G-8623	

Rippers / Scarifiers									
Adapter Size	Shanks		Qty	Tips			Pin	Retainer	Misc
	Type	Part Number		Type	Std	A.R.M.			
Rear Mount J200 ²	Straight	8J-5299	4	Centerline	1U-3202		8E-6208	6E-6209	
				Penetration	1U-3209				
				Sharp	9W-8209				
Rear Mount R300 ³	Straight	9J-6586	2	Penetration	6Y-0309	168-1309	136-8308	114-0359	Repair Nose 8E-7300
				Curved	9J-8913				
Scarifier V-Block ⁴	Standard	7D-7218	1	General Purpose	195-7234		5K-1459	5K-1458	Tip Removal Tool 6B-3260
				Long	195-7219				
Scarifier Straight Block ⁵	Standard	7D-7218	1	High Temp	6Y-5230	143-3074	5K-1459	5K-1458	Tip Removal Tool 6B-3260
				Long	195-7219				

¹3/4" Bolt Holes - requires special bolts 452-8225

²Used on 120H, 135H

³Used on 12H, 140H, 143H

⁴Front Notched

⁵Rear Notched

12' Blades


3/4" Bolt Holes


Machine Models: 120K, 12K, 120 GC, 120M, 12M, 140, 140K, 140GC, 140M, 150, 160, 160M

Moldboard Cutting Edges																		
Profile	Type	Width Tooth X Gap (mm)	Length	Qty	Hardware	Thickness				End Bits	Hard- ware	Overlay	Hardware					
						13mm	16mm	19mm	25mm									
Curved	Standard	6"	6'	2	13	9J-3660	9J-3657			8E-5529	5	232-2142 ¹	4					
		8"					9J-7701	7D-1576	4T-2231			6Y-2805	4					
	General Duty	6"																
		8"																
		8" - 36X25				6'	2	13										
Serrated	8" - 62X40	2'	6	5							N/A	N/A						
	8" - 62X40	3'	4	5														
	8" - 62X40	3'	4	5														
Flat	Standard	8"	6'	2	13													
		10"																
	Serrated	8" - 12X62				4'	3	9										

Carbide Edges													
Curved	Tungsten Carbide	4.75"	2'	6	5				208-8863	8E-5529	5	135-9369	4
			3'	4	7			217-4698					
			2'	6	5			195-7266					
		6.75"	3'	4	7			195-7267					
			4'	3	9			208-8866					
			2'	6	5			208-8865					
Tung. Carbide Serrated	6.75" - 62X40	3'	4	7				217-4697			N/A	N/A	
	6.75" - 62X40	3'	4	7									
	5"	4	3	6				283-1063					
Flat	Carbide Insert	6"	3'	4	5				330-9491			N/A	N/A
			4'	3	6				286-3148				
			4'	3	6								

Specialty

Rotating Bit System										
Type	Width	Length	Qty	Hard- ware	Adapter Board	Bits per Board	Shank Size	Bits	Notes	
Rotating Bit	5.9"	3'	4	7	307-2613	21	7/8"	571-5032		
		4'	3	9	307-2615	28				
	7.2"	3'	4	7	323-1251	21	1"	571-0533		
		4'	3	9	321-4272	28				

GraderBit2										
Type	Part Number	Name	Length	Hardware	Bits per Board	Adapters per Moldboard	Bit Part Number	Bit Part Name	Width (mm)	Notes
Grader Bit	552-8520	Left Hand Adapter Board	2'	5	10	2	552-8524	Penetration Bit	15	
							552-8525	Sharp Bit	20	
	552-8521	2' Center Adapter Board	2'	4	10	2	552-8526	Standard Bit	30	
							552-8527	Wide Bit	60	
	552-8523	Right Hand Adapter Board	2'	4	10	2	552-8528	Standard Mining Bit	30	
							552-8529	Wide Mining Bit	60	
							560-8840	SnowBit	60	
							563-1186	BoreSaver	-	

Type	Part Number	Angle	Length	Quantity
Angling Plate	552-9410	0°	1'	12
	552-9411	5°		
	552-9412	10°		
	552-9413	15°		
	552-9414	20°		
	552-9415	25°		
	552-9416	30°		

Hardware and Wear Protection										
Type	Application	Hardware	Quantity	Quantity	Quantity	Quantity	Quantity	Quantity	Quantity	Notes
Hardware	Standard Edges	Bolts	3/4-10 x 2-1/2	26	5J-4773	2J-3506	5P-8248			Inspect moldboard for excess wear. Ensure moldboard and new edges are free from paint and debris. Torque 3/4" Nuts to 350 +/- 45 ft. lb.
	Specialty	Bolts	3/4-10 x 2-3/4	23	5J-4771					
	End Bits	Bolts	3/4-10 x 2-1/2	10	5J-4773					
	Overlays	Bolts	3/4-10 x 3-3/4	8	5F-8933					
	Front Blade	Bolts	3/4-10 x 2-1/4	17	4F-7827					
	Extension	Bolts	3/4-10 x 2-1/4	4	5J-4773					
	Grader Bits	Pull Ring	132-3812	1						
	Grader Bits	Bearing Sleeve	562-9545	1						
Wear Protection	Moldboard Plate	13.5" Radius	4D-5820	2						
		16.25" Radius	8W-5265	2						


Auxiliary Blade Cutting Edges										
Profile	Type	Width	Length	Qty	Hardware	Thickness				Notes
						13mm	16mm	19mm	25mm	
Front Mount Blades	9 ft Blade	8"	26"	2	4				4T-3010	
			56"	1	9				169-4089	
2' Extension	Curved	6"	24"	1	4				232-2146	LH: 452-3133
		8"	24"	1	4				3G-2166	3G-2165


Rippers / Scarifiers										
Adapter Size	Shanks		Part Number	Contact your dealer for custom cutting edge combinations.	Tips			Pin	Retainer	Misc
	Type	Part Number			Type	Std	A.R.M.			
Rear Mount R300	Straight	9J-6586			Penetration	6Y-0309	168-1309	136-8308	114-0359	Repair Nose 8E-7300
	Curved	9J-8913			Sharp	9W-7309				
Scarifier V-Block ⁴	Standard	195-7218			General Purpose	195-7234		5K-1459	5K-1458	Tip Removal Tool 6B-3260
	Long	7D-4501			High Temp	6Y-5230	143-3074			
Scarifier Straight Block ⁵	Standard	195-7219			General Purpose	195-7234				
	Long				High Temp	6Y-5230	143-3074			

¹For 6" edges used on 120M, 140M, 12M, 160M

⁴Front Notched


⁵Rear Notched

Profile	Type	Width Tooth X Gap (mm)	Length	Qty	Hardware	Moldboard Cutting Edges				End Bits	Hard- ware	Overlay	Hardware
						Thickness							
						13mm	16mm	19mm	25mm				
Curved	Standard	8"	6'	1	13	8D-2788	5D-9562	5D-9558	4T-2244		5	N/A	N/A
			7'	1	15	8D-2789	5D-9561	5D-9559	4T-2242				
	General Duty	8"	6'	1	8	9W-2297	7T-1633						
			7'	1	9	9W-2299	7T-1645						
	Serrated	8" - 36X25	6'	1	8	9W-2313	7T-1636	7T-1634					
			7'	1	9	9W-2315	7T-1643	7T-1623					
Flat	Standard	8"	6'	1	13		4T-2968	4T-3007	7T-3499	N/A	N/A		
			7'	1	15		4T-2969	4T-3036	7T-3498				
Serrated	8" - 24X51	8" - 28X51	6'	1	13			350-0179					
			7'	1	15			350-0181					


Carbide Edges													
Curved	Tungsten Carbide	4.75"	2'	2	5				208-8863		5	135-9345	4
		3'	3	7			217-4698	135-9346	4				
	6.75"	3'	3	7			195-7265						
	4'	1	9			195-7264							
Tung. Carbide Serrated	6.75" - 62X40	2'	2	5				208-8864	N/A	N/A			
		3'	3	7			217-4696						
Flat	Tungsten Carbide	6.75"	3'	3	7			195-7260	N/A	N/A			
			4'	1	9			195-7262					
	Carbide Insert	5"	3'	3	5			198-2635					
		6"	4'	1	6			198-2659					
Trapezoid	6"	3'	3	5			275-2478	264-2215					
		4'	1	6									

Flat

Rotating Bit System

Type	Width	Length	Qty	Hardware	Adapter Board	Bits per Board	Shank Size	Bits	Notes
Rotating Bit	5.9"	3'	3	7	308-8574	21	7/8"	571-0532	
		4'	1	9	308-8575	28			
	7.2"	3'	3	7	358-9039	21	1"	571-0533	
		4'	1	9	358-9040	28			

GraderBit2

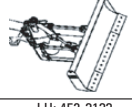
Type	Part Number	Name	Length	Hardware	Bits per Board	Adapters per Moldboard	Bit Part Number	Bit Part Name	Width (mm)	Notes
Grader Bit	552-8520	Left Hand Adapter Board	2'	5	10	2	552-8524	Penetration Bit	15	
							552-8525	Sharp Bit	20	
	552-8521	2' Center Adapter Board	2'	4	10	1	552-8526	Standard Bit	30	
							552-8527	Wide Bit	60	
	552-8522	3' Center Adapter Board	3'	6	15	1	552-8528	Standard Mining Bit	30	
							552-8529	Wide Mining Bit	60	
	552-8523	Right Hand Adapter Board	2'	4	10	2	560-8840	SnowBit	60	
							563-1186	BoreSaver	-	

Type	Part Number	Angle	Length	Quantity
Angling Plate	552-9410	0°	1'	13
	552-9411	5°		
	552-9412	10°		
	552-9413	15°		
	552-9414	20°		
	552-9415	25°		
552-9416	30°			

Hardware and Wear Protection

Type	Application	Hardware	Quantity	Bolts	Nuts	Washers	Notes
Hardware	Standard Edges	Bolts	28	5/8-11 x 2-1/4	3F-5108		Inspect moldboard for excess wear. Ensure moldboard and new edges are free from paint and debris. Torque 5/8 Nuts to 200 +/- 30 ft. lb.
	Rotating Bits	Bolts	24	3/4-10 x 2-3/4	4F-3657		
	Specialty ¹	Bolts	24	5/8-11 x 2-3/4 w/ 3/4 head	452-8225	4K-0367	
	End Bits	Bolts	10	5/8-11 x 2-1/4	3F-5108		
	Overlays	Bolts	8	3/4-10 x 2-3/4	4F-3657		
	Front Blade	Bolts	see above	3/4-10 x 2-1/4	4F-7827	2J-3506	
	Extension	Bolts	4		4F-3658		
	Grader Bits	Pull Ring	132-3812	1			
Wear Protection	Moldboard Plate	Bearing Sleeve	562-9545	1			
		13.5" Radius	6'	4D-5820	1		
		16.25" Radius	6'	8W-5265	1		
		13.5" Radius	7'	4D-5821	1		
16.25" Radius	7'	8W-5266	1				

Auxiliary Blade Cutting Edges

Profile	Type	Width	Length	Qty	Hardware	Thickness				Notes
						13mm	16mm	19mm	25mm	
Front Mount Blades	9 ft Blade	8"	26"	2	4			4T-3010		uses 3/4" bolts 
			56"	1	9			169-4089		
	8 ft Blade	8"	18.2"	2	3			4T-8353		
97" Foldable	8"	61.3"	1	10			4T-2315			
		18.2"	2	3			4T-8353			
2' Extension	Curved	8"	78.8"	1	13			4T-8378		
			6"	1	4			9W-1835		
			24"	1	4			109-3137	6G-8623	LH: 452-3133 RH: 243-6685

Rippers / Scarifiers

Adapter Size	Shanks		Tips	Pin	Retainer	Misc
	Type	Part Number				
Rear Mount J200 ²	Straight	8J-5299	Centerline	1U-3202	8E-6208	6E-6209
			Penetration	1U-3209		
			Sharp	9W-8209		
Rear Mount R300 ³	Straight	9J-6586	Penetration	6Y-0309	168-1309	Repair Nose 8E-7300
			Curved	9J-8913	9W-7309	
Scarifier V-Block ⁴	Standard	195-7218	General Purpose	195-7234	136-8308	114-0359
			Long	7D-4501		
Scarifier Straight Block ⁵	Standard	195-7219	General Purpose	195-7234	5K-1459	5K-1458
			Long	7D-4501		

Don't see what you need? Ask about our MAO program.

¹3/4" Bolt Holes - requires special bolts 452-8225

²Used on 120H, 135H

³Used on 12H, 140H, 143H, 14H, 160H, 163H

⁴Front Notched

⁵Rear Notched

14' Blades


5/8" Bolt Holes


Machine Models: 120H, 12H, 120GC, 140H, 140GC

Moldboard Cutting Edges														
Profile	Type	Width Tooth X Gap (mm)	Length	Qty	Hardware	Thickness				End Bits	Hard- ware	Overlay	Hardware	
						16mm	19mm	25mm	35mm					
Curved	Standard	6"	7'	2	15	5D-9554	5D-9557			8E-5531	5	9W-1767	4	
		8"				5D-9561	5D-9559	4T-2242				9W-1768	4	
	General Duty	6"			7T-1645 ⁶								N/A	N/A
		8"			7T-1643 ⁶	7T-1623 ⁶								
Serrated	8" - 36X25 (Inter Teeth) (Long Teeth)			15			4Z-9020	399-2790 274-3709 217-4823						
Flat	Standard	8"	7'	2	15	4T-2969	4T-3036	7T-3498		8E-5531	5	N/A	N/A	
	Serrated	8" - 51x26					15		350-0181					

Carbide Edges													
Curved	Tungsten Carbide	4.75"	2'	4	5		217-4695			8E-5531	5	135-9345	4
		6.75"	3'	2	7		208-8862					135-9346	4
	Tung. Carbide Serrated	6.75" - 62X40	2'	4	5		195-7265					N/A	N/A
		6.75" - 62X40	3'	2	7		195-7264						
Flat	Tungsten Carbide	6.75"	3'	2	7		195-7260			8E-5531	5	N/A	N/A
			4'	2	9		195-7262						
	Carbide Insert	5"	3'	2	5		198-2635 ⁶					N/A	N/A
			4'	2	6		198-2659 ⁶						
		6"	3'	2	5		275-2478 ⁶						
			4'	2	6		264-2215 ⁶						

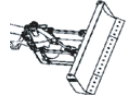
Specialty

Rotating Bit System										Notes
Type	Width	Length	Qty	Hard- ware	Adapter Board	Bits per Board	Shank Size	Bits		
Rotating Bit	5.9"	3'	2	7	308-8574	21	7/8"	571-0532		
		4'	2	9	308-8575	28				
	7.2"	3'	2	7	358-9039	21	1"	571-0533		
		4'	2	9	358-9040	28				

GraderBit2										
Type	Part Number	Name	Length	Hardware	Bits per Board	Adapters per Moldboard	Bit Part Number	Bit Part Name	Width (mm)	Notes
Grader Bit	552-8520	Left Hand Adapter Board	2'	5	10	2	552-8524	Penetration Bit	15	
							552-8525	Sharp Bit	20	
							552-8526	Standard Bit	30	
							552-8527	Wide Bit	60	
	552-8522	3' Center Adapter Board	3'	6	15	2	552-8528	Standard Mining Bit	30	
							552-8529	Wide Mining Bit	60	
552-8523	Right Hand Adapter Board	2'	4	10	2	560-8840	SnowBit	60		
						563-1186	BoreSaver	-		

Type	Part Number	Name	Length	Hardware	Bits per Board	Adapters per Moldboard	Bit Part Number	Bit Part Name	Width (mm)	Notes
Angling Plate	552-9410	552-9411	552-9412	552-9413	552-9414	552-9415	552-9416	0°	1'	14
								5°		
								10°		
								15°		
								20°		
								25°		
								30°		

Hardware and Wear Protection											
Type	Application	Hardware	Quantity	Bolts	Nuts	Washers	Notes				
Hardware	Standard Edges	Bolts	5/8-11 x 2-1/4	30	3F-5108		4K-0367	5P-8247	Inspect moldboard for excess wear Ensure moldboard and new edges are free from paint and debris. Torque 5/8" Nuts to 200 +/- 30 ft. lb.		
	Rotating Bits	Bolts	3/4-10 x 2-3/4	28	4F-3657						
	Specialty ¹	Bolts	5/8-11 x 2-3/4 w/ 3/4 head	30	452-8225						
	End Bits	Bolts	5/8-11 x 2-1/4	10	3F-5108						
	Overlays	Bolts	3/4-10 x 2-3/4	8	4F-3657						
	Front Blade	Bolts	3/4-10 x 2-1/4	see above	4F-7827	2J-3506					5P-8248
	Extension	Bolts		4	4F-3658						
Wear Protection	Moldboard Plate	Pull Ring	132-3812	1							
		Bearing Sleeve	562-9545	1							
		13.5" Radius	4D-5821	2							
	16.25" Radius	8W-5266	2								

Auxiliary Blade Cutting Edges										
Profile	Type	Width	Length	Qty	Hardware	Thickness				Notes
						13mm	16mm	19mm	25mm	
Front Mount Blades	9 ft Blade	8"	26"	2	4					uses 3/4" bolts 
			56"	1	9					
	8 ft Blade	18.2"	2	3						
61.3"		1	10							
97" Foldable	8"	18.2"	2	3						
		78.8"	1	13						
2' Extension	Curved	8"	24"	1	4			9W-1835		LH: 452-3133 RH: 243-6685
			24"	1	4			109-3137	6G-8623	

Rippers / Scarifiers										
Adapter Size	Shanks		Notes	Tips			Pin	Retainer	Misc	
	Type	Part Number		Type	Std	A.R.M.				
Rear Mount J200 ²	Straight	8J-5299	Did you know? Edges with 5/8" bolt holes can be used with 3/4" moldboards. Use bushings: 7/8" - 280-4070 1" - 280-4071	Centerline	1U-3202		8E-6208	6E-6209		
				Penetration	1U-3209					
Rear Mount R300 ³	Straight	9J-6586		Sharp	9W-8209		136-8308	114-0359	Repair Nose 8E-7300	
				Penetration	6Y-0309	168-1309				
Scarifier V-Block ⁴	Standard	195-7218		Sharp	9W-7309		5K-1459	5K-1458	Tip Removal Tool 6B-3260	
				General Purpose	195-7234					
Scarifier Straight Block ⁴	Long	7D-4501		High Temp	6Y-5230	143-3074				
				Standard	195-7219					
	Long			General Purpose	195-7234					
				High Temp	6Y-5230	143-3074				


14' Blades


3/4" Bolt Holes

Machine Models: 120k, 12K, 120GC, 120M, 12M, 140, 14, 140H, 14H, 140GC, 140M, 14M, 150, 160, 160H, 160K, 160M

Moldboard Cutting Edges													
Profile	Type	Width Tooth X Gap (mm)	Length	Qty	Hardware	Thickness				End Bits	Hard-ware	Overlay	Hardware
						16mm	19mm	25mm	35mm				
Curved	Standard	6"	7'	2	15	9J-3658				8E-5529	5	6Y-2805	4
		8"				7D-1158	7D-1577	4T-2233					
	General Duty	6"											
		8"				7T-1626							
	Serrated	8" - 36X25					283-1068	311-7674					
		8" - 51X26					350-7200						
Flat	Standard	8" - 62X40		217-4833							N/A	N/A	
		8" - 60x32			350-7201								
	Serrated	8"	4T-2970	4T-3032	7T-3494								
		10"				4T-6508	4T-8316						
		11"					140-6790						
		8" - 51X26				350-0180							
10" - 56X33					4Z-8055	4Z-8346							

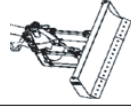
Carbide Edges													
Curved	Tungsten Carbide	4.75"	2'	4	5		208-8863			8E-5529	5	135-9369	4
			3'	2	7		217-4698						
		6.75"	3'	2	7		217-4699					135-9370	4
	Tung. Carbide Serrated	6.75" - 62X40	2'	4	5			208-8865					
		6.75" - 62X40	3'	2	7			217-4697					
	Flat	Carbide Insert	6"	3'	5	5		330-9491					
			4'	2	6		286-3148						

Specialty Rotating Bit System													
Type	Width	Length	Qty	Hard-ware	Adapter Board	Bits per Board	Shank Size	Bits	Notes				
Rotating Bit	5.9"	3'	2	7	307-2613	21	7/8"	571-0532					
		4'	2	9	307-2615	28							
	7.2"	3'	2	7	323-1251	21	1"	571-0533					
		4'	2	9	321-4272	28							

GraderBit2													
Type	Part Number	Name	Length	Hardware	Bits per Board	Adapters per Moldboard	Bit Part Number	Bit Part Name	Width (mm)	Notes			
Grader Bit	552-8520	Left Hand Adapter Board	2'	5	10	2	552-8524	Penetration Bit	15				
							552-8525	Sharp Bit	20				
							552-8526	Standard Bit	30				
	552-8527	Wide Bit	60										
	552-8522	3' Center Adapter Board	3'	6	15	2	552-8528	Standard Mining Bit	30				
							552-8529	Wide Mining Bit	60				
552-8523	Right Hand Adapter Board	2'	4	10	2	560-8840	SnowBit	60					
						563-1186	BoreSaver	-					

Type	Part Number	Angle	Length	Quantity
Angling Plate	552-9410	0°	1'	14
	552-9411	5°		
	552-9412	10°		
	552-9413	15°		
	552-9414	20°		
	552-9415	25°		
	552-9416	30°		

Hardware and Wear Protection														
Type	Application	Hardware	Quantity	Bolts	Nuts	Washers	Notes							
Hardware	Standard Edges	Bolts	3/4-10 x 2-1/2	30	5J-4773	2J-3506	5P-8248	Inspect moldboard for excess wear. Ensure moldboard and new edges are free from paint and debris. Torque 3/4" Nuts to 350 +/- 45 ft. lb.						
	Specialty	Bolts	3/4-10 x 2-3/4	30	5J-4771									
	End Bits	Bolts	3/4-10 x 2-1/2	10	5J-4773									
	Overlays	Bolts	3/4-10 x 3-3/4	8	5F-8933									
	Front Blade	Bolts	3/4-10 x 2-1/4	see above	4F-7827									
	Extension	Bolts	3/4-10 x 2-1/4	4	5J-4773									
	Grader Bits	Pull Ring	132-3812	1										
Wear Protection	Moldboard Plate	Bearing Sleeve	562-9545	1										
		13.5" Radius	4D-5821	2										
		16.25" Radius	8W-5266	2										

Auxiliary Blade Cutting Edges													
Profile	Type	Width	Length	Qty	Hardware	Thickness			Notes				
						13mm	16mm	19mm					
Front Mount Blades	9 ft Blade	8"	26"	2	4			4T-3010	uses 3/4" bolts 				
			56"	1	9			169-4089					
	8 ft Blade	8"	18.2"	2	3			4T-8353					
61.3"			1	10			4T-2315						
9'7" Foldable	8"	18.2"	2	3			4T-8353						
		78.8"	1	13			4T-8378						
2' Extension	Curved	6"	24"	1	4		3G-2166	3G-2165	LH: 265-6743 RH: 265-6744				

Rippers / Scarifiers													
Adapter Size	Shanks		Type	Std	A.R.M.	Pin	Retainer	Misc					
	Type	Part Number											
Rear Mount R300	Straight	9J-6586	Penetration	6Y-0309	168-1309	136-8308	114-0359	Repair Nose 8E-7300					
	Curved	9J-8913		9W-7309									
Scarifier V-Block ⁴	Standard	195-7218	General Purpose	195-7234		5K-1459	5K-1458	Tip Removal Tool 6B-3260					
	Long	7D-4501		6Y-5230	143-3074								
Scarifier Straight Block ⁴	Standard	195-7219	General Purpose	195-7234		5K-1459	5K-1458	Tip Removal Tool 6B-3260					
	Long			6Y-5230	143-3074								

¹3/4" Bolt Holes - requires special bolts 452-8225

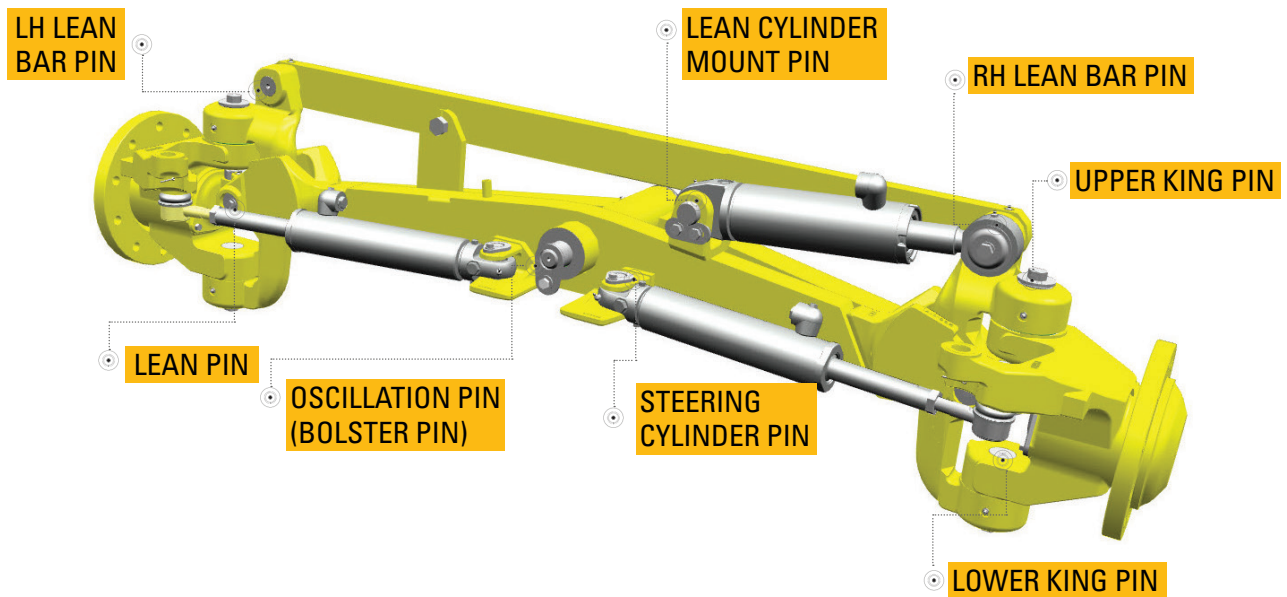
²Used on 12H, 140H, 143H

³Rear Notched
⁴Front Notched
⁵12" Bolt Hole Spacing

LINKAGE PINS »

Motor graders clear the way for machines and vehicles in all kinds of conditions. From grading dirt and gravel to snow removal, components take on tough materials. That's why inspection and maintenance are so important. It's no secret that the longer parts last, the stronger your bottom line. That's why regular inspections, maintenance and proper replacement are critically important. You may not see it, but you could be ruining your pins. Poor maintenance can cost machine downtime for services that could have been avoided. Cat® linkage pins and bearings are designed to meet strict standards and are quality tested to ensure more time between replacements, which means less downtime and more savings in the long run.

Steering Axle Pins

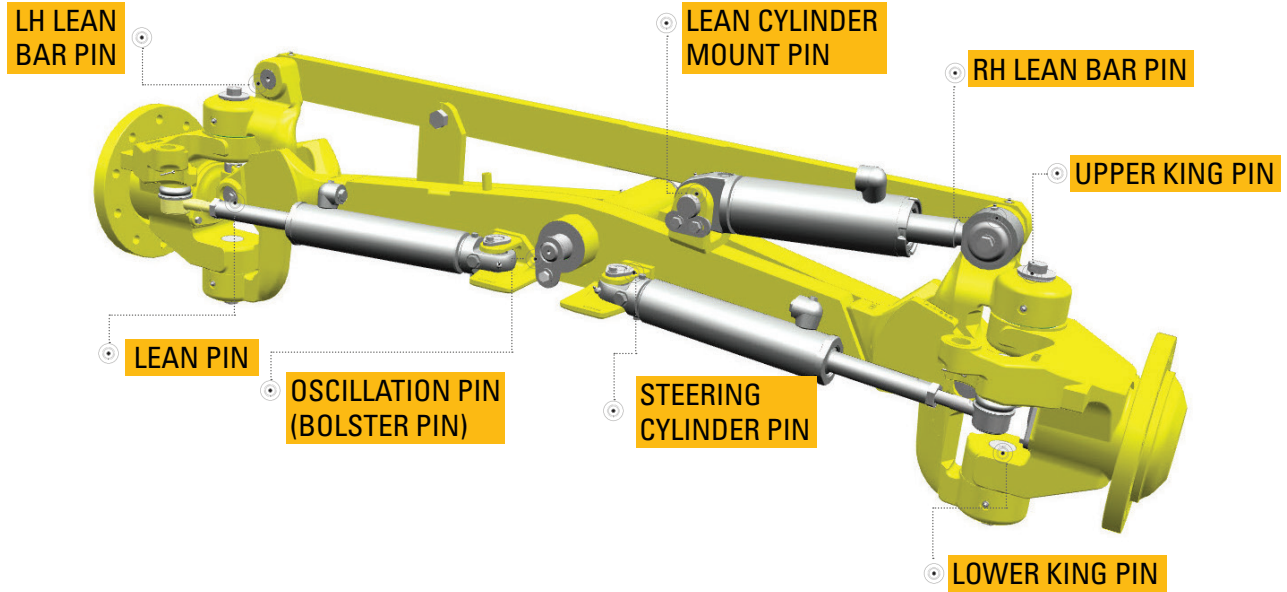


STEERING AXLE PIN																								
SALES MODEL	LH Lean Bar Pin			Lean Cylinder Mount Pin			RH Lean Bar Pin			Upper King Pin			Lower King Pin		Oscillation Pin (Bolster Pin)		Lean Pin		Steering Cylinder Pin					
	QTY	Part Number	Part Description	QTY	Part Number	Part Description	QTY	Part Number	Part Description	QTY	Part Number	Part Description	QTY	Part Number	Part Description	QTY	Part Number	Part Description	QTY	Part Number	Part Description			
12M	1	279-4355	Pin	1	264-9726	Pin	1	279-4356	Pin	2	257-9799	Pin	2	257-9799	Pin	1	264-1180	Pin	2	260-7486	Pin	2	257-2758	Pin
	1	2G-8624	Bushing	1	2G-8631	Bearing	1	2G-8624	Bushing	2	146-1842	Bushing	2	146-1843	Bushing	2	131-4428	Bushing	4	2G-8631	Bushing	2	2D-8652	Bearing
	2	7K-9202	Seal	2	7K-9202	Seal	1	2G-8631	Bushing	2	2G-8777	Seal	2	2G-8777	Seal	2	5P-8843	Seal	4	7K-9202	Seal	-	-	-
	-	-	-	-	-	-	4	7K-9202	Seal	2	9M-2092	Seal-o-Ring	2	5P-8890	Seal	-	-	-	-	-	-	-	-	-
12M2	1	279-4355	Pin	1	264-9726	Pin	1	279-4356	Pin	2	257-9799	Pin	2	257-9799	Pin	1	264-1180	Pin	2	260-7486	Pin	2	257-2758	Pin
	1	2G-8624	Bushing	1	2G-8631	Bearing	1	2G-8624	Bushing	2	146-1842	Bushing	2	146-1843	Bushing	2	131-4428	Bushing	4	2G-8631	Bushing	2	2D-8652	Bearing
	2	7K-9202	Seal	2	7K-9202	Seal	1	2G-8631	Bushing	2	2G-8777	Seal	2	2G-8777	Seal	2	5P-8843	Seal	4	7K-9202	Seal	-	-	-
	-	-	-	-	-	-	4	7K-9202	Seal	2	9M-2092	Seal-o-Ring	2	5P-8890	Seal	-	-	-	-	-	-	-	-	-
12M3	1	279-4355	Pin	1	264-9726	Pin	1	279-4356	Pin	2	257-9799	Pin	2	257-9799	Pin	1	264-1180	Pin	2	260-7486	Pin	2	257-2758	Pin
	1	2G-8624	Bushing	1	2G-8631	Bearing	1	2G-8624	Bushing	2	146-1842	Bushing	2	146-1843	Bushing	2	131-4428	Bushing	4	2G-8631	Bushing	2	2D-8652	Bearing
	2	433-7105	Seal	2	7K-9202	Seal	1	2G-8631	Bushing	2	2G-8777	Seal	2	2G-8777	Seal	2	5P-8843	Seal	4	433-7105	Seal	-	-	-
	-	-	-	-	-	-	2	433-7105	Seal	2	9M-2092	Seal-o-Ring	2	5P-8890	Seal	-	-	-	-	-	-	-	-	-
120	1	8W-6476	Pin	1	2G-8609	Pin	1	8W-6497	Pin	2	8W-5293	Pin	2	8W-5293	Pin	1	130-3595	Pin	2	2G-8633	Pin	2	8D-2429	Pin
	1	2G-8624	Bushing	1	2G-8631	Bearing	1	2G-8624	Bushing	2	146-1842	Bushing	2	146-1843	Bushing	2	131-4428	Bushing	4	2G-8631	Bushing	2	005-8639	Bearing
	2	433-7105	Seal	2	433-7105	Seal	1	2G-8631	Bushing	2	2G-8777	Seal	2	2G-8777	Seal	2	5P-8843	Seal	4	433-7105	Seal	-	-	-
	-	-	-	-	-	-	2	433-7105	Seal	2	9M-2092	Seal-o-Ring	2	5P-8890	Seal	-	-	-	-	-	-	-	-	-
120H	1	8W-6476	Pin	1	2G-8609	Pin	1	8W-6497	Pin	2	8W-5293	Pin	2	8W-5293	Pin	1	130-3595	Pin	2	2G-8633	Pin	2	8D-2429	Pin
	1	2G-8624	Bushing	1	2G-8631	Bearing	1	2G-8624	Bushing	2	146-1842	Bushing	2	146-1843	Bushing	2	131-4428	Bushing	4	2G-8631	Bushing	2	005-8639	Bearing
	2	5P-8842	Seal	2	433-7105	Seal	1	2G-8631	Bushing	2	2G-8777	Seal	2	2G-8777	Seal	2	5P-8843	Seal	4	5P-8842	Seal	-	-	-
	-	-	-	-	-	-	2	5P-8842	Seal	2	9M-2092	Seal-o-Ring	2	5P-8890	Seal	-	-	-	-	-	-	-	-	-

Steering Axle Pins Con't

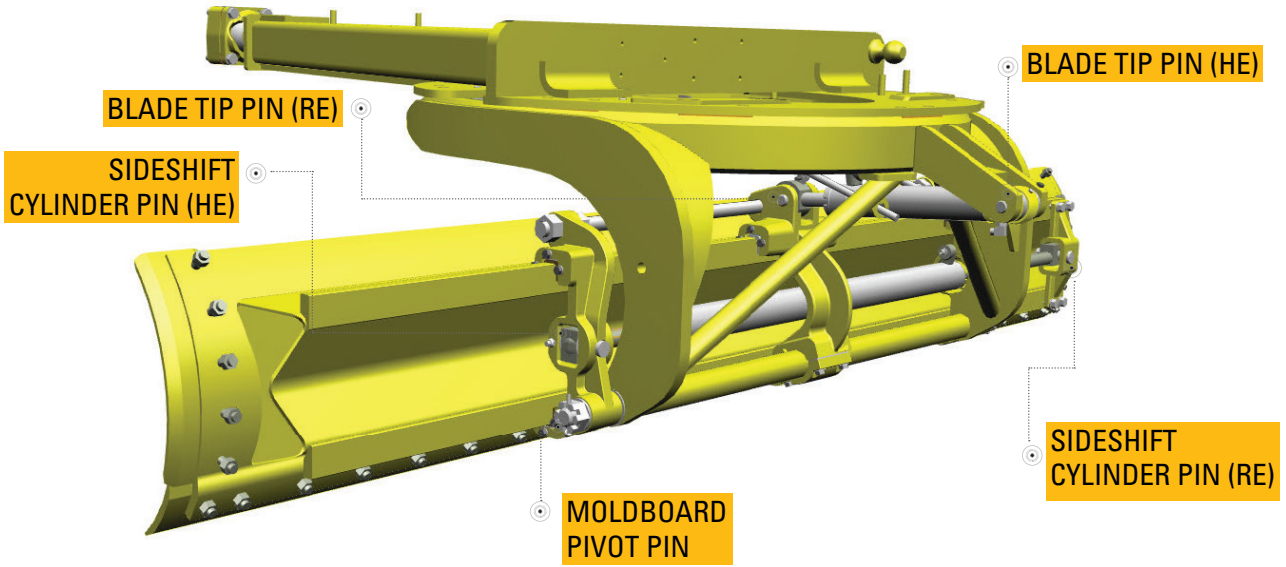
STEERING AXLE PIN																								
SALES MODEL	LH Lean Bar Pin			Lean Cylinder Mount Pin			RH Lean Bar Pin			Upper King Pin			Lower King Pin			Oscillation Pin (Bolster Pin)			Lean Pin			Steering Cylinder Pin		
	QTY	Part Number	Part Description	QTY	Part Number	Part Description	QTY	Part Number	Part Description	QTY	Part Number	Part Description	QTY	Part Number	Part Description	QTY	Part Number	Part Description	QTY	Part Number	Part Description	QTY	Part Number	Part Description
120M	1	279-4355	Pin	1	264-9726	Pin	1	279-4356	Pin	2	257-9799	Pin	2	257-9799	Pin	1	264-1180	Pin	2	260-7486	Pin	2	257-2758	Pin
	1	2G-8624	Bushing	1	2G-8631	Bearing	1	2G-8624	Bushing	2	146-1842	Bushing	2	146-1843	Bushing	2	131-4428	Bushing	4	2G-8631	Bushing	2	2D-8652	Bearing
	2	433-7105	Seal	2	7K-9202	Seal	1	2G-8631	Bushing	2	2G-8777	Seal	2	2G-8777	Seal	2	5P8843	Seal	4	433-7105	Seal	-	-	-
	-	-	-	-	-	-	-	2	433-7105	Seal	2	9M-2092	Seal-o-Ring	2	5P8890	Seal	-	-	-	-	-	-	-	-
120M2	1	279-4355	Pin	1	264-9726	Pin	1	279-4356	Pin	2	257-9799	Pin	2	257-9799	Pin	1	264-1180	Pin	2	260-7486	Pin	2	257-2758	Pin
	1	2G-8624	Bushing	1	2G-8631	Bearing	1	2G-8624	Bushing	2	146-1842	Bushing	2	146-1843	Bushing	2	131-4428	Bushing	4	2G-8631	Bushing	2	2D-8652	Bearing
	2	433-7105	Seal	2	7K-9202	Seal	1	2G-8631	Bushing	2	2G-8777	Seal	2	2G-8777	Seal	2	5P8843	Seal	4	433-7105	Seal	-	-	-
	-	-	-	-	-	-	-	2	433-7105	Seal	2	9M-2092	Seal-o-Ring	2	5P8890	Seal	-	-	-	-	-	-	-	-
120K	1	8W-6476	Pin	1	2G-8609	Pin	1	8W-6497	Pin	2	8W-5293	Pin	2	8W-5293	Pin	1	130-3595	Pin	2	2G-8633	Pin	2	8D-2429	Pin
	1	0S-1592	Bushing	1	2G-8631	Bearing	1	2G-8624	Bushing	2	146-1842	Bushing	2	146-1843	Bushing	2	131-4428	Bushing	4	2G-8631	Bushing	2	005-8639	Bearing
	2	433-7105	Seal	2	433-7105	Seal	1	2G-8631	Bushing	2	2G-8777	Seal	2	2G-8777	Seal	2	5P8843	Seal	1	433-7105	Seal	-	-	-
	-	-	-	-	-	-	-	4	433-7105	Seal	2	9M-2092	Seal-o-Ring	2	5P8890	Seal	-	-	-	-	-	-	-	-
120GC	1	8W-6476	Pin	1	2G-8609	Pin	1	8W-6497	Pin	2	8W-5293	Pin	2	8W-5293	Pin	1	130-3595	Pin As	2	2G-8633	Pin	2	8D-2429	Pin As
	1	2G-8624	Bushing	2	433-7105	Seal	1	2G-8624	Bushing (Bar As)	2	146-1842	Bushing	2	146-1843	Bushing	2	131-4428	Bushing	4	2G-8631	Bushing	2	5S-7379	Bolt
	2	433-7105	Seal	2	8T-4139	Bolt	4	433-7105	Seal	2	2G-8777	Seal	2	2G-8777	Seal	2	5P8843	Seal	2	433-7105	Seal	2	8T-4896	Washer
	1	0S-1592	Bolt	2	8T-4223	Washer	2	0S-1592	Bolt	2	9M-2092	Seal-o-Ring	2	5P8890	Seal	1	8T-4956	Bolt	4	5S-7379	Bolt	4	8D-2638	Spacer
	1	2G-5667	Retainer	1	6G-7187	Lock	2	2G-5667	Retainer	2	2H-3740	Bolt	2	9M-2092	Seal-o-Ring	1	5P-1076	Washer	4	2G-8768	Washer	-	-	-
	1	4D-3704	Washer	-	-	-	2	4D-3704	Washer	2	2G-8742	Washer	2	2H-3740	Bolt	1	9G-5211	Spacer	4	5P-1075	Washer	-	-	-
	-	-	-	-	-	-	-	-	-	2	2G-8741	Ring	2	2G-8741	Ring	4	2G-5673	Washer	-	-	-	-	-	-
	-	-	-	-	-	-	-	-	-	2	2G-8626	Washer	-	-	-	1	9D-3523	Washer	-	-	-	-	-	-
14	1	257-9796	Pin	1	264-9726	Pin	1	257-9795	Pin	2	257-9799	Pin	2	257-9799	Pin	1	378-3737	Pin	2	258-8739	Pin	2	391-0217	Pin
	1	2G-8631	Bushing	1	2G-8631	Bushing	2	2G-8631	Bushing	2	2G-7387	Bushing	2	2G-7388	Bushing	2	257-2289	Bushing	4	2G-8793	Bearing	2	2D-8652	Bearing
	2	7K-9202	Seal	2	7K-9202	Seal	4	7K-9202	Seal	2	2G-8777	Seal	2	2G-8777	Seal	2	5P8847	Seal	4	7K-9203	Seal	-	-	-
	-	-	-	-	-	-	-	-	-	2	9M-2092	Seal-o-Ring	2	5P8890	Seal	-	-	-	-	-	-	-	-	-
14M	1	257-9796	Pin	1	264-9726	Pin	1	257-9795	Pin	2	257-9799	Pin	2	257-9799	Pin	1	257-2291	Pin	2	258-8739	Pin	2	257-2758	Pin
	1	2G-8631	Bushing	1	2G-8631	Bushing	2	2G-8631	Bushing	2	2G-7387	Bushing	2	2G-7388	Bushing	2	257-2289	Bushing	4	2G-8793	Bearing	2	2D-8652	Bearing
	2	7K-9202	Seal	2	7K-9202	Seal	4	7K-9202	Seal	2	2G-8777	Seal	2	2G-8777	Seal	2	5P8847	Seal	4	5P8843	Seal	-	-	-
	-	-	-	-	-	-	-	-	-	2	9M-2092	Seal-o-Ring	2	5P8890	Seal	-	-	-	-	-	-	-	-	-
14M3	1	257-9796	Pin	1	264-9726	Pin	1	257-9795	Pin	2	257-9799	Pin	2	257-9799	Pin	1	378-3737	Pin	2	258-8739	Pin	2	391-0217	Pin
	1	2G-8631	Bushing	1	2G-8631	Bushing	2	2G-8631	Bushing	2	2G-7387	Bushing	2	2G-7388	Bushing	2	257-2289	Bushing	4	2G-8793	Bearing	2	2D-8652	Bearing
	2	7K-9202	Seal	2	7K-9202	Seal	4	7K-9202	Seal	2	2G-8777	Seal	2	2G-8777	Seal	2	5P8847	Seal	4	7K-9203	Seal	-	-	-
	-	-	-	-	-	-	-	-	-	2	9M-2092	Seal-o-Ring	2	5P8890	Seal	-	-	-	-	-	-	-	-	-
14H	1	8W-6496	Pin	1	2G-8609	Pin	1	8W-6495	Pin	2	8W-5293	Pin	2	8W-5293	Pin	1	113-9099	Pin	2	2G-8630	Pin	2	8D-3997	Pin
	1	2G-8631	Bushing	1	2G-8631	Bushing	2	2G-8631	Bushing	2	2G-7387	Bushing	2	2G-7388	Bushing	1	113-9098	Pin	4	2G-8793	Bearing	2	2D-8652	Bearing
	2	5P8842	Seal	2	5P8842	Seal	4	5P8842	Seal	2	2G-8777	Seal	2	2G-8777	Seal	4	2G-8639	Bearing	4	5P8843	Seal	-	-	-
	-	-	-	-	-	-	-	-	-	2	9M-2092	Seal-o-Ring	2	5P8890	Seal	-	-	-	-	-	-	-	-	-
140	1	279-4355	Pin	1	264-9726	Pin	1	279-4356	Pin	2	257-9799	Pin	2	257-9799	Pin	1	264-1180	Pin	2	260-7486	Pin	2	257-2758	Pin
	1	2G-8624	Bushing	1	2G-8631	Bearing	1	2G-8624	Bushing	2	146-1842	Bushing	2	146-1843	Bushing	2	131-4428	Bushing	4	2G-8631	Bushing	2	2D-8652	Bearing
	2	433-7105	Seal	2	7K-9202	Seal	1	2G-8631	Bushing	2	2G-8777	Seal	2	2G-8777	Seal	2	5P8843	Seal	4	433-7105	Seal	-	-	-
	-	-	-	-	-	-	-	2	433-7105	Seal	2	9M-2092	Seal-o-Ring	2	5P8890	Seal	-	-	-	-	-	-	-	-
140 (LVR)	1	8W-6476	Pin	1	2G-8609	Pin	1	8W-6497	Pin	2	257-9799	Pin	2	8W-5293	Pin	1	130-3595	Pin	2	2G-8633	Pin	2	8D-2429	Pin
	1	2G-8624	Bushing	1	2G-8631	Bearing	1	2G-8624	Bushing	2	146-1842	Bushing	2	146-1843	Bushing	2	131-4428	Bushing	4	2G-8631	Bushing	2	005-8639	Bearing
	2	433-7105	Seal	2	433-7105	Seal	1	2G-8631	Bushing	2	2G-8777	Seal	2	2G-8777	Seal	2	5P8843	Seal	4	433-7105	Seal	-	-	-
	-	-	-	-	-	-	-	4	433-7105	Seal	2	9M-2092	Seal-o-Ring	2	5P8890	Seal	-	-	-	-	-	-	-	-
140K/140k2	1	8W-6476	Pin	1	2G-8609	Pin	1	8W-6497	Pin	2	257-9799	Pin	2	8W-5293	Pin	1	130-3595	Pin	2	2G-8633	Pin	2	8D-2429	Pin
	1	2G-8624	Bushing	1	2G-8631	Bearing	1	2G-8624	Bushing	2	146-1842	Bushing	2	146-1843	Bushing	2	131-4428	Bushing	4	2G-8631	Bushing	2	005-8639	Bearing
	2	433-7105	Seal	2	433-7105	Seal	1	2G-8631	Bushing	2	2G-8777	Seal	2	2G-8777	Seal	2	5P8843	Seal	4	5P8842	Seal	-	-	-
	-	-	-	-	-	-	-	4	433-7105	Seal	2	9M-2092	Seal-o-Ring	2	5P8890	Seal	-	-	-	-	-	-	-	-
140H	1	8W-6476	Pin	1	2G-8609	Pin	1	8W-6497	Pin	2	257-9799	Pin	2	8W-5293	Pin	1	130-3595	Pin	2	2G-8633	Pin	2	8D-2429	Pin
	1	2G-8624	Bushing	1	2G-8631	Bearing	1	2G-8624	Bushing	2	146-1842	Bushing	2	146-1843	Bushing	2	131-4428	Bushing	4	2G-8631	Bushing	2	005-8639	Bearing
	2	433-7105	Seal	2	433-7105	Seal	1	2G-8631	Bushing	2	2G-8777	Seal	2	2G-8777	Seal	2	5P8843	Seal	4	433-7105	Seal	-	-	-
	2	5P8842	Seal	-	-	-	2	433-7105	Seal	2	9M-2092	Seal-o-Ring	2	5P8890	Seal	-	-	-	-	4	5P8842	Seal	-	-
140M	1	279-4355	Pin	1	264-9726	Pin	1	279-4356	Pin	2	257-9799	Pin	2	257-9799	Pin	1	264-1180	Pin	2	260-7486	Pin	2	257-2758	Pin
	1	260-8719	Pin	1	2G-8631	Bearing	1	260-8719	Pin	2	146-1842	Bushing	2	146-1843	Bushing	2	131-4428	Bushing	2	295-0775	Pin	2	2D-8652	Bearing
	1	2G-8624	Bushing	2	7K-9202	Seal	1	2G-8624	Bushing	2	2G-8777	Seal	2	2G-8777	Seal	2	5P8843	Seal	4	2G-8				

Steering Axle Pins Con't



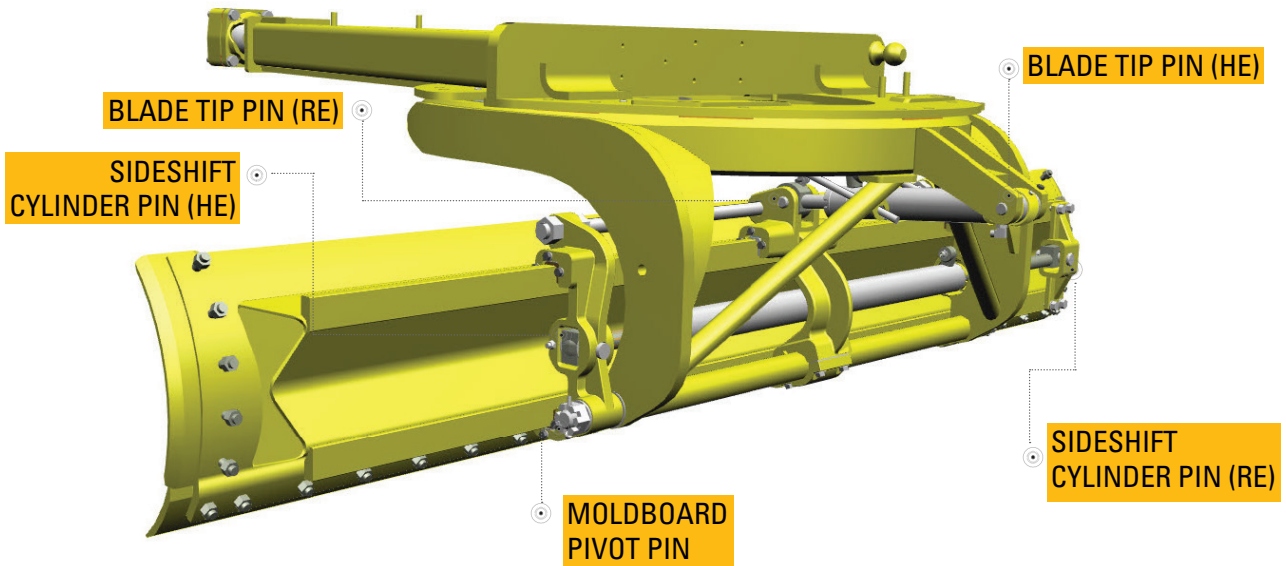
STEERING AXLE PIN																								
SALES MODEL	LH Lean Bar Pin			Lean Cylinder Mount Pin			RH Lean Bar Pin			Upper King Pin			Lower King Pin			Oscillation Pin (Bolster Pin)			Lean Pin			Steering Cylinder Pin		
	QTY	Part Number	Part Description	QTY	Part Number	Part Description	QTY	Part Number	Part Description	QTY	Part Number	Part Description	QTY	Part Number	Part Description	QTY	Part Number	Part Description	QTY	Part Number	Part Description	QTY	Part Number	Part Description
140MC	1	279-4355	Pin	1	264-9726	Pin	1	279-4356	Pin	2	257-9799	Pin	2	257-9799	Pin	1	264-1180	Pin	2	260-7486	Pin	2	257-2758	Pin
	1	2G-8624	Bushing	1	2G-8631	Bearing	1	2G-8624	Bushing	2	146-1842	Bushing	2	146-1843	Bushing	2	131-4428	Bushing	4	2G-8631	Bushing	2	2D-8652	Bearing
	2	433-7105	Seal	2	7K-9202	Seal	1	2G-8631	Bushing	2	2G-8777	Seal	2	2G-8777	Seal	2	5P-8843	Seal	4	433-7105	Seal	-	-	-
	-	-	-	-	-	-	2	433-7105	Seal	2	9M-2092	Seal-o-Ring	2	5P-8890	Seal	-	-	-	-	-	-	-	-	-
140GC	1	589-1719	Pin	1	2G-8609	Pin	1	589-1719	Pin	2	589-1718	Pin	2	589-1718	Pin	1	589-1721	Pin	2	589-1720	Pin	2	257-2758	Pin
	1	2G-8631	Bushing	2	433-7105	Seal	1	2G-8631	Bearing	2	146-1842	Bushing	2	146-1842	Bushing	2	131-4428	Bushing	4	2G-8793	Bearing	2	2D-8652	Bearing
	2	433-7105	Seal	-	-	-	4	433-7105	Seal	2	9M-2092	Seal-o-Ring	2	5P-8890	Seal	2	5P-8843	Seal	4	5P-8843	Seal	-	-	-
	-	-	-	-	-	-	-	-	-	-	-	-	2	9M-2092	Seal-o-Ring	-	-	-	-	-	-	-	-	-
150	1	279-4355	Pin	1	264-9726	Pin	1	279-4356	Pin	2	257-9799	Pin	2	257-9799	Pin	1	264-1180	Pin	2	260-7486	Pin	2	257-2758	Pin
	1	2G-8624	Bushing	1	2G-8631	Bearing	1	2G-8624	Bushing	2	146-1842	Bushing	2	146-1843	Bushing	2	131-4428	Bushing	4	2G-8631	Bushing	2	005-8639	Bearing
	2	433-7105	Seal	2	7K-9202	Seal	1	2G-8631	Bushing	2	2G-8777	Seal	2	2G-8777	Seal	2	5P-8843	Seal	4	433-7105	Seal	-	-	-
	-	-	-	-	-	-	2	433-7105	Seal	2	9M-2092	Seal-o-Ring	2	5P-8890	Seal	-	-	-	-	-	-	-	-	-
160	1	279-4355	Pin	1	264-9726	Pin	1	279-4356	Pin	2	257-9799	Pin	2	257-9799	Pin	1	264-1180	Pin	2	260-7486	Pin	2	257-2758	Pin
	1	2G-8624	Bushing	1	2G-8631	Bearing	1	2G-8624	Bushing	2	146-1842	Bushing	2	146-1843	Bushing	2	131-4428	Bushing	4	2G-8631	Bushing	2	005-8639	Bearing
	2	433-7105	Seal	2	7K-9202	Seal	1	2G-8631	Bushing	2	2G-8777	Seal	2	2G-8777	Seal	2	5P-8843	Seal	4	433-7105	Seal	-	-	-
	-	-	-	-	-	-	2	433-7105	Seal	2	9M-2092	Seal-o-Ring	2	5P-8890	Seal	-	-	-	-	-	-	-	-	-
160H	1	8W-6476	Pin	1	2G-8609	Pin	1	8W-6497	Pin	2	8W-5293	Pin	2	8W-5293	Pin	1	130-3595	Pin	2	2G-8633	Pin	2	8D-2429	Pin
	1	2G-8624	Bushing	1	2G-8631	Bearing	1	2G-8624	Bushing	2	146-1842	Bushing	2	146-1843	Bushing	2	131-4428	Bushing	4	2G-8631	Bushing	2	005-8639	Bearing
	2	433-7105	Seal	2	433-7105	Seal	1	2G-8631	Bushing	2	2G-8777	Seal	2	2G-8777	Seal	2	5P-8843	Seal	4	5P-8842	Seal	-	-	-
	2	5P-8842	Seal	-	-	-	2	433-7105	Seal	2	9M-2092	Seal-o-Ring	2	5P-8890	Seal	-	-	-	4	433-7105	Seal	-	-	-
160M	1	279-4355	Pin	1	264-9726	Pin	1	279-4356	Pin	2	257-9799	Pin	2	257-9799	Pin	1	264-1180	Pin	2	260-7486	Pin	2	257-2758	Pin
	1	260-8719	Pin	1	2G-8631	Bearing	1	260-8719	Pin	2	146-1842	Bushing	2	146-1843	Bushing	2	131-4428	Bushing	2	295-0775	Pin	2	2D-8652	Bearing
	1	2G-8624	Bushing	2	7K-9202	Seal	1	2G-8624	Bushing	2	2G-8777	Seal	2	2G-8777	Seal	2	5P-8843	Seal	4	2G-8631	Bushing	-	-	-
	1	2G-8631	Bearing	-	-	-	1	2G-8631	Bushing	2	9M-2092	Seal-o-Ring	2	5P-8890	Seal	-	-	-	4	2G-8793	Bearing	-	-	-
160M2	1	2G-8624	Bushing	1	2G-8631	Bearing	1	2G-8624	Bushing	2	146-1842	Bushing	2	146-1843	Bushing	2	131-4428	Bushing	4	2G-8631	Bushing	2	2D-8652	Bearing
	2	433-7105	Seal	2	7K-9202	Seal	1	2G-8631	Bushing	2	2G-8777	Seal	2	2G-8777	Seal	2	5P-8843	Seal	4	433-7105	Seal	-	-	-
	-	-	-	-	-	-	2	433-7105	Seal	2	9M-2092	Seal-o-Ring	2	5P-8890	Seal	-	-	-	-	-	-	-	-	-
	-	-	-	-	-	-	2	7K-9202	Seal	-	-	-	2	9M-2092	Seal-o-Ring	-	-	-	-	-	-	-	-	-
160M3	1	279-4355	Pin	1	264-9726	Pin	1	279-4356	Pin	2	257-9799	Pin	2	257-9799	Pin	1	264-1180	Pin	2	260-7486	Pin	2	257-2758	Pin
	1	2G-8624	Bushing	1	2G-8631	Bearing	1	2G-8624	Bushing	2	146-1842	Bushing	2	146-1843	Bushing	2	131-4428	Bushing	4	2G-8631	Bushing	2	2D-8652	Bearing
	2	433-7105	Seal	2	7K-9202	Seal	1	2G-8631	Bushing	2	2G-8777	Seal	2	2G-8777	Seal	2	5P-8843	Seal	4	433-7105	Seal	-	-	-
	-	-	-	-	-	-	2	433-7105	Seal	2	9M-2092	Seal-o-Ring	2	5P-8890	Seal	-	-	-	-	-	-	-	-	-
160K	1	8W-6476	Pin	1	2G-8609	Pin	1	8W-6497	Pin	2	8W-5293	Pin	2	8W-5293	Pin	1	130-3595	Pin	2	2G-8633	Pin	2	8D-2429	Pin
	1	2G-8624	Bushing	1	2G-8631	Bearing	1	2G-8624	Bushing	2	146-1842	Bushing	2	146-1843	Bushing	2	131-4428	Bushing	4	2G-8631	Bushing	2	005-8639	Bearing
	2	433-7105	Seal	2	433-7105	Seal	1	2G-8631	Bushing	2	2G-8777	Seal	2	2G-8777	Seal	2	5P-8843	Seal	4	433-7105	Seal	-	-	-
	2	5P-8842	Seal	-	-	-	2	433-7105	Seal	2	9M-2092	Seal-o-Ring	2	5P-8890	Seal	-	-	-	-	-	-	-	-	-

Circle Pins



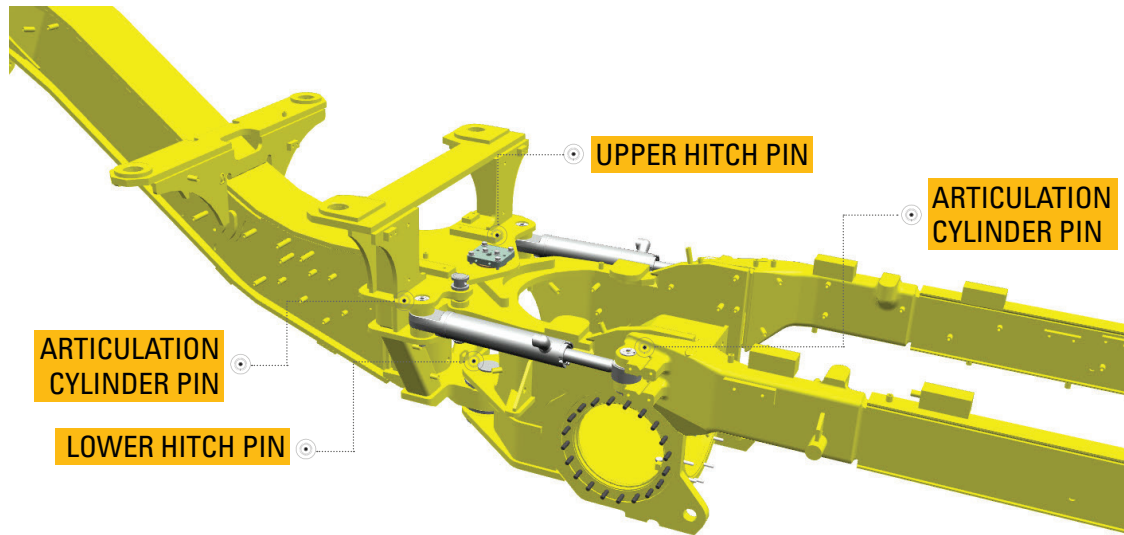
CIRCLE PINS																		
SALES MODEL	Blade Tip Pin (HE)			Blade Tip Pin (RE)			Sideshift Cylinder Pin (RE)			Sideshift Cylinder Pin (HE)			Moldboard Pivot Pin			Lubricated Moldboard Pivot Pin		
	QTY	Part Number	Part Description	QTY	Part Number	Part Description	QTY	Part Number	Part Description	QTY	Part Number	Part Description	QTY	Part Number	Part Description	QTY	Part Number	Part Description
12M	1	293-7547	Pin	1	293-7546	Pin	1	249-5643	Pin	1	312-6156	Pin	-	-	-	2	526-6468	Pin
	1	2D-8652	Bearing	1	2D-8652	Bearing	-	-	-	-	-	-	-	-	-	8	467-5183	Bearing Sleeve
	-	-	-	-	-	-	-	-	-	-	-	-	-	-	-	2	3B-8489	Adapter-STR
12M2	1	293-7547	Pin	1	293-7546	Pin	1	249-5643	Pin	1	312-6156	Pin	-	-	-	2	526-6468	Pin
	1	2D-8652	Bearing	1	2D-8652	Bearing	-	-	-	-	-	-	-	-	-	8	467-5183	Bearing Sleeve
	-	-	-	-	-	-	-	-	-	-	-	-	-	-	-	2	3B-8489	Adapter-STR
12M3	1	293-7547	Pin	1	293-7546	Pin	1	249-5643	Pin	1	312-6156	Pin	-	-	-	2	526-6468	Pin
	1	2D-8652	Bearing	1	2D-8652	Bearing	-	-	-	-	-	-	-	-	-	8	467-5183	Bearing Sleeve
	-	-	-	-	-	-	-	-	-	-	-	-	-	-	-	2	3B-8489	Adapter-STR
120	1	293-7547	Pin	1	8D-6687	Pin	1	5T-5295	Pin	1	5T-8417	Pin	1	153-3580	Shaft	2	526-6468	Pin
	1	2D-8652	Bearing	1	293-7546	Pin	1	249-5643	Pin	1	249-5643	Pin	-	-	-	8	467-5183	Bearing Sleeve
	-	-	-	1	2D-8652	Bearing	-	-	-	-	-	-	-	-	-	2	3B-8489	Adapter-STR
120H	1	293-7547	Pin	1	8D-6687	Pin	1	5T-5295	Pin	1	5T-8417	Pin	1	153-3580	Shaft	-	-	-
	1	2D-8652	Bearing	1	2D-8652	Bearing	-	-	-	-	-	-	-	-	-	-	-	-
	1	293-7547	Pin	1	293-7546	Pin	1	249-5643	Pin	1	312-6156	Pin	-	-	-	2	526-6468	Pin
120M	1	2D-8652	Bearing	1	2D-8652	Bearing	-	-	-	-	-	-	-	-	-	8	467-5183	Bearing Sleeve
	-	-	-	-	-	-	-	-	-	-	-	-	-	-	-	2	3B-8489	Adapter-STR
	1	293-7547	Pin	1	293-7546	Pin	1	249-5643	Pin	1	312-6156	Pin	-	-	-	2	526-6468	Pin
120M2	1	2D-8652	Bearing	1	2D-8652	Bearing	-	-	-	-	-	-	-	-	-	8	467-5183	Bearing Sleeve
	-	-	-	-	-	-	-	-	-	-	-	-	-	-	-	2	3B-8489	Adapter-STR
	1	293-7547	Pin	1	8D-6687	Pin	1	5T-5295	Pin	1	5T-8417	Pin	1	153-3580	Shaft	-	-	-
120K	1	2D-8652	Bearing	1	2D-8652	Bearing	-	-	-	-	-	-	1	6G-2947	Shaft	-	-	-
	1	531-3364	Pin AS	1	531-3364	Pin AS	1	535-9378	Pin	1	535-9378	Pin	2	535-8192	Pin	-	-	-
	1	616-0862	Bearing	1	616-0862	Bearing	2	531-3384	Shim	1	518-8176	Pin	8	535-8193	Bushing	-	-	-
120GC	1	518-2326	Bolt	1	518-2326	Bolt	1	518-8176	Pin	5	9R-0109	Washer	2	544-3696	Nut	-	-	-
	1	518-9739	Washer	1	518-9739	Washer	-	-	-	-	-	-	2	545-8084	Shim	-	-	-
	2	531-3381	Shim	2	531-3381	Shim	-	-	-	-	-	-	2	545-8085	Shim	-	-	-
	2	531-3382	Shim	2	531-3382	Shim	-	-	-	-	-	-	2	545-8086	Shim	-	-	-
	2	531-3383	Shim	2	531-3383	Shim	-	-	-	-	-	-	2	545-8087	Shim	-	-	-
	-	-	-	-	-	-	-	-	-	-	-	-	2	524-3217	Pin	-	-	-
	-	-	-	-	-	-	-	-	-	-	-	-	-	-	-	-	-	-
14H	1	8W-8512	Pin	1	8W-8513	Pin	1	1H-4478	Pin	1	5T-8417	Pin	2	6G-4831	Shaft	4	8W-4167	Bushing
	1	170-3093	Bushing	1	170-3093	Bushing	-	-	-	-	-	-	-	-	-	-	-	-
	1	4D-0298	Bearing	1	4D-0298	Bearing	-	-	-	-	-	-	-	-	-	-	-	-
140	1	293-7547	Pin	1	293-7546	Pin	1	249-5643	Pin	1	312-6156	Pin	-	-	-	2	526-6468	Pin
	1	2D-8652	Bearing	1	2D-8652	Bearing	-	-	-	-	-	-	-	-	-	8	467-5183	Bearing Sleeve
	-	-	-	-	-	-	-	-	-	-	-	-	-	-	-	2	3B-8489	Adapter-STR
140 (LVR)	1	293-7547	Pin	1	293-7546	Pin	1	5T-5295	Pin	1	5T-8417	Pin	1	153-3580	Shaft	2	526-6468	Pin
	1	2D-8652	Bearing	1	8D-6687	Pin	1	249-5643	Pin	1	249-5643	Pin	2	2A-7089	Bearing	8	467-5183	Bearing Sleeve
	-	-	-	1	2D-8652	Bearing	-	-	-	-	-	-	2	104-8655	Bearing	2	3B-8489	Adapter-STR
140K/140K2	1	293-7547	Pin	1	8D-6687	Pin	1	5T-5295	Pin	1	5T-8417	Pin	1	153-3580	Shaft	2	526-6468	Pin
	1	2D-8652	Bearing	1	293-7546	Pin	1	249-5643	Pin	1	249-5643	Pin	2	2A-7089	Bearing	8	467-5183	Bearing Sleeve
	-	-	-	1	2D-8652	Bearing	-	-	-	-	-	-	2	104-8655	Bearing	-	-	-
140H	1	293-7547	Pin	1	8D-6687	Pin	1	5T-5295	Pin	1	5T-8417	Pin	1	153-3580	Shaft	-	-	-
	1	2D-8652	Bearing	1	2D-8652	Bearing	-	-	-	-	-	-	2	2A-7089	Bearing	-	-	-
	-	-	-	-	-	-	-	-	-	-	-	-	2	104-8655	Bearing	-	-	-

Circle Pins Con't



CIRCLE PINS																		
SALES MODEL	Blade Tip Pin (HE)			Blade Tip Pin (RE)			Sideshift Cylinder Pin (RE)			Sideshift Cylinder Pin (HE)			Moldboard Pivot Pin			Lubricated Moldboard Pivot Pin		
	QTY	Part Number	Part Description	QTY	Part Number	Part Description	QTY	Part Number	Part Description	QTY	Part Number	Part Description	QTY	Part Number	Part Description	QTY	Part Number	Part Description
140M	1	293-7547	Pin	1	293-7546	Pin	1	249-5643	Pin	1	312-6156	Pin	-	-	-	2	526-6468	Pin
	1	2D-8652	Bearing	1	2D-8652	Bearing	-	-	-	-	-	-	-	-	-	8	467-5183	Bearing Sleeve
	-	-	-	-	-	-	-	-	-	-	-	-	-	-	-	2	3B-8489	Adapter-STR
140M2	1	293-7547	Pin	1	293-7546	Pin	1	249-5643	Pin	1	312-6156	Pin	-	-	-	2	526-6468	Pin
	1	2D-8652	Bearing	1	2D-8652	Bearing	-	-	-	-	-	-	-	-	-	8	467-5183	Bearing Sleeve
	-	-	-	-	-	-	-	-	-	-	-	-	-	-	-	2	3B-8489	Adapter-STR
140M3	1	293-7547	Pin	1	293-7546	Pin	1	249-5643	Pin	1	312-6156	Pin	-	-	-	2	526-6468	Pin
	1	2D-8652	Bearing	1	2D-8652	Bearing	-	-	-	-	-	-	-	-	-	8	467-5183	Bearing Sleeve
	-	-	-	-	-	-	-	-	-	-	-	-	-	-	-	2	3B-8489	Adapter-STR
140GC	1	531-3364	Pin	1	531-3365	Pin	1	535-9378	Pin	1	535-9378	Pin	2	535-8192	Pin	-	-	-
	-	-	-	-	-	-	-	-	-	-	-	8	535-8193	Bushing	-	-	-	
150	1	293-7547	Pin	1	293-7546	Pin	1	249-5643	Pin	1	312-6156	Pin	-	-	-	2	526-6468	Pin
	1	2D-8652	Bearing	1	2D-8652	Bearing	-	-	-	-	-	-	-	-	-	8	467-5183	Bearing Sleeve
	-	-	-	-	-	-	-	-	-	-	-	-	-	-	-	2	3B-8489	Adapter-STR
160	1	293-7547	Pin	1	293-7546	Pin	1	249-5643	Pin	1	312-6156	Pin	-	-	-	2	526-6468	Pin
	1	2D-8652	Bearing	1	2D-8652	Bearing	-	-	-	-	-	-	-	-	-	8	467-5183	Bearing Sleeve
	-	-	-	-	-	-	-	-	-	-	-	-	-	-	-	2	3B-8489	Adapter-STR
160H	1	293-7547	Pin	1	8D-6687	Pin	1	5T-5295	Pin	1	5T-8417	Pin	1	112-1269	Shaft	-	-	-
	1	2D-8652	Bearing	1	2D-8652	Bearing	-	-	-	-	-	-	2	2A-7089	Bearing	-	-	-
	-	-	-	-	-	-	-	-	-	-	-	-	2	104-8655	Bearing	-	-	-
160M	1	293-7547	Pin	1	293-7546	Pin	1	249-5643	Pin	1	312-6156	Pin	-	-	-	2	526-6468	Pin
	1	2D-8652	Bearing	1	2D-8652	Bearing	-	-	-	-	-	-	-	-	-	8	467-5183	Bearing Sleeve
	-	-	-	-	-	-	-	-	-	-	-	-	-	-	-	2	3B-8489	Adapter-STR
160M2	1	293-7547	Pin	1	293-7546	Pin	1	249-5643	Pin	1	312-6156	Pin	-	-	-	2	526-6468	Pin
	1	2D-8652	Bearing	1	2D-8652	Bearing	-	-	-	-	-	-	-	-	-	8	467-5183	Bearing Sleeve
	-	-	-	-	-	-	-	-	-	-	-	-	-	-	-	2	3B-8489	Adapter-STR
160M3	1	293-7547	Pin	1	293-7546	Pin	1	249-5643	Pin	1	312-6156	Pin	-	-	-	2	526-6468	Pin
	1	2D-8652	Bearing	1	2D-8652	Bearing	-	-	-	-	-	-	-	-	-	8	467-5183	Bearing Sleeve
	-	-	-	-	-	-	-	-	-	-	-	-	-	-	-	2	3B-8489	Adapter-STR
160K	1	293-7547	Pin	1	8D-6687	Pin	1	5T-5295	Pin	1	5T-8417	Pin	1	153-3580	Shaft	1	526-6468	Pin
	1	2D-8652	Bearing	1	293-7546	Pin	1	249-5643	Pin	1	249-5643	Pin	1	112-1269	Shaft	1	467-5183	Bearing Sleeve
	-	-	-	1	2D-8652	Bearing	-	-	-	-	-	-	2	2A-7089	Bearing	1	3B-8489	Adapter-STR
14	1	364-1374	Pin	1	364-1374	Pin	1	1H-4478	Pin	1	312-6156	Pin	-	-	-	2	567-7552	Pin
	1	170-3093	Bushing	1	170-3093	Bushing	-	-	-	-	-	-	-	-	-	4	8W-4167	Bushing
	1	4D-0298	Bearing	1	4D-0298	Bearing	-	-	-	-	-	-	-	-	-	2	3B-8489	Adapter-STR
14M	1	364-1374	Pin	1	364-1374	Pin	1	1H-4478	Pin	1	312-6156	Pin	2	6G-4831	Shaft	-	-	-
	1	170-3093	Bushing	1	170-3093	Bushing	-	-	-	-	-	-	4	8W-416	Bushing	-	-	-
	1	4D-0298	Bearing	1	4D-0298	Bearing	-	-	-	-	-	-	-	-	-	-	-	-
14M3	1	364-1374	Pin	1	364-1374	Pin	1	1H-4478	Pin	1	312-6156	Pin	-	-	-	2	567-7552	Pin
	1	170-3093	Bushing	1	170-3093	Bushing	-	-	-	-	-	-	-	-	-	4	8W-4167	Bushing
	1	4D-0298	Bearing	1	4D-0298	Bearing	-	-	-	-	-	-	-	-	-	2	3B-8489	Adapter-STR

Articulation Pins

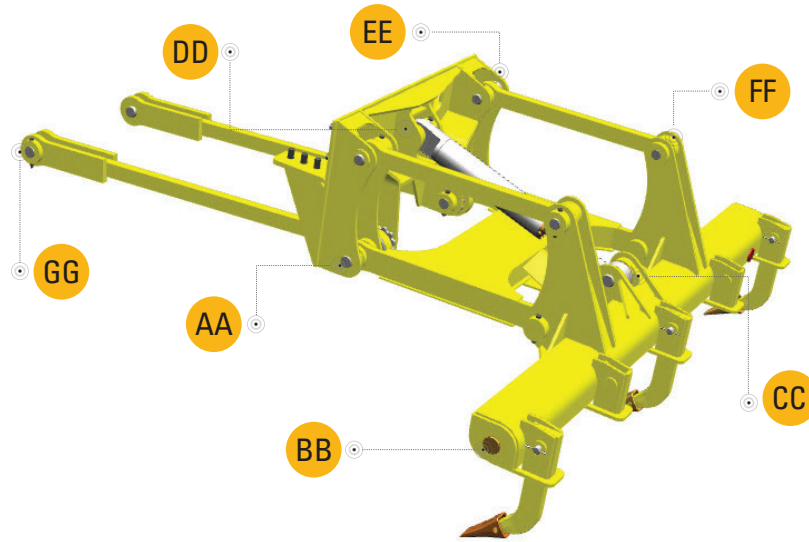


ARTICULATION PINS												
SALES MODEL	Upper Hitch Pin			Lower Hitch Pin			Articulation Cylinder Pins (HE)			Articulation Cylinder Pins (RE)		
	QTY	Part Number	Part Description	QTY	Part Number	Part Description	QTY	Part Number	Part Description	QTY	Part Number	Part Description
12M	1	252-1824	Pin	1	264-7581	Pin	2	305-3384	Pin	2	305-3384	Pin
	1	5K-0984	Bushing	1	8D-9909As	Bearing	2	8D-7086	Bearing	2	8D-7086	Bearing
	1	252-0990	Bushing	2	6K-4186	Seal	4	7K-9202	Seal	4	7K-9202	Seal
	2	4K-7463	Seal	-	-	-	-	-	-	-	-	-
12M2	1	252-1824	Pin	1	276-3622	Pin	2	305-3384	Pin	2	305-3384	Pin
	1	4K-8734	Bearing	1	143-7356	Bearing	2	8D-7086	Bearing	2	8D-7086	Bearing
	1	252-0990	Bushing	2	5K-0983	Seal	4	7K-9202	Seal	4	7K-9202	Seal
	2	4K-7463	Seal	-	-	-	-	-	-	-	-	-
12M3	1	252-1824	Pin	1	276-3622	Pin	2	305-3384	Pin	2	305-3384	Pin
	1	4K-8734	Bearing	1	143-7356	Bearing	2	8D-7086	Bearing	2	8D-7086	Bearing
	1	252-0990	Bushing	2	5K-0983	Seal	4	7K-9202	Seal	4	7K-9202	Seal
	2	4K-7463	Seal	-	-	-	-	-	-	-	-	-
120	1	124-3240	Pin	1	2G-6157	Pin	2	8D-4766	Pin	2	8D-4766	Pin
	1	4K-8659	Bearing	1	8D-9909	Bearing	2	8D-7086	Bearing	2	8D-7086	Bearing
	1	5K-0984	Bearing	2	6K-4186	Seal	4	7K-9202	Seal	4	7K-9202	Seal
	2	4K-7463	Seal	-	-	-	-	-	-	-	-	-
120H	1	124-3240	Pin	1	2G-6157	Pin	2	8D-9815	Pin	2	8D-9815	Pin
	1	4K-8659	Bearing	1	8D-9909	Bearing	2	8D-9814	Bushing	2	8D-9814	Bushing
	1	5K-0984	Bearing	2	6K-4186	Seal	4	7K-9201	Seal	4	7K-9201	Seal
	2	4K-7463	Seal	-	-	-	-	-	-	-	-	-
120M	1	252-1824	Pin	1	264-7581	Pin	2	305-3384	Pin	2	305-3384	Pin
	1	5K-0984	Bushing	1	8D-9909	Bearing	2	8D-7086	Bearing	2	8D-7086	Bearing
	1	252-0990	Bushing	2	6K-4186	Seal	4	7K-9202	Seal	4	7K-9202	Seal
	2	4K-7463	Seal	-	-	-	-	-	-	-	-	-
120M2	1	252-1824	Pin	1	264-7581	Pin	2	305-3384	Pin	2	305-3384	Pin
	1	5K-0984	Bushing	1	8D-9909	Bearing	2	8D-7086	Bearing	2	8D-7086	Bearing
	1	252-0990	Bushing	2	6K-4186	Seal	4	7K-9202	Seal	4	7K-9202	Seal
	2	4K-7463	Seal	-	-	-	-	-	-	-	-	-
120K	1	124-3240	Pin	1	2G-6157	Pin	2	8D-9815	Pin	2	8D-9815	Pin
	1	4K-8659	Bearing	1	8D-9909	Bearing	2	8D-9814	Bushing	2	8D-9814	Bushing
	1	5K-0984	Bearing	2	6K-4186	Seal	4	7K-9201	Seal	4	7K-9201	Seal
	2	4K-7463	Seal	-	-	-	-	-	-	-	-	-
120GC	1	558-4349	Pin AS	1	558-4350	Pin AS	2	529-8033	Pin AS	2	529-8033	Pin AS
	1	500-2915	Bearing	1	465-3915	Bearing	2	8T-4192	Bolt	2	8T-4192	Bolt
	2	227-3857	Seal	1	227-3857	Seal	2	517-7867	Spacer	2	517-7867	Spacer
	1	7X-0590	Washer	1	7X-9209	Seal	2	3B-8486	Fitting	2	3B-8486	Fitting
	1	8T-4192	Bolt	1	7X-0590	Washer	2	522-8262	Shim	2	522-8262	Shim
	-	-	-	1	8T-4956	Bolt	-	-	-	-	-	-
	-	-	-	1	5H-4744	Spacer	-	-	-	-	-	-
	-	-	-	1	558-4425	Cover	-	-	-	-	-	-
	-	-	-	4	8T-4121	Washer	-	-	-	-	-	-
	-	-	-	4	8T-4196	Bolt	-	-	-	-	-	-
	-	-	-	1	558-4424	Spacer	-	-	-	-	-	-
	-	-	-	1	8E-8164	Disc-Thrust	-	-	-	-	-	-
	-	-	-	1	558-4423	Washer	-	-	-	-	-	-
14	1	481-3159	Pin	1	370-3220	Pin	2	384-4456	Pin	2	504-8259	Pin
	1	4K-7467	Bearing As Roller	2	582-9201	Bearing	2	500-2893	Bearing	-	-	-
	2	4K-7462	Seal	1	252-0990	Bushing	2	500-2892	Bearing	-	-	-
	-	-	-	2	4K-7463	Seal	4	7K-9204	Seal	-	-	-

Articulation Pins Con't

ARTICULATION PINS												
SALES MODEL	Upper Hitch Pin			Lower Hitch Pin			Articulation Cylinder Pins (HE)			Articulation Cylinder Pins (RE)		
	QTY	Part Number	Part Description	QTY	Part Number	Part Description	QTY	Part Number	Part Description	QTY	Part Number	Part Description
14H	1	124-3241	Pin	1	4K-6558	Pin	2	8D-4673	Pin	2	8D-4673	Pin
	1	4K-8659	Bearing	1	4K-7467	Bearing As Roller	2	8D-7685	Bearing	2	8D-7685	Bearing
	1	4K-8734	Bushing	1	4K-7461	Seal	4	9D-6583	Seal	4	9D-6583	Seal
	2	4K-7463	Seal	1	4K-7462	Seal	-	-	-	-	-	-
14M	1	252-1824	Pin	1	252-0980	Pin	2	388-9436	Pin	2	388-9435	Pin
	1	4K-8734	Bearing	1	4K-7467	Bearing As Roller	2	8X-5021	Bearing	-	-	-
	1	252-0990	Bushing	1	4K-7461	Seal	2	8D-7685	Bearing	-	-	-
	2	4K-7463	Seal	1	4K-7462	Seal	4	7K-9203	Seal	-	-	-
14M3	1	481-3159	Pin	1	370-3220	Pin	2	384-4456	Pin	2	504-8259	Pin
	1	4K-7467	Bearing As Roller	2	582-9201	Bearing	2	500-2893	Bearing	-	-	-
	2	4K-7462	Seal	1	252-0990	Bushing	2	500-2892	Bearing	-	-	-
	-	-	-	2	4K-7463	Seal	4	7K-9204	Seal	-	-	-
14O	1	252-1824	Pin	1	276-3622	Pin	2	305-3384	Pin	2	305-3384	Pin
	1	4K-8734	Bearing	1	143-7356	Bearing	2	8D-7086	Bearing	2	8D-7086	Bearing
	1	252-0990	Bushing	2	5K-0983	Seal	4	7K-9202	Seal	4	7K-9202	Seal
	2	4K-7463	Seal	-	-	-	-	-	-	-	-	-
14O (LVR)	1	124-3240	Pin	1	5K-0871	Pin	2	8D-4766	Pin	2	8D-4766	Pin
	1	4K-8659	Bearing	1	143-7356	Bearing	2	8D-7086	Bearing	2	8D-7086	Bearing
	1	5K-0984	Bearing	2	5K-0983	Seal	4	7K-9202	Seal	4	7K-9202	Seal
	2	4K-7463	Seal	-	-	-	-	-	-	-	-	-
140K/140K2	1	124-3240	Pin	1	5K-0871	Pin	2	8D-4766	Pin	2	8D-4766	Pin
	1	4K-8659	Bearing	1	143-7356	Bearing	2	8D-7086	Bearing	2	8D-7086	Bearing
	1	5K-0984	Bearing	2	5K-0983	Seal	4	7K-9202	Seal	4	7K-9202	Seal
	2	4K-7463	Seal	-	-	-	-	-	-	-	-	-
140H	1	124-3240	Pin	1	5K-0871	Pin	2	8D-4766	Pin	2	8D-4766	Pin
	1	4K-8659	Bearing	1	5K-0985	Bearing	2	8D-7086	Bearing	2	8D-7086	Bearing
	1	5K-0984	Bearing	2	5K-0983	Seal	4	7K-9202	Seal	4	7K-9202	Seal
	2	4K-7463	Seal	-	-	-	-	-	-	-	-	-
140M	1	252-1824	Pin	1	5K-0871	Pin	2	8D-4766	Pin	2	8D-4766	Pin
	1	4K-8734	Bearing	1	143-7356	Bearing	2	8D-7086	Bearing	2	8D-7086	Bearing
	1	252-0990	Bushing	2	5K-0983	Seal	4	7K-9202	Seal	4	7K-9202	Seal
	2	4K-7463	Seal	-	-	-	-	-	-	-	-	-
140M2	1	252-1824	Pin	1	5K-0871	Pin	2	8D-4766	Pin	2	8D-4766	Pin
	1	4K-8734	Bearing	1	143-7356	Bearing	2	8D-7086	Bearing	2	8D-7086	Bearing
	1	252-0990	Bushing	2	5K-0983	Seal	4	7K-9202	Seal	4	7K-9202	Seal
	2	4K-7463	Seal	-	-	-	-	-	-	-	-	-
140M3	1	252-1824	Pin	1	276-3622	Pin	2	305-3384	Pin	2	305-3384	Pin
	1	4K-8734	Bearing	1	143-7356	Bearing	2	8D-7086	Bearing	2	8D-7086	Bearing
	1	252-0990	Bushing	2	5K-0983	Seal	4	7K-9202	Seal	4	7K-9202	Seal
	2	4K-7463	Seal	-	-	-	-	-	-	-	-	-
140GC	1	538-3413	Pin	1	545-7409	Pin	2	599-4572	Pin	2	599-4572	Pin
	1	538-3106	Bearing	2	538-3119	Bearing	-	-	-	-	-	-
	2	520-1134	Seal	1	597-4239	Bushing	-	-	-	-	-	-
	-	-	-	2	431-4611	Seal	-	-	-	-	-	-
150	1	252-1824	Pin	1	276-3622	Pin	2	305-3384	Pin	2	305-3384	Pin
	1	4K-8734	Bearing	1	143-7356	Bearing	2	8D-7086	Bearing	2	8D-7086	Bearing
	1	252-0990	Bushing	2	5K-0983	Seal	4	7K-9202	Seal	4	7K-9202	Seal
	2	4K-7463	Seal	-	-	-	-	-	-	-	-	-
160	1	252-1824	Pin	1	276-3622	Pin	2	305-3384	Pin	2	305-3384	Pin
	1	4K-8734	Bearing	1	143-7356	Bearing	2	8D-7086	Bearing	2	8D-7086	Bearing
	1	252-0990	Bushing	2	5K-0983	Seal	4	7K-9202	Seal	4	7K-9202	Seal
	2	4K-7463	Seal	-	-	-	-	-	-	-	-	-
160H	1	124-3240	Pin	1	5K-0871	Pin	2	8D-4766	Pin	2	8D-4766	Pin
	1	4K-8659	Bearing	1	5K-0985	Bearing	2	8D-7086	Bearing	2	8D-7086	Bearing
	1	5K-0984	Bearing	2	5K-0983	Seal	4	7K-9202	Seal	4	7K-9202	Seal
	2	4K-7463	Seal	-	-	-	-	-	-	-	-	-
160M	1	252-1824	Pin	1	276-3622	Pin	2	305-3384	Pin	2	305-3384	Pin
	1	4K-8734	Bearing	1	143-7356	Bearing	2	8D-7086	Bearing	2	8D-7086	Bearing
	1	252-0990	Bushing	2	5K-0983	Seal	4	7K-9202	Seal	4	7K-9202	Seal
	2	4K-7463	Seal	-	-	-	-	-	-	-	-	-
160M2	1	252-1824	Pin	1	276-3622	Pin	2	305-3384	Pin	2	305-3384	Pin
	1	4K-8734	Bearing	1	143-7356	Bearing	2	8D-7086	Bearing	2	8D-7086	Bearing
	1	252-0990	Bushing	2	5K-0983	Seal	4	7K-9202	Seal	4	7K-9202	Seal
	2	4K-7463	Seal	-	-	-	-	-	-	-	-	-
160M3	1	252-1824	Pin	1	276-3622	Pin	2	305-3384	Pin	2	305-3384	Pin
	1	4K-8734	Bearing	1	143-7356	Bearing	2	8D-7086	Bearing	2	8D-7086	Bearing
	1	252-0990	Bushing	2	5K-0983	Seal	4	7K-9202	Seal	4	7K-9202	Seal
	2	4K-7463	Seal	-	-	-	-	-	-	-	-	-
160K	1	124-3240	Pin	1	5K-0871	Pin	2	8D-4766	Pin	2	8D-4766	Pin
	1	4K-8659	Bearing	1	143-7356	Bearing	2	8D-7086	Bearing	2	8D-7086	Bearing
	1	5K-0984	Bearing	2	5K-0983	Seal	4	7K-9202	Seal	4	7K-9202	Seal
	2	4K-7463	Seal	-	-	-	-	-	-	-	-	-

Ripper Pins



RIPPER PINS																					
SALES MODEL	AA			BB			CC			DD			EE			FF			GG		
	QTY	Part Number	Part Description	QTY	Part Number	Part Description	QTY	Part Number	Part Description	QTY	Part Number	Part Description	QTY	Part Number	Part Description	QTY	Part Number	Part Description	QTY	Part Number	Part Description
12M	2	9W-7470	Pin	2	4K-3150	Pin	1	2K-0120	Pin	2	4K-3004	Bearing	2	9W-7469	Pin	2	8J-7008	Pin	2	109-6776	Pin
	-	-	-	2	4K-3150	Pin	1	334-7584	Pin	-	-	-	-	-	-	-	-	-	-	-	-
	2	3G-2579	Bearing	2	3G-2579	Bearing	1	8J-9910	Bearing	2	8J-9911	Bearing	2	3G-2581	Bearing	2	3G-2581	Bearing	-	-	-
	-	-	-	-	-	-	1	332-6141	Bearing	-	-	-	-	-	-	-	-	-	-	-	-
	4	7K-9203	Seal	4	7K-9203	Seal	1	3B-8489	Fitting	2	3B-8489	Fitting	4	2D-0626	Seal	4	2D-0626	Seal	-	-	-
12M2	-	-	-	-	-	-	2	7K-9205	Seal	-	-	-	-	-	-	-	-	-	-	-	-
	2	9W-7470	Pin	2	4K-3150	Pin	1	334-7584	Pin	2	4K-3004	Bearing	2	9W-7469	Pin	2	8J-7008	Pin	2	293-2476	Pin
	2	3G-2579	Bearing	2	3G-2579	Bearing	1	332-6141	Bearing	2	332-2297	Bushing	2	3G-2581	Bearing	2	3G-2581	Bearing	-	-	-
12M3	4	7K-9203	Seal	4	7K-9203	Seal	2	7K-9205	Seal	-	-	-	4	2D-0626	Seal	4	2D-0626	Seal	-	-	-
	2	9W-7470	Pin	2	4K-3150	Pin	1	334-7584	Pin	2	4K-3004	Bearing	2	9W-7469	Pin	2	8J-7008	Pin	2	293-2476	Pin
120	2	3G-2579	Bearing	2	3G-2579	Bearing	1	332-6141	Bearing	2	332-2297	Bushing	2	3G-2581	Bearing	2	3G-2581	Bearing	-	-	-
	4	7K-9203	Seal	4	7K-9203	Seal	2	7K-9205	Seal	-	-	-	4	2D-0626	Seal	4	2D-0626	Seal	-	-	-
	2	9J-0090	Pin	2	109-6776	Pin	1	3G-0471	Pin	1	113-0993	Pin	2	124-6679	Pin	2	113-0996	Pin	2	354-088	Pin
120H	2	3G-0472	Bearing	2	3G-0472	Bearing	1	8D-7685	Bearing	1	8D-7685	Bearing	2	8D-9296	Bearing	2	8D-9296	Bearing	-	-	-
	4	7K-9203	Seal	4	7K-9203	Seal	2	7K-9203	Seal	4	7K-9203	Seal	4	7K-9202	Seal	4	7K-9202	Seal	-	-	-
120M	2	9J-0090	Pin	2	109-6776	Pin	1	3G-0471	Pin	1	113-0993	Pin	2	124-6679	Pin	2	113-0996	Pin	2	8J-3326	Pin
	2	3G-0472	Bearing	2	3G-0472	Bearing	2	8D-7685	Bearing	2	8D-7685	Bearing	2	8D-9296	Bearing	2	8D-9296	Bearing	-	-	-
	4	7K-9203	Seal	4	7K-9203	Seal	4	7K-9203	Seal	4	7K-9203	Seal	4	7K-9202	Seal	4	7K-9202	Seal	-	-	-
	2	9W-7470	Pin	2	4K-3150	Pin	1	2K-0120	Pin	2	4K-3004	Bearing	2	9W-7469	Pin	2	8J-7008	Pin	2	109-6776	Pin
	2	9J-0090	Pin	2	09-6776	Pin	1	3G-0471	Pin	1	113-0993	Pin	2	299-2432	Pin	2	113-0996	Pin	2	293-2476	Pin
120M2	-	-	-	-	-	-	1	334-7584	Pin	-	-	-	-	-	-	-	-	-	-	-	-
	2	3G-2579	Bearing	2	3G-2579	Bearing	1	8J-9910	Bearing	2	8J-9911	Bearing	2	3G-2581	Bearing	2	3G-2581	Bearing	-	-	-
	2	3G-0472	Bearing	2	3G-0472	Bearing	1	8D-7685	Bearing	1	8D-7685	Bearing	2	8D-9296	Bearing	2	8D-9296	Bearing	-	-	-
	-	-	-	-	-	-	2	332-6141	Bushing	2	332-2297	Bushing	-	-	-	-	-	-	-	-	-
	4	7K-9203	Seal	4	7K-9203	Seal	2	7K-9203	Seal	2	3B-8489	Fitting	4	2D-0626	Seal	4	2D-0626	Seal	-	-	-
120K	-	-	-	-	-	-	2	7K-9205	Seal	2	7K-9203	Seal	4	7K-9202	Seal	4	7K-9202	Seal	-	-	-
	2	9W-7470	Pin	2	4K-3150	Pin	1	334-7584	Pin	2	4K-3004	Bearing	2	9W-7469	Pin	2	8J-7008	Pin	2	293-2476	Pin
	2	3G-2579	Bearing	2	3G-2579	Bearing	2	332-6141	Bearing	2	332-2297	Bushing	2	3G-2581	Bearing	2	3G-2581	Bearing	-	-	-
120GC	4	7K-9203	Seal	4	7K-9203	Seal	2	7K-9205	Seal	-	-	-	4	2D-0626	Seal	4	2D-0626	Seal	-	-	-
	2	9W-7470	Pin	2	4K-3150	Pin	1	2K-0120	Pin	2	4K-3004	Bearing	2	9W-7469	Pin	2	8J-7008	Pin	2	109-6776	Pin
	2	9J-0090	Pin	2	109-6776	Pin	1	3G-0471	Pin	1	113-0993	Pin	2	124-6679	Pin	2	113-0996	Pin	2	354-0882	Pin
	2	3G-2579	Bearing	2	3G-2579	Bearing	1	8J-9910	Bearing	2	8J-9911	Bearing	2	3G-2581	Bearing	2	3G-2581	Bearing	-	-	-
	2	3G-0472	Bearing	2	3G-0472	Bearing	2	8D-7685	Bearing	2	8D-7685	Bearing	2	8D-9296	Bearing	2	8D-9296	Bearing	-	-	-
14	4	7K-9203	Seal	4	7K-9203	Seal	2	7K-9203	Seal	2	3B-8489	Fitting	4	2D-0626	Seal	4	2D-0626	Seal	-	-	-
	-	-	-	-	-	-	-	-	-	2	7K-9203	Seal	4	7K-9202	Seal	4	7K-9202	Seal	-	-	-
	2	574-1374	Pin	2	109-6776	Pin	1	3G-0471	Pin	1	574-1374	Pin	2	124-6679	Pin	2	113-0996	Pin	-	-	-
	2	3G-0472	Bearing	2	3G-0472	Bearing	1	8D-7685	Bearing	1	8D-7685	Bearing	2	8D-9296	Bearing	2	8D-9296	Bearing	-	-	-
	4	7K-9203	Seal	4	7K-9203	Seal	2	7K-9203	Seal	2	7K-9203	Seal	2	7K-9202	Seal	2	7K-9202	Seal	-	-	-

Ripper Pins Con't

RIPPER PINS																					
SALES MODEL	AA			BB			CC			DD			EE			FF			GG		
	QTY	Part Number	Part Description	QTY	Part Number	Part Description	QTY	Part Number	Part Description	QTY	Part Number	Part Description	QTY	Part Number	Part Description	QTY	Part Number	Part Description	QTY	Part Number	Part Description
14H	2	8J-9092	Pin	2	8J-9607	Pin	1	3K-8510	Pin	2	4K-3004	Bearing	2	8J-9608	Pin	2	8J-9608	Pin	2	6K-0715	Pin
	2	3G-2580	Bearing	2	3G-2580	Bearing	1	2K-4507	Bushing	2	4K-3128	Bushing	2	3G-2582	Bearing	2	3G-2582	Bearing	-	-	-
14M	4	9D-6585	Seal	4	9D-6585	Seal	1	3B-8489	Fitting	2	3B-8489	Fitting	4	9D-6584	Seal	4	9D-6584	Seal	-	-	-
	2	8J-9092	Pin	2	8J-9607	Pin	1	3K-8510	Pin	2	4K-3004	Bearing	2	8J-9608	Pin	2	8J-9608	Pin	2	6K-0715	Pin
14M3	2	3G-2580	Bearing	2	3G-2580	Bearing	1	2K-4507	Bushing	2	4K-3128	Bushing	2	3G-2582	Bearing	2	3G-2582	Bearing	-	-	-
	4	9D-6585	Seal	4	9D-6585	Seal	1	3B-8489	Fitting	2	3B-8489	Fitting	4	9D-6584	Seal	4	9D-6584	Seal	-	-	-
140	2	8J-9092	Pin	2	8J-9607	Pin	1	3K-8510	Pin	2	4K-3004	Bearing	2	8J-9608	Pin	2	8J-9608	Pin	2	6K-0715	Pin
	2	3G-2580	Bearing	2	3G-2580	Bearing	1	2K-4507	Bushing	2	4K-3128	Bushing	2	3G-2582	Bearing	2	3G-2582	Bearing	-	-	-
140 (LVR)	4	7K-9205	Seal	4	7K-9205	Seal	1	3B-8489	Fitting	2	3B-8489	Fitting	4	7K-9204	Seal	4	7K-9204	Seal	-	-	-
	2	9W-7470	Pin	2	4K-3150	Pin	1	334-7584	Pin	2	4K-3004	Bearing	2	9W-7469	Pin	2	8J-7008	Pin	2	293-2476	Pin
140H	2	3G-2579	Bearing	2	3G-2579	Bearing	1	332-6141	Bearing	2	332-2297	Bushing	2	3G-2581	Bearing	2	3G-2581	Bearing	-	-	-
	4	7K-9203	Seal	4	7K-9203	Seal	2	7K-9205	Seal	-	-	-	4	2D-0626	Seal	4	2D-0626	Seal	-	-	-
140K/140K2	2	9W-7470	Pin	2	4K-3150	Pin	1	334-7584	Pin	2	4K-3004	Bearing	2	9W-7469	Pin	2	8J-7008	Pin	2	109-6776	Pin
	2	3G-2579	Bearing	2	3G-2579	Bearing	1	332-6141	Bearing	2	332-2297	Bushing	2	3G-2581	Bearing	2	3G-2581	Bearing	-	-	-
140M	4	7K-9203	Seal	4	7K-9203	Seal	2	7K-9205	Seal	-	-	-	4	2D-0626	Seal	4	2D-0626	Seal	-	-	-
	2	9W-7470	Pin	2	4K-3150	Pin	1	334-7584	Pin	2	4K-3004	Bearing	2	9W-7469	Pin	2	8J-7008	Pin	2	109-6776	Pin
140M2	2	9J-0090	Pin	2	109-6776	Pin	1	3G-0471	Pin	1	113-0993	Pin	2	124-6679	Pin	2	113-0996	Pin	2	354-0882	Pin
	2	3G-2579	Bearing	2	3G-2579	Bearing	1	8J-9910	Bearing	2	8J-9911	Bearing	2	3G-2581	Bearing	2	3G-2581	Bearing	-	-	-
140M3	2	3G-0472	Bearing	2	3G-0472	Bearing	2	8D-7685	Bearing	2	8D-7685	Bearing	2	8D-9296	Bearing	2	8D-9296	Bearing	-	-	-
	4	7K-9203	Seal	4	7K-9203	Seal	-	-	-	2	3B-8489	Fitting	4	2D-0626	Seal	4	2D-0626	Seal	-	-	-
140M4	-	-	-	-	-	-	2	7K-9203	Seal	2	7K-9203	Seal	4	7K-9202	Seal	4	7K-9202	Seal	-	-	-
	2	9W-7470	Pin	2	4K-3150	Pin	1	2K-0120	Pin	2	4K-3004	Bearing	2	9W-7469	Pin	2	8J-7008	Pin	2	109-6776	Pin
140M5	-	-	-	-	-	-	1	334-7584	Pin	-	-	-	-	-	-	-	-	-	2	293-2476	Pin
	2	3G-2579	Bearing	2	3G-2579	Bearing	1	8J-9910	Bearing	2	8J-9911	Bearing	2	3G-2581	Bearing	2	3G-2581	Bearing	-	-	-
140M6	-	-	-	-	-	-	1	332-6141	Bearing	2	332-2297	Bushing	-	-	-	-	-	-	-	-	-
	4	7K-9203	Seal	4	7K-9203	Seal	1	3B-8489	Fitting	2	3B-8489	Fitting	4	2D-0626	Seal	4	2D-0626	Seal	-	-	-
140M7	-	-	-	-	-	-	2	K-9205	Seal	-	-	-	-	-	-	-	-	-	-	-	-
	2	9W-7470	Pin	2	4K-3150	Pin	1	334-7584	Pin	2	4K-3004	Bearing	2	9W-7469	Pin	2	8J-7008	Pin	2	293-2476	Pin
140M8	2	3G-2579	Bearing	2	3G-2579	Bearing	1	332-6141	Bearing	2	332-2297	Bushing	2	3G-2581	Bearing	2	3G-2581	Bearing	-	-	-
	4	7K-9203	Seal	4	7K-9203	Seal	2	7K-9205	Seal	-	-	-	4	2D-0626	Seal	4	2D-0626	Seal	-	-	-
140M9	2	9W-7470	Pin	2	4K-3150	Pin	1	334-7584	Pin	2	4K-3004	Bearing	2	9W-7469	Pin	2	8J-7008	Pin	2	293-2476	Pin
	2	3G-2579	Bearing	2	3G-2579	Bearing	1	332-6141	Bearing	2	332-2297	Bushing	2	3G-2581	Bearing	2	3G-2581	Bearing	-	-	-
140M10	4	7K-9203	Seal	4	7K-9203	Seal	2	7K-9205	Seal	-	-	-	4	2D-0626	Seal	4	2D-0626	Seal	-	-	-
	2	9W-7470	Pin	2	4K-3150	Pin	1	334-7584	Pin	2	4K-3004	Bearing	2	9W-7469	Pin	2	8J-7008	Pin	2	293-2476	Pin
140M11	2	3G-2579	Bearing	2	3G-2579	Bearing	1	332-6141	Bearing	2	332-2297	Bushing	2	3G-2581	Bearing	2	3G-2581	Bearing	-	-	-
	4	7K-9203	Seal	4	7K-9203	Seal	2	7K-9205	Seal	-	-	-	4	2D-0626	Seal	4	2D-0626	Seal	-	-	-
140M12	2	527-0845	Pin	2	527-0845	Pin	1	527-0846	Pin	1	527-0846	Pin	2	527-0845	Pin	2	527-0845	Pin	-	-	-
	2	535-6292	Bushing	2	535-6292	Bushing	-	-	-	2	-	-	2	535-6292	Bushing	2	535-6292	Bushing	-	-	-
140M13	2	431-4613	Adapter	2	431-4613	Adapter	-	-	-	-	-	-	2	431-4613	Adapter	2	431-4613	Adapter	-	-	-
	4	545-7477	Seal	4	545-7477	Seal	-	-	-	-	-	-	4	545-7477	Seal	4	545-7477	Seal	-	-	-
150	2	9W-7470	Pin	2	4K-3150	Pin	1	334-7584	Pin	2	4K-3004	Bearing	2	9W-7469	Pin	2	8J-7008	Pin	2	293-2476	Pin
	2	3G-2579	Bearing	2	3G-2579	Bearing	1	332-6141	Bearing	2	332-2297	Bushing	2	3G-2581	Bearing	2	3G-2581	Bearing	-	-	-
160	4	7K-9203	Seal	4	7K-9203	Seal	2	7K-9205	Seal	-	-	-	4	2D-0626	Seal	4	2D-0626	Seal	-	-	-
	2	9W-7470	Pin	2	4K-3150	Pin	1	334-7584	Pin	2	4K-3004	Bearing	2	9W-7469	Pin	2	8J-7008	Pin	2	293-2476	Pin
160H	2	3G-2579	Bearing	2	3G-2579	Bearing	1	8J-9910	Bearing	2	8J-9911	Bearing	2	3G-2581	Bearing	2	3G-2581	Bearing	-	-	-
	4	7K-9203	Seal	4	7K-9203	Seal	-	-	-	2	3B-8489	Fitting	4	2D-0626	Seal	4	2D-0626	Seal	-	-	-
160M	2	9W-7470	Pin	2	4K-3150	Pin	1	2K-0120	Pin	2	4K-3004	Bearing	2	9W-7469	Pin	2	8J-7008	Pin	2	109-6776	Pin
	-	-	-	-	-	-	1	334-7584	Pin	-	-	-	-	-	-	-	-	-	2	293-2476	Pin
160M2	2	3G-2579	Bearing	2	3G-2579	Bearing	1	8J-9910	Bearing	2	8J-9911	Bearing	2	3G-2581	Bearing	2	3G-2581	Bearing	-	-	-
	-	-	-	-	-	-	1	332-6141	Bearing	2	332-2297	Bushing	-	-	-	-	-	-	-	-	-
160M3	4	7K-9203	Seal	4	7K-9203	Seal	1	3B-8489	Fitting	2	3B-8489	Fitting	4	2D-0626	Seal	4	2D-0626	Seal	-	-	-
	-	-	-	-	-	-	2	2x 7K-9205	Seal	-	-	-	-	-	-	-	-	-	-	-	-
160M4	2	9W-7470	Pin	2	4K-3150	Pin	1	334-7584	Pin	2	4K-3004	Bearing	2	9W-7469	Pin	2	8J-7008	Pin	2	293-2476	Pin
	2	3G-2579	Bearing	2	3G-2579	Bearing	1	332-6141	Bearing	2	332-2297	Bushing	2	3G-2581	Bearing	2	3G-2581	Bearing	-	-	-
160M5	4	7K-9203	Seal	4	7K-9203	Seal	2	7K-9205	Seal	-	-	-	4	2D-0626	Seal	4	2D-0626	Seal	-	-	-
	2	9W-7470	Pin	2	4K-3150	Pin	1	334-7584	Pin	2	4K-3004	Bearing	2	9W-7469	Pin	2	8J-7008	Pin	2	293-2476	Pin
160M6	2	3G-2579	Bearing	2	3G-2579	Bearing	1	332-6141	Bearing	2	332-2297	Bushing	2	3G-2581	Bearing	2	3G-2581	Bearing	-	-	-
	4	7K-9203	Seal	4	7K-9203	Seal	2	7K-9205	Seal	-	-	-	4	2D-0626	Seal	4	2D-0626	Seal	-	-	-
160K	2	9W-7470	Pin	2	4K-3150	Pin	1	2K-0120	Pin	2	4K-3004	Bearing	2	9W-7469	Pin	2	8J-7008	Pin	2	109-6776	Pin
	2	3G-2579	Bearing	2	3G-2579	Bearing	1	8J-9910	Bearing	2	8J-9911	Bearing	2	3G-2581	Bearing	2	3G-2581	Bearing	-	-	-
160K2	4	7K-9203	Seal	4	7K-9203	Seal	1	3B-8489	Fitting	2	3B-8489	Fitting	4	2D-0626	Seal	4	2D-0626	Seal	-	-	-

PART NUMBER INDEX

FEATURE UPGRADES	PAGE #	MODEL	SERIES	REFERENCE PART #
Advanced Control Joysticks	3	120 / 12 / 140 / 150 / 160 / 14	M / M2 / M3 / —	463-6258
Auto Shift	4	120 / 12 / 140 / 150 / 160 / 14	H / K / M / M2 / M3 / —	Contact Cat Dealer
Cat® Grade Solutions ARO, Cross Slope, Cat Grade 3D	4	120 / 12 / 140 / 150 / 160 / 14	M3 / —	Contact Cat Dealer
Auto Articulation	5	120 / 12 / 140 / 150 / 160 / 14	M / M2 / M3 / —	Contact Cat Dealer
Stable Blade	5	120 / 12 / 140 / 150 / 160 / 14	M / M2 / M3 / —	Contact Cat Dealer
Blade Cushion Accumulator	6	120 / 12 / 140 / 150 / 160	M / M2 / M3 / —	442-8145 442-8144
E-Fence: Blade Avoidance	6	140 / 150 / 160	—	Contact Cat Dealer
Reversing Fan	7	12 / 140 / 160	M3	561-5523 561-5524 561-5525
Power Cab Air System	7	120 / 12 / 140 / 160 / 14	M	269-3284
Cat Product Link™- Cellular	8	120 / 12 / 140 / 150 / 160 / 14	H / K / GC / M / M2 / M3 / —	Contact Cat Dealer
Cat Product Link™ - Satellite	8	120 / 12 / 140 / 150 / 160 / 14	H / K / GC / M / M2 / M3 / —	Contact Cat Dealer
Cat Product Link™ - Dual	8	120 / 12 / 140 / 150 / 160 / 14	H / K / GC / M / M2 / M3 / —	Contact Cat Dealer
Auto Differential Lock	8	120 / 12 / 140 / 160 / 14	M	Contact Cat Dealer
Technology Performance Bundle	8	120 / 12 / 140 / 150 / 160 / 14	M / M2 / M3 / —	526-3698
Digital Blade Slope Meter	9	120 / 12 / 140 / 160 / 14	H / K	579-6277 589-5874
Digital Blade Slope Meter	9	140	GC	589-5874
Digital Blade Slope Meter	9	140 (LVR)	—	563-5453
Digital Blade Slope Meter	9	140 / 150 / 160	—	615-8185
Digital Blade Slope Meter	9	140 / 150 / 160 (AWD)	—	615-8188
Digital Blade Slope Meter	9	120 (LV)	—	615-8177
Digital Blade Slope Meter	9	120 (JS)	—	615-8181
Digital Blade Slope Meter	9	120	GC	566-0074
Cat Production Measurement System	9	12 / 140 / 150 / 160 / 14	M3 / —	Contact Cat Dealer
Machine Security System	9	120 / 12 / 140 / 160 / 14	H / M / —	Contact Cat Dealer
Remote Services	9	12 / 140 / 150 / 160 / 14	M3 / —	Contact Cat Dealer
ACCESSORIES	PAGE #	MODEL	SERIES	REFERENCE PART #
Finish Grade Ready Kit	11	120 / 12 / 140 / 160	H / K / —	533-1551
Finish Grade Ready Kit	11	120 / 12 / 140 / 150 / 160	M / M2 / M3 / —	543-0052
Cat Air Compressor	11	120 / 12 / 140 / 150 / 160 / 14	M / M2 / M3 / —	592-2793
Cab Storage Kit	11	120 / 12 / 140 / 150 / 160 / 14	M / M2 / M3 / —	473-5233
Heated Glass - Right	12	120 / 12 / 140 / 150 / 160 / 14	M / M2 / M3 / —	380-3889
Heated Glass - Front	12	120 / 12 / 140 / 160	M / M2 / —	441-4489
Heated Glass - Front	12	120 / 12 / 140 / 150 / 160 / 14	M2 / —	441-4490
Mirror Extensions - Standard	12	120 / 12 / 140 / 150 / 160 / 14	M / M2 / M3 / —	466-5255
Mirror Extensions - Heated	12	120 / 12 / 140 / 150 / 160 / 14	M / M2 / M3 / —	466-5233
Circle Saver	12	12 / 140 / 160 / 14	H / K / M / M2 / —	488-2192

PART NUMBER INDEX

ACCESSORIES	PAGE #	MODEL	SERIES	REFERENCE PART #
Circle Saver	12	120 / 140	GC	531-3390
High Back Seat	12	140	—	591-6989
Longer Arm Rests	12	120 / 12 / 140 / 160	K / GC	(LH) 600-5499 (RH) 600-5498
Moldboard Pivot Pin (Lubricated)	13	120 / 12 / 140 / 160	H / K / M3 / —	526-6468
Moldboard Pivot Pin (Lubricated)	13	14	M / —	567-7552
Jump Start Cables	13	ALL	ALL	8S-2632 9S-3664
Rear View Camera	14	120 / 12 / 140 / 150 / 160 / 14	M / M2 / M3 / —	282-4441
Rear View Camera	14	120 / 140	GC	533-6223
Rear View Camera	14	120 / 140 / 150 / 160	M3 / —	396-3921
Rear View Camera	14	120 / 12 / 140 / 160	K	533-1243
Back Up Alarm (Auto Adjust)	-	ALL	ALL	267-2145
Zero Camber Lean Bar	14	12 / 140 / 160	H / K / GC	103-9125
Beacon	14	120 / 12 / 140 / 150 / 160	H / K / M / M2 / M3 / —	371-2241
Beacon	14	120 / 140	GC	576-7174
Beacon Guard	14	120 / 12 / 140 / 150 / 160	H / K / M / M2 / M3 / —	150-9870
Fast Fill Fuel	14	12 / 120 / 140 / 150 / 160 / 14	M / M2	Contact Cat Dealer
Front Axle Cylinder Guards	15	120 / 12 / 140 / 150 / 160 TD	M / M2 / M3 / —	370-3845
Front Axle Cylinder Guards	15	120 / 12 / 140 / 150 / 160 AWD	M / M2 / M3 / —	367-6905
Front Axle Cylinder Guards	15	14	M	370-8080
Front Axle Cylinder Guards	15	14	M3 / —	424-8974
Front Axle Cylinder Guards (Heavy Duty)	15	14	M / M3 / —	488-1611
Object Detection	15	120 / 12 / 140 / 150 / 160 / 14	H / K / M / M2 / M3 / —	Contact Cat Dealer
Blade Extensions	15	120 / 12 / 140 / 150 / 160	H / K / M / M2 / M3 / —	Contact Cat Dealer
Blade Extensions	15	14	M / M3	Contact Cat Dealer
Swing Out Windows	16	120 / 12 / 140 / 14 / 160	H/K/GC	126-0961
Ground Level Fueling	16	120	—	Contact Cat Dealer
Digital Tire Monitoring System	16	ALL	ALL	434-4542
Seat Belt Indicator	16	ALL	ALL	513-5984
ATTACHMENTS	PAGE #	MODEL	SERIES	REFERENCE PART #
Straight Front Blade	18	120 / 12 / 140 / 150 / 160 / 14	H / K / M / M2 / M3 / —	152-1353
Angle Front Blades - Hydraulic	18	120 / 12 / 140 / 150 / 160 / 14	H / K / M / M2 / M3 / —	524-6851
Angle Front Blades - Manual	18	120 / 12 / 140 / 150 / 160 / 14	H / K / M / M2 / M3 / —	524-6855
Fenders	19	120 / 12 / 140 / 150 / 160 / 14	H / K / GC / M / M2 / M3 / —	Contact Cat Dealer
Front-Mtd Hydraulic Broom	19	120 / 12 / 140 / 150 / 160 / 14	M / M2 / M3 / —	202-9000
Front-Mtd Hydraulic Broom - Mtg Grp	19	120 / 12 / 140 / 150 / 160 / 14	M / M2 / M3 / —	548-8592
Push Block / Counterweight	20	120 / 12 / 140 / 150 / 160 / 14	H / K / M / M2 / M3 / —	Contact Cat Dealer
Front Lift Group	20	120 / 12 / 140 / 150 / 160 / 14	H / K / M / M2 / M3 / —	312-2204

PART NUMBER INDEX

ATTACHMENTS	PAGE #	MODEL	SERIES	REFERENCE PART #
Front-Mounted Scarifier	21	120 / 12 / 140 / 150 / 160 / 14	H / K / M / M2 / M3 / —	212-6231
Mid-Mount Scarifier	21	120 / 12 / 140 / 150 / 160 / 14	H / K / M / M2 / M3 / —	310-9451
Rear Ripper / Scarifier	22	120 / 12 / 140 / 150 / 160 / 14	H / K / M / M2 / M3 / —	310-0684
SNOW SOLUTIONS	PAGE #	MODEL	SERIES	REFERENCE PART #
Cold Weather Package	23	12 / 140 / 150 / 160 / 14	H / K / M / M2 / M3 / —	Contact Cat Dealer
U/V Angle Blade	23	12 / 140 / 150 / 160	H / K / M / M2 / M3 / —	524-6861
U/V Angle Blade	23	14	H / K / M / M3 / —	527-8685
V Plows	23	12 / 140 / 150 / 160 / 14	H / K / M / M2 / M3 / —	524-6839
Mastless Snow Wings	24	12 / 140 / 150 / 160	H / K / M / M2 / M3 / —	517-7339
Mastless Snow Wings	24	14	H / K / M / M3 / —	517-7344
Masted Snow Wing	24	12 / 140 / 150 / 160 / 14	H / K / M / M2 / M3 / —	483-5957
Curb Stop	24	12 / 140 / 150 / 160 / 14	H / K / M / M2 / M3 / —	562-4682
Trip Edge - 3 ft	24	12 / 140 / 150 / 160 / 14	H / K / M / M2 / M3 / —	562-4670
Trip Edge - 4 ft	24	12 / 140 / 150 / 160 / 14	H / K / M / M2 / M3 / —	562-4648
Straight Front Blade	25	12 / 140 / 150 / 160 / 14	H / K / M / M2 / M3 / —	524-6868
Angle Front Blades - Hydraulic	25	12 / 140 / 150 / 160 / 14	H / K / M / M2 / M3 / —	524-6851
Angle Front Blades - Manual	25	12 / 140 / 150 / 160 / 14	H / K / M / M2 / M3 / —	524-6855
Trip Blade	25	12 / 140 / 150 / 160	H / K / M / M2 / M3 / —	524-6844
Trip Blade	25	14	H / K / M / M3 / —	524-6847
Sy-Klone Air Cleaner	25	12 / 140 / 150 / 160 / 14	H / K / M / M2 / M3 / —	380-6775
Sy-Klone Air Cleaner	25	140	GC	586-4553
LED LIGHTS	PAGE #	MODEL	SERIES	REFERENCE PART #
Dome	35	120 / 12 / 140 / 150 / 160 / 14	H / K / GC / M / M2 / M3 / -	375-1478
Flood – Front & Rear Working	35	120 / 12 / 140 / 150 / 160 / 14	H / K / GC / M / M2 / M3 / -	550-2445
Headlight RH (Roading)	35	120 / 12 / 140 / 150 / 160 / 14	H / K / GC / M / M2 / M3 / -	525-5297
Headlight LH (Roading)	35	120 / 12 / 140 / 150 / 160 / 14	H / K / GC / M / M2 / M3 / -	525-5298
Rear Turn Signal (Roading)	35	120 / 12 / 140 / 150 / 160 / 14	H / K / GC / M / M2 / M3 / -	379-3416
Stop & Tail (Roading)	35	120 / 12 / 140 / 150 / 160 / 14	H / K / GC / M / M2 / M3 / -	259-8450
Warning Beacon	35	120 / 12 / 140 / 150 / 160 / 14	H / K / GC / M / M2 / M3 / -	338-1132
Warning Beacon Mounting Group	35	120 / 12 / 140 / 150 / 160 / 14	H / K / GC / M / M2 / M3 / -	361-3137
Cab Light Long Range	35	120 / 12 / 140 / 150 / 160 / 14	H / K / GC / M / M2 / M3 / -	550-2446

* — New nomenclature for MG Series

NOTES

THANK YOU FOR CHOOSING A CAT[®] MOTOR GRADER.

Cat[®] Motor Graders offer world-class cab design, easy-to-use controls and advanced electronics and hydraulics to give you optimum productivity for any application. This guide will provide you with a quick reference for the available aftermarket components and the common maintenance parts you need to keep your Motor Grader working hard for you.

AFTERMARKET COMPONENTS

Customize your Cat Motor Grader to fit your needs with a variety of specialized products designed for your industry and application. These features, accessories and attachments help optimize and maintain your machine, so you can get the most out of every use.

COMMON MAINTENANCE PARTS

Preventive maintenance helps extend the life of your machine and protect your investment. Only Cat Parts are made to match your machine's specific filtration needs, lubrication requirements and exact maintenance cycles. That's why our parts kits make it easier to maintain your machine and keep it running at peak performance.

LET'S DO THE WORK.™

PEBJ0139-05
January
2023

© 2020 Caterpillar. All Rights Reserved. CAT, CATERPILLAR, their respective logos, "Caterpillar Corporate Yellow," the "Power Edge" trade dress, as well as corporate and product identity used herein, are trademarks of Caterpillar and may not be used without permission. VisionLink is a trademark of Trimble Navigation Limited, registered in the United States and in other countries.

