



725, 730, 730 EJ, 735, 740 GC, 740 EJ, 745 ARTICULATED TRUCKS

SERIAL NUMBER PREFIXES: 3T9, 3T3, 3F3, 3T4, 3F4, 3T5, 3F5, 3T8, 3F8, 3T7, 3F7, 3T6, 3F6

PARTS REFERENCE GUIDE

LET'S DO THE WORK.™




PROTECT YOUR INVESTMENT WITH GENUINE CAT® PARTS

Thank you for selecting the Cat® Articulated Truck.

This guide is designed to provide you with a quick reference for the parts and part numbers you need to keep your Cat® Articulated Truck running at peak efficiency. Always read and understand the machine's Operation and Maintenance Manual prior to performing any type of maintenance.

MAINTENANCE

Proactive preventative maintenance extends the life of your machine and protects your investment. Only Caterpillar knows Cat equipment's filtration and lubrication requirements and offers parts kits to match your machine's maintenance cycles.

SCHEDULED MAINTENANCE PARTS	
	GREASES
	PLANNED MAINTENANCE

REPLACEMENT PARTS

Proper maintenance minimizes the need for repair and replacement. In the event that replacement parts are required for this product, Caterpillar recommends using original Caterpillar® replacement parts. Other parts may not meet certain original equipment specifications.

OCCASIONAL REPAIR PARTS
ENGINE PARTS
ENGINE COMPONENTS
MAJOR COMPONENTS
FASTENER, O-RING, AND WASHER KITS
CYLINDERS AND KITS
DUMP BODY LINERS

GREASES ARTICULATED TRUCKS

Previous Cat Product Name	STANDARD MAINTENANCE GREASES			GREASES FOR UNIQUE APPLICATIONS AND ENVIRONMENTS		
	Cat Ultra5 Moly #1	Cat Ultra5 Moly #2	Cat Advanced 3 Moly	Cat Arctic Platinum	Cat Desert Gold	Cat Multipurpose
Current Cat Product Name	Cat Extreme Application Grease 1	Cat Extreme Application Grease 2	Cat Prime Application Grease	Cat Extreme Application Grease - Arctic	Cat Extreme Application Grease - Desert	Cat Utility Grease
Grade (NLGI)	1	2	2	0	2	2
Melting Point C° (F°)	260 (500)	260 (500)	260 (500)	230 (446)	280 (536)	260 (500)
Ambient Temperature C° (F°)	35 to +40 (-31 to +104)	-30 to +50 (-22 to +122)	-20 to +40 (-4 to +104)	35 to +40 (-31 to +104)	-30 to +50 (-22 to +122)	-20 to +1100 (-4 to +2012)
Base Oil Type	Mineral	Mineral	Mineral	Semi-Synthetic	Mineral	Mineral
Color	Dark Gray	Dark Gray	Dark Gray	Dark Grey	Dark Grey	Blue
Cartridge (390 g / 14 oz)	452-5996	452-6001	452-6006	508-2184	452-6016	452-6011
Plastic Pail (5 kg / 11 lb)	-	-	-	-	-	-
Plastic Pail (16 kg / 35 lb)	452-5999	452-6004	452-6009	508-2187	452-6019	452-6014
Keg (55 kg / 120 lb)	452-5998	452-6003	452-6008	508-2186	452-6018	452-6013
Drum (180 kg / 400 lb)	452-5997	452-6002	452-6007	508-2185	452-6017	452-6012



PLANNED MAINTENANCE

ARTICULATED TRUCK		EVERY 500 HOURS				
		Engine Oil/Filter Change	Primary Fuel Filter	Secondary Fuel Filter	Transmission Oil Filter	Serpentine Belt
Sales Model	Serial Number Prefix	Filter Element	Water Separator	Filter Element	Filter Element	Inspect
725	3T9	1R-1808	326-1643	1R-0749 (Quantity 2)	389-1088	374-8492
730	3T3, 3F3					374-8483
730 EJ	3T4, 3F4					374-8483 (3T4) 364-6417 (3F4)
735	3T5, 3F5					374-8483
740 GC	3T8, 3F8				337-5270	331-9604
740 EJ	3T7, 3F7					
745	3T6, 3F6					

ARTICULATED TRUCK		EVERY 1,000 HOURS						
		Transmission Oil - Change	Hydraulic System		Transfer Case Oil/Filter - Change			
Sales Model	Serial Number Prefix	Oil Quantity - TDTO Gallon (Liter)	Breather Element	Filter Element	Filter Element	Oil Quantity - Cat® TDTO Gallon (Liter)		
725	3T9	12.4 (47)	157-7911	523-4919	130-3212	6.1 (23)		
730	3T3, 3F3	9.2 (35)	4H-6112			23.7 (90) Includes Transfer Case	183-3873	23.7 (90) Includes Transmission
730 EJ	3T4, 3F4							
735	3T5, 3F5	23.7 (90) Includes Transfer Case	183-3873	132-8876	337-5270	23.7 (90) Includes Transmission		
740 GC	3T8, 3F8			132-8876 (Quantity 2)				
740 EJ	3T7, 3F7							
745	3T6, 3F6							

ARTICULATED TRUCK		EVERY 2,000 HOURS													
		Front Differential Oil - Change	Center Differential Oil - Change		Rear Differential Oil - Change		Hydraulic Tank	Air Conditioning	Brake System	Axle - Front and Rear	Fumes Disposal				
Sales Model	Serial Number Prefix	Oil Quantity - TDTO Gallon (Liter)	Differential - Oil Quantity - TDTO Gallon (Liter)	Final Drives - Oil Quantity - TDTO Gallon (Liter)	Differential - Oil Quantity - TDTO Gallon (Liter)	Final Drives - Oil Quantity - TDTO Gallon (Liter)	Breather Element	A/C Receiver Dryer	Oil Quantity - TDTO Gallon (Liter)	Breather	Filter Element				
725	3T9	10.8 (41)	11.4 (43)	1.3 (5) Per Final Drive	10.8 (41)	1.3 (5) Per Final Drive	157-7911	355-1793	-	6U-1989	344-5108				
730	3T3, 3F3	10.6 (40)	12.2 (46)	0.9 (3.5) Per Final Drive	12.2 (46)	0.9 (3.5) Per Final Drive					183-3873	18 (68)	-	-	326-4690 (3T3)*
730 EJ	3T4, 3F4														326-4690 (3T4)**
735	3T5, 3F5														326-4690 (3T5)***
740 GC	3T8, 3F8	15.8 (60)	15.8 (60)	1.3 (5) Per Final Drive	15.8 (60)	1.3 (5) Per Final Drive	183-3873	18 (68)	-	-	-				
740 EJ	3T7, 3F7														
745	3T6, 3F6														

* Not applicable to Serial Number Prefix 3F3.
 ** Not applicable to Serial Number Prefix 3F4.
 *** Not applicable to Serial Number Prefix 3F5.

ARTICULATED TRUCK		EVERY 4,000 HOURS
		Hydraulic Oil - Change
Sales Model	Serial Number Prefix	Cat® HYDO TDTO, Oil Quantity - Gallon (Liter)
725	3T9	47 (178)
730	3T3, 3F3	52.6 (199)
730 EJ	3T4, 3F4	
735	3T5, 3F5	
740 GC	3T8, 3F8	37 (140)
740 EJ	3T7, 3F7	56 (212)
745	3T6, 3F6	37 (140)

ARTICULATED TRUCK		12,000 HOURS	
		Engine Cooling System Extender Life	Extender
Sales Model	Serial Number Prefix	Cat® ELC Coolant Quantity - Gallon (Liter)	Quantity - Ounce (Liter)
725	3T9	22 (83.2)	73 (2.15)
730	3T3, 3F3	21.1 (83)	
730 EJ	3T4, 3F4		
735	3T5, 3F5		
740 GC	3T8, 3F8	23.7 (90)	
740 EJ	3T7, 3F7		
745	3T6, 3F6		

ARTICULATED TRUCK		EVERY 5,000 HOURS
		Diesel Exhaust Fluid (DEF)
Sales Model	Serial Number Prefix	Filter Element
725	3T9	378-3187
730	3T3	
730 EJ	3T4	
735	3T5	
740 GC	3T8	
740 EJ	3T7	
745	3T6	

ARTICULATED TRUCK		EVERY 6,000 HOURS			
		Engine Cooling System Ex- tender Life	Extender	Thermostat/Water Temperature Regulator - Replace	
Sales Model	Serial Number Prefix	Cat ELC Gallon (Liter)	Quantity Ounce (Liter)	Regulator	Seal
725	3T9	21.1 (83)	73 (2.15)	318-0004	-
730	3T3, 3F3			248-5513 (Quantity 2)	341-1429
730 EJ	3T4, 3F4				
735	3T5, 3F5	23.7 (90)	73 (2.15)	248-5513 (Quantity 2)	341-1429
740 GC	3T8, 3F8				
740 EJ	3T7, 3F7				
745	3T6, 3F6				

ARTICULATED TRUCK		EVERY 10,000 HOURS
		Diesel Exhaust Fluid (DEF) Manifold
Sales Model	Serial Number Prefix	Filter Element
725	3T9	584-8135
730	3T3	506-5818 (Quantity 2)
730 EJ	3T4	
735	3T5	
740 GC	3T8	506-5818
740 EJ	3T7	
745	3T6	



ARTICULATED TRUCK		EVERY 3 YEARS
		Cab
Sales Model	Serial Number Prefix	Seat Belt
725	3T9	566-5659
730	3T3, 3F3	
730 EJ	3T4, 3F4	
735	3T5, 3F5	
740 GC	3T8, 3F8	
740 EJ	3T7, 3F7	
745	3T6, 3F6	

ARTICULATED TRUCK		WHEN REQUIRED						
		Air Cleaner		Electrical	Cab Air	Ether Starting Aid	Belt	Automatic Lubrication Grease
Sales Model	Serial Number Prefix	Primary Filter Element	Secondary Filter Element	Battery	Filter Element	Cylinder	Serpentine belt	Cartridge
725	3T9	142-1339 - Standard 220-0453 - Ultra High Efficiency	142-1404	153-5700 (Quantity 2)	485-5433 (Front) 485-5435 (Rear)	-	374-8492	452-6006
730	3T3, 3F3	142-1340 - Standard 220-0454 - Ultra High Efficiency	142-1403	115-2422 (Quantity 4)		275-3634	374-8483	
730 EJ	3T4, 3F4						374-8483 (3T4) 364-6417 (3F4)	
735	3T5, 3F5						374-8483	
740 GC	3T8, 3F8						142-1340	
740 EJ	3T7	373-1765	373-1766					
	3F7	142-1340	142-1403					
745	3T6	373-1765	373-1766	275-3634		7N-0296		
	3F6			7N-0296				



ENGINE*

Sales Model	Serial Number Prefix	Description	New Part Number	Remanufactured Part Number	Quantity
725	3T9	Engine	559-5813	11R-0113 (Complete Engine) 20R-6188 (Short Block) 20R-6191 (Long Block)	1
			549-5019	-	1
730, 730 EJ	3T3, 3T4		563-8675 488-6140	11R-0095 (Complete Engine) 20R-2862 (Short Block) 20R-5121 (Long Block)	1
	3F3, 3F4		488-6139	11R-0093 (Complete Engine)	1
735	3T5		488-6138	11R-0093 (Complete Engine) 20R-5609 (Short Block)	1
	3F5		488-6143	20R-2862 (Short Block)	1
740 GC	3T8		563-8681 550-4622	-	1
			488-6141 488-6142	-	1
	3F8		563-5880	20R-2864 (Short Block) 20R-5259 (Long Block)	1
740 EJ, 745	3T7, 3T6		550-4654 545-7788	20R-5259 (Long Block)	1
			545-7786 545-7787	-	1
740 EJ, 745	3T7, 3T6		579-8800 563-5881 550-4670	20R-5133 (Short Block)	1
		488-6146	20R-7938 (Complete Engine) 20R-5133 (Short Block)	1	
740 EJ, 745	3F7, 3F6	488-6144	11R-0090 (Complete Engine) 20R-7831 (Short Block) 20R-8819 (Long Block)	1	
		488-6145	11R-0090 (Complete Engine)	1	

*Confirm the correct part number with your local Cat dealer.



ENGINE COMPONENTS

Sales Model	Serial Number Prefix	Description	New Part Number	Remanufactured Part Number	Quantity	
725	3T9	Water Pump	557-9567	-	1	
730, 735	3T3, 3T5		361-5607	-	1	
730 EJ, 735	3T4, 3F5		376-4216	20R-0951	1	
730, 730 EJ	3F3, 3F4		352-0205	-	1	
740 GC, 740 EJ, 745	3T8, 3T7, 3T6		374-4752	20R-2814	1	
740 GC, 740 EJ, 745	3F8, 3F7, 3F6		366-0168	20R-0952	1	
725, 730, 730 EJ, 735, 740 GC, 740 EJ, 745	3T9, 3T3, 3T4, 3T5, 3T8, 3T7, 3T6	Fuel Priming Pump	361-5084	-	1	
730, 735, 730 EJ, 740 GC, 745, 740 EJ	3F3, 3F4, 3F5, 3F8, 3F7, 3F6		247-6050	-	1	
725	3T9	Engine Oil Pump	293-9798	10R-6398	1	
730, 730 EJ, 735	3T3, 3T4, 3T5		489-2309	20R-6161	1	
740 GC	3T8, 3F8		161-4113	0R-9449	1	
730, 730 EJ	3F3, 3F4		233-5220	10R-2296	1	
740 EJ, 745	3T7, 3F7, 3T6, 3F6		226-1191	20R-4330	1	
725	3T9	Fuel Transfer Pump	371-3586	20R-0822	1	
730, 730 EJ, 735	3T3, 3T4, 3T5		388-7286	20R-1527	1	
740 GC, 740 EJ, 745	3T8, 3T7, 3T6		388-7287	20R-1528	1	
730, 735	3F3, 3F5, 3F4		384-8611	20R-1524	1	
740 GC, 745, 740 EJ	3F8, 3F6, 3F7		384-8612	20R-1525	1	
725	3T9	Turbocharger	424-3437	-	1	
730, 730 EJ, 735	3T3, 3T4, 3T5		424-3445	20R-3704	1	
740 EJ, 745	3T7, 3T6		450-0557	20R-4500	1	
740 GC	3T8		450-0529	-	1	
730	3F3, 3F4		378-7689	20R-3693	1	
735	3F5		525-7197	-	1	
740 EJ, 745	3F7, 3F6		392-6940	20R-7011	1	
740 GC	3F8		362-0853	20R-3179	1	
730, 730 EJ, 735	3T3, 3F3, 3T4, 3F4, 3T5, 3F5		348-7651	20R-3250	1	
725, 740 GC, 740 EJ, 745	3T9, 3T8, 3F8, 3T7, 3F7, 3T6, 3F6		338-3454	10R-9815	1	
725	3T9	Fuel Injector	456-3509	20R-5075	6	
730, 730 EJ, 735	3T3, 3T4, 3T5		378-4609	20R-3452	6	
730, 730 EJ	3F3, 3F4		249-0713	10R-3262	6	
735	3F5		249-0705	10R-7236	6	
740 EJ, 745	3T7, 3T6		371-8045	20R-3454	6	
740 EJ, 745	3F7, 3F6		291-5911	10R-7230	6	
740 GC	3T8		371-8891	20R-3455	6	
740 GC	3F8		355-6110	20R-8047	6	
725, 730, 735, 730EJ, 740GC, 740EJ, 745	3T9, 3T3, 3F3, 3T4, 3F4, 3T5, 3F5, 3T8, 3F8, 3T7, 3F7, 3T6, 3F6		Alternator	344-5081	20R-0958	1
725	3T9		Compressor-Refrigerant	324-9711	-	1
730, 735, 730 EJ, 740 GC, 740 EJ, 745	3T3, 3F3, 3T4, 3F4, 3T5, 3F5, 3T8, 3F8, 3T7, 3F7, 3T6, 3F6	472-0559		-	1	
725	3T9	Clean Emissions Module (CEM)	545-5444	-	1	
730	3T3		545-5441	-	1	
735	3T5			-	1	
730 EJ	3T4			-	1	
740 GC	3T8		545-5439	11R-1713	1	
745	3T6				1	
740 EJ	3T7				1	

MAJOR COMPONENTS

Sales Model	Serial Number Prefix	Description	New Part Number	Remanufactured Part Number	Quantity
725, 730, 730 EJ, 735	3T9, 3T3, 3F3, 3T4, 3F4, 3T5, 3F5	Piston Steering Pump	501-8370	-	1
740GC, 740 EJ	3T8, 3F8, 3T7, 3F7		374-2567		1
745	3T6, 3F6		373-6528		20R-9174
725, 730, 730 EJ, 735	3T9, 3T3, 3F3, 3T4, 3F4, 3T5, 3F5	Brake and Hydraulic Fan Piston Pump	501-8368	-	1
740 GC	3T8, 3F8		374-2570	-	1
740 EJ, 745	3T7, 3F7, 3T6, 3F6		373-6527	20R-8954	1
725, 730, 730 EJ, 735	3T9, 3T3, 3F3, 3T4, 3F4, 3T5, 3F5	Fan Motor	500-6135	-	1
740 GC, 740 EJ, 745	3T8, 3F8, 3T7, 3F7, 3T6, 3F6		448-6796		1
725, 730 EJ	3T9, 3F4	Secondary Steering Pump	523-8669	-	1
730, 730 EJ, 735	3T3, 3F3, 3T4, 3T5, 3F5		523-8669		1
740 GC, 740 EJ, 745	3T8, 3F8, 3T7, 3F7, 3T6, 3F6		369-7919		1
725, 730, 730 EJ, 735	3T9, 3T3, 3F3, 3T4, 3F4, 3T5, 3F5	Engine Mounted Powertrain Pump	389-0413	-	1
740 GC, 740 EJ, 745	3T8, 3F8, 3T7, 3F7, 3T6, 3F6		376-9744		1
725	3T9	Transmission	490-3820	-	1
730, 730 EJ	3T3, 3F3, 3T4, 3F4		495-2987		1
735	3T5, 3F5		494-3248		1
740 GC, 740 EJ, 745	3T8, 3F8, 3T7, 3F7, 3T6, 3F6	Output Transfer Gear	600-7716	20R-9569 11R-1297	1
725, 730, 730 EJ, 735	3T9, 3T3, 3F3, 3T4, 3F4, 3T5, 3F5		338-2557	20R-9565	1
740 GC, 740 EJ, 745	3T8, 3F8, 3T7, 3F7, 3T6, 3F6	Front Differential	360-1500	-	1
725, 730, 730 EJ, 735	3T9, 3T3, 3F3, 3T4, 3F4, 3T5, 3F5		493-2481	-	1
740 GC, 740 EJ, 745	3T8, 3F8, 3T7, 3F7, 3T6, 3F6	Center Differential	504-1908	20R-9436	1
725, 730, 730 EJ, 735	3T9, 3T3, 3F3, 3T4, 3F4, 3T5, 3F5		493-2482	-	1
740 GC, 740 EJ, 745	3T8, 3F8, 3T7, 3F7, 3T6, 3F6	Rear Differential	504-1909	20R-9433	1
725, 730, 730 EJ, 735	3T9, 3T3, 3F3, 3T4, 3F4, 3T5, 3F5		493-2483	-	1
740 GC, 740 EJ, 745	3T8, 3F8, 3T7, 3F7, 3T6, 3F6	Front, Center, Rear - Final Drive	504-1910	20R-9436	1
725, 730, 730 EJ	3T9, 3T3, 3F3, 3T4, 3F4		415-6360	20R-9432	1
735	3T5, 3F5		495-4917	-	1
740 GC, 740 EJ, 745	3T8, 3F8, 3T7, 3F7, 3T6, 3F6	Driveshaft - Transmission to Output Transfer Gear	558-3899	20R-8269	1
725, 735	3T9, 3T5, 3F5		512-7233	-	1
730, 730 EJ	3T3, 3F3, 3T4, 3F4		510-5903	-	1
740 GC, 740 EJ, 745	3T8, 3F8, 3T7, 3F7, 3T6, 3F6	Driveshaft - Output Transfer Gear to Front Axle	506-2962	-	1
725, 730, 730 EJ, 735	3T9, 3T3, 3F3, 3T4, 3F4, 3T5, 3F5		510-5904	-	1
740 GC, 740 EJ, 745	3T8, 3F8, 3T7, 3F7, 3T6, 3F6	Driveshaft - Output Transfer Gear to Hitch	506-2963	-	1
725, 730, 730 EJ, 735	3T9, 3T3, 3F3, 3T4, 3F4, 3T5, 3F5		510-5905	-	1
740 GC, 740 EJ, 745	3T8, 3F8, 3T7, 3F7, 3T6, 3F6	Driveshaft - Hitch to Center	506-2964	-	1
725, 730, 730 EJ, 735	3T9, 3T3, 3F3, 3T4, 3F4, 3T5, 3F5		510-5906	-	1
740 GC	3T8, 3F8		497-5007	-	1
740 EJ, 745	3T7, 3F7, 3T6, 3F6	Driveshaft - Center to Rear Axle	506-2965	-	1
725, 730, 730 EJ, 735	3T9, 3T3, 3F3, 3T4, 3F4, 3T5, 3F5		510-5922	-	1
740 GC, 740 EJ, 745	3T8, 3F8, 3T7, 3F7, 3T6, 3F6		506-2966	-	1

FASTENER, O-RING AND WASHER GENERAL USE KIT

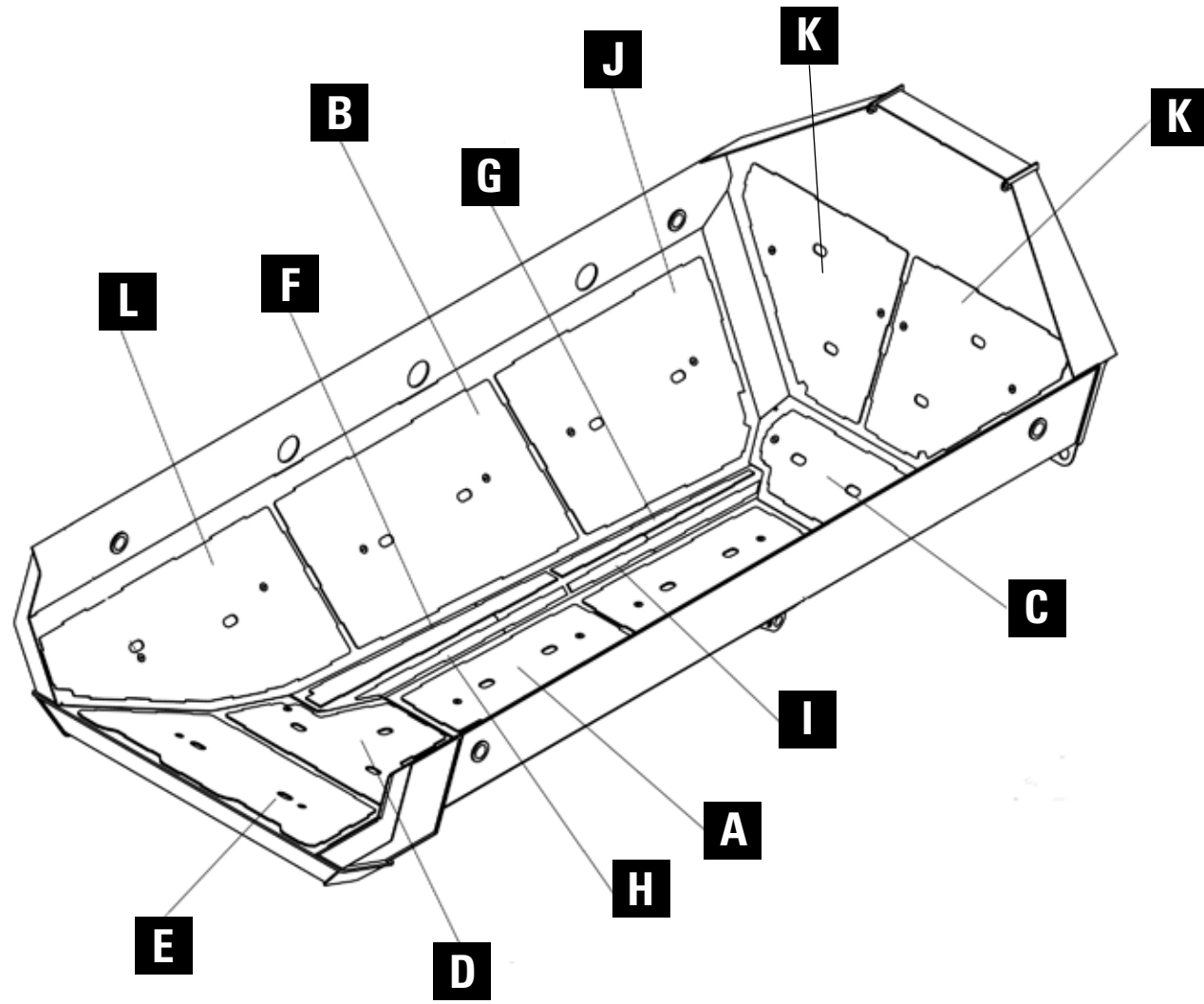
Sales Model	Serial Number Prefix	Description	Part Number
All	All	Fastener Kit	178-2211
		Washer Kit	606-0849
		O-Ring Kit	603-3605

CYLINDERS AND KITS

Sales Model	Serial Number Prefix	Description	New Cylinder Part Number	Remanufactured Part Number	Reseal Kit Part Number	Quantity
725, 730, 730 EJ, 735	3T9, 3T3, 3F3, 3T4, 3F4, 3T5, 3F5	Front Suspension Cylinder, Left/Right	341-4122	-	416-0092	2
740 GC, 740 EJ, 745	3T8, 3F8, 3T7, 3F7, 3T6, 3F6		447-2272	-	416-0092	2
725	3T9	Hoist Cylinder	285-4031	-	449-7672	2
730	3T3, 3F3		285-4032	20R-9527	449-9517	2
735, 740 GC	3T5, 3F5, 3T8, 3F8		447-1582	-	-	2
745	3T6, 3F6	Ejector Cylinder	428-8692	11R-0016	416-0066	2
730 EJ	3T4, 3F4		443-8482	-	306-8081 257-2524	1
740 EJ	3T7, 3F7	Tailgate Cylinder	423-9982	-	229-5980 306-8080	1
			493-5401	-	571-8474	
730 EJ	3T4, 3F4	Steering Cylinder, Left	236-5335	-	270-1539 270-1528 603-3605	2
740 EJ	3T7, 3F7		167-7329	-	238-4462	1
725, 730, 730 EJ, 735	3T9, 3T3, 3F3, 3T4, 3F4, 3T5, 3F5	Steering Cylinder, Right	450-5232	-	-	1
725, 730, 730 EJ, 735	3T9, 3T3, 3F3, 3T4, 3F4, 3T5, 3F5	Steering Cylinder, Right	450-5231	-	-	1
740 GC, 740 EJ, 745	3T8, 3F8, 3T7, 3F7, 3T6, 3F6	Steering Cylinder, Left/Right	223-1335	20R-9633	217-9894	2



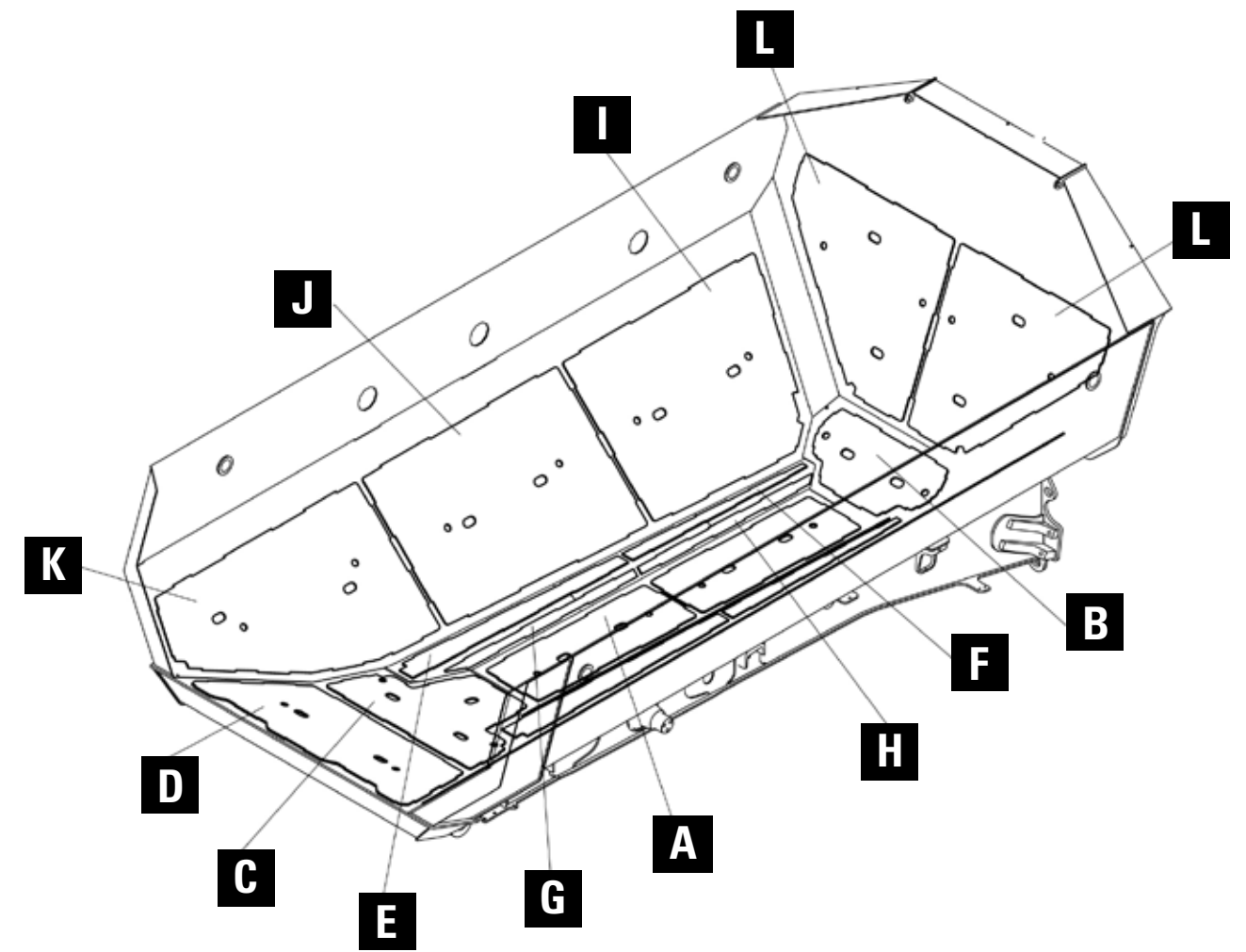
DUMP BODY LINERS



DUMP BODY LINERS

Sales Model	Serial Number Prefix	Item Location	Part Number	Quantity
725, 730	3T9, 3T3, 3F3	A	232-0501	2
		B	232-0504	2
		C	232-0506	1
		D	232-0507	1
		E	232-0508	1
		F	232-1674	2
		G	232-1675	2
		H	232-3022	2
		I	232-3023	2
		J	390-0892	2
		K	390-8022	2
		L	523-7005	2

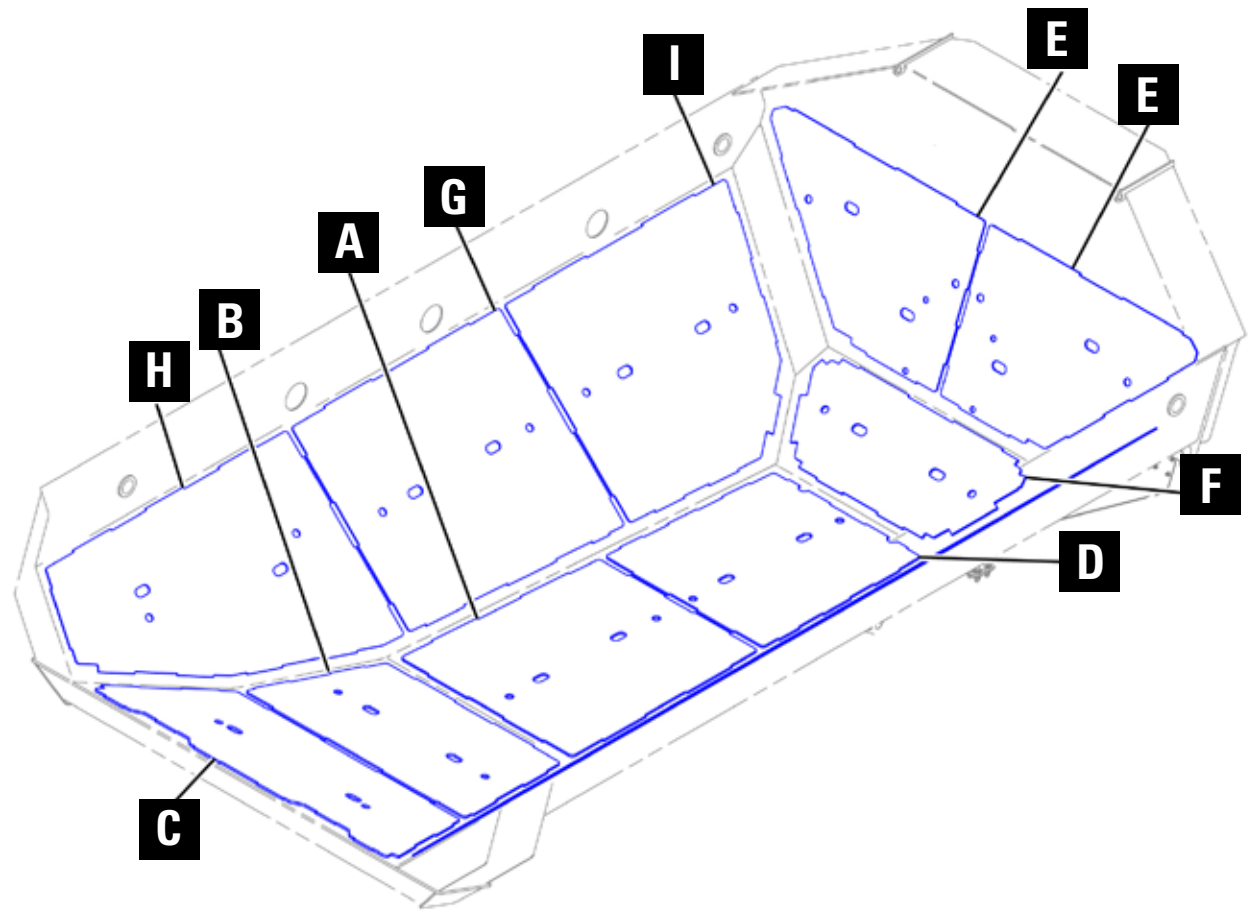
DUMP BODY LINERS



DUMP BODY LINERS

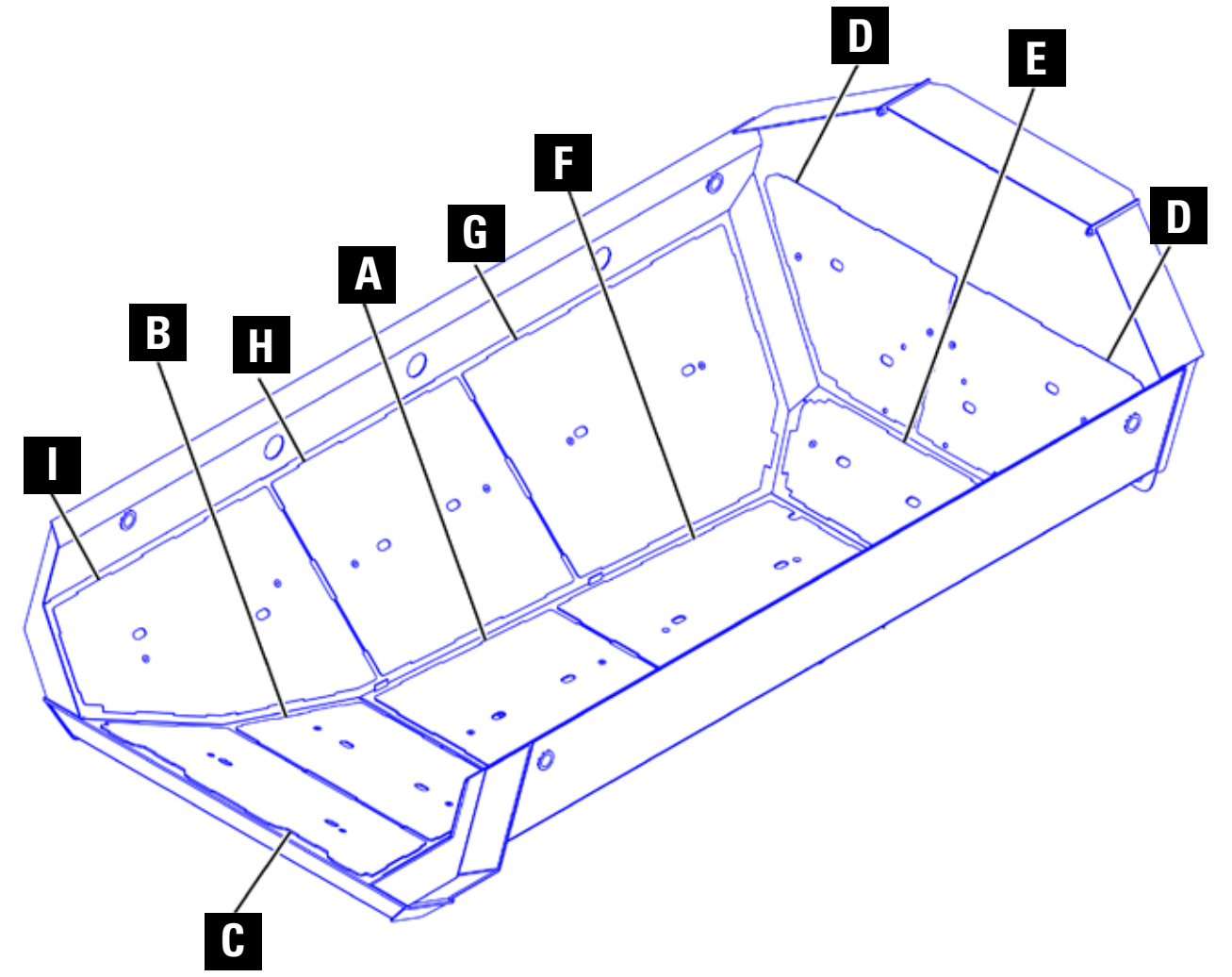
Sales Model	Serial Number Prefix	Item Location	Part Number	Quantity
735	3T5, 3F5	A	232-0501	2
		B	232-0506	1
		C	232-0507	1
		D	232-0508	1
		E	232-1674	2
		F	232-1675	2
		G	232-3022	2
		H	232-3023	2
		I	491-5230	2
		J	491-5231	2
		K	491-5232	2
		L	491-5233	2

DUMP BODY LINERS



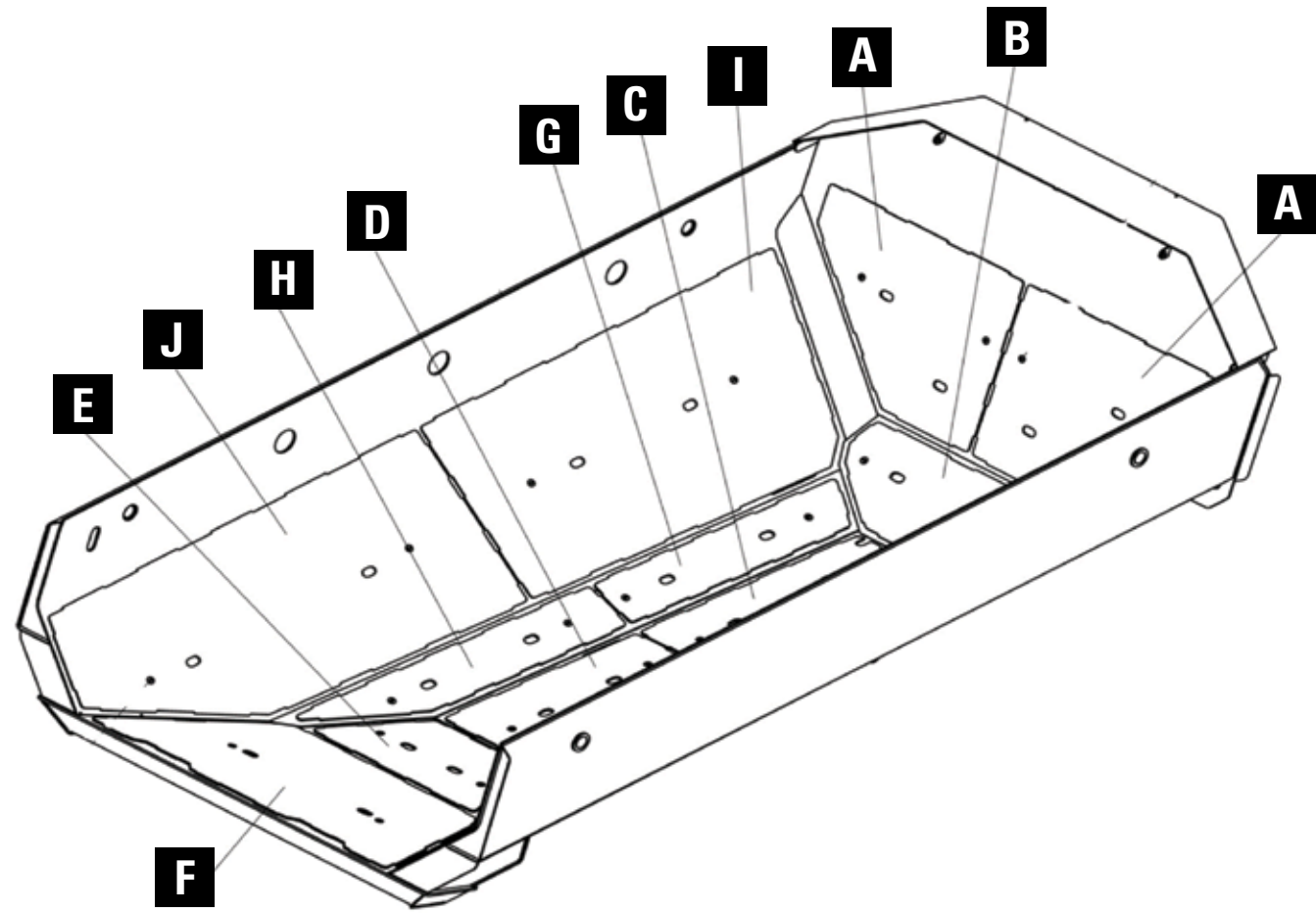
DUMP BODY LINERS				
Sales Model	Serial Number Range	Item Location	Part Number	Quantity
740 GC	3T800001-05400 3F800001-05100	A	143-4002	1
		B	233-6950	1
		C	233-6951	1
		D	301-4831	1
		E	398-9914	2
		F	398-9915	1
		G	435-5703	2
		H	435-5709	2
		I	545-5274	2

DUMP BODY LINERS



DUMP BODY LINERS				
Sales Model	Serial Number Range	Item Location	Part Number	Quantity
745	3T600001-05600 3F600001-05500	A	143-4002	1
		B	233-6950	1
		C	233-6951	1
		D	398-9914	2
		E	398-9915	1
		F	398-9917	1
		G	398-9918	2
		H	435-5703	2
		I	435-5709	2

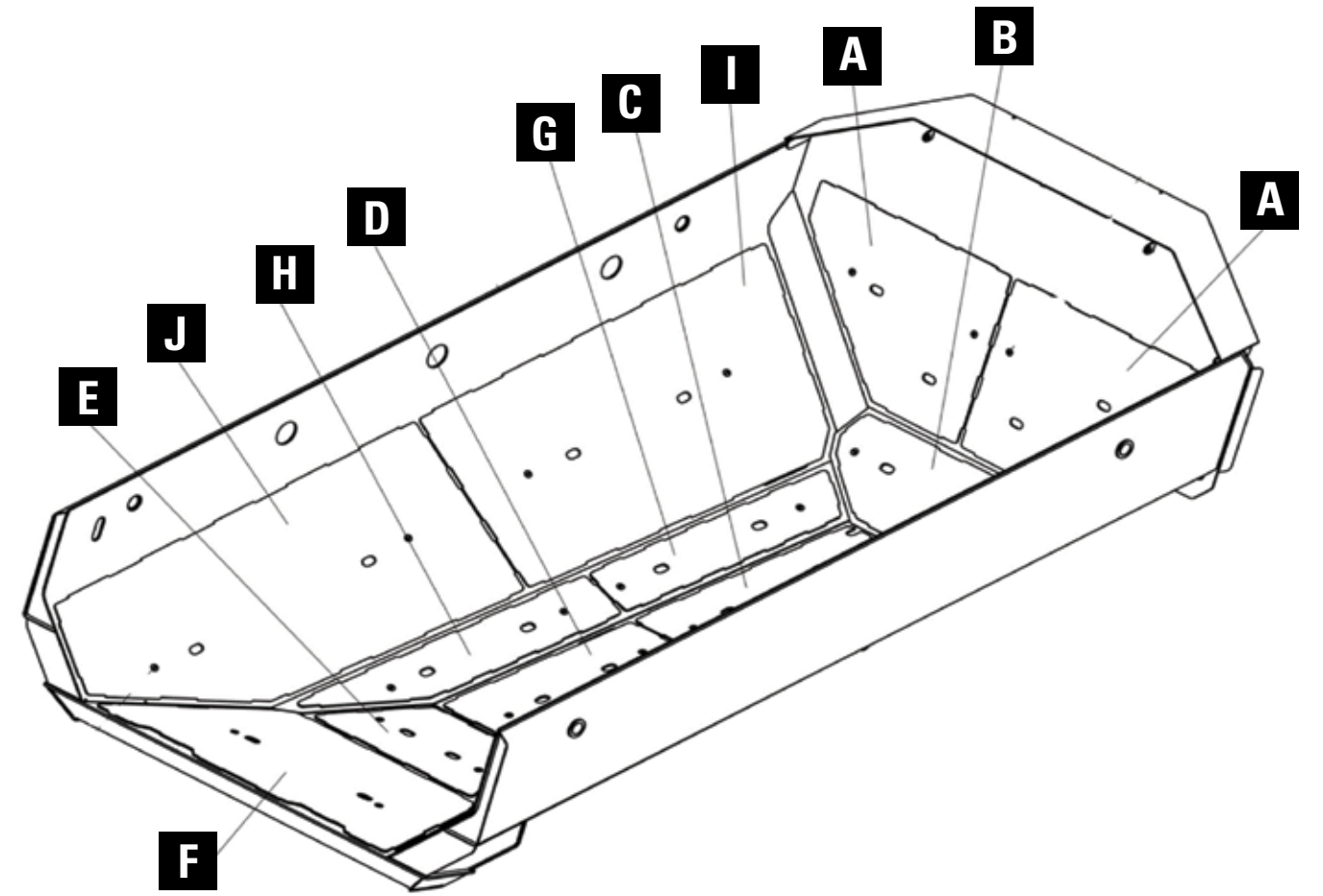
DUMP BODY LINERS



DUMP BODY LINERS

Sales Model	Serial Number Range	Item Location	Part Number	Quantity
740 GC	3T805401-99999 3F805101-99999	A	609-3744	2
		B	609-3745	1
		C	609-3747	1
		D	609-3749	1
		E	609-3750	1
		F	609-3753	1
		G	609-3755	2
		H	609-3756	2
		I	609-3757	2
		J	609-3758	2

DUMP BODY LINERS



DUMP BODY LINERS

Sales Model	Serial Number Range	Item Location	Part Number	Quantity
745	3T605601-99999 3F605501-99999	A	609-3759	2
		B	609-3760	1
		C	609-3761	1
		D	609-3763	1
		E	609-3764	1
		F	609-3765	1
		G	609-3766	2
		H	609-3767	2
		I	609-3768	2
		J	609-3769	2



Cat Filters Provide Longer Injector Life

Chances are, you don't skip oil changes or regular maintenance on the family car. So why skip planned maintenance on your Cat equipment? Cat fuel filters outperform the competition, with up to 45% longer injector life and up to 80% decreased cost per hour.*



Productivity and Hydraulics Go Hand In Hand

If your hydraulic system isn't performing at peak efficiency, it's robbing your machine of performance. Efficiency losses usually occur slowly and can reach 20% before you detect a problem — that's one day of lost production every week! These losses can also increase your fuel consumption and operating costs.



Need help?

Your local Cat dealer can provide:

- Technical Support
- Customer Value Agreements
- Oil sample analysis
- Parts needed and equipment fit
- Repair financing
- Rental Services

Find your local dealer at www.cat.com today.



LET'S DO THE WORK.™



To buy Cat parts online, visit Parts.cat.com.

AEX03497
(Global)

© 2022 Caterpillar. All Rights Reserved. CAT, CATERPILLAR, LET'S DO THE WORK, their respective logos, "Caterpillar Corporate Yellow", the "Power Edge" and Cat "Modern Hex" trade dress as well as corporate and product identity used herein, are trademarks of Caterpillar and may not be used without permission.

