

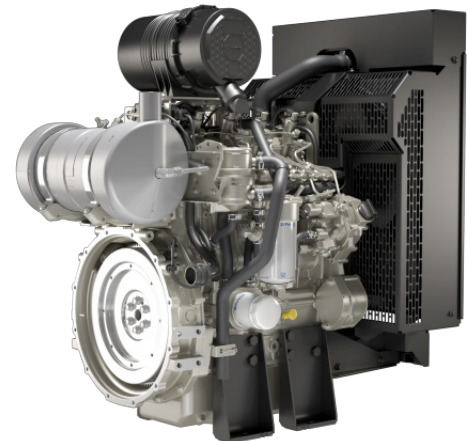
# 404J-E22T

EU Stage V/U.S. EPA Tier 4 Final/  
Japan 2014 (Tier 4 Final)

45 kW (60 hp) @ 2800 rpm

Industrial Open Power Unit  
(IOPU)

The Perkins® 404J-E22T IOPU provides a complete plug-and-play power solution to meet EU Stage V, U.S. EPA Tier 4 Final and Japan 2014 (Tier 4 Final) emission standards. With a wide choice of options, engine configurations and robust technologies, you can integrate the 404J-E22T into equipment with minimal re-engineering that can help save valuable costs.



## Features and benefits

### Low cost installation

Perkins IOPU is available with aftertreatment and air filter ready mounted from factory. Additionally, multiple installation options, provide an easy installation for OEM's and minimise the IOPU total size to enable a low cost installation into your machine.

### Powerful performance

Broad range of options for agricultural, materials handling, construction, mining, aircraft ground support, and other industrial applications. Improved power by 25 percent and torque by 34 percent over the previous generation Perkins engine. Fuel efficiency optimised to match operating cycles of a wide range of non-road equipment encourages standardisation across numerous applications or OEM variants to help reduce your variety.

### Straightforward maintenance

Oil service is only needed every 500 hours. Service points are located on the cold side of the engine for a safer service. Factory fitted Diesel Particulate Filter is made for the life of your engine and no workcycle interruption for regeneration.

Specification	
Cylinders	4
Displacement, litres (in <sup>3</sup> )	2.2 (135)
Aspiration	Turbocharged
Bore and stroke, mm (in)	84 x 100 (3.3 x 3.9)
Maximum power, kW (hp)	45 (60)
Rated speed, rpm	2800
Maximum torque, Nm (lb ft) @ rpm	222 (164) @ 1600
Combustion system	Direct injection
Weight, kg (lb)	281 (619) dry / 296 (653) wet
Rotation (viewed from flywheel)	Anti-clockwise

For more information please contact a Perkins distributor: <http://distributorlocator.perkins.com>

All information in this document is substantially correct at time of printing and may be altered subsequently.  
Photographs are for illustrative purposes only and may not reflect final specification.  
Final weight and dimensions will depend on completed specification.  
Information subject to selected configuration, and subject to change without notice  
Engine power measured per ISO 14396:2002  
PN3276EN-00 (07-22) Produced in England ©2022 Perkins Engines Company Limited

 **Perkins®**

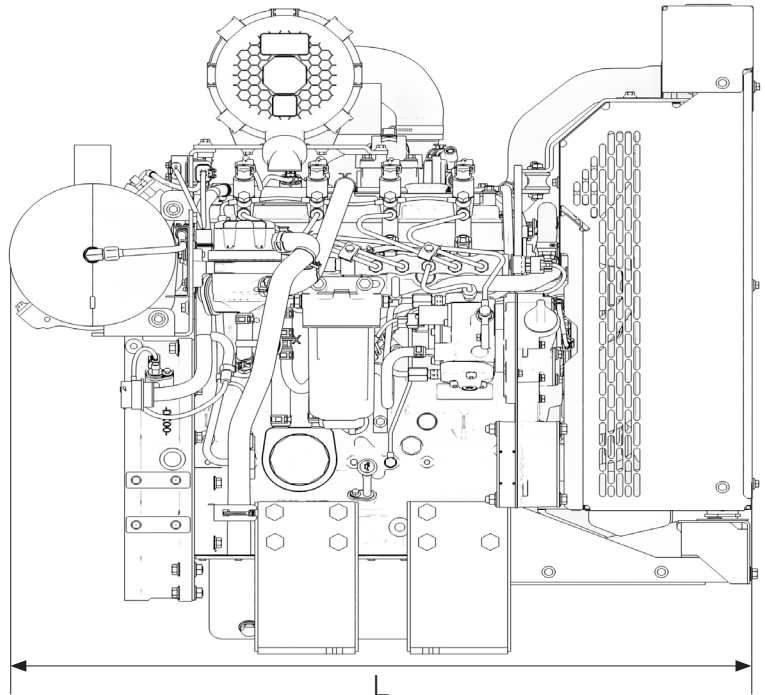
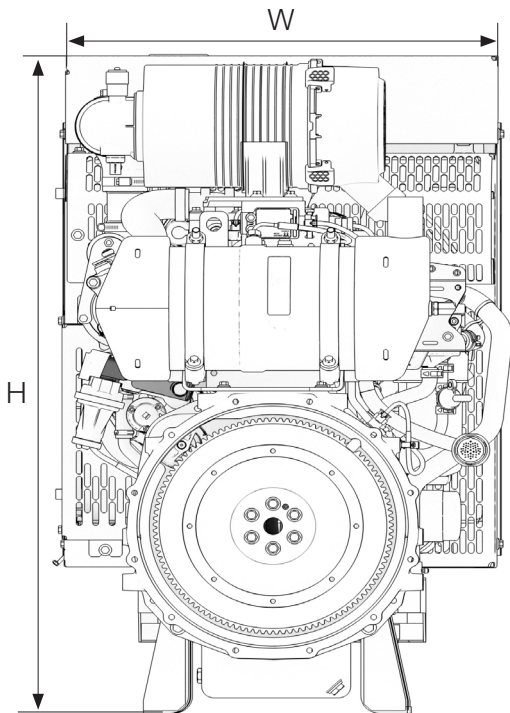
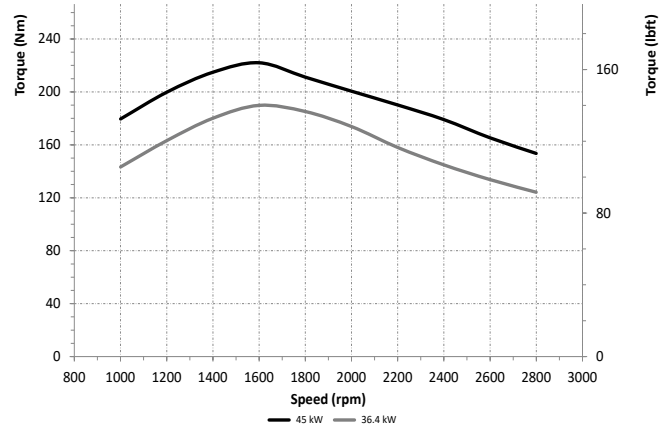
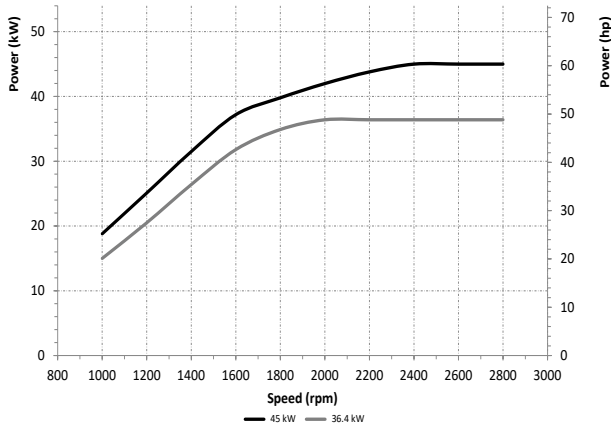
THE HEART OF EVERY GREAT MACHINE

# 404J-E22T

Industrial Open Power Unit  
(IOPU)

EU Stage V/U.S. EPA Tier 4 Final/  
Japan 2014 (Tier 4 Final)

45 kW (60 hp) @ 2800 rpm



## Dimensions and weight

Length (including fan), mm (in)	965 (38.0)
Width, mm (in)	622 (24.5)
Height, mm (in)	985 (38.8)
Weight, kg (lb)	281 (619) dry / 296 (653) wet

For more information please contact a Perkins distributor: <http://distributorlocator.perkins.com>

All information in this document is substantially correct at time of printing and may be altered subsequently.  
Photographs are for illustrative purposes only and may not reflect final specification.  
Final weight and dimensions will depend on completed specification.  
Information subject to selected configuration, and subject to change without notice.  
Engine power measured per ISO 14396:2002  
PN3276EN-00 (07-22) Produced in England ©2022 Perkins Engines Company Limited

 **Perkins®**

THE HEART OF EVERY GREAT MACHINE