



966

Wheel Loader

Technical Specifications

Not all attachments available in all regions. Consult your Cat® dealer for specific configurations available in your region.

Table of Contents

| | |
|--|------------|
| Specifications | 2 |
| Engine | 2 |
| Bucket Capacities | 2 |
| Weight | 2 |
| Operating Specifications | 2 |
| Transmission | 2 |
| Hydraulic System | 3 |
| Brakes | 3 |
| Axles | 3 |
| Service Refill Capacities | 3 |
| Cab | 3 |
| Sound | 3 |
| Air Conditioning System | 3 |
| Dimensions | 4 |
| Tire Options | 5 |
| Bucket Fill Factors and Selection Guide | 7 |
| Operating Specifications – Buckets | 13 |
| Fork Specifications | 65 |
| Material Handling Arm Specifications | 68 |
| Standard and Optional Equipment | 71 |
| 966 Waste & Scrap Handler Configuration | 74 |
| Key Features and Benefits | 74 |
| 966 Waste and Scrap Handler Features | 75 |
| Tire Options | 76 |
| Operating Specifications – Buckets | 77 |
| 966 Forestry Machine Configuration | 88 |
| Key Features and Benefits | 88 |
| 966 Forestry Machine Features | 89 |
| Tire Options | 90 |
| Operating Specifications – Buckets | 91 |
| Fork Specifications | 93 |
| Material Handling Arm Specifications | 124 |
| 966 Corrosion Resistant Configuration | 126 |
| Key Features and Benefits | 126 |
| 966 Corrosion Resistant Features | 127 |

966 Wheel Loader Specifications

Engine – (U.S. EPA Tier 3/Stage IIIA equivalent)

| | | |
|--|------------|--------------|
| Engine Model | Cat® C9.3B | |
| Engine Power @ 1,600 rpm – ISO 14396:2002 | 239 kW | 321 hp |
| ISO 14396:2002 (DIN) | 325 mhp | |
| Gross Power @ 1,600 rpm – SAE J1995:2014 | 242 kW | 325 hp |
| SAE J1995:2014 (DIN) | 329 mhp | |
| Net Power @ 1,600 rpm – ISO 9249:2007, SAE J1349:2011 | 226 kW | 303 hp |
| ISO 9249:2007, SAE J1349:2011 (DIN) | 307 mhp | |
| Engine Torque @ 1,200 rpm – ISO 14396:2002 | 1781 N·m | 1,313 lbf-ft |
| Gross Torque @ 1,200 rpm – SAE J1995:2014 | 1799 N·m | 1,327 lbf-ft |
| Net Torque @ 1,200 rpm – ISO 9249:2007, SAE J1349:2011 | 1702 N·m | 1,255 lbf-ft |
| Bore | 115 mm | |
| Stroke | 149 mm | |
| Displacement | 9.3 L | |

- Cat engine meets Brazil MAR-1, UN ECE R96 Stage IIIA and China Nonroad Stage III emission standards, equivalent to U.S. EPA Tier 3 and EU Stage IIIA.
 - The net power advertised is the power available at the flywheel when the engine is equipped with fan, alternator, air cleaner, and muffler.
 - Cat engines are compatible with the following renewable, alternative, and biodiesel* fuels that reduce greenhouse gases on a lifecycle basis:
 - Up to B20 biodiesel (FAME) **
 - Up to 100% HVO and GTL renewable fuels
- * Refer to guidelines for successful application. Please consult your Cat dealer or “Caterpillar Machine Fluids Recommendations” (SEBU6250) for details.*
- ** B30, where mandated, can be used. For use of higher blends, up to B100, consult your Cat dealer.*

Bucket Capacities

| | | |
|--------------|---------------------------|----------------------------|
| Bucket Range | 2.80-11.90 m ³ | 3.75-15.50 yd ³ |
|--------------|---------------------------|----------------------------|

Weight

| | | |
|------------------|-----------|-----------|
| Operating Weight | 23 196 kg | 51,124 lb |
|------------------|-----------|-----------|

- Weight based on a machine configuration with Bridgestone 26.5R25 VJT L3 radial tires, full fluids, operator, standard counterweight, ride control, cold start, roading fenders, Product Link™, front manual differential/open rear axles, power train guard, secondary steering, sound suppression, and a 4.2 m³ (5.5 yd³) general purpose bucket with BOCE.

Operating Specifications

| | | |
|--|-----------|------------|
| Static Tipping Load – Full Turn | | |
| Maximum Articulation Angle (Full Turn) | 37° | |
| With Tire Deflection | 14,849 kg | 32,727 lb |
| No Tire Deflection | 15,981 kg | 35,224 lb |
| Breakout Force | 174 kN | 38,999 lbf |

- For a machine configuration as defined under “Weight.”
- Full compliance to ISO 14397-1:2007 Sections 1 thru 6, which requires 2% verification between calculations and testing.

Transmission

| | | |
|-----------|-----------|----------|
| Forward 1 | 6.7 km/h | 4.2 mph |
| Forward 2 | 13.5 km/h | 8.4 mph |
| Forward 3 | 24.2 km/h | 15.0 mph |
| Forward 4 | 39.5 km/h | 24.5 mph |
| Reverse 1 | 7.3 km/h | 4.5 mph |
| Reverse 2 | 14.8 km/h | 9.2 mph |
| Reverse 3 | 26.6 km/h | 16.5 mph |
| Reverse 4 | 39.5 km/h | 24.5 mph |

- Maximum travel speed in standard vehicle with empty bucket and standard L3 tires with 849 mm (33 in) roll radius.

966 Wheel Loader Specifications

Hydraulic System

| | | |
|--|---|------------|
| Implement Pump Type | Variable Displacement Piston, load sensing | |
| Implement System: | | |
| Maximum Pump Output (2,275 rpm) | 373 L/min | 99 gal/min |
| Maximum Operating Pressure | 31 000 kPa | 4,496 psi |
| Optional 3 rd Function Maximum Flow at Work Tool | 240 L/min | 63 gal/min |
| Optional 3 rd Function Maximum Pressure at Work Tool | 20 684 kPa | 3,000 psi |
| Optional 4 th Function Maximum Flow at Work Tool | 240 L/min | 63 gal/min |
| Optional 4 th Function Maximum Pressure at Work Tool | 20 684 kPa | 3,000 psi |
| Hydraulic Cycle Time with Rated Payload: | | |
| Raise from Carry Position | 6.1 seconds | |
| Dump, at Maximum Raise | 1.4 seconds | |
| Lower, Empty, Float Down | 2.6 seconds | |
| Total | 10.1 seconds | |

Brakes

| | |
|--------|-------------------------------------|
| Brakes | Brakes meet ISO 3450:2011 standards |
|--------|-------------------------------------|

Axles

| | |
|-------|-------------------------------|
| Front | Fixed |
| Rear | Oscillating, ± 13 degrees |

Service Refill Capacities

| | | |
|--|--------|----------|
| Fuel Tank | 303 L | 80.1 gal |
| Cooling System | 66 L | 17.4 gal |
| Crankcase | 23 L | 6.1 gal |
| Transmission | 58.5 L | 15.5 gal |
| Differentials and Final Drives – Front | 57 L | 15.1 gal |
| Differentials and Final Drives – Rear | 57 L | 15.1 gal |
| Hydraulic Tank | 114 L | 30.1 gal |

Cab

| | |
|-----------|--|
| ROPS/FOPS | ROPS/FOPS meet ISO 3471:2008 and ISO 3449:2005 Level II standards |
|-----------|--|

Sound

With Cooling Fan Speed at Maximum Value:

| | |
|---|--------------|
| Operator Sound Pressure Level (ISO 6396:2008) | 72 dB(A) |
| Exterior Sound Power Level (ISO 6395:2008) | 109 dB(A) |
| Exterior Sound Pressure Level (SAE J88:2013) | 76 dB(A)* |
| *Distance of 15 m (49.2 ft), moving forward in second gear ratio. | |
| With Cooling Fan Speed at 70% of Maximum Value:** | |
| Operator Sound Pressure Level (ISO 6396:2008) | 69 dB(A) |
| Exterior Sound Power Level | 108 dB(A)*** |

** For machines in European Union countries and in countries that adopt the “EU Directives.”

*** European Union Directive “2000/14/EC” as amended by “2005/88/EC.”

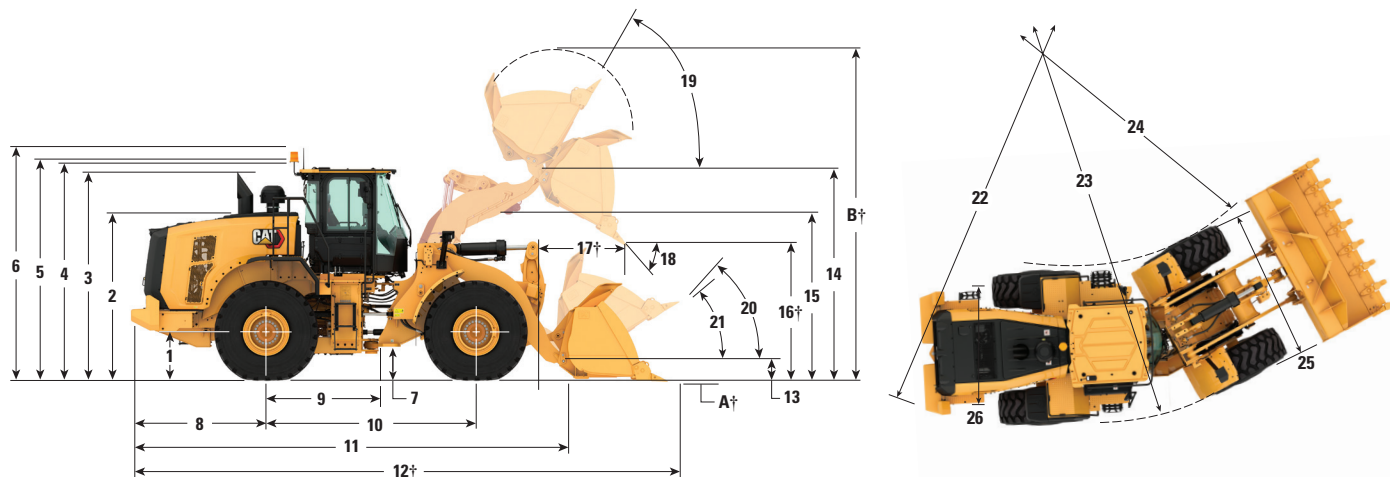
Air Conditioning System

- The air conditioning system on this machine contains the fluorinated greenhouse gas refrigerant R134a (Global Warming Potential = 1430). The system contains 1.6 kg (3.5 lb) of refrigerant which has a CO₂ equivalent 2.288 metric tonnes (2.522 tons).

966 Wheel Loader Specifications

Dimensions

All dimensions are approximate.



| | Standard Lift | | High Lift | |
|---|---------------|--------|------------|--------|
| 1 Height to Axle Centerline | 809 mm | 2'7" | 809 mm | 2'7" |
| 2 Height to Top of Hood | 2850 mm | 9'5" | 2850 mm | 9'5" |
| 3 Height to Top of Exhaust Pipe | 3531 mm | 11'8" | 3531 mm | 11'8" |
| 4 Height to Top of ROPS | 3593 mm | 11'10" | 3593 mm | 11'10" |
| 5 Height to Top of Product Link™ Antenna | 3607 mm | 11'11" | 3607 mm | 11'11" |
| 6 Height to Top of Warning Beacon | 3871 mm | 12'9" | 3871 mm | 12'9" |
| 7 Ground Clearance | 424 mm | 1'4" | 424 mm | 1'4" |
| 8 Center Line of Rear Axle to Edge of Counterweight | 2290 mm | 7'7" | 2458 mm | 8'1" |
| 9 Center Line of Rear Axle to Hitch | 1775 mm | 5'10" | 1775 mm | 5'10" |
| 10 Wheelbase | 3550 mm | 11'8" | 3550 mm | 11'8" |
| 11 Overall Length (without bucket) | 7399 mm | 24'4" | 8069 mm | 26'6" |
| 12 Shipping Length (with bucket level on ground)*† | 8851 mm | 29'1" | 9521 mm | 31'3" |
| 13 Hinge Pin Height at Carry Height | 635 mm | 2'0" | 782 mm | 2'6" |
| 14 Hinge Pin Height at Maximum Lift | 4245 mm | 13'11" | 4804 mm | 15'9" |
| 15 Lift Arm Clearance at Maximum Lift | 3687 mm | 12'1" | 4183 mm | 13'8" |
| 16 Dump Clearance at Maximum Lift and 45° Discharge*† | 3001 mm | 9'10" | 3560 mm | 11'8" |
| 17 Reach at Maximum Lift and 45° Discharge*† | 1350 mm | 4'5" | 1326 mm | 4'4" |
| 18 Dump Angle at Maximum Lift and Dump (on stops)* | 49 degrees | | 48 degrees | |
| 19 Rack Back at Maximum Lift* | 62 degrees | | 71 degrees | |
| 20 Rack Back at Carry Height* | 50 degrees | | 49 degrees | |
| 21 Rack Back at Ground* | 39 degrees | | 37 degrees | |
| 22 Clearance Circle (dia) to Counterweight | 13 588 mm | 44'7" | 13 608 mm | 44'8" |
| 23 Clearance Circle (dia) to Outside of Tires | 13 621 mm | 44'9" | 13 621 mm | 44'9" |
| 24 Clearance Circle (dia) to Inside of Tires | 7598 mm | 25'0" | 7598 mm | 25'0" |
| 25 Width over Tires (unloaded) | 2978 mm | 9'10" | 2978 mm | 9'10" |
| Width over Tires (loaded) | 3012 mm | 9'11" | 3012 mm | 9'11" |
| 26 Tread Width | 2230 mm | 7'3" | 2230 mm | 7'3" |

†Dimensions are listed in Operating Specifications charts.

All height and tire related dimensions are with Bridgestone 26.5R25 VJT L3 radial tires (see Tire Option Chart for other tires). "Width over Tires" dimensions are over the bulge and include growth.

*All dimensions are approximate and based on machine equipped with 4.2 m³ (5.5 yd³) general purpose bucket with BOCE. (see Operating Specifications for other buckets)

966 Wheel Loader Specifications

Tire Options

| Tire Brand | BRIDGESTONE | BRIDGESTONE | BRIDGESTONE | BRIDGESTONE | BRIDGESTONE | BRIDGESTONE |
|--|------------------|--------------------|--------------------|--------------------|------------------|--------------------|
| Tire Size | 26.5R25 | 26.5R25 | 26.5R25 | 26.5-25 | 26.5-25 | 775/65R29 |
| Tread Type | L3 | L4 | L5 | L3 | L4 | L3 |
| Tread Pattern | VJT | VSNT | VSDL | VL2 | RLS | VTS |
| Casing Strength | * | * | * | 20PR | 26PR | * |
| Width over Tires – Maximum (empty)* | 2978 mm 9'10" | 2960 mm 9'9" | 2959 mm 9'9" | 2937 mm 9'8" | 2942 mm 9'8" | 3046 mm 10'0" |
| Width over Tires – Maximum (loaded)* | 3012 mm 9'11" | 2991 mm 9'10" | 2983 mm 9'10" | 2948 mm 9'9" | 2960 mm 9'9" | 3070 mm 10'1" |
| Change in Vertical Dimensions (average of front and rear) | | 26 mm 1" | 43 mm 1.7" | -4 mm -0.1" | 38 mm 1.5" | 11 mm 0.4" |
| Change in Horizontal Reach | | -21 mm -0.8" | -26 mm -1" | 0 mm 0" | -24 mm -0.9" | -1 mm 0" |
| Change in Clearance Circle to Outside of Tires | | -21 mm -0.8" | -29 mm -1.1" | -63 mm -2.5" | -52 mm -2" | 58 mm 2.3" |
| Change in Clearance Circle to Inside of Tires | | 21 mm 0.8" | 29 mm 1.1" | 63 mm 2.5" | 52 mm 2" | -58 mm -2.3" |
| Change in Operating Weight (without Ballast) | | 460 kg 1,014 lb | 972 kg 2,143 lb | -364 kg -803 lb | 112 kg 247 lb | 692 kg 1,525 lb |
| Change in Static Tipping Load – Straight | | 334 kg 735 lb | 705 kg 1,554 lb | -264 kg -582 lb | 81 kg 179 lb | 501 kg 1,106 lb |
| Change in Static Tipping Load – Articulated | | 297 kg 654 lb | 627 kg 1,382 lb | -235 kg -518 lb | 72 kg 159 lb | 446 kg 984 lb |
| Rear Axle Oscillation Angle | ±13 degrees | ±13 degrees | ±8 degrees | ±13 degrees | ±13 degrees | ±8 degrees |
| Maximum Single-wheel Rise and Fall | 502 mm 1'8" | 502 mm 1'8" | 310 mm 1'1" | 502 mm 1'8" | 502 mm 1'8" | 310 mm 1'1" |

| Tire Brand | MICHELIN | MICHELIN | MICHELIN | MAXAM | MAXAM | MAXAM |
|--|--------------------|--------------------|--------------------|------------------|--------------------|--------------------|
| Tire Size | 26.5R25 | 26.5R25 | 775/65R29 | 26.5R25 | 26.5R25 | 775/65R29 |
| Tread Type | L3 | L5 | L3 | L3 | L5 | L3 |
| Tread Pattern | XHA2 | XLDD2 | XHA2 | MS302 | MS503 | MS302 |
| Casing Strength | ** | * | * | ** | ** | ** |
| Width over Tires – Maximum (empty)* | 2986 mm 9'10" | 2970 mm 9'9" | 3019 mm 9'11" | 2972 mm 9'9" | 2960 mm 9'9" | 3038 mm 10'0" |
| Width over Tires – Maximum (loaded)* | 3016 mm 9'11" | 3005 mm 9'11" | 3049 mm 10'1" | 2947 mm 9'9" | 2986 mm 9'10" | 3063 mm 10'1" |
| Change in Vertical Dimensions (average of front and rear) | -11 mm -0.4" | 39 mm 1.5" | 4 mm 0.1" | 14 mm 0.5" | 47 mm 1.9" | 38 mm 1.5" |
| Change in Horizontal Reach | 3 mm 0.1" | -31 mm -1.2" | 2 mm 0.1" | -7 mm -0.3" | -28 mm -1.1" | -23 mm -0.9" |
| Change in Clearance Circle to Outside of Tires | 5 mm 0.2" | -7 mm -0.3" | 38 mm 1.5" | -65 mm -2.6" | -26 mm -1" | 52 mm 2" |
| Change in Clearance Circle to Inside of Tires | -5 mm -0.2" | 7 mm 0.3" | -38 mm -1.5" | 65 mm 2.6" | 26 mm 1" | -52 mm -2" |
| Change in Operating Weight (without Ballast) | -164 kg -362 lb | 552 kg 1,217 lb | 504 kg 1,110 lb | -16 kg -35 lb | 692 kg 1,526 lb | 684 kg 1,507 lb |
| Change in Static Tipping Load – Straight | -119 kg -262 lb | 400 kg 882 lb | 365 kg 805 lb | -12 kg -26 lb | 502 kg 1,106 lb | 496 kg 1,093 lb |
| Change in Static Tipping Load – Articulated | -106 kg -233 lb | 356 kg 785 lb | 325 kg 716 lb | -10 kg -23 lb | 446 kg 984 lb | 441 kg 972 lb |
| Rear Axle Oscillation Angle | ±13 degrees | ±8 degrees | ±8 degrees | ±13 degrees | ±8 degrees | ±8 degrees |
| Maximum Single-wheel Rise and Fall | 502 mm 1'8" | 310 mm 1'1" | 310 mm 1'1" | 502 mm 1'8" | 310 mm 1'1" | 310 mm 1'1" |

*Width over tire bulge and includes tire growth.

966 Wheel Loader Specifications

Tire Options

| Tire Brand | TRIANGLE | TRIANGLE | GOODYEAR | GOODYEAR | GOODYEAR |
|--|-------------------|--------------------|------------------|------------------|--------------------|
| Tire Size | 26.5R25 | 26.5-25 | 26.5R25 | 26.5R25 | 26.5R25 |
| Tread Type | L3 | L3 | L3 | L4 | L5 |
| Tread Pattern | TB516 | TL612 | RT3B | GP4D | RT5D |
| Casing Strength | ** | 20PR | ** | ** | ** |
| Width over Tires – Maximum (empty)* | 2969 mm 9'9" | 2948 mm 9'9" | 2979 mm 9'10" | 2985 mm 9'10" | 2982 mm 9'10" |
| Width over Tires – Maximum (loaded)* | 2991 mm 9'10" | 2958 mm 9'9" | 2994 mm 9'10" | 3033 mm 10'0" | 3013 mm 9'11" |
| Change in Vertical Dimensions (average of front and rear) | 14 mm 0.5" | 17 mm 0.7" | 20 mm 0.8" | 5 mm 0.2" | 41 mm 1.6" |
| Change in Horizontal Reach | -6 mm -0.2" | -2 mm -0.1" | -2 mm -0.1" | -5 mm -0.2" | -26 mm -1" |
| Change in Clearance Circle to Outside of Tires | -21 mm -0.8" | -54 mm -2.1" | -17 mm -0.7" | 22 mm 0.8" | 1 mm 0" |
| Change in Clearance Circle to Inside of Tires | 21 mm 0.8" | 54 mm 2.1" | 17 mm 0.7" | -22 mm -0.8" | -1 mm 0" |
| Change in Operating Weight (without Ballast) | -64 kg -141 lb | -372 kg -820 lb | 276 kg 609 lb | 272 kg 600 lb | 988 kg 2,179 lb |
| Change in Static Tipping Load – Straight | -46 kg -102 lb | -270 kg -595 lb | 200 kg 441 lb | 197 kg 435 lb | 716 kg 1,579 lb |
| Change in Static Tipping Load – Articulated | -41 kg -91 lb | -240 kg -529 lb | 178 kg 393 lb | 175 kg 387 lb | 637 kg 1,405 lb |
| Rear Axle Oscillation Angle | ±13 degrees | ±13 degrees | ±13 degrees | ±13 degrees | ±8 degrees |
| Maximum Single-wheel Rise and Fall | 502 mm 1'8" | 502 mm 1'8" | 502 mm 1'8" | 502 mm 1'8" | 310 mm 1'1" |

| Tire Brand | GOODYEAR | GOODYEAR | BRAWLER HPS SMOOTH | BRAWLER HPS TRACTION |
|--|--------------------|--------------------|-----------------------|-------------------------|
| Tire Size | 26.5R25 | 775/65R29 | 26.5R25 | 26.5R25 |
| Tread Type | L5 | L4 | N/A | N/A |
| Tread Pattern | RL5K | GP4D | Smooth | Traction |
| Casing Strength | ** | ** | N/A | N/A |
| Width over Tires – Maximum (empty)* | 3046 mm 10'0" | 3072 mm 10'1" | 2959 mm 9'9" | 2959 mm 9'9" |
| Width over Tires – Maximum (loaded)* | 3171 mm 10'5" | 3118 mm 10'3" | 2968 mm 9'9" | 2968 mm 9'9" |
| Change in Vertical Dimensions (average of front and rear) | 45 mm 1.8" | 13 mm 0.5" | 37 mm 1.5" | 34 mm 1.3" |
| Change in Horizontal Reach | -23 mm -0.9" | -6 mm -0.2" | 11 mm 0.4" | 11 mm 0.4" |
| Change in Clearance Circle to Outside of Tires | 160 mm 6.3" | 107 mm 4.2" | -44 mm -1.7" | -44 mm -1.7" |
| Change in Clearance Circle to Inside of Tires | -160 mm -6.3" | -107 mm -4.2" | 44 mm 1.7" | 44 mm 1.7" |
| Change in Operating Weight (without Ballast) | 896 kg 1,976 lb | 720 kg 1,587 lb | 4300 kg 9,482 lb | 4076 kg 8,988 lb |
| Change in Static Tipping Load – Straight | 650 kg 1,432 lb | 522 kg 1,150 lb | 3118 kg 6,874 lb | 2955 kg 6,516 lb |
| Change in Static Tipping Load – Articulated | 578 kg 1,274 lb | 464 kg 1,023 lb | 2774 kg 6,116 lb | 2629 kg 5,797 lb |
| Rear Axle Oscillation Angle | ±8 degrees | ±8 degrees | ±8 degrees | ±8 degrees |
| Maximum Single-wheel Rise and Fall | 310 mm 1'1" | 310 mm 1'1" | 310 mm 1'1" | 310 mm 1'1" |

*Width over tire bulge and includes tire growth.

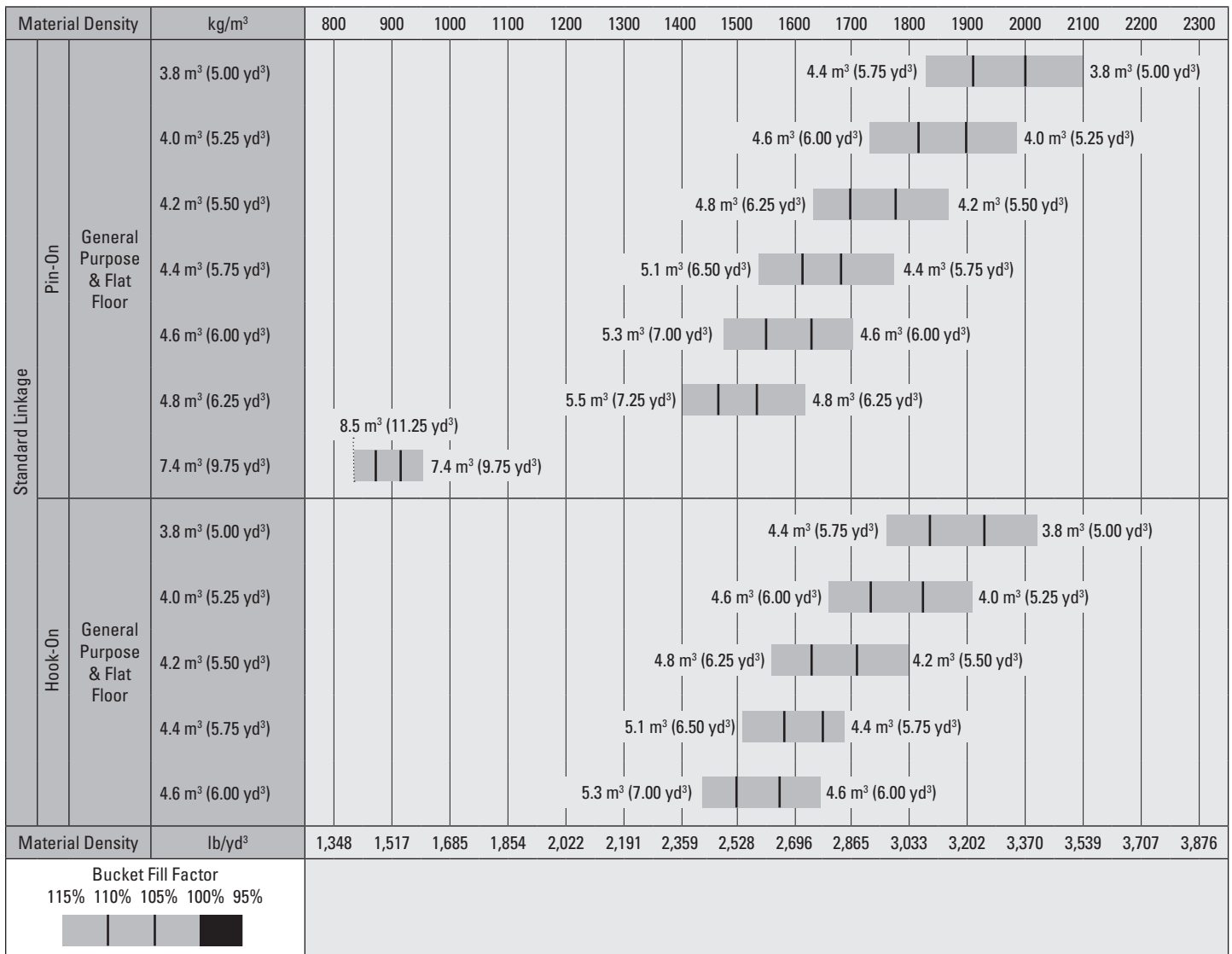
Bucket Fill Factors and Selection Guide

The bucket size must be chosen based on the density of the material and on the expected fill factor. The Cat Performance Series Buckets with longer floor, larger bucket opening, increased repository angle, rounded side boards and integrated spill guard demonstrate fill factors significantly higher than previous generation or non-Cat buckets. The actual volume handled by the machine is thus often larger than the rated capacity.

| Loose Material | | Fill Factor (%)* | Material Density |
|-----------------|-----------------------------|------------------|------------------|
| Earth/Clay | | 115 | 1.5-1.7 |
| Sand and Gravel | | 115 | 1.5-1.7 |
| Aggregate: | 25-76 mm (1 to 3 in) | 110 | 1.6-1.7 |
| | 19 mm (0.75 in) and smaller | 105 | 1.8 |
| Rock: | 76 mm (3 in) and larger | 100 | 1.6 |

*As a % of ISO 7546:1983 rated capacity.

Note: Fill Factors achieved will also depend on whether the product is washed or not washed.



Note: All buckets are showing Bolt-On Edges.

966 Wheel Loader Specifications

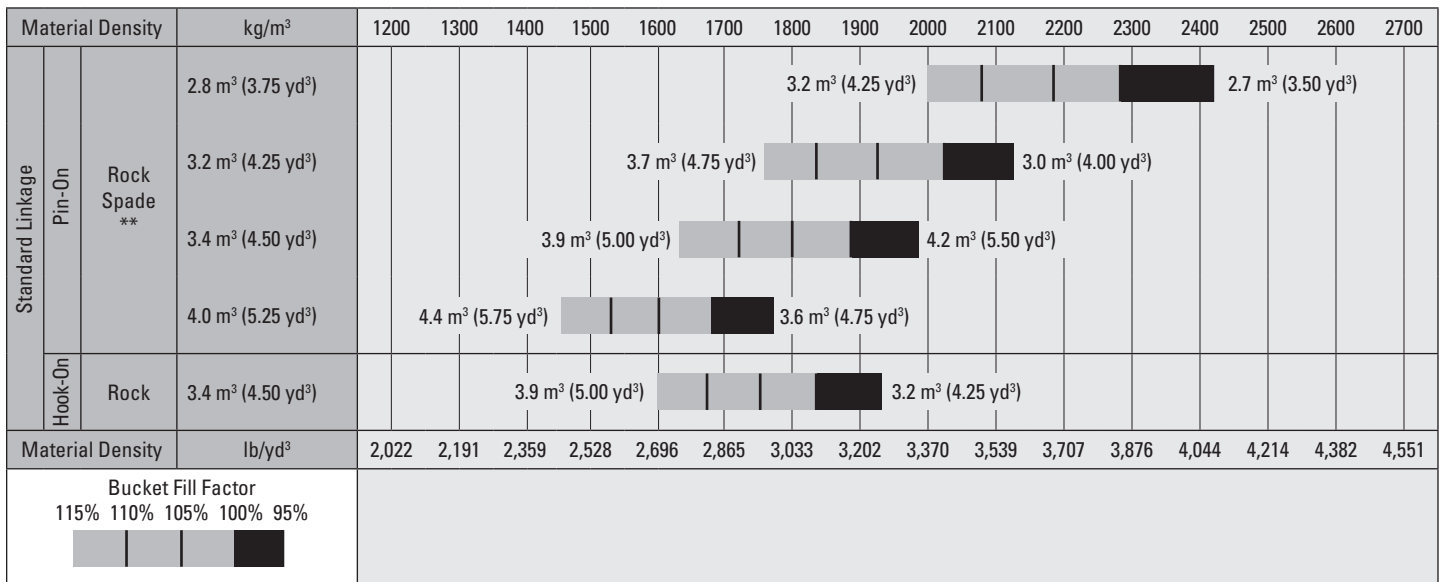
Bucket Fill Factors and Selection Guide

The bucket size must be chosen based on the density of the material and on the expected fill factor. The Cat Performance Series Buckets with longer floor, larger bucket opening, increased repository angle, rounded side boards and integrated spill guard demonstrate fill factors significantly higher than previous generation or non-Cat buckets. The actual volume handled by the machine is thus often larger than the rated capacity.

| Loose Material | | Fill Factor (%)* | Material Density |
|-----------------|-----------------------------|------------------|------------------|
| Earth/Clay | | 115 | 1.5-1.7 |
| Sand and Gravel | | 115 | 1.5-1.7 |
| Aggregate: | 25-76 mm (1 to 3 in) | 110 | 1.6-1.7 |
| | 19 mm (0.75 in) and smaller | 105 | 1.8 |
| Rock: | 76 mm (3 in) and larger | 100 | 1.6 |

*As a % of ISO 7546:1983 rated capacity.

Note: Fill Factors achieved will also depend on whether the product is washed or not washed.



Note: All buckets are showing Bolt-On Edges.

966 Wheel Loader Specifications

Bucket Fill Factors and Selection Guide

The bucket size must be chosen based on the density of the material and on the expected fill factor. The Cat Performance Series Buckets with longer floor, larger bucket opening, increased repository angle, rounded side boards and integrated spill guard demonstrate fill factors significantly higher than previous generation or non-Cat buckets. The actual volume handled by the machine is thus often larger than the rated capacity.

| Loose Material | | Fill Factor (%)* | Material Density |
|-----------------|-----------------------------|------------------|------------------|
| Earth/Clay | | 115 | 1.5-1.7 |
| Sand and Gravel | | 115 | 1.5-1.7 |
| Aggregate: | 25-76 mm (1 to 3 in) | 110 | 1.6-1.7 |
| | 19 mm (0.75 in) and smaller | 105 | 1.8 |
| Rock: | 76 mm (3 in) and larger | 100 | 1.6 |

*As a % of ISO 7546:1983 rated capacity.

Note: Fill Factors achieved will also depend on whether the product is washed or not washed.

| Material Density | | kg/m ³ | 300 | 400 | 500 | 600 | 700 | 800 | 900 | 1000 | 1100 | 1200 | 1300 | 1400 |
|-------------------------|--------------------|-------------------|--|--|-------|--|-------|--|---|-------|---|-------|-------|------|
| Standard Linkage | Pin-On | Coal | 7.1 m ³ (9.25 yd ³) | | | | | | 8.2 m ³ (10.75 yd ³) | | 7.1 m ³ (9.25 yd ³) | | | |
| | | Coal | 6.7 m ³ (8.75 yd ³) | | | | | | 7.7 m ³ (10.00 yd ³) | | 6.7 m ³ (8.75 yd ³) | | | |
| | Pin-On | High Dump | 7.6 m ³ (10.00 yd ³) | | | | | | 8.7 m ³ (11.50 yd ³) | | 7.6 m ³ (10.00 yd ³) | | | |
| | | | 9.2 m ³ (12.00 yd ³) | | | 10.6 m ³ (13.75 yd ³) | | 9.2 m ³ (12.00 yd ³) | | | | | | |
| | | | 11.1 m ³ (14.50 yd ³) | 12.8 m ³ (16.75 yd ³) | | 11.1 m ³ (14.50 yd ³) | | | | | | | | |
| | Hook-On | High Dump | 7.6 m ³ (10.00 yd ³) | | | | | | 8.7 m ³ (11.50 yd ³) | | 7.6 m ³ (10.00 yd ³) | | | |
| | | | 9.2 m ³ (12.00 yd ³) | | | 10.6 m ³ (13.75 yd ³) | | 9.2 m ³ (12.00 yd ³) | | | | | | |
| | | | 11.1 m ³ (14.50 yd ³) | 12.8 m ³ (16.75 yd ³) | | 11.1 m ³ (14.50 yd ³) | | | | | | | | |
| | Pin-On | Woodchip | 11.9 m ³ (15.50 yd ³) | | | 13.7 m ³ (18.00 yd ³) | | 11.9 m ³ (15.50 yd ³) | | | | | | |
| | | | 11.9 m ³ (15.50 yd ³) | 13.7 m ³ (18.00 yd ³) | | 11.9 m ³ (15.50 yd ³) | | | | | | | | |
| | Hook-On | Woodchip | 11.9 m ³ (15.50 yd ³) | | | 13.7 m ³ (18.00 yd ³) | | 11.9 m ³ (15.50 yd ³) | | | | | | |
| | | | 11.9 m ³ (15.50 yd ³) | 13.7 m ³ (18.00 yd ³) | | 11.9 m ³ (15.50 yd ³) | | | | | | | | |
| Material Density | lb/yd ³ | 506 | 674 | 843 | 1,011 | 1,180 | 1,348 | 1,517 | 1,685 | 1,854 | 2,022 | 2,191 | 2,359 | |
| Bucket Fill Factor | | | | | | | | | | | | | | |
| 115% 110% 105% 100% 95% | | | | | | | | | | | | | | |

Note: All buckets are showing Bolt-On Edges.

966 Wheel Loader Specifications

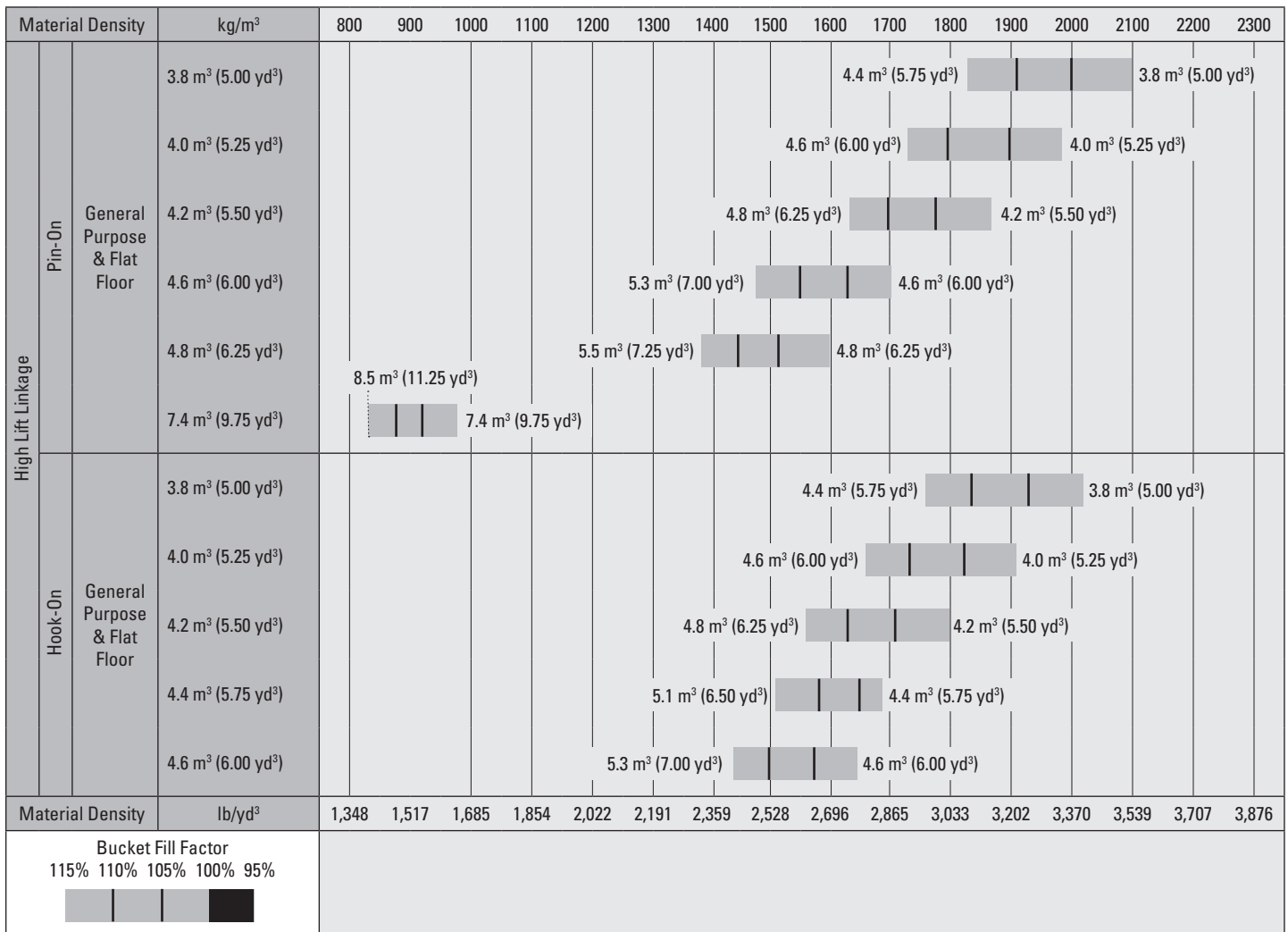
Bucket Fill Factors and Selection Guide

The bucket size must be chosen based on the density of the material and on the expected fill factor. The Cat Performance Series Buckets with longer floor, larger bucket opening, increased repository angle, rounded side boards and integrated spill guard demonstrate fill factors significantly higher than previous generation or non-Cat buckets. The actual volume handled by the machine is thus often larger than the rated capacity.

| Loose Material | | Fill Factor (%)* | Material Density |
|-----------------|-----------------------------|------------------|------------------|
| Earth/Clay | | 115 | 1.5-1.7 |
| Sand and Gravel | | 115 | 1.5-1.7 |
| Aggregate: | 25-76 mm (1 to 3 in) | 110 | 1.6-1.7 |
| | 19 mm (0.75 in) and smaller | 105 | 1.8 |
| Rock: | 76 mm (3 in) and larger | 100 | 1.6 |

*As a % of ISO 7546:1983 rated capacity.

Note: Fill Factors achieved will also depend on whether the product is washed or not washed.



Note: All buckets are showing Bolt-On Edges.

966 Wheel Loader Specifications


Bucket Fill Factors and Selection Guide

The bucket size must be chosen based on the density of the material and on the expected fill factor. The Cat Performance Series Buckets with longer floor, larger bucket opening, increased repository angle, rounded side boards and integrated spill guard demonstrate fill factors significantly higher than previous generation or non-Cat buckets. The actual volume handled by the machine is thus often larger than the rated capacity.

| Loose Material | | Fill Factor (%)* | Material Density |
|-----------------|-----------------------------|------------------|------------------|
| Earth/Clay | | 115 | 1.5-1.7 |
| Sand and Gravel | | 115 | 1.5-1.7 |
| Aggregate: | 25-76 mm (1 to 3 in) | 110 | 1.6-1.7 |
| | 19 mm (0.75 in) and smaller | 105 | 1.8 |
| Rock: | 76 mm (3 in) and larger | 100 | 1.6 |

*As a % of ISO 7546:1983 rated capacity.

Note: Fill Factors achieved will also depend on whether the product is washed or not washed.

| Material Density | | kg/m ³ | 300 | 400 | 500 | 600 | 700 | 800 | 900 | 1000 | 1100 | 1200 | 1300 | 1400 | | | | |
|---|---------|--------------------|--|-----|-----|-------|-------|-------|-------|---|---|--|--|-------|--|--|--|--|
| High Lift Linkage | Pin-On | Coal | 7.1 m ³ (9.25 yd ³) | | | | | | | 8.2 m ³ (10.75 yd ³) | | | | | | | | |
| | | Coal | 6.7 m ³ (8.75 yd ³) | | | | | | | | 7.7 m ³ (10.00 yd ³) | | | | | | | |
| | Pin-On | High Dump | 7.6 m ³ (10.00 yd ³) | | | | | | | | 8.7 m ³ (11.50 yd ³) | | | | | | | |
| | | | 9.2 m ³ (12.00 yd ³) | | | | | | | | | 10.6 m ³ (13.75 yd ³) | | | | | | |
| | | | 11.1 m ³ (14.50 yd ³) | | | | | | | | | | 12.8 m ³ (16.75 yd ³) | | | | | |
| | Hook-On | High Dump | 7.6 m ³ (10.00 yd ³) | | | | | | | | 8.7 m ³ (11.50 yd ³) | | | | | | | |
| | | | 9.2 m ³ (12.00 yd ³) | | | | | | | | | 10.6 m ³ (13.75 yd ³) | | | | | | |
| | | | 11.1 m ³ (14.50 yd ³) | | | | | | | | | | 12.8 m ³ (16.75 yd ³) | | | | | |
| | Pin-On | Woodchip | 11.9 m ³ (15.50 yd ³) | | | | | | | | | | | | | | | |
| | | | 11.9 m ³ (15.50 yd ³) | | | | | | | | | | | | | | | |
| | Hook-On | Woodchip | 11.9 m ³ (15.50 yd ³) | | | | | | | | | | | | | | | |
| | | | 11.9 m ³ (15.50 yd ³) | | | | | | | | | | | | | | | |
| Material Density | | lb/yd ³ | 506 | 674 | 843 | 1,011 | 1,180 | 1,348 | 1,517 | 1,685 | 1,854 | 2,022 | 2,191 | 2,359 | | | | |
| Bucket Fill Factor | | | | | | | | | | | | | | | | | | |
| 115% 110% 105% 100% 95% | | | | | | | | | | | | | | | | | | |
|  | | | | | | | | | | | | | | | | | | |

Note: All buckets are showing Bolt-On Edges.

966 Wheel Loader Specifications


Bucket Fill Factors and Selection Guide

The bucket size must be chosen based on the density of the material and on the expected fill factor. The Cat Performance Series Buckets with longer floor, larger bucket opening, increased repository angle, rounded side boards and integrated spill guard demonstrate fill factors significantly higher than previous generation or non-Cat buckets. The actual volume handled by the machine is thus often larger than the rated capacity.

| Loose Material | | Fill Factor (%)* | Material Density |
|-----------------|-----------------------------|------------------|------------------|
| Earth/Clay | | 115 | 1.5-1.7 |
| Sand and Gravel | | 115 | 1.5-1.7 |
| Aggregate: | 25-76 mm (1 to 3 in) | 110 | 1.6-1.7 |
| | 19 mm (0.75 in) and smaller | 105 | 1.8 |
| Rock: | 76 mm (3 in) and larger | 100 | 1.6 |

*As a % of ISO 7546:1983 rated capacity.

Note: Fill Factors achieved will also depend on whether the product is washed or not washed.

| Material Density | kg/m ³ | 900 | 1000 | 1100 | 1200 | 1300 | 1400 | 1500 | 1600 | 1700 | 1800 | 1900 | 2000 | 2100 | 2200 | 2300 | 2400 | |
|--|--------------------|---|-------|-------|-------|-------|-------|-------|-------|--|-------|--|-------|-------|-------|-------|-------|--|
| | | Aggregate Handler Linkage Pin-On General Purpose & Flat Floor 4.0 m ³ (5.25 yd ³) 4.2 m ³ (5.50 yd ³) 4.4 m ³ (5.75 yd ³) 4.6 m ³ (6.00 yd ³) 4.8 m ³ (6.25 yd ³) | | | | | | | | | | 4.6 m ³ (6.00 yd ³) | | | | | | |
| | | | | | | | | | | 4.8 m ³ (6.25 yd ³) | | | | | | | | 4.2 m ³ (5.50 yd ³) |
| | | | | | | | | | | 5.1 m ³ (6.50 yd ³) | | | | | | | | 4.4 m ³ (5.75 yd ³) |
| | | | | | | | | | | 5.3 m ³ (7.00 yd ³) | | | | | | | | 4.6 m ³ (6.00 yd ³) |
| | | | | | | | | | | 5.5 m ³ (7.25 yd ³) | | | | | | | | 4.8 m ³ (6.25 yd ³) |
| | | | | | | | | | | 4.6 m ³ (6.00 yd ³) | | | | | | | | 4.0 m ³ (5.25 yd ³) |
| | | | | | | | | | | 4.8 m ³ (6.25 yd ³) | | | | | | | | 4.2 m ³ (5.50 yd ³) |
| | | | | | | | | | | 5.1 m ³ (6.50 yd ³) | | | | | | | | 4.4 m ³ (5.75 yd ³) |
| | | | | | | | | | | 5.3 m ³ (7.00 yd ³) | | | | | | | | 4.6 m ³ (6.00 yd ³) |
| Material Density | lb/yd ³ | 1,517 | 1,685 | 1,854 | 2,022 | 2,191 | 2,359 | 2,528 | 2,696 | 2,865 | 3,033 | 3,202 | 3,370 | 3,539 | 3,707 | 3,876 | 4,044 | |
| Bucket Fill Factor 115% 110% 105% 100% 95%  | | | | | | | | | | | | | | | | | | |

Note: All buckets are showing Bolt-On Edges.

Operating Specifications – Buckets

| Linkage | | Standard Linkage | | | | | |
|--|-----------------|--------------------------|--------|--------------------|-----------------------|--------|--------------------|
| Bucket Type | | General Purpose – Pin-On | | | | | |
| Edge Type | | Bolt-On Cutting Edges | Tips | Teeth and Segments | Bolt-On Cutting Edges | Tips | Teeth and Segments |
| Capacity – Rated | m ³ | 3.80 | 3.60 | 3.80 | 4.00 | 3.80 | 4.00 |
| | yd ³ | 5.00 | 4.75 | 5.00 | 5.25 | 5.00 | 5.25 |
| Capacity – Rated at 110% Fill Factor | m ³ | 4.20 | 4.00 | 4.20 | 4.40 | 4.20 | 4.40 |
| | yd ³ | 5.50 | 5.25 | 5.50 | 5.75 | 5.50 | 5.75 |
| Width | mm | 3220 | 3271 | 3301 | 3220 | 3271 | 3301 |
| | ft/in | 10'6" | 10'8" | 10'9" | 10'6" | 10'8" | 10'9" |
| 16† Dump Clearance at Maximum Lift and 45° Discharge | mm | 3077 | 2925 | 2901 | 3068 | 2915 | 2892 |
| | ft/in | 10'1" | 9'7" | 9'6" | 10'0" | 9'6" | 9'5" |
| 17† Reach at Maximum Lift and 45° Discharge | mm | 1289 | 1429 | 1422 | 1296 | 1435 | 1427 |
| | ft/in | 4'2" | 4'8" | 4'7" | 4'3" | 4'8" | 4'8" |
| Reach at Level Lift Arm and Bucket Level | mm | 2701 | 2905 | 2916 | 2712 | 2917 | 2926 |
| | ft/in | 8'10" | 9'6" | 9'6" | 8'10" | 9'6" | 9'7" |
| A† Digging Depth | mm | 114 | 84 | 114 | 114 | 84 | 114 |
| | in | 4.5" | 3.3" | 4.5" | 4.5" | 3.3" | 4.5" |
| 12† Overall Length | mm | 8753 | 8978 | 9007 | 8765 | 8990 | 9017 |
| | ft/in | 28'9" | 29'6" | 29'7" | 28'10" | 29'6" | 29'7" |
| B† Overall Height with Bucket at Maximum Lift | mm | 5787 | 5787 | 5787 | 5898 | 5898 | 5898 |
| | ft/in | 19'0" | 19'0" | 19'0" | 19'5" | 19'5" | 19'5" |
| Loader Clearance Circle Radius with Bucket at Carry Position | mm | 7488 | 7572 | 7597 | 7491 | 7575 | 7600 |
| | ft/in | 24'7" | 24'11" | 25'0" | 24'7" | 24'11" | 25'0" |
| Static Tipping Load, Straight (With tire deflection) | kg | 17 116 | 17 132 | 16 821 | 17 098 | 17 151 | 16 861 |
| | lb | 37,724 | 37,761 | 37,074 | 37,685 | 37,801 | 37,163 |
| Static Tipping Load, Straight (No tire deflection) | kg | 18 240 | 18 243 | 17 927 | 18 232 | 18 285 | 17 992 |
| | lb | 40,202 | 40,209 | 39,513 | 40,185 | 40,301 | 39,654 |
| Static Tipping Load, Articulated (With tire deflection) | kg | 15 058 | 15 066 | 14 770 | 15 037 | 15 074 | 14 799 |
| | lb | 33,189 | 33,207 | 32,554 | 33,142 | 33,223 | 32,619 |
| Static Tipping Load, Articulated (No tire deflection) | kg | 16 189 | 16 183 | 15 884 | 16 177 | 16 214 | 15 936 |
| | lb | 35,681 | 35,669 | 35,008 | 35,656 | 35,735 | 35,124 |
| Breakout Force (§) | kN | 187 | 199 | 185 | 185 | 197 | 183 |
| | lbf | 42,167 | 44,924 | 41,580 | 41,712 | 44,412 | 41,134 |
| Operating Weight* | kg | 23 088 | 23 063 | 23 262 | 23 140 | 23 115 | 23 311 |
| | lb | 50,886 | 50,830 | 51,269 | 51,001 | 50,945 | 51,377 |

* Static tipping loads and operating weights shown are based on a machine configuration with Bridgestone 26.5R25 VJT L3 radial tires, full fluids, operator, standard counterweight, ride control, cold start, roading fenders, Product Link™, manual diff lock/open axles (front and rear), power train guard, secondary steering and sound suppression.

† Illustration shown with Dimension charts.

*** Rock bucket specifications are given on Bridgestone 26.5R25 VSDL L5 radial tires.

(§) Measured 100 mm (4") behind tip of cutting edge with bucket hinge pin as pivot point in accordance with ISO 14397-2:2007.

(With tire deflection) Full compliance to ISO 14397-1:2007 Sections 1 thru 6, which requires 2% verification between calculations and testing.

(No tire deflection) Compliance to ISO 14397-1:2007 Sections 1 thru 5.

Other buckets are available and offerings vary by region. Consult your local Cat dealer for further details.

966 Wheel Loader Specifications

Operating Specifications – Buckets (continued)

| Linkage | | Standard Linkage | | | | | |
|--|-----------------|--------------------------|--------|--------------------|-----------------------|--------------------|--------|
| Bucket Type | | General Purpose – Pin-On | | | | | |
| Edge Type | | Bolt-On Cutting Edges | Tips | Teeth and Segments | Bolt-On Cutting Edges | Teeth and Segments | Tips |
| Capacity – Rated | m ³ | 4.20 | 4.00 | 4.20 | 4.60 | 4.60 | 4.40 |
| | yd ³ | 5.50 | 5.25 | 5.50 | 6.00 | 6.00 | 5.75 |
| Capacity – Rated at 110% Fill Factor | m ³ | 4.60 | 4.40 | 4.60 | 5.10 | 5.10 | 4.80 |
| | yd ³ | 6.00 | 5.75 | 6.00 | 6.75 | 6.75 | 6.25 |
| Width | mm | 3220 | 3271 | 3301 | 3264 | 3301 | 3301 |
| | ft/in | 10'6" | 10'8" | 10'9" | 10'8" | 10'9" | 10'9" |
| 16† Dump Clearance at Maximum Lift and 45° Discharge | mm | 3001 | 2847 | 2832 | 2987 | 2829 | 2829 |
| | ft/in | 9'10" | 9'4" | 9'3" | 9'9" | 9'3" | 9'3" |
| 17† Reach at Maximum Lift and 45° Discharge | mm | 1350 | 1487 | 1487 | 1361 | 1497 | 1497 |
| | ft/in | 4'5" | 4'10" | 4'10" | 4'5" | 4'10" | 4'10" |
| Reach at Level Lift Arm and Bucket Level | mm | 2800 | 3005 | 3015 | 2818 | 3024 | 3024 |
| | ft/in | 9'2" | 9'10" | 9'10" | 9'2" | 9'11" | 9'11" |
| A† Digging Depth | mm | 114 | 84 | 114 | 114 | 114 | 84 |
| | in | 4.5" | 3.3" | 4.5" | 4.5" | 4.5" | 3.3" |
| 12† Overall Length | mm | 8852 | 9077 | 9096 | 8870 | 9101 | 9101 |
| | ft/in | 29'1" | 29'10" | 29'11" | 29'2" | 29'11" | 29'11" |
| B† Overall Height with Bucket at Maximum Lift | mm | 5898 | 5898 | 5898 | 6021 | 6021 | 6021 |
| | ft/in | 19'5" | 19'5" | 19'5" | 19'10" | 19'10" | 19'10" |
| Loader Clearance Circle Radius with Bucket at Carry Position | mm | 7512 | 7598 | 7618 | 7537 | 7618 | 7618 |
| | ft/in | 24'8" | 25'0" | 25'0" | 24'9" | 25'0" | 25'0" |
| Static Tipping Load, Straight (With tire deflection) | kg | 16 896 | 16 955 | 16 691 | 16 885 | 16 578 | 16 928 |
| | lb | 37,239 | 37,369 | 36,787 | 37,214 | 36,538 | 37,311 |
| Static Tipping Load, Straight (No tire deflection) | kg | 18 022 | 18 081 | 17 814 | 18 037 | 17 724 | 18 088 |
| | lb | 39,720 | 39,852 | 39,262 | 39,754 | 39,065 | 39,867 |
| Static Tipping Load, Articulated (With tire deflection) | kg | 14 849 | 14 892 | 14 643 | 14 827 | 14 520 | 14 855 |
| | lb | 32,727 | 32,822 | 32,275 | 32,679 | 32,003 | 32,741 |
| Static Tipping Load, Articulated (No tire deflection) | kg | 15 981 | 16 024 | 15 773 | 15 985 | 15 673 | 16 020 |
| | lb | 35,224 | 35,317 | 34,764 | 35,232 | 34,544 | 35,310 |
| Breakout Force (§) | kN | 173 | 184 | 171 | 170 | 167 | 179 |
| | lbf | 38,999 | 41,363 | 38,523 | 38,302 | 37,614 | 40,230 |
| Operating Weight* | kg | 23 196 | 23 171 | 23 341 | 23 279 | 23 451 | 23 290 |
| | lb | 51,124 | 51,068 | 51,443 | 51,307 | 51,686 | 51,331 |

*Static tipping loads and operating weights shown are based on a machine configuration with Bridgestone 26.5R25 VJT L3 radial tires, full fluids, operator, standard counterweight, ride control, cold start, roading fenders, Product Link™, manual diff lock/open axles (front and rear), power train guard, secondary steering and sound suppression.

† Illustration shown with Dimension charts.

***Rock bucket specifications are given on Bridgestone 26.5R25 VSDL L5 radial tires.

(§) Measured 100 mm (4") behind tip of cutting edge with bucket hinge pin as pivot point in accordance with ISO 14397-2:2007.

(With tire deflection) Full compliance to ISO 14397-1:2007 Sections 1 thru 6, which requires 2% verification between calculations and testing.

(No tire deflection) Compliance to ISO 14397-1:2007 Sections 1 thru 5.

Other buckets are available and offerings vary by region. Consult your local Cat dealer for further details.

966 Wheel Loader Specifications

Operating Specifications – Buckets *(continued)*

| Linkage | | Standard Linkage | | | | | |
|--|-----------------|-------------------------------------|--------------------|--------|-----------------------|--------------------|--------|
| Bucket Type | | General Purpose – Hook-On – Fusion™ | | | | | |
| Edge Type | | Bolt-On Cutting Edges | Teeth and Segments | Tips | Bolt-On Cutting Edges | Teeth and Segments | Tips |
| Capacity – Rated | m ³ | 3.80 | 3.80 | 3.60 | 4.00 | 4.00 | 3.80 |
| | yd ³ | 5.00 | 5.00 | 4.75 | 5.25 | 5.25 | 5.00 |
| Capacity – Rated at 110% Fill Factor | m ³ | 4.20 | 4.20 | 4.00 | 4.40 | 4.40 | 4.20 |
| | yd ³ | 5.50 | 5.50 | 5.25 | 5.75 | 5.75 | 5.50 |
| Width | mm | 3220 | 3271 | 3271 | 3201 | 3201 | 3201 |
| | ft/in | 10'6" | 10'8" | 10'8" | 10'6" | 10'6" | 10'6" |
| 16† Dump Clearance at Maximum Lift and 45° Discharge | mm | 3048 | 2896 | 2896 | 3035 | 2880 | 2880 |
| | ft/in | 10'0" | 9'6" | 9'6" | 9'11" | 9'5" | 9'5" |
| 17† Reach at Maximum Lift and 45° Discharge | mm | 1324 | 1463 | 1463 | 1327 | 1468 | 1468 |
| | ft/in | 4'4" | 4'9" | 4'9" | 4'4" | 4'9" | 4'9" |
| Reach at Level Lift Arm and Bucket Level | mm | 2745 | 2950 | 2950 | 2757 | 2965 | 2965 |
| | ft/in | 9'0" | 9'8" | 9'8" | 9'0" | 9'8" | 9'8" |
| A† Digging Depth | mm | 114 | 114 | 84 | 84 | 84 | 84 |
| | in | 4.5" | 4.5" | 3.3" | 3.3" | 3.3" | 3.3" |
| 12† Overall Length | mm | 8798 | 9023 | 9023 | 8813 | 9042 | 9042 |
| | ft/in | 28'11" | 29'8" | 29'8" | 28'11" | 29'8" | 29'8" |
| B† Overall Height with Bucket at Maximum Lift | mm | 5813 | 5813 | 5813 | 5929 | 5929 | 5929 |
| | ft/in | 19'1" | 19'1" | 19'1" | 19'6" | 19'6" | 19'6" |
| Loader Clearance Circle Radius with Bucket at Carry Position | mm | 7512 | 7601 | 7601 | 7508 | 7575 | 7575 |
| | ft/in | 24'8" | 25'0" | 25'0" | 24'8" | 24'11" | 24'11" |
| Static Tipping Load, Straight (With tire deflection) | kg | 16 536 | 16 354 | 16 701 | 16 488 | 16 272 | 16 634 |
| | lb | 36,446 | 36,045 | 36,809 | 36,339 | 35,865 | 36,663 |
| Static Tipping Load, Straight (No tire deflection) | kg | 17 637 | 17 453 | 17 813 | 17 601 | 17 383 | 17 761 |
| | lb | 38,872 | 38,466 | 39,260 | 38,793 | 38,313 | 39,146 |
| Static Tipping Load, Articulated (With tire deflection) | kg | 14 505 | 14 322 | 14 653 | 14 456 | 14 241 | 14 585 |
| | lb | 31,969 | 31,567 | 32,297 | 31,862 | 31,388 | 32,147 |
| Static Tipping Load, Articulated (No tire deflection) | kg | 15 613 | 15 429 | 15 772 | 15 576 | 15 359 | 15 719 |
| | lb | 34,411 | 34,005 | 34,763 | 34,331 | 33,851 | 34,645 |
| Breakout Force (§) | kN | 180 | 179 | 192 | 190 | 188 | 189 |
| | lbf | 40,648 | 40,284 | 43,214 | 42,726 | 42,275 | 42,640 |
| Operating Weight* | kg | 23 503 | 23 641 | 23 478 | 23 551 | 23 713 | 23 547 |
| | lb | 51,801 | 52,105 | 51,745 | 51,906 | 52,263 | 51,897 |

*Static tipping loads and operating weights shown are based on a machine configuration with Bridgestone 26.5R25 VJT L3 radial tires, full fluids, operator, standard counterweight, ride control, cold start, roading fenders, Product Link™, manual diff lock/open axles (front and rear), power train guard, secondary steering and sound suppression.

† Illustration shown with Dimension charts.

***Rock bucket specifications are given on Bridgestone 26.5R25 VSDL L5 radial tires.

(§) Measured 100 mm (4") behind tip of cutting edge with bucket hinge pin as pivot point in accordance with ISO 14397-2:2007.

(With tire deflection) Full compliance to ISO 14397-1:2007 Sections 1 thru 6, which requires 2% verification between calculations and testing.

(No tire deflection) Compliance to ISO 14397-1:2007 Sections 1 thru 5.

Other buckets are available and offerings vary by region. Consult your local Cat dealer for further details.

966 Wheel Loader Specifications

Operating Specifications – Buckets *(continued)*

| Linkage | | Standard Linkage | | | | | |
|--|-----------------|------------------------------------|--------------------|--------|-----------------------|--------------------|--------|
| Bucket Type | | General Purpose – Hook-On – Fusion | | | | | |
| Edge Type | | Bolt-On Cutting Edges | Teeth and Segments | Tips | Bolt-On Cutting Edges | Teeth and Segments | Tips |
| Capacity – Rated | m ³ | 4.20 | 4.20 | 4.00 | 4.60 | 4.60 | 4.40 |
| | yd ³ | 5.50 | 5.50 | 5.25 | 6.00 | 6.00 | 5.75 |
| Capacity – Rated at 110% Fill Factor | m ³ | 4.60 | 4.60 | 4.40 | 5.10 | 5.10 | 4.80 |
| | yd ³ | 6.00 | 6.00 | 5.75 | 6.75 | 6.75 | 6.25 |
| Width | mm | 3220 | 3271 | 3271 | 3220 | 3271 | 3271 |
| | ft/in | 10'6" | 10'8" | 10'8" | 10'6" | 10'8" | 10'8" |
| 16 † Dump Clearance at Maximum Lift and 45° Discharge | mm | 2970 | 2816 | 2816 | 2957 | 2803 | 2803 |
| | ft/in | 9'8" | 9'2" | 9'2" | 9'8" | 9'2" | 9'2" |
| 17 † Reach at Maximum Lift and 45° Discharge | mm | 1395 | 1533 | 1533 | 1398 | 1535 | 1535 |
| | ft/in | 4'6" | 5'0" | 5'0" | 4'7" | 5'0" | 5'0" |
| Reach at Level Lift Arm and Bucket Level | mm | 2855 | 3059 | 3059 | 2865 | 3070 | 3070 |
| | ft/in | 9'4" | 10'0" | 10'0" | 9'4" | 10'0" | 10'0" |
| A † Digging Depth | mm | 106 | 106 | 76 | 113 | 113 | 83 |
| | in | 4.2" | 4.2" | 3.0" | 4.4" | 4.4" | 3.2" |
| 12 † Overall Length | mm | 8900 | 9126 | 9126 | 8916 | 9142 | 9142 |
| | ft/in | 29'3" | 30'0" | 30'0" | 29'4" | 30'0" | 30'0" |
| B † Overall Height with Bucket at Maximum Lift | mm | 5970 | 5970 | 5970 | 6048 | 6048 | 6048 |
| | ft/in | 19'8" | 19'8" | 19'8" | 19'11" | 19'11" | 19'11" |
| Loader Clearance Circle Radius with Bucket at Carry Position | mm | 7539 | 7629 | 7629 | 7544 | 7634 | 7634 |
| | ft/in | 24'9" | 25'1" | 25'1" | 24'9" | 25'1" | 25'1" |
| Static Tipping Load, Straight (With tire deflection) | kg | 16 266 | 16 083 | 16 423 | 16 391 | 16 205 | 16 541 |
| | lb | 35,851 | 35,448 | 36,197 | 36,126 | 35,716 | 36,456 |
| Static Tipping Load, Straight (No tire deflection) | kg | 17 366 | 17 180 | 17 533 | 17 532 | 17 344 | 17 695 |
| | lb | 38,274 | 37,866 | 38,644 | 38,642 | 38,226 | 39,000 |
| Static Tipping Load, Articulated (With tire deflection) | kg | 14 255 | 14 072 | 14 397 | 14 351 | 14 165 | 14 486 |
| | lb | 31,419 | 31,015 | 31,731 | 31,630 | 31,219 | 31,929 |
| Static Tipping Load, Articulated (No tire deflection) | kg | 15 362 | 15 177 | 15 514 | 15 499 | 15 310 | 15 647 |
| | lb | 33,859 | 33,451 | 34,194 | 34,160 | 33,744 | 34,486 |
| Breakout Force (§) | kN | 166 | 164 | 176 | 164 | 163 | 174 |
| | lbf | 37,396 | 37,040 | 39,580 | 37,021 | 36,663 | 39,164 |
| Operating Weight* | kg | 23 567 | 23 705 | 23 541 | 23 681 | 23 819 | 23 656 |
| | lb | 51,940 | 52,244 | 51,884 | 52,192 | 52,496 | 52,136 |

*Static tipping loads and operating weights shown are based on a machine configuration with Bridgestone 26.5R25 VJT L3 radial tires, full fluids, operator, standard counterweight, ride control, cold start, roading fenders, Product Link™, manual diff lock/open axles (front and rear), power train guard, secondary steering and sound suppression.

† Illustration shown with Dimension charts.

***Rock bucket specifications are given on Bridgestone 26.5R25 VSDL L5 radial tires.

(§) Measured 100 mm (4") behind tip of cutting edge with bucket hinge pin as pivot point in accordance with ISO 14397-2:2007.

(With tire deflection) Full compliance to ISO 14397-1:2007 Sections 1 thru 6, which requires 2% verification between calculations and testing.

(No tire deflection) Compliance to ISO 14397-1:2007 Sections 1 thru 5.

Other buckets are available and offerings vary by region. Consult your local Cat dealer for further details.

Operating Specifications – Buckets *(continued)*

| Linkage | | Standard Linkage | |
|--|-----------------|---------------------------------|-----------------------|
| Bucket Type | | General Purpose – Hook-On – VCE | |
| Edge Type | | Bolt-On Cutting Edges | Bolt-On Cutting Edges |
| Capacity – Rated | m ³ | 4.00 | 4.40 |
| | yd ³ | 5.25 | 5.75 |
| Capacity – Rated at 110% Fill Factor | m ³ | 4.40 | 4.80 |
| | yd ³ | 5.75 | 6.25 |
| Width | mm | 3220 | 3220 |
| | ft/in | 10'6" | 10'6" |
| 16 † Dump Clearance at Maximum Lift and 45° Discharge | mm | 2915 | 2851 |
| | ft/in | 9'6" | 9'4" |
| 17 † Reach at Maximum Lift and 45° Discharge | mm | 1484 | 1530 |
| | ft/in | 4'10" | 5'0" |
| Reach at Level Lift Arm and Bucket Level | mm | 2954 | 3034 |
| | ft/in | 9'8" | 9'11" |
| A † Digging Depth | mm | 108 | 108 |
| | in | 4.2" | 4.2" |
| 12 † Overall Length | mm | 9002 | 9082 |
| | ft/in | 29'7" | 29'10" |
| B † Overall Height with Bucket at Maximum Lift | mm | 5988 | 6106 |
| | ft/in | 19'8" | 20'1" |
| Loader Clearance Circle Radius with Bucket at Carry Position | mm | 7551 | 7574 |
| | ft/in | 24'10" | 24'11" |
| Static Tipping Load, Straight (With tire deflection) | kg | 15 424 | 15 286 |
| | lb | 33,995 | 33,692 |
| Static Tipping Load, Straight (No tire deflection) | kg | 16 479 | 16 356 |
| | lb | 36,321 | 36,050 |
| Static Tipping Load, Articulated (With tire deflection) | kg | 13 485 | 13 348 |
| | lb | 29,721 | 29,420 |
| Static Tipping Load, Articulated (No tire deflection) | kg | 14 550 | 14 428 |
| | lb | 32,069 | 31,800 |
| Breakout Force (§) | kN | 153 | 145 |
| | lbf | 34,572 | 32,680 |
| Operating Weight* | kg | 23 771 | 23 877 |
| | lb | 52,391 | 52,625 |

*Static tipping loads and operating weights shown are based on a machine configuration with Bridgestone 26.5R25 VJT L3 radial tires, full fluids, operator, standard counterweight, ride control, cold start, roading fenders, Product Link™, manual diff lock/open axles (front and rear), power train guard, secondary steering and sound suppression.

† Illustration shown with Dimension charts.

***Rock bucket specifications are given on Bridgestone 26.5R25 VSDL L5 radial tires.

(§) Measured 100 mm (4") behind tip of cutting edge with bucket hinge pin as pivot point in accordance with ISO 14397-2:2007.

(With tire deflection) Full compliance to ISO 14397-1:2007 Sections 1 thru 6, which requires 2% verification between calculations and testing.

(No tire deflection) Compliance to ISO 14397-1:2007 Sections 1 thru 5.

Other buckets are available and offerings vary by region. Consult your local Cat dealer for further details.

966 Wheel Loader Specifications

Operating Specifications – Buckets (continued)

| Linkage | | Standard Linkage | | | | | |
|--|-----------------|---|--------------------|--------|-----------------------|--------------------|--------|
| Bucket Type | | Material Handling – Pin-On – Flat Floor | | | | | |
| Edge Type | | Bolt-On Cutting Edges | Teeth and Segments | Tips | Bolt-On Cutting Edges | Teeth and Segments | Tips |
| Capacity – Rated | m ³ | 4.20 | 4.20 | 4.00 | 4.60 | 4.60 | 4.40 |
| | yd ³ | 5.50 | 5.50 | 5.25 | 6.00 | 6.00 | 5.75 |
| Capacity – Rated at 110% Fill Factor | m ³ | 4.60 | 4.60 | 4.40 | 5.10 | 5.10 | 4.90 |
| | yd ³ | 6.00 | 6.00 | 5.75 | 6.75 | 6.75 | 6.50 |
| Width | mm | 3220 | 3271 | 3271 | 3220 | 3271 | 3271 |
| | ft/in | 10'6" | 10'8" | 10'8" | 10'6" | 10'8" | 10'8" |
| 16† Dump Clearance at Maximum Lift and 45° Discharge | mm | 2959 | 2797 | 2797 | 2903 | 2740 | 2740 |
| | ft/in | 9'8" | 9'2" | 9'2" | 9'6" | 8'11" | 8'11" |
| 17† Reach at Maximum Lift and 45° Discharge | mm | 1242 | 1369 | 1369 | 1299 | 1426 | 1426 |
| | ft/in | 4'0" | 4'5" | 4'5" | 4'3" | 4'8" | 4'8" |
| Reach at Level Lift Arm and Bucket Level | mm | 2771 | 2975 | 2975 | 2851 | 3055 | 3055 |
| | ft/in | 9'1" | 9'9" | 9'9" | 9'4" | 10'0" | 10'0" |
| A† Digging Depth | mm | 114 | 114 | 84 | 114 | 114 | 84 |
| | in | 4.5" | 4.5" | 3.3" | 4.5" | 4.5" | 3.3" |
| 12† Overall Length | mm | 8823 | 9048 | 9048 | 8903 | 9128 | 9128 |
| | ft/in | 29'0" | 29'9" | 29'9" | 29'3" | 30'0" | 30'0" |
| B† Overall Height with Bucket at Maximum Lift | mm | 5911 | 5911 | 5911 | 5992 | 5992 | 5992 |
| | ft/in | 19'5" | 19'5" | 19'5" | 19'8" | 19'8" | 19'8" |
| Loader Clearance Circle Radius with Bucket at Carry Position | mm | 7504 | 7589 | 7589 | 7524 | 7610 | 7610 |
| | ft/in | 24'8" | 24'11" | 24'11" | 24'9" | 25'0" | 25'0" |
| Static Tipping Load, Straight (With tire deflection) | kg | 16 818 | 16 635 | 16 968 | 16 676 | 16 491 | 16 823 |
| | lb | 37,067 | 36,664 | 37,399 | 36,754 | 36,347 | 37,077 |
| Static Tipping Load, Straight (No tire deflection) | kg | 17 924 | 17 739 | 18 084 | 17 793 | 17 606 | 17 950 |
| | lb | 39,504 | 39,096 | 39,858 | 39,217 | 38,805 | 39,562 |
| Static Tipping Load, Articulated (With tire deflection) | kg | 14 785 | 14 601 | 14 919 | 14 646 | 14 461 | 14 777 |
| | lb | 32,586 | 32,182 | 32,883 | 32,280 | 31,873 | 32,570 |
| Static Tipping Load, Articulated (No tire deflection) | kg | 15 898 | 15 713 | 16 042 | 15 771 | 15 584 | 15 912 |
| | lb | 35,039 | 34,631 | 35,357 | 34,760 | 34,347 | 35,070 |
| Breakout Force (§) | kN | 177 | 175 | 188 | 166 | 165 | 176 |
| | lbf | 39,850 | 39,488 | 42,318 | 37,495 | 37,136 | 39,687 |
| Operating Weight* | kg | 23 193 | 23 331 | 23 168 | 23 282 | 23 419 | 23 256 |
| | lb | 51,118 | 51,422 | 51,062 | 51,312 | 51,616 | 51,256 |

*Static tipping loads and operating weights shown are based on a machine configuration with Bridgestone 26.5R25 VJT L3 radial tires, full fluids, operator, standard counterweight, ride control, cold start, roading fenders, Product Link™, manual diff lock/open axles (front and rear), power train guard, secondary steering and sound suppression.

† Illustration shown with Dimension charts.

***Rock bucket specifications are given on Bridgestone 26.5R25 VSDL L5 radial tires.

(§) Measured 100 mm (4") behind tip of cutting edge with bucket hinge pin as pivot point in accordance with ISO 14397-2:2007.

(With tire deflection) Full compliance to ISO 14397-1:2007 Sections 1 thru 6, which requires 2% verification between calculations and testing.

(No tire deflection) Compliance to ISO 14397-1:2007 Sections 1 thru 5.

Other buckets are available and offerings vary by region. Consult your local Cat dealer for further details.

966 Wheel Loader Specifications

Operating Specifications – Buckets (continued)

| Linkage | | Standard Linkage | | | | | |
|--|-----------------|---|--------------------|--------|--|--------------------|--------|
| Bucket Type | | Material Handling – Pin-On – Flat Floor | | | Material Handling – Pin-On – Flat Floor – Abrasion | | |
| | | Bolt-On Cutting Edges | Teeth and Segments | Tips | Bolt-On Cutting Edges | Teeth and Segments | Tips |
| Capacity – Rated | m ³ | 4.80 | 4.80 | 4.60 | 4.40 | 4.40 | 4.20 |
| | yd ³ | 6.25 | 6.25 | 6.00 | 5.75 | 5.75 | 5.50 |
| Capacity – Rated at 110% Fill Factor | m ³ | 5.30 | 5.30 | 5.10 | 4.80 | 4.90 | 4.70 |
| | yd ³ | 7.00 | 7.00 | 6.75 | 6.25 | 6.50 | 6.25 |
| Width | mm | 3220 | 3271 | 3271 | 3220 | 3301 | 3301 |
| | ft/in | 10'6" | 10'8" | 10'8" | 10'6" | 10'9" | 10'9" |
| 16 † Dump Clearance at Maximum Lift and 45° Discharge | mm | 2875 | 2712 | 2712 | 2932 | 2770 | 2770 |
| | ft/in | 9'5" | 8'10" | 8'10" | 9'7" | 9'1" | 9'1" |
| 17 † Reach at Maximum Lift and 45° Discharge | mm | 1327 | 1454 | 1454 | 1269 | 1401 | 1401 |
| | ft/in | 4'4" | 4'9" | 4'9" | 4'1" | 4'7" | 4'7" |
| Reach at Level Lift Arm and Bucket Level | mm | 2891 | 3095 | 3095 | 2809 | 3017 | 3017 |
| | ft/in | 9'5" | 10'1" | 10'1" | 9'2" | 9'10" | 9'10" |
| A † Digging Depth | mm | 114 | 114 | 84 | 114 | 114 | 84 |
| | in | 4.5" | 4.5" | 3.3" | 4.5" | 4.5" | 3.3" |
| 12 † Overall Length | mm | 8943 | 9168 | 9168 | 8861 | 9087 | 9087 |
| | ft/in | 29'5" | 30'1" | 30'1" | 29'1" | 29'10" | 29'10" |
| B † Overall Height with Bucket at Maximum Lift | mm | 6033 | 6033 | 6033 | 5943 | 5943 | 5943 |
| | ft/in | 19'10" | 19'10" | 19'10" | 19'6" | 19'6" | 19'6" |
| Loader Clearance Circle Radius with Bucket at Carry Position | mm | 7534 | 7620 | 7620 | 7513 | 7612 | 7612 |
| | ft/in | 24'9" | 25'0" | 25'0" | 24'8" | 25'0" | 25'0" |
| Static Tipping Load, Straight (With tire deflection) | kg | 16 603 | 16 417 | 16 748 | 16 620 | 16 407 | 16 743 |
| | lb | 36,594 | 36,184 | 36,913 | 36,631 | 36,162 | 36,902 |
| Static Tipping Load, Straight (No tire deflection) | kg | 17 726 | 17 538 | 17 881 | 17 732 | 17 517 | 17 865 |
| | lb | 39,070 | 38,655 | 39,411 | 39,082 | 38,607 | 39,374 |
| Static Tipping Load, Articulated (With tire deflection) | kg | 14 575 | 14 389 | 14 705 | 14 587 | 14 374 | 14 695 |
| | lb | 32,124 | 31,714 | 32,410 | 32,150 | 31,680 | 32,389 |
| Static Tipping Load, Articulated (No tire deflection) | kg | 15 706 | 15 518 | 15 845 | 15 707 | 15 491 | 15 824 |
| | lb | 34,616 | 34,201 | 34,923 | 34,618 | 34,143 | 34,877 |
| Breakout Force (§) | kN | 162 | 160 | 171 | 171 | 169 | 181 |
| | lbf | 36,405 | 36,047 | 38,475 | 38,560 | 38,151 | 40,779 |
| Operating Weight* | kg | 23 328 | 23 466 | 23 302 | 23 375 | 23 533 | 23 372 |
| | lb | 51,413 | 51,717 | 51,358 | 51,518 | 51,867 | 51,510 |

*Static tipping loads and operating weights shown are based on a machine configuration with Bridgestone 26.5R25 VJT L3 radial tires, full fluids, operator, standard counterweight, ride control, cold start, roading fenders, Product Link™, manual diff lock/open axles (front and rear), power train guard, secondary steering and sound suppression.

† Illustration shown with Dimension charts.

***Rock bucket specifications are given on Bridgestone 26.5R25 VSDL L5 radial tires.

(§) Measured 100 mm (4") behind tip of cutting edge with bucket hinge pin as pivot point in accordance with ISO 14397-2:2007.

(With tire deflection) Full compliance to ISO 14397-1:2007 Sections 1 thru 6, which requires 2% verification between calculations and testing.

(No tire deflection) Compliance to ISO 14397-1:2007 Sections 1 thru 5.

Other buckets are available and offerings vary by region. Consult your local Cat dealer for further details.

966 Wheel Loader Specifications

Operating Specifications – Buckets (continued)

| Linkage | | Standard Linkage | | | | | | |
|--|-----------------|--|-----------------------|-----------------------|-----------------------|-----------------------|-----------------------|---|
| Bucket Type | Edge Type | Material Handling – Pin-On – Flat Floor – Abrasion | | | | | | Material Handling – Pin-On – Flat Floor |
| | | Bolt-On Cutting Edges | Bolt-On Cutting Edges | Bolt-On Cutting Edges | Bolt-On Cutting Edges | Bolt-On Cutting Edges | Bolt-On Cutting Edges | |
| Capacity – Rated | m ³ | 4.20 | 4.40 | 4.60 | 4.60 | 4.80 | 4.60 | |
| | yd ³ | 5.50 | 5.75 | 6.00 | 6.00 | 6.25 | 6.00 | |
| Capacity – Rated at 110% Fill Factor | m ³ | 4.60 | 4.80 | 5.10 | 5.10 | 5.30 | 5.10 | |
| | yd ³ | 6.00 | 6.25 | 6.75 | 6.75 | 7.00 | 6.75 | |
| Width | mm | 2995 | 2995 | 2995 | 3220 | 3230 | 2995 | |
| | ft/in | 9'9" | 9'9" | 9'9" | 10'6" | 10'7" | 9'9" | |
| 16† Dump Clearance at Maximum Lift and 45° Discharge | mm | 2904 | 2877 | 2855 | 2903 | 2875 | 2855 | |
| | ft/in | 9'6" | 9'5" | 9'4" | 9'6" | 9'5" | 9'4" | |
| 17† Reach at Maximum Lift and 45° Discharge | mm | 1298 | 1325 | 1347 | 1299 | 1320 | 1347 | |
| | ft/in | 4'3" | 4'4" | 4'5" | 4'3" | 4'3" | 4'5" | |
| Reach at Level Lift Arm and Bucket Level | mm | 2849 | 2888 | 2919 | 2851 | 2886 | 2919 | |
| | ft/in | 9'4" | 9'5" | 9'6" | 9'4" | 9'5" | 9'6" | |
| A† Digging Depth | mm | 114 | 114 | 114 | 114 | 119 | 114 | |
| | in | 4.5" | 4.5" | 4.5" | 4.5" | 4.7" | 4.5" | |
| 12† Overall Length | mm | 8901 | 8940 | 8971 | 8903 | 8942 | 8971 | |
| | ft/in | 29'3" | 29'4" | 29'6" | 29'3" | 29'5" | 29'6" | |
| B† Overall Height with Bucket at Maximum Lift | mm | 5984 | 6024 | 6056 | 5984 | 6033 | 6057 | |
| | ft/in | 19'8" | 19'10" | 19'11" | 19'8" | 19'10" | 19'11" | |
| Loader Clearance Circle Radius with Bucket at Carry Position | mm | 7420 | 7430 | 7438 | 7524 | 7539 | 7438 | |
| | ft/in | 24'5" | 24'5" | 24'5" | 24'9" | 24'9" | 24'5" | |
| Static Tipping Load, Straight (With tire deflection) | kg | 16 690 | 16 460 | 16 404 | 16 569 | 16 465 | 16 572 | |
| | lb | 36,786 | 36,278 | 36,155 | 36,519 | 36,290 | 36,524 | |
| Static Tipping Load, Straight (No tire deflection) | kg | 17 792 | 17 566 | 17 520 | 17 673 | 17 587 | 17 689 | |
| | lb | 39,215 | 38,716 | 38,615 | 38,952 | 38,761 | 38,987 | |
| Static Tipping Load, Articulated (With tire deflection) | kg | 14 672 | 14 443 | 14 386 | 14 550 | 14 437 | 14 554 | |
| | lb | 32,337 | 31,834 | 31,708 | 32,070 | 31,821 | 32,078 | |
| Static Tipping Load, Articulated (No tire deflection) | kg | 15 782 | 15 557 | 15 510 | 15 662 | 15 566 | 15 679 | |
| | lb | 34,783 | 34,289 | 34,185 | 34,520 | 34,308 | 34,557 | |
| Breakout Force (§) | kN | 167 | 162 | 158 | 166 | 161 | 159 | |
| | lbf | 37,650 | 36,432 | 35,594 | 37,473 | 36,323 | 35,756 | |
| Operating Weight* | kg | 23 179 | 23 378 | 23 432 | 23 299 | 23 437 | 23 269 | |
| | lb | 51,086 | 51,525 | 51,644 | 51,351 | 51,655 | 51,285 | |

*Static tipping loads and operating weights shown are based on a machine configuration with Bridgestone 26.5R25 VJT L3 radial tires, full fluids, operator, standard counterweight, ride control, cold start, roading fenders, Product Link™, manual diff lock/open axles (front and rear), power train guard, secondary steering and sound suppression.

† Illustration shown with Dimension charts.

***Rock bucket specifications are given on Bridgestone 26.5R25 VSDL L5 radial tires.

(§) Measured 100 mm (4") behind tip of cutting edge with bucket hinge pin as pivot point in accordance with ISO 14397-2:2007.

(With tire deflection) Full compliance to ISO 14397-1:2007 Sections 1 thru 6, which requires 2% verification between calculations and testing.

(No tire deflection) Compliance to ISO 14397-1:2007 Sections 1 thru 5.

Other buckets are available and offerings vary by region. Consult your local Cat dealer for further details.

Operating Specifications – Buckets (continued)

| Linkage | | Standard Linkage | | | | | |
|--|-----------------|---|--|--|-----------------------|---|--------|
| Bucket Type | | Material Handling – Pin-On – Abrasion BGE | Material Handling – Pin-On – Flat Floor – Abrasion BGE FMT | Material Handling – Pin-On – Flat Floor – Abrasion BGE | | Material Handling – Pin-On – Flat Floor – BGE FMT | |
| | | Bolt-On Cutting Edges | Tips | Bolt-On Cutting Edges | Bolt-On Cutting Edges | Tips | Tips |
| Capacity – Rated | m ³ | 4.20 | 4.20 | 4.40 | 4.40 | 4.40 | 4.40 |
| | yd ³ | 5.50 | 5.50 | 5.75 | 5.75 | 5.75 | 5.75 |
| Capacity – Rated at 110% Fill Factor | m ³ | 4.60 | 4.60 | 4.80 | 4.80 | 4.80 | 4.80 |
| | yd ³ | 6.00 | 6.00 | 6.25 | 6.25 | 6.25 | 6.25 |
| Width | mm | 2995 | 2996 | 3220 | 2995 | 3312 | 2996 |
| | ft/in | 9'9" | 9'9" | 10'6" | 9'9" | 10'10" | 9'9" |
| 16† Dump Clearance at Maximum Lift and 45° Discharge | mm | 2904 | 2706 | 2931 | 2872 | 2762 | 2695 |
| | ft/in | 9'6" | 8'10" | 9'7" | 9'5" | 9'0" | 8'10" |
| 17† Reach at Maximum Lift and 45° Discharge | mm | 1298 | 1529 | 1271 | 1329 | 1473 | 1540 |
| | ft/in | 4'3" | 5'0" | 4'2" | 4'4" | 4'10" | 5'0" |
| Reach at Level Lift Arm and Bucket Level | mm | 2849 | 3153 | 2811 | 2894 | 3073 | 3168 |
| | ft/in | 9'4" | 10'4" | 9'2" | 9'5" | 10'1" | 10'4" |
| A† Digging Depth | mm | 114 | 89 | 114 | 114 | 89 | 89 |
| | in | 4.5" | 3.5" | 4.5" | 4.5" | 3.5" | 3.5" |
| 12† Overall Length | mm | 8901 | 9186 | 8863 | 8946 | 9106 | 9201 |
| | ft/in | 29'3" | 30'2" | 29'1" | 29'5" | 29'11" | 30'3" |
| B† Overall Height with Bucket at Maximum Lift | mm | 5986 | 6058 | 5945 | 6031 | 5984 | 6078 |
| | ft/in | 19'8" | 19'11" | 19'7" | 19'10" | 19'8" | 20'0" |
| Loader Clearance Circle Radius with Bucket at Carry Position | mm | 7420 | 7492 | 7514 | 7432 | 7615 | 7496 |
| | ft/in | 24'5" | 24'7" | 24'8" | 24'5" | 25'0" | 24'8" |
| Static Tipping Load, Straight (With tire deflection) | kg | 16 243 | 16 168 | 16 144 | 16 111 | 16 191 | 16 140 |
| | lb | 35,799 | 35,636 | 35,583 | 35,509 | 35,687 | 35,573 |
| Static Tipping Load, Straight (No tire deflection) | kg | 17 337 | 17 281 | 17 235 | 17 210 | 17 297 | 17 255 |
| | lb | 38,211 | 38,088 | 37,987 | 37,931 | 38,123 | 38,031 |
| Static Tipping Load, Articulated (With tire deflection) | kg | 14 224 | 14 141 | 14 123 | 14 095 | 14 157 | 14 112 |
| | lb | 31,351 | 31,167 | 31,127 | 31,066 | 31,204 | 31,104 |
| Static Tipping Load, Articulated (No tire deflection) | kg | 15 326 | 15 260 | 15 222 | 15 202 | 15 270 | 15 235 |
| | lb | 33,780 | 33,635 | 33,549 | 33,505 | 33,656 | 33,578 |
| Breakout Force (§) | kN | 166 | 164 | 170 | 160 | 174 | 162 |
| | lbf | 37,323 | 37,053 | 38,221 | 36,026 | 39,287 | 36,608 |
| Operating Weight* | kg | 23 579 | 23 702 | 23 699 | 23 663 | 23 746 | 23 714 |
| | lb | 51,968 | 52,239 | 52,232 | 52,153 | 52,336 | 52,265 |

*Static tipping loads and operating weights shown are based on a machine configuration with Bridgestone 26.5R25 VJT L3 radial tires, full fluids, operator, standard counterweight, ride control, cold start, roading fenders, Product Link™, manual diff lock/open axles (front and rear), power train guard, secondary steering and sound suppression.

† Illustration shown with Dimension charts.

***Rock bucket specifications are given on Bridgestone 26.5R25 VSDL L5 radial tires.

(§) Measured 100 mm (4") behind tip of cutting edge with bucket hinge pin as pivot point in accordance with ISO 14397-2:2007.

(With tire deflection) Full compliance to ISO 14397-1:2007 Sections 1 thru 6, which requires 2% verification between calculations and testing.

(No tire deflection) Compliance to ISO 14397-1:2007 Sections 1 thru 5.

Other buckets are available and offerings vary by region. Consult your local Cat dealer for further details.

966 Wheel Loader Specifications

Operating Specifications – Buckets (continued)

| Linkage | | Standard Linkage | | | | | |
|--|-----------------|--|--------|---|-----------------------|--|-----------------------|
| Bucket Type | Edge Type | Material Handling – Pin-On – Flat Floor – Abrasion BGE FMT | | Material Handling – Pin-On – Flat Floor – BGE | | Material Handling – Pin-On – Flat Floor – Abrasion BGE | |
| | | Tips | Tips | Bolt-On Cutting Edges | Bolt-On Cutting Edges | Bolt-On Cutting Edges | Bolt-On Cutting Edges |
| Capacity – Rated | m ³ | 4.40 | 4.40 | 4.60 | 4.60 | 4.60 | 4.60 |
| | yd ³ | 5.75 | 5.75 | 6.00 | 6.00 | 6.00 | 6.00 |
| Capacity – Rated at 110% Fill Factor | m ³ | 4.80 | 4.80 | 5.10 | 5.10 | 5.10 | 5.10 |
| | yd ³ | 6.25 | 6.25 | 6.75 | 6.75 | 6.75 | 6.75 |
| Width | mm | 3312 | 2996 | 3220 | 2995 | 3220 | 2995 |
| | ft/in | 10'10" | 9'9" | 10'6" | 9'9" | 10'6" | 9'9" |
| 16† Dump Clearance at Maximum Lift and 45° Discharge | mm | 2762 | 2692 | 2903 | 2855 | 2903 | 2855 |
| | ft/in | 9'0" | 8'9" | 9'6" | 9'4" | 9'6" | 9'4" |
| 17† Reach at Maximum Lift and 45° Discharge | mm | 1473 | 1543 | 1299 | 1347 | 1299 | 1347 |
| | ft/in | 4'10" | 5'0" | 4'3" | 4'5" | 4'3" | 4'5" |
| Reach at Level Lift Arm and Bucket Level | mm | 3073 | 3173 | 2851 | 2919 | 2851 | 2919 |
| | ft/in | 10'1" | 10'4" | 9'4" | 9'6" | 9'4" | 9'6" |
| A† Digging Depth | mm | 89 | 89 | 114 | 114 | 114 | 114 |
| | in | 3.5" | 3.5" | 4.5" | 4.5" | 4.5" | 4.5" |
| 12† Overall Length | mm | 9106 | 9206 | 8903 | 8971 | 8903 | 8971 |
| | ft/in | 29'11" | 30'3" | 29'3" | 29'6" | 29'3" | 29'6" |
| B† Overall Height with Bucket at Maximum Lift | mm | 5984 | 6087 | 5984 | 6057 | 5987 | 6057 |
| | ft/in | 19'8" | 20'0" | 19'8" | 19'11" | 19'8" | 19'11" |
| Loader Clearance Circle Radius with Bucket at Carry Position | mm | 7615 | 7498 | 7524 | 7438 | 7524 | 7438 |
| | ft/in | 25'0" | 24'8" | 24'9" | 24'5" | 24'9" | 24'5" |
| Static Tipping Load, Straight (With tire deflection) | kg | 16 185 | 16 122 | 16 044 | 16 073 | 16 045 | 16 040 |
| | lb | 35,673 | 35,534 | 35,363 | 35,426 | 35,364 | 35,354 |
| Static Tipping Load, Straight (No tire deflection) | kg | 17 291 | 17 238 | 17 139 | 17 181 | 17 140 | 17 149 |
| | lb | 38,109 | 37,994 | 37,776 | 37,868 | 37,777 | 37,797 |
| Static Tipping Load, Articulated (With tire deflection) | kg | 14 151 | 14 095 | 14 026 | 14 056 | 14 026 | 14 023 |
| | lb | 31,190 | 31,067 | 30,913 | 30,979 | 30,914 | 30,907 |
| Static Tipping Load, Articulated (No tire deflection) | kg | 15 264 | 15 219 | 15 128 | 15 171 | 15 129 | 15 139 |
| | lb | 33,642 | 33,542 | 33,343 | 33,438 | 33,344 | 33,367 |
| Breakout Force (§) | kN | 174 | 162 | 164 | 157 | 164 | 157 |
| | lbf | 39,257 | 36,487 | 37,055 | 35,358 | 37,055 | 35,324 |
| Operating Weight* | kg | 23 748 | 23 735 | 23 762 | 23 701 | 23 761 | 23 738 |
| | lb | 52,340 | 52,312 | 52,371 | 52,237 | 52,369 | 52,318 |

*Static tipping loads and operating weights shown are based on a machine configuration with Bridgestone 26.5R25 VJT L3 radial tires, full fluids, operator, standard counterweight, ride control, cold start, roading fenders, Product Link™, manual diff lock/open axles (front and rear), power train guard, secondary steering and sound suppression.

† Illustration shown with Dimension charts.

***Rock bucket specifications are given on Bridgestone 26.5R25 VSDL L5 radial tires.

(§) Measured 100 mm (4") behind tip of cutting edge with bucket hinge pin as pivot point in accordance with ISO 14397-2:2007.

(With tire deflection) Full compliance to ISO 14397-1:2007 Sections 1 thru 6, which requires 2% verification between calculations and testing.

(No tire deflection) Compliance to ISO 14397-1:2007 Sections 1 thru 5.

Other buckets are available and offerings vary by region. Consult your local Cat dealer for further details.

966 Wheel Loader Specifications

Operating Specifications – Buckets (continued)

| Linkage | | Standard Linkage | | | | | |
|--|-----------------|--|--------|---|-----------------------|--|--------|
| | | Material Handling – Pin-On – Flat Floor – Abrasion BGE FMT | | Material Handling – Pin-On – Flat Floor – BGE FMT | | Material Handling – Pin-On – Flat Floor – Heavy Duty | |
| Bucket Type | | | | | | | |
| Edge Type | | Tips | Tips | Tips | Bolt-On Cutting Edges | Teeth and Segments | Tips |
| Capacity – Rated | m ³ | 4.60 | 4.60 | 4.60 | 4.60 | 4.60 | 4.40 |
| | yd ³ | 6.00 | 6.00 | 6.00 | 6.00 | 6.00 | 5.75 |
| Capacity – Rated at 110% Fill Factor | m ³ | 5.10 | 5.10 | 5.10 | 5.10 | 5.10 | 4.90 |
| | yd ³ | 6.75 | 6.75 | 6.75 | 6.75 | 6.75 | 6.50 |
| Width | mm | 3312 | 2996 | 2996 | 3220 | 3271 | 3271 |
| | ft/in | 10'10" | 9'9" | 9'9" | 10'6" | 10'8" | 10'8" |
| 16† Dump Clearance at Maximum Lift and 45° Discharge | mm | 2734 | 2660 | 2662 | 2903 | 2740 | 2740 |
| | ft/in | 8'11" | 8'8" | 8'8" | 9'6" | 8'11" | 8'11" |
| 17† Reach at Maximum Lift and 45° Discharge | mm | 1501 | 1575 | 1573 | 1299 | 1426 | 1426 |
| | ft/in | 4'11" | 5'2" | 5'1" | 4'3" | 4'8" | 4'8" |
| Reach at Level Lift Arm and Bucket Level | mm | 3113 | 3218 | 3215 | 2851 | 3055 | 3055 |
| | ft/in | 10'2" | 10'6" | 10'6" | 9'4" | 10'0" | 10'0" |
| A† Digging Depth | mm | 89 | 89 | 89 | 114 | 114 | 84 |
| | in | 3.5" | 3.5" | 3.5" | 4.5" | 4.5" | 3.3" |
| 12† Overall Length | mm | 9146 | 9251 | 9248 | 8903 | 9128 | 9128 |
| | ft/in | 30'1" | 30'5" | 30'5" | 29'3" | 30'0" | 30'0" |
| B† Overall Height with Bucket at Maximum Lift | mm | 6027 | 6118 | 6128 | 5992 | 5992 | 5992 |
| | ft/in | 19'10" | 20'1" | 20'2" | 19'8" | 19'8" | 19'8" |
| Loader Clearance Circle Radius with Bucket at Carry Position | mm | 7625 | 7510 | 7509 | 7524 | 7610 | 7610 |
| | ft/in | 25'1" | 24'8" | 24'8" | 24'9" | 25'0" | 25'0" |
| Static Tipping Load, Straight (With tire deflection) | kg | 16 085 | 16 023 | 16 023 | 16 527 | 16 342 | 16 653 |
| | lb | 35,453 | 35,315 | 35,316 | 36,427 | 36,019 | 36,703 |
| Static Tipping Load, Straight (No tire deflection) | kg | 17 194 | 17 146 | 17 144 | 17 644 | 17 456 | 17 777 |
| | lb | 37,897 | 37,790 | 37,785 | 38,887 | 38,475 | 39,181 |
| Static Tipping Load, Articulated (With tire deflection) | kg | 14 054 | 13 998 | 13 999 | 14 497 | 14 312 | 14 607 |
| | lb | 30,976 | 30,852 | 30,854 | 31,953 | 31,545 | 32,195 |
| Static Tipping Load, Articulated (No tire deflection) | kg | 15 171 | 15 128 | 15 126 | 15 621 | 15 434 | 15 739 |
| | lb | 33,437 | 33,342 | 33,339 | 34,430 | 34,017 | 34,688 |
| Breakout Force (§) | kN | 169 | 157 | 157 | 166 | 164 | 175 |
| | lbf | 38,026 | 35,274 | 35,329 | 37,355 | 36,996 | 39,539 |
| Operating Weight* | kg | 23 810 | 23 800 | 23 790 | 23 427 | 23 565 | 23 402 |
| | lb | 52,477 | 52,455 | 52,433 | 51,633 | 51,937 | 51,577 |

*Static tipping loads and operating weights shown are based on a machine configuration with Bridgestone 26.5R25 VJT L3 radial tires, full fluids, operator, standard counterweight, ride control, cold start, roading fenders, Product Link™, manual diff lock/open axles (front and rear), power train guard, secondary steering and sound suppression.

† Illustration shown with Dimension charts.

***Rock bucket specifications are given on Bridgestone 26.5R25 VSDL L5 radial tires.

(§) Measured 100 mm (4") behind tip of cutting edge with bucket hinge pin as pivot point in accordance with ISO 14397-2:2007.

(With tire deflection) Full compliance to ISO 14397-1:2007 Sections 1 thru 6, which requires 2% verification between calculations and testing.

(No tire deflection) Compliance to ISO 14397-1:2007 Sections 1 thru 5.

Other buckets are available and offerings vary by region. Consult your local Cat dealer for further details.

966 Wheel Loader Specifications

Operating Specifications – Buckets *(continued)*

| Linkage | | Standard Linkage | | | | | |
|--|-----------------|---|--------------------|--------|-----------------------|--------------------|--------|
| Bucket Type | | Material Handling – Hook-On – Flat Floor – Fusion | | | | | |
| Edge Type | | Bolt-On Cutting Edges | Teeth and Segments | Tips | Bolt-On Cutting Edges | Teeth and Segments | Tips |
| Capacity – Rated | m ³ | 4.20 | 4.20 | 4.00 | 4.40 | 4.40 | 4.20 |
| | yd ³ | 5.50 | 5.50 | 5.25 | 5.75 | 5.75 | 5.50 |
| Capacity – Rated at 110% Fill Factor | m ³ | 4.60 | 4.60 | 4.40 | 4.80 | 4.80 | 4.60 |
| | yd ³ | 6.00 | 6.00 | 5.75 | 6.25 | 6.25 | 6.00 |
| Width | mm | 3220 | 3271 | 3271 | 3220 | 3271 | 3271 |
| | ft/in | 10'6" | 10'8" | 10'8" | 10'6" | 10'8" | 10'8" |
| 16 † Dump Clearance at Maximum Lift and 45° Discharge | mm | 2909 | 2746 | 2746 | 2882 | 2719 | 2719 |
| | ft/in | 9'6" | 9'0" | 9'0" | 9'5" | 8'11" | 8'11" |
| 17 † Reach at Maximum Lift and 45° Discharge | mm | 1293 | 1420 | 1420 | 1320 | 1447 | 1447 |
| | ft/in | 4'2" | 4'7" | 4'7" | 4'3" | 4'8" | 4'8" |
| Reach at Level Lift Arm and Bucket Level | mm | 2842 | 3047 | 3047 | 2881 | 3085 | 3085 |
| | ft/in | 9'3" | 9'11" | 9'11" | 9'5" | 10'1" | 10'1" |
| A † Digging Depth | mm | 114 | 114 | 84 | 114 | 114 | 84 |
| | in | 4.5" | 4.5" | 3.3" | 4.5" | 4.5" | 3.3" |
| 12 † Overall Length | mm | 8894 | 9119 | 9119 | 8933 | 9158 | 9158 |
| | ft/in | 29'3" | 30'0" | 30'0" | 29'4" | 30'1" | 30'1" |
| B † Overall Height with Bucket at Maximum Lift | mm | 5953 | 5953 | 5953 | 5983 | 5983 | 5983 |
| | ft/in | 19'7" | 19'7" | 19'7" | 19'8" | 19'8" | 19'8" |
| Loader Clearance Circle Radius with Bucket at Carry Position | mm | 7538 | 7628 | 7628 | 7549 | 7639 | 7639 |
| | ft/in | 24'9" | 25'1" | 25'1" | 24'10" | 25'1" | 25'1" |
| Static Tipping Load, Straight (With tire deflection) | kg | 16 152 | 15 970 | 16 310 | 16 077 | 15 894 | 16 233 |
| | lb | 35,600 | 35,198 | 35,948 | 35,434 | 35,031 | 35,779 |
| Static Tipping Load, Straight (No tire deflection) | kg | 17 244 | 17 060 | 17 413 | 17 175 | 16 989 | 17 342 |
| | lb | 38,007 | 37,600 | 38,379 | 37,854 | 37,445 | 38,222 |
| Static Tipping Load, Articulated (With tire deflection) | kg | 14 148 | 13 966 | 14 291 | 14 074 | 13 891 | 14 215 |
| | lb | 31,183 | 30,781 | 31,498 | 31,020 | 30,616 | 31,331 |
| Static Tipping Load, Articulated (No tire deflection) | kg | 15 248 | 15 064 | 15 402 | 15 180 | 14 995 | 15 332 |
| | lb | 33,608 | 33,201 | 33,946 | 33,457 | 33,048 | 33,792 |
| Breakout Force (§) | kN | 167 | 166 | 177 | 162 | 161 | 172 |
| | lbf | 37,690 | 37,331 | 39,907 | 36,614 | 36,256 | 38,711 |
| Operating Weight* | kg | 23 653 | 23 790 | 23 627 | 23 707 | 23 845 | 23 682 |
| | lb | 52,130 | 52,433 | 52,074 | 52,249 | 52,553 | 52,193 |

*Static tipping loads and operating weights shown are based on a machine configuration with Bridgestone 26.5R25 VJT L3 radial tires, full fluids, operator, standard counterweight, ride control, cold start, roading fenders, Product Link™, manual diff lock/open axles (front and rear), power train guard, secondary steering and sound suppression.

† Illustration shown with Dimension charts.

***Rock bucket specifications are given on Bridgestone 26.5R25 VSDL L5 radial tires.

(§) Measured 100 mm (4") behind tip of cutting edge with bucket hinge pin as pivot point in accordance with ISO 14397-2:2007.

(With tire deflection) Full compliance to ISO 14397-1:2007 Sections 1 thru 6, which requires 2% verification between calculations and testing.

(No tire deflection) Compliance to ISO 14397-1:2007 Sections 1 thru 5.

Other buckets are available and offerings vary by region. Consult your local Cat dealer for further details.

966 Wheel Loader Specifications

Operating Specifications – Buckets (continued)

| Linkage | | Standard Linkage | | | | | |
|--|-----------------|---|--------------------|--------|--|-----------------------|-----------------------|
| Bucket Type | | Material Handling – Hook-On – Flat Floor – Fusion | | | Material Handling – Hook-On – Flat Floor – VCE | | |
| | | Bolt-On Cutting Edges | Teeth and Segments | Tips | Bolt-On Cutting Edges | Bolt-On Cutting Edges | Bolt-On Cutting Edges |
| Edge Type | | | | | | | |
| Capacity – Rated | m ³ | 4.80 | 4.80 | 4.60 | 4.20 | 4.60 | 4.80 |
| | yd ³ | 6.25 | 6.25 | 6.00 | 5.50 | 6.00 | 6.25 |
| Capacity – Rated at 110% Fill Factor | m ³ | 5.30 | 5.30 | 5.10 | 4.60 | 5.10 | 5.30 |
| | yd ³ | 7.00 | 7.00 | 6.75 | 6.00 | 6.75 | 7.00 |
| Width | mm | 3220 | 3271 | 3271 | 3220 | 3220 | 3230 |
| | ft/in | 10'6" | 10'8" | 10'8" | 10'6" | 10'6" | 10'7" |
| 16 † Dump Clearance at Maximum Lift and 45° Discharge | mm | 2824 | 2661 | 2661 | 2803 | 2747 | 2676 |
| | ft/in | 9'3" | 8'8" | 8'8" | 9'2" | 9'0" | 8'9" |
| 17 † Reach at Maximum Lift and 45° Discharge | mm | 1378 | 1505 | 1505 | 1407 | 1463 | 1530 |
| | ft/in | 4'6" | 4'11" | 4'11" | 4'7" | 4'9" | 5'0" |
| Reach at Level Lift Arm and Bucket Level | mm | 2962 | 3167 | 3167 | 2997 | 3077 | 3175 |
| | ft/in | 9'8" | 10'4" | 10'4" | 9'10" | 10'1" | 10'5" |
| A † Digging Depth | mm | 114 | 114 | 84 | 108 | 108 | 111 |
| | in | 4.5" | 4.5" | 3.3" | 4.2" | 4.2" | 4.3" |
| 12 † Overall Length | mm | 9014 | 9239 | 9239 | 9045 | 9125 | 9225 |
| | ft/in | 29'7" | 30'4" | 30'4" | 29'9" | 30'0" | 30'4" |
| B † Overall Height with Bucket at Maximum Lift | mm | 6076 | 6076 | 6076 | 6057 | 6139 | 6225 |
| | ft/in | 20'0" | 20'0" | 20'0" | 19'11" | 20'2" | 20'6" |
| Loader Clearance Circle Radius with Bucket at Carry Position | mm | 7571 | 7663 | 7663 | 7563 | 7586 | 7606 |
| | ft/in | 24'11" | 25'2" | 25'2" | 24'10" | 24'11" | 25'0" |
| Static Tipping Load, Straight (With tire deflection) | kg | 15 935 | 15 750 | 16 088 | 15 214 | 15 065 | 14 853 |
| | lb | 35,121 | 34,713 | 35,457 | 33,533 | 33,204 | 32,737 |
| Static Tipping Load, Straight (No tire deflection) | kg | 17 043 | 16 855 | 17 207 | 16 258 | 16 117 | 15 929 |
| | lb | 37,563 | 37,150 | 37,924 | 35,832 | 35,522 | 35,108 |
| Static Tipping Load, Articulated (With tire deflection) | kg | 13 936 | 13 751 | 14 074 | 13 289 | 13 144 | 12 933 |
| | lb | 30,716 | 30,307 | 31,020 | 29,290 | 28,970 | 28,505 |
| Static Tipping Load, Articulated (No tire deflection) | kg | 15 052 | 14 865 | 15 201 | 14 343 | 14 206 | 14 019 |
| | lb | 33,175 | 32,762 | 33,503 | 31,613 | 31,311 | 30,899 |
| Breakout Force (§) | kN | 153 | 152 | 162 | 149 | 141 | 131 |
| | lbf | 34,540 | 34,184 | 36,413 | 33,513 | 31,732 | 29,533 |
| Operating Weight* | kg | 23 792 | 23 930 | 23 767 | 23 869 | 23 962 | 24 135 |
| | lb | 52,437 | 52,741 | 52,381 | 52,607 | 52,812 | 53,193 |

*Static tipping loads and operating weights shown are based on a machine configuration with Bridgestone 26.5R25 VJT L3 radial tires, full fluids, operator, standard counterweight, ride control, cold start, roading fenders, Product Link™, manual diff lock/open axles (front and rear), power train guard, secondary steering and sound suppression.

† Illustration shown with Dimension charts.

***Rock bucket specifications are given on Bridgestone 26.5R25 VSDL L5 radial tires.

(§) Measured 100 mm (4") behind tip of cutting edge with bucket hinge pin as pivot point in accordance with ISO 14397-2:2007.

(With tire deflection) Full compliance to ISO 14397-1:2007 Sections 1 thru 6, which requires 2% verification between calculations and testing.

(No tire deflection) Compliance to ISO 14397-1:2007 Sections 1 thru 5.

Other buckets are available and offerings vary by region. Consult your local Cat dealer for further details.

966 Wheel Loader Specifications

Operating Specifications – Buckets (continued)

| Linkage | | Standard Linkage | | | | | | |
|--|-----------------|-----------------------|--------------------|--------|--------------------|--------|--------------------|--------|
| Bucket Type | | Rock, Spade – Pin-On | | | | | | |
| Edge Type | | Bolt-On Cutting Edges | Teeth and Segments | Tips | Teeth and Segments | Tips | Teeth and Segments | Tips |
| Capacity – Rated | m ³ | 3.20 | 3.20 | 3.00 | 3.40 | 3.20 | 4.00 | 3.80 |
| | yd ³ | 4.25 | 4.25 | 4.00 | 4.50 | 4.25 | 5.25 | 5.00 |
| Capacity – Rated at 110% Fill Factor | m ³ | 3.50 | 3.50 | 3.30 | 3.70 | 3.50 | 4.40 | 4.20 |
| | yd ³ | 4.50 | 4.50 | 4.25 | 4.75 | 4.50 | 5.75 | 5.50 |
| Width | mm | 3252 | 3252 | 3252 | 3286 | 3286 | 3255 | 3255 |
| | ft/in | 10'8" | 10'8" | 10'8" | 10'9" | 10'9" | 10'8" | 10'8" |
| 16† Dump Clearance at Maximum Lift and 45° Discharge | mm | 3126 | 3022 | 3022 | 2990 | 2990 | 2757 | 2757 |
| | ft/in | 10'3" | 9'10" | 9'10" | 9'9" | 9'9" | 9'0" | 9'0" |
| 17† Reach at Maximum Lift and 45° Discharge | mm | 1437 | 1537 | 1537 | 1538 | 1538 | 1660 | 1660 |
| | ft/in | 4'8" | 5'0" | 5'0" | 5'0" | 5'0" | 5'5" | 5'5" |
| Reach at Level Lift Arm and Bucket Level | mm | 2781 | 2923 | 2923 | 2947 | 2947 | 3211 | 3211 |
| | ft/in | 9'1" | 9'7" | 9'7" | 9'8" | 9'8" | 10'6" | 10'6" |
| A† Digging Depth | mm | 78 | 78 | 78 | 83 | 43 | 83 | 43 |
| | in | 3.0" | 3.0" | 3.0" | 3.2" | 1.7" | 3.2" | 1.7" |
| 12† Overall Length | mm | 8833 | 8997 | 8997 | 9021 | 9021 | 9269 | 9269 |
| | ft/in | 29'0" | 29'7" | 29'7" | 29'8" | 29'8" | 30'5" | 30'5" |
| B† Overall Height with Bucket at Maximum Lift | mm | 5896 | 5896 | 5896 | 5827 | 5827 | 5827 | 5827 |
| | ft/in | 19'5" | 19'5" | 19'5" | 19'2" | 19'2" | 19'2" | 19'2" |
| Loader Clearance Circle Radius with Bucket at Carry Position | mm | 7529 | 7576 | 7576 | 7597 | 7597 | 7647 | 7647 |
| | ft/in | 24'9" | 24'11" | 24'11" | 25'0" | 25'0" | 25'2" | 25'2" |
| Static Tipping Load, Straight (With tire deflection) | kg | 17 742 | 17 592 | 18 013 | 17 612 | 17 874 | 17 090 | 17 464 |
| | lb | 39,103 | 38,772 | 39,702 | 38,817 | 39,396 | 37,666 | 38,491 |
| Static Tipping Load, Straight (No tire deflection) | kg | 18 920 | 18 768 | 19 205 | 18 789 | 19 043 | 18 250 | 18 632 |
| | lb | 41,701 | 41,366 | 42,327 | 41,412 | 41,970 | 40,224 | 41,066 |
| Static Tipping Load, Articulated (With tire deflection) | kg | 15 587 | 15 437 | 15 844 | 15 464 | 15 732 | 14 979 | 15 345 |
| | lb | 34,354 | 34,023 | 34,921 | 34,084 | 34,675 | 33,014 | 33,821 |
| Static Tipping Load, Articulated (No tire deflection) | kg | 16 773 | 16 621 | 17 042 | 16 650 | 16 909 | 16 148 | 16 522 |
| | lb | 36,968 | 36,633 | 37,562 | 36,696 | 37,268 | 35,591 | 36,416 |
| Breakout Force (§) | kN | 195 | 194 | 196 | 184 | 193 | 151 | 158 |
| | lbf | 43,987 | 43,693 | 44,140 | 41,538 | 43,391 | 34,117 | 35,531 |
| Operating Weight* | kg | 24 456 | 24 567 | 24 336 | 24 488 | 24 258 | 24 635 | 24 404 |
| | lb | 53,900 | 54,145 | 53,636 | 53,971 | 53,464 | 54,295 | 53,786 |

*Static tipping loads and operating weights shown are based on a machine configuration with Bridgestone 26.5R25 VJT L3 radial tires, full fluids, operator, standard counterweight, ride control, cold start, roading fenders, Product Link™, manual diff lock/open axles (front and rear), power train guard, secondary steering and sound suppression.

† Illustration shown with Dimension charts.

***Rock bucket specifications are given on Bridgestone 26.5R25 VSDL L5 radial tires.

(§) Measured 100 mm (4") behind tip of cutting edge with bucket hinge pin as pivot point in accordance with ISO 14397-2:2007.

(With tire deflection) Full compliance to ISO 14397-1:2007 Sections 1 thru 6, which requires 2% verification between calculations and testing.

(No tire deflection) Compliance to ISO 14397-1:2007 Sections 1 thru 5.

Other buckets are available and offerings vary by region. Consult your local Cat dealer for further details.

966 Wheel Loader Specifications

Operating Specifications – Buckets (continued)

| Linkage | | Standard Linkage | | | | |
|--|-----------------|--------------------------------|--------------------|--------|---------------------------|-----------------------|
| Bucket Type | | Rock, Spade – Hook-On – Fusion | | | Rock, Spade – Pin-On – HD | |
| | | Teeth and Segments | Teeth and Segments | Tips | Bolt-On Cutting Edges | Bolt-On Cutting Edges |
| Edge Type | | | | | | |
| Capacity – Rated | m ³ | 3.40 | 3.70 | 3.50 | 2.80 | 3.20 |
| | yd ³ | 4.50 | 4.75 | 4.50 | 3.75 | 4.25 |
| Capacity – Rated at 110% Fill Factor | m ³ | 3.70 | 4.00 | 3.80 | 3.10 | 3.50 |
| | yd ³ | 4.75 | 5.25 | 5.00 | 4.00 | 4.50 |
| Width | mm | 3286 | 3258 | 3258 | 3288 | 3288 |
| | ft/in | 10'9" | 10'8" | 10'8" | 10'9" | 10'9" |
| 16† Dump Clearance at Maximum Lift and 45° Discharge | mm | 2970 | 2982 | 2982 | 3279 | 3164 |
| | ft/in | 9'8" | 9'9" | 9'9" | 10'9" | 10'4" |
| 17† Reach at Maximum Lift and 45° Discharge | mm | 1577 | 1618 | 1618 | 1343 | 1354 |
| | ft/in | 5'2" | 5'3" | 5'3" | 4'4" | 4'5" |
| Reach at Level Lift Arm and Bucket Level | mm | 2991 | 3014 | 3014 | 2602 | 2696 |
| | ft/in | 9'9" | 9'10" | 9'10" | 8'6" | 8'10" |
| A† Digging Depth | mm | 75 | 75 | 35 | 78 | 78 |
| | in | 2.9" | 2.9" | 1.4" | 3.0" | 3.0" |
| 12† Overall Length | mm | 9057 | 9066 | 9066 | 8650 | 8744 |
| | ft/in | 29'9" | 29'9" | 29'9" | 28'5" | 28'9" |
| B† Overall Height with Bucket at Maximum Lift | mm | 5633 | 5799 | 5799 | 5855 | 5953 |
| | ft/in | 18'6" | 19'1" | 19'1" | 19'3" | 19'7" |
| Loader Clearance Circle Radius with Bucket at Carry Position | mm | 7624 | 7611 | 7611 | 7499 | 7529 |
| | ft/in | 25'1" | 25'0" | 25'0" | 24'8" | 24'9" |
| Static Tipping Load, Straight (With tire deflection) | kg | 17 257 | 17 369 | 17 809 | 17 649 | 17 357 |
| | lb | 38,036 | 38,281 | 39,251 | 38,899 | 38,256 |
| Static Tipping Load, Straight (No tire deflection) | kg | 18 441 | 18 566 | 19 029 | 18 820 | 18 539 |
| | lb | 40,645 | 40,921 | 41,940 | 41,480 | 40,861 |
| Static Tipping Load, Articulated (With tire deflection) | kg | 15 115 | 15 225 | 15 648 | 15 483 | 15 201 |
| | lb | 33,314 | 33,558 | 34,489 | 34,125 | 33,503 |
| Static Tipping Load, Articulated (No tire deflection) | kg | 16 306 | 16 431 | 16 874 | 16 662 | 16 391 |
| | lb | 35,940 | 36,213 | 37,192 | 36,723 | 36,125 |
| Breakout Force (§) | kN | 179 | 175 | 183 | 198 | 182 |
| | lbf | 40,256 | 39,532 | 41,248 | 44,487 | 41,055 |
| Operating Weight* | kg | 24 857 | 24 758 | 24 533 | 24 705 | 24 872 |
| | lb | 54,784 | 54,565 | 54,069 | 54,449 | 54,817 |

*Static tipping loads and operating weights shown are based on a machine configuration with Bridgestone 26.5R25 VJT L3 radial tires, full fluids, operator, standard counterweight, ride control, cold start, roading fenders, Product Link™, manual diff lock/open axles (front and rear), power train guard, secondary steering and sound suppression.

† Illustration shown with Dimension charts.

***Rock bucket specifications are given on Bridgestone 26.5R25 VSDL L5 radial tires.

(§) Measured 100 mm (4") behind tip of cutting edge with bucket hinge pin as pivot point in accordance with ISO 14397-2:2007.

(With tire deflection) Full compliance to ISO 14397-1:2007 Sections 1 thru 6, which requires 2% verification between calculations and testing.

(No tire deflection) Compliance to ISO 14397-1:2007 Sections 1 thru 5.

Other buckets are available and offerings vary by region. Consult your local Cat dealer for further details.

966 Wheel Loader Specifications

Operating Specifications – Buckets (continued)

| Linkage | | Standard Linkage | | | |
|--|-----------------|------------------------|-----------------------|-----------------------|--|
| | | Coal – Pin-On – Fusion | | Coal – Pin-On | Flat Floor – Light Material – Hook-On – Fusion |
| Bucket Type | | Bolt-On Cutting Edges | Bolt-On Cutting Edges | Bolt-On Cutting Edges | Bolt-On Cutting Edges |
| Edge Type | | | | | |
| Capacity – Rated | m ³ | 6.70 | 7.70 | 7.10 | 9.80 |
| | yd ³ | 8.75 | 10.00 | 9.25 | 12.75 |
| Capacity – Rated at 110% Fill Factor | m ³ | 7.40 | 8.50 | 7.80 | 10.80 |
| | yd ³ | 9.75 | 11.00 | 10.25 | 14.25 |
| Width | mm | 3447 | 3447 | 3447 | 3943 |
| | ft/in | 11'3" | 11'3" | 11'3" | 12'11" |
| 16† Dump Clearance at Maximum Lift and 45° Discharge | mm | 2708 | 2597 | 2635 | 2604 |
| | ft/in | 8'10" | 8'6" | 8'7" | 8'6" |
| 17† Reach at Maximum Lift and 45° Discharge | mm | 1477 | 1588 | 1545 | 1609 |
| | ft/in | 4'10" | 5'2" | 5'0" | 5'3" |
| Reach at Level Lift Arm and Bucket Level | mm | 3115 | 3272 | 3214 | 3282 |
| | ft/in | 10'2" | 10'8" | 10'6" | 10'9" |
| A† Digging Depth | mm | 126 | 126 | 130 | 106 |
| | in | 4.9" | 4.9" | 5.1" | 4.2" |
| 12† Overall Length | mm | 9177 | 9334 | 9279 | 9327 |
| | ft/in | 30'2" | 30'8" | 30'6" | 30'8" |
| B† Overall Height with Bucket at Maximum Lift | mm | 6144 | 6297 | 6081 | 6508 |
| | ft/in | 20'2" | 20'8" | 20'0" | 21'5" |
| Loader Clearance Circle Radius with Bucket at Carry Position | mm | 7723 | 7768 | 7728 | 7989 |
| | ft/in | 25'5" | 25'6" | 25'5" | 26'3" |
| Static Tipping Load, Straight (With tire deflection) | kg | 15 916 | 15 572 | 16 184 | 16 311 |
| | lb | 35,079 | 34,322 | 35,669 | 35,951 |
| Static Tipping Load, Straight (No tire deflection) | kg | 17 104 | 16 774 | 17 351 | 17 596 |
| | lb | 37,699 | 36,971 | 38,242 | 38,783 |
| Static Tipping Load, Articulated (With tire deflection) | kg | 13 876 | 13 545 | 14 162 | 14 242 |
| | lb | 30,584 | 29,855 | 31,213 | 31,390 |
| Static Tipping Load, Articulated (No tire deflection) | kg | 15 070 | 14 753 | 15 335 | 15 529 |
| | lb | 33,215 | 32,515 | 33,800 | 34,227 |
| Breakout Force (§) | kN | 137 | 123 | 129 | 125 |
| | lbf | 30,812 | 27,820 | 29,109 | 28,146 |
| Operating Weight* | kg | 24 001 | 24 189 | 23 504 | 23 861 |
| | lb | 52,897 | 53,311 | 51,803 | 52,589 |

*Static tipping loads and operating weights shown are based on a machine configuration with Bridgestone 26.5R25 VJT L3 radial tires, full fluids, operator, standard counterweight, ride control, cold start, roading fenders, Product Link™, manual diff lock/open axles (front and rear), power train guard, secondary steering and sound suppression.

† Illustration shown with Dimension charts.

***Rock bucket specifications are given on Bridgestone 26.5R25 VSDL L5 radial tires.

(§) Measured 100 mm (4") behind tip of cutting edge with bucket hinge pin as pivot point in accordance with ISO 14397-2:2007.

(With tire deflection) Full compliance to ISO 14397-1:2007 Sections 1 thru 6, which requires 2% verification between calculations and testing.

(No tire deflection) Compliance to ISO 14397-1:2007 Sections 1 thru 5.

Other buckets are available and offerings vary by region. Consult your local Cat dealer for further details.

966 Wheel Loader Specifications

Operating Specifications – Buckets (continued)

| Linkage | | Standard Linkage | | | | | |
|--|-----------------|------------------------|--------------------|--------|----------------------------------|--------------------|--------|
| Bucket Type | | Multi-Purpose – Pin-On | | | Multi-Purpose – Hook-On – Fusion | | |
| Edge Type | | Bolt-On Cutting Edges | Teeth and Segments | Tips | Bolt-On Cutting Edges | Teeth and Segments | Tips |
| Capacity – Rated | m ³ | 3.10 | 3.10 | 2.90 | 3.10 | 3.10 | 2.90 |
| | yd ³ | 4.00 | 4.00 | 3.75 | 4.00 | 4.00 | 3.75 |
| Capacity – Rated at 110% Fill Factor | m ³ | 3.40 | 3.40 | 3.20 | 3.40 | 3.40 | 3.10 |
| | yd ³ | 4.50 | 4.50 | 4.25 | 4.50 | 4.50 | 4.00 |
| Width | mm | 3226 | 3226 | 3226 | 3226 | 3301 | 3301 |
| | ft/in | 10'7" | 10'7" | 10'7" | 10'7" | 10'9" | 10'9" |
| 16 † Dump Clearance at Maximum Lift and 45° Discharge | mm | 3211 | 3082 | 3082 | 3319 | 3194 | 3194 |
| | ft/in | 10'6" | 10'1" | 10'1" | 10'10" | 10'5" | 10'5" |
| 17 † Reach at Maximum Lift and 45° Discharge | mm | 1334 | 1509 | 1508 | 1418 | 1585 | 1585 |
| | ft/in | 4'4" | 4'11" | 4'11" | 4'7" | 5'2" | 5'2" |
| Reach at Level Lift Arm and Bucket Level | mm | 2587 | 2802 | 2802 | 2608 | 2815 | 2815 |
| | ft/in | 8'5" | 9'2" | 9'2" | 8'6" | 9'2" | 9'2" |
| A † Digging Depth | mm | 248 | 248 | 213 | 108 | 103 | 73 |
| | in | 9.7" | 9.7" | 8.4" | 4.2" | 4.0" | 2.9" |
| 12 † Overall Length | mm | 8742 | 8976 | 8976 | 8656 | 8885 | 8885 |
| | ft/in | 28'9" | 29'6" | 29'6" | 28'5" | 29'2" | 29'2" |
| B † Overall Height with Bucket at Maximum Lift | mm | 5526 | 5526 | 5526 | 5646 | 5646 | 5646 |
| | ft/in | 18'2" | 18'2" | 18'2" | 18'7" | 18'7" | 18'7" |
| Loader Clearance Circle Radius with Bucket at Carry Position | mm | 7513 | 7576 | 7575 | 7476 | 7576 | 7576 |
| | ft/in | 24'8" | 24'11" | 24'11" | 24'7" | 24'11" | 24'11" |
| Static Tipping Load, Straight (With tire deflection) | kg | 15 483 | 15 274 | 15 913 | 15 787 | 15 614 | 15 920 |
| | lb | 34,125 | 33,665 | 35,072 | 34,794 | 34,414 | 35,087 |
| Static Tipping Load, Straight (No tire deflection) | kg | 16 446 | 16 236 | 16 888 | 16 851 | 16 675 | 16 994 |
| | lb | 36,249 | 35,784 | 37,222 | 37,140 | 36,753 | 37,456 |
| Static Tipping Load, Articulated (With tire deflection) | kg | 13 541 | 13 332 | 13 961 | 13 789 | 13 617 | 13 907 |
| | lb | 29,846 | 29,385 | 30,771 | 30,392 | 30,012 | 30,651 |
| Static Tipping Load, Articulated (No tire deflection) | kg | 14 517 | 14 306 | 14 948 | 14 862 | 14 686 | 14 989 |
| | lb | 31,996 | 31,531 | 32,946 | 32,756 | 32,369 | 33,036 |
| Breakout Force (§) | kN | 201 | 198 | 217 | 203 | 203 | 218 |
| | lbf | 45,181 | 44,680 | 48,926 | 45,800 | 45,632 | 49,012 |
| Operating Weight* | kg | 23 765 | 23 928 | 23 498 | 24 205 | 24 363 | 24 201 |
| | lb | 52,377 | 52,736 | 51,789 | 53,347 | 53,696 | 53,339 |

*Static tipping loads and operating weights shown are based on a machine configuration with Bridgestone 26.5R25 VJT L3 radial tires, full fluids, operator, standard counterweight, ride control, cold start, roading fenders, Product Link™, manual diff lock/open axles (front and rear), power train guard, secondary steering and sound suppression.

† Illustration shown with Dimension charts.

***Rock bucket specifications are given on Bridgestone 26.5R25 VSDL L5 radial tires.

(§) Measured 100 mm (4") behind tip of cutting edge with bucket hinge pin as pivot point in accordance with ISO 14397-2:2007.

(With tire deflection) Full compliance to ISO 14397-1:2007 Sections 1 thru 6, which requires 2% verification between calculations and testing.

(No tire deflection) Compliance to ISO 14397-1:2007 Sections 1 thru 5.

Other buckets are available and offerings vary by region. Consult your local Cat dealer for further details.

966 Wheel Loader Specifications

Operating Specifications – Buckets (continued)

| Linkage | | Standard Linkage | | | | |
|--|-----------------|-----------------------|------------------------------|-----------------------|-----------------------|-----------------------------|
| | | Side Dump – Pin-On | Side Dump – Hook-On – Fusion | Woodchip – Pin-On | | Woodchip – Hook-On – Fusion |
| Bucket Type | | Bolt-On Cutting Edges | Bolt-On Cutting Edges | Bolt-On Cutting Edges | Bolt-On Cutting Edges | Bolt-On Cutting Edges |
| Edge Type | | | | | | |
| Capacity – Rated | m ³ | 3.60 | 3.60 | 8.20 | 11.90 | 11.90 |
| | yd ³ | 4.75 | 4.75 | 10.75 | 15.50 | 15.50 |
| Capacity – Rated at 110% Fill Factor | m ³ | 4.00 | 4.00 | 9.00 | 13.10 | 13.10 |
| | yd ³ | 5.25 | 5.25 | 11.75 | 17.25 | 17.25 |
| Width | mm | 3677 | 3677 | 3328 | 3943 | 3943 |
| | ft/in | 12'0" | 12'0" | 10'11" | 12'11" | 12'11" |
| 16† Dump Clearance at Maximum Lift and 45° Discharge | mm | 2899 | 2852 | 2600 | 2442 | 2442 |
| | ft/in | 9'6" | 9'4" | 8'6" | 8'0" | 8'0" |
| 17† Reach at Maximum Lift and 45° Discharge | mm | 1294 | 1370 | 1571 | 1732 | 1787 |
| | ft/in | 4'2" | 4'5" | 5'1" | 5'8" | 5'10" |
| Reach at Level Lift Arm and Bucket Level | mm | 2850 | 2937 | 3257 | 3483 | 3522 |
| | ft/in | 9'4" | 9'7" | 10'8" | 11'5" | 11'6" |
| A† Digging Depth | mm | 120 | 100 | 136 | 134 | 95 |
| | in | 4.7" | 3.9" | 5.3" | 5.3" | 3.7" |
| 12† Overall Length | mm | 8908 | 8977 | 9326 | 9551 | 9558 |
| | ft/in | 29'3" | 29'6" | 30'8" | 31'5" | 31'5" |
| B† Overall Height with Bucket at Maximum Lift | mm | 5786 | 5855 | 6473 | 6689 | 6696 |
| | ft/in | 19'0" | 19'3" | 21'3" | 22'0" | 22'0" |
| Loader Clearance Circle Radius with Bucket at Carry Position | mm | 7722 | 7832 | 7687 | 8026 | 8152 |
| | ft/in | 25'4" | 25'9" | 25'3" | 26'4" | 26'9" |
| Static Tipping Load, Straight (With tire deflection) | kg | 15 656 | 13 905 | 16 980 | 15 688 | 13 895 |
| | lb | 34,507 | 30,648 | 37,425 | 34,577 | 30,624 |
| Static Tipping Load, Straight (No tire deflection) | kg | 16 713 | 14 780 | 18 247 | 16 938 | 14 941 |
| | lb | 36,837 | 32,576 | 40,218 | 37,333 | 32,930 |
| Static Tipping Load, Articulated (With tire deflection) | kg | 13 708 | 12 118 | 14 930 | 13 663 | 12 031 |
| | lb | 30,212 | 26,708 | 32,905 | 30,114 | 26,517 |
| Static Tipping Load, Articulated (No tire deflection) | kg | 14 775 | 13 006 | 16 200 | 14 918 | 13 089 |
| | lb | 32,564 | 28,666 | 35,706 | 32,880 | 28,848 |
| Breakout Force (§) | kN | 165 | 155 | 129 | 110 | 104 |
| | lbf | 37,103 | 34,916 | 29,014 | 24,783 | 23,375 |
| Operating Weight* | kg | 23 635 | 24 172 | 23 009 | 24 029 | 24 494 |
| | lb | 52,091 | 53,274 | 50,712 | 52,960 | 53,985 |

*Static tipping loads and operating weights shown are based on a machine configuration with Bridgestone 26.5R25 VJT L3 radial tires, full fluids, operator, standard counterweight, ride control, cold start, roading fenders, Product Link™, manual diff lock/open axles (front and rear), power train guard, secondary steering and sound suppression.

† Illustration shown with Dimension charts.

***Rock bucket specifications are given on Bridgestone 26.5R25 VSDL L5 radial tires.

(§) Measured 100 mm (4") behind tip of cutting edge with bucket hinge pin as pivot point in accordance with ISO 14397-2:2007.

(With tire deflection) Full compliance to ISO 14397-1:2007 Sections 1 thru 6, which requires 2% verification between calculations and testing.

(No tire deflection) Compliance to ISO 14397-1:2007 Sections 1 thru 5.

Other buckets are available and offerings vary by region. Consult your local Cat dealer for further details.

966 Wheel Loader Specifications

Operating Specifications – Buckets (continued)

| Linkage | | Standard Linkage | | |
|--|-----------------|-----------------------------|-----------------------------|-----------------------------|
| Bucket Type | | Load & Carry – Pin-On | Dozing – Pin-On | Tamp & Clamp – Pin-On |
| Edge Type | | Steel Bolt-On Cutting Edges | Steel Bolt-On Cutting Edges | Steel Bolt-On Cutting Edges |
| Capacity – Rated | m ³ | 7.40 | 6.50 | 5.00 |
| | yd ³ | 9.75 | 8.50 | 6.50 |
| Capacity – Rated at 110% Fill Factor | m ³ | 8.10 | 7.20 | 5.50 |
| | yd ³ | 10.50 | 9.50 | 7.25 |
| Width | mm | 3357 | 3323 | 3357 |
| | ft/in | 11'0" | 10'10" | 11'0" |
| 16† Dump Clearance at Maximum Lift and 45° Discharge | mm | 2642 | 2846 | 2429 |
| | ft/in | 8'8" | 9'4" | 7'11" |
| 17† Reach at Maximum Lift and 45° Discharge | mm | 1515 | 1162 | 1729 |
| | ft/in | 4'11" | 3'9" | 5'8" |
| Reach at Level Lift Arm and Bucket Level | mm | 3188 | 2794 | 3490 |
| | ft/in | 10'5" | 9'2" | 11'5" |
| A† Digging Depth | mm | 106 | 252 | 106 |
| | in | 4.1" | 9.9" | 4.1" |
| 12† Overall Length | mm | 9265 | 8952 | 9567 |
| | ft/in | 30'5" | 29'5" | 31'5" |
| B† Overall Height with Bucket at Maximum Lift | mm | 6349 | 6572 | 5488 |
| | ft/in | 20'10" | 21'7" | 18'1" |
| Loader Clearance Circle Radius with Bucket at Carry Position | mm | 7686 | 7609 | 7768 |
| | ft/in | 25'3" | 25'0" | 25'6" |
| Static Tipping Load, Straight (With tire deflection) | kg | 15 438 | 17 263 | 13 372 |
| | lb | 34,026 | 38,047 | 29,472 |
| Static Tipping Load, Straight (No tire deflection) | kg | 16 602 | 18 612 | 14 339 |
| | lb | 36,592 | 41,021 | 31,603 |
| Static Tipping Load, Articulated (With tire deflection) | kg | 13 436 | 15 113 | 11 515 |
| | lb | 29,612 | 33,310 | 25,381 |
| Static Tipping Load, Articulated (No tire deflection) | kg | 14 607 | 16 461 | 12 497 |
| | lb | 32,194 | 36,281 | 27,544 |
| Breakout Force (§) | kN | 136 | 169 | 111 |
| | lbf | 30,628 | 38,098 | 25,049 |
| Operating Weight* | kg | 24 117 | 23 713 | 25 043 |
| | lb | 53,154 | 52,264 | 55,195 |

*Static tipping loads and operating weights shown are based on a machine configuration with Bridgestone 26.5R25 VJT L3 radial tires, full fluids, operator, standard counterweight, ride control, cold start, roading fenders, Product Link™, manual diff lock/open axles (front and rear), power train guard, secondary steering and sound suppression.

† Illustration shown with Dimension charts.

***Rock bucket specifications are given on Bridgestone 26.5R25 VSDL L5 radial tires.

(§) Measured 100 mm (4") behind tip of cutting edge with bucket hinge pin as pivot point in accordance with ISO 14397-2:2007.

(With tire deflection) Full compliance to ISO 14397-1:2007 Sections 1 thru 6, which requires 2% verification between calculations and testing.

(No tire deflection) Compliance to ISO 14397-1:2007 Sections 1 thru 5.

Other buckets are available and offerings vary by region. Consult your local Cat dealer for further details.

966 Wheel Loader Specifications

Operating Specifications – Buckets (continued)

| Linkage | | Standard Linkage | | | | | | |
|--|-----------------|------------------------------|-----------------------|-----------------------|-----------------------|-----------------------|-----------------------|-----------------------|
| | | High Dump – Hook-On – Fusion | | | | High Dump – Pin-On | | |
| Bucket Type | | Bolt-On Cutting Edges | Bolt-On Cutting Edges | Bolt-On Cutting Edges | Bolt-On Cutting Edges | Bolt-On Cutting Edges | Bolt-On Cutting Edges | Bolt-On Cutting Edges |
| Edge Type | | | | | | | | |
| Capacity – Rated | m ³ | 5.40 | 7.60 | 9.20 | 11.10 | 7.60 | 9.20 | 11.10 |
| | yd ³ | 7.00 | 10.00 | 12.00 | 14.50 | 10.00 | 12.00 | 14.50 |
| Capacity – Rated at 110% Fill Factor | m ³ | 5.90 | 8.40 | 10.10 | 12.20 | 8.40 | 10.10 | 12.20 |
| | yd ³ | 7.75 | 11.00 | 13.25 | 16.00 | 11.00 | 13.25 | 16.00 |
| Width | mm | 3059 | 3350 | 3656 | 3656 | 3350 | 3656 | 3656 |
| | ft/in | 10'0" | 10'11" | 11'11" | 11'11" | 10'11" | 11'11" | 11'11" |
| 16† Dump Clearance at Maximum Lift and 45° Discharge | mm | 2601 | 2412 | 2356 | 2200 | 2426 | 2370 | 2214 |
| | ft/in | 8'6" | 7'10" | 7'8" | 7'2" | 7'11" | 7'9" | 7'3" |
| 17† Reach at Maximum Lift and 45° Discharge | mm | 1568 | 1790 | 1846 | 2002 | 1776 | 1832 | 1988 |
| | ft/in | 5'1" | 5'10" | 6'0" | 6'6" | 5'9" | 6'0" | 6'6" |
| Reach at Level Lift Arm and Bucket Level | mm | 3255 | 3545 | 3625 | 3845 | 3525 | 3605 | 3825 |
| | ft/in | 10'8" | 11'7" | 11'10" | 12'7" | 11'6" | 11'9" | 12'6" |
| A† Digging Depth | mm | 137 | 84 | 84 | 84 | 84 | 84 | 84 |
| | in | 5.4" | 3.3" | 3.3" | 3.3" | 3.3" | 3.3" | 3.3" |
| 12† Overall Length | mm | 9326 | 9597 | 9677 | 9897 | 9577 | 9657 | 9877 |
| | ft/in | 30'8" | 31'6" | 31'9" | 32'6" | 31'6" | 31'9" | 32'5" |
| B† Overall Height with Bucket at Maximum Lift | mm | 6193 | 6406 | 6488 | 6712 | 6394 | 6476 | 6700 |
| | ft/in | 20'4" | 21'1" | 21'4" | 22'1" | 21'0" | 21'3" | 22'0" |
| Loader Clearance Circle Radius with Bucket at Carry Position | mm | 7592 | 7802 | 7963 | 8032 | 7795 | 7956 | 8023 |
| | ft/in | 24'11" | 25'8" | 26'2" | 26'5" | 25'7" | 26'2" | 26'4" |
| Static Tipping Load, Straight (With tire deflection) | kg | 15 056 | 14 279 | 14 008 | 13 670 | 14 725 | 14 455 | 14 112 |
| | lb | 33,185 | 31,471 | 30,874 | 30,128 | 32,454 | 31,859 | 31,103 |
| Static Tipping Load, Straight (No tire deflection) | kg | 16 170 | 15 430 | 15 167 | 14 850 | 15 885 | 15 623 | 15 302 |
| | lb | 35,640 | 34,009 | 33,428 | 32,729 | 35,010 | 34,433 | 33,725 |
| Static Tipping Load, Articulated (With tire deflection) | kg | 13 095 | 12 341 | 12 074 | 11 746 | 12 780 | 12 513 | 12 180 |
| | lb | 28,861 | 27,201 | 26,612 | 25,889 | 28,167 | 27,579 | 26,846 |
| Static Tipping Load, Articulated (No tire deflection) | kg | 14 216 | 13 501 | 13 240 | 12 933 | 13 947 | 13 688 | 13 377 |
| | lb | 31,333 | 29,756 | 29,182 | 28,505 | 30,740 | 30,170 | 29,485 |
| Breakout Force (§) | kN | 126 | 110 | 104 | 92 | 111 | 106 | 94 |
| | lbf | 28,402 | 24,821 | 23,539 | 20,884 | 25,125 | 23,825 | 21,126 |
| Operating Weight* | kg | 24 198 | 24 779 | 24 995 | 25 202 | 24 300 | 24 516 | 24 723 |
| | lb | 53,332 | 54,612 | 55,089 | 55,545 | 53,557 | 54,033 | 54,489 |

*Static tipping loads and operating weights shown are based on a machine configuration with Bridgestone 26.5R25 VJT L3 radial tires, full fluids, operator, standard counterweight, ride control, cold start, roading fenders, Product Link™, manual diff lock/open axles (front and rear), power train guard, secondary steering and sound suppression.

† Illustration shown with Dimension charts.

***Rock bucket specifications are given on Bridgestone 26.5R25 VSDL L5 radial tires.

(§) Measured 100 mm (4") behind tip of cutting edge with bucket hinge pin as pivot point in accordance with ISO 14397-2:2007.

(With tire deflection) Full compliance to ISO 14397-1:2007 Sections 1 thru 6, which requires 2% verification between calculations and testing.

(No tire deflection) Compliance to ISO 14397-1:2007 Sections 1 thru 5.

Other buckets are available and offerings vary by region. Consult your local Cat dealer for further details.

966 Wheel Loader Specifications

Operating Specifications – Buckets (continued)

| Linkage | | Standard Linkage | | | | | |
|--|-----------------|--------------------------|-----------------------|-----------------------|---------------------------|-----------------------|-----------------------|
| Bucket Type | | High Dump – Hook-On – SW | | | High Dump – Hook-On – VCE | | |
| | | Bolt-On Cutting Edges | Bolt-On Cutting Edges | Bolt-On Cutting Edges | Bolt-On Cutting Edges | Bolt-On Cutting Edges | Bolt-On Cutting Edges |
| Capacity – Rated | m ³ | 7.60 | 9.20 | 11.10 | 7.60 | 9.20 | 11.10 |
| | yd ³ | 10.00 | 12.00 | 14.50 | 10.00 | 12.00 | 14.50 |
| Capacity – Rated at 110% Fill Factor | m ³ | 8.40 | 10.10 | 12.20 | 8.40 | 10.10 | 12.20 |
| | yd ³ | 11.00 | 13.25 | 16.00 | 11.00 | 13.25 | 16.00 |
| Width | mm | 3350 | 3656 | 3656 | 3350 | 3656 | 3656 |
| | ft/in | 10'11" | 11'11" | 11'11" | 10'11" | 11'11" | 11'11" |
| 16 † Dump Clearance at Maximum Lift and 45° Discharge | mm | 2380 | 2324 | 2168 | 2339 | 2282 | 2127 |
| | ft/in | 7'9" | 7'7" | 7'1" | 7'8" | 7'5" | 6'11" |
| 17 † Reach at Maximum Lift and 45° Discharge | mm | 1822 | 1878 | 2034 | 1881 | 1938 | 2094 |
| | ft/in | 5'11" | 6'1" | 6'8" | 6'2" | 6'4" | 6'10" |
| Reach at Level Lift Arm and Bucket Level | mm | 3590 | 3670 | 3890 | 3662 | 3742 | 3962 |
| | ft/in | 11'9" | 12'0" | 12'9" | 12'0" | 12'3" | 12'11" |
| A † Digging Depth | mm | 84 | 84 | 84 | 71 | 71 | 71 |
| | in | 3.3" | 3.3" | 3.3" | 2.8" | 2.8" | 2.8" |
| 12 † Overall Length | mm | 9642 | 9722 | 9942 | 9703 | 9783 | 10 003 |
| | ft/in | 31'8" | 31'11" | 32'8" | 31'10" | 32'2" | 32'10" |
| B † Overall Height with Bucket at Maximum Lift | mm | 6440 | 6522 | 6746 | 6496 | 6578 | 6802 |
| | ft/in | 21'2" | 21'5" | 22'2" | 21'4" | 21'7" | 22'4" |
| Loader Clearance Circle Radius with Bucket at Carry Position | mm | 7782 | 7943 | 8006 | 7818 | 7980 | 8051 |
| | ft/in | 25'7" | 26'1" | 26'4" | 25'8" | 26'3" | 26'5" |
| Static Tipping Load, Straight (With tire deflection) | kg | 14 154 | 13 886 | 13 549 | 13 564 | 13 291 | 12 943 |
| | lb | 31,196 | 30,606 | 29,862 | 29,896 | 29,295 | 28,527 |
| Static Tipping Load, Straight (No tire deflection) | kg | 15 296 | 15 035 | 14 719 | 14 664 | 14 396 | 14 064 |
| | lb | 33,713 | 33,139 | 32,440 | 32,319 | 31,729 | 30,997 |
| Static Tipping Load, Articulated (With tire deflection) | kg | 12 233 | 11 969 | 11 642 | 11 691 | 11 422 | 11 086 |
| | lb | 26,963 | 26,380 | 25,659 | 25,767 | 25,175 | 24,434 |
| Static Tipping Load, Articulated (No tire deflection) | kg | 13 384 | 13 126 | 12 819 | 12 800 | 12 537 | 12 216 |
| | lb | 29,498 | 28,931 | 28,254 | 28,212 | 27,632 | 26,925 |
| Breakout Force (§) | kN | 107 | 101 | 90 | 102 | 97 | 86 |
| | lbf | 24,142 | 22,904 | 20,346 | 23,044 | 21,867 | 19,461 |
| Operating Weight* | kg | 24 734 | 24 950 | 25 157 | 24 944 | 25 159 | 25 367 |
| | lb | 54,513 | 54,990 | 55,446 | 54,976 | 55,450 | 55,909 |

*Static tipping loads and operating weights shown are based on a machine configuration with Bridgestone 26.5R25 VJT L3 radial tires, full fluids, operator, standard counterweight, ride control, cold start, roading fenders, Product Link™, manual diff lock/open axles (front and rear), power train guard, secondary steering and sound suppression.

† Illustration shown with Dimension charts.

***Rock bucket specifications are given on Bridgestone 26.5R25 VSDL L5 radial tires.

(§) Measured 100 mm (4") behind tip of cutting edge with bucket hinge pin as pivot point in accordance with ISO 14397-2:2007.

(With tire deflection) Full compliance to ISO 14397-1:2007 Sections 1 thru 6, which requires 2% verification between calculations and testing.

(No tire deflection) Compliance to ISO 14397-1:2007 Sections 1 thru 5.

Other buckets are available and offerings vary by region. Consult your local Cat dealer for further details.

966 Wheel Loader Specifications

Operating Specifications – Buckets (continued)

| Linkage | | High Lift Linkage | | | | | |
|--|-----------------|--------------------------|--------------------|--------|--------------------|--------------------|--------------------|
| Bucket Type | | General Purpose – Pin-On | | | | | |
| Edge Type | | Bolt-On Cutting Edges | Teeth and Segments | Tips | Teeth and Segments | Teeth and Segments | Teeth and Segments |
| Capacity – Rated | m ³ | 4.60 | 4.60 | 4.40 | 3.80 | 4.00 | 4.20 |
| | yd ³ | 6.00 | 6.00 | 5.75 | 5.00 | 5.25 | 5.50 |
| Capacity – Rated at 110% Fill Factor | m ³ | 5.10 | 5.10 | 4.80 | 4.20 | 4.40 | 4.60 |
| | yd ³ | 6.75 | 6.75 | 6.25 | 5.50 | 5.75 | 6.00 |
| Width | mm | 3264 | 3300 | 3300 | 3301 | 3301 | 3301 |
| | ft/in | 10'8" | 10'9" | 10'9" | 10'9" | 10'9" | 10'9" |
| 16 † Dump Clearance at Maximum Lift and 45° Discharge | mm | 3545 | 3387 | 3387 | 3459 | 3450 | 3390 |
| | ft/in | 11'7" | 11'1" | 11'1" | 11'4" | 11'3" | 11'1" |
| 17 † Reach at Maximum Lift and 45° Discharge | mm | 1337 | 1472 | 1472 | 1397 | 1403 | 1462 |
| | ft/in | 4'4" | 4'9" | 4'9" | 4'7" | 4'7" | 4'9" |
| Reach at Level Lift Arm and Bucket Level | mm | 3222 | 3428 | 3428 | 3320 | 3330 | 3419 |
| | ft/in | 10'6" | 11'2" | 11'2" | 10'10" | 10'11" | 11'2" |
| A † Digging Depth | mm | 89 | 89 | 59 | 89 | 89 | 89 |
| | in | 3.5" | 3.5" | 2.3" | 3.5" | 3.5" | 3.5" |
| 12 † Overall Length | mm | 9539 | 9766 | 9766 | 9669 | 9679 | 9760 |
| | ft/in | 31'4" | 32'1" | 32'1" | 31'9" | 31'10" | 32'1" |
| B † Overall Height with Bucket at Maximum Lift | mm | 6579 | 6579 | 6579 | 6345 | 6456 | 6456 |
| | ft/in | 21'8" | 21'8" | 21'8" | 20'10" | 21'3" | 21'3" |
| Loader Clearance Circle Radius with Bucket at Carry Position | mm | 7772 | 7863 | 7863 | 7837 | 7840 | 7862 |
| | ft/in | 25'6" | 25'10" | 25'10" | 25'9" | 25'9" | 25'10" |
| Static Tipping Load, Straight (With tire deflection) | kg | 16 947 | 16 663 | 16 979 | 16 859 | 16 899 | 16 757 |
| | lb | 37,352 | 36,726 | 37,423 | 37,159 | 37,247 | 36,933 |
| Static Tipping Load, Straight (No tire deflection) | kg | 18 017 | 17 729 | 18 053 | 17 883 | 17 944 | 17 799 |
| | lb | 39,711 | 39,075 | 39,790 | 39,415 | 39,550 | 39,230 |
| Static Tipping Load, Articulated (With tire deflection) | kg | 14 719 | 14 435 | 14 738 | 14 643 | 14 671 | 14 541 |
| | lb | 32,442 | 31,816 | 32,482 | 32,273 | 32,335 | 32,048 |
| Static Tipping Load, Articulated (No tire deflection) | kg | 15 813 | 15 525 | 15 835 | 15 691 | 15 740 | 15 607 |
| | lb | 34,852 | 34,217 | 34,902 | 34,584 | 34,692 | 34,400 |
| Breakout Force (§) | kN | 156 | 152 | 163 | 168 | 166 | 156 |
| | lbf | 35,240 | 34,357 | 36,777 | 37,910 | 37,495 | 35,188 |
| Operating Weight* | kg | 24 932 | 25 104 | 24 943 | 24 915 | 24 964 | 24 994 |
| | lb | 54,949 | 55,328 | 54,973 | 54,911 | 55,019 | 55,085 |

*Static tipping loads and operating weights shown are based on a machine configuration with Bridgestone 26.5R25 VJT L3 radial tires, full fluids, operator, standard counterweight, ride control, cold start, roading fenders, Product Link™, manual diff lock/open axles (front and rear), power train guard, secondary steering and sound suppression.

† Illustration shown with Dimension charts.

***Rock bucket specifications are given on Bridgestone 26.5R25 VSDL L5 radial tires.

(§) Measured 100 mm (4") behind tip of cutting edge with bucket hinge pin as pivot point in accordance with ISO 14397-2:2007.

(With tire deflection) Full compliance to ISO 14397-1:2007 Sections 1 thru 6, which requires 2% verification between calculations and testing.

(No tire deflection) Compliance to ISO 14397-1:2007 Sections 1 thru 5.

Other buckets are available and offerings vary by region. Consult your local Cat dealer for further details.

966 Wheel Loader Specifications

Operating Specifications – Buckets (continued)

| Linkage | | High Lift Linkage | | | | | |
|--|-----------------|--------------------------|--------|-----------------------|--------|-----------------------|--------|
| Bucket Type | | General Purpose – Pin-On | | | | | |
| Edge Type | | Bolt-On Cutting Edges | Tips | Bolt-On Cutting Edges | Tips | Bolt-On Cutting Edges | Tips |
| Capacity – Rated | m ³ | 3.80 | 3.60 | 4.20 | 4.00 | 4.00 | 3.80 |
| | yd ³ | 5.00 | 4.75 | 5.50 | 5.25 | 5.25 | 5.00 |
| Capacity – Rated at 110% Fill Factor | m ³ | 4.20 | 4.00 | 4.60 | 4.40 | 4.40 | 4.20 |
| | yd ³ | 5.50 | 5.25 | 6.00 | 5.75 | 5.75 | 5.50 |
| Width | mm | 3220 | 3271 | 3220 | 3271 | 3220 | 3271 |
| | ft/in | 10'6" | 10'8" | 10'6" | 10'8" | 10'6" | 10'8" |
| 16 † Dump Clearance at Maximum Lift and 45° Discharge | mm | 3635 | 3483 | 3559 | 3405 | 3626 | 3473 |
| | ft/in | 11'11" | 11'5" | 11'8" | 11'2" | 11'10" | 11'4" |
| 17 † Reach at Maximum Lift and 45° Discharge | mm | 1265 | 1404 | 1325 | 1463 | 1272 | 1411 |
| | ft/in | 4'1" | 4'7" | 4'4" | 4'9" | 4'2" | 4'7" |
| Reach at Level Lift Arm and Bucket Level | mm | 3105 | 3310 | 3204 | 3409 | 3117 | 3321 |
| | ft/in | 10'2" | 10'10" | 10'6" | 11'2" | 10'2" | 10'10" |
| A † Digging Depth | mm | 89 | 59 | 89 | 59 | 89 | 59 |
| | in | 3.5" | 2.3" | 3.5" | 2.3" | 3.5" | 2.3" |
| 12 † Overall Length | mm | 9422 | 9644 | 9521 | 9743 | 9434 | 9655 |
| | ft/in | 30'11" | 31'8" | 31'3" | 32'0" | 31'0" | 31'9" |
| B † Overall Height with Bucket at Maximum Lift | mm | 6345 | 6345 | 6456 | 6456 | 6456 | 6456 |
| | ft/in | 20'10" | 20'10" | 21'3" | 21'3" | 21'3" | 21'3" |
| Loader Clearance Circle Radius with Bucket at Carry Position | mm | 7717 | 7811 | 7747 | 7842 | 7721 | 7815 |
| | ft/in | 25'4" | 25'8" | 25'5" | 25'9" | 25'4" | 25'8" |
| Static Tipping Load, Straight (With tire deflection) | kg | 17 143 | 17 144 | 16 953 | 16 997 | 17 126 | 17 165 |
| | lb | 37,784 | 37,786 | 37,364 | 37,462 | 37,747 | 37,833 |
| Static Tipping Load, Straight (No tire deflection) | kg | 18 183 | 18 169 | 17 998 | 18 040 | 18 175 | 18 211 |
| | lb | 40,077 | 40,044 | 39,668 | 39,760 | 40,059 | 40,138 |
| Static Tipping Load, Articulated (With tire deflection) | kg | 14 919 | 14 914 | 14 737 | 14 767 | 14 898 | 14 924 |
| | lb | 32,883 | 32,871 | 32,480 | 32,547 | 32,837 | 32,892 |
| Static Tipping Load, Articulated (No tire deflection) | kg | 15 984 | 15 963 | 15 807 | 15 833 | 15 971 | 15 993 |
| | lb | 35,229 | 35,183 | 34,838 | 34,897 | 35,202 | 35,250 |
| Breakout Force (§) | kN | 172 | 183 | 159 | 168 | 170 | 181 |
| | lbf | 38,838 | 41,181 | 35,899 | 37,894 | 38,411 | 40,704 |
| Operating Weight* | kg | 24 741 | 24 715 | 24 849 | 24 823 | 24 793 | 24 767 |
| | lb | 54,528 | 54,472 | 54,766 | 54,710 | 54,643 | 54,587 |

*Static tipping loads and operating weights shown are based on a machine configuration with Bridgestone 26.5R25 VJT L3 radial tires, full fluids, operator, standard counterweight, ride control, cold start, roading fenders, Product Link™, manual diff lock/open axles (front and rear), power train guard, secondary steering and sound suppression.

† Illustration shown with Dimension charts.

***Rock bucket specifications are given on Bridgestone 26.5R25 VSDL L5 radial tires.

(§) Measured 100 mm (4") behind tip of cutting edge with bucket hinge pin as pivot point in accordance with ISO 14397-2:2007.

(With tire deflection) Full compliance to ISO 14397-1:2007 Sections 1 thru 6, which requires 2% verification between calculations and testing.

(No tire deflection) Compliance to ISO 14397-1:2007 Sections 1 thru 5.

Other buckets are available and offerings vary by region. Consult your local Cat dealer for further details.

966 Wheel Loader Specifications

Operating Specifications – Buckets (continued)

| Linkage | | High Lift Linkage | | | | | |
|--|-----------------|--------------------------|--------------------|--------|-----------------------|--------------------|--------|
| Bucket Type | | General Purpose – Pin-On | | | | | |
| Edge Type | | Bolt-On Cutting Edges | Teeth and Segments | Tips | Bolt-On Cutting Edges | Teeth and Segments | Tips |
| Capacity – Rated | m ³ | 4.00 | 4.00 | 3.85 | 4.20 | 4.20 | 4.05 |
| | yd ³ | 5.25 | 5.25 | 5.00 | 5.50 | 5.50 | 5.25 |
| Capacity – Rated at 110% Fill Factor | m ³ | 4.40 | 4.40 | 4.20 | 4.60 | 4.60 | 4.50 |
| | yd ³ | 5.75 | 5.75 | 5.50 | 6.00 | 6.00 | 6.00 |
| Width | mm | 3220 | 3271 | 3271 | 3220 | 3271 | 3271 |
| | ft/in | 10'6" | 10'8" | 10'8" | 10'6" | 10'8" | 10'8" |
| 16† Dump Clearance at Maximum Lift and 45° Discharge | mm | 3612 | 3459 | 3459 | 3583 | 3430 | 3430 |
| | ft/in | 11'10" | 11'4" | 11'4" | 11'9" | 11'3" | 11'3" |
| 17† Reach at Maximum Lift and 45° Discharge | mm | 1283 | 1422 | 1422 | 1306 | 1444 | 1444 |
| | ft/in | 4'2" | 4'8" | 4'8" | 4'3" | 4'8" | 4'8" |
| Reach at Level Lift Arm and Bucket Level | mm | 3135 | 3340 | 3340 | 3173 | 3378 | 3378 |
| | ft/in | 10'3" | 10'11" | 10'11" | 10'4" | 11'0" | 11'0" |
| A† Digging Depth | mm | 89 | 89 | 59 | 89 | 89 | 59 |
| | in | 3.5" | 3.5" | 2.3" | 3.5" | 3.5" | 2.3" |
| 12† Overall Length | mm | 9452 | 9674 | 9674 | 9490 | 9712 | 9712 |
| | ft/in | 31'1" | 31'9" | 31'9" | 31'2" | 31'11" | 31'11" |
| B† Overall Height with Bucket at Maximum Lift | mm | 6398 | 6398 | 6398 | 6436 | 6436 | 6436 |
| | ft/in | 21'0" | 21'0" | 21'0" | 21'2" | 21'2" | 21'2" |
| Loader Clearance Circle Radius with Bucket at Carry Position | mm | 7733 | 7829 | 7829 | 7745 | 7841 | 7841 |
| | ft/in | 25'5" | 25'9" | 25'9" | 25'5" | 25'9" | 25'9" |
| Static Tipping Load, Straight (With tire deflection) | kg | 17 249 | 17 073 | 17 274 | 17 191 | 17 015 | 17 209 |
| | lb | 38,016 | 37,628 | 38,071 | 37,891 | 37,501 | 37,928 |
| Static Tipping Load, Straight (No tire deflection) | kg | 18 288 | 18 110 | 18 311 | 18 238 | 18 059 | 18 252 |
| | lb | 40,308 | 39,915 | 40,358 | 40,197 | 39,803 | 40,227 |
| Static Tipping Load, Articulated (With tire deflection) | kg | 15 030 | 14 854 | 15 044 | 14 974 | 14 797 | 14 980 |
| | lb | 33,127 | 32,738 | 33,157 | 33,003 | 32,613 | 33,016 |
| Static Tipping Load, Articulated (No tire deflection) | kg | 16 094 | 15 916 | 16 105 | 16 045 | 15 866 | 16 047 |
| | lb | 35,472 | 35,079 | 35,495 | 35,363 | 34,968 | 35,367 |
| Breakout Force (§) | kN | 169 | 166 | 179 | 164 | 161 | 173 |
| | lbf | 38,006 | 37,465 | 40,242 | 36,878 | 36,343 | 38,980 |
| Operating Weight* | kg | 24 600 | 24 738 | 24 574 | 24 641 | 24 779 | 24 615 |
| | lb | 54,217 | 54,521 | 54,161 | 54,308 | 54,612 | 54,252 |

*Static tipping loads and operating weights shown are based on a machine configuration with Bridgestone 26.5R25 VJT L3 radial tires, full fluids, operator, standard counterweight, ride control, cold start, roading fenders, Product Link™, manual diff lock/open axles (front and rear), power train guard, secondary steering and sound suppression.

† Illustration shown with Dimension charts.

***Rock bucket specifications are given on Bridgestone 26.5R25 VSDL L5 radial tires.

(§) Measured 100 mm (4") behind tip of cutting edge with bucket hinge pin as pivot point in accordance with ISO 14397-2:2007.

(With tire deflection) Full compliance to ISO 14397-1:2007 Sections 1 thru 6, which requires 2% verification between calculations and testing.

(No tire deflection) Compliance to ISO 14397-1:2007 Sections 1 thru 5.

Other buckets are available and offerings vary by region. Consult your local Cat dealer for further details.

966 Wheel Loader Specifications

Operating Specifications – Buckets (continued)

| Linkage | | High Lift Linkage | | | | | |
|--|-----------------|------------------------------------|--------------------|--------|-----------------------|--------------------|--------|
| Bucket Type | | General Purpose – Hook-On – Fusion | | | | | |
| Edge Type | | Bolt-On Cutting Edges | Teeth and Segments | Tips | Bolt-On Cutting Edges | Teeth and Segments | Tips |
| Capacity – Rated | m ³ | 4.20 | 4.20 | 4.00 | 4.80 | 4.80 | 4.60 |
| | yd ³ | 5.50 | 5.50 | 5.25 | 6.25 | 6.25 | 6.00 |
| Capacity – Rated at 110% Fill Factor | m ³ | 4.60 | 4.60 | 4.40 | 5.30 | 5.30 | 5.10 |
| | yd ³ | 6.00 | 6.00 | 5.75 | 7.00 | 7.00 | 6.75 |
| Width | mm | 3220 | 3307 | 3307 | 3224 | 3311 | 3311 |
| | ft/in | 10'6" | 10'10" | 10'10" | 10'6" | 10'10" | 10'10" |
| 16† Dump Clearance at Maximum Lift and 45° Discharge | mm | 3633 | 3481 | 3481 | 3544 | 3389 | 3389 |
| | ft/in | 11'11" | 11'5" | 11'5" | 11'7" | 11'1" | 11'1" |
| 17† Reach at Maximum Lift and 45° Discharge | mm | 1273 | 1412 | 1412 | 1343 | 1479 | 1479 |
| | ft/in | 4'2" | 4'7" | 4'7" | 4'4" | 4'10" | 4'10" |
| Reach at Level Lift Arm and Bucket Level | mm | 3113 | 3318 | 3318 | 3229 | 3434 | 3434 |
| | ft/in | 10'2" | 10'10" | 10'10" | 10'7" | 11'3" | 11'3" |
| A† Digging Depth | mm | 81 | 81 | 51 | 81 | 81 | 51 |
| | in | 3.2" | 3.2" | 2.0" | 3.2" | 3.2" | 2.0" |
| 12† Overall Length | mm | 9425 | 9646 | 9646 | 9541 | 9762 | 9762 |
| | ft/in | 31'0" | 31'8" | 31'8" | 31'4" | 32'1" | 32'1" |
| B† Overall Height with Bucket at Maximum Lift | mm | 6432 | 6432 | 6432 | 6553 | 6553 | 6553 |
| | ft/in | 21'2" | 21'2" | 21'2" | 21'6" | 21'6" | 21'6" |
| Loader Clearance Circle Radius with Bucket at Carry Position | mm | 7731 | 7845 | 7845 | 7770 | 7885 | 7885 |
| | ft/in | 25'5" | 25'9" | 25'9" | 25'6" | 25'11" | 25'11" |
| Static Tipping Load, Straight (With tire deflection) | kg | 17 033 | 16 856 | 17 181 | 16 830 | 16 651 | 16 970 |
| | lb | 37,542 | 37,152 | 37,867 | 37,094 | 36,700 | 37,403 |
| Static Tipping Load, Straight (No tire deflection) | kg | 18 115 | 17 935 | 18 270 | 17 929 | 17 747 | 18 077 |
| | lb | 39,925 | 39,530 | 40,269 | 39,516 | 39,116 | 39,843 |
| Static Tipping Load, Articulated (With tire deflection) | kg | 14 790 | 14 614 | 14 923 | 14 592 | 14 413 | 14 718 |
| | lb | 32,599 | 32,209 | 32,891 | 32,160 | 31,766 | 32,439 |
| Static Tipping Load, Articulated (No tire deflection) | kg | 15 895 | 15 715 | 16 036 | 15 713 | 15 531 | 15 847 |
| | lb | 35,033 | 34,638 | 35,343 | 34,632 | 34,232 | 34,928 |
| Breakout Force (§) | kN | 171 | 169 | 182 | 156 | 154 | 165 |
| | lbf | 38,640 | 38,096 | 40,956 | 35,250 | 34,724 | 37,172 |
| Operating Weight* | kg | 25 035 | 25 173 | 25 010 | 25 171 | 25 309 | 25 146 |
| | lb | 55,177 | 55,481 | 55,122 | 55,477 | 55,781 | 55,421 |

*Static tipping loads and operating weights shown are based on a machine configuration with Bridgestone 26.5R25 VJT L3 radial tires, full fluids, operator, standard counterweight, ride control, cold start, roading fenders, Product Link™, manual diff lock/open axles (front and rear), power train guard, secondary steering and sound suppression.

† Illustration shown with Dimension charts.

***Rock bucket specifications are given on Bridgestone 26.5R25 VSDL L5 radial tires.

(§) Measured 100 mm (4") behind tip of cutting edge with bucket hinge pin as pivot point in accordance with ISO 14397-2:2007.

(With tire deflection) Full compliance to ISO 14397-1:2007 Sections 1 thru 6, which requires 2% verification between calculations and testing.

(No tire deflection) Compliance to ISO 14397-1:2007 Sections 1 thru 5.

Other buckets are available and offerings vary by region. Consult your local Cat dealer for further details.

966 Wheel Loader Specifications

Operating Specifications – Buckets (continued)

| Linkage | | High Lift Linkage | | | | | |
|--|-----------------|------------------------------------|--------------------|--------|-----------------------|--------------------|--------|
| Bucket Type | | General Purpose – Hook-On – Fusion | | | | | |
| Edge Type | | Bolt-On Cutting Edges | Teeth and Segments | Tips | Bolt-On Cutting Edges | Teeth and Segments | Tips |
| Capacity – Rated | m ³ | 4.20 | 4.20 | 4.00 | 3.80 | 3.80 | 3.60 |
| | yd ³ | 5.50 | 5.50 | 5.25 | 5.00 | 5.00 | 4.75 |
| Capacity – Rated at 110% Fill Factor | m ³ | 4.60 | 4.60 | 4.40 | 4.20 | 4.20 | 4.00 |
| | yd ³ | 6.00 | 6.00 | 5.75 | 5.50 | 5.50 | 5.25 |
| Width | mm | 3220 | 3271 | 3271 | 3220 | 3271 | 3271 |
| | ft/in | 10'6" | 10'8" | 10'8" | 10'6" | 10'8" | 10'8" |
| 16 † Dump Clearance at Maximum Lift and 45° Discharge | mm | 3528 | 3374 | 3374 | 3606 | 3454 | 3454 |
| | ft/in | 11'6" | 11'0" | 11'0" | 11'10" | 11'4" | 11'4" |
| 17 † Reach at Maximum Lift and 45° Discharge | mm | 1371 | 1508 | 1508 | 1299 | 1439 | 1439 |
| | ft/in | 4'5" | 4'11" | 4'11" | 4'3" | 4'8" | 4'8" |
| Reach at Level Lift Arm and Bucket Level | mm | 3259 | 3464 | 3464 | 3149 | 3354 | 3354 |
| | ft/in | 10'8" | 11'4" | 11'4" | 10'4" | 11'0" | 11'0" |
| A † Digging Depth | mm | 81 | 81 | 51 | 89 | 89 | 59 |
| | in | 3.2" | 3.2" | 2.0" | 3.5" | 3.5" | 2.3" |
| 12 † Overall Length | mm | 9571 | 9792 | 9792 | 9467 | 9688 | 9688 |
| | ft/in | 31'5" | 32'2" | 32'2" | 31'1" | 31'10" | 31'10" |
| B † Overall Height with Bucket at Maximum Lift | mm | 6528 | 6528 | 6528 | 6371 | 6371 | 6371 |
| | ft/in | 21'5" | 21'5" | 21'5" | 20'11" | 20'11" | 20'11" |
| Loader Clearance Circle Radius with Bucket at Carry Position | mm | 7778 | 7877 | 7877 | 7746 | 7845 | 7845 |
| | ft/in | 25'7" | 25'11" | 25'11" | 25'5" | 25'9" | 25'9" |
| Static Tipping Load, Straight (With tire deflection) | kg | 16 368 | 16 192 | 16 502 | 16 588 | 16 413 | 16 728 |
| | lb | 36,075 | 35,689 | 36,371 | 36,561 | 36,176 | 36,869 |
| Static Tipping Load, Straight (No tire deflection) | kg | 17 395 | 17 217 | 17 535 | 17 609 | 17 432 | 17 756 |
| | lb | 38,339 | 37,947 | 38,648 | 38,812 | 38,422 | 39,134 |
| Static Tipping Load, Articulated (With tire deflection) | kg | 14 184 | 14 008 | 14 304 | 14 388 | 14 213 | 14 514 |
| | lb | 31,261 | 30,874 | 31,527 | 31,712 | 31,326 | 31,989 |
| Static Tipping Load, Articulated (No tire deflection) | kg | 15 235 | 15 057 | 15 362 | 15 434 | 15 257 | 15 566 |
| | lb | 33,579 | 33,187 | 33,859 | 34,017 | 33,627 | 34,308 |
| Breakout Force (§) | kN | 153 | 151 | 161 | 166 | 164 | 176 |
| | lbf | 34,463 | 33,942 | 36,299 | 37,426 | 36,887 | 39,600 |
| Operating Weight* | kg | 25 219 | 25 357 | 25 194 | 25 156 | 25 294 | 25 130 |
| | lb | 55,582 | 55,886 | 55,526 | 55,443 | 55,746 | 55,387 |

*Static tipping loads and operating weights shown are based on a machine configuration with Bridgestone 26.5R25 VJT L3 radial tires, full fluids, operator, standard counterweight, ride control, cold start, roading fenders, Product Link™, manual diff lock/open axles (front and rear), power train guard, secondary steering and sound suppression.

† Illustration shown with Dimension charts.

***Rock bucket specifications are given on Bridgestone 26.5R25 VSDL L5 radial tires.

(§) Measured 100 mm (4") behind tip of cutting edge with bucket hinge pin as pivot point in accordance with ISO 14397-2:2007.

(With tire deflection) Full compliance to ISO 14397-1:2007 Sections 1 thru 6, which requires 2% verification between calculations and testing.

(No tire deflection) Compliance to ISO 14397-1:2007 Sections 1 thru 5.

Other buckets are available and offerings vary by region. Consult your local Cat dealer for further details.

966 Wheel Loader Specifications

Operating Specifications – Buckets (continued)

| Linkage | | High Lift Linkage | | | | | |
|--|-----------------|------------------------------------|--------------------|--------|-----------------------|--------------------|--------|
| Bucket Type | | General Purpose – Hook-On – Fusion | | | | | |
| Edge Type | | Bolt-On Cutting Edges | Teeth and Segments | Tips | Bolt-On Cutting Edges | Teeth and Segments | Tips |
| Capacity – Rated | m ³ | 4.60 | 4.60 | 4.40 | 4.00 | 4.00 | 3.80 |
| | yd ³ | 6.00 | 6.00 | 5.75 | 5.25 | 5.25 | 5.00 |
| Capacity – Rated at 110% Fill Factor | m ³ | 5.10 | 5.10 | 4.80 | 4.40 | 4.40 | 4.20 |
| | yd ³ | 6.75 | 6.75 | 6.25 | 5.75 | 5.75 | 5.50 |
| Width | mm | 3220 | 3271 | 3271 | 3447 | 3521 | 3521 |
| | ft/in | 10'6" | 10'8" | 10'8" | 11'3" | 11'6" | 11'6" |
| 16† Dump Clearance at Maximum Lift and 45° Discharge | mm | 3515 | 3361 | 3361 | 3619 | 3451 | 3451 |
| | ft/in | 11'6" | 11'0" | 11'0" | 11'10" | 11'3" | 11'3" |
| 17† Reach at Maximum Lift and 45° Discharge | mm | 1373 | 1511 | 1511 | 1257 | 1392 | 1392 |
| | ft/in | 4'6" | 4'11" | 4'11" | 4'1" | 4'6" | 4'6" |
| Reach at Level Lift Arm and Bucket Level | mm | 3269 | 3474 | 3474 | 3113 | 3325 | 3325 |
| | ft/in | 10'8" | 11'4" | 11'4" | 10'2" | 10'10" | 10'10" |
| A† Digging Depth | mm | 88 | 88 | 58 | 91 | 81 | 51 |
| | in | 3.4" | 3.4" | 2.2" | 3.6" | 3.2" | 2.0" |
| 12† Overall Length | mm | 9586 | 9807 | 9807 | 9431 | 9668 | 9668 |
| | ft/in | 31'6" | 32'3" | 32'3" | 31'0" | 31'9" | 31'9" |
| B† Overall Height with Bucket at Maximum Lift | mm | 6606 | 6606 | 6606 | 6257 | 6257 | 6257 |
| | ft/in | 21'9" | 21'9" | 21'9" | 20'7" | 20'7" | 20'7" |
| Loader Clearance Circle Radius with Bucket at Carry Position | mm | 7784 | 7883 | 7883 | 7837 | 7952 | 7952 |
| | ft/in | 25'7" | 25'11" | 25'11" | 25'9" | 26'2" | 26'2" |
| Static Tipping Load, Straight (With tire deflection) | kg | 16 472 | 16 294 | 16 602 | 15 862 | 15 673 | 16 012 |
| | lb | 36,306 | 35,913 | 36,592 | 34,960 | 34,545 | 35,292 |
| Static Tipping Load, Straight (No tire deflection) | kg | 17 535 | 17 354 | 17 673 | 16 860 | 16 668 | 17 017 |
| | lb | 38,647 | 38,249 | 38,952 | 37,161 | 36,738 | 37,507 |
| Static Tipping Load, Articulated (With tire deflection) | kg | 14 260 | 14 081 | 14 377 | 13 683 | 13 494 | 13 817 |
| | lb | 31,429 | 31,036 | 31,687 | 30,158 | 29,742 | 30,453 |
| Static Tipping Load, Articulated (No tire deflection) | kg | 15 346 | 15 165 | 15 471 | 14 707 | 14 515 | 14 847 |
| | lb | 33,822 | 33,424 | 34,098 | 32,415 | 31,992 | 32,724 |
| Breakout Force (§) | kN | 151 | 149 | 159 | 168 | 166 | 179 |
| | lbf | 34,066 | 33,546 | 35,865 | 37,749 | 37,512 | 40,231 |
| Operating Weight* | kg | 25 333 | 25 471 | 25 308 | 25 647 | 25 741 | 25 566 |
| | lb | 55,834 | 56,138 | 55,778 | 56,526 | 56,732 | 56,347 |

*Static tipping loads and operating weights shown are based on a machine configuration with Bridgestone 26.5R25 VJT L3 radial tires, full fluids, operator, standard counterweight, ride control, cold start, roading fenders, Product Link™, manual diff lock/open axles (front and rear), power train guard, secondary steering and sound suppression.

† Illustration shown with Dimension charts.

***Rock bucket specifications are given on Bridgestone 26.5R25 VSDL L5 radial tires.

(§) Measured 100 mm (4") behind tip of cutting edge with bucket hinge pin as pivot point in accordance with ISO 14397-2:2007.

(With tire deflection) Full compliance to ISO 14397-1:2007 Sections 1 thru 6, which requires 2% verification between calculations and testing.

(No tire deflection) Compliance to ISO 14397-1:2007 Sections 1 thru 5.

Other buckets are available and offerings vary by region. Consult your local Cat dealer for further details.

966 Wheel Loader Specifications

Operating Specifications – Buckets (continued)

| Linkage | | High Lift Linkage | | | | |
|--|-----------------|------------------------------------|--------------------|--------|---------------------------------------|-----------------------|
| Bucket Type | | General Purpose – Hook-On – Fusion | | | General Purpose – Hook-On – VCE Large | |
| Edge Type | | Bolt-On Cutting Edges | Teeth and Segments | Tips | Bolt-On Cutting Edges | Bolt-On Cutting Edges |
| Capacity – Rated | m ³ | 4.00 | 4.00 | 3.80 | 4.00 | 4.40 |
| | yd ³ | 5.25 | 5.25 | 5.00 | 5.25 | 5.75 |
| Capacity – Rated at 110% Fill Factor | m ³ | 4.40 | 4.40 | 4.20 | 4.40 | 4.80 |
| | yd ³ | 5.75 | 5.75 | 5.50 | 5.75 | 6.25 |
| Width | mm | 3201 | 3201 | 3201 | 3220 | 3220 |
| | ft/in | 10'6" | 10'6" | 10'6" | 10'6" | 10'6" |
| 16† Dump Clearance at Maximum Lift and 45° Discharge | mm | 3594 | 3439 | 3439 | 3473 | 3409 |
| | ft/in | 11'9" | 11'3" | 11'3" | 11'4" | 11'2" |
| 17† Reach at Maximum Lift and 45° Discharge | mm | 1302 | 1444 | 1444 | 1459 | 1506 |
| | ft/in | 4'3" | 4'8" | 4'8" | 4'9" | 4'11" |
| Reach at Level Lift Arm and Bucket Level | mm | 3161 | 3369 | 3369 | 3358 | 3438 |
| | ft/in | 10'4" | 11'0" | 11'0" | 11'0" | 11'3" |
| A† Digging Depth | mm | 59 | 59 | 59 | 83 | 83 |
| | in | 2.3" | 2.3" | 2.3" | 3.2" | 3.2" |
| 12† Overall Length | mm | 9481 | 9706 | 9706 | 9671 | 9751 |
| | ft/in | 31'2" | 31'11" | 31'11" | 31'9" | 32'0" |
| B† Overall Height with Bucket at Maximum Lift | mm | 6488 | 6488 | 6488 | 6546 | 6664 |
| | ft/in | 21'4" | 21'4" | 21'4" | 21'6" | 21'11" |
| Loader Clearance Circle Radius with Bucket at Carry Position | mm | 7743 | 7820 | 7820 | 7797 | 7823 |
| | ft/in | 25'5" | 25'8" | 25'8" | 25'7" | 25'8" |
| Static Tipping Load, Straight (With tire deflection) | kg | 16 552 | 16 346 | 16 675 | 15 641 | 15 525 |
| | lb | 36,481 | 36,026 | 36,752 | 34,473 | 34,217 |
| Static Tipping Load, Straight (No tire deflection) | kg | 17 586 | 17 377 | 17 718 | 16 644 | 16 544 |
| | lb | 38,761 | 38,300 | 39,050 | 36,684 | 36,464 |
| Static Tipping Load, Articulated (With tire deflection) | kg | 14 350 | 14 143 | 14 457 | 13 520 | 13 402 |
| | lb | 31,628 | 31,173 | 31,864 | 29,798 | 29,540 |
| Static Tipping Load, Articulated (No tire deflection) | kg | 15 409 | 15 200 | 15 524 | 14 548 | 14 447 |
| | lb | 33,962 | 33,500 | 34,216 | 32,065 | 31,842 |
| Breakout Force (§) | kN | 174 | 171 | 173 | 144 | 136 |
| | lbf | 39,256 | 38,619 | 38,984 | 32,374 | 30,587 |
| Operating Weight* | kg | 25 203 | 25 365 | 25 199 | 25 424 | 25 530 |
| | lb | 55,548 | 55,905 | 55,539 | 56,033 | 56,267 |

*Static tipping loads and operating weights shown are based on a machine configuration with Bridgestone 26.5R25 VJT L3 radial tires, full fluids, operator, standard counterweight, ride control, cold start, roading fenders, Product Link™, manual diff lock/open axles (front and rear), power train guard, secondary steering and sound suppression.

† Illustration shown with Dimension charts.

***Rock bucket specifications are given on Bridgestone 26.5R25 VSDL L5 radial tires.

(§) Measured 100 mm (4") behind tip of cutting edge with bucket hinge pin as pivot point in accordance with ISO 14397-2:2007.

(With tire deflection) Full compliance to ISO 14397-1:2007 Sections 1 thru 6, which requires 2% verification between calculations and testing.

(No tire deflection) Compliance to ISO 14397-1:2007 Sections 1 thru 5.

Other buckets are available and offerings vary by region. Consult your local Cat dealer for further details.

Operating Specifications – Buckets (continued)

| Linkage | | High Lift Linkage | | | | |
|--|-----------------|----------------------------|-----------------------|-----------------------|--------------------|--------|
| Bucket Type | | Material Handling – Pin-On | | | | |
| Edge Type | | Bolt-On Cutting Edges | Bolt-On Cutting Edges | Bolt-On Cutting Edges | Teeth and Segments | Tips |
| Capacity – Rated | m ³ | 9.90 | 4.60 | 4.60 | 4.60 | 4.40 |
| | yd ³ | 13.00 | 6.00 | 6.00 | 6.00 | 5.75 |
| Capacity – Rated at 110% Fill Factor | m ³ | 10.90 | 5.10 | 5.10 | 5.10 | 4.90 |
| | yd ³ | 14.25 | 6.75 | 6.75 | 6.75 | 6.50 |
| Width | mm | 3943 | 3220 | 3220 | 3271 | 3271 |
| | ft/in | 12'11" | 10'6" | 10'6" | 10'8" | 10'8" |
| 16 † Dump Clearance at Maximum Lift and 45° Discharge | mm | 3157 | 3461 | 3461 | 3298 | 3298 |
| | ft/in | 10'4" | 11'4" | 11'4" | 10'9" | 10'9" |
| 17 † Reach at Maximum Lift and 45° Discharge | mm | 1548 | 1274 | 1274 | 1401 | 1401 |
| | ft/in | 5'0" | 4'2" | 4'2" | 4'7" | 4'7" |
| Reach at Level Lift Arm and Bucket Level | mm | 3663 | 3255 | 3255 | 3460 | 3460 |
| | ft/in | 12'0" | 10'8" | 10'8" | 11'4" | 11'4" |
| A † Digging Depth | mm | 110 | 89 | 89 | 89 | 59 |
| | in | 4.3" | 3.5" | 3.5" | 3.5" | 2.3" |
| 12 † Overall Length | mm | 9994 | 9572 | 9572 | 9794 | 9794 |
| | ft/in | 32'10" | 31'5" | 31'5" | 32'2" | 32'2" |
| B † Overall Height with Bucket at Maximum Lift | mm | 7030 | 6542 | 6550 | 6550 | 6550 |
| | ft/in | 23'1" | 21'6" | 21'6" | 21'6" | 21'6" |
| Loader Clearance Circle Radius with Bucket at Carry Position | mm | 8213 | 7761 | 7761 | 7856 | 7856 |
| | ft/in | 27'0" | 25'6" | 25'6" | 25'10" | 25'10" |
| Static Tipping Load, Straight (With tire deflection) | kg | 16 950 | 16 673 | 16 760 | 16 583 | 16 885 |
| | lb | 37,359 | 36,748 | 36,940 | 36,550 | 37,214 |
| Static Tipping Load, Straight (No tire deflection) | kg | 18 149 | 17 704 | 17 802 | 17 623 | 17 932 |
| | lb | 40,001 | 39,019 | 39,236 | 38,841 | 39,522 |
| Static Tipping Load, Articulated (With tire deflection) | kg | 14 708 | 14 483 | 14 559 | 14 382 | 14 670 |
| | lb | 32,417 | 31,920 | 32,089 | 31,698 | 32,333 |
| Static Tipping Load, Articulated (No tire deflection) | kg | 15 927 | 15 538 | 15 626 | 15 446 | 15 742 |
| | lb | 35,104 | 34,246 | 34,439 | 34,044 | 34,695 |
| Breakout Force (§) | kN | 116 | 153 | 153 | 151 | 161 |
| | lbf | 26,213 | 34,513 | 34,502 | 33,979 | 36,344 |
| Operating Weight* | kg | 24 922 | 24 945 | 24 934 | 25 072 | 24 909 |
| | lb | 54,928 | 54,977 | 54,954 | 55,258 | 54,898 |

*Static tipping loads and operating weights shown are based on a machine configuration with Bridgestone 26.5R25 VJT L3 radial tires, full fluids, operator, standard counterweight, ride control, cold start, roading fenders, Product Link™, manual diff lock/open axles (front and rear), power train guard, secondary steering and sound suppression.

† Illustration shown with Dimension charts.

***Rock bucket specifications are given on Bridgestone 26.5R25 VSDL L5 radial tires.

(§) Measured 100 mm (4") behind tip of cutting edge with bucket hinge pin as pivot point in accordance with ISO 14397-2:2007.

(With tire deflection) Full compliance to ISO 14397-1:2007 Sections 1 thru 6, which requires 2% verification between calculations and testing.

(No tire deflection) Compliance to ISO 14397-1:2007 Sections 1 thru 5.

Other buckets are available and offerings vary by region. Consult your local Cat dealer for further details.

966 Wheel Loader Specifications

Operating Specifications – Buckets (continued)

| Linkage | | High Lift Linkage | | | | | | |
|--|-----------------|----------------------------|--------------------|--------|-----------------------|-----------------------|--------------------|--------|
| Bucket Type | | Material Handling – Pin-On | | | | | | |
| Edge Type | | Bolt-On Cutting Edges | Teeth and Segments | Tips | Bolt-On Cutting Edges | Bolt-On Cutting Edges | Teeth and Segments | Tips |
| Capacity – Rated | m ³ | 4.20 | 4.20 | 4.00 | 4.80 | 4.80 | 4.80 | 4.60 |
| | yd ³ | 5.50 | 5.50 | 5.25 | 6.25 | 6.25 | 6.25 | 6.00 |
| Capacity – Rated at 110% Fill Factor | m ³ | 4.60 | 4.60 | 4.40 | 5.30 | 5.30 | 5.30 | 5.10 |
| | yd ³ | 6.00 | 6.00 | 5.75 | 7.00 | 7.00 | 7.00 | 6.75 |
| Width | mm | 3220 | 3271 | 3271 | 3220 | 3220 | 3271 | 3271 |
| | ft/in | 10'6" | 10'8" | 10'8" | 10'6" | 10'6" | 10'8" | 10'8" |
| 16† Dump Clearance at Maximum Lift and 45° Discharge | mm | 3518 | 3355 | 3355 | 3433 | 3433 | 3270 | 3270 |
| | ft/in | 11'6" | 11'0" | 11'0" | 11'3" | 11'3" | 10'8" | 10'8" |
| 17† Reach at Maximum Lift and 45° Discharge | mm | 1218 | 1345 | 1345 | 1303 | 1303 | 1430 | 1430 |
| | ft/in | 3'11" | 4'4" | 4'4" | 4'3" | 4'3" | 4'8" | 4'8" |
| Reach at Level Lift Arm and Bucket Level | mm | 3175 | 3380 | 3380 | 3295 | 3295 | 3500 | 3500 |
| | ft/in | 10'5" | 11'1" | 11'1" | 10'9" | 10'9" | 11'5" | 11'5" |
| A† Digging Depth | mm | 89 | 89 | 59 | 89 | 89 | 89 | 59 |
| | in | 3.5" | 3.5" | 2.3" | 3.5" | 3.5" | 3.5" | 2.3" |
| 12† Overall Length | mm | 9492 | 9714 | 9714 | 9612 | 9612 | 9834 | 9834 |
| | ft/in | 31'2" | 31'11" | 31'11" | 31'7" | 31'7" | 32'4" | 32'4" |
| B† Overall Height with Bucket at Maximum Lift | mm | 6469 | 6469 | 6469 | 6584 | 6591 | 6591 | 6591 |
| | ft/in | 21'3" | 21'3" | 21'3" | 21'8" | 21'8" | 21'8" | 21'8" |
| Loader Clearance Circle Radius with Bucket at Carry Position | mm | 7737 | 7831 | 7831 | 7773 | 7773 | 7868 | 7868 |
| | ft/in | 25'5" | 25'9" | 25'9" | 25'6" | 25'6" | 25'10" | 25'10" |
| Static Tipping Load, Straight (With tire deflection) | kg | 16 878 | 16 703 | 17 005 | 16 609 | 16 699 | 16 521 | 16 822 |
| | lb | 37,200 | 36,813 | 37,480 | 36,606 | 36,806 | 36,414 | 37,077 |
| Static Tipping Load, Straight (No tire deflection) | kg | 17 906 | 17 728 | 18 038 | 17 646 | 17 748 | 17 568 | 17 877 |
| | lb | 39,465 | 39,074 | 39,757 | 38,892 | 39,118 | 38,720 | 39,401 |
| Static Tipping Load, Articulated (With tire deflection) | kg | 14 676 | 14 500 | 14 789 | 14 420 | 14 499 | 14 321 | 14 609 |
| | lb | 32,346 | 31,959 | 32,596 | 31,781 | 31,956 | 31,564 | 32,198 |
| Static Tipping Load, Articulated (No tire deflection) | kg | 15 729 | 15 551 | 15 847 | 15 481 | 15 572 | 15 392 | 15 687 |
| | lb | 34,666 | 34,275 | 34,928 | 34,121 | 34,322 | 33,924 | 34,575 |
| Breakout Force (§) | kN | 163 | 160 | 172 | 149 | 149 | 146 | 156 |
| | lbf | 36,686 | 36,151 | 38,773 | 33,501 | 33,489 | 32,973 | 35,224 |
| Operating Weight* | kg | 24 846 | 24 984 | 24 821 | 24 991 | 24 980 | 25 118 | 24 955 |
| | lb | 54,760 | 55,064 | 54,704 | 55,079 | 55,055 | 55,359 | 55,000 |

*Static tipping loads and operating weights shown are based on a machine configuration with Bridgestone 26.5R25 VJT L3 radial tires, full fluids, operator, standard counterweight, ride control, cold start, roading fenders, Product Link™, manual diff lock/open axles (front and rear), power train guard, secondary steering and sound suppression.

† Illustration shown with Dimension charts.

***Rock bucket specifications are given on Bridgestone 26.5R25 VSDL L5 radial tires.

(§) Measured 100 mm (4") behind tip of cutting edge with bucket hinge pin as pivot point in accordance with ISO 14397-2:2007.

(With tire deflection) Full compliance to ISO 14397-1:2007 Sections 1 thru 6, which requires 2% verification between calculations and testing.

(No tire deflection) Compliance to ISO 14397-1:2007 Sections 1 thru 5.

Other buckets are available and offerings vary by region. Consult your local Cat dealer for further details.

966 Wheel Loader Specifications

Operating Specifications – Buckets (continued)

| Linkage | | High Lift Linkage | | | | | |
|--|-----------------|----------------------------|--------------------|--------|-----------------------|--------------------|--------|
| Bucket Type | | Material Handling – Pin-On | | | | | |
| Edge Type | | Bolt-On Cutting Edges | Teeth and Segments | Tips | Bolt-On Cutting Edges | Teeth and Segments | Tips |
| Capacity – Rated | m ³ | 4.20 | 4.20 | 4.00 | 4.60 | 4.60 | 4.40 |
| | yd ³ | 5.50 | 5.50 | 5.25 | 6.00 | 6.00 | 5.75 |
| Capacity – Rated at 110% Fill Factor | m ³ | 4.60 | 4.60 | 4.40 | 5.10 | 5.10 | 4.90 |
| | yd ³ | 6.00 | 6.00 | 5.75 | 6.75 | 6.75 | 6.50 |
| Width | mm | 3220 | 3271 | 3271 | 3220 | 3271 | 3271 |
| | ft/in | 10'6" | 10'8" | 10'8" | 10'6" | 10'8" | 10'8" |
| 16† Dump Clearance at Maximum Lift and 45° Discharge | mm | 3518 | 3355 | 3355 | 3461 | 3298 | 3298 |
| | ft/in | 11'6" | 11'0" | 11'0" | 11'4" | 10'9" | 10'9" |
| 17† Reach at Maximum Lift and 45° Discharge | mm | 1218 | 1345 | 1345 | 1274 | 1401 | 1401 |
| | ft/in | 3'11" | 4'4" | 4'4" | 4'2" | 4'7" | 4'7" |
| Reach at Level Lift Arm and Bucket Level | mm | 3175 | 3380 | 3380 | 3255 | 3460 | 3460 |
| | ft/in | 10'5" | 11'1" | 11'1" | 10'8" | 11'4" | 11'4" |
| A† Digging Depth | mm | 89 | 89 | 59 | 89 | 89 | 59 |
| | in | 3.5" | 3.5" | 2.3" | 3.5" | 3.5" | 2.3" |
| 12† Overall Length | mm | 9492 | 9714 | 9714 | 9572 | 9794 | 9794 |
| | ft/in | 31'2" | 31'11" | 31'11" | 31'5" | 32'2" | 32'2" |
| B† Overall Height with Bucket at Maximum Lift | mm | 6469 | 6469 | 6469 | 6550 | 6550 | 6550 |
| | ft/in | 21'3" | 21'3" | 21'3" | 21'6" | 21'6" | 21'6" |
| Loader Clearance Circle Radius with Bucket at Carry Position | mm | 7737 | 7831 | 7831 | 7761 | 7856 | 7856 |
| | ft/in | 25'5" | 25'9" | 25'9" | 25'6" | 25'10" | 25'10" |
| Static Tipping Load, Straight (With tire deflection) | kg | 16 762 | 16 586 | 16 870 | 16 612 | 16 435 | 16 717 |
| | lb | 36,943 | 36,556 | 37,183 | 36,613 | 36,223 | 36,845 |
| Static Tipping Load, Straight (No tire deflection) | kg | 17 788 | 17 611 | 17 901 | 17 652 | 17 473 | 17 761 |
| | lb | 39,206 | 38,814 | 39,454 | 38,905 | 38,510 | 39,146 |
| Static Tipping Load, Articulated (With tire deflection) | kg | 14 559 | 14 384 | 14 654 | 14 411 | 14 233 | 14 503 |
| | lb | 32,089 | 31,702 | 32,299 | 31,762 | 31,371 | 31,964 |
| Static Tipping Load, Articulated (No tire deflection) | kg | 15 611 | 15 433 | 15 710 | 15 475 | 15 296 | 15 571 |
| | lb | 34,407 | 34,016 | 34,625 | 34,108 | 33,713 | 34,319 |
| Breakout Force (§) | kN | 162 | 160 | 172 | 152 | 150 | 161 |
| | lbf | 36,581 | 36,047 | 38,662 | 34,361 | 33,839 | 36,196 |
| Operating Weight* | kg | 24 965 | 25 102 | 24 939 | 25 080 | 25 217 | 25 054 |
| | lb | 55,021 | 55,325 | 54,965 | 55,275 | 55,579 | 55,219 |

*Static tipping loads and operating weights shown are based on a machine configuration with Bridgestone 26.5R25 VJT L3 radial tires, full fluids, operator, standard counterweight, ride control, cold start, roading fenders, Product Link™, manual diff lock/open axles (front and rear), power train guard, secondary steering and sound suppression.

† Illustration shown with Dimension charts.

***Rock bucket specifications are given on Bridgestone 26.5R25 VSDL L5 radial tires.

(§) Measured 100 mm (4") behind tip of cutting edge with bucket hinge pin as pivot point in accordance with ISO 14397-2:2007.

(With tire deflection) Full compliance to ISO 14397-1:2007 Sections 1 thru 6, which requires 2% verification between calculations and testing.

(No tire deflection) Compliance to ISO 14397-1:2007 Sections 1 thru 5.

Other buckets are available and offerings vary by region. Consult your local Cat dealer for further details.

966 Wheel Loader Specifications

Operating Specifications – Buckets (continued)

| Linkage | | High Lift Linkage | | | | | | |
|--|-----------------|----------------------------|-----------------------|--------------------|--------|-----------------------|--------------------|--------|
| Bucket Type | | Material Handling – Pin-On | | | | | | |
| Edge Type | | Bolt-On Cutting Edges | Bolt-On Cutting Edges | Teeth and Segments | Tips | Bolt-On Cutting Edges | Teeth and Segments | Tips |
| Capacity – Rated | m ³ | 4.20 | 4.40 | 4.40 | 4.20 | 4.40 | 4.40 | 4.20 |
| | yd ³ | 5.50 | 5.75 | 5.75 | 5.50 | 5.75 | 5.75 | 5.50 |
| Capacity – Rated at 110% Fill Factor | m ³ | 4.60 | 4.80 | 4.80 | 4.60 | 4.80 | 4.90 | 4.70 |
| | yd ³ | 6.00 | 6.25 | 6.25 | 6.00 | 6.25 | 6.50 | 6.25 |
| Width | mm | 2995 | 3220 | 3271 | 3271 | 3220 | 3300 | 3300 |
| | ft/in | 9'9" | 10'6" | 10'8" | 10'8" | 10'6" | 10'9" | 10'9" |
| 16 † Dump Clearance at Maximum Lift and 45° Discharge | mm | 3538 | 3489 | 3327 | 3327 | 3491 | 3328 | 3328 |
| | ft/in | 11'7" | 11'5" | 10'10" | 10'10" | 11'5" | 10'11" | 10'11" |
| 17 † Reach at Maximum Lift and 45° Discharge | mm | 1379 | 1246 | 1373 | 1373 | 1245 | 1376 | 1376 |
| | ft/in | 4'6" | 4'1" | 4'6" | 4'6" | 4'1" | 4'6" | 4'6" |
| Reach at Level Lift Arm and Bucket Level | mm | 3255 | 3215 | 3420 | 3420 | 3213 | 3421 | 3421 |
| | ft/in | 10'8" | 10'6" | 11'2" | 11'2" | 10'6" | 11'2" | 11'2" |
| A † Digging Depth | mm | 89 | 89 | 89 | 59 | 89 | 89 | 59 |
| | in | 3.5" | 3.5" | 3.5" | 2.3" | 3.5" | 3.5" | 2.3" |
| 12 † Overall Length | mm | 9572 | 9532 | 9754 | 9754 | 9530 | 9753 | 9753 |
| | ft/in | 31'5" | 31'4" | 32'0" | 32'0" | 31'4" | 32'0" | 32'0" |
| B † Overall Height with Bucket at Maximum Lift | mm | 6507 | 6500 | 6500 | 6500 | 6501 | 6501 | 6501 |
| | ft/in | 21'5" | 21'4" | 21'4" | 21'4" | 21'4" | 21'4" | 21'4" |
| Loader Clearance Circle Radius with Bucket at Carry Position | mm | 7661 | 7749 | 7843 | 7843 | 7748 | 7856 | 7856 |
| | ft/in | 25'2" | 25'6" | 25'9" | 25'9" | 25'6" | 25'10" | 25'10" |
| Static Tipping Load, Straight (With tire deflection) | kg | 17 186 | 16 810 | 16 634 | 16 826 | 16 691 | 16 487 | 16 792 |
| | lb | 37,878 | 37,050 | 36,662 | 37,085 | 36,787 | 36,337 | 37,010 |
| Static Tipping Load, Straight (No tire deflection) | kg | 18 229 | 17 845 | 17 666 | 17 856 | 17 725 | 17 518 | 17 832 |
| | lb | 40,178 | 39,331 | 38,937 | 39,355 | 39,066 | 38,611 | 39,302 |
| Static Tipping Load, Articulated (With tire deflection) | kg | 14 985 | 14 609 | 14 432 | 14 611 | 14 488 | 14 283 | 14 576 |
| | lb | 33,027 | 32,198 | 31,809 | 32,204 | 31,931 | 31,481 | 32,127 |
| Static Tipping Load, Articulated (No tire deflection) | kg | 16 052 | 15 668 | 15 489 | 15 665 | 15 547 | 15 340 | 15 641 |
| | lb | 35,380 | 34,533 | 34,139 | 34,527 | 34,266 | 33,810 | 34,473 |
| Breakout Force (§) | kN | 155 | 158 | 155 | 166 | 157 | 155 | 166 |
| | lbf | 34,834 | 35,557 | 35,028 | 37,516 | 35,479 | 34,923 | 37,359 |
| Operating Weight* | kg | 24 477 | 24 899 | 25 037 | 24 874 | 25 028 | 25 186 | 25 024 |
| | lb | 53,946 | 54,877 | 55,181 | 54,821 | 55,160 | 55,509 | 55,152 |

*Static tipping loads and operating weights shown are based on a machine configuration with Bridgestone 26.5R25 VJT L3 radial tires, full fluids, operator, standard counterweight, ride control, cold start, roading fenders, Product Link™, manual diff lock/open axles (front and rear), power train guard, secondary steering and sound suppression.

† Illustration shown with Dimension charts.

***Rock bucket specifications are given on Bridgestone 26.5R25 VSDL L5 radial tires.

(§) Measured 100 mm (4") behind tip of cutting edge with bucket hinge pin as pivot point in accordance with ISO 14397-2:2007.

(With tire deflection) Full compliance to ISO 14397-1:2007 Sections 1 thru 6, which requires 2% verification between calculations and testing.

(No tire deflection) Compliance to ISO 14397-1:2007 Sections 1 thru 5.

Other buckets are available and offerings vary by region. Consult your local Cat dealer for further details.

966 Wheel Loader Specifications

Operating Specifications – Buckets (continued)

| Linkage | | High Lift Linkage | | | | |
|--|-----------------|----------------------------|-----------------------|-----------------------|-----------------------|-----------------------|
| Bucket Type | | Material Handling – Pin-On | | | | |
| Edge Type | | Bolt-On Cutting Edges | Bolt-On Cutting Edges | Bolt-On Cutting Edges | Bolt-On Cutting Edges | Bolt-On Cutting Edges |
| Capacity – Rated | m ³ | 4.60 | 4.80 | 4.20 | 4.60 | 4.40 |
| | yd ³ | 6.00 | 6.25 | 5.50 | 6.00 | 5.75 |
| Capacity – Rated at 110% Fill Factor | m ³ | 5.10 | 5.30 | 4.60 | 5.10 | 4.80 |
| | yd ³ | 6.75 | 7.00 | 6.00 | 6.75 | 6.25 |
| Width | mm | 3230 | 3230 | 2995 | 3220 | 2995 |
| | ft/in | 10'7" | 10'7" | 9'9" | 10'6" | 9'9" |
| 16† Dump Clearance at Maximum Lift and 45° Discharge | mm | 3461 | 3433 | 3462 | 3461 | 3435 |
| | ft/in | 11'4" | 11'3" | 11'4" | 11'4" | 11'3" |
| 17† Reach at Maximum Lift and 45° Discharge | mm | 1267 | 1296 | 1273 | 1274 | 1301 |
| | ft/in | 4'1" | 4'3" | 4'2" | 4'2" | 4'3" |
| Reach at Level Lift Arm and Bucket Level | mm | 3250 | 3290 | 3253 | 3255 | 3292 |
| | ft/in | 10'7" | 10'9" | 10'8" | 10'8" | 10'9" |
| A† Digging Depth | mm | 94 | 94 | 89 | 89 | 89 |
| | in | 3.7" | 3.7" | 3.5" | 3.5" | 3.5" |
| 12† Overall Length | mm | 9570 | 9610 | 9570 | 9572 | 9609 |
| | ft/in | 31'5" | 31'7" | 31'5" | 31'5" | 31'7" |
| B† Overall Height with Bucket at Maximum Lift | mm | 6550 | 6591 | 6542 | 6542 | 6582 |
| | ft/in | 21'6" | 21'8" | 21'6" | 21'6" | 21'8" |
| Loader Clearance Circle Radius with Bucket at Carry Position | mm | 7766 | 7778 | 7660 | 7761 | 7672 |
| | ft/in | 25'6" | 25'7" | 25'2" | 25'6" | 25'3" |
| Static Tipping Load, Straight (With tire deflection) | kg | 16 628 | 16 566 | 16 782 | 16 144 | 16 564 |
| | lb | 36,649 | 36,512 | 36,988 | 35,583 | 36,507 |
| Static Tipping Load, Straight (No tire deflection) | kg | 17 668 | 17 612 | 17 811 | 17 165 | 17 597 |
| | lb | 38,941 | 38,818 | 39,257 | 37,831 | 38,785 |
| Static Tipping Load, Articulated (With tire deflection) | kg | 14 427 | 14 366 | 14 592 | 13 954 | 14 375 |
| | lb | 31,798 | 31,662 | 32,162 | 30,754 | 31,682 |
| Static Tipping Load, Articulated (No tire deflection) | kg | 15 492 | 15 437 | 15 646 | 14 999 | 15 433 |
| | lb | 34,144 | 34,023 | 34,485 | 33,058 | 34,015 |
| Breakout Force (§) | kN | 153 | 148 | 154 | 151 | 149 |
| | lbf | 34,386 | 33,366 | 34,653 | 34,062 | 33,511 |
| Operating Weight* | kg | 25 044 | 25 090 | 24 832 | 25 415 | 25 031 |
| | lb | 55,195 | 55,297 | 54,728 | 56,013 | 55,167 |

*Static tipping loads and operating weights shown are based on a machine configuration with Bridgestone 26.5R25 VJT L3 radial tires, full fluids, operator, standard counterweight, ride control, cold start, roading fenders, Product Link™, manual diff lock/open axles (front and rear), power train guard, secondary steering and sound suppression.

† Illustration shown with Dimension charts.

***Rock bucket specifications are given on Bridgestone 26.5R25 VSDL L5 radial tires.

(§) Measured 100 mm (4") behind tip of cutting edge with bucket hinge pin as pivot point in accordance with ISO 14397-2:2007.

(With tire deflection) Full compliance to ISO 14397-1:2007 Sections 1 thru 6, which requires 2% verification between calculations and testing.

(No tire deflection) Compliance to ISO 14397-1:2007 Sections 1 thru 5.

Other buckets are available and offerings vary by region. Consult your local Cat dealer for further details.

966 Wheel Loader Specifications

Operating Specifications – Buckets (continued)

| Linkage | | High Lift Linkage | | | | | |
|--|-----------------|----------------------------|-----------------------|-----------------------|--------|--------|-----------------------|
| Bucket Type | | Material Handling – Pin-On | | | | | |
| Edge Type | | Bolt-On Cutting Edges | Bolt-On Cutting Edges | Bolt-On Cutting Edges | Tips | Tips | Bolt-On Cutting Edges |
| Capacity – Rated | m ³ | 4.40 | 4.60 | 4.60 | 4.20 | 4.40 | 4.20 |
| | yd ³ | 5.75 | 6.00 | 6.00 | 5.50 | 5.75 | 5.50 |
| Capacity – Rated at 110% Fill Factor | m ³ | 4.80 | 5.10 | 5.10 | 4.60 | 4.80 | 4.60 |
| | yd ³ | 6.25 | 6.75 | 6.75 | 6.00 | 6.25 | 6.00 |
| Width | mm | 3220 | 2995 | 2995 | 3016 | 3312 | 2995 |
| | ft/in | 10'6" | 9'9" | 9'9" | 9'10" | 10'10" | 9'9" |
| 16 † Dump Clearance at Maximum Lift and 45° Discharge | mm | 3489 | 3413 | 3413 | 3291 | 3320 | 3470 |
| | ft/in | 11'5" | 11'2" | 11'2" | 10'9" | 10'10" | 11'4" |
| 17 † Reach at Maximum Lift and 45° Discharge | mm | 1246 | 1323 | 1323 | 1474 | 1448 | 1265 |
| | ft/in | 4'1" | 4'4" | 4'4" | 4'10" | 4'9" | 4'1" |
| Reach at Level Lift Arm and Bucket Level | mm | 3215 | 3323 | 3323 | 3516 | 3477 | 3242 |
| | ft/in | 10'6" | 10'10" | 10'10" | 11'6" | 11'4" | 10'7" |
| A † Digging Depth | mm | 89 | 89 | 89 | 59 | 64 | 89 |
| | in | 3.5" | 3.5" | 3.5" | 2.3" | 2.5" | 3.5" |
| 12 † Overall Length | mm | 9532 | 9640 | 9640 | 9820 | 9779 | 9559 |
| | ft/in | 31'4" | 31'8" | 31'8" | 32'3" | 32'1" | 31'5" |
| B † Overall Height with Bucket at Maximum Lift | mm | 6504 | 6615 | 6615 | 6516 | 6542 | 6582 |
| | ft/in | 21'5" | 21'9" | 21'9" | 21'5" | 21'6" | 21'8" |
| Loader Clearance Circle Radius with Bucket at Carry Position | mm | 7749 | 7681 | 7681 | 7743 | 7860 | 7657 |
| | ft/in | 25'6" | 25'3" | 25'3" | 25'5" | 25'10" | 25'2" |
| Static Tipping Load, Straight (With tire deflection) | kg | 16 231 | 16 518 | 16 685 | 17 222 | 16 268 | 16 660 |
| | lb | 35,775 | 36,405 | 36,773 | 37,958 | 35,855 | 36,719 |
| Static Tipping Load, Straight (No tire deflection) | kg | 17 246 | 17 562 | 17 731 | 18 271 | 17 294 | 17 692 |
| | lb | 38,012 | 38,707 | 39,080 | 40,269 | 38,117 | 38,994 |
| Static Tipping Load, Articulated (With tire deflection) | kg | 14 039 | 14 326 | 14 493 | 15 013 | 14 064 | 14 466 |
| | lb | 30,943 | 31,576 | 31,944 | 33,089 | 30,998 | 31,884 |
| Static Tipping Load, Articulated (No tire deflection) | kg | 15 079 | 15 395 | 15 564 | 16 086 | 15 115 | 15 524 |
| | lb | 33,236 | 33,932 | 34,304 | 35,454 | 33,314 | 34,215 |
| Breakout Force (§) | kN | 156 | 145 | 146 | 160 | 161 | 154 |
| | lbf | 35,144 | 32,732 | 32,894 | 36,003 | 36,285 | 34,771 |
| Operating Weight* | kg | 25 352 | 25 085 | 24 922 | 24 502 | 25 399 | 24 986 |
| | lb | 55,874 | 55,286 | 54,926 | 54,001 | 55,978 | 55,068 |

*Static tipping loads and operating weights shown are based on a machine configuration with Bridgestone 26.5R25 VJT L3 radial tires, full fluids, operator, standard counterweight, ride control, cold start, roading fenders, Product Link™, manual diff lock/open axles (front and rear), power train guard, secondary steering and sound suppression.

† Illustration shown with Dimension charts.

***Rock bucket specifications are given on Bridgestone 26.5R25 VSDL L5 radial tires.

(§) Measured 100 mm (4") behind tip of cutting edge with bucket hinge pin as pivot point in accordance with ISO 14397-2:2007.

(With tire deflection) Full compliance to ISO 14397-1:2007 Sections 1 thru 6, which requires 2% verification between calculations and testing.

(No tire deflection) Compliance to ISO 14397-1:2007 Sections 1 thru 5.

Other buckets are available and offerings vary by region. Consult your local Cat dealer for further details.

966 Wheel Loader Specifications

Operating Specifications – Buckets (continued)

| Linkage | | High Lift Linkage | | | | | |
|--|-----------------|----------------------------|-----------------------|--------|-----------------------|-----------------------|--------|
| Bucket Type | | Material Handling – Pin-On | | | | | |
| Edge Type | | Tips | Bolt-On Cutting Edges | Tips | Bolt-On Cutting Edges | Bolt-On Cutting Edges | Tips |
| Capacity – Rated | m ³ | 4.20 | 4.20 | 4.60 | 4.40 | 4.60 | 4.40 |
| | yd ³ | 5.50 | 5.50 | 6.00 | 5.75 | 6.00 | 5.75 |
| Capacity – Rated at 110% Fill Factor | m ³ | 4.60 | 4.60 | 5.10 | 4.80 | 5.10 | 4.80 |
| | yd ³ | 6.00 | 6.00 | 6.75 | 6.25 | 6.75 | 6.25 |
| Width | mm | 2996 | 2995 | 2996 | 2995 | 2995 | 2996 |
| | ft/in | 9'9" | 9'9" | 9'9" | 9'9" | 9'9" | 9'9" |
| 16 † Dump Clearance at Maximum Lift and 45° Discharge | mm | 3264 | 3462 | 3218 | 3431 | 3413 | 3250 |
| | ft/in | 10'8" | 11'4" | 10'6" | 11'3" | 11'2" | 10'7" |
| 17 † Reach at Maximum Lift and 45° Discharge | mm | 1505 | 1273 | 1551 | 1305 | 1323 | 1519 |
| | ft/in | 4'11" | 4'2" | 5'1" | 4'3" | 4'4" | 4'11" |
| Reach at Level Lift Arm and Bucket Level | mm | 3557 | 3253 | 3622 | 3298 | 3323 | 3577 |
| | ft/in | 11'8" | 10'8" | 11'10" | 10'9" | 10'10" | 11'8" |
| A † Digging Depth | mm | 64 | 89 | 64 | 89 | 89 | 64 |
| | in | 2.5" | 3.5" | 2.5" | 3.5" | 3.5" | 2.5" |
| 12 † Overall Length | mm | 9859 | 9570 | 9924 | 9615 | 9640 | 9879 |
| | ft/in | 32'5" | 31'5" | 32'7" | 31'7" | 31'8" | 32'5" |
| B † Overall Height with Bucket at Maximum Lift | mm | 6616 | 6545 | 6676 | 6589 | 6615 | 6646 |
| | ft/in | 21'9" | 21'6" | 21'11" | 21'8" | 21'9" | 21'10" |
| Loader Clearance Circle Radius with Bucket at Carry Position | mm | 7746 | 7660 | 7767 | 7674 | 7681 | 7753 |
| | ft/in | 25'5" | 25'2" | 25'6" | 25'3" | 25'3" | 25'6" |
| Static Tipping Load, Straight (With tire deflection) | kg | 16 268 | 16 338 | 16 144 | 16 222 | 16 159 | 16 228 |
| | lb | 35,855 | 36,010 | 35,581 | 35,754 | 35,616 | 35,768 |
| Static Tipping Load, Straight (No tire deflection) | kg | 17 304 | 17 359 | 17 192 | 17 248 | 17 195 | 17 269 |
| | lb | 38,140 | 38,259 | 37,892 | 38,016 | 37,899 | 38,061 |
| Static Tipping Load, Articulated (With tire deflection) | kg | 14 068 | 14 148 | 13 944 | 14 033 | 13 968 | 14 029 |
| | lb | 31,007 | 31,184 | 30,733 | 30,930 | 30,787 | 30,920 |
| Static Tipping Load, Articulated (No tire deflection) | kg | 15 129 | 15 194 | 15 017 | 15 085 | 15 029 | 15 094 |
| | lb | 33,346 | 33,487 | 33,098 | 33,247 | 33,123 | 33,267 |
| Breakout Force (§) | kN | 152 | 152 | 144 | 147 | 144 | 149 |
| | lbf | 34,212 | 34,326 | 32,553 | 33,117 | 32,461 | 33,684 |
| Operating Weight* | kg | 25 355 | 25 232 | 25 453 | 25 316 | 25 391 | 25 388 |
| | lb | 55,881 | 55,610 | 56,097 | 55,795 | 55,960 | 55,954 |

*Static tipping loads and operating weights shown are based on a machine configuration with Bridgestone 26.5R25 VJT L3 radial tires, full fluids, operator, standard counterweight, ride control, cold start, roading fenders, Product Link™, manual diff lock/open axles (front and rear), power train guard, secondary steering and sound suppression.

† Illustration shown with Dimension charts.

***Rock bucket specifications are given on Bridgestone 26.5R25 VSDL L5 radial tires.

(§) Measured 100 mm (4") behind tip of cutting edge with bucket hinge pin as pivot point in accordance with ISO 14397-2:2007.

(With tire deflection) Full compliance to ISO 14397-1:2007 Sections 1 thru 6, which requires 2% verification between calculations and testing.

(No tire deflection) Compliance to ISO 14397-1:2007 Sections 1 thru 5.

Other buckets are available and offerings vary by region. Consult your local Cat dealer for further details.

966 Wheel Loader Specifications

Operating Specifications – Buckets (continued)

| Linkage | | High Lift Linkage | | | | | | |
|--|-----------------|----------------------------|--------|-----------------------|--------|-----------------------|--------|--|
| Bucket Type | | Material Handling – Pin-On | | | | | | |
| Edge Type | Tips | Bolt-On Cutting Edges | Tips | Bolt-On Cutting Edges | Tips | Bolt-On Cutting Edges | Tips | |
| Capacity – Rated | m ³ | 4.40 | 4.60 | 4.60 | 4.60 | 4.60 | 4.40 | |
| | yd ³ | 5.75 | 6.00 | 6.00 | 6.00 | 6.00 | 5.75 | |
| Capacity – Rated at 110% Fill Factor | m ³ | 4.80 | 5.10 | 5.10 | 5.10 | 5.10 | 4.80 | |
| | yd ³ | 6.25 | 6.75 | 6.75 | 6.75 | 6.75 | 6.25 | |
| Width | mm | 3312 | 3220 | 3312 | 3220 | 2996 | 2996 | |
| | ft/in | 10'10" | 10'6" | 10'10" | 10'6" | 9'9" | 9'9" | |
| 16 † Dump Clearance at Maximum Lift and 45° Discharge | mm | 3320 | 3461 | 3292 | 3461 | 3220 | 3253 | |
| | ft/in | 10'10" | 11'4" | 10'9" | 11'4" | 10'6" | 10'8" | |
| 17 † Reach at Maximum Lift and 45° Discharge | mm | 1448 | 1274 | 1477 | 1274 | 1549 | 1515 | |
| | ft/in | 4'9" | 4'2" | 4'10" | 4'2" | 5'0" | 4'11" | |
| Reach at Level Lift Arm and Bucket Level | mm | 3477 | 3255 | 3517 | 3255 | 3619 | 3572 | |
| | ft/in | 11'4" | 10'8" | 11'6" | 10'8" | 11'10" | 11'8" | |
| A † Digging Depth | mm | 64 | 89 | 64 | 89 | 64 | 64 | |
| | in | 2.5" | 3.5" | 2.5" | 3.5" | 2.5" | 2.5" | |
| 12 † Overall Length | mm | 9779 | 9572 | 9819 | 9572 | 9921 | 9874 | |
| | ft/in | 32'1" | 31'5" | 32'3" | 31'5" | 32'7" | 32'5" | |
| B † Overall Height with Bucket at Maximum Lift | mm | 6542 | 6545 | 6585 | 6542 | 6686 | 6636 | |
| | ft/in | 21'6" | 21'6" | 21'8" | 21'6" | 22'0" | 21'10" | |
| Loader Clearance Circle Radius with Bucket at Carry Position | mm | 7860 | 7761 | 7873 | 7761 | 7766 | 7751 | |
| | ft/in | 25'10" | 25'6" | 25'10" | 25'6" | 25'6" | 25'6" | |
| Static Tipping Load, Straight (With tire deflection) | kg | 16 263 | 16 145 | 16 176 | 16 663 | 16 144 | 16 193 | |
| | lb | 35,844 | 35,584 | 35,652 | 36,726 | 35,582 | 35,689 | |
| Static Tipping Load, Straight (No tire deflection) | kg | 17 289 | 17 165 | 17 207 | 17 694 | 17 190 | 17 228 | |
| | lb | 38,105 | 37,832 | 37,925 | 38,998 | 37,888 | 37,972 | |
| Static Tipping Load, Articulated (With tire deflection) | kg | 14 059 | 13 954 | 13 973 | 14 473 | 13 945 | 14 001 | |
| | lb | 30,986 | 30,756 | 30,798 | 31,899 | 30,736 | 30,860 | |
| Static Tipping Load, Articulated (No tire deflection) | kg | 15 110 | 14 999 | 15 029 | 15 528 | 15 016 | 15 062 | |
| | lb | 33,303 | 33,059 | 33,126 | 34,225 | 33,097 | 33,196 | |
| Breakout Force (§) | kN | 161 | 151 | 156 | 153 | 145 | 144 | |
| | lbf | 36,254 | 34,061 | 35,107 | 34,479 | 32,602 | 32,495 | |
| Operating Weight* | kg | 25 401 | 25 414 | 25 463 | 24 952 | 25 443 | 25 354 | |
| | lb | 55,982 | 56,011 | 56,119 | 54,993 | 56,075 | 55,879 | |

*Static tipping loads and operating weights shown are based on a machine configuration with Bridgestone 26.5R25 VJT L3 radial tires, full fluids, operator, standard counterweight, ride control, cold start, roading fenders, Product Link™, manual diff lock/open axles (front and rear), power train guard, secondary steering and sound suppression.

† Illustration shown with Dimension charts.

***Rock bucket specifications are given on Bridgestone 26.5R25 VSDL L5 radial tires.

(§) Measured 100 mm (4") behind tip of cutting edge with bucket hinge pin as pivot point in accordance with ISO 14397-2:2007.

(With tire deflection) Full compliance to ISO 14397-1:2007 Sections 1 thru 6, which requires 2% verification between calculations and testing.

(No tire deflection) Compliance to ISO 14397-1:2007 Sections 1 thru 5.

Other buckets are available and offerings vary by region. Consult your local Cat dealer for further details.

966 Wheel Loader Specifications

Operating Specifications – Buckets (continued)

| Linkage | | High Lift Linkage | | | | | | |
|--|-----------------|--------------------------------------|-----------------------|--------------------|--------|-----------------------|--------------------|--------|
| Bucket Type | | Material Handling – Hook-On – Fusion | | | | | | |
| Edge Type | | Bolt-On Cutting Edges | Bolt-On Cutting Edges | Teeth and Segments | Tips | Bolt-On Cutting Edges | Teeth and Segments | Tips |
| Capacity – Rated | m ³ | 9.80 | 4.20 | 4.20 | 4.00 | 4.20 | 4.20 | 4.00 |
| | yd ³ | 12.75 | 5.50 | 5.50 | 5.25 | 5.50 | 5.50 | 5.25 |
| Capacity – Rated at 110% Fill Factor | m ³ | 10.80 | 4.60 | 4.60 | 4.40 | 4.60 | 4.60 | 4.40 |
| | yd ³ | 14.25 | 6.00 | 6.00 | 5.75 | 6.00 | 6.00 | 5.75 |
| Width | mm | 3943 | 3243 | 3301 | 3301 | 3220 | 3271 | 3271 |
| | ft/in | 12'11" | 10'7" | 10'9" | 10'9" | 10'6" | 10'8" | 10'8" |
| 16 † Dump Clearance at Maximum Lift and 45° Discharge | mm | 3162 | 3559 | 3394 | 3394 | 3467 | 3304 | 3304 |
| | ft/in | 10'4" | 11'8" | 11'1" | 11'1" | 11'4" | 10'10" | 10'10" |
| 17 † Reach at Maximum Lift and 45° Discharge | mm | 1585 | 1181 | 1310 | 1310 | 1268 | 1395 | 1395 |
| | ft/in | 5'2" | 3'10" | 4'3" | 4'3" | 4'1" | 4'6" | 4'6" |
| Reach at Level Lift Arm and Bucket Level | mm | 3686 | 3120 | 3327 | 3327 | 3246 | 3451 | 3451 |
| | ft/in | 12'1" | 10'2" | 10'11" | 10'11" | 10'7" | 11'3" | 11'3" |
| A † Digging Depth | mm | 81 | 86 | 81 | 51 | 89 | 89 | 59 |
| | in | 3.2" | 3.4" | 3.2" | 2.0" | 3.5" | 3.5" | 2.3" |
| 12 † Overall Length | mm | 9998 | 9435 | 9659 | 9659 | 9563 | 9785 | 9785 |
| | ft/in | 32'10" | 31'0" | 31'9" | 31'9" | 31'5" | 32'2" | 32'2" |
| B † Overall Height with Bucket at Maximum Lift | mm | 7067 | 6430 | 6430 | 6430 | 6511 | 6511 | 6511 |
| | ft/in | 23'3" | 21'2" | 21'2" | 21'2" | 21'5" | 21'5" | 21'5" |
| Loader Clearance Circle Radius with Bucket at Carry Position | mm | 8238 | 7746 | 7848 | 7848 | 7777 | 7876 | 7876 |
| | ft/in | 27'1" | 25'5" | 25'9" | 25'9" | 25'7" | 25'11" | 25'11" |
| Static Tipping Load, Straight (With tire deflection) | kg | 16 496 | 16 959 | 16 755 | 17 057 | 16 256 | 16 081 | 16 391 |
| | lb | 36,359 | 37,378 | 36,929 | 37,593 | 35,829 | 35,443 | 36,127 |
| Static Tipping Load, Straight (No tire deflection) | kg | 17 706 | 18 023 | 17 817 | 18 130 | 17 276 | 17 099 | 17 418 |
| | lb | 39,025 | 39,723 | 39,268 | 39,960 | 38,078 | 37,687 | 38,391 |
| Static Tipping Load, Articulated (With tire deflection) | kg | 14 241 | 14 726 | 14 522 | 14 812 | 14 079 | 13 904 | 14 200 |
| | lb | 31,387 | 32,457 | 32,008 | 32,645 | 31,030 | 30,644 | 31,298 |
| Static Tipping Load, Articulated (No tire deflection) | kg | 15 470 | 15 814 | 15 607 | 15 908 | 15 124 | 14 947 | 15 252 |
| | lb | 34,096 | 34,854 | 34,399 | 35,063 | 33,334 | 32,943 | 33,617 |
| Breakout Force (§) | kN | 115 | 170 | 168 | 180 | 154 | 152 | 162 |
| | lbf | 25,866 | 38,367 | 37,824 | 40,599 | 34,679 | 34,155 | 36,543 |
| Operating Weight* | kg | 25 513 | 25 036 | 25 194 | 25 033 | 25 305 | 25 443 | 25 280 |
| | lb | 56,231 | 55,179 | 55,528 | 55,171 | 55,771 | 56,075 | 55,716 |

*Static tipping loads and operating weights shown are based on a machine configuration with Bridgestone 26.5R25 VJT L3 radial tires, full fluids, operator, standard counterweight, ride control, cold start, roading fenders, Product Link™, manual diff lock/open axles (front and rear), power train guard, secondary steering and sound suppression.

† Illustration shown with Dimension charts.

***Rock bucket specifications are given on Bridgestone 26.5R25 VSDL L5 radial tires.

(§) Measured 100 mm (4") behind tip of cutting edge with bucket hinge pin as pivot point in accordance with ISO 14397-2:2007.

(With tire deflection) Full compliance to ISO 14397-1:2007 Sections 1 thru 6, which requires 2% verification between calculations and testing.

(No tire deflection) Compliance to ISO 14397-1:2007 Sections 1 thru 5.

Other buckets are available and offerings vary by region. Consult your local Cat dealer for further details.

966 Wheel Loader Specifications

Operating Specifications – Buckets (continued)

| Linkage | | High Lift Linkage | | | | | | | |
|--|-----------------|--------------------------------------|--------------------|--------|-----------------------|-----------------------|--------------------|--------|--|
| Bucket Type | | Material Handling – Hook-On – Fusion | | | | | | | |
| Edge Type | | Bolt-On Cutting Edges | Teeth and Segments | Tips | Bolt-On Cutting Edges | Bolt-On Cutting Edges | Teeth and Segments | Tips | |
| Capacity – Rated | m ³ | 4.80 | 4.80 | 4.60 | 4.40 | 4.40 | 4.40 | 4.20 | |
| | yd ³ | 6.25 | 6.25 | 6.00 | 5.75 | 5.75 | 5.75 | 5.50 | |
| Capacity – Rated at 110% Fill Factor | m ³ | 5.30 | 5.30 | 5.10 | 4.80 | 4.80 | 4.80 | 4.60 | |
| | yd ³ | 7.00 | 7.00 | 6.75 | 6.25 | 6.25 | 6.25 | 6.00 | |
| Width | mm | 3220 | 3271 | 3271 | 3220 | 3220 | 3271 | 3271 | |
| | ft/in | 10'6" | 10'8" | 10'8" | 10'6" | 10'6" | 10'8" | 10'8" | |
| 16† Dump Clearance at Maximum Lift and 45° Discharge | mm | 3382 | 3220 | 3220 | 3441 | 3440 | 3277 | 3277 | |
| | ft/in | 11'1" | 10'6" | 10'6" | 11'3" | 11'3" | 10'9" | 10'9" | |
| 17† Reach at Maximum Lift and 45° Discharge | mm | 1353 | 1480 | 1480 | 1289 | 1296 | 1423 | 1423 | |
| | ft/in | 4'5" | 4'10" | 4'10" | 4'2" | 4'3" | 4'8" | 4'8" | |
| Reach at Level Lift Arm and Bucket Level | mm | 3366 | 3571 | 3571 | 3280 | 3285 | 3490 | 3490 | |
| | ft/in | 11'0" | 11'8" | 11'8" | 10'9" | 10'9" | 11'5" | 11'5" | |
| A† Digging Depth | mm | 89 | 89 | 59 | 93 | 89 | 89 | 59 | |
| | in | 3.5" | 3.5" | 2.3" | 3.6" | 3.5" | 3.5" | 2.3" | |
| 12† Overall Length | mm | 9683 | 9905 | 9905 | 9599 | 9602 | 9824 | 9824 | |
| | ft/in | 31'10" | 32'6" | 32'6" | 31'6" | 31'7" | 32'3" | 32'3" | |
| B† Overall Height with Bucket at Maximum Lift | mm | 6634 | 6634 | 6634 | 6536 | 6541 | 6541 | 6541 | |
| | ft/in | 21'10" | 21'10" | 21'10" | 21'6" | 21'6" | 21'6" | 21'6" | |
| Loader Clearance Circle Radius with Bucket at Carry Position | mm | 7816 | 7916 | 7916 | 7757 | 7789 | 7889 | 7889 | |
| | ft/in | 25'8" | 26'0" | 26'0" | 25'6" | 25'7" | 25'11" | 25'11" | |
| Static Tipping Load, Straight (With tire deflection) | kg | 16 073 | 15 896 | 16 204 | 16 546 | 16 191 | 16 016 | 16 325 | |
| | lb | 35,426 | 35,035 | 35,715 | 36,467 | 35,687 | 35,299 | 35,981 | |
| Static Tipping Load, Straight (No tire deflection) | kg | 17 113 | 16 933 | 17 251 | 17 617 | 17 218 | 17 040 | 17 359 | |
| | lb | 37,717 | 37,321 | 38,022 | 38,828 | 37,950 | 37,557 | 38,259 | |
| Static Tipping Load, Articulated (With tire deflection) | kg | 13 897 | 13 720 | 14 016 | 14 325 | 14 014 | 13 838 | 14 135 | |
| | lb | 30,631 | 30,239 | 30,891 | 31,572 | 30,888 | 30,500 | 31,153 | |
| Static Tipping Load, Articulated (No tire deflection) | kg | 14 962 | 14 782 | 15 087 | 15 419 | 15 066 | 14 888 | 15 193 | |
| | lb | 32,976 | 32,580 | 33,252 | 33,985 | 33,206 | 32,813 | 33,486 | |
| Breakout Force (§) | kN | 141 | 139 | 148 | 142 | 149 | 147 | 157 | |
| | lbf | 31,754 | 31,247 | 33,315 | 31,905 | 33,680 | 33,162 | 35,437 | |
| Operating Weight* | kg | 25 444 | 25 582 | 25 419 | 25 365 | 25 359 | 25 497 | 25 334 | |
| | lb | 56,079 | 56,383 | 56,023 | 55,905 | 55,891 | 56,195 | 55,835 | |

*Static tipping loads and operating weights shown are based on a machine configuration with Bridgestone 26.5R25 VJT L3 radial tires, full fluids, operator, standard counterweight, ride control, cold start, roading fenders, Product Link™, manual diff lock/open axles (front and rear), power train guard, secondary steering and sound suppression.

† Illustration shown with Dimension charts.

***Rock bucket specifications are given on Bridgestone 26.5R25 VSDL L5 radial tires.

(§) Measured 100 mm (4") behind tip of cutting edge with bucket hinge pin as pivot point in accordance with ISO 14397-2:2007.

(With tire deflection) Full compliance to ISO 14397-1:2007 Sections 1 thru 6, which requires 2% verification between calculations and testing.

(No tire deflection) Compliance to ISO 14397-1:2007 Sections 1 thru 5.

Other buckets are available and offerings vary by region. Consult your local Cat dealer for further details.

Operating Specifications – Buckets (continued)

| Linkage | | High Lift Linkage | | | | |
|--|-----------------|--------------------------------------|--------|---|-----------------------|-----------------------|
| Bucket Type | | Material Handling – Hook-On – Fusion | | Material Handling – Hook-On – VCE Large | | |
| | | Bolt-On Cutting Edges | Tips | Bolt-On Cutting Edges | Bolt-On Cutting Edges | Bolt-On Cutting Edges |
| Edge Type | | | | | | |
| Capacity – Rated | m ³ | 4.20 | 4.20 | 4.20 | 4.60 | 4.80 |
| | yd ³ | 5.50 | 5.50 | 5.50 | 6.00 | 6.25 |
| Capacity – Rated at 110% Fill Factor | m ³ | 4.60 | 4.60 | 4.60 | 5.10 | 5.30 |
| | yd ³ | 6.00 | 6.00 | 6.00 | 6.75 | 7.00 |
| Width | mm | 2995 | 2996 | 3220 | 3220 | 3230 |
| | ft/in | 9'9" | 9'9" | 10'6" | 10'6" | 10'7" |
| 16 † Dump Clearance at Maximum Lift and 45° Discharge | mm | 3421 | 3141 | 3362 | 3305 | 3234 |
| | ft/in | 11'2" | 10'3" | 11'0" | 10'10" | 10'7" |
| 17 † Reach at Maximum Lift and 45° Discharge | mm | 1309 | 1520 | 1382 | 1439 | 1506 |
| | ft/in | 4'3" | 4'11" | 4'6" | 4'8" | 4'11" |
| Reach at Level Lift Arm and Bucket Level | mm | 3308 | 3655 | 3401 | 3481 | 3579 |
| | ft/in | 10'10" | 11'11" | 11'1" | 11'5" | 11'8" |
| A † Digging Depth | mm | 93 | 68 | 83 | 83 | 86 |
| | in | 3.6" | 2.7" | 3.2" | 3.2" | 3.4" |
| 12 † Overall Length | mm | 9628 | 10 007 | 9714 | 9794 | 9894 |
| | ft/in | 31'8" | 32'10" | 31'11" | 32'2" | 32'6" |
| B † Overall Height with Bucket at Maximum Lift | mm | 6564 | 6657 | 6616 | 6697 | 6783 |
| | ft/in | 21'7" | 21'11" | 21'9" | 22'0" | 22'4" |
| Loader Clearance Circle Radius with Bucket at Carry Position | mm | 7666 | 7792 | 7811 | 7837 | 7861 |
| | ft/in | 25'2" | 25'7" | 25'8" | 25'9" | 25'10" |
| Static Tipping Load, Straight (With tire deflection) | kg | 16 348 | 16 946 | 15 447 | 15 320 | 15 141 |
| | lb | 36,031 | 37,351 | 34,046 | 33,765 | 33,372 |
| Static Tipping Load, Straight (No tire deflection) | kg | 17 420 | 18 039 | 16 441 | 16 324 | 16 173 |
| | lb | 38,393 | 39,759 | 36,237 | 35,980 | 35,645 |
| Static Tipping Load, Articulated (With tire deflection) | kg | 14 128 | 14 714 | 13 339 | 13 214 | 13 032 |
| | lb | 31,139 | 32,431 | 29,400 | 29,124 | 28,724 |
| Static Tipping Load, Articulated (No tire deflection) | kg | 15 224 | 15 830 | 14 359 | 14 244 | 14 089 |
| | lb | 33,553 | 34,890 | 31,648 | 31,394 | 31,053 |
| Breakout Force (§) | kN | 138 | 140 | 139 | 132 | 120 |
| | lbf | 31,087 | 31,551 | 31,373 | 29,691 | 27,089 |
| Operating Weight* | kg | 25 547 | 25 006 | 25 522 | 25 615 | 25 788 |
| | lb | 56,306 | 55,114 | 56,249 | 56,454 | 56,835 |

*Static tipping loads and operating weights shown are based on a machine configuration with Bridgestone 26.5R25 VJT L3 radial tires, full fluids, operator, standard counterweight, ride control, cold start, roading fenders, Product Link™, manual diff lock/open axles (front and rear), power train guard, secondary steering and sound suppression.

† Illustration shown with Dimension charts.

***Rock bucket specifications are given on Bridgestone 26.5R25 VSDL L5 radial tires.

(§) Measured 100 mm (4") behind tip of cutting edge with bucket hinge pin as pivot point in accordance with ISO 14397-2:2007.

(With tire deflection) Full compliance to ISO 14397-1:2007 Sections 1 thru 6, which requires 2% verification between calculations and testing.

(No tire deflection) Compliance to ISO 14397-1:2007 Sections 1 thru 5.

Other buckets are available and offerings vary by region. Consult your local Cat dealer for further details.

966 Wheel Loader Specifications

Operating Specifications – Buckets (continued)

| Linkage | | | High Lift Linkage | | | | |
|--|-----------------|--------|-----------------------------|-----------------------------|-----------------------|--------|--------------------------------------|
| Bucket Type | | | Rock, Spade – Pin-On | | | | Rock, Spade – Hook-On – Fusion |
| Edge Type | | Tips | Bolt-On Cutting Edges | Bolt-On Cutting Edges | Teeth and Segments | Tips | Teeth and Segments |
| Capacity – Rated | m ³ | 3.20 | 2.80 | 3.20 | 3.40 | 3.20 | 3.40 |
| | yd ³ | 4.25 | 3.75 | 4.25 | 4.50 | 4.25 | 4.50 |
| Capacity – Rated at 110% Fill Factor | m ³ | 3.50 | 3.10 | 3.50 | 3.70 | 3.50 | 3.70 |
| | yd ³ | 4.50 | 4.00 | 4.50 | 4.75 | 4.50 | 4.75 |
| Width | mm | 3286 | 3288 | 3288 | 3252 | 3252 | 3286 |
| | ft/in | 10'9" | 10'9" | 10'9" | 10'8" | 10'8" | 10'9" |
| 16 † Dump Clearance at Maximum Lift and 45° Discharge | mm | 3548 | 3837 | 3722 | 3565 | 3565 | 3529 |
| | ft/in | 11'7" | 12'7" | 12'2" | 11'8" | 11'8" | 11'6" |
| 17 † Reach at Maximum Lift and 45° Discharge | mm | 1513 | 1319 | 1329 | 1522 | 1522 | 1553 |
| | ft/in | 4'11" | 4'3" | 4'4" | 4'11" | 4'11" | 5'1" |
| Reach at Level Lift Arm and Bucket Level | mm | 3351 | 3006 | 3100 | 3348 | 3348 | 3395 |
| | ft/in | 10'11" | 9'10" | 10'2" | 10'11" | 10'11" | 11'1" |
| A † Digging Depth | mm | 18 | 53 | 53 | 62 | 18 | 50 |
| | in | 0.7" | 2.1" | 2.1" | 2.4" | 0.7" | 1.9" |
| 12 † Overall Length | mm | 9691 | 9325 | 9419 | 9674 | 9674 | 9729 |
| | ft/in | 31'10" | 30'8" | 30'11" | 31'9" | 31'9" | 31'11" |
| B † Overall Height with Bucket at Maximum Lift | mm | 6385 | 6413 | 6511 | 6385 | 6385 | 6191 |
| | ft/in | 21'0" | 21'1" | 21'5" | 21'0" | 21'0" | 20'4" |
| Loader Clearance Circle Radius with Bucket at Carry Position | mm | 7840 | 7725 | 7760 | 7816 | 7816 | 7872 |
| | ft/in | 25'9" | 25'5" | 25'6" | 25'8" | 25'8" | 25'10" |
| Static Tipping Load, Straight (With tire deflection) | kg | 17 762 | 17 484 | 17 233 | 17 472 | 17 823 | 17 165 |
| | lb | 39,148 | 38,535 | 37,981 | 38,509 | 39,283 | 37,831 |
| Static Tipping Load, Straight (No tire deflection) | kg | 18 828 | 18 543 | 18 307 | 18 541 | 18 899 | 18 245 |
| | lb | 41,498 | 40,870 | 40,348 | 40,865 | 41,653 | 40,212 |
| Static Tipping Load, Articulated (With tire deflection) | kg | 15 469 | 15 171 | 14 926 | 15 183 | 15 527 | 14 868 |
| | lb | 34,095 | 33,438 | 32,897 | 33,465 | 34,222 | 32,771 |
| Static Tipping Load, Articulated (No tire deflection) | kg | 16 562 | 16 258 | 16 027 | 16 279 | 16 629 | 15 976 |
| | lb | 36,504 | 35,833 | 35,323 | 35,880 | 36,651 | 35,211 |
| Breakout Force (§) | kN | 178 | 183 | 169 | 171 | 179 | 165 |
| | lbf | 40,010 | 41,256 | 38,047 | 38,561 | 40,314 | 37,141 |
| Operating Weight* | kg | 25 910 | 26 357 | 26 524 | 26 122 | 25 891 | 26 509 |
| | lb | 57,106 | 58,091 | 58,459 | 57,573 | 57,064 | 58,426 |

*Static tipping loads and operating weights shown are based on a machine configuration with Bridgestone 26.5R25 VJT L3 radial tires, full fluids, operator, standard counterweight, ride control, cold start, roading fenders, Product Link™, manual diff lock/open axles (front and rear), power train guard, secondary steering and sound suppression.

† Illustration shown with Dimension charts.

***Rock bucket specifications are given on Bridgestone 26.5R25 VSDL L5 radial tires.

(§) Measured 100 mm (4") behind tip of cutting edge with bucket hinge pin as pivot point in accordance with ISO 14397-2:2007.

(With tire deflection) Full compliance to ISO 14397-1:2007 Sections 1 thru 6, which requires 2% verification between calculations and testing.

(No tire deflection) Compliance to ISO 14397-1:2007 Sections 1 thru 5.

Other buckets are available and offerings vary by region. Consult your local Cat dealer for further details.

966 Wheel Loader Specifications

Operating Specifications – Buckets (continued)

| Linkage | | High Lift Linkage | | | | | | |
|--|-----------------|-----------------------|-------------------------|--------------------|--------|-----------------------|--------------------|--------|
| Bucket Type | | Coal – Pin-On | Coal – Hook-On – Fusion | | | | | |
| | | Bolt-On Cutting Edges | Bolt-On Cutting Edges | Teeth and Segments | Tips | Bolt-On Cutting Edges | Teeth and Segments | Tips |
| Edge Type | | | | | | | | |
| Capacity – Rated | m ³ | 7.10 | 6.70 | 6.70 | 6.50 | 7.70 | 7.70 | 7.30 |
| | yd ³ | 9.25 | 8.75 | 8.75 | 8.50 | 10.00 | 10.00 | 9.50 |
| Capacity – Rated at 110% Fill Factor | m ³ | 7.80 | 7.40 | 7.40 | 7.20 | 8.50 | 8.50 | 8.00 |
| | yd ³ | 10.25 | 9.75 | 9.75 | 9.50 | 11.00 | 11.00 | 10.50 |
| Width | mm | 3447 | 3447 | 3520 | 3520 | 3447 | 3521 | 3521 |
| | ft/in | 11'3" | 11'3" | 11'6" | 11'6" | 11'3" | 11'6" | 11'6" |
| 16 † Dump Clearance at Maximum Lift and 45° Discharge | mm | 3193 | 3266 | 3093 | 3093 | 3155 | 2984 | 2984 |
| | ft/in | 10'5" | 10'8" | 10'1" | 10'1" | 10'4" | 9'9" | 9'9" |
| 17 † Reach at Maximum Lift and 45° Discharge | mm | 1520 | 1453 | 1596 | 1596 | 1564 | 1705 | 1705 |
| | ft/in | 4'11" | 4'9" | 5'2" | 5'2" | 5'1" | 5'7" | 5'7" |
| Reach at Level Lift Arm and Bucket Level | mm | 3618 | 3519 | 3743 | 3743 | 3676 | 3896 | 3896 |
| | ft/in | 11'10" | 11'6" | 12'3" | 12'3" | 12'0" | 12'9" | 12'9" |
| A † Digging Depth | mm | 105 | 101 | 91 | 64 | 101 | 91 | 64 |
| | in | 4.1" | 3.9" | 3.6" | 2.5" | 3.9" | 3.6" | 2.5" |
| 12 † Overall Length | mm | 9945 | 9844 | 10 082 | 10 082 | 10 001 | 10 235 | 10 235 |
| | ft/in | 32'8" | 32'4" | 33'1" | 33'1" | 32'10" | 33'7" | 33'7" |
| B † Overall Height with Bucket at Maximum Lift | mm | 6639 | 6702 | 6704 | 6704 | 6855 | 6855 | 6855 |
| | ft/in | 21'10" | 22'0" | 22'0" | 22'0" | 22'6" | 22'6" | 22'6" |
| Loader Clearance Circle Radius with Bucket at Carry Position | mm | 7978 | 7971 | 8086 | 8086 | 8023 | 8139 | 8139 |
| | ft/in | 26'3" | 26'2" | 26'7" | 26'7" | 26'4" | 26'9" | 26'9" |
| Static Tipping Load, Straight (With tire deflection) | kg | 16 374 | 16 076 | 15 947 | 16 242 | 15 785 | 15 652 | 15 835 |
| | lb | 36,089 | 35,432 | 35,148 | 35,797 | 34,790 | 34,498 | 34,901 |
| Static Tipping Load, Straight (No tire deflection) | kg | 17 476 | 17 191 | 17 060 | 17 353 | 16 918 | 16 784 | 16 954 |
| | lb | 38,518 | 37,889 | 37,600 | 38,247 | 37,289 | 36,993 | 37,366 |
| Static Tipping Load, Articulated (With tire deflection) | kg | 14 172 | 13 856 | 13 727 | 14 014 | 13 572 | 13 440 | 13 631 |
| | lb | 31,235 | 30,539 | 30,255 | 30,888 | 29,914 | 29,622 | 30,044 |
| Static Tipping Load, Articulated (No tire deflection) | kg | 15 297 | 14 993 | 14 862 | 15 149 | 14 728 | 14 594 | 14 773 |
| | lb | 33,715 | 33,045 | 32,757 | 33,389 | 32,462 | 32,166 | 32,560 |
| Breakout Force (§) | kN | 118 | 125 | 125 | 133 | 113 | 112 | 119 |
| | lbf | 26,622 | 28,203 | 28,138 | 29,921 | 25,425 | 25,316 | 26,839 |
| Operating Weight* | kg | 25 157 | 25 653 | 25 750 | 25 574 | 25 841 | 25 938 | 25 763 |
| | lb | 55,444 | 56,539 | 56,752 | 56,365 | 56,953 | 57,168 | 56,782 |

*Static tipping loads and operating weights shown are based on a machine configuration with Bridgestone 26.5R25 VJT L3 radial tires, full fluids, operator, standard counterweight, ride control, cold start, roading fenders, Product Link™, manual diff lock/open axles (front and rear), power train guard, secondary steering and sound suppression.

† Illustration shown with Dimension charts.

***Rock bucket specifications are given on Bridgestone 26.5R25 VSDL L5 radial tires.

(§) Measured 100 mm (4") behind tip of cutting edge with bucket hinge pin as pivot point in accordance with ISO 14397-2:2007.

(With tire deflection) Full compliance to ISO 14397-1:2007 Sections 1 thru 6, which requires 2% verification between calculations and testing.

(No tire deflection) Compliance to ISO 14397-1:2007 Sections 1 thru 5.

Other buckets are available and offerings vary by region. Consult your local Cat dealer for further details.

966 Wheel Loader Specifications

Operating Specifications – Buckets (continued)

| Linkage | | High Lift Linkage | | | | | |
|--|-----------------|------------------------|--------------------|--------|----------------------------------|--------------------|--------|
| Bucket Type | | Multi-Purpose – Pin-On | | | Multi-Purpose – Hook-On – Fusion | | |
| Edge Type | | Bolt-On Cutting Edges | Teeth and Segments | Tips | Bolt-On Cutting Edges | Teeth and Segments | Tips |
| Capacity – Rated | m ³ | 3.10 | 3.10 | 2.90 | 3.10 | 3.10 | 2.90 |
| | yd ³ | 4.00 | 4.00 | 3.75 | 4.00 | 4.00 | 3.75 |
| Capacity – Rated at 110% Fill Factor | m ³ | 3.40 | 3.40 | 3.20 | 3.40 | 3.40 | 3.10 |
| | yd ³ | 4.50 | 4.50 | 4.25 | 4.50 | 4.50 | 4.00 |
| Width | mm | 3226 | 3226 | 3226 | 3226 | 3301 | 3301 |
| | ft/in | 10'7" | 10'7" | 10'7" | 10'7" | 10'9" | 10'9" |
| 16 † Dump Clearance at Maximum Lift and 45° Discharge | mm | 3769 | 3640 | 3640 | 3878 | 3752 | 3752 |
| | ft/in | 12'4" | 11'11" | 11'11" | 12'8" | 12'3" | 12'3" |
| 17 † Reach at Maximum Lift and 45° Discharge | mm | 1310 | 1484 | 1484 | 1393 | 1561 | 1561 |
| | ft/in | 4'3" | 4'10" | 4'10" | 4'6" | 5'1" | 5'1" |
| Reach at Level Lift Arm and Bucket Level | mm | 2991 | 3206 | 3206 | 3012 | 3220 | 3220 |
| | ft/in | 9'9" | 10'6" | 10'6" | 9'10" | 10'6" | 10'6" |
| A † Digging Depth | mm | 223 | 223 | 188 | 83 | 78 | 48 |
| | in | 8.8" | 8.8" | 7.4" | 3.3" | 3.1" | 1.9" |
| 12 † Overall Length | mm | 9393 | 9624 | 9624 | 9326 | 9551 | 9551 |
| | ft/in | 30'10" | 31'7" | 31'7" | 30'8" | 31'5" | 31'5" |
| B † Overall Height with Bucket at Maximum Lift | mm | 6085 | 6085 | 6085 | 6204 | 6204 | 6204 |
| | ft/in | 20'0" | 20'0" | 20'0" | 20'5" | 20'5" | 20'5" |
| Loader Clearance Circle Radius with Bucket at Carry Position | mm | 7740 | 7813 | 7813 | 7704 | 7813 | 7813 |
| | ft/in | 25'5" | 25'8" | 25'8" | 25'4" | 25'8" | 25'8" |
| Static Tipping Load, Straight (With tire deflection) | kg | 15 597 | 15 396 | 16 003 | 15 833 | 15 661 | 15 942 |
| | lb | 34,377 | 33,933 | 35,271 | 34,896 | 34,517 | 35,138 |
| Static Tipping Load, Straight (No tire deflection) | kg | 16 500 | 16 296 | 16 914 | 16 819 | 16 644 | 16 935 |
| | lb | 36,366 | 35,917 | 37,279 | 37,070 | 36,683 | 37,325 |
| Static Tipping Load, Articulated (With tire deflection) | kg | 13 487 | 13 285 | 13 883 | 13 664 | 13 492 | 13 760 |
| | lb | 29,726 | 29,281 | 30,599 | 30,116 | 29,737 | 30,328 |
| Static Tipping Load, Articulated (No tire deflection) | kg | 14 417 | 14 213 | 14 822 | 14 676 | 14 500 | 14 777 |
| | lb | 31,776 | 31,326 | 32,669 | 32,346 | 31,959 | 32,570 |
| Breakout Force (§) | kN | 180 | 177 | 195 | 188 | 186 | 200 |
| | lbf | 40,607 | 39,946 | 43,848 | 42,268 | 41,890 | 45,003 |
| Operating Weight* | kg | 25 417 | 25 580 | 25 151 | 25 857 | 26 016 | 25 854 |
| | lb | 56,019 | 56,378 | 55,431 | 56,989 | 57,338 | 56,981 |

*Static tipping loads and operating weights shown are based on a machine configuration with Bridgestone 26.5R25 VJT L3 radial tires, full fluids, operator, standard counterweight, ride control, cold start, roading fenders, Product Link™, manual diff lock/open axles (front and rear), power train guard, secondary steering and sound suppression.

† Illustration shown with Dimension charts.

***Rock bucket specifications are given on Bridgestone 26.5R25 VSDL L5 radial tires.

(§) Measured 100 mm (4") behind tip of cutting edge with bucket hinge pin as pivot point in accordance with ISO 14397-2:2007.

(With tire deflection) Full compliance to ISO 14397-1:2007 Sections 1 thru 6, which requires 2% verification between calculations and testing.

(No tire deflection) Compliance to ISO 14397-1:2007 Sections 1 thru 5.

Other buckets are available and offerings vary by region. Consult your local Cat dealer for further details.

966 Wheel Loader Specifications

Operating Specifications – Buckets (continued)

| Linkage | | High Lift Linkage | | | | |
|--|-----------------|------------------------------------|-----------------------------|-----------------------------------|-----------------------------|-----------------------------|
| | | Side Dump – Hook-On – Fusion | Side Dump – Pin-On | Woodchip – Hook-On – Fusion | Woodchip – Pin-On | |
| Bucket Type | | Bolt-On Cutting Edges | Bolt-On Cutting Edges | Bolt-On Cutting Edges | Bolt-On Cutting Edges | Bolt-On Cutting Edges |
| Edge Type | | | | | | |
| Capacity – Rated | m ³ | 3.60 | 3.60 | 11.90 | 8.20 | 11.90 |
| | yd ³ | 4.75 | 4.75 | 15.50 | 10.75 | 15.50 |
| Capacity – Rated at 110% Fill Factor | m ³ | 4.00 | 4.00 | 13.10 | 9.00 | 13.10 |
| | yd ³ | 5.25 | 5.25 | 17.25 | 11.75 | 17.25 |
| Width | mm | 3677 | 3677 | 3943 | 3327 | 3943 |
| | ft/in | 12'0" | 12'0" | 12'11" | 10'11" | 12'11" |
| 16 † Dump Clearance at Maximum Lift and 45° Discharge | mm | 3410 | 3457 | 3000 | 3159 | 3000 |
| | ft/in | 11'2" | 11'4" | 9'10" | 10'4" | 9'10" |
| 17 † Reach at Maximum Lift and 45° Discharge | mm | 1345 | 1270 | 1763 | 1547 | 1707 |
| | ft/in | 4'4" | 4'2" | 5'9" | 5'0" | 5'7" |
| Reach at Level Lift Arm and Bucket Level | mm | 3341 | 3255 | 3926 | 3661 | 3887 |
| | ft/in | 10'11" | 10'8" | 12'10" | 12'0" | 12'9" |
| A † Digging Depth | mm | 75 | 95 | 70 | 110 | 109 |
| | in | 2.9" | 3.7" | 2.7" | 4.3" | 4.3" |
| 12 † Overall Length | mm | 9649 | 9576 | 10 230 | 9992 | 10 217 |
| | ft/in | 31'8" | 31'5" | 33'7" | 32'10" | 33'7" |
| B † Overall Height with Bucket at Maximum Lift | mm | 6413 | 6344 | 7254 | 7031 | 7247 |
| | ft/in | 21'1" | 20'10" | 23'10" | 23'1" | 23'10" |
| Loader Clearance Circle Radius with Bucket at Carry Position | mm | 8075 | 7268 | 8419 | 7942 | 8282 |
| | ft/in | 26'6" | 23'11" | 27'8" | 26'1" | 27'3" |
| Static Tipping Load, Straight (With tire deflection) | kg | 14 208 | 15 851 | 14 293 | 17 188 | 15 956 |
| | lb | 31,315 | 34,937 | 31,503 | 37,882 | 35,169 |
| Static Tipping Load, Straight (No tire deflection) | kg | 15 056 | 16 854 | 15 312 | 18 391 | 17 147 |
| | lb | 33,184 | 37,146 | 33,748 | 40,535 | 37,792 |
| Static Tipping Load, Articulated (With tire deflection) | kg | 12 235 | 13 723 | 12 233 | 14 951 | 13 740 |
| | lb | 26,966 | 30,246 | 26,961 | 32,952 | 30,283 |
| Static Tipping Load, Articulated (No tire deflection) | kg | 13 109 | 14 751 | 13 276 | 16 174 | 14 951 |
| | lb | 28,894 | 32,511 | 29,261 | 35,649 | 32,952 |
| Breakout Force (§) | kN | 161 | 151 | 108 | 118 | 100 |
| | lbf | 36,329 | 34,069 | 24,442 | 26,554 | 22,591 |
| Operating Weight* | kg | 25 824 | 25 287 | 26 147 | 24 662 | 25 682 |
| | lb | 56,916 | 55,733 | 57,626 | 54,353 | 56,602 |

*Static tipping loads and operating weights shown are based on a machine configuration with Bridgestone 26.5R25 VJT L3 radial tires, full fluids, operator, standard counterweight, ride control, cold start, roading fenders, Product Link™, manual diff lock/open axles (front and rear), power train guard, secondary steering and sound suppression.

† Illustration shown with Dimension charts.

***Rock bucket specifications are given on Bridgestone 26.5R25 VSDL L5 radial tires.

(§) Measured 100 mm (4") behind tip of cutting edge with bucket hinge pin as pivot point in accordance with ISO 14397-2:2007.

(With tire deflection) Full compliance to ISO 14397-1:2007 Sections 1 thru 6, which requires 2% verification between calculations and testing.

(No tire deflection) Compliance to ISO 14397-1:2007 Sections 1 thru 5.

Other buckets are available and offerings vary by region. Consult your local Cat dealer for further details.

966 Wheel Loader Specifications

Operating Specifications – Buckets (continued)

| Linkage | | High Lift Linkage | | |
|--|-----------------|-----------------------------|--------------------------------|-----------------------------|
| Bucket Type | | Waste, Dozing – Pin-On | Waste, Load and Carry – Pin-On | Waste, Top Clamp – Pin-On |
| | | Steel Bolt-On Cutting Edges | Steel Bolt-On Cutting Edges | Steel Bolt-On Cutting Edges |
| Edge Type | | | | |
| Capacity – Rated | m ³ | 6.50 | 7.40 | 5.00 |
| | yd ³ | 8.50 | 9.75 | 6.50 |
| Capacity – Rated at 110% Fill Factor | m ³ | 7.20 | 8.10 | 5.50 |
| | yd ³ | 9.50 | 10.50 | 7.25 |
| Width | mm | 3357 | 3357 | 3357 |
| | ft/in | 11'0" | 11'0" | 11'0" |
| 16† Dump Clearance at Maximum Lift and 45° Discharge | mm | 3481 | 3200 | 2987 |
| | ft/in | 11'5" | 10'6" | 9'9" |
| 17† Reach at Maximum Lift and 45° Discharge | mm | 1210 | 1490 | 1704 |
| | ft/in | 3'11" | 4'10" | 5'7" |
| Reach at Level Lift Arm and Bucket Level | mm | 3195 | 3592 | 3894 |
| | ft/in | 10'5" | 11'9" | 12'9" |
| A† Digging Depth | mm | 121 | 81 | 81 |
| | in | 4.7" | 3.1" | 3.1" |
| 12† Overall Length | mm | 9533 | 9930 | 10 232 |
| | ft/in | 31'4" | 32'7" | 33'7" |
| B† Overall Height with Bucket at Maximum Lift | mm | 7130 | 6907 | 6046 |
| | ft/in | 23'5" | 22'8" | 19'11" |
| Loader Clearance Circle Radius with Bucket at Carry Position | mm | 7816 | 7937 | 8032 |
| | ft/in | 25'8" | 26'1" | 26'5" |
| Static Tipping Load, Straight (With tire deflection) | kg | 17 058 | 15 666 | 13 821 |
| | lb | 37,597 | 34,528 | 30,462 |
| Static Tipping Load, Straight (No tire deflection) | kg | 18 296 | 16 768 | 14 749 |
| | lb | 40,324 | 36,957 | 32,508 |
| Static Tipping Load, Articulated (With tire deflection) | kg | 14 733 | 13 478 | 11 779 |
| | lb | 32,472 | 29,707 | 25,962 |
| Static Tipping Load, Articulated (No tire deflection) | kg | 15 989 | 14 604 | 12 736 |
| | lb | 35,241 | 32,187 | 28,071 |
| Breakout Force (§) | kN | 154 | 124 | 101 |
| | lbf | 34,803 | 27,875 | 22,830 |
| Operating Weight* | kg | 25 546 | 25 770 | 26 557 |
| | lb | 56,302 | 56,795 | 58,530 |

*Static tipping loads and operating weights shown are based on a machine configuration with Bridgestone 26.5R25 VJT L3 radial tires, full fluids, operator, standard counterweight, ride control, cold start, roading fenders, Product Link™, manual diff lock/open axles (front and rear), power train guard, secondary steering and sound suppression.

† Illustration shown with Dimension charts.

***Rock bucket specifications are given on Bridgestone 26.5R25 VSDL L5 radial tires.

(§) Measured 100 mm (4") behind tip of cutting edge with bucket hinge pin as pivot point in accordance with ISO 14397-2:2007.

(With tire deflection) Full compliance to ISO 14397-1:2007 Sections 1 thru 6, which requires 2% verification between calculations and testing.

(No tire deflection) Compliance to ISO 14397-1:2007 Sections 1 thru 5.

Other buckets are available and offerings vary by region. Consult your local Cat dealer for further details.

Operating Specifications – Buckets (continued)

| Linkage | | High Lift Linkage | | | | |
|--|-----------------|------------------------------|-----------------------|-----------------------|-----------------------|-----------------------|
| Bucket Type | | High Dump – Hook-On – Fusion | | | | |
| Edge Type | | Bolt-On Cutting Edges | Bolt-On Cutting Edges | Bolt-On Cutting Edges | Bolt-On Cutting Edges | Bolt-On Cutting Edges |
| Capacity – Rated | m ³ | 5.40 | 5.40 | 7.60 | 9.20 | 11.10 |
| | yd ³ | 7.00 | 7.00 | 10.00 | 12.00 | 14.50 |
| Capacity – Rated at 110% Fill Factor | m ³ | 5.90 | 5.90 | 8.40 | 10.10 | 12.20 |
| | yd ³ | 7.75 | 7.75 | 11.00 | 13.25 | 16.00 |
| Width | mm | 3059 | 3059 | 3350 | 3656 | 3656 |
| | ft/in | 10'0" | 10'0" | 10'11" | 11'11" | 11'11" |
| 16 † Dump Clearance at Maximum Lift and 45° Discharge | mm | 3159 | 3159 | 2970 | 2914 | 2758 |
| | ft/in | 10'4" | 10'4" | 9'8" | 9'6" | 9'0" |
| 17 † Reach at Maximum Lift and 45° Discharge | mm | 1544 | 1544 | 1765 | 1822 | 1977 |
| | ft/in | 5'0" | 5'0" | 5'9" | 5'11" | 6'5" |
| Reach at Level Lift Arm and Bucket Level | mm | 3659 | 3659 | 3949 | 4029 | 4249 |
| | ft/in | 12'0" | 12'0" | 12'11" | 13'2" | 13'11" |
| A † Digging Depth | mm | 112 | 112 | 59 | 59 | 59 |
| | in | 4.4" | 4.4" | 2.3" | 2.3" | 2.3" |
| 12 † Overall Length | mm | 9992 | 9992 | 10 266 | 10 346 | 10 566 |
| | ft/in | 32'10" | 32'10" | 33'9" | 34'0" | 34'8" |
| B † Overall Height with Bucket at Maximum Lift | mm | 6752 | 6752 | 6965 | 7047 | 7271 |
| | ft/in | 22'2" | 22'2" | 22'11" | 23'2" | 23'11" |
| Loader Clearance Circle Radius with Bucket at Carry Position | mm | 7852 | 7852 | 8071 | 8232 | 8310 |
| | ft/in | 25'10" | 25'10" | 26'6" | 27'1" | 27'4" |
| Static Tipping Load, Straight (With tire deflection) | kg | 15 312 | 15 312 | 14 628 | 14 379 | 14 095 |
| | lb | 33,749 | 33,749 | 32,240 | 31,691 | 31,067 |
| Static Tipping Load, Straight (No tire deflection) | kg | 16 373 | 16 373 | 15 735 | 15 495 | 15 239 |
| | lb | 36,086 | 36,086 | 34,681 | 34,151 | 33,588 |
| Static Tipping Load, Articulated (With tire deflection) | kg | 13 163 | 13 163 | 12 492 | 12 245 | 11 966 |
| | lb | 29,013 | 29,013 | 27,534 | 26,988 | 26,373 |
| Static Tipping Load, Articulated (No tire deflection) | kg | 14 247 | 14 247 | 13 623 | 13 383 | 13 131 |
| | lb | 31,401 | 31,401 | 30,025 | 29,497 | 28,941 |
| Breakout Force (§) | kN | 115 | 115 | 100 | 95 | 84 |
| | lbf | 25,931 | 25,931 | 22,679 | 21,477 | 19,012 |
| Operating Weight* | kg | 25 850 | 25 850 | 26 431 | 26 647 | 26 854 |
| | lb | 56,974 | 56,974 | 58,254 | 58,730 | 59,187 |

*Static tipping loads and operating weights shown are based on a machine configuration with Bridgestone 26.5R25 VJT L3 radial tires, full fluids, operator, standard counterweight, ride control, cold start, roading fenders, Product Link™, manual diff lock/open axles (front and rear), power train guard, secondary steering and sound suppression.

† Illustration shown with Dimension charts.

***Rock bucket specifications are given on Bridgestone 26.5R25 VSDL L5 radial tires.

(§) Measured 100 mm (4") behind tip of cutting edge with bucket hinge pin as pivot point in accordance with ISO 14397-2:2007.

(With tire deflection) Full compliance to ISO 14397-1:2007 Sections 1 thru 6, which requires 2% verification between calculations and testing.

(No tire deflection) Compliance to ISO 14397-1:2007 Sections 1 thru 5.

Other buckets are available and offerings vary by region. Consult your local Cat dealer for further details.

966 Wheel Loader Specifications

Operating Specifications – Buckets *(continued)*

| Linkage | | High Lift Linkage | | | | | |
|--|-----------------|-----------------------|-----------------------|-----------------------|--------------------------|-----------------------|-----------------------|
| Bucket Type | | High Dump – Pin-On | | | High Dump – Hook-On – SW | | |
| | | Bolt-On Cutting Edges | Bolt-On Cutting Edges | Bolt-On Cutting Edges | Bolt-On Cutting Edges | Bolt-On Cutting Edges | Bolt-On Cutting Edges |
| Edge Type | | | | | | | |
| Capacity – Rated | m ³ | 7.60 | 9.20 | 11.10 | 7.60 | 9.20 | 11.10 |
| | yd ³ | 10.00 | 12.00 | 14.50 | 10.00 | 12.00 | 14.50 |
| Capacity – Rated at 110% Fill Factor | m ³ | 8.40 | 10.10 | 12.20 | 8.40 | 10.10 | 12.20 |
| | yd ³ | 11.00 | 13.25 | 16.00 | 11.00 | 13.25 | 16.00 |
| Width | mm | 3350 | 3656 | 3656 | 3350 | 3656 | 3656 |
| | ft/in | 10'11" | 11'11" | 11'11" | 10'11" | 11'11" | 11'11" |
| 16 † Dump Clearance at Maximum Lift and 45° Discharge | mm | 2984 | 2928 | 2772 | 2939 | 2882 | 2726 |
| | ft/in | 9'9" | 9'7" | 9'1" | 9'7" | 9'5" | 8'11" |
| 17 † Reach at Maximum Lift and 45° Discharge | mm | 1751 | 1808 | 1963 | 1797 | 1854 | 2009 |
| | ft/in | 5'8" | 5'11" | 6'5" | 5'10" | 6'0" | 6'7" |
| Reach at Level Lift Arm and Bucket Level | mm | 3929 | 4009 | 4229 | 3994 | 4074 | 4294 |
| | ft/in | 12'10" | 13'1" | 13'10" | 13'1" | 13'4" | 14'1" |
| A † Digging Depth | mm | 59 | 59 | 59 | 59 | 59 | 59 |
| | in | 2.3" | 2.3" | 2.3" | 2.3" | 2.3" | 2.3" |
| 12 † Overall Length | mm | 10 246 | 10 326 | 10 546 | 10 311 | 10 391 | 10 611 |
| | ft/in | 33'8" | 33'11" | 34'8" | 33'10" | 34'2" | 34'10" |
| B † Overall Height with Bucket at Maximum Lift | mm | 6953 | 7035 | 7258 | 6998 | 7080 | 7304 |
| | ft/in | 22'10" | 23'1" | 23'10" | 23'0" | 23'3" | 24'0" |
| Loader Clearance Circle Radius with Bucket at Carry Position | mm | 8062 | 8223 | 8300 | 8051 | 8210 | 8283 |
| | ft/in | 26'6" | 27'0" | 27'3" | 26'5" | 27'0" | 27'3" |
| Static Tipping Load, Straight (With tire deflection) | kg | 15 081 | 14 833 | 14 546 | 14 534 | 14 287 | 14 004 |
| | lb | 33,239 | 32,693 | 32,061 | 32,033 | 31,489 | 30,864 |
| Static Tipping Load, Straight (No tire deflection) | kg | 16 200 | 15 961 | 15 704 | 15 638 | 15 400 | 15 143 |
| | lb | 35,705 | 35,180 | 34,612 | 34,466 | 33,942 | 33,377 |
| Static Tipping Load, Articulated (With tire deflection) | kg | 12 939 | 12 692 | 12 410 | 12 413 | 12 168 | 11 888 |
| | lb | 28,518 | 27,974 | 27,352 | 27,359 | 26,818 | 26,203 |
| Static Tipping Load, Articulated (No tire deflection) | kg | 14 080 | 13 843 | 13 589 | 13 540 | 13 303 | 13 050 |
| | lb | 31,034 | 30,510 | 29,950 | 29,842 | 29,320 | 28,762 |
| Breakout Force (§) | kN | 102 | 96 | 85 | 98 | 92 | 82 |
| | lbf | 22,962 | 21,744 | 19,238 | 22,046 | 20,883 | 18,509 |
| Operating Weight* | kg | 25 953 | 26 169 | 26 376 | 26 387 | 26 603 | 26 810 |
| | lb | 57,199 | 57,675 | 58,131 | 58,155 | 58,631 | 59,088 |

*Static tipping loads and operating weights shown are based on a machine configuration with Bridgestone 26.5R25 VJT L3 radial tires, full fluids, operator, standard counterweight, ride control, cold start, roading fenders, Product Link™, manual diff lock/open axles (front and rear), power train guard, secondary steering and sound suppression.

† Illustration shown with Dimension charts.

***Rock bucket specifications are given on Bridgestone 26.5R25 VSDL L5 radial tires.

(§) Measured 100 mm (4") behind tip of cutting edge with bucket hinge pin as pivot point in accordance with ISO 14397-2:2007.

(With tire deflection) Full compliance to ISO 14397-1:2007 Sections 1 thru 6, which requires 2% verification between calculations and testing.

(No tire deflection) Compliance to ISO 14397-1:2007 Sections 1 thru 5.

Other buckets are available and offerings vary by region. Consult your local Cat dealer for further details.

966 Wheel Loader Specifications

Operating Specifications – Buckets (continued)

| Linkage | | High Lift Linkage | | | |
|--|-----------------|------------------------------------|-----------------------------|-----------------------------|-----------------------|
| Bucket Type | | High Dump – Hook-On – VCE Large | | | Slag – Pin-On |
| | | Bolt-On Cutting Edges | Bolt-On Cutting Edges | Bolt-On Cutting Edges | Teeth and Segments |
| Edge Type | | | | | |
| Capacity – Rated | m ³ | 7.60 | 9.20 | 11.10 | 3.40 |
| | yd ³ | 10.00 | 12.00 | 14.50 | 4.50 |
| Capacity – Rated at 110% Fill Factor | m ³ | 8.40 | 10.10 | 12.20 | 3.80 |
| | yd ³ | 11.00 | 13.25 | 16.00 | 5.00 |
| Width | mm | 3350 | 3656 | 3656 | 3250 |
| | ft/in | 10'11" | 11'11" | 11'11" | 10'7" |
| 16 † Dump Clearance at Maximum Lift and 45° Discharge | mm | 2897 | 2840 | 2685 | 3609 |
| | ft/in | 9'6" | 9'3" | 8'9" | 11'10" |
| 17 † Reach at Maximum Lift and 45° Discharge | mm | 1857 | 1913 | 2069 | 1356 |
| | ft/in | 6'1" | 6'3" | 6'9" | 4'5" |
| Reach at Level Lift Arm and Bucket Level | mm | 4066 | 4146 | 4366 | 3173 |
| | ft/in | 13'4" | 13'7" | 14'3" | 10'4" |
| A † Digging Depth | mm | 46 | 46 | 46 | 88 |
| | in | 1.8" | 1.8" | 1.8" | 3.4" |
| 12 † Overall Length | mm | 10 374 | 10 454 | 10 674 | 9522 |
| | ft/in | 34'1" | 34'4" | 35'1" | 31'3" |
| B † Overall Height with Bucket at Maximum Lift | mm | 7054 | 7136 | 7360 | 6228 |
| | ft/in | 23'2" | 23'5" | 24'2" | 20'6" |
| Loader Clearance Circle Radius with Bucket at Carry Position | mm | 8094 | 8255 | 8334 | 7769 |
| | ft/in | 26'7" | 27'1" | 27'5" | 25'6" |
| Static Tipping Load, Straight (With tire deflection) | kg | 13 996 | 13 744 | 13 447 | 15 268 |
| | lb | 30,847 | 30,291 | 29,637 | 33,651 |
| Static Tipping Load, Straight (No tire deflection) | kg | 15 068 | 14 822 | 14 547 | 16 288 |
| | lb | 33,210 | 32,668 | 32,063 | 35,900 |
| Static Tipping Load, Articulated (With tire deflection) | kg | 11 919 | 11 669 | 11 378 | 13 033 |
| | lb | 26,270 | 25,719 | 25,079 | 28,725 |
| Static Tipping Load, Articulated (No tire deflection) | kg | 13 014 | 12 771 | 12 502 | 14 079 |
| | lb | 28,684 | 28,147 | 27,554 | 31,031 |
| Breakout Force (§) | kN | 95 | 90 | 80 | 189 |
| | lbf | 21,486 | 20,365 | 18,091 | 42,679 |
| Operating Weight* | kg | 26 597 | 26 812 | 27 020 | 26 760 |
| | lb | 58,618 | 59,092 | 59,550 | 58,977 |

*Static tipping loads and operating weights shown are based on a machine configuration with Bridgestone 26.5R25 VJT L3 radial tires, full fluids, operator, standard counterweight, ride control, cold start, roading fenders, Product Link™, manual diff lock/open axles (front and rear), power train guard, secondary steering and sound suppression.

† Illustration shown with Dimension charts.

***Rock bucket specifications are given on Bridgestone 26.5R25 VSDL L5 radial tires.

(§) Measured 100 mm (4") behind tip of cutting edge with bucket hinge pin as pivot point in accordance with ISO 14397-2:2007.

(With tire deflection) Full compliance to ISO 14397-1:2007 Sections 1 thru 6, which requires 2% verification between calculations and testing.

(No tire deflection) Compliance to ISO 14397-1:2007 Sections 1 thru 5.

Other buckets are available and offerings vary by region. Consult your local Cat dealer for further details.

966 Wheel Loader Specifications

Operating Specifications – Buckets *(continued)*

| Linkage | | Aggregate Handler Linkage | | | |
|--|-----------------|------------------------------------|-----------------------|-----------------------|-----------------------|
| Bucket Type | | General Purpose – Hook-On – Fusion | | | |
| Edge Type | | Bolt-On Cutting Edges | Bolt-On Cutting Edges | Bolt-On Cutting Edges | Bolt-On Cutting Edges |
| Capacity – Rated | m ³ | 4.20 | 3.80 | 4.60 | 4.00 |
| | yd ³ | 5.50 | 5.00 | 6.00 | 5.25 |
| Capacity – Rated at 110% Fill Factor | m ³ | 4.60 | 4.20 | 5.10 | 4.40 |
| | yd ³ | 6.00 | 5.50 | 6.75 | 5.75 |
| Width | mm | 3220 | 3220 | 3220 | 3201 |
| | ft/in | 10'6" | 10'6" | 10'6" | 10'6" |
| 16 † Dump Clearance at Maximum Lift and 45° Discharge | mm | 2970 | 3048 | 2957 | 3035 |
| | ft/in | 9'8" | 10'0" | 9'8" | 9'11" |
| 17 † Reach at Maximum Lift and 45° Discharge | mm | 1395 | 1324 | 1398 | 1327 |
| | ft/in | 4'6" | 4'4" | 4'7" | 4'4" |
| Reach at Level Lift Arm and Bucket Level | mm | 2855 | 2745 | 2865 | 2757 |
| | ft/in | 9'4" | 9'0" | 9'4" | 9'0" |
| A † Digging Depth | mm | 106 | 114 | 113 | 84 |
| | in | 4.2" | 4.5" | 4.4" | 3.3" |
| 12 † Overall Length | mm | 9067 | 8964 | 9083 | 8979 |
| | ft/in | 29'9" | 29'5" | 29'10" | 29'6" |
| B † Overall Height with Bucket at Maximum Lift | mm | 5970 | 5813 | 6048 | 5929 |
| | ft/in | 19'8" | 19'1" | 19'11" | 19'6" |
| Loader Clearance Circle Radius with Bucket at Carry Position | mm | 7539 | 7512 | 7544 | 7508 |
| | ft/in | 24'9" | 24'8" | 24'9" | 24'8" |
| Static Tipping Load, Straight (With tire deflection) | kg | 17 792 | 18 079 | 17 935 | 18 029 |
| | lb | 39,214 | 39,846 | 39,530 | 39,736 |
| Static Tipping Load, Straight (No tire deflection) | kg | 19 021 | 19 309 | 19 213 | 19 274 |
| | lb | 41,923 | 42,559 | 42,346 | 42,480 |
| Static Tipping Load, Articulated (With tire deflection) | kg | 15 543 | 15 807 | 15 655 | 15 757 |
| | lb | 34,257 | 34,840 | 34,503 | 34,730 |
| Static Tipping Load, Articulated (No tire deflection) | kg | 16 786 | 17 052 | 16 944 | 17 015 |
| | lb | 36,998 | 37,582 | 37,346 | 37,503 |
| Breakout Force (§) | kN | 166 | 180 | 164 | 190 |
| | lbf | 37,396 | 40,648 | 37,021 | 42,726 |
| Operating Weight* | kg | 24 218 | 24 154 | 24 332 | 24 202 |
| | lb | 53,375 | 53,235 | 53,627 | 53,341 |

*Static tipping loads and operating weights shown are based on a machine configuration with Bridgestone 26.5R25 VJT L3 radial tires, full fluids, operator, aggregate counterweight, ride control, cold start, roading fenders, Product Link, manual diff lock/open axles (front and rear), power train guard, secondary steering and sound suppression. If a rock bucket is added, these values are with Bridgestone 26.5R25 VSDL L5 tires.

** Aggregate Handler configuration is not compatible with spade nose rock buckets and high lift.

† Illustration shown with Dimension charts.

(§) Measured 100 mm (4") behind tip of cutting edge with bucket hinge pin as pivot point in accordance with ISO 14397-2:2007.

(With tire deflection) Full compliance to ISO 14397-1:2007 Sections 1 thru 6, which requires 2% verification between calculations and testing.

(No tire deflection) Compliance to ISO 14397-1:2007 Sections 1 thru 5.

Other buckets are available and offerings vary by region. Consult your local Cat dealer for further details.

966 Wheel Loader Specifications

Operating Specifications – Buckets (continued)

| Linkage | | Aggregate Handler Linkage | | | | | |
|--|-----------------|---------------------------|-----------------------|-----------------------|-----------------------|---------------------------------------|-----------------------|
| Bucket Type | | General Purpose – Pin-On | | | | General Purpose – Hook-On – VCE Large | |
| Edge Type | | Bolt-On Cutting Edges | Bolt-On Cutting Edges | Bolt-On Cutting Edges | Bolt-On Cutting Edges | Bolt-On Cutting Edges | Bolt-On Cutting Edges |
| Capacity – Rated | m ³ | 4.60 | 3.80 | 4.20 | 4.00 | 4.00 | 4.40 |
| | yd ³ | 6.00 | 5.00 | 5.50 | 5.25 | 5.25 | 5.75 |
| Capacity – Rated at 110% Fill Factor | m ³ | 5.10 | 4.20 | 4.60 | 4.40 | 4.40 | 4.80 |
| | yd ³ | 6.75 | 5.50 | 6.00 | 5.75 | 5.75 | 6.25 |
| Width | mm | 3264 | 3220 | 3220 | 3220 | 3220 | 3220 |
| | ft/in | 10'8" | 10'6" | 10'6" | 10'6" | 10'6" | 10'6" |
| 16 † Dump Clearance at Maximum Lift and 45° Discharge | mm | 2987 | 3077 | 3001 | 3068 | 2915 | 2851 |
| | ft/in | 9'9" | 10'1" | 9'10" | 10'0" | 9'6" | 9'4" |
| 17 † Reach at Maximum Lift and 45° Discharge | mm | 1361 | 1289 | 1350 | 1296 | 1484 | 1530 |
| | ft/in | 4'5" | 4'2" | 4'5" | 4'3" | 4'10" | 5'0" |
| Reach at Level Lift Arm and Bucket Level | mm | 2818 | 2701 | 2800 | 2712 | 2954 | 3034 |
| | ft/in | 9'2" | 8'10" | 9'2" | 8'10" | 9'8" | 9'11" |
| A † Digging Depth | mm | 114 | 114 | 114 | 114 | 108 | 108 |
| | in | 4.5" | 4.5" | 4.5" | 4.5" | 4.2" | 4.2" |
| 12 † Overall Length | mm | 9037 | 8919 | 9018 | 8931 | 9168 | 9248 |
| | ft/in | 29'8" | 29'4" | 29'8" | 29'4" | 30'1" | 30'5" |
| B † Overall Height with Bucket at Maximum Lift | mm | 6021 | 5787 | 5898 | 5898 | 5988 | 6106 |
| | ft/in | 19'10" | 19'0" | 19'5" | 19'5" | 19'8" | 20'1" |
| Loader Clearance Circle Radius with Bucket at Carry Position | mm | 7537 | 7488 | 7512 | 7491 | 7551 | 7574 |
| | ft/in | 24'9" | 24'7" | 24'8" | 24'7" | 24'10" | 24'11" |
| Static Tipping Load, Straight (With tire deflection) | kg | 18 444 | 18 678 | 18 449 | 18 662 | 16 893 | 16 753 |
| | lb | 40,651 | 41,167 | 40,661 | 41,133 | 37,233 | 36,924 |
| Static Tipping Load, Straight (No tire deflection) | kg | 19 733 | 19 935 | 19 708 | 19 930 | 18 074 | 17 950 |
| | lb | 43,491 | 43,938 | 43,436 | 43,927 | 39,835 | 39,562 |
| Static Tipping Load, Articulated (With tire deflection) | kg | 16 143 | 16 378 | 16 160 | 16 358 | 14 725 | 14 585 |
| | lb | 35,579 | 36,097 | 35,617 | 36,054 | 32,454 | 32,147 |
| Static Tipping Load, Articulated (No tire deflection) | kg | 17 444 | 17 647 | 17 432 | 17 638 | 15 922 | 15 799 |
| | lb | 38,447 | 38,895 | 38,420 | 38,875 | 35,092 | 34,821 |
| Breakout Force (§) | kN | 170 | 187 | 173 | 185 | 153 | 145 |
| | lbf | 38,302 | 42,167 | 38,999 | 41,712 | 34,572 | 32,680 |
| Operating Weight* | kg | 23 930 | 23 739 | 23 847 | 23 791 | 24 422 | 24 528 |
| | lb | 52,741 | 52,321 | 52,559 | 52,435 | 53,826 | 54,060 |

*Static tipping loads and operating weights shown are based on a machine configuration with Bridgestone 26.5R25 VJT L3 radial tires, full fluids, operator, aggregate counterweight, ride control, cold start, roading fenders, Product Link, manual diff lock/open axles (front and rear), power train guard, secondary steering and sound suppression. If a rock bucket is added, these values are with Bridgestone 26.5R25 VSDL L5 tires.

** Aggregate Handler configuration is not compatible with spade nose rock buckets and high lift.

† Illustration shown with Dimension charts.

(§) Measured 100 mm (4") behind tip of cutting edge with bucket hinge pin as pivot point in accordance with ISO 14397-2:2007.

(With tire deflection) Full compliance to ISO 14397-1:2007 Sections 1 thru 6, which requires 2% verification between calculations and testing.

(No tire deflection) Compliance to ISO 14397-1:2007 Sections 1 thru 5.

Other buckets are available and offerings vary by region. Consult your local Cat dealer for further details.

966 Wheel Loader Specifications

Operating Specifications – Buckets *(continued)*

| Linkage | | Aggregate Handler Linkage | | | | | |
|--|-----------------|--------------------------------------|-----------------------|-----------------------|-----------------------|-----------------------|-----------------------|
| Bucket Type | | Material Handling – Hook-On – Fusion | | | | | |
| Edge Type | | Bolt-On Cutting Edges | Bolt-On Cutting Edges | Bolt-On Cutting Edges | Bolt-On Cutting Edges | Bolt-On Cutting Edges | Bolt-On Cutting Edges |
| Capacity – Rated | m ³ | 4.20 | 4.20 | 4.80 | 4.40 | 4.40 | 4.20 |
| | yd ³ | 5.50 | 5.50 | 6.25 | 5.75 | 5.75 | 5.50 |
| Capacity – Rated at 110% Fill Factor | m ³ | 4.60 | 4.60 | 5.30 | 4.80 | 4.80 | 4.60 |
| | yd ³ | 6.00 | 6.00 | 7.00 | 6.25 | 6.25 | 6.00 |
| Width | mm | 3243 | 3220 | 3220 | 3220 | 3220 | 2995 |
| | ft/in | 10'7" | 10'6" | 10'6" | 10'6" | 10'6" | 9'9" |
| 16 † Dump Clearance at Maximum Lift and 45° Discharge | mm | 3001 | 2909 | 2824 | 4266 | 2882 | 4272 |
| | ft/in | 9'10" | 9'6" | 9'3" | 13'11" | 9'5" | 14'0" |
| 17 † Reach at Maximum Lift and 45° Discharge | mm | 1206 | 1293 | 1378 | 2038 | 1320 | 2066 |
| | ft/in | 3'11" | 4'2" | 4'6" | 6'8" | 4'3" | 6'9" |
| Reach at Level Lift Arm and Bucket Level | mm | 2716 | 2842 | 2962 | 2875 | 2881 | 2904 |
| | ft/in | 8'10" | 9'3" | 9'8" | 9'5" | 9'5" | 9'6" |
| A † Digging Depth | mm | 111 | 114 | 114 | 118 | 114 | 118 |
| | in | 4.3" | 4.5" | 4.5" | 4.6" | 4.5" | 4.6" |
| 12 † Overall Length | mm | 8932 | 9061 | 9181 | 9097 | 9099 | 9126 |
| | ft/in | 29'4" | 29'9" | 30'2" | 29'11" | 29'11" | 30'0" |
| B † Overall Height with Bucket at Maximum Lift | mm | 5872 | 5953 | 6076 | 5978 | 5983 | 6005 |
| | ft/in | 19'4" | 19'7" | 20'0" | 19'8" | 19'8" | 19'9" |
| Loader Clearance Circle Radius with Bucket at Carry Position | mm | 7514 | 7538 | 7571 | 7520 | 7549 | 7424 |
| | ft/in | 24'8" | 24'9" | 24'11" | 24'9" | 24'10" | 24'5" |
| Static Tipping Load, Straight (With tire deflection) | kg | 18 495 | 17 673 | 17 448 | 18 032 | 17 596 | 17 825 |
| | lb | 40,764 | 38,951 | 38,457 | 39,743 | 38,781 | 39,287 |
| Static Tipping Load, Straight (No tire deflection) | kg | 19 782 | 18 893 | 18 688 | 19 323 | 18 823 | 19 117 |
| | lb | 43,601 | 41,642 | 41,189 | 42,588 | 41,486 | 42,134 |
| Static Tipping Load, Articulated (With tire deflection) | kg | 16 187 | 15 432 | 15 213 | 15 741 | 15 356 | 15 536 |
| | lb | 35,677 | 34,012 | 33,531 | 34,694 | 33,846 | 34,243 |
| Static Tipping Load, Articulated (No tire deflection) | kg | 17 486 | 16 667 | 16 467 | 17 044 | 16 598 | 16 840 |
| | lb | 38,540 | 36,735 | 36,294 | 37,566 | 36,582 | 37,117 |
| Breakout Force (§) | kN | 185 | 167 | 153 | 161 | 162 | 157 |
| | lbf | 41,638 | 37,690 | 34,540 | 36,279 | 36,614 | 35,380 |
| Operating Weight* | kg | 24 035 | 24 303 | 24 443 | 24 364 | 24 358 | 24 546 |
| | lb | 52,972 | 53,564 | 53,871 | 53,698 | 53,684 | 54,099 |

*Static tipping loads and operating weights shown are based on a machine configuration with Bridgestone 26.5R25 VJT L3 radial tires, full fluids, operator, aggregate counterweight, ride control, cold start, roading fenders, Product Link, manual diff lock/open axles (front and rear), power train guard, secondary steering and sound suppression. If a rock bucket is added, these values are with Bridgestone 26.5R25 VSDL L5 tires.

** Aggregate Handler configuration is not compatible with spade nose rock buckets and high lift.

† Illustration shown with Dimension charts.

(§) Measured 100 mm (4") behind tip of cutting edge with bucket hinge pin as pivot point in accordance with ISO 14397-2:2007.

(With tire deflection) Full compliance to ISO 14397-1:2007 Sections 1 thru 6, which requires 2% verification between calculations and testing.

(No tire deflection) Compliance to ISO 14397-1:2007 Sections 1 thru 5.

Other buckets are available and offerings vary by region. Consult your local Cat dealer for further details.

966 Wheel Loader Specifications

Operating Specifications – Buckets (continued)

| Linkage | | Aggregate Handler Linkage | | | | | | |
|--|-----------------|----------------------------|-----------------------|-----------------------|-----------------------|-----------------------|-----------------------|-----------------------|
| Bucket Type | | Material Handling – Pin-On | | | | | | |
| Edge Type | | Bolt-On Cutting Edges | Bolt-On Cutting Edges | Bolt-On Cutting Edges | Bolt-On Cutting Edges | Bolt-On Cutting Edges | Bolt-On Cutting Edges | Bolt-On Cutting Edges |
| Capacity – Rated | m ³ | 4.60 | 4.60 | 4.20 | 4.80 | 4.80 | 4.40 | 4.20 |
| | yd ³ | 6.00 | 6.00 | 5.50 | 6.25 | 6.25 | 5.75 | 5.50 |
| Capacity – Rated at 110% Fill Factor | m ³ | 5.10 | 5.10 | 4.60 | 5.30 | 5.30 | 4.80 | 4.60 |
| | yd ³ | 6.75 | 6.75 | 6.00 | 7.00 | 7.00 | 6.25 | 6.00 |
| Width | mm | 3220 | 3220 | 3220 | 3220 | 3220 | 3220 | 2995 |
| | ft/in | 10'6" | 10'6" | 10'6" | 10'6" | 10'6" | 10'6" | 9'9" |
| 16 † Dump Clearance at Maximum Lift and 45° Discharge | mm | 2903 | 2903 | 2959 | 2875 | 2875 | 2931 | 2904 |
| | ft/in | 9'6" | 9'6" | 9'8" | 9'5" | 9'5" | 9'7" | 9'6" |
| 17 † Reach at Maximum Lift and 45° Discharge | mm | 1299 | 1299 | 1242 | 1327 | 1327 | 1271 | 1298 |
| | ft/in | 4'3" | 4'3" | 4'0" | 4'4" | 4'4" | 4'2" | 4'3" |
| Reach at Level Lift Arm and Bucket Level | mm | 2851 | 2851 | 2771 | 2891 | 2891 | 2811 | 2849 |
| | ft/in | 9'4" | 9'4" | 9'1" | 9'5" | 9'5" | 9'2" | 9'4" |
| A † Digging Depth | mm | 114 | 114 | 114 | 114 | 114 | 114 | 114 |
| | in | 4.5" | 4.5" | 4.5" | 4.5" | 4.5" | 4.5" | 4.5" |
| 12 † Overall Length | mm | 9069 | 9069 | 8989 | 9109 | 9109 | 9029 | 9068 |
| | ft/in | 29'10" | 29'10" | 29'6" | 29'11" | 29'11" | 29'8" | 29'9" |
| B † Overall Height with Bucket at Maximum Lift | mm | 5984 | 5992 | 5911 | 6025 | 6033 | 5941 | 5984 |
| | ft/in | 19'8" | 19'8" | 19'5" | 19'10" | 19'10" | 19'6" | 19'8" |
| Loader Clearance Circle Radius with Bucket at Carry Position | mm | 7524 | 7524 | 7504 | 7534 | 7534 | 7514 | 7420 |
| | ft/in | 24'9" | 24'9" | 24'8" | 24'9" | 24'9" | 24'8" | 24'5" |
| Static Tipping Load, Straight (With tire deflection) | kg | 18 112 | 18 215 | 18 362 | 18 033 | 18 140 | 18 280 | 18 222 |
| | lb | 39,919 | 40,147 | 40,470 | 39,744 | 39,981 | 40,289 | 40,162 |
| Static Tipping Load, Straight (No tire deflection) | kg | 19 346 | 19 465 | 19 598 | 19 272 | 19 396 | 19 522 | 19 454 |
| | lb | 42,638 | 42,901 | 43,194 | 42,477 | 42,750 | 43,028 | 42,877 |
| Static Tipping Load, Articulated (With tire deflection) | kg | 15 854 | 15 946 | 16 088 | 15 778 | 15 873 | 16 008 | 15 965 |
| | lb | 34,943 | 35,145 | 35,460 | 34,775 | 34,984 | 35,282 | 35,188 |
| Static Tipping Load, Articulated (No tire deflection) | kg | 17 102 | 17 209 | 17 338 | 17 031 | 17 142 | 17 264 | 17 211 |
| | lb | 37,694 | 37,928 | 38,213 | 37,538 | 37,782 | 38,051 | 37,934 |
| Breakout Force (§) | kN | 166 | 166 | 177 | 162 | 162 | 171 | 167 |
| | lbf | 37,507 | 37,495 | 39,850 | 36,416 | 36,405 | 38,633 | 37,650 |
| Operating Weight* | kg | 23 943 | 23 932 | 23 844 | 23 989 | 23 979 | 23 898 | 23 830 |
| | lb | 52,770 | 52,746 | 52,552 | 52,871 | 52,848 | 52,670 | 52,521 |

*Static tipping loads and operating weights shown are based on a machine configuration with Bridgestone 26.5R25 VJT L3 radial tires, full fluids, operator, aggregate counterweight, ride control, cold start, roading fenders, Product Link, manual diff lock/open axles (front and rear), power train guard, secondary steering and sound suppression. If a rock bucket is added, these values are with Bridgestone 26.5R25 VSDL L5 tires.

** Aggregate Handler configuration is not compatible with spade nose rock buckets and high lift.

† Illustration shown with Dimension charts.

(§) Measured 100 mm (4") behind tip of cutting edge with bucket hinge pin as pivot point in accordance with ISO 14397-2:2007.

(With tire deflection) Full compliance to ISO 14397-1:2007 Sections 1 thru 6, which requires 2% verification between calculations and testing.

(No tire deflection) Compliance to ISO 14397-1:2007 Sections 1 thru 5.

Other buckets are available and offerings vary by region. Consult your local Cat dealer for further details.

966 Wheel Loader Specifications

Operating Specifications – Buckets *(continued)*

| Linkage | | Aggregate Handler Linkage | | | | | |
|--|-----------------|----------------------------|-----------------------|-----------------------|---|-----------------------|-----------------------|
| Bucket Type | Edge Type | Material Handling – Pin-On | | | Material Handling – Hook-On – VCE Large | | |
| | | Bolt-On Cutting Edges | Bolt-On Cutting Edges | Bolt-On Cutting Edges | Bolt-On Cutting Edges | Bolt-On Cutting Edges | Bolt-On Cutting Edges |
| Capacity – Rated | m ³ | 4.60 | 4.60 | 4.60 | 4.20 | 4.60 | 4.80 |
| | yd ³ | 6.00 | 6.00 | 6.00 | 5.50 | 6.00 | 6.25 |
| Capacity – Rated at 110% Fill Factor | m ³ | 5.10 | 5.10 | 5.10 | 4.60 | 5.10 | 5.30 |
| | yd ³ | 6.75 | 6.75 | 6.75 | 6.00 | 6.75 | 7.00 |
| Width | mm | 3220 | 2995 | 2995 | 3220 | 3220 | 3230 |
| | ft/in | 10'6" | 9'9" | 9'9" | 10'6" | 10'6" | 10'7" |
| 16 † Dump Clearance at Maximum Lift and 45° Discharge | mm | 2903 | 2855 | 2855 | 2803 | 2747 | 2676 |
| | ft/in | 9'6" | 9'4" | 9'4" | 9'2" | 9'0" | 8'9" |
| 17 † Reach at Maximum Lift and 45° Discharge | mm | 1299 | 1347 | 1347 | 1407 | 1463 | 1530 |
| | ft/in | 4'3" | 4'5" | 4'5" | 4'7" | 4'9" | 5'0" |
| Reach at Level Lift Arm and Bucket Level | mm | 2851 | 2919 | 2919 | 2997 | 3077 | 3175 |
| | ft/in | 9'4" | 9'6" | 9'6" | 9'10" | 10'1" | 10'5" |
| A † Digging Depth | mm | 114 | 114 | 114 | 108 | 108 | 111 |
| | in | 4.5" | 4.5" | 4.5" | 4.2" | 4.2" | 4.3" |
| 12 † Overall Length | mm | 9069 | 9138 | 9138 | 9211 | 9291 | 9391 |
| | ft/in | 29'10" | 30'0" | 30'0" | 30'3" | 30'6" | 30'10" |
| B † Overall Height with Bucket at Maximum Lift | mm | 5984 | 6057 | 6057 | 6057 | 6139 | 6225 |
| | ft/in | 19'8" | 19'11" | 19'11" | 19'11" | 20'2" | 20'6" |
| Loader Clearance Circle Radius with Bucket at Carry Position | mm | 7524 | 7438 | 7438 | 7563 | 7586 | 7606 |
| | ft/in | 24'9" | 24'5" | 24'5" | 24'10" | 24'11" | 25'0" |
| Static Tipping Load, Straight (With tire deflection) | kg | 17 576 | 18 100 | 17 602 | 16 673 | 16 519 | 16 303 |
| | lb | 38,739 | 39,894 | 38,796 | 36,748 | 36,408 | 35,932 |
| Static Tipping Load, Straight (No tire deflection) | kg | 18 801 | 19 350 | 18 842 | 17 840 | 17 696 | 17 507 |
| | lb | 41,439 | 42,648 | 41,529 | 39,319 | 39,002 | 38,587 |
| Static Tipping Load, Articulated (With tire deflection) | kg | 15 319 | 15 845 | 15 346 | 14 520 | 14 371 | 14 155 |
| | lb | 33,764 | 34,922 | 33,824 | 32,003 | 31,674 | 31,199 |
| Static Tipping Load, Articulated (No tire deflection) | kg | 16 558 | 17 108 | 16 600 | 15 704 | 15 564 | 15 377 |
| | lb | 36,494 | 37,706 | 36,587 | 34,612 | 34,305 | 33,891 |
| Breakout Force (§) | kN | 164 | 159 | 157 | 149 | 141 | 131 |
| | lbf | 37,055 | 35,756 | 35,358 | 33,513 | 31,732 | 29,533 |
| Operating Weight* | kg | 24 413 | 23 920 | 24 352 | 24 520 | 24 613 | 24 786 |
| | lb | 53,806 | 52,719 | 53,671 | 54,042 | 54,247 | 54,628 |

*Static tipping loads and operating weights shown are based on a machine configuration with Bridgestone 26.5R25 VJT L3 radial tires, full fluids, operator, aggregate counterweight, ride control, cold start, roading fenders, Product Link, manual diff lock/open axles (front and rear), power train guard, secondary steering and sound suppression. If a rock bucket is added, these values are with Bridgestone 26.5R25 VSDL L5 tires.

** Aggregate Handler configuration is not compatible with spade nose rock buckets and high lift.

† Illustration shown with Dimension charts.

(§) Measured 100 mm (4") behind tip of cutting edge with bucket hinge pin as pivot point in accordance with ISO 14397-2:2007.

(With tire deflection) Full compliance to ISO 14397-1:2007 Sections 1 thru 6, which requires 2% verification between calculations and testing.

(No tire deflection) Compliance to ISO 14397-1:2007 Sections 1 thru 5.

Other buckets are available and offerings vary by region. Consult your local Cat dealer for further details.

966 Wheel Loader Specifications

Fork Specifications

Fork Specifications

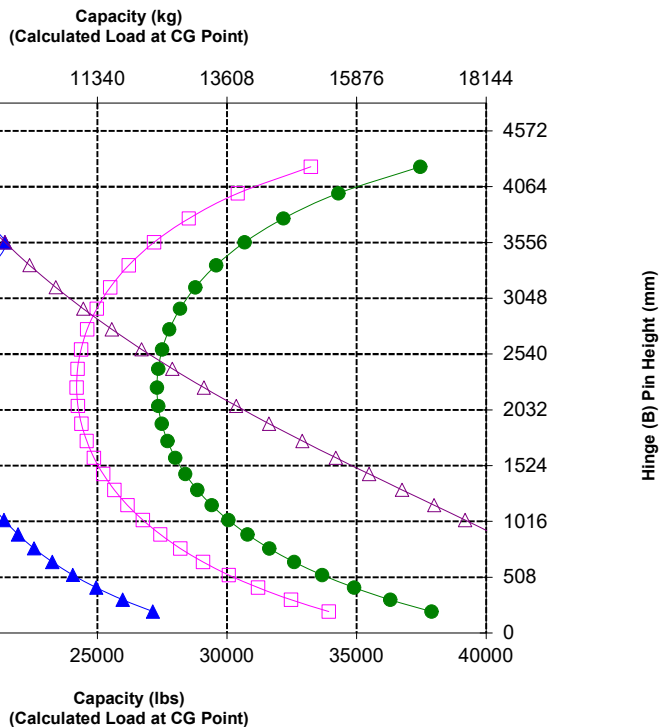
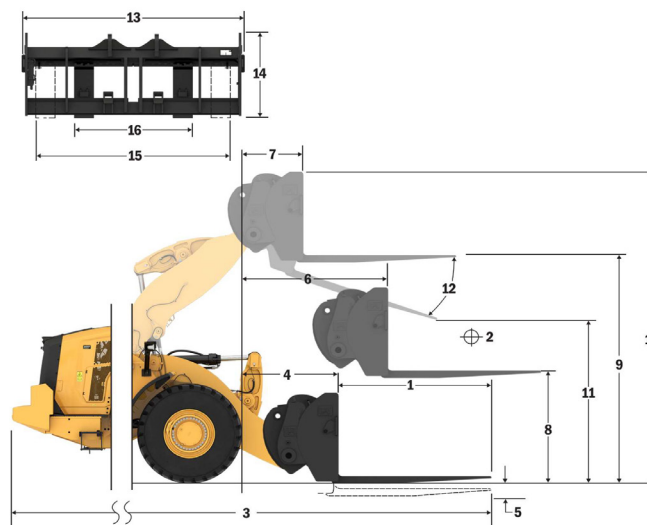
| | | | |
|----|---|-----|-------|
| 1 | Tine Length | mm | 1524 |
| | | in | 60.0 |
| 2 | Load Center | mm | 762 |
| | | in | 30.0 |
| | Static Tipping Load - Straight (Forks Level) | kq | 12382 |
| | | lbs | 27289 |
| | Static Tipping Load - Articulated (Forks Level) | kq | 10976 |
| | | lbs | 24192 |
| | Rated Load (SAE J1197 - 50% FTSTL) | kq | 5488 |
| | | lbs | 12096 |
| | Rated Load (CEN EN 474-3 Rough Terrain - 60% FTSTL) | kq | 6586 |
| | | lbs | 14515 |
| | Rated Load (CEN EN 474-3 Firm and Level Ground - 80% FTSTL) | kq | 8656 |
| | | lbs | 19078 |
| 3 | Maximum Overall Length | mm | 9359 |
| | | in | 368.5 |
| 4 | Reach with Forks at Ground Level | mm | 1126 |
| | | in | 44.3 |
| 5 | *Ground to Bottom of Tine at Minimum Height and Fork Level | mm | -166 |
| | | in | -6.5 |
| 6 | Reach with Arms Horizontal and Forks Level | mm | 1694 |
| | | in | 66.7 |
| 7 | Reach with Fork at Maximum Height | mm | 826 |
| | | in | 32.5 |
| 8 | Ground to Top of Tine with Arms Horizontal and Fork Level | mm | 1866 |
| | | in | 73.4 |
| 9 | Ground to Top of Tine at Maximum Height and Fork Level | mm | 3949 |
| | | in | 155.5 |
| 10 | Overall Height of Fork at Full Lift (top of carriage to ground) | mm | 4724 |
| | | in | 186.0 |
| 11 | Clearance at Full Lift and Max Dump | mm | 2652 |
| | | in | 104.4 |
| 12 | Max Discharge Angle from Horizontal | deg | 43 |
| 13 | Overall Carriage Width | mm | 2217 |
| | | in | 87.3 |
| 14 | Overall Carriage Height | mm | 840 |
| | | in | 33.1 |
| 15 | Outside Tine Width (max spread) | mm | 2070 |
| | | in | 81.5 |
| 16 | Outside Tine Width (min spread) | mm | 470 |
| | | in | 18.5 |
| | Tine Width (single tine) | mm | 150.0 |
| | | in | 5.9 |
| | Tine Thickness | mm | 65.0 |
| | | in | 2.6 |
| | Tine Capacity | kq | 6300 |
| | | lbs | 13885 |
| | Operating Weight | kq | 22225 |
| | | lbs | 48983 |

*Negative values indicate below grade

966 STD Pallet Fork, FUSION

87" Carriage
530-1861

60" Tine
548-3265



WARNING: Do not exceed tine load capacity. Individual tine capacity is stamped on the side of each tine.

966 Wheel Loader Specifications

Fork Specifications

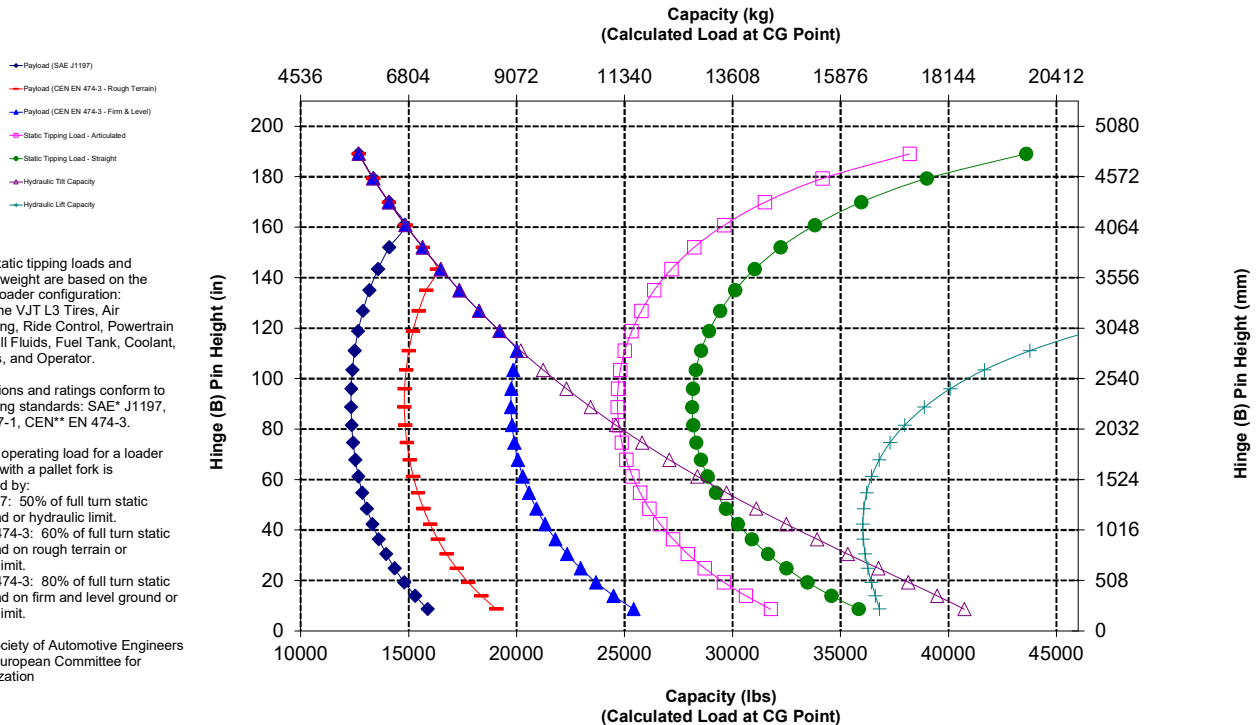
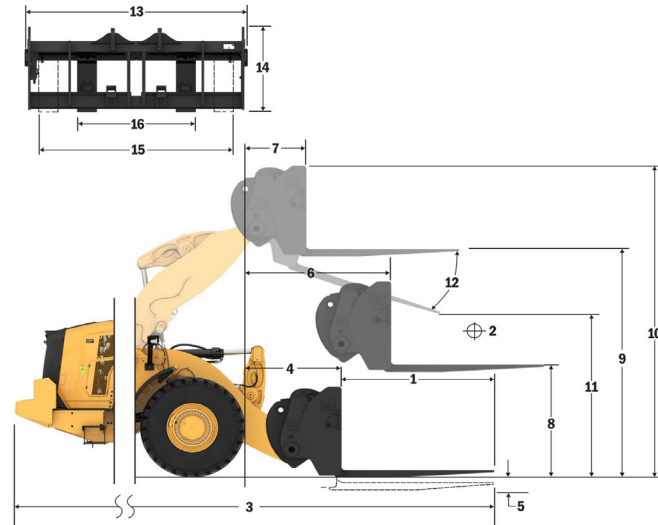
Fork Specifications

| | | | |
|----|---|-----|-------|
| 1 | Tine Length | mm | 1524 |
| | | in | 60.0 |
| 2 | Load Center | mm | 762 |
| | | in | 30.0 |
| | Static Tipping Load - Straight (Forks Level) | kq | 12757 |
| | | lbs | 28117 |
| | Static Tipping Load - Articulated (Forks Level) | kq | 11191 |
| | | lbs | 24665 |
| | Rated Load (SAE J1197 - 50% FTSTL) | kq | 5596 |
| | | lbs | 12333 |
| | Rated Load (CEN EN 474-3 Rough Terrain - 60% FTSTL) | kq | 5754 |
| | | lbs | 12682 |
| | Rated Load (CEN EN 474-3 Firm and Level Ground - 80% FTSTL) | kq | 5754 |
| | | lbs | 12682 |
| 3 | Maximum Overall Length | mm | 10012 |
| | | in | 394.2 |
| 4 | Reach with Forks at Ground Level | mm | 1612 |
| | | in | 63.5 |
| 5 | *Ground to Bottom of Tine at Minimum Height and Fork Level | mm | -141 |
| | | in | -5.6 |
| 6 | Reach with Arms Horizontal and Forks Level | mm | 2098 |
| | | in | 82.6 |
| 7 | Reach with Fork at Maximum Height | mm | 802 |
| | | in | 31.6 |
| 8 | Ground to Top of Tine with Arms Horizontal and Fork Level | mm | 1866 |
| | | in | 73.4 |
| 9 | Ground to Top of Tine at Maximum Height and Fork Level | mm | 4507 |
| | | in | 177.4 |
| 10 | Overall Height of Fork at Full Lift (top of carriage to ground) | mm | 5292 |
| | | in | 208.0 |
| 11 | Clearance at Full Lift and Max Dump | mm | 3189 |
| | | in | 125.6 |
| 12 | Max Discharge Angle from Horizontal | deg | 44 |
| 13 | Overall Carriage Width | mm | 2217 |
| | | in | 87.3 |
| 14 | Overall Carriage Height | mm | 840 |
| | | in | 33.1 |
| 15 | Outside Tine Width (max spread) | mm | 2070 |
| | | in | 81.5 |
| 16 | Outside Tine Width (min spread) | mm | 470 |
| | | in | 18.5 |
| | Tine Width (single tine) | mm | 150.0 |
| | | in | 5.9 |
| | Tine Thickness | mm | 65.0 |
| | | in | 2.6 |
| | Tine Capacity | kq | 6300 |
| | | lbs | 13885 |
| | Operating Weight | kq | 23877 |
| | | lbs | 52625 |

*Negative values indicate below grade

966 HL Pallet Fork, FUSION

87" Carriage 60" Tine
530-1861 548-3265



WARNING: Do not exceed tine load capacity. Individual tine capacity is stamped on the side of each tine.

966 Wheel Loader Specifications

Fork Specifications

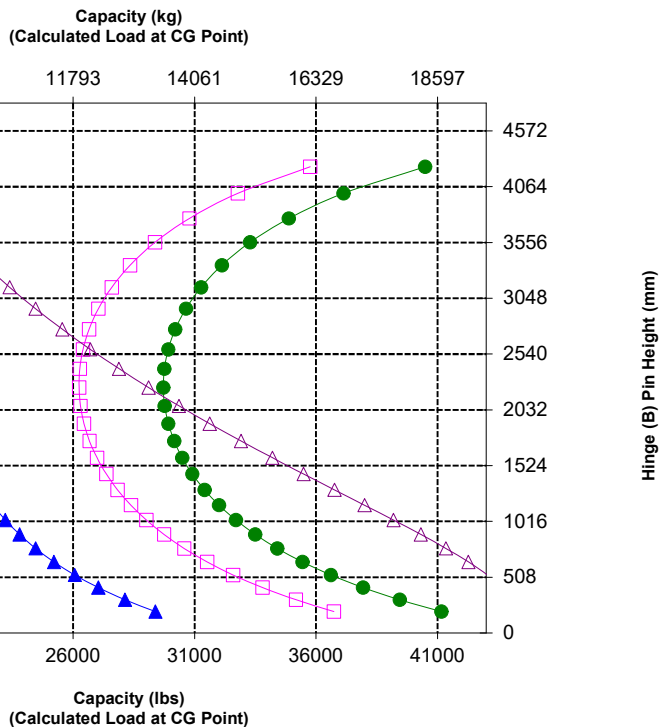
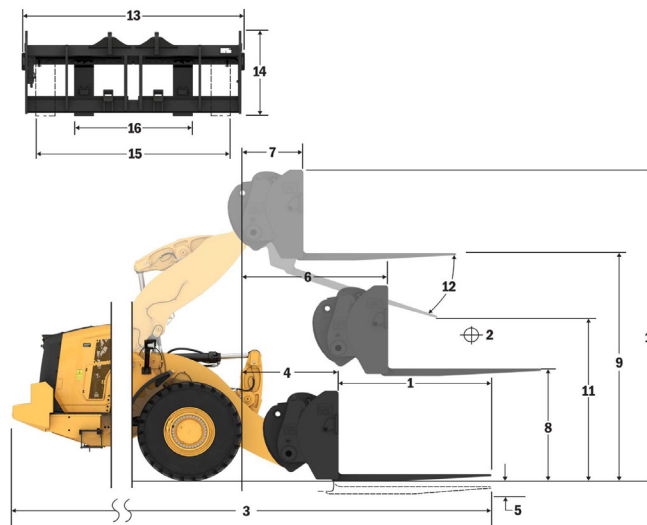
Fork Specifications

| | | | |
|----|---|-----|-------|
| 1 | Tine Length | mm | 1524 |
| | | in | 60.0 |
| 2 | Load Center | mm | 762 |
| | | in | 30.0 |
| | Static Tipping Load - Straight (Forks Level) | kq | 13477 |
| | | lbs | 29703 |
| | Static Tipping Load - Articulated (Forks Level) | kq | 11905 |
| | | lbs | 26238 |
| | Rated Load (SAE J1197 - 50% FTSTL) | kq | 5952 |
| | | lbs | 13119 |
| | Rated Load (CEN EN 474-3 Rough Terrain - 60% FTSTL) | kq | 7143 |
| | | lbs | 15743 |
| | Rated Load (CEN EN 474-3 Firm and Level Ground - 80% FTSTL) | kq | 8656 |
| | | lbs | 19078 |
| 3 | Maximum Overall Length | mm | 9526 |
| | | in | 375.0 |
| 4 | Reach with Forks at Ground Level | mm | 1126 |
| | | in | 44.3 |
| 5 | *Ground to Bottom of Tine at Minimum Height and Fork Level | mm | -166 |
| | | in | -6.5 |
| 6 | Reach with Arms Horizontal and Forks Level | mm | 1694 |
| | | in | 66.7 |
| 7 | Reach with Fork at Maximum Height | mm | 826 |
| | | in | 32.5 |
| 8 | Ground to Top of Tine with Arms Horizontal and Fork Level | mm | 1866 |
| | | in | 73.4 |
| 9 | Ground to Top of Tine at Maximum Height and Fork Level | mm | 3949 |
| | | in | 155.5 |
| 10 | Overall Height of Fork at Full Lift (top of carriage to ground) | mm | 4724 |
| | | in | 186.0 |
| 11 | Clearance at Full Lift and Max Dump | mm | 2652 |
| | | in | 104.4 |
| 12 | Max Discharge Angle from Horizontal | deg | 43 |
| 13 | Overall Carriage Width | mm | 2217 |
| | | in | 87.3 |
| 14 | Overall Carriage Height | mm | 840 |
| | | in | 33.1 |
| 15 | Outside Tine Width (max spread) | mm | 2070 |
| | | in | 81.5 |
| 16 | Outside Tine Width (min spread) | mm | 470 |
| | | in | 18.5 |
| | Tine Width (single tine) | mm | 150.0 |
| | | in | 5.9 |
| | Tine Thickness | mm | 65.0 |
| | | in | 2.6 |
| | Tine Capacity | kq | 6300 |
| | | lbs | 13885 |
| | Operating Weight | kq | 22876 |
| | | lbs | 50418 |

*Negative values indicate below grade

966 AGG Pallet Fork, FUSION

87" Carriage 60" Tine
530-1861 548-3265



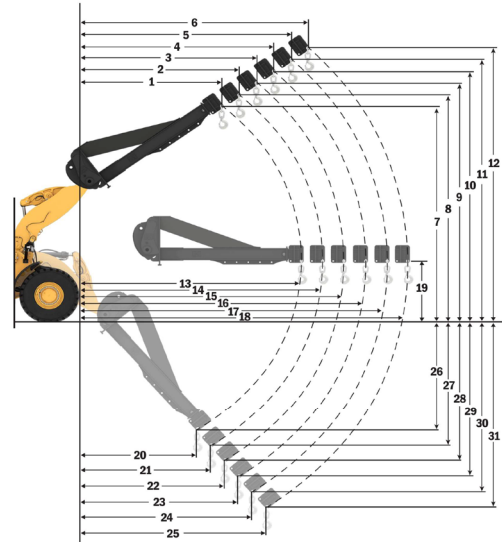
WARNING: Do not exceed tine load capacity. Individual tine capacity is stamped on the side of each tine.

966 Wheel Loader Specifications

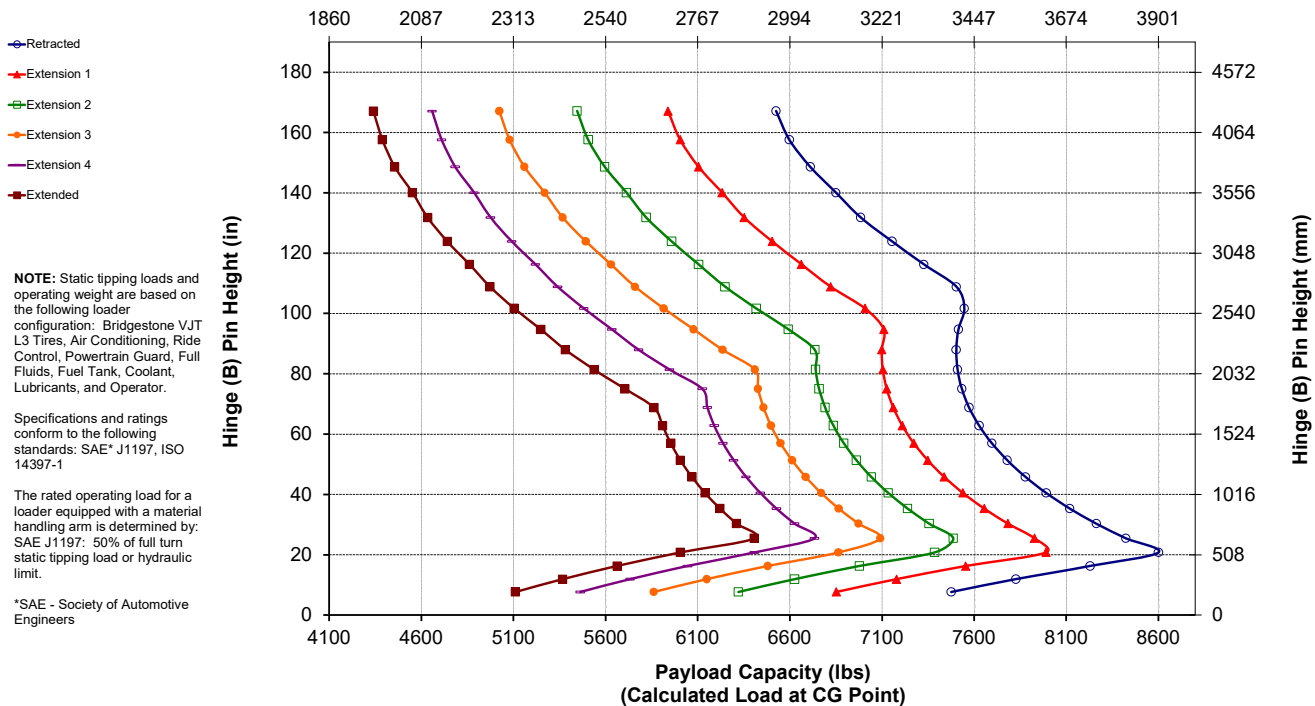
Material Handling Arm Specifications

966 STD Fusion Material Handling Arm 6Pos

| MHA Specifications | | Retracted | Extension 1 | Extension 2 | Extension 3 | Extension 4 | Extended |
|---|--------|-----------|-------------|-------------|-------------|-------------|----------|
| Max Lift - Hook Reach (1, 2, 3, 4, 5, 6) | mm | 1,823 | 1,936 | 2,049 | 2,162 | 2,275 | 2,388 |
| | ft, in | 5' 11" | 6' 4" | 6' 8" | 7' 1" | 7' 5" | 7' 10" |
| Max Lift - Hook Height (7, 8, 9, 10, 11, 12) | mm | 7,218 | 7,501 | 7,784 | 8,067 | 8,350 | 8,633 |
| | ft, in | 23' 8" | 24' 7" | 25' 6" | 26' 5" | 27' 4" | 28' 3" |
| Level - Hook Reach (13, 14, 15, 16, 17, 18) | mm | 4,553 | 4,858 | 5,162 | 5,467 | 5,772 | 6,077 |
| | ft, in | 14' 11" | 15' 11" | 16' 11" | 17' 11" | 18' 11" | 19' 11" |
| Level - Hook Height (19) | mm | 1,937 | 1,937 | 1,937 | 1,937 | 1,937 | 1,937 |
| | ft, in | 6' 4.2" | 6' 4.2" | 6' 4.2" | 6' 4.2" | 6' 4.2" | 6' 4.2" |
| Min Lift - Hook Reach (20, 21, 22, 23, 24, 25) | mm | 1,720 | 1,852 | 1,983 | 2,114 | 2,245 | 2,377 |
| | ft, in | 5' 7" | 6' 0" | 6' 6" | 6' 11" | 7' 4" | 7' 9" |
| Min Lift - Hook Height (26, 27, 28, 29, 30, 31) | mm | (2,871) | (3,146) | (3,421) | (3,696) | (3,971) | (4,246) |
| | ft, in | -9' 6" | -10' 8" | -11' 9" | -12' 10" | -13' 11" | -13' 0" |
| Static Tipping Load, Straight | kg | 7,689 | 7,275 | 6,902 | 6,564 | 6,258 | 5,977 |
| | lb | 16,947 | 16,033 | 15,211 | 14,468 | 13,792 | 13,174 |
| Static Tipping Load, Articulated | kg | 6,830 | 6,461 | 6,129 | 5,829 | 5,556 | 5,306 |
| | lb | 15,053 | 14,240 | 13,509 | 12,847 | 12,245 | 11,695 |
| Operating Weight | kg | 21,986 | 21,986 | 21,986 | 21,986 | 21,986 | 21,986 |
| | lb | 48,456 | 48,456 | 48,456 | 48,456 | 48,456 | 48,456 |



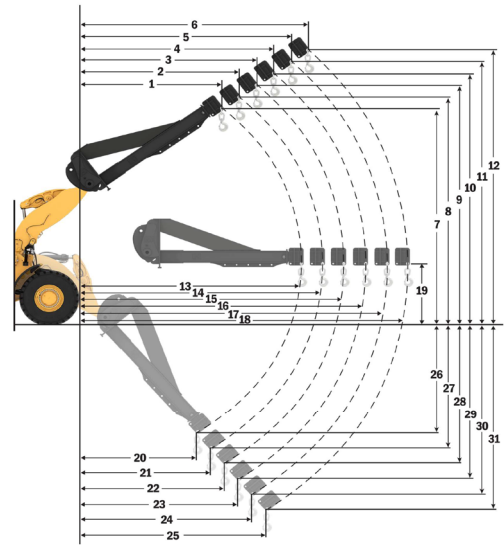
**Payload Capacity (kg)
(Calculated Load at CG Point)**



Material Handling Arm Specifications

966 HL Fusion Material Handling Arm 6Pos

| MHA Specifications | | Retracted | Extension 1 | Extension 2 | Extension 3 | Extension 4 | Extended |
|---|--------|-----------|-------------|-------------|-------------|-------------|----------|
| Max Lift - Hook Reach (1, 2, 3, 4, 5, 6) | mm | 1,273 | 1,336 | 1,399 | 1,462 | 1,525 | 1,589 |
| | ft, in | 4' 2" | 4' 4" | 4' 7" | 4' 9" | 5' 0" | 5' 2" |
| Max Lift - Hook Height (7, 8, 9, 10, 11, 12) | mm | 7,975 | 8,273 | 8,572 | 8,870 | 9,168 | 9,466 |
| | ft, in | 26' 1" | 27' 1" | 28' 1" | 29' 1" | 30' 0" | 31' 0" |
| Level - Hook Reach (13, 14, 15, 16, 17, 18) | mm | 4,957 | 5,262 | 5,567 | 5,871 | 6,176 | 6,481 |
| | ft, in | 16' 3" | 17' 3" | 18' 3" | 19' 3" | 20' 3" | 21' 3" |
| Level - Hook Height (19) | mm | 1,937 | 1,937 | 1,937 | 1,937 | 1,937 | 1,937 |
| | ft, in | 6' 4.2" | 6' 4.2" | 6' 4.2" | 6' 4.2" | 6' 4.2" | 6' 4.2" |
| Min Lift - Hook Reach (20, 21, 22, 23, 24, 25) | mm | (413) | (529) | (645) | (761) | (877) | (993) |
| | ft, in | -1' 7" | -1' 3" | -2' 10" | -2' 6" | -2' 1" | -3' 8" |
| Min Lift - Hook Height (26, 27, 28, 29, 30, 31) | mm | (2,737) | (3,019) | (3,301) | (3,583) | (3,864) | (4,146) |
| | ft, in | -8' 0" | -9' 1" | -10' 2" | -11' 2" | -12' 3" | -13' 4" |
| Static Tipping Load, Straight | kg | 8,280 | 7,864 | 7,487 | 7,143 | 6,829 | 6,541 |
| | lb | 18,249 | 17,332 | 16,500 | 15,744 | 15,051 | 14,416 |
| Static Tipping Load, Articulated | kg | 7,283 | 6,917 | 6,584 | 6,282 | 6,005 | 5,751 |
| | lb | 16,053 | 15,244 | 14,512 | 13,845 | 13,235 | 12,675 |
| Operating Weight | kg | 23,638 | 23,638 | 23,638 | 23,638 | 23,638 | 23,638 |
| | lb | 52,098 | 52,098 | 52,098 | 52,098 | 52,098 | 52,098 |



Payload Capacity (kg)
(Calculated Load at CG Point)

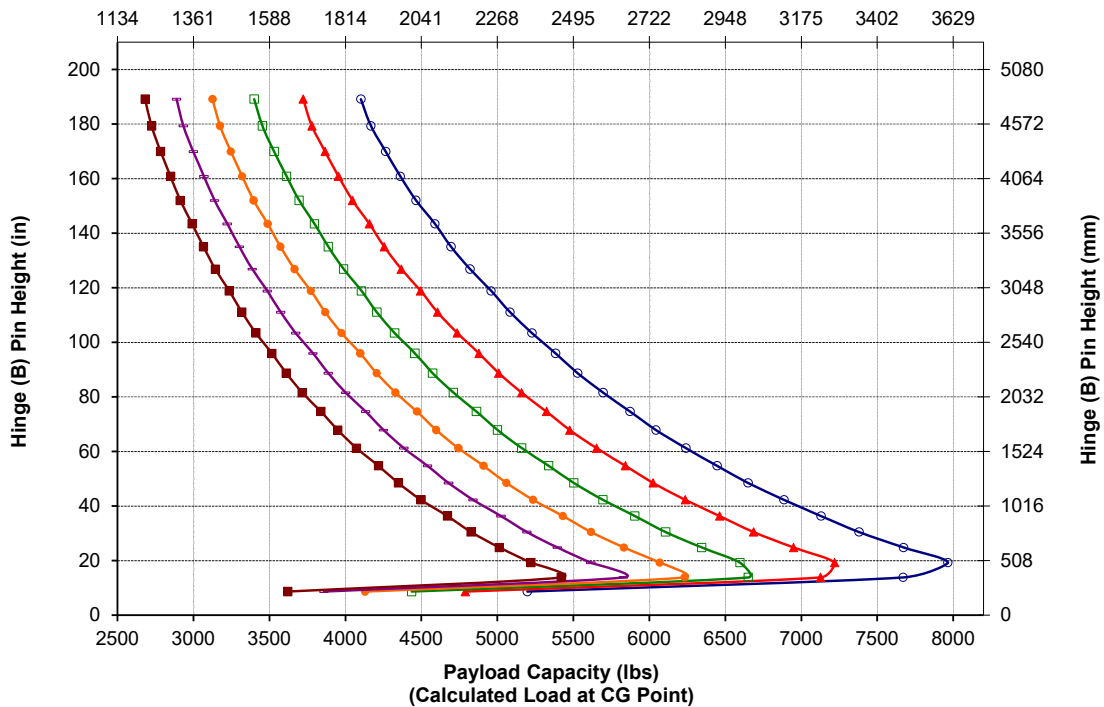
- Retracted
- ▲ Extension 1
- Extension 2
- ◆ Extension 3
- ◇ Extension 4
- Extended

NOTE: Static tipping loads and operating weight are based on the following loader configuration: Bridgestone VJ/T L3 Tires, Air Conditioning, Ride Control, Powertrain Guard, Full Fluids, Fuel Tank, Coolant, Lubricants, and Operator.

Specifications and ratings conform to the following standards: SAE* J1197, ISO 14397-1

The rated operating load for a loader equipped with a material handling arm is determined by: SAE J1197: 50% of full turn static tipping load or hydraulic limit.

*SAE - Society of Automotive Engineers

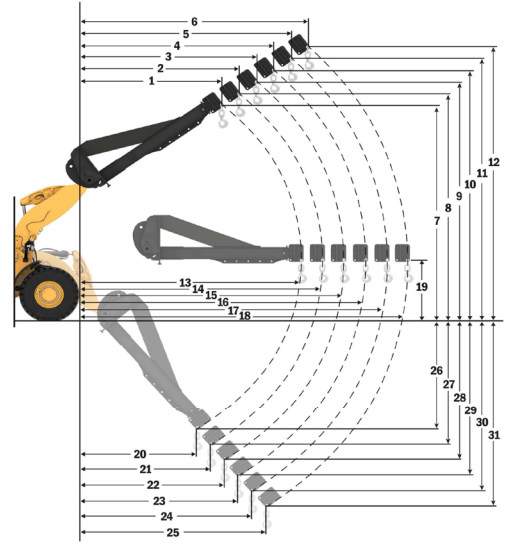


966 Wheel Loader Specifications

Material Handling Arm Specifications

966 AGG Fusion Material Handling Arm 6Pos

| MHA Specifications | | Retracted | Extension 1 | Extension 2 | Extension 3 | Extension 4 | Extended |
|---|--------|-----------|-------------|-------------|-------------|-------------|----------|
| Max Lift - Hook Reach (1, 2, 3, 4, 5, 6) | mm | 1,823 | 1,936 | 2,049 | 2,162 | 2,275 | 2,388 |
| | ft. in | 5' 11" | 6' 4" | 6' 8" | 7' 1" | 7' 5" | 7' 10" |
| Max Lift - Hook Height (7, 8, 9, 10, 11, 12) | mm | 7,218 | 7,501 | 7,784 | 8,067 | 8,350 | 8,633 |
| | ft. in | 23' 8" | 24' 7" | 25' 6" | 26' 5" | 27' 4" | 28' 3" |
| Level - Hook Reach (13, 14, 15, 16, 17, 18) | mm | 4,553 | 4,858 | 5,162 | 5,467 | 5,772 | 6,077 |
| | ft. in | 14' 11" | 15' 11" | 16' 11" | 17' 11" | 18' 11" | 19' 11" |
| Level - Hook Height (19) | mm | 1,937 | 1,937 | 1,937 | 1,937 | 1,937 | 1,937 |
| | ft. in | 6' 4.2" | 6' 4.2" | 6' 4.2" | 6' 4.2" | 6' 4.2" | 6' 4.2" |
| Min Lift - Hook Reach (20, 21, 22, 23, 24, 25) | mm | 1,720 | 1,852 | 1,983 | 2,114 | 2,245 | 2,377 |
| | ft. in | 5' 7" | 6' 0" | 6' 6" | 6' 11" | 7' 4" | 7' 9" |
| Min Lift - Hook Height (26, 27, 28, 29, 30, 31) | mm | (2,871) | (3,146) | (3,421) | (3,696) | (3,971) | (4,246) |
| | ft. in | -9' 6" | -10' 8" | -11' 9" | -12' 10" | -13' 11" | -13' 0" |
| Static Tipping Load, Straight | kg | 8,375 | 7,925 | 7,519 | 7,153 | 6,819 | 6,515 |
| | lb | 18,459 | 17,466 | 16,573 | 15,764 | 15,029 | 14,358 |
| Static Tipping Load, Articulated | kg | 7,415 | 7,016 | 6,656 | 6,331 | 6,035 | 5,765 |
| | lb | 16,343 | 15,463 | 14,670 | 13,953 | 13,301 | 12,706 |
| Operating Weight | kg | 22,637 | 22,637 | 22,637 | 22,637 | 22,637 | 22,637 |
| | lb | 49,891 | 49,891 | 49,891 | 49,891 | 49,891 | 49,891 |



**Payload Capacity (kg)
(Calculated Load at CG Point)**

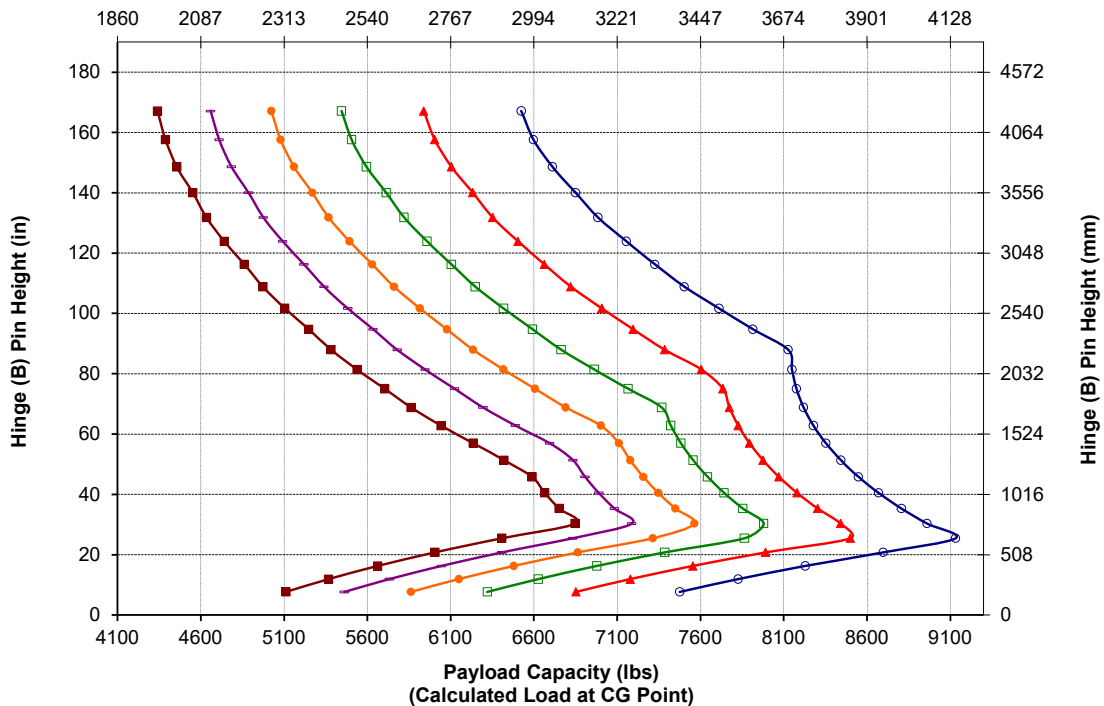
- Retracted
- Extension 1
- Extension 2
- Extension 3
- Extension 4
- Extended

NOTE: Static tipping loads and operating weight are based on the following loader configuration: Bridgestone VJT L3 Tires, Air Conditioning, Ride Control, Powertrain Guard, Full Fluids, Fuel Tank, Coolant, Lubricants, and Operator.

Specifications and ratings conform to the following standards: SAE* J1197, ISO 14397-1

The rated operating load for a loader equipped with a material handling arm is determined by: SAE J1197: 50% of full turn static tipping load or hydraulic limit.

*SAE - Society of Automotive Engineers



966 Wheel Loader Specifications

Standard and Optional Equipment

Standard and optional equipment may vary. Consult your Cat dealer for details.

| | Standard | Optional | | Standard | Optional |
|---|----------|----------|--|----------|----------|
| OPERATOR ENVIRONMENT | | | HYDRAULICS | | |
| Cab, pressurized, sound suppression | ✓ | | Implement system, load sensing with variable displacement piston pump | ✓ | |
| Door, remote opening system | | ✓ | Steering system, load sensing with dedicated variable displacement piston pump | ✓ | |
| EH implement controls, parking brake | ✓ | | Ride control, dual accumulators | | ✓ |
| HMU steering wheel | ✓ | | 3 rd and 4 th auxiliary function with ride control | | ✓ |
| Steering, joystick | | ✓ | Oil sampling valves, Cat XT™ hoses | ✓ | |
| Entertainment radio (FM, AM, USB, BT) | | ✓ | Quick coupler control | | ✓ |
| Entertainment radio (DAB+) | | ✓ | POWER TRAIN | | |
| CB radio ready | | ✓ | Cat C9.3B engine | ✓ | |
| Seat, cloth, air suspension | ✓ | | Electric fuel priming pump | ✓ | |
| Seat, suede/cloth, air suspension, heated | | ✓ | Fuel-water separator and secondary fuel filter | ✓ | |
| Seat, leather/cloth, air suspension, heated/cooled | | ✓ | Engine, air precleaner | ✓ | |
| Touchscreen display | ✓ | | Turbine, air precleaner | | ✓ |
| Visibility: mirrors, rear-vision camera | ✓ | | Radiator, high debris | | ✓ |
| Multiview (360°) vision system | | ✓ | Cooling fan, reversible | | ✓ |
| Cat Detect rear radar system | | ✓ | Axles, open/open differentials | ✓ | |
| Dedicated rearview screen | | ✓ | Axles, auto differential locks front and rear | | ✓ |
| Mirrors, heated | | ✓ | Axles, manual front lock | | ✓ |
| Air conditioner, heater, defroster (auto temp, fan) | ✓ | | Axles, ecology drains, AOC ready, extreme temperature seals | | ✓ |
| Sun visor, front, retractable | ✓ | | Axles, oil cooler | | ✓ |
| Sun visor, rear, retractable | | ✓ | Transmission, planetary, automatic powershift | ✓ | |
| Window cleaning platform, front | | ✓ | Torque converter with lock-up | ✓ | |
| Windows, front, laminated | ✓ | | Service brakes, hydraulic, fully enclosed wet disc, wear indicators | ✓ | |
| Windows, front, heavy duty | | ✓ | Integrated Braking System (IBS) | ✓ | |
| Full cab window guard | | ✓ | Park brake, caliper on front axles, spring applied-pressure released | ✓ | |
| ON-BOARD TECHNOLOGIES* | | | ELECTRICAL | | |
| Cat Payload scale | ✓ | | Starting and charging system, 24V | ✓ | |
| Autodig with Auto Set Tires | ✓ | | Starter, electric, heavy duty | ✓ | |
| Operator ID & machine security | ✓ | | Cold start, 120V or 240V | | ✓ |
| Application Profiles | ✓ | | Lights: halogen, 4 work lights, 2 front tower lights, 2 rear-vision lights | ✓ | |
| Job Aids | ✓ | | Lights: roading with turn signals | | ✓ |
| Controls Help and eOMM | ✓ | | Lights: LED | | ✓ |
| Cat Advanced Payload | | ✓ | Warning beacon | | ✓ |
| Cat Payload Printer | | ✓ | | | |

(continued on next page)

966 Wheel Loader Specifications

Standard and Optional Equipment *(continued)*

Standard and optional equipment may vary. Consult your Cat dealer for details.

| | Standard | Optional | | Standard | Optional |
|--|----------|----------|-------------------------------|----------|----------|
| MONITORING SYSTEM | | | SPECIAL CONFIGURATIONS | | |
| Front dash with analog gauges, LCD display, and warning lights | ✓ | | Aggregate handler | | ✓ |
| Primary touchscreen monitor (Cat Payload, quad screens, machine settings & messages) | ✓ | | Waste and industrial | | ✓ |
| Reversing strobe lights | | ✓ | Forestry | | ✓ |
| LINKAGE | | | Corrosion resistant | | ✓ |
| Standard lift, Z-bar | ✓ | | | | |
| High lift, Z-bar | | ✓ | | | |
| Kickouts: lift and tilt | ✓ | | | | |
| ADDITIONAL EQUIPMENT | | | | | |
| Cat Autolube system | | ✓ | | | |
| Fenders, extensions or roading | | ✓ | | | |
| Guards: power train, crankcase, cab, cylinders, rear | | ✓ | | | |
| Biodegradable hydraulic oil | | ✓ | | | |
| High-speed oil change system | | ✓ | | | |
| Rear cab access | | ✓ | | | |
| Toolbox | | ✓ | | | |
| Wheel chocks | | ✓ | | | |
| Secondary steering system, electrical* | | ✓ | | | |

*Standard where mandated.



966

Waste & Scrap Handler

The Cat 966 Wheel Loader Waste and Scrap Handler package features guarding and reinforcement necessary for work in transfer stations, recycling depots, scrap yards, and demolition sites.

Proven Reliability

- Cat C9.3B engine offers high power density with a combination of proven electronics, fuel, and air systems.
- Features an electric fuel priming pump, fuel-water separator, and secondary filtration system.
- Thorough component design and machine validation processes result in unmatched reliability and uptime.

Durability

- Waste and scrap handler package adds additional steel guards all around the machine to protect your investment and keep debris out of the implement valve and engine compartments.
- Heavy-duty steel cable lower steps stand up to the harshest of conditions.
- Heavy-duty transmission and axles designed to handle waste and scrap applications.
- Automatic planetary powershift (4F/4R) transmission features durable, long-lasting components.

Superior Fuel Efficiency & Productivity

- Optional high lift linkage provides additional dump clearance.
- Optional 3rd and 4th valve hydraulics for work tools that require additional functions.
- Optional variable pitch fan and high debris cooling cores keep the cores free from debris.
- Powershift transmission with lock-up clutch increases fuel efficiency while delivering optimal performance.
- Single clutch and lock-to-lock shifting for faster acceleration and speed on grades.
- Automatic idle engine shutdown system significantly reduces idle time, overall operating hours, and fuel consumption.
- Deeply integrated engine, power train, and hydraulic systems deliver unmatched productivity and fuel efficiency.

Safety Features

- Optional window guards provide added protection.
- Rear-vision camera enhances visibility behind the machine, helping you work safely and confidently.
- Optional Multiview (360°) vision system helps the operator monitor the surroundings of the machine at all times.
- Optional Cat Detect radar technology enhances awareness by monitoring the working environment and alerts operators to hazards.
- Cab access with wide door, optional remote door opening, and stair-like steps add solid stability.
- Floor-to-ceiling windshield, large mirrors with integrated spot mirrors, and rear-vision camera provide industry leading all-around visibility.

Reduced Maintenance Time and Costs

- Extended fluid and filter change intervals reduce maintenance costs by up to 15%.
- Optional turbine engine air precleaner improves air filter life.
- Remote Troubleshoot can connect the machine to the dealer service department to help diagnose problems quickly so you can get back to work.
- Remote Flash works around your schedule to ensure your machine's software is up to date for optimal performance.
- The Cat App helps you manage fleet location, hours, and maintenance schedules; it also alerts you for required maintenance and allows you to request service from your local Cat dealer.
- One-piece tilting hood makes engine compartment access fast and easy.

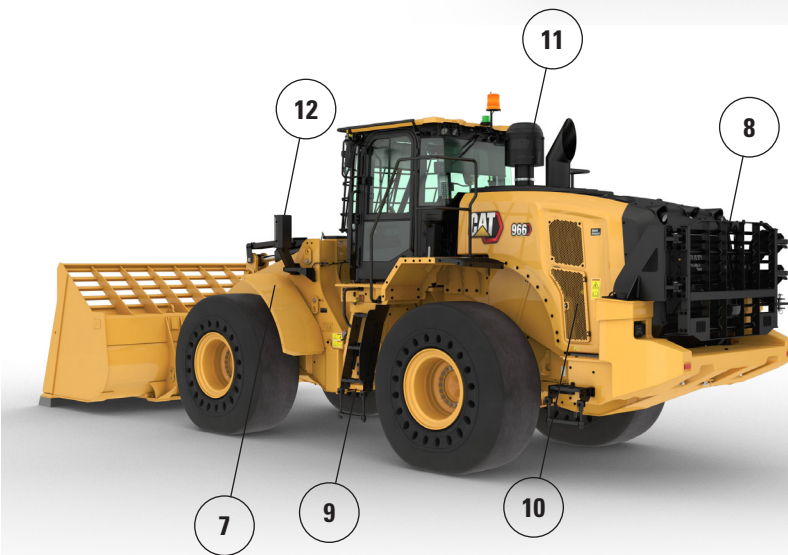
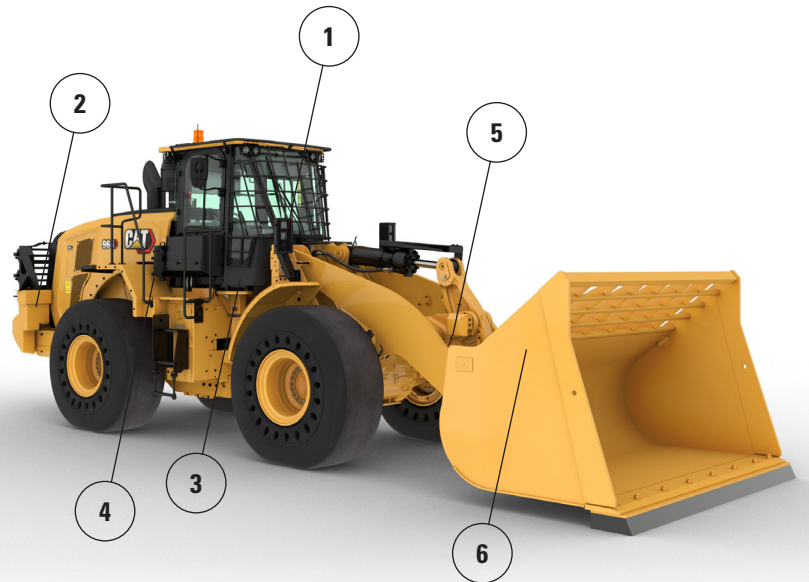
Work in Comfort in the All New Cab

- Carbon cab air filter reduces cabin odors.
- Optional powered cabin precleaner filters the incoming air and pressurize the cab.
- Next-generation, easily adjustable seat and suspension for improved operator comfort. It comes in three trim levels and can be equipped with a 4-point harness.
- New in-cab dashboard and high-resolution touch display(s) are easy to use, intuitive, and user friendly.
- Sound suppression, seals, and viscous cab mounts decrease noise and vibration for a quieter work environment.
- HMU steering wheel offers low-effort and precise machine steering. The optional seat-mounted electro-hydraulic joystick steering system provides precision control and dramatically reduces arm fatigue, resulting in excellent comfort and accuracy.

966 Waste & Scrap Handler Specifications

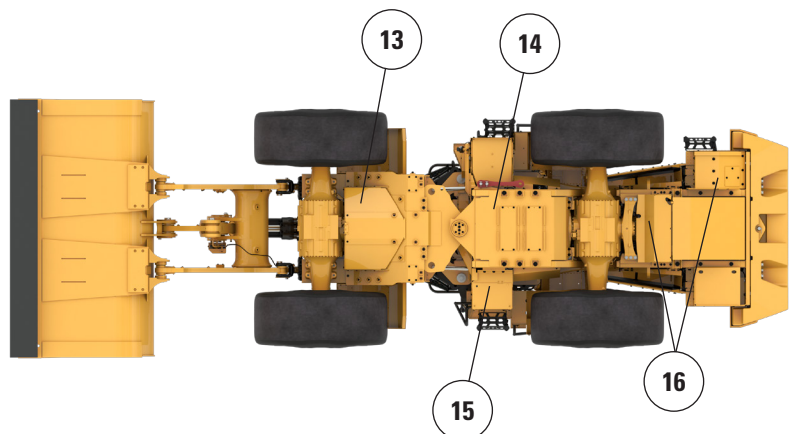
966 Waste and Scrap Handler Features

1. Optional window guards provide added protection
2. Added steel guards include crankcase, power train, front frame, hitch, steering cylinder, service center, cab, platform, implement valve cover, and tilt cylinder
3. Carbon cab air filter removes harsh odors
4. Optional powered cab precleaner helps to improve cab filter life and keeps the cab pressurized
5. Optional 3rd and 4th valve hydraulics available to control a large variety of work tools
6. Large line of Cat waste and scrap work tools



7. Narrow front steel fenders help to keep the windshield clean and are set inboard of the outer edge of the tire for added protection
8. Optional rear guard protects the rear grill and cooling package from impact
9. Heavy-duty steel cable lower steps stand up to the harshest conditions
10. Optional variable pitch fan and high debris cooling cores help to keep the cooling package clean
11. Optional turbine engine air precleaner with a trash screen option help to extend engine air filter life
12. Front lights are guarded and positioned close to the frame for added protection

13. Lower front frame guard protects vital drivetrain components and keeps trash from getting in the front frame compartment
14. Power train guard protects the transmission and helps keep trash out of the engine compartment
15. Lower hydraulic service center guard protects the transmission filter and keep trash out of the service center
16. Rear crankcase and platform guards keeps trash and debris out



966 Waste & Scrap Handler Specifications

Tire Options

| Tire Brand | BRAWLER HPS SMOOTH | BRAWLER HPS TRACTION | BRIDGESTONE | MICHELIN | MAXAM |
|--|-----------------------|-------------------------|-----------------------|-----------------------|-----------------------|
| Tire Size | 26.5R25 | 26.5R25 | 26.5R25 | 26.5R25 | 26.5R25 |
| Tread Type | N/A | N/A | L3 | L3 | L3 |
| Tread Pattern | SMOOTH | TRACTION | VJT | XHA2 | MS302 |
| Casing Strength | N/A | N/A | * | ** | ** |
| Width over Tires – Maximum (empty)* | 2959 mm 9'9" | 2959 mm 9'9" | 2978 mm 9'10" | 2986 mm 9'10" | 2972 mm 9'9" |
| Width over Tires – Maximum (loaded)* | 2968 mm 9'9" | 2968 mm 9'9" | 3012 mm 9'11" | 3016 mm 9'11" | 2947 mm 9'9" |
| Change in Vertical Dimensions (average of front and rear) | | -3 mm -0.1" | -37 mm -1.5" | -48 mm -1.9" | -23 mm -0.9" |
| Change in Horizontal Reach | | 0 mm 0" | -11 mm -0.4" | -8 mm -0.3" | -18 mm -0.7" |
| Change in Clearance Circle to Outside of Tires | | 0 mm 0" | 44 mm 1.7" | 48 mm 1.9" | -21 mm -0.8" |
| Change in Clearance Circle to Inside of Tires | | 0 mm 0" | -44 mm -1.7" | -48 mm -1.9" | 21 mm 0.8" |
| Change in Operating Weight (without Ballast) | | -224 kg -494 lb | -4300 kg -9,482 lb | -4464 kg -9,843 lb | -4316 kg -9,517 lb |
| Change in Static Tipping Load – Straight | | -162 kg -358 lb | -3118 kg -6,874 lb | -3236 kg -7,136 lb | -3129 kg -6,900 lb |
| Change in Static Tipping Load – Articulated | | -144 kg -319 lb | -2774 kg -6,116 lb | -2879 kg -6,349 lb | -2784 kg -6,138 lb |
| Rear Axle Oscillation Angle | ±8 degrees | ±8 degrees | ±13 degrees | ±13 degrees | ±13 degrees |
| Maximum Single-wheel Rise and Fall | 310 mm 1'1" | 310 mm 1'1" | 502 mm 1'8" | 502 mm 1'8" | 502 mm 1'8" |

*Width over tire bulge and includes tire growth.

Operating Specifications – Buckets

| Linkage | | Standard Linkage | | | |
|--|-----------------|------------------------------------|--------------------|--------|--|
| Bucket Type | | General Purpose – Hook-On – Fusion | | | |
| Edge Type | | Bolt-On Cutting Edges | Teeth and Segments | Tips | |
| Capacity – Rated | m ³ | 4.20 | 4.20 | 4.00 | |
| | yd ³ | 5.50 | 5.50 | 5.25 | |
| Capacity – Rated at 110% Fill Factor | m ³ | 4.60 | 4.60 | 4.40 | |
| | yd ³ | 6.00 | 6.00 | 5.75 | |
| Width | mm | 3220 | 3271 | 3271 | |
| | ft/in | 10'6" | 10'8" | 10'8" | |
| 16† Dump Clearance at Maximum Lift and 45° Discharge | mm | 2998 | 2844 | 2844 | |
| | ft/in | 9'10" | 9'3" | 9'3" | |
| 17† Reach at Maximum Lift and 45° Discharge | mm | 1406 | 1544 | 1544 | |
| | ft/in | 4'7" | 5'0" | 5'0" | |
| Reach at Level Lift Arm and Bucket Level | mm | 2866 | 3070 | 3070 | |
| | ft/in | 9'4" | 10'0" | 10'0" | |
| A† Digging Depth | mm | 78 | 78 | 48 | |
| | in | 3.0" | 3.0" | 1.9" | |
| 12† Overall Length | mm | 8767 | 8993 | 8993 | |
| | ft/in | 28'10" | 29'7" | 29'7" | |
| B† Overall Height with Bucket at Maximum Lift | mm | 5998 | 5998 | 5998 | |
| | ft/in | 19'9" | 19'9" | 19'9" | |
| Loader Clearance Circle Radius with Bucket at Carry Position | mm | 7539 | 7629 | 7629 | |
| | ft/in | 24'9" | 25'1" | 25'1" | |
| Static Tipping Load, Straight (With tire deflection) | kg | 19 632 | 19 449 | 19 814 | |
| | lb | 43,280 | 42,877 | 43,682 | |
| Static Tipping Load, Straight (No tire deflection) | kg | 21 122 | 20 937 | 21 319 | |
| | lb | 46,554 | 46,146 | 46,988 | |
| Static Tipping Load, Articulated (With tire deflection) | kg | 17 832 | 17 649 | 18 001 | |
| | lb | 39,313 | 38,910 | 39,685 | |
| Static Tipping Load, Articulated (No tire deflection) | kg | 19 330 | 19 145 | 19 513 | |
| | lb | 42,604 | 42,196 | 43,007 | |
| Breakout Force (§) | kN | 166 | 165 | 176 | |
| | lbf | 37,424 | 37,081 | 39,622 | |
| Operating Weight* | kg | 28 578 | 28 716 | 28 553 | |
| | lb | 62,985 | 63,289 | 62,930 | |

* Static tipping loads and operating weights shown are based on a machine configuration with Brawler 26.5X25 Smooth solid tires, full fluids, operator, cab precleaner, fabricated counterweight with rear guard (1300 kg), flat window glass with front guard, industrial package, ride control, standard starting, narrow fenders, turbine engine precleaner, Product Link, auto diff lock axles (front/rear), power train guard, standard steering, industrial sound suppression and variable pitch fan.

† Illustration shown with Dimension charts.

(§) Measured 100 mm (4") behind tip of cutting edge with bucket hinge pin as pivot point in accordance with ISO 14397-2:2007.

(With tire deflection) Full compliance to ISO 14397-1:2007 Sections 1 thru 6, which requires 2% verification between calculations and testing.

(No tire deflection) Compliance to ISO 14397-1:2007 Sections 1 thru 5.

Other buckets are available and offerings vary by region. Consult your local Cat dealer for further details.

966 Waste & Scrap Handler Specifications

Operating Specifications – Buckets

| Linkage | | Standard Linkage | | | | | |
|--|-----------------|------------------------------------|--------------------|--------|-----------------------|--------------------|--------|
| Bucket Type | | General Purpose – Hook-On – Fusion | | | | | |
| Edge Type | | Bolt-On Cutting Edges | Teeth and Segments | Tips | Bolt-On Cutting Edges | Teeth and Segments | Tips |
| Capacity – Rated | m ³ | 3.80 | 3.80 | 3.60 | 4.60 | 4.60 | 4.40 |
| | yd ³ | 5.00 | 5.00 | 4.75 | 6.00 | 6.00 | 5.75 |
| Capacity – Rated at 110% Fill Factor | m ³ | 4.20 | 4.20 | 4.00 | 5.10 | 5.10 | 4.80 |
| | yd ³ | 5.50 | 5.50 | 5.25 | 6.75 | 6.75 | 6.25 |
| Width | mm | 3220 | 3271 | 3271 | 3220 | 3271 | 3271 |
| | ft/in | 10'6" | 10'8" | 10'8" | 10'6" | 10'8" | 10'8" |
| 16† Dump Clearance at Maximum Lift and 45° Discharge | mm | 3076 | 2924 | 2924 | 2985 | 2831 | 2831 |
| | ft/in | 10'1" | 9'7" | 9'7" | 9'9" | 9'3" | 9'3" |
| 17† Reach at Maximum Lift and 45° Discharge | mm | 1335 | 1474 | 1474 | 1409 | 1546 | 1546 |
| | ft/in | 4'4" | 4'10" | 4'10" | 4'7" | 5'0" | 5'0" |
| Reach at Level Lift Arm and Bucket Level | mm | 2756 | 2961 | 2961 | 2876 | 3081 | 3081 |
| | ft/in | 9'0" | 9'8" | 9'8" | 9'5" | 10'1" | 10'1" |
| A† Digging Depth | mm | 86 | 86 | 56 | 85 | 85 | 55 |
| | in | 3.4" | 3.4" | 2.2" | 3.3" | 3.3" | 2.1" |
| 12† Overall Length | mm | 8664 | 8890 | 8890 | 8783 | 9009 | 9009 |
| | ft/in | 28'6" | 29'2" | 29'2" | 28'10" | 29'7" | 29'7" |
| B† Overall Height with Bucket at Maximum Lift | mm | 5841 | 5841 | 5841 | 6076 | 6076 | 6076 |
| | ft/in | 19'2" | 19'2" | 19'2" | 20'0" | 20'0" | 20'0" |
| Loader Clearance Circle Radius with Bucket at Carry Position | mm | 7513 | 7602 | 7602 | 7545 | 7635 | 7635 |
| | ft/in | 24'8" | 25'0" | 25'0" | 24'10" | 25'1" | 25'1" |
| Static Tipping Load, Straight (With tire deflection) | kg | 19 940 | 19 758 | 20 132 | 19 767 | 19 611 | 19 971 |
| | lb | 43,960 | 43,559 | 44,383 | 43,644 | 43,234 | 44,028 |
| Static Tipping Load, Straight (No tire deflection) | kg | 21 432 | 21 248 | 21 639 | 21 345 | 21 157 | 21 536 |
| | lb | 47,237 | 46,831 | 47,692 | 47,046 | 46,630 | 47,466 |
| Static Tipping Load, Articulated (With tire deflection) | kg | 18 123 | 17 941 | 18 300 | 17 972 | 17 786 | 18 133 |
| | lb | 39,954 | 39,553 | 40,345 | 39,621 | 39,212 | 39,976 |
| Static Tipping Load, Articulated (No tire deflection) | kg | 19 622 | 19 437 | 19 813 | 19 526 | 19 338 | 19 704 |
| | lb | 43,247 | 42,840 | 43,669 | 43,037 | 42,621 | 43,428 |
| Breakout Force (§) | kN | 181 | 179 | 192 | 164 | 163 | 174 |
| | lbf | 40,682 | 40,332 | 43,265 | 37,052 | 36,706 | 39,210 |
| Operating Weight* | kg | 28 515 | 28 653 | 28 489 | 28 692 | 28 830 | 28 667 |
| | lb | 62,846 | 63,150 | 62,790 | 63,237 | 63,541 | 63,181 |

* Static tipping loads and operating weights shown are based on a machine configuration with Brawler 26.5X25 Smooth solid tires, full fluids, operator, cab precleaner, fabricated counterweight with rear guard (1300 kg), flat window glass with front guard, industrial package, ride control, standard starting, narrow fenders, turbine engine precleaner, Product Link, auto diff lock axles (front/rear), power train guard, standard steering, industrial sound suppression and variable pitch fan.

† Illustration shown with Dimension charts.

(§) Measured 100 mm (4") behind tip of cutting edge with bucket hinge pin as pivot point in accordance with ISO 14397-2:2007.

(With tire deflection) Full compliance to ISO 14397-1:2007 Sections 1 thru 6, which requires 2% verification between calculations and testing.

(No tire deflection) Compliance to ISO 14397-1:2007 Sections 1 thru 5.

Other buckets are available and offerings vary by region. Consult your local Cat dealer for further details.

966 Waste & Scrap Handler Specifications

Operating Specifications – Buckets

| Linkage | | Standard Linkage | | | | |
|--|-----------------|--------------------------|--------------------|--------|-----------------------|--------|
| Bucket Type | | General Purpose – Pin-On | | | | |
| Edge Type | | Bolt-On Cutting Edges | Teeth and Segments | Tips | Bolt-On Cutting Edges | Tips |
| Capacity – Rated | m ³ | 4.60 | 4.60 | 4.40 | 3.80 | 3.60 |
| | yd ³ | 6.00 | 6.00 | 5.75 | 5.00 | 4.75 |
| Capacity – Rated at 110% Fill Factor | m ³ | 5.10 | 5.10 | 4.80 | 4.20 | 4.00 |
| | yd ³ | 6.75 | 6.75 | 6.25 | 5.50 | 5.25 |
| Width | mm | 3264 | 3301 | 3301 | 3220 | 3271 |
| | ft/in | 10'8" | 10'9" | 10'9" | 10'6" | 10'8" |
| 16† Dump Clearance at Maximum Lift and 45° Discharge | mm | 3015 | 2857 | 2857 | 3105 | 2953 |
| | ft/in | 9'10" | 9'4" | 9'4" | 10'2" | 9'8" |
| 17† Reach at Maximum Lift and 45° Discharge | mm | 1372 | 1508 | 1508 | 1300 | 1440 |
| | ft/in | 4'6" | 4'11" | 4'11" | 4'3" | 4'8" |
| Reach at Level Lift Arm and Bucket Level | mm | 2829 | 3035 | 3035 | 2712 | 2916 |
| | ft/in | 9'3" | 9'11" | 9'11" | 8'10" | 9'6" |
| A† Digging Depth | mm | 86 | 86 | 56 | 86 | 56 |
| | in | 3.4" | 3.4" | 2.2" | 3.4" | 2.2" |
| 12† Overall Length | mm | 8737 | 8968 | 8968 | 8620 | 8846 |
| | ft/in | 28'8" | 29'6" | 29'6" | 28'4" | 29'1" |
| B† Overall Height with Bucket at Maximum Lift | mm | 6049 | 6049 | 6049 | 5815 | 5815 |
| | ft/in | 19'11" | 19'11" | 19'11" | 19'1" | 19'1" |
| Loader Clearance Circle Radius with Bucket at Carry Position | mm | 7538 | 7619 | 7619 | 7488 | 7573 |
| | ft/in | 24'9" | 25'0" | 25'0" | 24'7" | 24'11" |
| Static Tipping Load, Straight (With tire deflection) | kg | 20 322 | 20 014 | 20 393 | 20 562 | 20 599 |
| | lb | 44,803 | 44,123 | 44,958 | 45,332 | 45,414 |
| Static Tipping Load, Straight (No tire deflection) | kg | 21 884 | 21 570 | 21 966 | 22 086 | 22 106 |
| | lb | 48,234 | 47,541 | 48,413 | 48,678 | 48,722 |
| Static Tipping Load, Articulated (With tire deflection) | kg | 18 481 | 18 174 | 18 537 | 18 722 | 18 751 |
| | lb | 40,743 | 40,066 | 40,868 | 41,274 | 41,339 |
| Static Tipping Load, Articulated (No tire deflection) | kg | 20 049 | 19 735 | 20 116 | 20 251 | 20 263 |
| | lb | 44,189 | 43,498 | 44,336 | 44,635 | 44,661 |
| Breakout Force (§) | kN | 170 | 167 | 179 | 187 | 200 |
| | lbf | 38,334 | 37,661 | 40,281 | 42,203 | 44,976 |
| Operating Weight* | kg | 28 291 | 28 463 | 28 302 | 28 100 | 28 074 |
| | lb | 62,352 | 62,731 | 62,376 | 61,931 | 61,875 |

*Static tipping loads and operating weights shown are based on a machine configuration with Brawler 26.5X25 Smooth solid tires, full fluids, operator, cab precleaner, fabricated counterweight with rear guard (1300 kg), flat window glass with front guard, industrial package, ride control, standard starting, narrow fenders, turbine engine precleaner, Product Link, auto diff lock axles (front/rear), power train guard, standard steering, industrial sound suppression and variable pitch fan.

† Illustration shown with Dimension charts.

(§) Measured 100 mm (4") behind tip of cutting edge with bucket hinge pin as pivot point in accordance with ISO 14397-2:2007.

(With tire deflection) Full compliance to ISO 14397-1:2007 Sections 1 thru 6, which requires 2% verification between calculations and testing.

(No tire deflection) Compliance to ISO 14397-1:2007 Sections 1 thru 5.

Other buckets are available and offerings vary by region. Consult your local Cat dealer for further details.

966 Waste & Scrap Handler Specifications

Operating Specifications – Buckets

| Linkage | | Standard Linkage | | | |
|--|-----------------|--------------------------|--------|-----------------------|--------|
| Bucket Type | | General Purpose – Pin-On | | | |
| Edge Type | | Bolt-On Cutting Edges | Tips | Bolt-On Cutting Edges | Tips |
| Capacity – Rated | m ³ | 4.20 | 4.00 | 4.00 | 3.80 |
| | yd ³ | 5.50 | 5.25 | 5.25 | 5.00 |
| Capacity – Rated at 110% Fill Factor | m ³ | 4.60 | 4.40 | 4.40 | 4.20 |
| | yd ³ | 6.00 | 5.75 | 5.75 | 5.50 |
| Width | mm | 3220 | 3271 | 3220 | 3271 |
| | ft/in | 10'6" | 10'8" | 10'6" | 10'8" |
| 16 † Dump Clearance at Maximum Lift and 45° Discharge | mm | 3029 | 2875 | 3096 | 2943 |
| | ft/in | 9'11" | 9'5" | 10'1" | 9'7" |
| 17 † Reach at Maximum Lift and 45° Discharge | mm | 1361 | 1498 | 1307 | 1446 |
| | ft/in | 4'5" | 4'11" | 4'3" | 4'8" |
| Reach at Level Lift Arm and Bucket Level | mm | 2811 | 3016 | 2723 | 2928 |
| | ft/in | 9'2" | 9'10" | 8'11" | 9'7" |
| A † Digging Depth | mm | 86 | 56 | 86 | 56 |
| | in | 3.4" | 2.2" | 3.4" | 2.2" |
| 12 † Overall Length | mm | 8719 | 8945 | 8631 | 8857 |
| | ft/in | 28'8" | 29'5" | 28'4" | 29'1" |
| B † Overall Height with Bucket at Maximum Lift | mm | 5926 | 5926 | 5926 | 5926 |
| | ft/in | 19'6" | 19'6" | 19'6" | 19'6" |
| Loader Clearance Circle Radius with Bucket at Carry Position | mm | 7513 | 7598 | 7491 | 7576 |
| | ft/in | 24'8" | 25'0" | 24'7" | 24'11" |
| Static Tipping Load, Straight (With tire deflection) | kg | 20 321 | 20 410 | 20 549 | 20 630 |
| | lb | 44,800 | 44,996 | 45,302 | 45,482 |
| Static Tipping Load, Straight (No tire deflection) | kg | 21 847 | 21 939 | 22 085 | 22 170 |
| | lb | 48,152 | 48,354 | 48,677 | 48,863 |
| Static Tipping Load, Articulated (With tire deflection) | kg | 18 489 | 18 565 | 18 704 | 18 772 |
| | lb | 40,762 | 40,928 | 41,236 | 41,386 |
| Static Tipping Load, Articulated (No tire deflection) | kg | 20 022 | 20 099 | 20 247 | 20 317 |
| | lb | 44,130 | 44,298 | 44,625 | 44,778 |
| Breakout Force (§) | kN | 173 | 184 | 185 | 197 |
| | lbf | 39,032 | 41,412 | 41,747 | 44,465 |
| Operating Weight* | kg | 28 208 | 28 182 | 28 152 | 28 126 |
| | lb | 62,169 | 62,113 | 62,046 | 61,990 |

* Static tipping loads and operating weights shown are based on a machine configuration with Brawler 26.5X25 Smooth solid tires, full fluids, operator, cab precleaner, fabricated counterweight with rear guard (1300 kg), flat window glass with front guard, industrial package, ride control, standard starting, narrow fenders, turbine engine precleaner, Product Link, auto diff lock axles (front/rear), power train guard, standard steering, industrial sound suppression and variable pitch fan.

† Illustration shown with Dimension charts.

(§) Measured 100 mm (4") behind tip of cutting edge with bucket hinge pin as pivot point in accordance with ISO 14397-2:2007.

(With tire deflection) Full compliance to ISO 14397-1:2007 Sections 1 thru 6, which requires 2% verification between calculations and testing.

(No tire deflection) Compliance to ISO 14397-1:2007 Sections 1 thru 5.

Other buckets are available and offerings vary by region. Consult your local Cat dealer for further details.

966 Waste & Scrap Handler Specifications

Operating Specifications – Buckets

| Linkage | | Standard Linkage | | | |
|--|-----------------|------------------------------|-----------------------|-----------------------------|--------------------------------|
| Bucket Type | | High Dump – Hook-On – Fusion | | Waste, Dozing – Pin-On | Waste, Load and Carry – Pin-On |
| Edge Type | | Bolt-On Cutting Edges | Bolt-On Cutting Edges | Steel Bolt-On Cutting Edges | Steel Bolt-On Cutting Edges |
| Capacity – Rated | m ³ | 5.35 | 5.35 | 6.50 | 7.40 |
| | yd ³ | 7.00 | 7.00 | 8.50 | 9.75 |
| Capacity – Rated at 110% Fill Factor | m ³ | 5.90 | 5.90 | 7.20 | 8.10 |
| | yd ³ | 7.75 | 7.75 | 9.50 | 10.50 |
| Width | mm | 3059 | 3059 | 3357 | 3357 |
| | ft/in | 10'0" | 10'0" | 11'0" | 11'0" |
| 16† Dump Clearance at Maximum Lift and 45° Discharge | mm | 2629 | 2629 | 2951 | 2670 |
| | ft/in | 8'7" | 8'7" | 9'8" | 8'9" |
| 17† Reach at Maximum Lift and 45° Discharge | mm | 1579 | 1579 | 1245 | 1526 |
| | ft/in | 5'2" | 5'2" | 4'1" | 5'0" |
| Reach at Level Lift Arm and Bucket Level | mm | 3266 | 3266 | 2802 | 3199 |
| | ft/in | 10'8" | 10'8" | 9'2" | 10'5" |
| A† Digging Depth | mm | 109 | 109 | 118 | 78 |
| | in | 4.3" | 4.3" | 4.6" | 3.0" |
| 12† Overall Length | mm | 9193 | 9193 | 8736 | 9133 |
| | ft/in | 30'2" | 30'2" | 28'8" | 30'0" |
| B† Overall Height with Bucket at Maximum Lift | mm | 6221 | 6221 | 6600 | 6377 |
| | ft/in | 20'5" | 20'5" | 21'8" | 21'0" |
| Loader Clearance Circle Radius with Bucket at Carry Position | mm | 7592 | 7592 | 7584 | 7686 |
| | ft/in | 24'11" | 24'11" | 24'11" | 25'3" |
| Static Tipping Load, Straight (With tire deflection) | kg | 18 318 | 18 318 | 20 566 | 18 761 |
| | lb | 40,384 | 40,384 | 45,340 | 41,361 |
| Static Tipping Load, Straight (No tire deflection) | kg | 19 834 | 19 834 | 22 389 | 20 344 |
| | lb | 43,715 | 43,715 | 49,345 | 44,840 |
| Static Tipping Load, Articulated (With tire deflection) | kg | 16 563 | 16 563 | 18 643 | 16 970 |
| | lb | 36,515 | 36,515 | 41,101 | 37,412 |
| Static Tipping Load, Articulated (No tire deflection) | kg | 18 086 | 18 086 | 20 465 | 18 559 |
| | lb | 39,863 | 39,863 | 45,106 | 40,905 |
| Breakout Force (§) | kN | 126 | 126 | 169 | 136 |
| | lbf | 28,437 | 28,437 | 38,181 | 30,669 |
| Operating Weight* | kg | 29 209 | 29 209 | 28 905 | 29 129 |
| | lb | 64,377 | 64,377 | 63,705 | 64,199 |

* Static tipping loads and operating weights shown are based on a machine configuration with Brawler 26.5X25 Smooth solid tires, full fluids, operator, cab precleaner, fabricated counterweight with rear guard (1300 kg), flat window glass with front guard, industrial package, ride control, standard starting, narrow fenders, turbine engine precleaner, Product Link, auto diff lock axles (front/rear), power train guard, standard steering, industrial sound suppression and variable pitch fan.

† Illustration shown with Dimension charts.

(§) Measured 100 mm (4") behind tip of cutting edge with bucket hinge pin as pivot point in accordance with ISO 14397-2:2007.

(With tire deflection) Full compliance to ISO 14397-1:2007 Sections 1 thru 6, which requires 2% verification between calculations and testing.

(No tire deflection) Compliance to ISO 14397-1:2007 Sections 1 thru 5.

Other buckets are available and offerings vary by region. Consult your local Cat dealer for further details.

966 Waste & Scrap Handler Specifications

Operating Specifications – Buckets

| Linkage | | Standard Linkage |
|--|-----------------|-----------------------------|
| Bucket Type | | Waste, Top Clamp – Pin-On |
| Edge Type | | Steel Bolt-On Cutting Edges |
| Capacity – Rated | m ³ | 5.00 |
| | yd ³ | 6.50 |
| Capacity – Rated at 110% Fill Factor | m ³ | 5.50 |
| | yd ³ | 7.25 |
| Width | mm | 3357 |
| | ft/in | 11'0" |
| 16 † Dump Clearance at Maximum Lift and 45° Discharge | mm | 2457 |
| | ft/in | 8'0" |
| 17 † Reach at Maximum Lift and 45° Discharge | mm | 1740 |
| | ft/in | 5'8" |
| Reach at Level Lift Arm and Bucket Level | mm | 3501 |
| | ft/in | 11'5" |
| A † Digging Depth | mm | 78 |
| | in | 3.0" |
| 12 † Overall Length | mm | 9435 |
| | ft/in | 31'0" |
| B † Overall Height with Bucket at Maximum Lift | mm | 5516 |
| | ft/in | 18'2" |
| Loader Clearance Circle Radius with Bucket at Carry Position | mm | 7768 |
| | ft/in | 25'6" |
| Static Tipping Load, Straight (With tire deflection) | kg | 16 608 |
| | lb | 36,615 |
| Static Tipping Load, Straight (No tire deflection) | kg | 17 923 |
| | lb | 39,503 |
| Static Tipping Load, Articulated (With tire deflection) | kg | 14 949 |
| | lb | 32,956 |
| Static Tipping Load, Articulated (No tire deflection) | kg | 16 275 |
| | lb | 35,872 |
| Breakout Force (§) | kN | 112 |
| | lbf | 25,206 |
| Operating Weight* | kg | 29 916 |
| | lb | 65,933 |

* Static tipping loads and operating weights shown are based on a machine configuration with Brawler 26.5X25 Smooth solid tires, full fluids, operator, cab precleaner, fabricated counterweight with rear guard (1300 kg), flat window glass with front guard, industrial package, ride control, standard starting, narrow fenders, turbine engine precleaner, Product Link, auto diff lock axles (front/rear), power train guard, standard steering, industrial sound suppression and variable pitch fan.

† Illustration shown with Dimension charts.

(§) Measured 100 mm (4") behind tip of cutting edge with bucket hinge pin as pivot point in accordance with ISO 14397-2:2007.

(With tire deflection) Full compliance to ISO 14397-1:2007 Sections 1 thru 6, which requires 2% verification between calculations and testing.

(No tire deflection) Compliance to ISO 14397-1:2007 Sections 1 thru 5.

Other buckets are available and offerings vary by region. Consult your local Cat dealer for further details.

966 Waste & Scrap Handler Specifications

Operating Specifications – Buckets

| Linkage | | High Lift Linkage | | | | | |
|--|-----------------|------------------------------------|--------------------|--------|-----------------------|--------------------|--------|
| Bucket Type | | General Purpose – Hook-On – Fusion | | | | | |
| Edge Type | | Bolt-On Cutting Edges | Teeth and Segments | Tips | Bolt-On Cutting Edges | Teeth and Segments | Tips |
| Capacity – Rated | m ³ | 4.20 | 4.20 | 4.00 | 3.80 | 3.80 | 3.60 |
| | yd ³ | 5.50 | 5.50 | 5.25 | 5.00 | 5.00 | 4.75 |
| Capacity – Rated at 110% Fill Factor | m ³ | 4.60 | 4.60 | 4.40 | 4.20 | 4.20 | 4.00 |
| | yd ³ | 6.00 | 6.00 | 5.75 | 5.50 | 5.50 | 5.25 |
| Width | mm | 3220 | 3271 | 3271 | 3220 | 3271 | 3271 |
| | ft/in | 10'6" | 10'8" | 10'8" | 10'6" | 10'8" | 10'8" |
| 16 † Dump Clearance at Maximum Lift and 45° Discharge | mm | 3556 | 3402 | 3402 | 3634 | 3482 | 3482 |
| | ft/in | 11'8" | 11'1" | 11'1" | 11'11" | 11'5" | 11'5" |
| 17 † Reach at Maximum Lift and 45° Discharge | mm | 1382 | 1519 | 1519 | 1310 | 1450 | 1450 |
| | ft/in | 4'6" | 4'11" | 4'11" | 4'3" | 4'9" | 4'9" |
| Reach at Level Lift Arm and Bucket Level | mm | 3270 | 3475 | 3475 | 3160 | 3365 | 3365 |
| | ft/in | 10'8" | 11'4" | 11'4" | 10'4" | 11'0" | 11'0" |
| A † Digging Depth | mm | 53 | 53 | 23 | 61 | 61 | 31 |
| | in | 2.1" | 2.1" | 0.9" | 2.4" | 2.4" | 1.2" |
| 12 † Overall Length | mm | 9274 | 9496 | 9496 | 9170 | 9392 | 9392 |
| | ft/in | 30'6" | 31'2" | 31'2" | 30'2" | 30'10" | 30'10" |
| B † Overall Height with Bucket at Maximum Lift | mm | 6556 | 6556 | 6556 | 6399 | 6399 | 6399 |
| | ft/in | 21'7" | 21'7" | 21'7" | 21'0" | 21'0" | 21'0" |
| Loader Clearance Circle Radius with Bucket at Carry Position | mm | 7778 | 7878 | 7878 | 7747 | 7845 | 7845 |
| | ft/in | 25'7" | 25'11" | 25'11" | 25'5" | 25'9" | 25'9" |
| Static Tipping Load, Straight (With tire deflection) | kg | 16 503 | 16 328 | 16 638 | 16 725 | 16 550 | 16 865 |
| | lb | 36,383 | 35,996 | 36,680 | 36,872 | 36,487 | 37,182 |
| Static Tipping Load, Straight (No tire deflection) | kg | 17 608 | 17 431 | 17 750 | 17 825 | 17 648 | 17 972 |
| | lb | 38,809 | 38,418 | 39,122 | 39,286 | 38,896 | 39,611 |
| Static Tipping Load, Articulated (With tire deflection) | kg | 14 933 | 14 757 | 15 058 | 15 144 | 14 969 | 15 274 |
| | lb | 32,921 | 32,534 | 33,197 | 33,386 | 33,000 | 33,674 |
| Static Tipping Load, Articulated (No tire deflection) | kg | 16 053 | 15 875 | 16 185 | 16 258 | 16 081 | 16 395 |
| | lb | 35,381 | 34,990 | 35,672 | 35,832 | 35,442 | 36,135 |
| Breakout Force (§) | kN | 154 | 152 | 162 | 167 | 165 | 177 |
| | lbf | 34,684 | 34,165 | 36,535 | 37,665 | 37,129 | 39,857 |
| Operating Weight* | kg | 28 813 | 28 951 | 28 788 | 28 750 | 28 888 | 28 725 |
| | lb | 63,504 | 63,808 | 63,448 | 63,364 | 63,668 | 63,308 |

* Static tipping loads and operating weights shown are based on a machine configuration with Brawler 26.5X25 Smooth solid tires, full fluids, operator, cab precleaner, fabricated counterweight with rear guard (1300 kg), flat window glass with front guard, industrial package, ride control, standard starting, narrow fenders, turbine engine precleaner, Product Link, auto diff lock axles (front/rear), power train guard, standard steering, industrial sound suppression and variable pitch fan.

† Illustration shown with Dimension charts.

(§) Measured 100 mm (4") behind tip of cutting edge with bucket hinge pin as pivot point in accordance with ISO 14397-2:2007.

(With tire deflection) Full compliance to ISO 14397-1:2007 Sections 1 thru 6, which requires 2% verification between calculations and testing.

(No tire deflection) Compliance to ISO 14397-1:2007 Sections 1 thru 5.

Other buckets are available and offerings vary by region. Consult your local Cat dealer for further details.

966 Waste & Scrap Handler Specifications

Operating Specifications – Buckets

| Linkage | | High Lift Linkage | | | | | |
|--|-----------------|------------------------------------|--------------------|--------|--------------------------|--------------------|--------|
| Bucket Type | | General Purpose – Hook-On – Fusion | | | General Purpose – Pin-On | | |
| Edge Type | | Bolt-On Cutting Edges | Teeth and Segments | Tips | Bolt-On Cutting Edges | Teeth and Segments | Tips |
| Capacity – Rated | m ³ | 4.60 | 4.60 | 4.40 | 4.60 | 4.60 | 4.40 |
| | yd ³ | 6.00 | 6.00 | 5.75 | 6.00 | 6.00 | 5.75 |
| Capacity – Rated at 110% Fill Factor | m ³ | 5.10 | 5.10 | 4.80 | 5.10 | 5.10 | 4.80 |
| | yd ³ | 6.75 | 6.75 | 6.25 | 6.75 | 6.75 | 6.25 |
| Width | mm | 3220 | 3271 | 3271 | 3264 | 3301 | 3301 |
| | ft/in | 10'6" | 10'8" | 10'8" | 10'8" | 10'9" | 10'9" |
| 16 † Dump Clearance at Maximum Lift and 45° Discharge | mm | 3543 | 3389 | 3389 | 3573 | 3415 | 3415 |
| | ft/in | 11'7" | 11'1" | 11'1" | 11'8" | 11'2" | 11'2" |
| 17 † Reach at Maximum Lift and 45° Discharge | mm | 1384 | 1522 | 1522 | 1348 | 1483 | 1483 |
| | ft/in | 4'6" | 4'11" | 4'11" | 4'5" | 4'10" | 4'10" |
| Reach at Level Lift Arm and Bucket Level | mm | 3280 | 3485 | 3485 | 3233 | 3439 | 3439 |
| | ft/in | 10'9" | 11'5" | 11'5" | 10'7" | 11'3" | 11'3" |
| A † Digging Depth | mm | 60 | 60 | 30 | 61 | 61 | 31 |
| | in | 2.3" | 2.3" | 1.1" | 2.4" | 2.4" | 1.2" |
| 12 † Overall Length | mm | 9289 | 9511 | 9511 | 9243 | 9469 | 9469 |
| | ft/in | 30'6" | 31'3" | 31'3" | 30'4" | 31'1" | 31'1" |
| B † Overall Height with Bucket at Maximum Lift | mm | 6634 | 6634 | 6634 | 6607 | 6607 | 6607 |
| | ft/in | 21'10" | 21'10" | 21'10" | 21'9" | 21'9" | 21'9" |
| Loader Clearance Circle Radius with Bucket at Carry Position | mm | 7784 | 7884 | 7884 | 7772 | 7863 | 7863 |
| | ft/in | 25'7" | 25'11" | 25'11" | 25'6" | 25'10" | 25'10" |
| Static Tipping Load, Straight (With tire deflection) | kg | 16 608 | 16 430 | 16 739 | 17 084 | 16 800 | 17 117 |
| | lb | 36,615 | 36,222 | 36,903 | 37,664 | 37,037 | 37,737 |
| Static Tipping Load, Straight (No tire deflection) | kg | 17 751 | 17 570 | 17 891 | 18 235 | 17 947 | 18 273 |
| | lb | 39,124 | 38,726 | 39,432 | 40,191 | 39,555 | 40,274 |
| Static Tipping Load, Articulated (With tire deflection) | kg | 15 018 | 14 840 | 15 139 | 15 482 | 15 199 | 15 506 |
| | lb | 33,108 | 32,716 | 33,376 | 34,132 | 33,507 | 34,184 |
| Static Tipping Load, Articulated (No tire deflection) | kg | 16 174 | 15 994 | 16 305 | 16 648 | 16 359 | 16 675 |
| | lb | 35,649 | 35,251 | 35,936 | 36,692 | 36,057 | 36,753 |
| Breakout Force (§) | kN | 152 | 150 | 160 | 157 | 153 | 164 |
| | lbf | 34,285 | 33,768 | 36,100 | 35,467 | 34,587 | 37,021 |
| Operating Weight* | kg | 28 927 | 29 065 | 28 902 | 28 526 | 28 698 | 28 537 |
| | lb | 63,755 | 64,059 | 63,700 | 62,870 | 63,249 | 62,894 |

* Static tipping loads and operating weights shown are based on a machine configuration with Brawler 26.5X25 Smooth solid tires, full fluids, operator, cab precleaner, fabricated counterweight with rear guard (1300 kg), flat window glass with front guard, industrial package, ride control, standard starting, narrow fenders, turbine engine precleaner, Product Link, auto diff lock axles (front/rear), power train guard, standard steering, industrial sound suppression and variable pitch fan.

† Illustration shown with Dimension charts.

(§) Measured 100 mm (4") behind tip of cutting edge with bucket hinge pin as pivot point in accordance with ISO 14397-2:2007.

(With tire deflection) Full compliance to ISO 14397-1:2007 Sections 1 thru 6, which requires 2% verification between calculations and testing.

(No tire deflection) Compliance to ISO 14397-1:2007 Sections 1 thru 5.

Other buckets are available and offerings vary by region. Consult your local Cat dealer for further details.

966 Waste & Scrap Handler Specifications

Operating Specifications – Buckets

| Linkage | | High Lift Linkage | | | | | |
|--|-----------------|--------------------------|--------|-----------------------|--------|-----------------------|--------|
| Bucket Type | | General Purpose – Pin-On | | | | | |
| Edge Type | | Bolt-On Cutting Edges | | Bolt-On Cutting Edges | | Bolt-On Cutting Edges | |
| | | Tips | Tips | Tips | Tips | Tips | Tips |
| Capacity – Rated | m ³ | 3.80 | 3.60 | 4.20 | 4.00 | 4.00 | 3.80 |
| | yd ³ | 5.00 | 4.75 | 5.50 | 5.25 | 5.25 | 5.00 |
| Capacity – Rated at 110% Fill Factor | m ³ | 4.20 | 4.00 | 4.60 | 4.40 | 4.40 | 4.20 |
| | yd ³ | 5.50 | 5.25 | 6.00 | 5.75 | 5.75 | 5.50 |
| Width | mm | 3220 | 3271 | 3220 | 3271 | 3220 | 3271 |
| | ft/in | 10'6" | 10'8" | 10'6" | 10'8" | 10'6" | 10'8" |
| 16† Dump Clearance at Maximum Lift and 45° Discharge | mm | 3663 | 3511 | 3587 | 3433 | 3654 | 3501 |
| | ft/in | 12'0" | 11'6" | 11'9" | 11'3" | 11'11" | 11'5" |
| 17† Reach at Maximum Lift and 45° Discharge | mm | 1276 | 1415 | 1336 | 1474 | 1283 | 1422 |
| | ft/in | 4'2" | 4'7" | 4'4" | 4'10" | 4'2" | 4'7" |
| Reach at Level Lift Arm and Bucket Level | mm | 3116 | 3321 | 3215 | 3420 | 3128 | 3332 |
| | ft/in | 10'2" | 10'10" | 10'6" | 11'2" | 10'3" | 10'11" |
| A† Digging Depth | mm | 61 | 31 | 61 | 31 | 61 | 31 |
| | in | 2.4" | 1.2" | 2.4" | 1.2" | 2.4" | 1.2" |
| 12† Overall Length | mm | 9125 | 9347 | 9225 | 9447 | 9137 | 9359 |
| | ft/in | 30'0" | 30'8" | 30'4" | 31'0" | 30'0" | 30'9" |
| B† Overall Height with Bucket at Maximum Lift | mm | 6373 | 6373 | 6484 | 6484 | 6484 | 6484 |
| | ft/in | 20'11" | 20'11" | 21'4" | 21'4" | 21'4" | 21'4" |
| Loader Clearance Circle Radius with Bucket at Carry Position | mm | 7718 | 7812 | 7747 | 7842 | 7721 | 7815 |
| | ft/in | 25'4" | 25'8" | 25'5" | 25'9" | 25'4" | 25'8" |
| Static Tipping Load, Straight (With tire deflection) | kg | 17 281 | 17 283 | 17 090 | 17 135 | 17 264 | 17 304 |
| | lb | 38,098 | 38,102 | 37,676 | 37,776 | 38,061 | 38,149 |
| Static Tipping Load, Straight (No tire deflection) | kg | 18 401 | 18 387 | 18 215 | 18 258 | 18 393 | 18 431 |
| | lb | 40,556 | 40,525 | 40,146 | 40,241 | 40,539 | 40,622 |
| Static Tipping Load, Articulated (With tire deflection) | kg | 15 682 | 15 680 | 15 497 | 15 532 | 15 662 | 15 693 |
| | lb | 34,573 | 34,569 | 34,164 | 34,243 | 34,529 | 34,597 |
| Static Tipping Load, Articulated (No tire deflection) | kg | 16 817 | 16 798 | 16 636 | 16 669 | 16 806 | 16 833 |
| | lb | 37,065 | 37,024 | 36,667 | 36,739 | 37,041 | 37,101 |
| Breakout Force (§) | kN | 173 | 184 | 160 | 169 | 172 | 182 |
| | lbf | 39,085 | 41,447 | 36,129 | 38,141 | 38,656 | 40,968 |
| Operating Weight* | kg | 28 335 | 28 310 | 28 443 | 28 418 | 28 387 | 28 362 |
| | lb | 62,450 | 62,394 | 62,688 | 62,632 | 62,564 | 62,508 |

* Static tipping loads and operating weights shown are based on a machine configuration with Brawler 26.5X25 Smooth solid tires, full fluids, operator, cab precleaner, fabricated counterweight with rear guard (1300 kg), flat window glass with front guard, industrial package, ride control, standard starting, narrow fenders, turbine engine precleaner, Product Link, auto diff lock axles (front/rear), power train guard, standard steering, industrial sound suppression and variable pitch fan.

† Illustration shown with Dimension charts.

(§) Measured 100 mm (4") behind tip of cutting edge with bucket hinge pin as pivot point in accordance with ISO 14397-2:2007.

(With tire deflection) Full compliance to ISO 14397-1:2007 Sections 1 thru 6, which requires 2% verification between calculations and testing.

(No tire deflection) Compliance to ISO 14397-1:2007 Sections 1 thru 5.

Other buckets are available and offerings vary by region. Consult your local Cat dealer for further details.

966 Waste & Scrap Handler Specifications

Operating Specifications – Buckets

| Linkage | | High Lift Linkage | | | |
|---|-----------------|---------------------------------|--------------------------------|-----------------------------------|--------------------------------|
| Bucket Type | | High Dump – Hook-On – Fusion | Waste, Dozing – Pin-On | Waste, Load and Carry – Pin-On | Waste, Top Clamp – Pin-On |
| Edge Type | | Bolt-On Cutting Edges | Steel Bolt-On Cutting Edges | Steel Bolt-On Cutting Edges | Steel Bolt-On Cutting Edges |
| Capacity – Rated | m ³ | 5.35 | 6.50 | 7.40 | 5.00 |
| | yd ³ | 7.00 | 8.50 | 9.75 | 6.50 |
| Capacity – Rated at 110% Fill Factor | m ³ | 5.90 | 7.20 | 8.10 | 5.50 |
| | yd ³ | 7.75 | 9.50 | 10.50 | 7.25 |
| Width | mm | 3059 | 3357 | 3357 | 3357 |
| | ft/in | 10'0" | 11'0" | 11'0" | 11'0" |
| 16 † Dump Clearance at Maximum Lift and 45° Discharge | mm | 3187 | 3509 | 3228 | 3015 |
| | ft/in | 10'5" | 11'6" | 10'7" | 9'10" |
| 17 † Reach at Maximum Lift and 45° Discharge | mm | 1555 | 1221 | 1501 | 1715 |
| | ft/in | 5'1" | 4'0" | 4'11" | 5'7" |
| Reach at Level Lift Arm and Bucket Level | mm | 3670 | 3206 | 3603 | 3905 |
| | ft/in | 12'0" | 10'6" | 11'9" | 12'9" |
| A † Digging Depth | mm | 84 | 93 | 53 | 53 |
| | in | 3.3" | 3.6" | 2.0" | 2.0" |
| 12 † Overall Length | mm | 9695 | 9237 | 9634 | 9936 |
| | ft/in | 31'10" | 30'4" | 31'8" | 32'8" |
| B † Overall Height with Bucket at Maximum Lift | mm | 6780 | 7158 | 6935 | 6074 |
| | ft/in | 22'3" | 23'6" | 22'10" | 20'0" |
| Loader Clearance Circle Radius with Bucket at Carry Position | mm | 7853 | 7817 | 7937 | 8032 |
| | ft/in | 25'10" | 25'8" | 26'1" | 26'5" |
| Static Tipping Load, Straight (With tire deflection) | kg | 15 443 | 17 196 | 15 798 | 13 948 |
| | lb | 34,046 | 37,911 | 34,828 | 30,750 |
| Static Tipping Load, Straight (No tire deflection) | kg | 16 583 | 18 524 | 16 982 | 14 948 |
| | lb | 36,550 | 40,827 | 37,428 | 32,947 |
| Static Tipping Load, Articulated (With tire deflection) | kg | 13 898 | 15 524 | 14 225 | 12 481 |
| | lb | 30,640 | 34,225 | 31,361 | 27,516 |
| Static Tipping Load, Articulated (No tire deflection) | kg | 15 052 | 16 863 | 15 423 | 13 499 |
| | lb | 33,175 | 37,166 | 33,993 | 29,752 |
| Breakout Force (§) | kN | 116 | 155 | 124 | 102 |
| | lbf | 26,107 | 35,038 | 28,070 | 22,995 |
| Operating Weight* | kg | 29 445 | 29 140 | 29 364 | 30 151 |
| | lb | 64,895 | 64,224 | 64,717 | 66,452 |

* Static tipping loads and operating weights shown are based on a machine configuration with Brawler 26.5X25 Smooth solid tires, full fluids, operator, cab precleaner, fabricated counterweight with rear guard (1300 kg), flat window glass with front guard, industrial package, ride control, standard starting, narrow fenders, turbine engine precleaner, Product Link, auto diff lock axles (front/rear), power train guard, standard steering, industrial sound suppression and variable pitch fan.

† Illustration shown with Dimension charts.

(§) Measured 100 mm (4") behind tip of cutting edge with bucket hinge pin as pivot point in accordance with ISO 14397-2:2007.

(With tire deflection) Full compliance to ISO 14397-1:2007 Sections 1 thru 6, which requires 2% verification between calculations and testing.

(No tire deflection) Compliance to ISO 14397-1:2007 Sections 1 thru 5.

Other buckets are available and offerings vary by region. Consult your local Cat dealer for further details.



966

Forestry Machine

The Cat® 966 Wheel Loader Forestry Package provides the additional performance, productivity, and safety that is demanded in the woods and the millyard.

Proven Reliability

- Cat C9.3B engine offers high power density with a combination of proven electronics, fuel, and air systems.
- Features an electric fuel priming pump, fuel-water separator, and secondary filtration system.
- Thorough component design and machine validation processes result in unmatched reliability and uptime.

Durability

- Forestry package includes an extreme service transmission and a lift arm with additional weld treatments for added durability
- Heavy-duty axles are designed to handle extreme applications.

Superior Fuel Efficiency & Productivity

- Forestry package includes additional counterweight, a larger tilt cylinder, and increased tilt relief pressure to increase machine capacity over the base model.
- Optional variable pitch fan and high debris coolers minimize the potential for overheating and reduce downtime for radiator clean out in high debris applications.
- Optional 3rd and 4th valve auxiliary hydraulics to control work tools requiring the additional function.
- Powershift transmission with lock-up clutch increases fuel efficiency while delivering optimal performance.
- Single clutch and lock-to-lock shifting for faster acceleration and speed on grades.
- Automatic idle engine shutdown system significantly reduces idle time, overall operating hours, and fuel consumption.
- Deeply integrated engine, power train, and hydraulic systems deliver unmatched productivity and fuel efficiency.

Safety Features

- Optional window guards provide added protection.
- Rear-vision camera enhances visibility behind the machine, helping you work safely and confidently.
- Optional Multiview (360°) vision system helps the operator monitor the surroundings of the machine at all times.
- Optional Cat Detect radar technology enhances awareness by monitoring the working environment and alerts operators to hazards.
- Cab access with wide door, optional remote door opening, and stair-like steps add solid stability.
- Floor-to-ceiling windshield, large mirrors with integrated spot mirrors, and rear-vision camera provide industry leading all-around visibility.

Reduced Maintenance Time and Costs

- Extended fluid and filter change intervals reduce maintenance costs by up to 15%.
- Optional turbine engine air precleaner improves air filter life.
- Remote Troubleshoot can connect the machine to the dealer service department to help diagnose problems quickly so you can get back to work.
- Remote Flash works around your schedule to ensure your machine's software is up to date for optimal performance.
- The Cat App helps you manage fleet location, hours, and maintenance schedules; it also alerts you for required maintenance and allows you to request service from your local Cat dealer.
- One-piece tilting hood makes engine compartment access fast and easy.

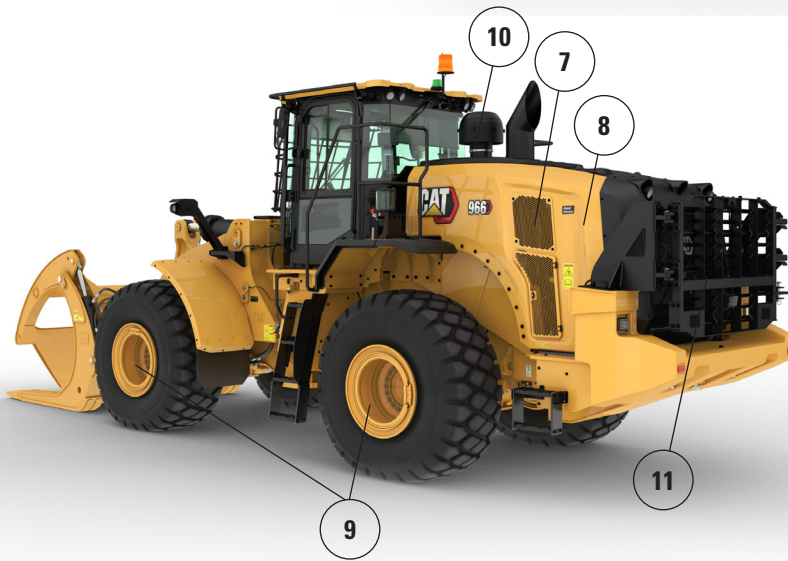
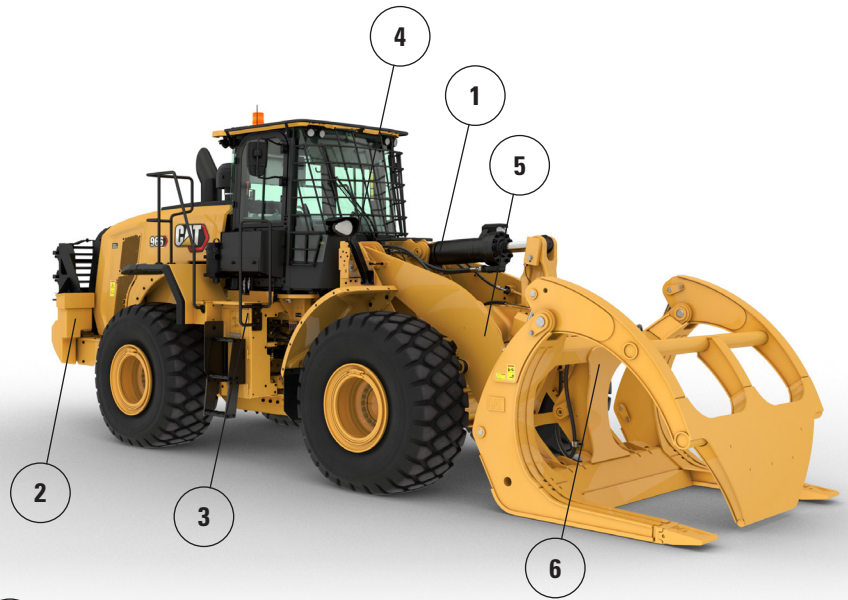
Work in Comfort in the All New Cab

- Optional powered cabin precleaner filters the incoming air and pressurize the cab.
- Next-generation, easily adjustable seat and suspension for improved operator comfort. It comes in three trim levels and can be equipped with a 4-point harness.
- New in-cab dashboard and high-resolution touch display(s) are easy to use, intuitive, and user friendly.
- Sound suppression, seals, and viscous cab mounts decrease noise and vibration for a quieter work environment.
- HMU steering wheel offers low-effort and precise machine steering. The optional seat-mounted electro-hydraulic joystick steering system provides precision control and dramatically reduces arm fatigue, resulting in excellent comfort and accuracy.

966 Forestry Machine Specifications

966 Forestry Machine Features

1. Larger tilt cylinder and relief valves for increased load control in fork applications
2. Heavier counterweight provides increased tipping loads in a millyard application
3. Extreme service transmission maintains durability
4. Optional window guards provide added protection
5. Optional 3rd and 4th function hydraulics provide auxiliary hydraulic control for work tools like millyard or logging forks
6. Wide range of millyard work tools



7. Optional variable pitch fan help to keep rear grill and cooling cores clean in high debris applications
8. Optional high debris/wide fin spacing cooling cores are less prone to plugging
9. Optional axle oil cooler provides lower axle oil temperatures in high braking applications
10. Optional engine and cab precleaners for use in high debris applications
11. Optional rear guard protects the rear grill and cooling package from impact

966 Forestry Machine Specifications

Tire Options

| Tire Brand | BRIDGESTONE | BRIDGESTONE | BRIDGESTONE | MICHELIN | MICHELIN | MAXAM |
|--|------------------|--------------------|--------------------|--------------------|--------------------|------------------|
| Tire Size | 26.5R25 | 26.5R25 | 775/65R29 | 26.5R25 | 775/65R29 | 26.5R25 |
| Tread Type | L3 | L4 | L3 | L3 | L3 | L3 |
| Tread Pattern | VJT | VSNT | VTS | XHA2 | XHA2 | MS302 |
| Casing Strength | * | * | * | ** | * | ** |
| Width over Tires – Maximum (empty)* | 2978 mm 9'10" | 2960 mm 9'9" | 3046 mm 10'0" | 2986 mm 9'10" | 3019 mm 9'11" | 2972 mm 9'9" |
| Width over Tires – Maximum (loaded)* | 3012 mm 9'11" | 2991 mm 9'10" | 3070 mm 10'1" | 3016 mm 9'11" | 3049 mm 10'1" | 2947 mm 9'9" |
| Change in Vertical Dimensions (average of front and rear) | | 26 mm 1.0" | 11 mm 0.4" | -11 mm -0.4" | 4 mm 0.1" | 14 mm 0.5" |
| Change in Horizontal Reach | | -21 mm -0.8" | -1 mm 0" | 3 mm 0.1" | 2 mm 0.1" | -7 mm -0.3" |
| Change in Clearance Circle to Outside of Tires | | -21 mm -0.8" | 58 mm 2.3" | 5 mm 0.2" | 38 mm 1.5" | -65 mm -2.6" |
| Change in Clearance Circle to Inside of Tires | | 21 mm 0.8" | -58 mm -2.3" | -5 mm -0.2" | -38 mm -1.5" | 65 mm 2.6" |
| Change in Operating Weight (without Ballast) | | 460 kg 1,014 lb | 692 lb 1,525 lb | -164 kg -362 lb | 504 kg 1,110 lb | -16 kg -35 lb |
| Change in Static Tipping Load – Straight | | 334 kg 735 lb | 501 kg 1,106 lb | -119 kg -262 lb | 365 kg 805 lb | -12 kg -26 lb |
| Change in Static Tipping Load – Articulated | | 297 kg 654 lb | 446 kg 984 lb | -106 kg -233 lb | 325 kg 716 lb | -10 kg -23 lb |
| Rear Axle Oscillation Angle | ±13 degrees | ±13 degrees | ±8 degrees | ±13 degrees | ±8 degrees | ±13 degrees |
| Maximum Single-wheel Rise and Fall | 502 mm 1'8" | 502 mm 1'8" | 310 mm 1'1" | 502 mm 1'8" | 310 mm 1'1" | 502 mm 1'8" |

*Width over tire bulge and includes tire growth.

Operating Specifications – Buckets

| Linkage | | Forestry Linkage | | | | | |
|--|-----------------|------------------------------|-----------------------|-----------------------|-----------------------|-----------------------|-----------------------|
| Bucket Type | | High Dump – Hook-On – Fusion | | | High Dump – Pin-On | | |
| Edge Type | | Bolt-On Cutting Edges | Bolt-On Cutting Edges | Bolt-On Cutting Edges | Bolt-On Cutting Edges | Bolt-On Cutting Edges | Bolt-On Cutting Edges |
| Capacity – Rated | m ³ | 7.60 | 9.20 | 11.10 | 7.60 | 9.20 | 11.10 |
| | yd ³ | 10.00 | 12.00 | 14.50 | 10.00 | 12.00 | 14.50 |
| Capacity – Rated at 110% Fill Factor | m ³ | 8.40 | 10.10 | 12.20 | 8.40 | 10.10 | 12.20 |
| | yd ³ | 11.00 | 13.25 | 16.00 | 11.00 | 13.25 | 16.00 |
| Width | mm | 3350 | 3656 | 3656 | 3350 | 3656 | 3656 |
| | ft/in | 10'11" | 11'11" | 11'11" | 10'11" | 11'11" | 11'11" |
| 16 † Dump Clearance at Maximum Lift and 45° Discharge | mm | 2412 | 2356 | 2200 | 2426 | 2370 | 2214 |
| | ft/in | 7'10" | 7'8" | 7'2" | 7'11" | 7'9" | 7'3" |
| 17 † Reach at Maximum Lift and 45° Discharge | mm | 1790 | 1846 | 2002 | 1776 | 1832 | 1988 |
| | ft/in | 5'10" | 6'0" | 6'6" | 5'9" | 6'0" | 6'6" |
| Reach at Level Lift Arm and Bucket Level | mm | 3545 | 3625 | 3845 | 3525 | 3605 | 3825 |
| | ft/in | 11'7" | 11'10" | 12'7" | 11'6" | 11'9" | 12'6" |
| A † Digging Depth | mm | 84 | 84 | 84 | 84 | 84 | 84 |
| | in | 3.3" | 3.3" | 3.3" | 3.3" | 3.3" | 3.3" |
| 12 † Overall Length | mm | 9764 | 9844 | 10 064 | 9744 | 9824 | 10 044 |
| | ft/in | 32'1" | 32'4" | 33'1" | 32'0" | 32'3" | 33'0" |
| B † Overall Height with Bucket at Maximum Lift | mm | 6406 | 6488 | 6712 | 6394 | 6476 | 6700 |
| | ft/in | 21'1" | 21'4" | 22'1" | 21'0" | 21'3" | 22'0" |
| Loader Clearance Circle Radius with Bucket at Carry Position | mm | 7802 | 7963 | 8032 | 7795 | 7956 | 8023 |
| | ft/in | 25'8" | 26'2" | 26'5" | 25'7" | 26'2" | 26'4" |
| Static Tipping Load, Straight (With tire deflection) | kg | 17 390 | 17 110 | 16 746 | 17 849 | 17 570 | 17 200 |
| | lb | 38,329 | 37,711 | 36,909 | 39,339 | 38,724 | 37,910 |
| Static Tipping Load, Straight (No tire deflection) | kg | 18 859 | 18 589 | 18 255 | 19 327 | 19 060 | 18 720 |
| | lb | 41,567 | 40,972 | 40,234 | 42,598 | 42,008 | 41,261 |
| Static Tipping Load, Articulated (With tire deflection) | kg | 14 963 | 14 687 | 14 336 | 15 412 | 15 137 | 14 780 |
| | lb | 32,980 | 32,372 | 31,597 | 33,969 | 33,362 | 32,576 |
| Static Tipping Load, Articulated (No tire deflection) | kg | 16 457 | 16 192 | 15 869 | 16 916 | 16 652 | 16 325 |
| | lb | 36,272 | 35,687 | 34,977 | 37,283 | 36,701 | 35,982 |
| Breakout Force (§) | kN | 142 | 135 | 120 | 143 | 136 | 122 |
| | lbf | 31,958 | 30,412 | 27,122 | 32,331 | 30,762 | 27,416 |
| Operating Weight* | kg | 26 369 | 26 585 | 26 792 | 25 891 | 26 107 | 26 314 |
| | lb | 58,118 | 58,594 | 59,050 | 57,062 | 57,538 | 57,995 |

* Static tipping loads and operating weights shown are based on a machine configuration with Bridgestone 26.5R25 VJT L3 radial tires, full fluids, operator, axle oil cooler, logger counterweight, ride control, cold start, roading fenders, Product Link, manual diff lock/open axles (front/rear), logger package, power train guard, secondary steering and sound suppression.

† Illustration shown with Dimension charts.

(§) Measured 100 mm (4") behind tip of cutting edge with bucket hinge pin as pivot point in accordance with ISO 14397-2:2007.

(With tire deflection) Full compliance to ISO 14397-1:2007 Sections 1 thru 6, which requires 2% verification between calculations and testing.

(No tire deflection) Compliance to ISO 14397-1:2007 Sections 1 thru 5.

Other buckets are available and offerings vary by region. Consult your local Cat dealer for further details.

966 Forestry Machine Specifications

Operating Specifications – Buckets

| Linkage | | Forestry Linkage | | | | |
|--|-----------------|---------------------------------|-----------------------|-----------------------|-----------------------------|-----------------------|
| Bucket Type | | High Dump – Hook-On – VCE Large | | | Woodchip – Hook-On – Fusion | Woodchip – Pin-On |
| Edge Type | | Bolt-On Cutting Edges | Bolt-On Cutting Edges | Bolt-On Cutting Edges | Bolt-On Cutting Edges | Bolt-On Cutting Edges |
| Capacity – Rated | m ³ | 7.60 | 9.20 | 11.10 | 11.90 | 11.90 |
| | yd ³ | 10.00 | 12.00 | 14.50 | 15.50 | 15.50 |
| Capacity – Rated at 110% Fill Factor | m ³ | 8.40 | 10.10 | 12.20 | 13.10 | 13.10 |
| | yd ³ | 11.00 | 13.25 | 16.00 | 17.25 | 17.25 |
| Width | mm | 3350 | 3656 | 3656 | 3943 | 3943 |
| | ft/in | 10'11" | 11'11" | 11'11" | 12'11" | 12'11" |
| 16 † Dump Clearance at Maximum Lift and 45° Discharge | mm | 2339 | 2282 | 2127 | 2442 | 2442 |
| | ft/in | 7'8" | 7'5" | 6'11" | 8'0" | 8'0" |
| 17 † Reach at Maximum Lift and 45° Discharge | mm | 1881 | 1938 | 2094 | 1771 | 1732 |
| | ft/in | 6'2" | 6'4" | 6'10" | 5'9" | 5'8" |
| Reach at Level Lift Arm and Bucket Level | mm | 3662 | 3742 | 3962 | 3511 | 3483 |
| | ft/in | 12'0" | 12'3" | 12'11" | 11'6" | 11'5" |
| A † Digging Depth | mm | 71 | 71 | 71 | 106 | 134 |
| | in | 2.8" | 2.8" | 2.8" | 4.2" | 5.3" |
| 12 † Overall Length | mm | 9871 | 9951 | 10 171 | 9724 | 9719 |
| | ft/in | 32'5" | 32'8" | 33'5" | 31'11" | 31'11" |
| B † Overall Height with Bucket at Maximum Lift | mm | 6496 | 6578 | 6802 | 6680 | 6689 |
| | ft/in | 21'4" | 21'7" | 22'4" | 21'11" | 22'0" |
| Loader Clearance Circle Radius with Bucket at Carry Position | mm | 7818 | 7980 | 8051 | 8055 | 8026 |
| | ft/in | 25'8" | 26'3" | 26'5" | 26'6" | 26'4" |
| Static Tipping Load, Straight (With tire deflection) | kg | 16 572 | 16 289 | 15 913 | 18 714 | 18 935 |
| | lb | 36,525 | 35,901 | 35,073 | 41,245 | 41,732 |
| Static Tipping Load, Straight (No tire deflection) | kg | 17 975 | 17 700 | 17 346 | 20 361 | 20 529 |
| | lb | 39,617 | 39,011 | 38,232 | 44,876 | 45,245 |
| Static Tipping Load, Articulated (With tire deflection) | kg | 14 225 | 13 947 | 13 586 | 16 151 | 16 399 |
| | lb | 31,352 | 30,740 | 29,944 | 35,597 | 36,143 |
| Static Tipping Load, Articulated (No tire deflection) | kg | 15 655 | 15 385 | 15 047 | 17 817 | 18 014 |
| | lb | 34,505 | 33,910 | 33,164 | 39,269 | 39,703 |
| Breakout Force (§) | kN | 132 | 126 | 113 | 139 | 141 |
| | lbf | 29,808 | 28,395 | 25,413 | 31,266 | 31,780 |
| Operating Weight* | kg | 26 535 | 26 750 | 26 958 | 26 085 | 25 620 |
| | lb | 58,482 | 58,956 | 59,414 | 57,490 | 56,465 |

* Static tipping loads and operating weights shown are based on a machine configuration with Bridgestone 26.5R25 VJT L3 radial tires, full fluids, operator, axle oil cooler, logger counterweight, ride control, cold start, roading fenders, Product Link, manual diff lock/open axles (front/rear), logger package, power train guard, secondary steering and sound suppression.

† Illustration shown with Dimension charts.

(§) Measured 100 mm (4") behind tip of cutting edge with bucket hinge pin as pivot point in accordance with ISO 14397-2:2007.

(With tire deflection) Full compliance to ISO 14397-1:2007 Sections 1 thru 6, which requires 2% verification between calculations and testing.

(No tire deflection) Compliance to ISO 14397-1:2007 Sections 1 thru 5.

Other buckets are available and offerings vary by region. Consult your local Cat dealer for further details.

Fork Specifications

Fork Specifications

| | | | |
|----|---|-----|-------|
| 1 | Tine Length | mm | 1524 |
| | | in | 60.0 |
| 2 | Load Center | mm | 762 |
| | | in | 30.0 |
| | Static Tipping Load - Straight (Forks Level) | kg | 14730 |
| | | lbs | 32464 |
| | Static Tipping Load - Articulated (Forks Level) | kg | 12970 |
| | | lbs | 28586 |
| | Rated Load (SAE J1197 - 50% FTSTL) | kg | 6485 |
| | | lbs | 14293 |
| | Rated Load (CEN EN 474-3 Rough Terrain - 60% FTSTL) | kg | 7782 |
| | | lbs | 17151 |
| | Rated Load (CEN EN 474-3 Firm and Level Ground - 80% FTSTL) | kg | 10376 |
| | | lbs | 22868 |
| 3 | Maximum Overall Length | mm | 9527 |
| | | in | 375.1 |
| 4 | Reach with Forks at Ground Level | mm | 1126 |
| | | in | 44.3 |
| 5 | *Ground to Bottom of Tine at Minimum Height and Fork Level | mm | -166 |
| | | in | -6.5 |
| 6 | Reach with Arms Horizontal and Forks Level | mm | 1694 |
| | | in | 66.7 |
| 7 | Reach with Fork at Maximum Height | mm | 826 |
| | | in | 32.5 |
| 8 | Ground to Top of Tine with Arms Horizontal and Fork Level | mm | 1866 |
| | | in | 73.4 |
| 9 | Ground to Top of Tine at Maximum Height and Fork Level | mm | 3949 |
| | | in | 155.5 |
| 10 | Overall Height of Fork at Full Lift (top of carriage to ground) | mm | 4724 |
| | | in | 186.0 |
| 11 | Clearance at Full Lift and Max Dump | mm | 2652 |
| | | in | 104.4 |
| 12 | Max Discharge Angle from Horizontal | deg | 43 |
| 13 | Overall Carriage Width | mm | 2217 |
| | | in | 87.3 |
| 14 | Overall Carriage Height | mm | 840 |
| | | in | 33.1 |
| 15 | Outside Tine Width (max spread) | mm | 2070 |
| | | in | 81.5 |
| 16 | Outside Tine Width (min spread) | mm | 470 |
| | | in | 18.5 |
| | Tine Width (single tine) | mm | 150.0 |
| | | in | 5.9 |
| | Tine Thickness | mm | 65.0 |
| | | in | 2.6 |
| | Tine Capacity | kg | 6300 |
| | | lbs | 13885 |
| | Operating Weight | kg | 23815 |
| | | lbs | 52488 |

*Negative values indicate below grade

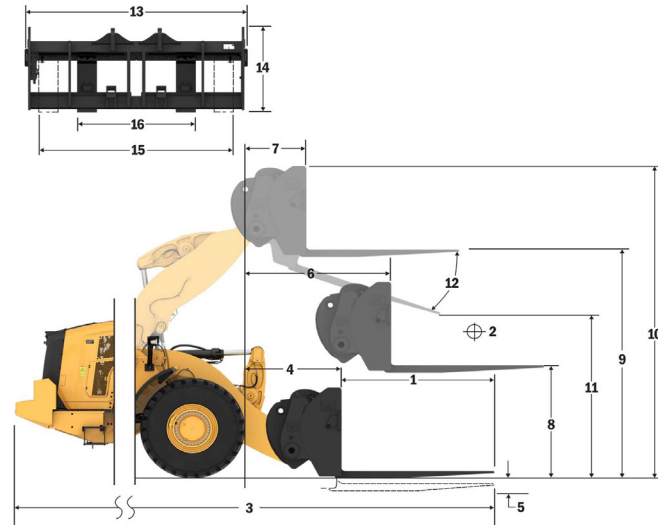
966 LOG Pallet Fork, FUSION

87" Carriage

60" Tine

530-1861

548-3265



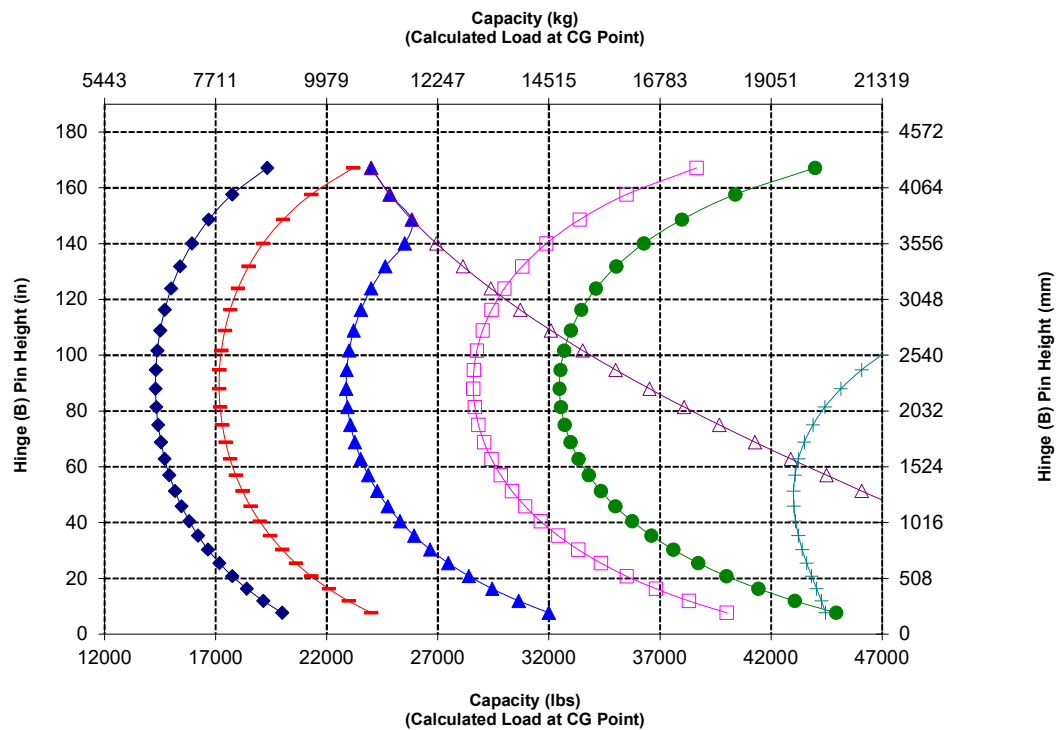
- ◆ Payload (SAE J1197)
- ◆ Payload (CEN EN 474-3 - Rough Terrain)
- ◆ Payload (CEN EN 474-3 - Firm & Level)
- ◆ Static Tipping Load - Articulated
- ◆ Static Tipping Load - Straight
- ◆ Hydraulic TIR Capacity
- ◆ Hydraulic Lift Capacity

NOTE: Static tipping loads and operating weight are based on the following loader configuration: Bridgestone VJT L3 Tires, Air Conditioning, Ride Control, Powertrain Guard, Full Fluids, Fuel Tank, Coolant, Lubricants, and Operator.

Specifications and ratings conform to the following standards: SAE* J1197, ISO 14397-1, CEN** EN 474-3.

The rated operating load for a loader equipped with a pallet fork is determined by:
SAE J1197: 50% of full turn static tipping load or hydraulic limit.
CEN EN 474-3: 60% of full turn static tipping load on rough terrain or hydraulic limit.
CEN EN 474-3: 80% of full turn static tipping load on firm and level ground or hydraulic limit.

*SAE - Society of Automotive Engineers
**CEN - European Committee for Standardization



WARNING: Do not exceed tine load capacity. Individual tine capacity is stamped on the side of each tine.

966 Forestry Machine Specifications

Fork Specifications

Fork Specifications

| | | | |
|----|---|-----|-------|
| 1 | Tine Length | mm | 1830 |
| | | in | 72.0 |
| 2 | Load Center | mm | 915 |
| | | in | 36.0 |
| | Static Tipping Load - Straight (Forks Level) | kq | 14047 |
| | | lbs | 30960 |
| | Static Tipping Load - Articulated (Forks Level) | kq | 12364 |
| | | lbs | 27251 |
| | Rated Load (SAE J1197 - 50% FTSTL) | kq | 6182 |
| | | lbs | 13625 |
| | Rated Load (CEN EN 474-3 Rough Terrain - 60% FTSTL) | kq | 7418 |
| | | lbs | 16350 |
| | Rated Load (CEN EN 474-3 Firm and Level Ground - 80% FTSTL) | kq | 9594 |
| | | lbs | 21146 |
| 3 | Maximum Overall Length | mm | 9833 |
| | | in | 387.1 |
| 4 | Reach with Forks at Ground Level | mm | 1126 |
| | | in | 44.3 |
| 5 | *Ground to Bottom of Tine at Minimum Height and Fork Level | mm | -166 |
| | | in | -6.5 |
| 6 | Reach with Arms Horizontal and Forks Level | mm | 1694 |
| | | in | 66.7 |
| 7 | Reach with Fork at Maximum Height | mm | 826 |
| | | in | 32.5 |
| 8 | Ground to Top of Tine with Arms Horizontal and Fork Level | mm | 1866 |
| | | in | 73.4 |
| 9 | Ground to Top of Tine at Maximum Height and Fork Level | mm | 3949 |
| | | in | 155.5 |
| 10 | Overall Height of Fork at Full Lift (top of carriage to ground) | mm | 4724 |
| | | in | 186.0 |
| 11 | Clearance at Full Lift and Max Dump | mm | 2444 |
| | | in | 96.2 |
| 12 | Max Discharge Angle from Horizontal | deg | 43 |
| 13 | Overall Carriage Width | mm | 2217 |
| | | in | 87.3 |
| 14 | Overall Carriage Height | mm | 840 |
| | | in | 33.1 |
| 15 | Outside Tine Width (max spread) | mm | 2070 |
| | | in | 81.5 |
| 16 | Outside Tine Width (min spread) | mm | 470 |
| | | in | 18.5 |
| | Tine Width (single tine) | mm | 150.0 |
| | | in | 5.9 |
| | Tine Thickness | mm | 65.0 |
| | | in | 2.6 |
| | Tine Capacity | kq | 5246 |
| | | lbs | 11562 |
| | Operating Weight | kq | 23862 |
| | | lbs | 52592 |

*Negative values indicate below grade

966 LOG

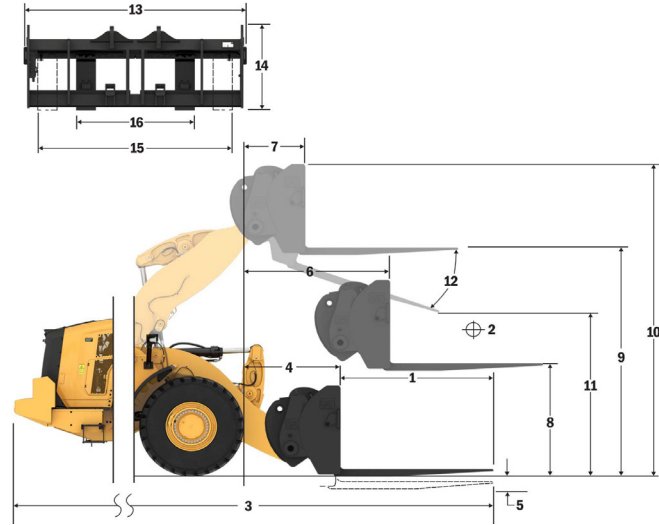
87" Carriage

72" Tine

Pallet Fork, FUSION

530-1861

530-1869



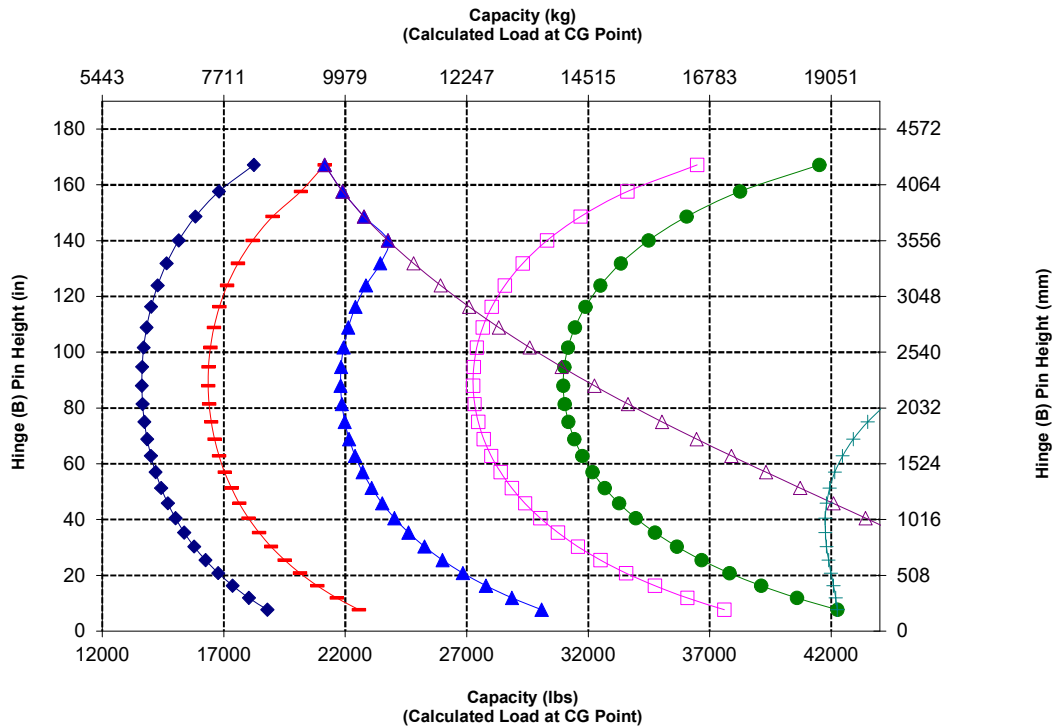
- ◆ Payload (SAE J1197)
- ◆ Payload (CEN EN 474-3 - Rough Terrain)
- ◆ Payload (CEN EN 474-3 - Firm & Level)
- ◆ Static Tipping Load - Articulated
- ◆ Static Tipping Load - Straight
- ◆ Hydraulic TR Capacity
- ◆ Hydraulic LR Capacity

NOTE: Static tipping loads and operating weight are based on the following loader configuration: Bridgestone VJT L3 Tires, Air Conditioning, Ride Control, Powertrain Guard, Full Fluids, Fuel Tank, Coolant, Lubricants, and Operator.

Specifications and ratings conform to the following standards: SAE* J1197, ISO 14397-1, CEN** EN 474-3.

The rated operating load for a loader equipped with a pallet fork is determined by:
 SAE J1197: 50% of full turn static tipping load or hydraulic limit.
 CEN EN 474-3: 60% of full turn static tipping load on rough terrain or hydraulic limit.
 CEN EN 474-3: 80% of full turn static tipping load on firm and level ground or hydraulic limit.

*SAE - Society of Automotive Engineers
 **CEN - European Committee for Standardization



WARNING: Do not exceed tine load capacity. Individual tine capacity is stamped on the side of each tine.

Fork Specifications

Fork Specifications

| | | | |
|----|---|-----|-------|
| 1 | Tine Length | mm | 1219 |
| | | in | 48.0 |
| 2 | Load Center | mm | 610 |
| | | in | 24.0 |
| | Static Tipping Load - Straight (Forks Level) | kq | 15225 |
| | | lbs | 33555 |
| | Static Tipping Load - Articulated (Forks Level) | kq | 13376 |
| | | lbs | 29481 |
| | Rated Load (SAE J1197 - 50% FTSTL) | kq | 6688 |
| | | lbs | 14741 |
| | Rated Load (CEN EN 474-3 Rough Terrain - 60% FTSTL) | kq | 8026 |
| | | lbs | 17689 |
| | Rated Load (CEN EN 474-3 Firm and Level Ground - 80% FTSTL) | kq | 10701 |
| | | lbs | 23585 |
| 3 | Maximum Overall Length | mm | 9173 |
| | | in | 361.1 |
| 4 | Reach with Forks at Ground Level | mm | 1077 |
| | | in | 42.4 |
| 5 | *Ground to Bottom of Tine at Minimum Height and Fork Level | mm | -87 |
| | | in | -3.4 |
| 6 | Reach with Arms Horizontal and Forks Level | mm | 1685 |
| | | in | 66.3 |
| 7 | Reach with Fork at Maximum Height | mm | 818 |
| | | in | 32.2 |
| 8 | Ground to Top of Tine with Arms Horizontal and Fork Level | mm | 1970 |
| | | in | 77.5 |
| 9 | Ground to Top of Tine at Maximum Height and Fork Level | mm | 4053 |
| | | in | 159.6 |
| 10 | Overall Height of Fork at Full Lift (top of carriage to ground) | mm | 5093 |
| | | in | 200.5 |
| 11 | Clearance at Full Lift and Max Dump | mm | 2820 |
| | | in | 111.0 |
| 12 | Max Discharge Angle from Horizontal | deg | 49 |
| 13 | Overall Carriage Width | mm | 2528 |
| | | in | 99.5 |
| 14 | Overall Carriage Height | mm | 1130 |
| | | in | 44.5 |
| 15 | Outside Tine Width (max spread) | mm | 2178 |
| | | in | 85.7 |
| 16 | Outside Tine Width (min spread) | mm | 576 |
| | | in | 22.7 |
| | Tine Width (single tine) | mm | 180.0 |
| | | in | 7.1 |
| | Tine Thickness | mm | 90.0 |
| | | in | 3.5 |
| | Tine Capacity | kq | 22200 |
| | | lbs | 48929 |
| | Operating Weight | kq | 24124 |
| | | lbs | 53170 |

*Negative values indicate below grade

966 LOG

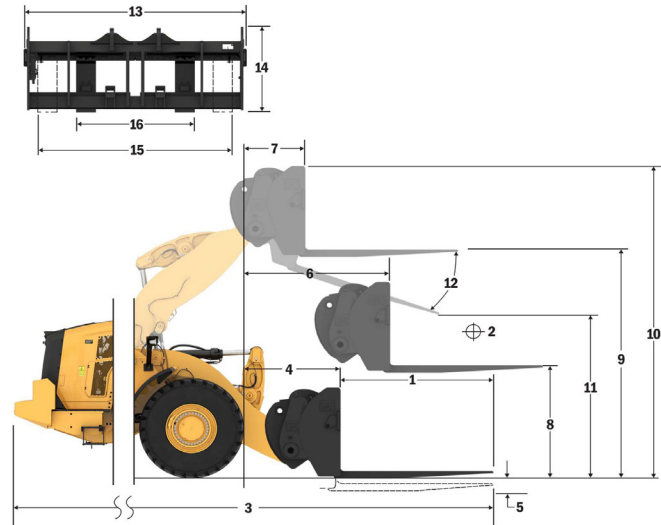
Pallet Fork, FUSION

96" Carriage

48" Tine

520-7957

520-7985



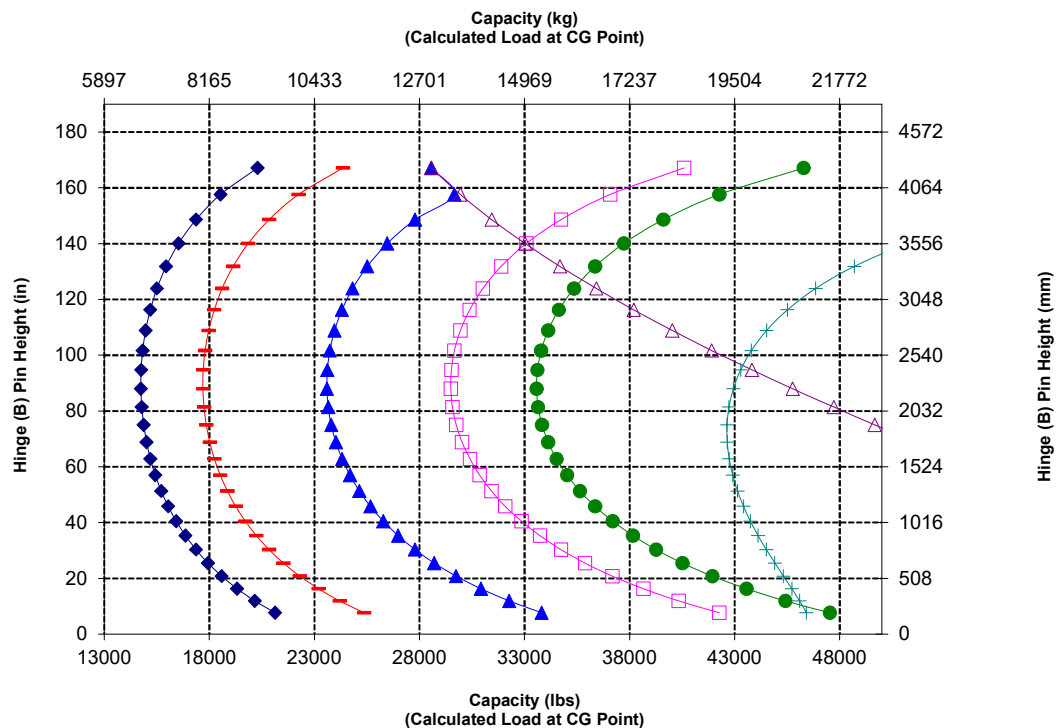
- ◆ Payload (SAE J1197)
- ◆ Payload (CEN EN 474-3 - Rough Terrain)
- ◆ Payload (CEN EN 474-3 - Firm & Level)
- ◆ Static Tipping Load - Articulated
- ◆ Static Tipping Load - Straight
- ◆ Hydraulic TR Capacity
- ◆ Hydraulic LR Capacity

NOTE: Static tipping loads and operating weight are based on the following loader configuration: Bridgestone VJT L3 Tires, Air Conditioning, Ride Control, Powertrain Guard, Full Fluids, Fuel Tank, Coolant, Lubricants, and Operator.

Specifications and ratings conform to the following standards: SAE* J1197, ISO 14397-1, CEN** EN 474-3.

The rated operating load for a loader equipped with a pallet fork is determined by:
 SAE J1197: 50% of full turn static tipping load or hydraulic limit.
 CEN EN 474-3: 60% of full turn static tipping load on rough terrain or hydraulic limit.
 CEN EN 474-3: 80% of full turn static tipping load on firm and level ground or hydraulic limit.

*SAE - Society of Automotive Engineers
 **CEN - European Committee for Standardization



WARNING: Do not exceed tine load capacity. Individual tine capacity is stamped on the side of each tine.

966 Forestry Machine Specifications

Fork Specifications

Fork Specifications

| | | | |
|----|---|-----|-------|
| 1 | Tine Length | mm | 1524 |
| | | in | 60.0 |
| 2 | Load Center | mm | 762 |
| | | in | 30.0 |
| | Static Tipping Load - Straight (Forks Level) | kq | 14474 |
| | | lbs | 31901 |
| | Static Tipping Load - Articulated (Forks Level) | kq | 12709 |
| | | lbs | 28011 |
| | Rated Load (SAE J1197 - 50% FTSTL) | kq | 6355 |
| | | lbs | 14005 |
| | Rated Load (CEN EN 474-3 Rough Terrain - 60% FTSTL) | kq | 7625 |
| | | lbs | 16806 |
| | Rated Load (CEN EN 474-3 Firm and Level Ground - 80% FTSTL) | kq | 10167 |
| | | lbs | 22409 |
| 3 | Maximum Overall Length | mm | 9478 |
| | | in | 373.1 |
| 4 | Reach with Forks at Ground Level | mm | 1077 |
| | | in | 42.4 |
| 5 | *Ground to Bottom of Tine at Minimum Height and Fork Level | mm | -87 |
| | | in | -3.4 |
| 6 | Reach with Arms Horizontal and Forks Level | mm | 1685 |
| | | in | 66.4 |
| 7 | Reach with Fork at Maximum Height | mm | 818 |
| | | in | 32.2 |
| 8 | Ground to Top of Tine with Arms Horizontal and Fork Level | mm | 1970 |
| | | in | 77.5 |
| 9 | Ground to Top of Tine at Maximum Height and Fork Level | mm | 4053 |
| | | in | 159.6 |
| 10 | Overall Height of Fork at Full Lift (top of carriage to ground) | mm | 5093 |
| | | in | 200.5 |
| 11 | Clearance at Full Lift and Max Dump | mm | 2589 |
| | | in | 101.9 |
| 12 | Max Discharge Angle from Horizontal | deg | 49 |
| 13 | Overall Carriage Width | mm | 2528 |
| | | in | 99.5 |
| 14 | Overall Carriage Height | mm | 1130 |
| | | in | 44.5 |
| 15 | Outside Tine Width (max spread) | mm | 2178 |
| | | in | 85.7 |
| 16 | Outside Tine Width (min spread) | mm | 576 |
| | | in | 22.7 |
| | Tine Width (single tine) | mm | 180.0 |
| | | in | 7.1 |
| | Tine Thickness | mm | 90.0 |
| | | in | 3.5 |
| | Tine Capacity | kq | 17800 |
| | | lbs | 39231 |
| | Operating Weight | kq | 24190 |
| | | lbs | 53315 |

*Negative values indicate below grade

966 LOG

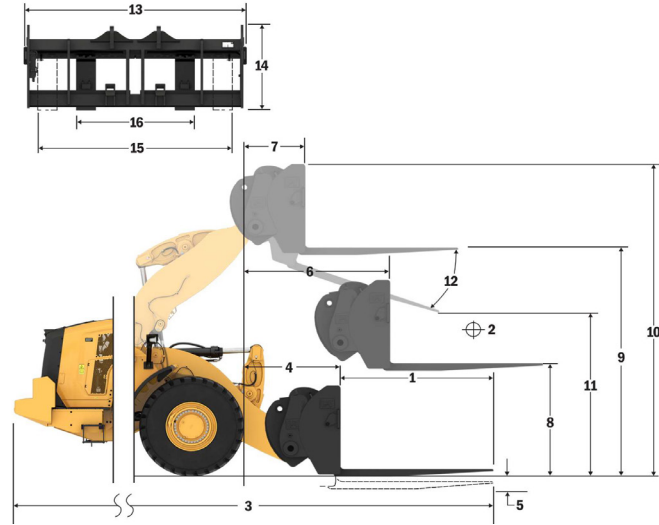
Pallet Fork, FUSION

96" Carriage

60" Tine

520-7957

520-7980



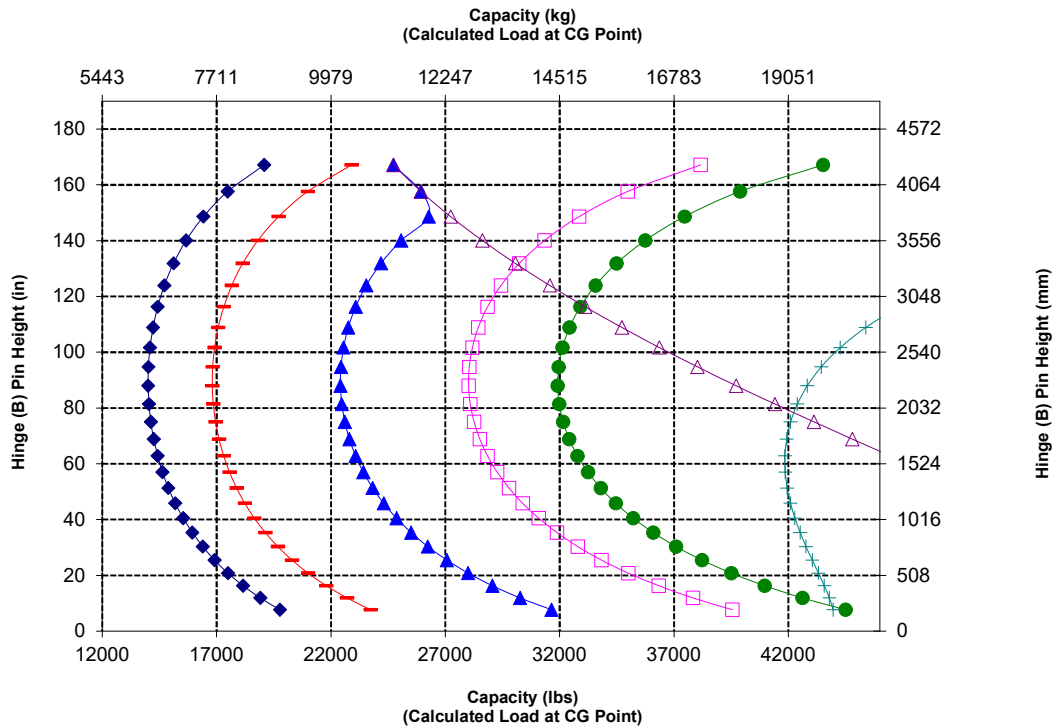
- ◆ Payload (SAE J1197)
- ◆ Payload (CEN EN 474-3 - Rough Terrain)
- ◆ Payload (CEN EN 474-3 - Firm & Level)
- ◆ Static Tipping Load - Articulated
- ◆ Static Tipping Load - Straight
- ◆ Hydraulic TR Capacity
- ◆ Hydraulic LR Capacity

NOTE: Static tipping loads and operating weight are based on the following loader configuration: Bridgestone VJT L3 Tires, Air Conditioning, Ride Control, Powertrain Guard, Full Fluids, Fuel Tank, Coolant, Lubricants, and Operator.

Specifications and ratings conform to the following standards: SAE* J1197, ISO 14397-1, CEN** EN 474-3.

The rated operating load for a loader equipped with a pallet fork is determined by:
 SAE J1197: 50% of full turn static tipping load or hydraulic limit.
 CEN EN 474-3: 60% of full turn static tipping load on rough terrain or hydraulic limit.
 CEN EN 474-3: 80% of full turn static tipping load on firm and level ground or hydraulic limit.

*SAE - Society of Automotive Engineers
 **CEN - European Committee for Standardization



WARNING: Do not exceed tine load capacity. Individual tine capacity is stamped on the side of each tine.

Fork Specifications

Fork Specifications

| | | | |
|----|---|-----|-------|
| 1 | Tine Length | mm | 1829 |
| | | in | 72.0 |
| 2 | Load Center | mm | 915 |
| | | in | 36.0 |
| | Static Tipping Load - Straight (Forks Level) | kg | 13786 |
| | | lbs | 30384 |
| | Static Tipping Load - Articulated (Forks Level) | kg | 12097 |
| | | lbs | 26662 |
| | Rated Load (SAE J1197 - 50% FTSTL) | kg | 6049 |
| | | lbs | 13331 |
| | Rated Load (CEN EN 474-3 Rough Terrain - 60% FTSTL) | kg | 7258 |
| | | lbs | 15997 |
| | Rated Load (CEN EN 474-3 Firm and Level Ground - 80% FTSTL) | kg | 9678 |
| | | lbs | 21330 |
| 3 | Maximum Overall Length | mm | 9783 |
| | | in | 385.1 |
| 4 | Reach with Forks at Ground Level | mm | 1077 |
| | | in | 42.4 |
| 5 | *Ground to Bottom of Tine at Minimum Height and Fork Level | mm | -87 |
| | | in | -3.4 |
| 6 | Reach with Arms Horizontal and Forks Level | mm | 1685 |
| | | in | 66.4 |
| 7 | Reach with Fork at Maximum Height | mm | 818 |
| | | in | 32.2 |
| 8 | Ground to Top of Tine with Arms Horizontal and Fork Level | mm | 1970 |
| | | in | 77.5 |
| 9 | Ground to Top of Tine at Maximum Height and Fork Level | mm | 4053 |
| | | in | 159.6 |
| 10 | Overall Height of Fork at Full Lift (top of carriage to ground) | mm | 5093 |
| | | in | 200.5 |
| 11 | Clearance at Full Lift and Max Dump | mm | 2359 |
| | | in | 92.9 |
| 12 | Max Discharge Angle from Horizontal | deg | 49 |
| 13 | Overall Carriage Width | mm | 2528 |
| | | in | 99.5 |
| 14 | Overall Carriage Height | mm | 1130 |
| | | in | 44.5 |
| 15 | Outside Tine Width (max spread) | mm | 2178 |
| | | in | 85.7 |
| 16 | Outside Tine Width (min spread) | mm | 576 |
| | | in | 22.7 |
| | Tine Width (single tine) | mm | 180.0 |
| | | in | 7.1 |
| | Tine Thickness | mm | 90.0 |
| | | in | 3.5 |
| | Tine Capacity | kg | 14800 |
| | | lbs | 32619 |
| | Operating Weight | kg | 24251 |
| | | lbs | 53449 |

*Negative values indicate below grade

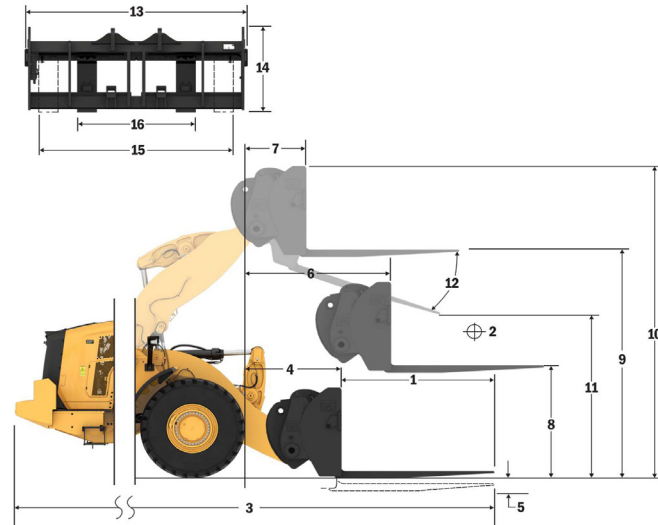
966 LOG Pallet Fork, FUSION

96" Carriage

72" Tine

520-7957

520-7979



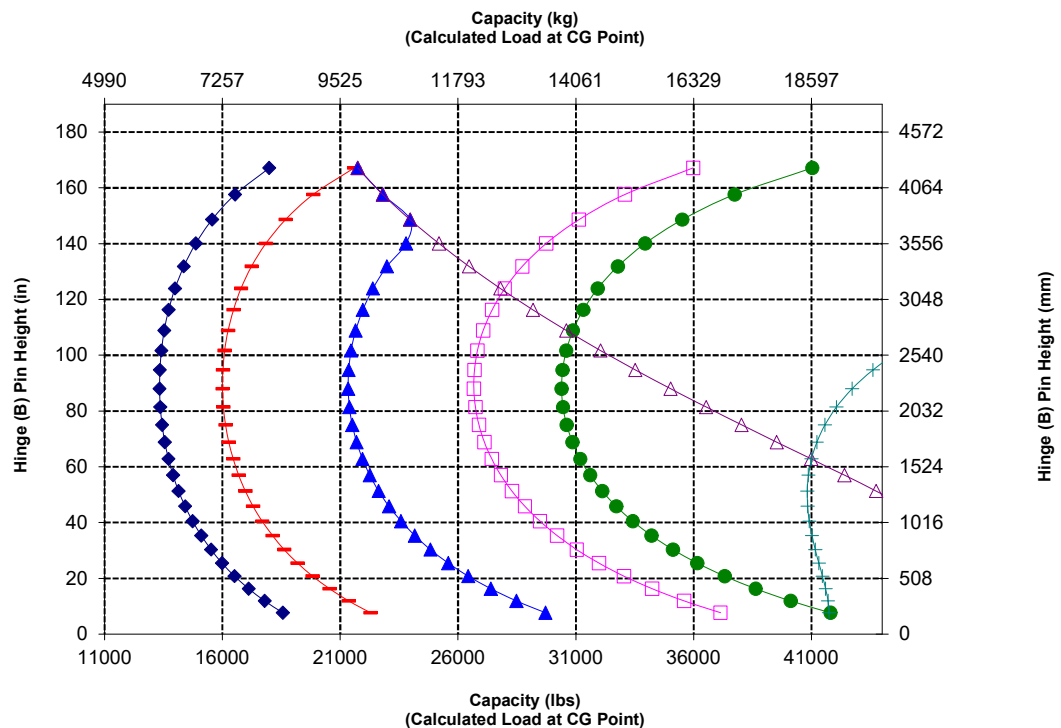
- ◆ Payload (SAE J1197)
- ◆ Payload (CEN EN 474-3 - Rough Terrain)
- ◆ Payload (CEN EN 474-3 - Firm & Level)
- ◆ Static Tipping Load - Articulated
- ◆ Static Tipping Load - Straight
- ◆ Hydraulic TIR Capacity
- ◆ Hydraulic Lift Capacity

NOTE: Static tipping loads and operating weight are based on the following loader configuration: Bridgestone VJT L3 Tires, Air Conditioning, Ride Control, Powertrain Guard, Full Fluids, Fuel Tank, Coolant, Lubricants, and Operator.

Specifications and ratings conform to the following standards: SAE* J1197, ISO 14397-1, CEN** EN 474-3.

The rated operating load for a loader equipped with a pallet fork is determined by:
SAE J1197: 50% of full turn static tipping load or hydraulic limit.
CEN EN 474-3: 60% of full turn static tipping load on rough terrain or hydraulic limit.
CEN EN 474-3: 80% of full turn static tipping load on firm and level ground or hydraulic limit.

*SAE - Society of Automotive Engineers
**CEN - European Committee for Standardization



WARNING: Do not exceed tine load capacity. Individual tine capacity is stamped on the side of each tine.

966 Forestry Machine Specifications

Fork Specifications

Fork Specifications

| | | | |
|----|---|-----|-------|
| 1 | Tine Length | mm | 2134 |
| | | in | 84.0 |
| 2 | Load Center | mm | 1067 |
| | | in | 42.0 |
| | Static Tipping Load - Straight (Forks Level) | kq | 13147 |
| | | lbs | 28976 |
| | Static Tipping Load - Articulated (Forks Level) | kq | 11529 |
| | | lbs | 25410 |
| | Rated Load (SAE J1197 - 50% FTSTL) | kq | 5764 |
| | | lbs | 12705 |
| | Rated Load (CEN EN 474-3 Rough Terrain - 60% FTSTL) | kq | 6917 |
| | | lbs | 15246 |
| | Rated Load (CEN EN 474-3 Firm and Level Ground - 80% FTSTL) | kq | 8773 |
| | | lbs | 19337 |
| 3 | Maximum Overall Length | mm | 10088 |
| | | in | 397.1 |
| 4 | Reach with Forks at Ground Level | mm | 1077 |
| | | in | 42.4 |
| 5 | *Ground to Bottom of Tine at Minimum Height and Fork Level | mm | -87 |
| | | in | -3.4 |
| 6 | Reach with Arms Horizontal and Forks Level | mm | 1685 |
| | | in | 66.4 |
| 7 | Reach with Fork at Maximum Height | mm | 818 |
| | | in | 32.2 |
| 8 | Ground to Top of Tine with Arms Horizontal and Fork Level | mm | 1970 |
| | | in | 77.5 |
| 9 | Ground to Top of Tine at Maximum Height and Fork Level | mm | 4053 |
| | | in | 159.6 |
| 10 | Overall Height of Fork at Full Lift (top of carriage to ground) | mm | 5093 |
| | | in | 200.5 |
| 11 | Clearance at Full Lift and Max Dump | mm | 2128 |
| | | in | 83.8 |
| 12 | Max Discharge Angle from Horizontal | deg | 49 |
| 13 | Overall Carriage Width | mm | 2528 |
| | | in | 99.5 |
| 14 | Overall Carriage Height | mm | 1130 |
| | | in | 44.5 |
| 15 | Outside Tine Width (max spread) | mm | 2178 |
| | | in | 85.7 |
| 16 | Outside Tine Width (min spread) | mm | 576 |
| | | in | 22.7 |
| | Tine Width (single tine) | mm | 180.0 |
| | | in | 7.1 |
| | Tine Thickness | mm | 90.0 |
| | | in | 3.5 |
| | Tine Capacity | kq | 12700 |
| | | lbs | 27991 |
| | Operating Weight | kq | 24314 |
| | | lbs | 53588 |

*Negative values indicate below grade

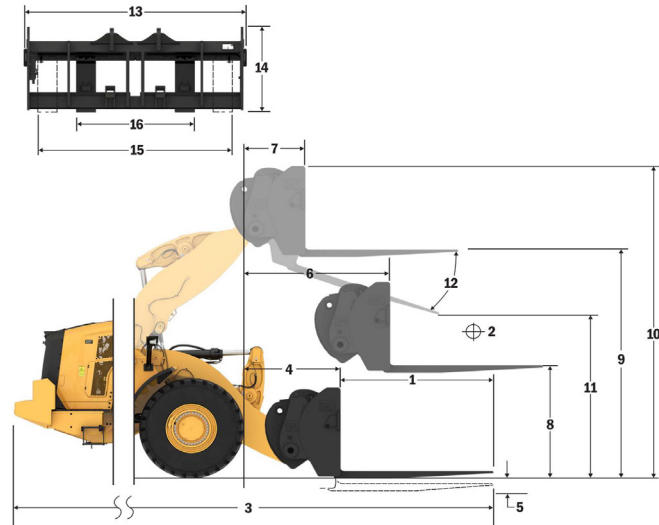
966 LOG Pallet Fork, FUSION

96" Carriage

84" Tine

520-7957

520-7986



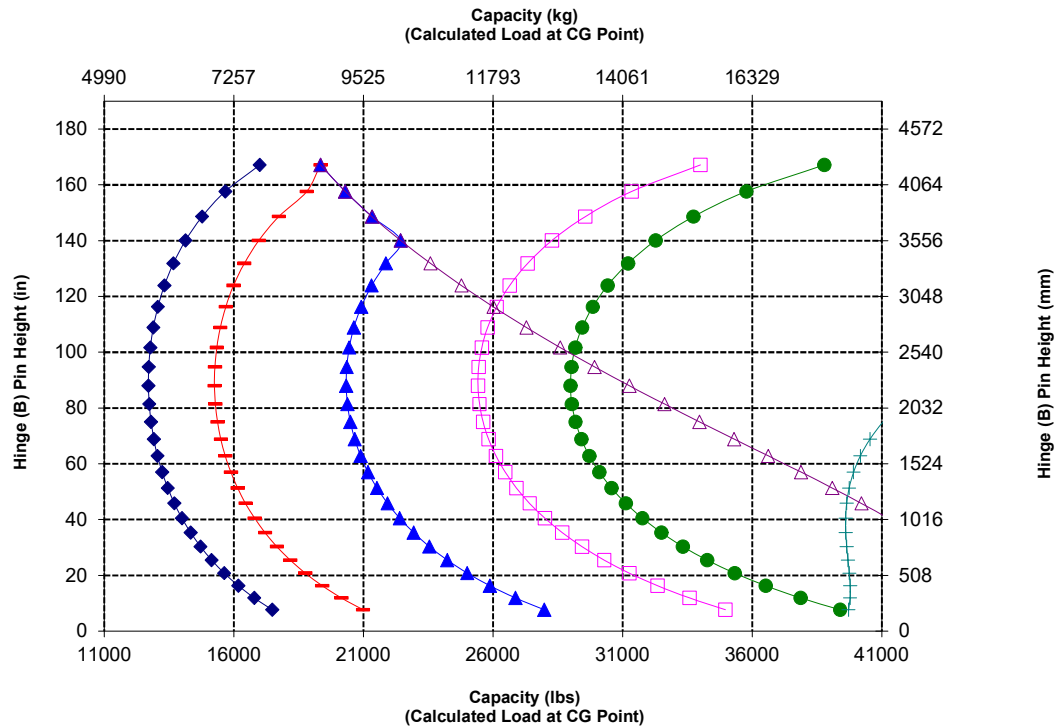
- ◆ Payload (SAE J1197)
- ◆ Payload (CEN EN 474-3 - Rough Terrain)
- ◆ Payload (CEN EN 474-3 - Firm & Level)
- ◆ Static Tipping Load - Articulated
- ◆ Static Tipping Load - Straight
- ◆ Hydraulic TR Capacity
- ◆ Hydraulic LR Capacity

NOTE: Static tipping loads and operating weight are based on the following loader configuration: Bridgestone VJT L3 Tires, Air Conditioning, Ride Control, Powertrain Guard, Full Fluids, Fuel Tank, Coolant, Lubricants, and Operator.

Specifications and ratings conform to the following standards: SAE* J1197, ISO 14397-1, CEN** EN 474-3.

The rated operating load for a loader equipped with a pallet fork is determined by:
SAE J1197: 50% of full turn static tipping load or hydraulic limit.
CEN EN 474-3: 60% of full turn static tipping load on rough terrain or hydraulic limit.
CEN EN 474-3: 80% of full turn static tipping load on firm and level ground or hydraulic limit.

*SAE - Society of Automotive Engineers
**CEN - European Committee for Standardization



WARNING: Do not exceed tine load capacity. Individual tine capacity is stamped on the side of each tine.

Fork Specifications

Fork Specifications

| | | | |
|----|---|-----|-------|
| 1 | Tine Length | mm | 2438 |
| | | in | 96.0 |
| 2 | Load Center | mm | 1219 |
| | | in | 48.0 |
| | Static Tipping Load - Straight (Forks Level) | kg | 12557 |
| | | lbs | 27677 |
| | Static Tipping Load - Articulated (Forks Level) | kg | 11004 |
| | | lbs | 24252 |
| | Rated Load (SAE J1197 - 50% FTSTL) | kg | 5502 |
| | | lbs | 12126 |
| | Rated Load (CEN EN 474-3 Rough Terrain - 60% FTSTL) | kg | 6602 |
| | | lbs | 14551 |
| | Rated Load (CEN EN 474-3 Firm and Level Ground - 80% FTSTL) | kg | 7882 |
| | | lbs | 17371 |
| 3 | Maximum Overall Length | mm | 10392 |
| | | in | 409.1 |
| 4 | Reach with Forks at Ground Level | mm | 1077 |
| | | in | 42.4 |
| 5 | *Ground to Bottom of Tine at Minimum Height and Fork Level | mm | -87 |
| | | in | -3.4 |
| 6 | Reach with Arms Horizontal and Forks Level | mm | 1685 |
| | | in | 66.4 |
| 7 | Reach with Fork at Maximum Height | mm | 818 |
| | | in | 32.2 |
| 8 | Ground to Top of Tine with Arms Horizontal and Fork Level | mm | 1970 |
| | | in | 77.5 |
| 9 | Ground to Top of Tine at Maximum Height and Fork Level | mm | 4053 |
| | | in | 159.6 |
| 10 | Overall Height of Fork at Full Lift (top of carriage to ground) | mm | 5093 |
| | | in | 200.5 |
| 11 | Clearance at Full Lift and Max Dump | mm | 1899 |
| | | in | 74.7 |
| 12 | Max Discharge Angle from Horizontal | deg | 49 |
| 13 | Overall Carriage Width | mm | 2528 |
| | | in | 99.5 |
| 14 | Overall Carriage Height | mm | 1130 |
| | | in | 44.5 |
| 15 | Outside Tine Width (max spread) | mm | 2178 |
| | | in | 85.7 |
| 16 | Outside Tine Width (min spread) | mm | 576 |
| | | in | 22.7 |
| | Tine Width (single tine) | mm | 180.0 |
| | | in | 7.1 |
| | Tine Thickness | mm | 90.0 |
| | | in | 3.5 |
| | Tine Capacity | kg | 11300 |
| | | lbs | 24905 |
| | Operating Weight | kg | 24376 |
| | | lbs | 53725 |

*Negative values indicate below grade

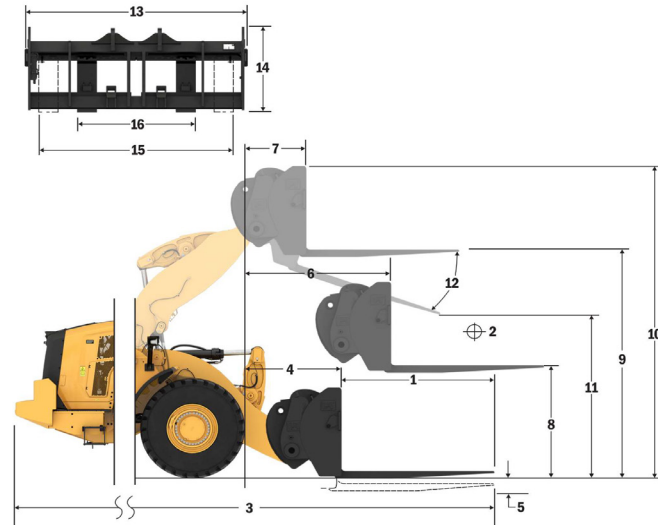
966 LOG Pallet Fork, FUSION

96" Carriage

96" Tine

520-7957

520-7981



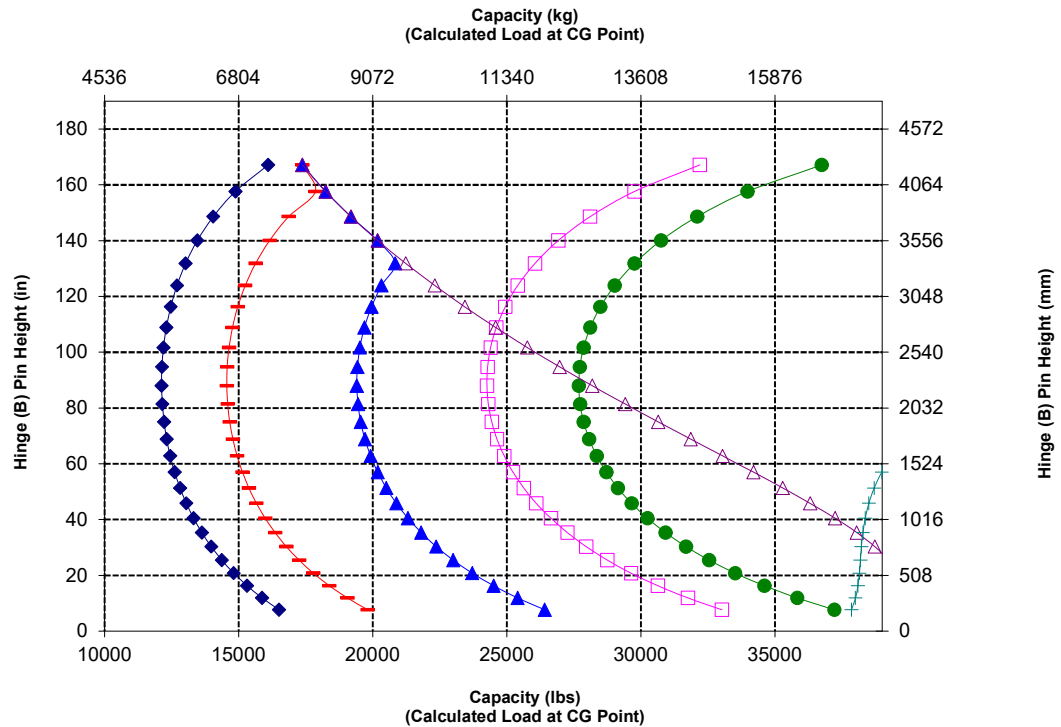
- ◆ Payload (SAE J1197)
- ◆ Payload (CEN EN 474-3 - Rough Terrain)
- ◆ Payload (CEN EN 474-3 - Firm & Level)
- ◆ Static Tipping Load - Articulated
- ◆ Static Tipping Load - Straight
- ◆ Hydraulic TIR Capacity
- ◆ Hydraulic Lift Capacity

NOTE: Static tipping loads and operating weight are based on the following loader configuration: Bridgestone VJT L3 Tires, Air Conditioning, Ride Control, Powertrain Guard, Full Fluids, Fuel Tank, Coolant, Lubricants, and Operator.

Specifications and ratings conform to the following standards: SAE* J1197, ISO 14397-1, CEN** EN 474-3.

The rated operating load for a loader equipped with a pallet fork is determined by:
SAE J1197: 50% of full turn static tipping load or hydraulic limit.
CEN EN 474-3: 60% of full turn static tipping load on rough terrain or hydraulic limit.
CEN EN 474-3: 80% of full turn static tipping load on firm and level ground or hydraulic limit.

*SAE - Society of Automotive Engineers
**CEN - European Committee for Standardization



WARNING: Do not exceed tine load capacity. Individual tine capacity is stamped on the side of each tine.

966 Forestry Machine Specifications

Fork Specifications

Fork Specifications

| | | | |
|----|---|-----|-------|
| 1 | Tine Length | mm | 1219 |
| | | in | 48.0 |
| 2 | Load Center | mm | 610 |
| | | in | 24.0 |
| | Static Tipping Load - Straight (Forks Level) | kg | 15184 |
| | | lbs | 33466 |
| | Static Tipping Load - Articulated (Forks Level) | kg | 13336 |
| | | lbs | 29392 |
| | Rated Load (SAE J1197 - 50% FTSTL) | kg | 6668 |
| | | lbs | 14696 |
| | Rated Load (CEN EN 474-3 Rough Terrain - 60% FTSTL) | kg | 8001 |
| | | lbs | 17635 |
| | Rated Load (CEN EN 474-3 Firm and Level Ground - 80% FTSTL) | kg | 10669 |
| | | lbs | 23513 |
| 3 | Maximum Overall Length | mm | 9173 |
| | | in | 361.1 |
| 4 | Reach with Forks at Ground Level | mm | 1077 |
| | | in | 42.4 |
| 5 | *Ground to Bottom of Tine at Minimum Height and Fork Level | mm | -87 |
| | | in | -3.4 |
| 6 | Reach with Arms Horizontal and Forks Level | mm | 1685 |
| | | in | 66.3 |
| 7 | Reach with Fork at Maximum Height | mm | 818 |
| | | in | 32.2 |
| 8 | Ground to Top of Tine with Arms Horizontal and Fork Level | mm | 1970 |
| | | in | 77.5 |
| 9 | Ground to Top of Tine at Maximum Height and Fork Level | mm | 4053 |
| | | in | 159.6 |
| 10 | Overall Height of Fork at Full Lift (top of carriage to ground) | mm | 5093 |
| | | in | 200.5 |
| 11 | Clearance at Full Lift and Max Dump | mm | 2820 |
| | | in | 111.0 |
| 12 | Max Discharge Angle from Horizontal | deg | 49 |
| 13 | Overall Carriage Width | mm | 2833 |
| | | in | 111.5 |
| 14 | Overall Carriage Height | mm | 1130 |
| | | in | 44.5 |
| 15 | Outside Tine Width (max spread) | mm | 2493 |
| | | in | 98.1 |
| 16 | Outside Tine Width (min spread) | mm | 590 |
| | | in | 23.2 |
| | Tine Width (single tine) | mm | 180.0 |
| | | in | 7.1 |
| | Tine Thickness | mm | 90.0 |
| | | in | 3.5 |
| | Tine Capacity | kg | 22200 |
| | | lbs | 48929 |
| | Operating Weight | kg | 24177 |
| | | lbs | 53286 |

*Negative values indicate below grade

966 LOG

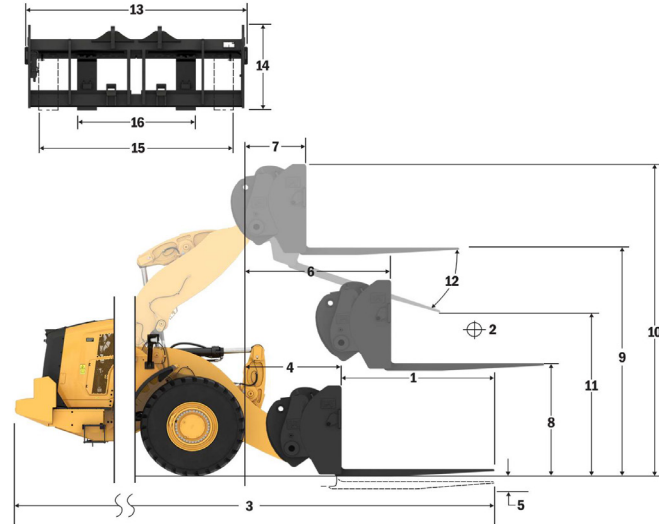
Pallet Fork, FUSION

108" Carriage

48" Tine

520-7968

520-7985



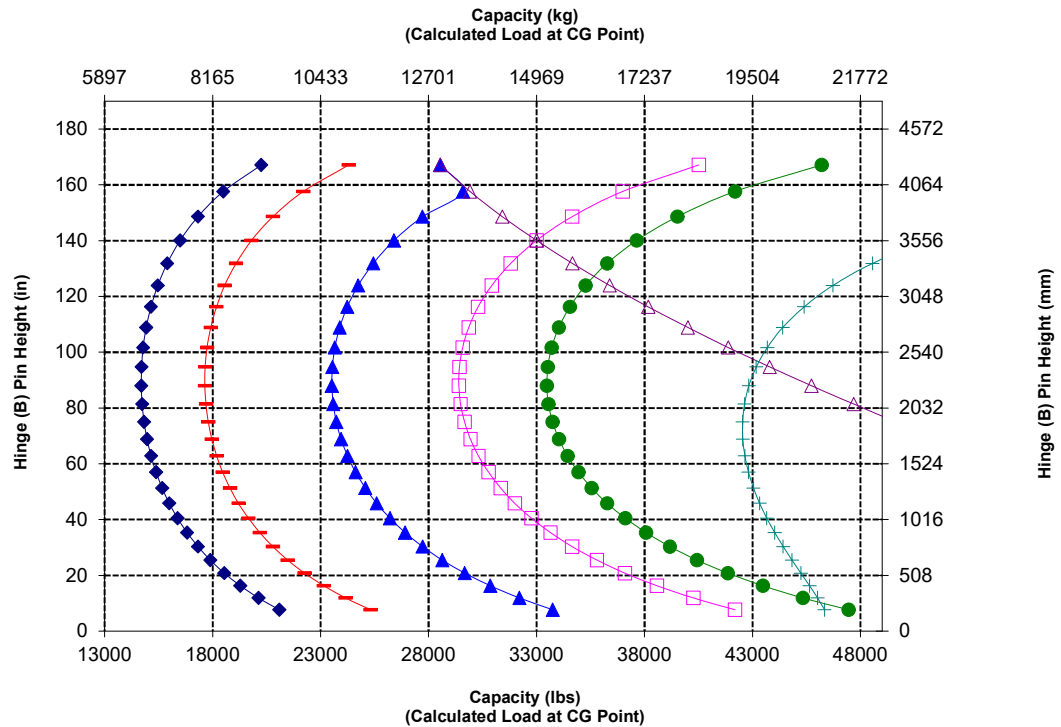
- ◆ Payload (SAE J1197)
- ◆ Payload (CEN EN 474-3 - Rough Terrain)
- ◆ Payload (CEN EN 474-3 - Firm & Level)
- ◆ Static Tipping Load - Articulated
- ◆ Static Tipping Load - Straight
- ◆ Hydraulic TIR Capacity
- ◆ Hydraulic Lift Capacity

NOTE: Static tipping loads and operating weight are based on the following loader configuration: Bridgestone VJT L3 Tires, Air Conditioning, Ride Control, Powertrain Guard, Full Fluids, Fuel Tank, Coolant, Lubricants, and Operator.

Specifications and ratings conform to the following standards: SAE* J1197, ISO 14397-1, CEN** EN 474-3.

The rated operating load for a loader equipped with a pallet fork is determined by:
 SAE J1197: 50% of full turn static tipping load or hydraulic limit.
 CEN EN 474-3: 60% of full turn static tipping load on rough terrain or hydraulic limit.
 CEN EN 474-3: 80% of full turn static tipping load on firm and level ground or hydraulic limit.

*SAE - Society of Automotive Engineers
 **CEN - European Committee for Standardization



WARNING: Do not exceed tine load capacity. Individual tine capacity is stamped on the side of each tine.

Fork Specifications

Fork Specifications

| | | | |
|----|---|-----|-------|
| 1 | Tine Length | mm | 1524 |
| | | in | 60.0 |
| 2 | Load Center | mm | 762 |
| | | in | 30.0 |
| | Static Tipping Load - Straight (Forks Level) | kq | 14439 |
| | | lbs | 31824 |
| | Static Tipping Load - Articulated (Forks Level) | kq | 12674 |
| | | lbs | 27933 |
| | Rated Load (SAE J1197 - 50% FTSTL) | kq | 6337 |
| | | lbs | 13967 |
| | Rated Load (CEN EN 474-3 Rough Terrain - 60% FTSTL) | kq | 7604 |
| | | lbs | 16760 |
| | Rated Load (CEN EN 474-3 Firm and Level Ground - 80% FTSTL) | kq | 10139 |
| | | lbs | 22347 |
| 3 | Maximum Overall Length | mm | 9478 |
| | | in | 373.1 |
| 4 | Reach with Forks at Ground Level | mm | 1077 |
| | | in | 42.4 |
| 5 | *Ground to Bottom of Tine at Minimum Height and Fork Level | mm | -87 |
| | | in | -3.4 |
| 6 | Reach with Arms Horizontal and Forks Level | mm | 1685 |
| | | in | 66.4 |
| 7 | Reach with Fork at Maximum Height | mm | 818 |
| | | in | 32.2 |
| 8 | Ground to Top of Tine with Arms Horizontal and Fork Level | mm | 1970 |
| | | in | 77.5 |
| 9 | Ground to Top of Tine at Maximum Height and Fork Level | mm | 4053 |
| | | in | 159.6 |
| 10 | Overall Height of Fork at Full Lift (top of carriage to ground) | mm | 5093 |
| | | in | 200.5 |
| 11 | Clearance at Full Lift and Max Dump | mm | 2589 |
| | | in | 101.9 |
| 12 | Max Discharge Angle from Horizontal | deg | 49 |
| 13 | Overall Carriage Width | mm | 2833 |
| | | in | 111.5 |
| 14 | Overall Carriage Height | mm | 1130 |
| | | in | 44.5 |
| 15 | Outside Tine Width (max spread) | mm | 2483 |
| | | in | 97.8 |
| 16 | Outside Tine Width (min spread) | mm | 590 |
| | | in | 23.2 |
| | Tine Width (single tine) | mm | 180.0 |
| | | in | 7.1 |
| | Tine Thickness | mm | 90.0 |
| | | in | 3.5 |
| | Tine Capacity | kq | 17800 |
| | | lbs | 39231 |
| | Operating Weight | kq | 24239 |
| | | lbs | 53423 |

*Negative values indicate below grade

966 LOG

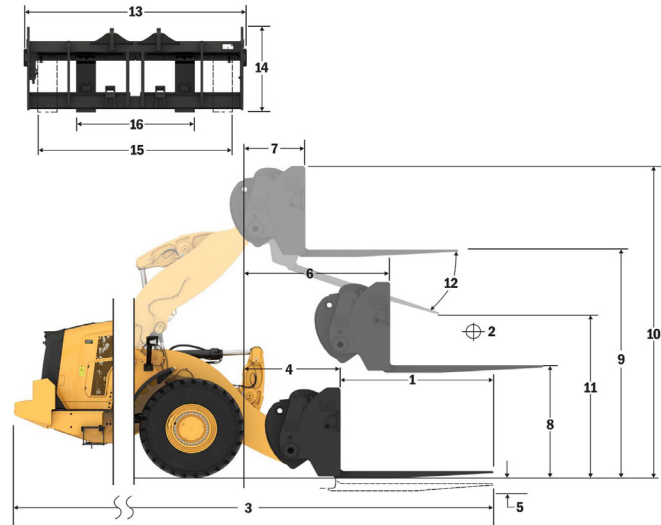
Pallet Fork, FUSION

108" Carriage

60" Tine

520-7968

520-7980



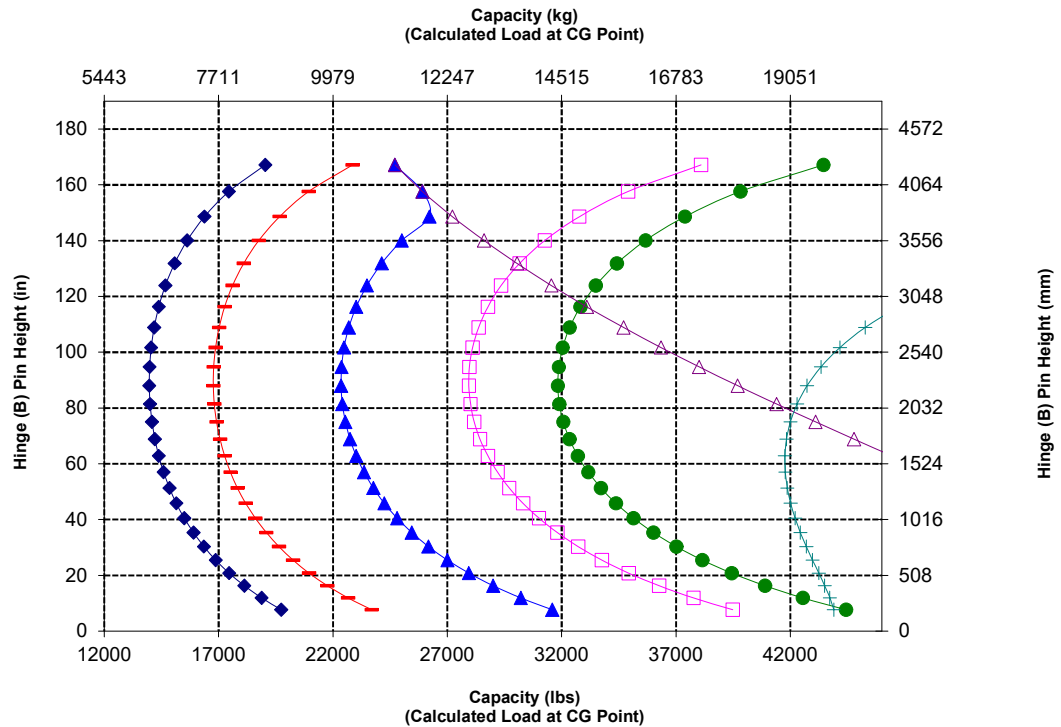
- ◆ Payload (SAE J1197)
- ◆ Payload (CEN EN 474-3 - Rough Terrain)
- ◆ Payload (CEN EN 474-3 - Firm & Level)
- ◆ Static Tipping Load - Articulated
- ◆ Static Tipping Load - Straight
- ◆ Hydraulic TR Capacity
- ◆ Hydraulic LR Capacity

NOTE: Static tipping loads and operating weight are based on the following loader configuration: Bridgestone VJT L3 Tires, Air Conditioning, Ride Control, Powertrain Guard, Full Fluids, Fuel Tank, Coolant, Lubricants, and Operator.

Specifications and ratings conform to the following standards: SAE* J1197, ISO 14397-1, CEN** EN 474-3.

The rated operating load for a loader equipped with a pallet fork is determined by:
 SAE J1197: 50% of full turn static tipping load or hydraulic limit.
 CEN EN 474-3: 60% of full turn static tipping load on rough terrain or hydraulic limit.
 CEN EN 474-3: 80% of full turn static tipping load on firm and level ground or hydraulic limit.

*SAE - Society of Automotive Engineers
 **CEN - European Committee for Standardization



WARNING: Do not exceed tine load capacity. Individual tine capacity is stamped on the side of each tine.

966 Forestry Machine Specifications

Fork Specifications

Fork Specifications

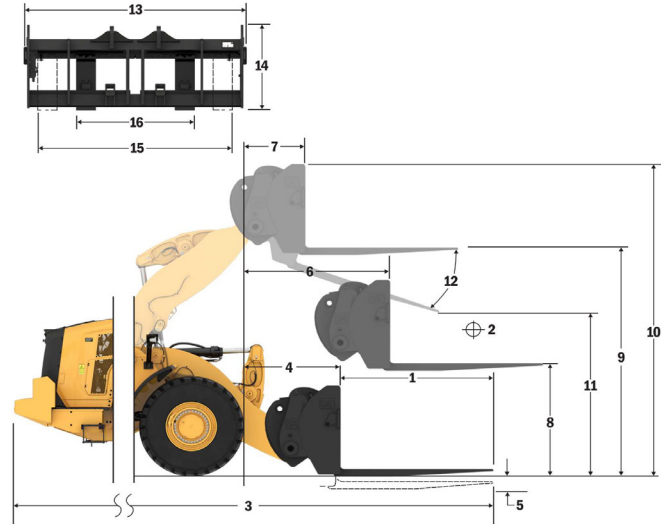
| | | | |
|----|---|-----|-------|
| 1 | Tine Length | mm | 1829 |
| | | in | 72.0 |
| 2 | Load Center | mm | 915 |
| | | in | 36.0 |
| | Static Tipping Load - Straight (Forks Level) | kg | 13751 |
| | | lbs | 30307 |
| | Static Tipping Load - Articulated (Forks Level) | kg | 12062 |
| | | lbs | 26585 |
| | Rated Load (SAE J1197 - 50% FTSTL) | kg | 6031 |
| | | lbs | 13293 |
| | Rated Load (CEN EN 474-3 Rough Terrain - 60% FTSTL) | kg | 7237 |
| | | lbs | 15951 |
| | Rated Load (CEN EN 474-3 Firm and Level Ground - 80% FTSTL) | kg | 9650 |
| | | lbs | 21268 |
| 3 | Maximum Overall Length | mm | 9783 |
| | | in | 385.1 |
| 4 | Reach with Forks at Ground Level | mm | 1077 |
| | | in | 42.4 |
| 5 | *Ground to Bottom of Tine at Minimum Height and Fork Level | mm | -87 |
| | | in | -3.4 |
| 6 | Reach with Arms Horizontal and Forks Level | mm | 1685 |
| | | in | 66.4 |
| 7 | Reach with Fork at Maximum Height | mm | 818 |
| | | in | 32.2 |
| 8 | Ground to Top of Tine with Arms Horizontal and Fork Level | mm | 1970 |
| | | in | 77.5 |
| 9 | Ground to Top of Tine at Maximum Height and Fork Level | mm | 4053 |
| | | in | 159.6 |
| 10 | Overall Height of Fork at Full Lift (top of carriage to ground) | mm | 5093 |
| | | in | 200.5 |
| 11 | Clearance at Full Lift and Max Dump | mm | 2359 |
| | | in | 92.9 |
| 12 | Max Discharge Angle from Horizontal | deg | 49 |
| 13 | Overall Carriage Width | mm | 2833 |
| | | in | 111.5 |
| 14 | Overall Carriage Height | mm | 1130 |
| | | in | 44.5 |
| 15 | Outside Tine Width (max spread) | mm | 2483 |
| | | in | 97.8 |
| 16 | Outside Tine Width (min spread) | mm | 590 |
| | | in | 23.2 |
| | Tine Width (single tine) | mm | 180.0 |
| | | in | 7.1 |
| | Tine Thickness | mm | 90.0 |
| | | in | 3.5 |
| | Tine Capacity | kg | 14800 |
| | | lbs | 32619 |
| | Operating Weight | kg | 24301 |
| | | lbs | 53560 |

*Negative values indicate below grade

966 LOG

Pallet Fork, FUSION

108" Carriage 72" Tine
520-7968 520-7979



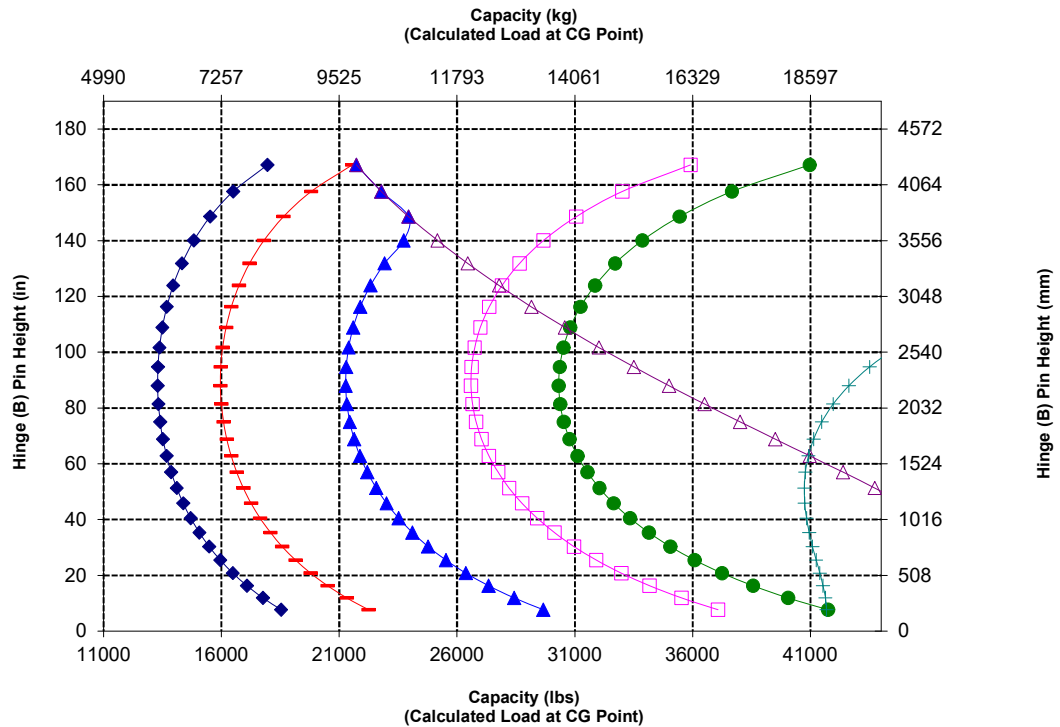
- ◆ Payload (SAE J1197)
- ◆ Payload (CEN EN 474-3 - Rough Terrain)
- ◆ Payload (CEN EN 474-3 - Firm & Level)
- ◆ Static Tipping Load - Articulated
- ◆ Static Tipping Load - Straight
- ◆ Hydraulic TIR Capacity
- ◆ Hydraulic Lift Capacity

NOTE: Static tipping loads and operating weight are based on the following loader configuration: Bridgestone VJT L3 Tires, Air Conditioning, Ride Control, Powertrain Guard, Full Fluids, Fuel Tank, Coolant, Lubricants, and Operator.

Specifications and ratings conform to the following standards: SAE* J1197, ISO 14397-1, CEN** EN 474-3.

The rated operating load for a loader equipped with a pallet fork is determined by:
SAE J1197: 50% of full turn static tipping load or hydraulic limit.
CEN EN 474-3: 60% of full turn static tipping load on rough terrain or hydraulic limit.
CEN EN 474-3: 80% of full turn static tipping load on firm and level ground or hydraulic limit.

*SAE - Society of Automotive Engineers
**CEN - European Committee for Standardization



WARNING: Do not exceed tine load capacity. Individual tine capacity is stamped on the side of each tine.

Fork Specifications

Fork Specifications

| | | | |
|----|---|-----|-------|
| 1 | Tine Length | mm | 2134 |
| | | in | 84.0 |
| 2 | Load Center | mm | 1067 |
| | | in | 42.0 |
| | Static Tipping Load - Straight (Forks Level) | kq | 13115 |
| | | lbs | 28905 |
| | Static Tipping Load - Articulated (Forks Level) | kq | 11497 |
| | | lbs | 25338 |
| | Rated Load (SAE J1197 - 50% FTSTL) | kq | 5748 |
| | | lbs | 12669 |
| | Rated Load (CEN EN 474-3 Rough Terrain - 60% FTSTL) | kq | 6898 |
| | | lbs | 15203 |
| | Rated Load (CEN EN 474-3 Firm and Level Ground - 80% FTSTL) | kq | 8767 |
| | | lbs | 19322 |
| 3 | Maximum Overall Length | mm | 10088 |
| | | in | 397.1 |
| 4 | Reach with Forks at Ground Level | mm | 1077 |
| | | in | 42.4 |
| 5 | *Ground to Bottom of Tine at Minimum Height and Fork Level | mm | -87 |
| | | in | -3.4 |
| 6 | Reach with Arms Horizontal and Forks Level | mm | 1685 |
| | | in | 66.4 |
| 7 | Reach with Fork at Maximum Height | mm | 818 |
| | | in | 32.2 |
| 8 | Ground to Top of Tine with Arms Horizontal and Fork Level | mm | 1970 |
| | | in | 77.5 |
| 9 | Ground to Top of Tine at Maximum Height and Fork Level | mm | 4053 |
| | | in | 159.6 |
| 10 | Overall Height of Fork at Full Lift (top of carriage to ground) | mm | 5093 |
| | | in | 200.5 |
| 11 | Clearance at Full Lift and Max Dump | mm | 2128 |
| | | in | 83.8 |
| 12 | Max Discharge Angle from Horizontal | deg | 49 |
| 13 | Overall Carriage Width | mm | 2833 |
| | | in | 111.5 |
| 14 | Overall Carriage Height | mm | 1130 |
| | | in | 44.5 |
| 15 | Outside Tine Width (max spread) | mm | 2483 |
| | | in | 97.8 |
| 16 | Outside Tine Width (min spread) | mm | 590 |
| | | in | 23.2 |
| | Tine Width (single tine) | mm | 180.0 |
| | | in | 7.1 |
| | Tine Thickness | mm | 90.0 |
| | | in | 3.5 |
| | Tine Capacity | kq | 12700 |
| | | lbs | 27991 |
| | Operating Weight | kq | 24363 |
| | | lbs | 53696 |

*Negative values indicate below grade

966 LOG

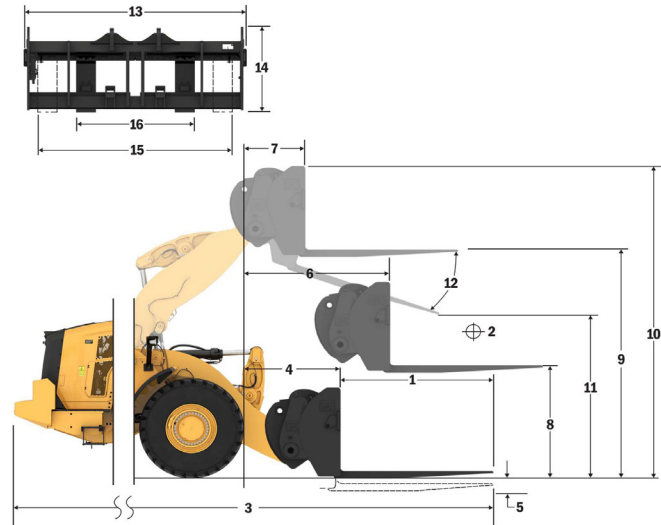
Pallet Fork, FUSION

108" Carriage

84" Tine

520-7968

520-7986



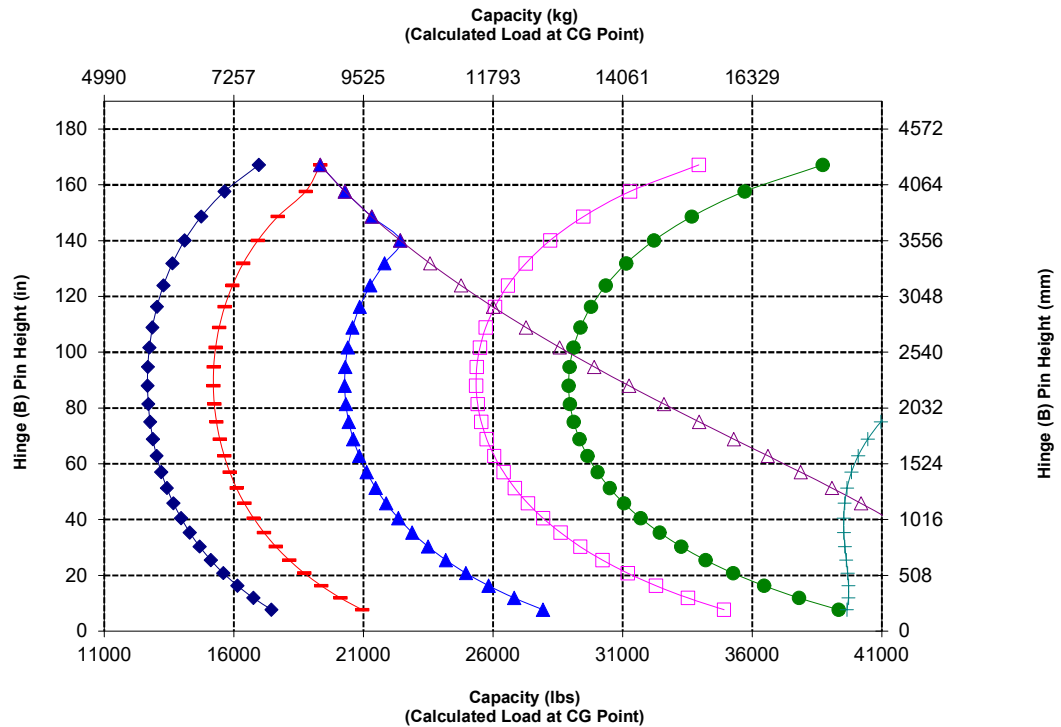
- ◆ Payload (SAE J1197)
- ◆ Payload (CEN EN 474-3 - Rough Terrain)
- ◆ Payload (CEN EN 474-3 - Firm & Level)
- ◆ Static Tipping Load - Articulated
- ◆ Static Tipping Load - Straight
- ◆ Hydraulic TR Capacity
- ◆ Hydraulic LR Capacity

NOTE: Static tipping loads and operating weight are based on the following loader configuration: Bridgestone VJT L3 Tires, Air Conditioning, Ride Control, Powertrain Guard, Full Fluids, Fuel Tank, Coolant, Lubricants, and Operator.

Specifications and ratings conform to the following standards: SAE* J1197, ISO 14397-1, CEN** EN 474-3.

The rated operating load for a loader equipped with a pallet fork is determined by:
 SAE J1197: 50% of full turn static tipping load or hydraulic limit.
 CEN EN 474-3: 60% of full turn static tipping load on rough terrain or hydraulic limit.
 CEN EN 474-3: 80% of full turn static tipping load on firm and level ground or hydraulic limit.

*SAE - Society of Automotive Engineers
 **CEN - European Committee for Standardization



WARNING: Do not exceed tine load capacity. Individual tine capacity is stamped on the side of each tine.

966 Forestry Machine Specifications

Fork Specifications

Fork Specifications

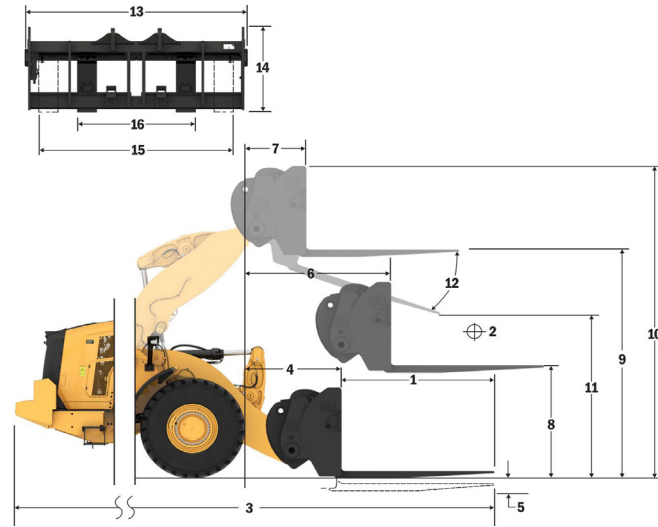
| | | | |
|----|---|-----|-------|
| 1 | Tine Length | mm | 2438 |
| | | in | 96.0 |
| 2 | Load Center | mm | 1219 |
| | | in | 48.0 |
| | Static Tipping Load - Straight (Forks Level) | kg | 12526 |
| | | lbs | 27606 |
| | Static Tipping Load - Articulated (Forks Level) | kg | 10972 |
| | | lbs | 24182 |
| | Rated Load (SAE J1197 - 50% FTSTL) | kg | 5486 |
| | | lbs | 12091 |
| | Rated Load (CEN EN 474-3 Rough Terrain - 60% FTSTL) | kg | 6583 |
| | | lbs | 14509 |
| | Rated Load (CEN EN 474-3 Firm and Level Ground - 80% FTSTL) | kg | 7875 |
| | | lbs | 17357 |
| 3 | Maximum Overall Length | mm | 10392 |
| | | in | 409.1 |
| 4 | Reach with Forks at Ground Level | mm | 1077 |
| | | in | 42.4 |
| 5 | *Ground to Bottom of Tine at Minimum Height and Fork Level | mm | -87 |
| | | in | -3.4 |
| 6 | Reach with Arms Horizontal and Forks Level | mm | 1685 |
| | | in | 66.4 |
| 7 | Reach with Fork at Maximum Height | mm | 818 |
| | | in | 32.2 |
| 8 | Ground to Top of Tine with Arms Horizontal and Fork Level | mm | 1970 |
| | | in | 77.5 |
| 9 | Ground to Top of Tine at Maximum Height and Fork Level | mm | 4053 |
| | | in | 159.6 |
| 10 | Overall Height of Fork at Full Lift (top of carriage to ground) | mm | 5093 |
| | | in | 200.5 |
| 11 | Clearance at Full Lift and Max Dump | mm | 1899 |
| | | in | 74.7 |
| 12 | Max Discharge Angle from Horizontal | deg | 49 |
| 13 | Overall Carriage Width | mm | 2833 |
| | | in | 111.5 |
| 14 | Overall Carriage Height | mm | 1130 |
| | | in | 44.5 |
| 15 | Outside Tine Width (max spread) | mm | 2483 |
| | | in | 97.8 |
| 16 | Outside Tine Width (min spread) | mm | 590 |
| | | in | 23.2 |
| | Tine Width (single tine) | mm | 180.0 |
| | | in | 7.1 |
| | Tine Thickness | mm | 90.0 |
| | | in | 3.5 |
| | Tine Capacity | kg | 11300 |
| | | lbs | 24905 |
| | Operating Weight | kg | 24426 |
| | | lbs | 53835 |

*Negative values indicate below grade

966 LOG

Pallet Fork, FUSION

108" Carriage 96" Tine
520-7968 520-7981



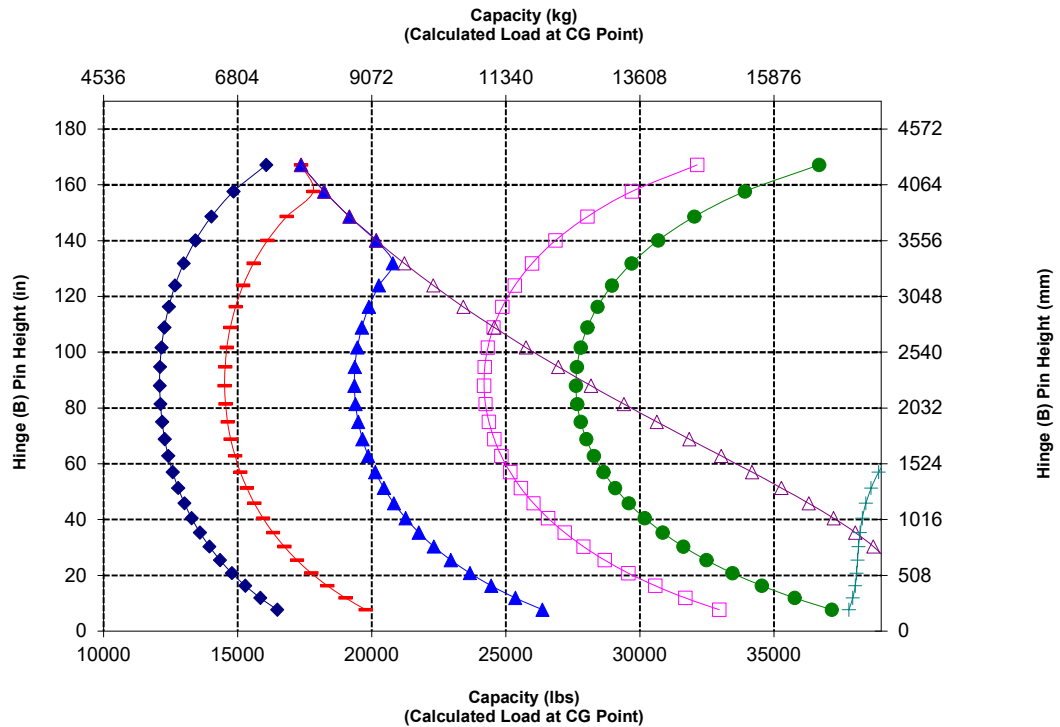
- ◆ Payload (SAE J1197)
- ◆ Payload (CEN EN 474-3 - Rough Terrain)
- ◆ Payload (CEN EN 474-3 - Firm & Level)
- ◆ Static Tipping Load - Articulated
- ◆ Static Tipping Load - Straight
- ◆ Hydraulic TIR Capacity
- ◆ Hydraulic Lift Capacity

NOTE: Static tipping loads and operating weight are based on the following loader configuration: Bridgestone VJT L3 Tires, Air Conditioning, Ride Control, Powertrain Guard, Full Fluids, Fuel Tank, Coolant, Lubricants, and Operator.

Specifications and ratings conform to the following standards: SAE* J1197, ISO 14397-1, CEN** EN 474-3.

The rated operating load for a loader equipped with a pallet fork is determined by:
SAE J1197: 50% of full turn static tipping load or hydraulic limit.
CEN EN 474-3: 60% of full turn static tipping load on rough terrain or hydraulic limit.
CEN EN 474-3: 80% of full turn static tipping load on firm and level ground or hydraulic limit.

*SAE - Society of Automotive Engineers
**CEN - European Committee for Standardization



WARNING: Do not exceed tine load capacity. Individual tine capacity is stamped on the side of each tine.

966 Forestry Machine Specifications

Fork Specifications

Fork Specifications

| | | | |
|----|---|-----|-------|
| 1 | Tine Length | mm | 1524 |
| | | in | 60.0 |
| 2 | Load Center | mm | 762 |
| | | in | 30.0 |
| | Static Tipping Load - Straight (Forks Level) | kg | 14343 |
| | | lbs | 31612 |
| | Static Tipping Load - Articulated (Forks Level) | kg | 12597 |
| | | lbs | 27763 |
| | Rated Load (SAE J1197 - 50% FTSTL) | kg | 6298 |
| | | lbs | 13881 |
| | Rated Load (CEN EN 474-3 Rough Terrain - 60% FTSTL) | kg | 7558 |
| | | lbs | 16658 |
| | Rated Load (CEN EN 474-3 Firm and Level Ground - 80% FTSTL) | kg | 10077 |
| | | lbs | 22210 |
| 3 | Maximum Overall Length | mm | 9521 |
| | | in | 374.8 |
| 4 | Reach with Forks at Ground Level | mm | 1120 |
| | | in | 44.1 |
| 5 | *Ground to Bottom of Tine at Minimum Height and Fork Level | mm | -88 |
| | | in | -3.5 |
| 6 | Reach with Arms Horizontal and Forks Level | mm | 1728 |
| | | in | 68.0 |
| 7 | Reach with Fork at Maximum Height | mm | 860 |
| | | in | 33.9 |
| 8 | Ground to Top of Tine with Arms Horizontal and Fork Level | mm | 1968 |
| | | in | 77.5 |
| 9 | Ground to Top of Tine at Maximum Height and Fork Level | mm | 4052 |
| | | in | 159.5 |
| 10 | Overall Height of Fork at Full Lift (top of carriage to ground) | mm | 5565 |
| | | in | 219.1 |
| 11 | Clearance at Full Lift and Max Dump | mm | 2600 |
| | | in | 102.4 |
| 12 | Max Discharge Angle from Horizontal | deg | 47 |
| 13 | Overall Carriage Width | mm | 2470 |
| | | in | 97.3 |
| 14 | Overall Carriage Height | mm | 1603 |
| | | in | 63.1 |
| 15 | Outside Tine Width (max spread) | mm | 2366 |
| | | in | 93.1 |
| 16 | Outside Tine Width (min spread) | mm | 1002 |
| | | in | 39.4 |
| | Tine Width (single tine) | mm | 180.0 |
| | | in | 7.1 |
| | Tine Thickness | mm | 90.0 |
| | | in | 3.5 |
| | Tine Capacity | kg | 15906 |
| | | lbs | 35057 |
| | Operating Weight | kg | 24140 |
| | | lbs | 53205 |

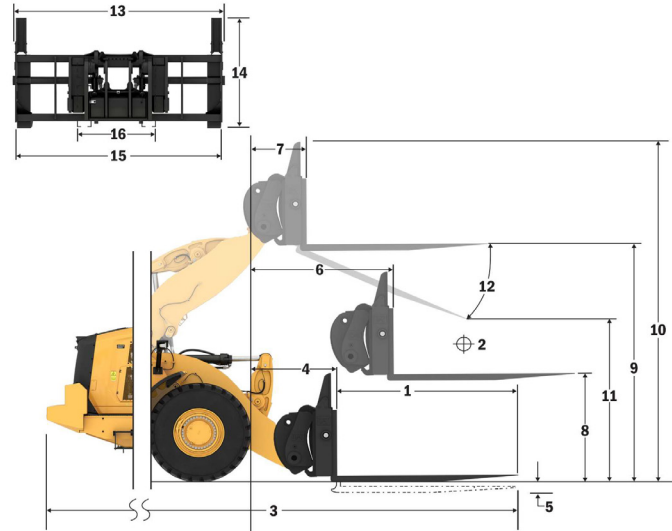
*Negative values indicate below grade

966 LOG

Log & Lumber No Clamp, FUSION

60" Tine

379-2109



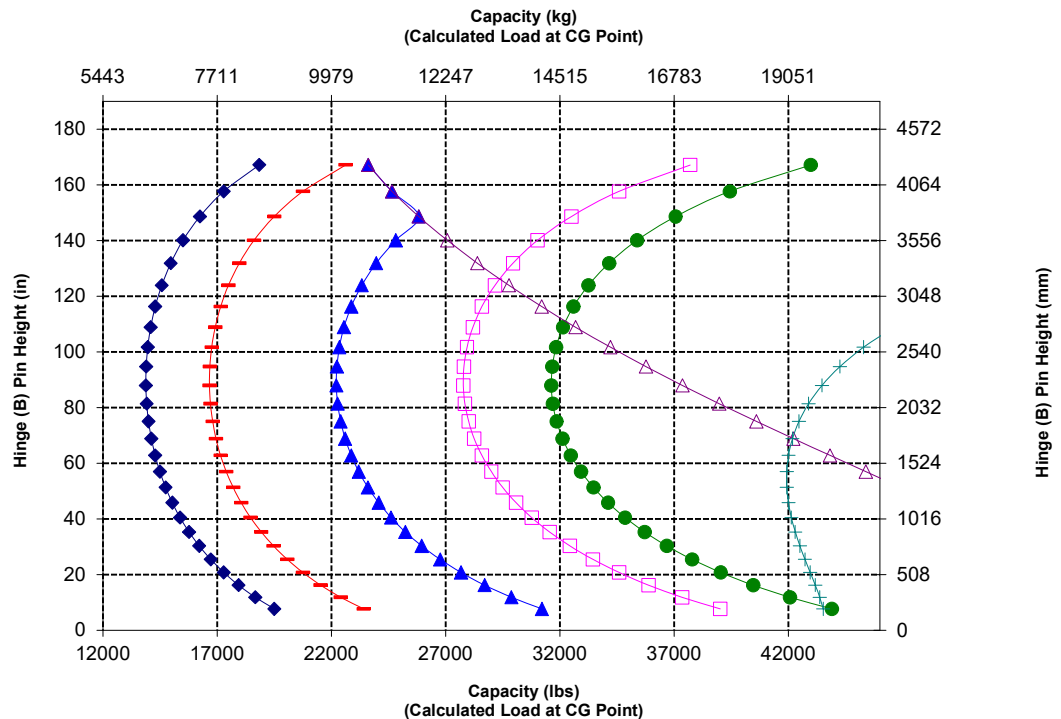
- ◆ Payload (SAE J1197)
- ◆ Payload (CEN EN 474-3 - Rough Terrain)
- ◆ Payload (CEN EN 474-3 - Firm & Level)
- ◆ Static Tipping Load - Articulated
- ◆ Static Tipping Load - Straight
- ◆ Hydraulic Tilt Capacity
- ◆ Hydraulic Lift Capacity

NOTE: Static tipping loads and operating weight are based on the following loader configuration: Bridgestone VJT L3 Tires, Air Conditioning, Ride Control, Powertrain Guard, Full Fluids, Fuel Tank, Coolant, Lubricants, and Operator.

Specifications and ratings conform to the following standards: SAE* J1197, ISO 14397-1, CEN** EN 474-3.

The rated operating load for a loader equipped with a pallet fork is determined by:
SAE J1197: 50% of full turn static tipping load or hydraulic limit.
CEN EN 474-3: 60% of full turn static tipping load on rough terrain or hydraulic limit.
CEN EN 474-3: 80% of full turn static tipping load on firm and level ground or hydraulic limit.

*SAE - Society of Automotive Engineers
**CEN - European Committee for Standardization



WARNING: Do not exceed tine load capacity. Individual tine capacity is stamped on the side of each tine.

966 Forestry Machine Specifications

Fork Specifications

Fork Specifications

| | | | |
|----|---|-----|-------|
| 1 | Tine Length | mm | 1829 |
| | | in | 72.0 |
| 2 | Load Center | mm | 915 |
| | | in | 36.0 |
| | Static Tipping Load - Straight (Forks Level) | kq | 13665 |
| | | lbs | 30118 |
| | Static Tipping Load - Articulated (Forks Level) | kq | 11994 |
| | | lbs | 26435 |
| | Rated Load (SAE J1197 - 50% FTSTL) | kq | 5997 |
| | | lbs | 13217 |
| | Rated Load (CEN EN 474-3 Rough Terrain - 60% FTSTL) | kq | 7196 |
| | | lbs | 15861 |
| | Rated Load (CEN EN 474-3 Firm and Level Ground - 80% FTSTL) | kq | 9443 |
| | | lbs | 20812 |
| 3 | Maximum Overall Length | mm | 9826 |
| | | in | 386.8 |
| 4 | Reach with Forks at Ground Level | mm | 1120 |
| | | in | 44.1 |
| 5 | *Ground to Bottom of Tine at Minimum Height and Fork Level | mm | -88 |
| | | in | -3.5 |
| 6 | Reach with Arms Horizontal and Forks Level | mm | 1728 |
| | | in | 68.0 |
| 7 | Reach with Fork at Maximum Height | mm | 860 |
| | | in | 33.9 |
| 8 | Ground to Top of Tine with Arms Horizontal and Fork Level | mm | 1968 |
| | | in | 77.5 |
| 9 | Ground to Top of Tine at Maximum Height and Fork Level | mm | 4052 |
| | | in | 159.5 |
| 10 | Overall Height of Fork at Full Lift (top of carriage to ground) | mm | 5565 |
| | | in | 219.1 |
| 11 | Clearance at Full Lift and Max Dump | mm | 2377 |
| | | in | 93.6 |
| 12 | Max Discharge Angle from Horizontal | deg | 47 |
| 13 | Overall Carriage Width | mm | 2470 |
| | | in | 97.3 |
| 14 | Overall Carriage Height | mm | 1603 |
| | | in | 63.1 |
| 15 | Outside Tine Width (max spread) | mm | 2366 |
| | | in | 93.1 |
| 16 | Outside Tine Width (min spread) | mm | 1002 |
| | | in | 39.4 |
| | Tine Width (single tine) | mm | 180.0 |
| | | in | 7.1 |
| | Tine Thickness | mm | 90.0 |
| | | in | 3.5 |
| | Tine Capacity | kq | 12600 |
| | | lbs | 27770 |
| | Operating Weight | kq | 24202 |
| | | lbs | 53341 |

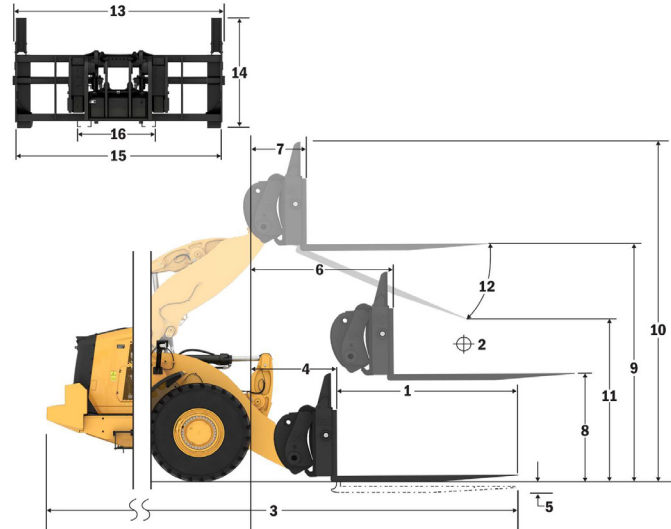
*Negative values indicate below grade

966 LOG

Log & Lumber No Clamp, FUSION

72" Tine

379-2199



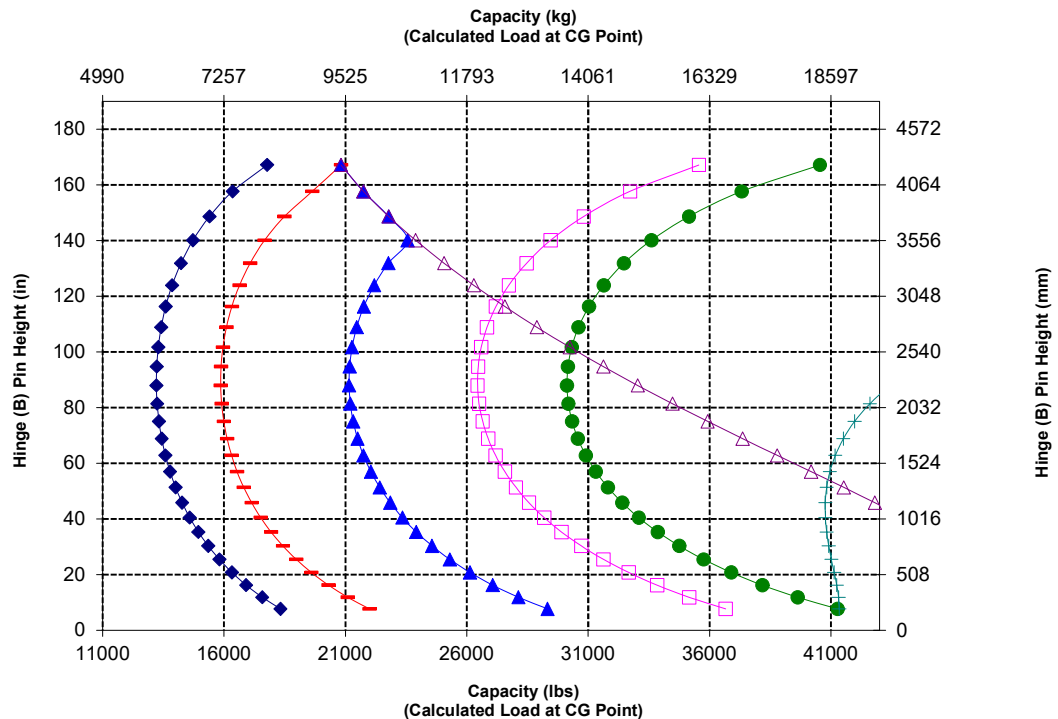
- ◆ Payload (SAE J1197)
- ◆ Payload (CEN EN 474-3 - Rough Terrain)
- ◆ Payload (CEN EN 474-3 - Firm & Level)
- ◆ Static Tipping Load - Articulated
- ◆ Static Tipping Load - Straight
- ◆ Hydraulic Tilt Capacity
- ◆ Hydraulic Lift Capacity

NOTE: Static tipping loads and operating weight are based on the following loader configuration: Bridgestone VJT L3 Tires, Air Conditioning, Ride Control, Powertrain Guard, Full Fluids, Fuel Tank, Coolant, Lubricants, and Operator.

Specifications and ratings conform to the following standards: SAE* J1197, ISO 14397-1, CEN** EN 474-3.

The rated operating load for a loader equipped with a pallet fork is determined by:
 SAE J1197: 50% of full turn static tipping load or hydraulic limit.
 CEN EN 474-3: 60% of full turn static tipping load on rough terrain or hydraulic limit.
 CEN EN 474-3: 80% of full turn static tipping load on firm and level ground or hydraulic limit.

*SAE - Society of Automotive Engineers
 **CEN - European Committee for Standardization



WARNING: Do not exceed tine load capacity. Individual tine capacity is stamped on the side of each tine.

966 Forestry Machine Specifications

Fork Specifications

Fork Specifications

| | | | |
|----|---|-----|-------|
| 1 | Tine Length | mm | 2438 |
| | | in | 96.0 |
| 2 | Load Center | mm | 1219 |
| | | in | 48.0 |
| | Static Tipping Load - Straight (Forks Level) | kg | 12453 |
| | | lbs | 27445 |
| | Static Tipping Load - Articulated (Forks Level) | kg | 10914 |
| | | lbs | 24055 |
| | Rated Load (SAE J1197 - 50% FTSTL) | kg | 5457 |
| | | lbs | 12027 |
| | Rated Load (CEN EN 474-3 Rough Terrain - 60% FTSTL) | kg | 6548 |
| | | lbs | 14433 |
| | Rated Load (CEN EN 474-3 Firm and Level Ground - 80% FTSTL) | kg | 7575 |
| | | lbs | 16695 |
| 3 | Maximum Overall Length | mm | 10435 |
| | | in | 410.8 |
| 4 | Reach with Forks at Ground Level | mm | 1121 |
| | | in | 44.1 |
| 5 | *Ground to Bottom of Tine at Minimum Height and Fork Level | mm | -88 |
| | | in | -3.5 |
| 6 | Reach with Arms Horizontal and Forks Level | mm | 1728 |
| | | in | 68.0 |
| 7 | Reach with Fork at Maximum Height | mm | 861 |
| | | in | 33.9 |
| 8 | Ground to Top of Tine with Arms Horizontal and Fork Level | mm | 1968 |
| | | in | 77.5 |
| 9 | Ground to Top of Tine at Maximum Height and Fork Level | mm | 4052 |
| | | in | 159.5 |
| 10 | Overall Height of Fork at Full Lift (top of carriage to ground) | mm | 5565 |
| | | in | 219.1 |
| 11 | Clearance at Full Lift and Max Dump | mm | 1932 |
| | | in | 76.1 |
| 12 | Max Discharge Angle from Horizontal | deg | 47 |
| 13 | Overall Carriage Width | mm | 2470 |
| | | in | 97.3 |
| 14 | Overall Carriage Height | mm | 1603 |
| | | in | 63.1 |
| 15 | Outside Tine Width (max spread) | mm | 2366 |
| | | in | 93.1 |
| 16 | Outside Tine Width (min spread) | mm | 1002 |
| | | in | 39.4 |
| | Tine Width (single tine) | mm | 180.0 |
| | | in | 7.1 |
| | Tine Thickness | mm | 90.0 |
| | | in | 3.5 |
| | Tine Capacity | kg | 10100 |
| | | lbs | 22260 |
| | Operating Weight | kg | 24330 |
| | | lbs | 53624 |

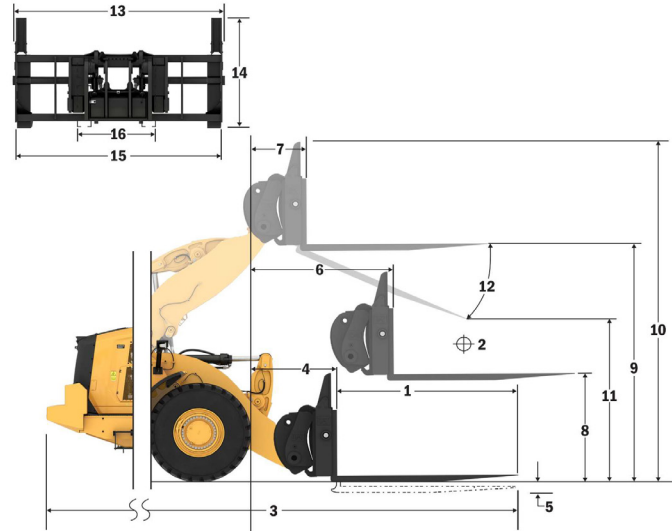
*Negative values indicate below grade

966 LOG

Log & Lumber No Clamp, FUSION

96" Tine

379-2321



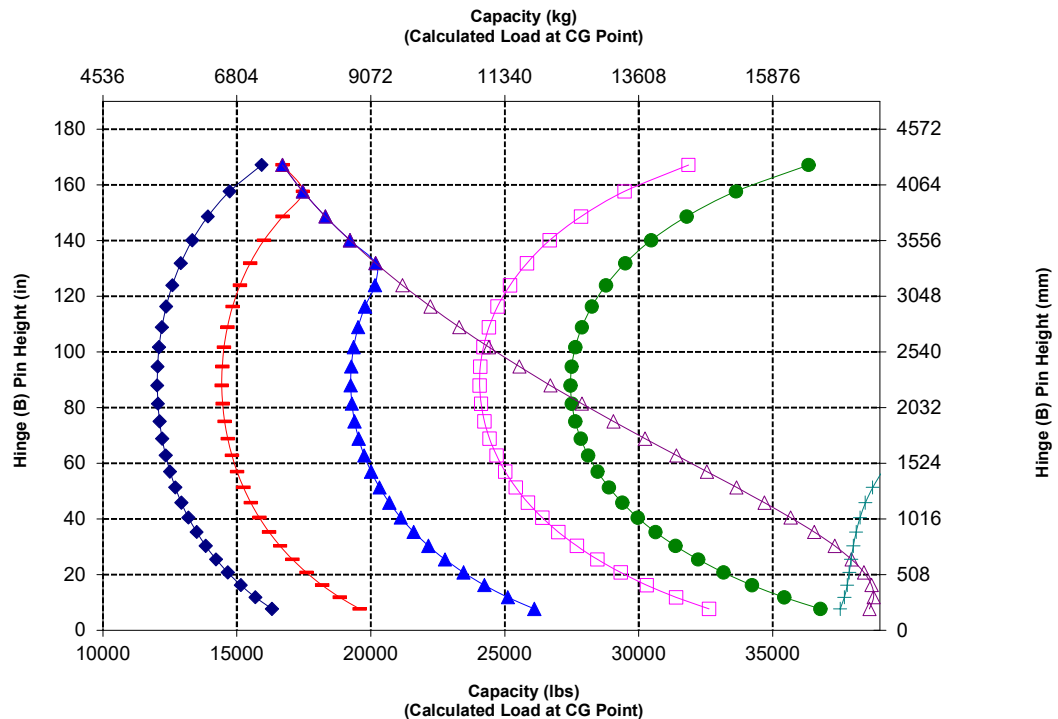
- ◆ Payload (SAE J1197)
- ◆ Payload (CEN EN 474-3 - Rough Terrain)
- ◆ Payload (CEN EN 474-3 - Firm & Level)
- ◆ Static Tipping Load - Articulated
- ◆ Static Tipping Load - Straight
- ◆ Hydraulic Tilt Capacity
- ◆ Hydraulic Lift Capacity

NOTE: Static tipping loads and operating weight are based on the following loader configuration: Bridgestone VJT L3 Tires, Air Conditioning, Ride Control, Powertrain Guard, Full Fluids, Fuel Tank, Coolant, Lubricants, and Operator.

Specifications and ratings conform to the following standards: SAE* J1197, ISO 14397-1, CEN** EN 474-3.

The rated operating load for a loader equipped with a pallet fork is determined by:
SAE J1197: 50% of full turn static tipping load or hydraulic limit.
CEN EN 474-3: 60% of full turn static tipping load on rough terrain or hydraulic limit.
CEN EN 474-3: 80% of full turn static tipping load on firm and level ground or hydraulic limit.

*SAE - Society of Automotive Engineers
**CEN - European Committee for Standardization



WARNING: Do not exceed tine load capacity. Individual tine capacity is stamped on the side of each tine.

966 Forestry Machine Specifications

Fork Specifications

Fork Specifications

| | | | |
|----|---|-----|-------|
| 1 | Tine Length | mm | 2438 |
| | | in | 96.0 |
| 2 | Load Center | mm | 1219 |
| | | in | 48.0 |
| | Static Tipping Load - Straight (Forks Level) | kg | 10803 |
| | | lbs | 23810 |
| | Static Tipping Load - Articulated (Forks Level) | kg | 9285 |
| | | lbs | 20465 |
| | Rated Load (SAE J1197 - 50% FTSTL) | kg | 4643 |
| | | lbs | 10232 |
| | Rated Load (CEN EN 474-3 Rough Terrain - 60% FTSTL) | kg | 5571 |
| | | lbs | 12279 |
| | Rated Load (CEN EN 474-3 Firm and Level Ground - 80% FTSTL) | kg | 6276 |
| | | lbs | 13833 |
| 3 | Maximum Overall Length | mm | 10479 |
| | | in | 412.6 |
| 4 | Reach with Forks at Ground Level | mm | 1164 |
| | | in | 45.8 |
| 5 | *Ground to Bottom of Tine at Minimum Height and Fork Level | mm | -64 |
| | | in | -2.5 |
| 6 | Reach with Arms Horizontal and Forks Level | mm | 1790 |
| | | in | 70.5 |
| 7 | Reach with Fork at Maximum Height | mm | 923 |
| | | in | 36.3 |
| 8 | Ground to Top of Tine with Arms Horizontal and Fork Level | mm | 1993 |
| | | in | 78.5 |
| 9 | Ground to Top of Tine at Maximum Height and Fork Level | mm | 4076 |
| | | in | 160.5 |
| 10 | Overall Height of Fork at Full Lift (top of carriage to ground) | mm | 5539 |
| | | in | 218.1 |
| 11 | Clearance at Full Lift and Max Dump | mm | 1774 |
| | | in | 69.9 |
| 12 | Max Discharge Angle from Horizontal | deg | 51 |
| 13 | Overall Carriage Width | mm | 3131 |
| | | in | 123.3 |
| 14 | Overall Carriage Height | mm | 1553 |
| | | in | 61.1 |
| 15 | Outside Tine Width (max spread) | mm | 2991 |
| | | in | 117.8 |
| 16 | Outside Tine Width (min spread) | mm | 2991 |
| | | in | 117.8 |
| | Tine Width (single tine) | mm | 200.0 |
| | | in | 7.9 |
| | Tine Thickness | mm | 90.0 |
| | | in | 3.5 |
| | Operating Weight | kg | 25869 |
| | | lbs | 57015 |
| | Active-Clamp Tine Lift Capacity | kg | 7621 |
| | | lbs | 16796 |
| | Tine Capacity | kg | 12701 |
| | | lbs | 27993 |

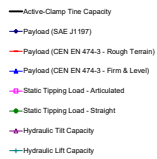
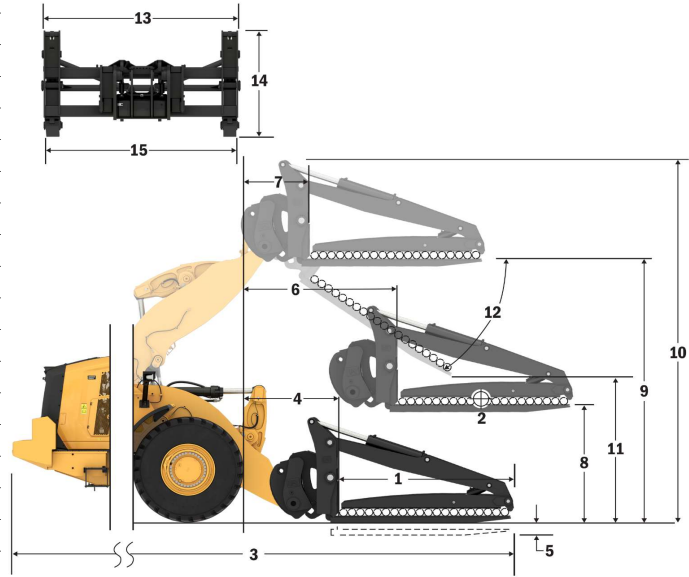
*Negative values indicate below grade

966 LOG

Pipe & Pole 3" Row, FUSION

96" Tine

365-1318

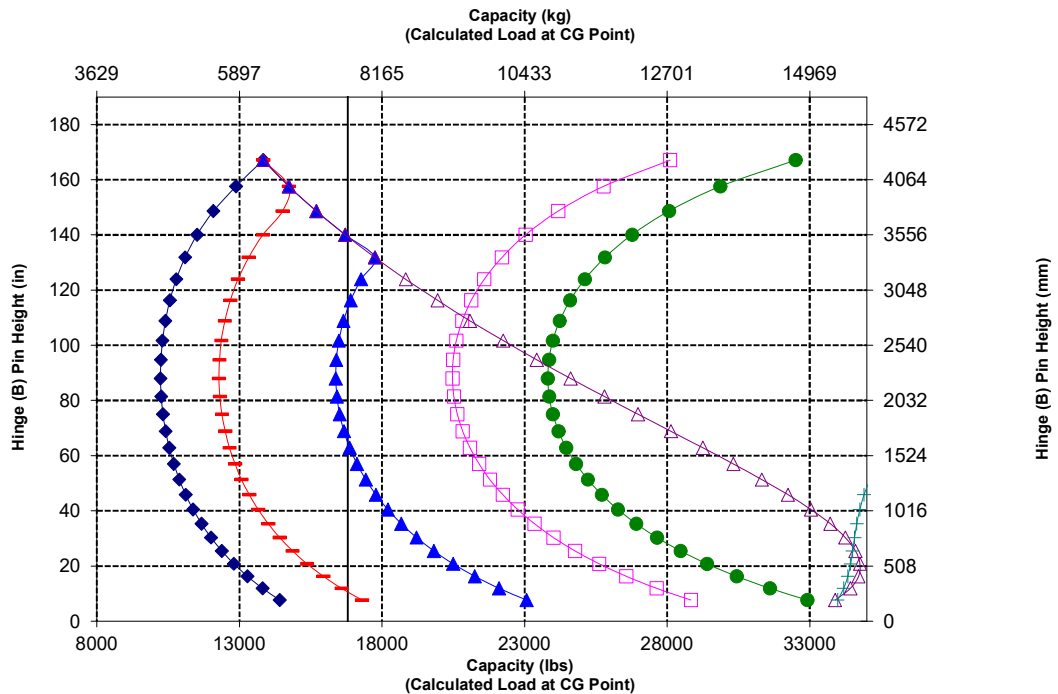


NOTE: Static tipping loads and operating weight are based on the following loader configuration: Bridgestone VJT L3 Tires, Air Conditioning, Ride Control, Powertrain Guard, Full Fluids, Fuel Tank, Coolant, Lubricants, and Operator.

Specifications and ratings conform to the following standards: SAE* J1197, ISO 14397-1, CEN** EN 474-3.

The rated operating load for a loader equipped with a pallet fork is determined by:
SAE J1197: 50% of full turn static tipping load or hydraulic limit.
CEN EN 474-3: 60% of full turn static tipping load on rough terrain or hydraulic limit.
CEN EN 474-3: 80% of full turn static tipping load on firm and level ground or hydraulic limit.

*SAE - Society of Automotive Engineers
**CEN - European Committee for Standardization



WARNING: Do not exceed tine load capacity. Individual tine capacity is stamped on the side of each tine.



WARNING: When clamp is continuously supplied with 15513 kPa (2250 psi), tine rating is 7621 kg (16796 lbs.) at 1219 mm (48") load center per pair.

Fork Specifications

Fork Specifications

| | | | |
|----|---|-----|-------|
| 1 | Tine Length | mm | 2438 |
| | | in | 96.0 |
| 2 | Load Center | mm | 1219 |
| | | in | 48.0 |
| | Static Tipping Load - Straight (Forks Level) | kg | 13277 |
| | | lbs | 29262 |
| | Static Tipping Load - Articulated (Forks Level) | kg | 11401 |
| | | lbs | 25128 |
| | Rated Load (SAE J1197 - 50% FTSTL) | kg | 5701 |
| | | lbs | 12564 |
| | Rated Load (CEN EN 474-3 Rough Terrain - 60% FTSTL) | kg | 6841 |
| | | lbs | 15077 |
| | Rated Load (CEN EN 474-3 Firm and Level Ground - 80% FTSTL) | kg | 9121 |
| | | lbs | 20103 |
| 3 | Maximum Overall Length | mm | 10479 |
| | | in | 412.6 |
| 4 | Reach with Forks at Ground Level | mm | 1164 |
| | | in | 45.8 |
| 5 | *Ground to Bottom of Tine at Minimum Height and Fork Level | mm | -64 |
| | | in | -2.5 |
| 6 | Reach with Arms Horizontal and Forks Level | mm | 1790 |
| | | in | 70.5 |
| 7 | Reach with Fork at Maximum Height | mm | 923 |
| | | in | 36.3 |
| 8 | Ground to Top of Tine with Arms Horizontal and Fork Level | mm | 1993 |
| | | in | 78.5 |
| 9 | Ground to Top of Tine at Maximum Height and Fork Level | mm | 4076 |
| | | in | 160.5 |
| 10 | Overall Height of Fork at Full Lift (top of carriage to ground) | mm | 5539 |
| | | in | 218.1 |
| 11 | Clearance at Full Lift and Max Dump | mm | 1774 |
| | | in | 69.9 |
| 12 | Max Discharge Angle from Horizontal | deg | 51 |
| 13 | Overall Carriage Width | mm | 3131 |
| | | in | 123.3 |
| 14 | Overall Carriage Height | mm | 1553 |
| | | in | 61.1 |
| 15 | Outside Tine Width (max spread) | mm | 2991 |
| | | in | 117.8 |
| 16 | Outside Tine Width (min spread) | mm | 2991 |
| | | in | 117.8 |
| | Tine Width (single tine) | mm | 200.0 |
| | | in | 7.9 |
| | Tine Thickness | mm | 90.0 |
| | | in | 3.5 |
| | Operating Weight | kg | 25869 |
| | | lbs | 57015 |
| | Active-Clamp Tine Lift Capacity | kg | 7621 |
| | | lbs | 16796 |
| | Tine Capacity | kg | 12701 |
| | | lbs | 27993 |

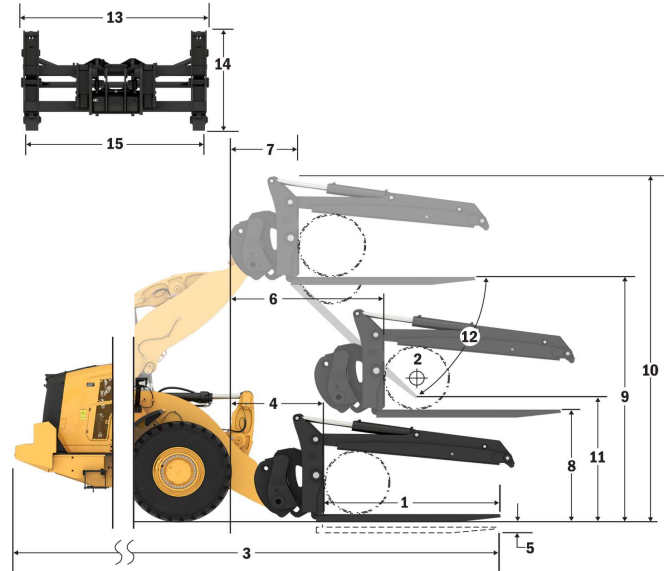
*Negative values indicate below grade

966 LOG

Pipe & Pole 30" Row, FUSION

96" Tine

365-1318



Fork Specifications

Fork Specifications

| | | | |
|----|--|-----------------|---------|
| 1 | Tine length | mm | 1609 |
| | | in | 63.3 |
| 2 | Fork width | mm | 2324 |
| | | in | 91.5 |
| | End area | m ² | 1.26 |
| | | ft ² | 14 |
| 3 | Inside Height (only applies to double top clamp) | mm | 0 |
| | | in | 0 |
| 4 | Min. opening (only applies to millyard forks) | mm | 427 |
| | | in | 17 |
| | Operating Weight | kg | 25632 |
| | | lbs | 56509 |
| 5 | Distance inside of tine tips | mm | 1780 |
| | | in | 70 |
| | Static tipping load, articulated Fork level | kg | 12603 |
| | | lbs | 27785.7 |
| | Static tipping load, straight Fork level | kg | 14550 |
| | | lbs | 32077.8 |
| 6 | Max. height of fork (w/clamp open if applicable) | mm | 2843 |
| | | in | 111.9 |
| 7 | Clearance w/full lift, 45 deg dump (if max. dump <=> 45) | mm | 2765 |
| | | in | 108.8 |
| 8 | Clearance @ full lift fork level | mm | 3987 |
| | | in | 157.0 |
| 9 | Reach w/full lift, 45 deg dump (if max. dump <=> 45) | mm | 1511 |
| | | in | 59.5 |
| 10 | Reach w/lift arm horizontal and fork level | mm | 3099 |
| | | in | 122.0 |
| 11 | *Ground to Bottom of Tool at Minimum Height and Tool Level | mm | -63 |
| | | in | -2.5 |
| 12 | Width over tines | mm | 2286 |
| | | in | 90.0 |
| 13 | Reach @ ground level | mm | 2398 |
| | | in | 94 |
| 14 | Max. opening across tine and clamp | mm | 2709 |
| | | in | 106.7 |
| 15 | Overall height of fork @ full lift and clamp open | mm | 6830 |
| | | in | 268.9 |
| 16 | Overall length Tip of tine to rear of machine | mm | 9275 |
| | | in | 365.2 |
| 17 | Clearance @ full lift and max. dump Discharge (if <=> 45) | mm | 2526 |
| | | in | 99.5 |
| 18 | Clearance w/horizontal lift arms and fork level | mm | 1903.2 |
| | | in | 74.9 |
| 19 | Reach @ full lift and fork level | mm | 2231.4 |
| | | in | 87.8 |
| 20 | Max. discharge angle from horizontal | deg | 60 |
| | | rad | 1.0 |

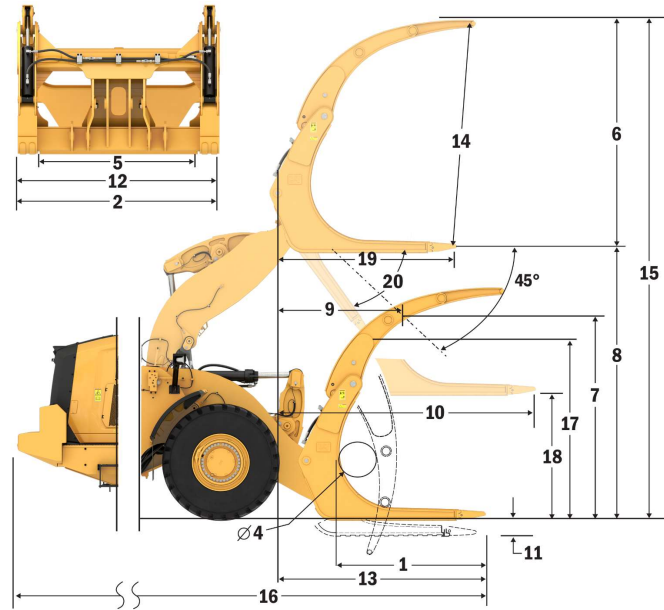
*Negative values indicate below grade

966 LOG

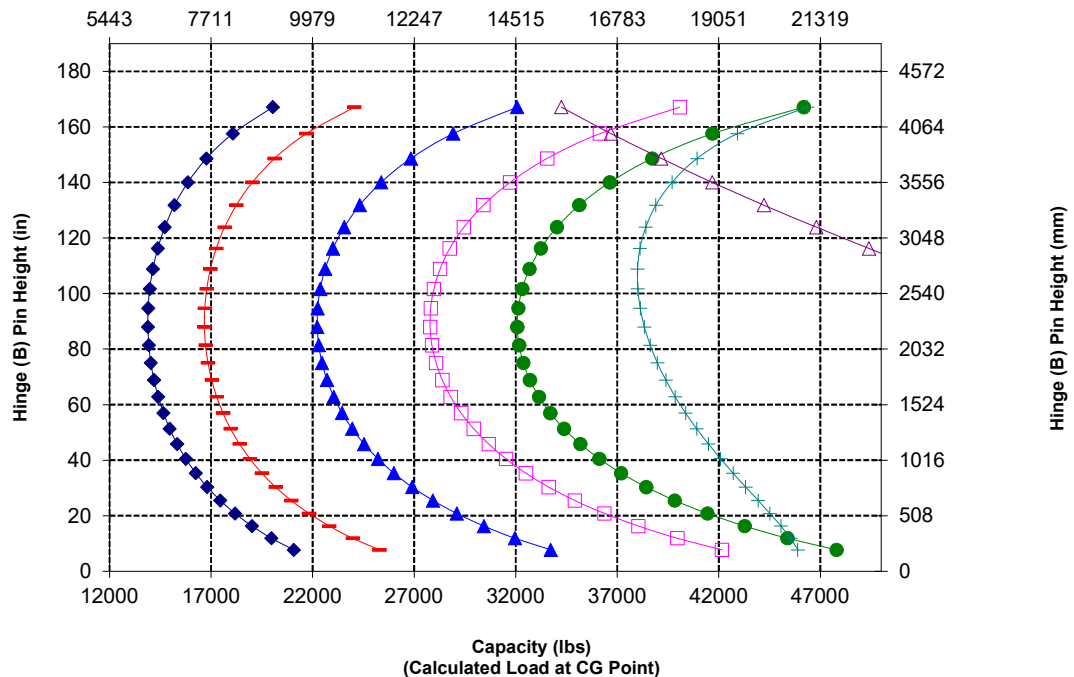
Millyard Fork, FUSION

63" Tine

383-3523



Capacity (kg)
(Calculated Load at CG Point)



966 Forestry Machine Specifications

Fork Specifications

Fork Specifications

| | | | |
|----|---|-----------------|---------|
| 1 | Tine length | mm | 1609 |
| | | in | 63.4 |
| 2 | Fork width | mm | 2498 |
| | | in | 98.3 |
| | End area | m ² | 1.91 |
| | | ft ² | 21 |
| 3 | Inside Height (only applies to double top clamp) | mm | 1376 |
| | | in | 54 |
| 4 | Min. opening (only applies to millyard forks) | mm | 0 |
| | | in | 0 |
| | Operating Weight | kg | 24875 |
| | | lbs | 54840 |
| 5 | Distance inside of tine tips | mm | 1892 |
| | | in | 74 |
| | Static tipping load, articulated Fork level | kg | 13196 |
| | | lbs | 29092.2 |
| | Static tipping load, straight Fork level | kg | 15125 |
| | | lbs | 33343.8 |
| 6 | Max. height of fork (w/clamp open if applicable) | mm | 2943 |
| | | in | 115.9 |
| 7 | Clearance w/full lift, 45 deg dump (if max. dump <= 45) | mm | 2859 |
| | | in | 112.5 |
| 8 | Clearance @ full lift fork level | mm | 3981 |
| | | in | 156.7 |
| 9 | Reach w/full lift, 45 deg dump (if max. dump <= 45) | mm | 1409 |
| | | in | 55.5 |
| 10 | Reach w/lift arm horizontal and fork level | mm | 2960 |
| | | in | 116.5 |
| 11 | *Ground to Bottom of Tool at Minimum Height and Tool Level | mm | -69 |
| | | in | -2.7 |
| 12 | Width over tines | mm | 2414 |
| | | in | 95.0 |
| 13 | Reach @ ground level | mm | 2264 |
| | | in | 89 |
| 14 | Max. opening across tine and clamp | mm | 2542 |
| | | in | 100.1 |
| 15 | Overall height of fork @ full lift and clamp open | mm | 6925 |
| | | in | 272.6 |
| 16 | Overall length Tip of tine to rear of machine | mm | 9141 |
| | | in | 359.9 |
| 17 | Clearance @ full lift and max. dump Discharge (if <= 45) | mm | 2862 |
| | | in | 112.7 |
| 18 | Clearance w/horizontal lift arms and fork level | mm | 1897.7 |
| | | in | 74.7 |
| 19 | Reach @ full lift and fork level | mm | 2092.8 |
| | | in | 82.4 |
| 20 | Max. discharge angle from horizontal | deg | 45 |
| | | rad | 0.8 |
| | Tine Capacity | kg | N/A |
| | | lbs | N/A |

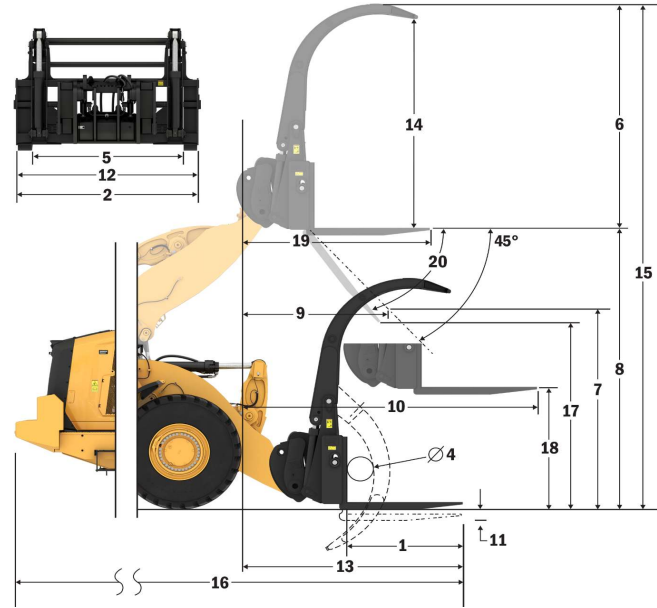
*Negative values indicate below grade

966 LOG

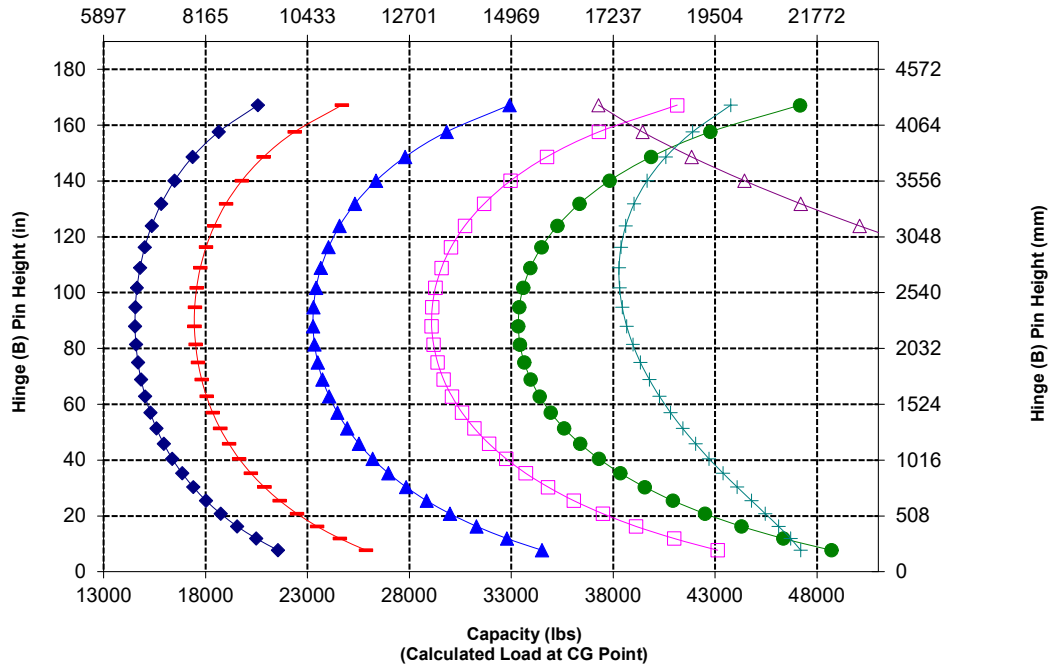
63" Tine

Log & Lumber with Clamp, Pin-On

398-4960



Capacity (kg)
(Calculated Load at CG Point)



966 Forestry Machine Specifications

Fork Specifications

Fork Specifications

| | | | |
|----|--|-----------------|---------|
| 1 | Tine length | mm | 1677 |
| | | in | 66.0 |
| 2 | Fork width | mm | 2236 |
| | | in | 88.0 |
| | End area | m ² | 1.58 |
| | | ft ² | 17 |
| 3 | Inside Height (only applies to double top clamp) | mm | 0 |
| | | in | 0 |
| 4 | Min. opening (only applies to millyard forks) | mm | 457 |
| | | in | 18 |
| | Operating Weight | kg | 24348 |
| | | lbs | 53678 |
| 5 | Distance inside of tine tips | mm | 1904 |
| | | in | 75 |
| | Static tipping load, articulated Fork level | kg | 12940 |
| | | lbs | 28527.3 |
| | Static tipping load, straight Fork level | kg | 14780 |
| | | lbs | 32583.0 |
| 6 | Max. height of fork (w/clamp open if applicable) | mm | 3154 |
| | | in | 124.2 |
| 7 | Clearance w/full lift, 45 deg dump (if max. dump <=> 45) | mm | 4313 |
| | | in | 169.8 |
| 8 | Clearance @ full lift fork level | mm | 3919 |
| | | in | 154.3 |
| 9 | Reach w/full lift, 45 deg dump (if max. dump <=> 45) | mm | 2399 |
| | | in | 94.4 |
| 10 | Reach w/lift arm horizontal and fork level | mm | 3241 |
| | | in | 127.6 |
| 11 | *Ground to Bottom of Tool at Minimum Height and Tool Level | mm | -132 |
| | | in | -5.2 |
| 12 | Width over tines | mm | 2184 |
| | | in | 86.0 |
| 13 | Reach @ ground level | mm | 2596 |
| | | in | 102 |
| 14 | Max. opening across tine and clamp | mm | 2931 |
| | | in | 115.4 |
| 15 | Overall height of fork @ full lift and clamp open | mm | 7073 |
| | | in | 278.5 |
| 16 | Overall length Tip of tine to rear of machine | mm | 9473 |
| | | in | 373.0 |
| 17 | Clearance @ full lift and max. dump Discharge (if <=> 45) | mm | 5744 |
| | | in | 226.1 |
| 18 | Clearance w/horizontal lift arms and fork level | mm | 1835.1 |
| | | in | 72.2 |
| 19 | Reach @ full lift and fork level | mm | 2373.3 |
| | | in | 93.4 |
| 20 | Max. discharge angle from horizontal | deg | 58 |
| | | rad | 1.0 |

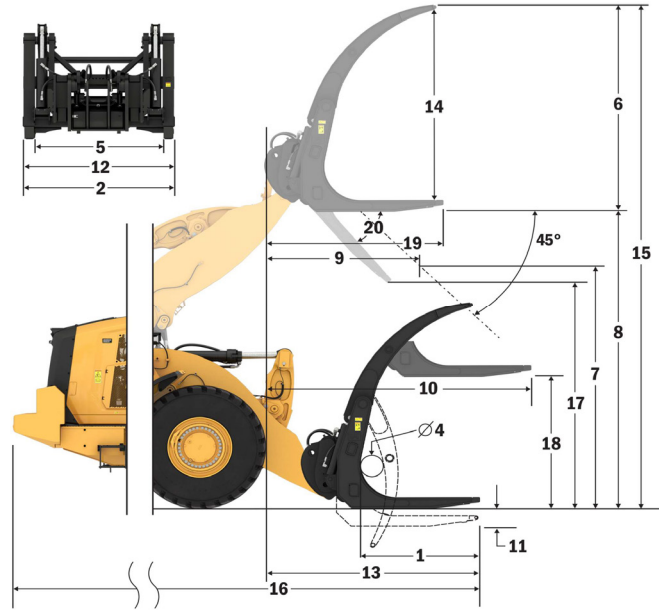
*Negative values indicate below grade

966 LOG

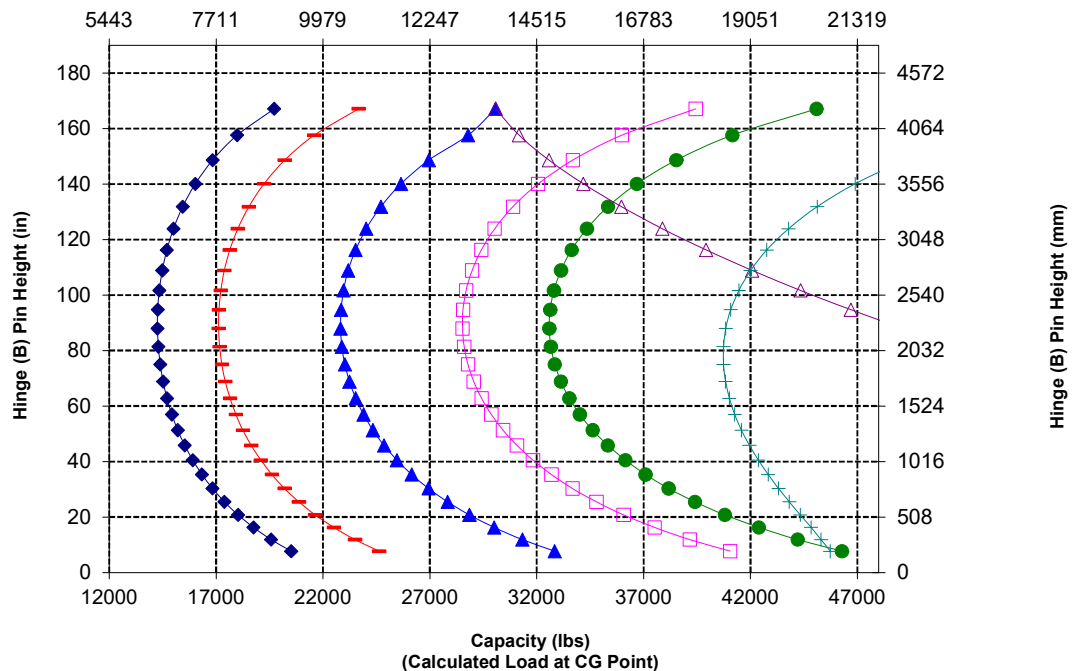
Millyard Pole, Pin-On

66" Tine

422-4917



Capacity (kg)
(Calculated Load at CG Point)



966 Forestry Machine Specifications

Fork Specifications

Fork Specifications

| | | | |
|----|---|-----|-------|
| 1 | Tine Length | mm | 1524 |
| | | in | 60.0 |
| 2 | Load Center | mm | 762 |
| | | in | 30.0 |
| | Static Tipping Load - Straight (Forks Level) | kq | 14329 |
| | | lbs | 31582 |
| | Static Tipping Load - Articulated (Forks Level) | kq | 12586 |
| | | lbs | 27740 |
| | Rated Load (SAE J1197 - 50% FTSTL) | kq | 6293 |
| | | lbs | 13870 |
| | Rated Load (CEN EN 474-3 Rough Terrain - 60% FTSTL) | kq | 7552 |
| | | lbs | 16644 |
| | Rated Load (CEN EN 474-3 Firm and Level Ground - 80% FTSTL) | kq | 10069 |
| | | lbs | 22192 |
| 3 | Maximum Overall Length | mm | 9521 |
| | | in | 374.8 |
| 4 | Reach with Forks at Ground Level | mm | 1120 |
| | | in | 44.1 |
| 5 | *Ground to Bottom of Tine at Minimum Height and Fork Level | mm | -88 |
| | | in | -3.5 |
| 6 | Reach with Arms Horizontal and Forks Level | mm | 1728 |
| | | in | 68.0 |
| 7 | Reach with Fork at Maximum Height | mm | 860 |
| | | in | 33.9 |
| 8 | Ground to Top of Tine with Arms Horizontal and Fork Level | mm | 1968 |
| | | in | 77.5 |
| 9 | Ground to Top of Tine at Maximum Height and Fork Level | mm | 4052 |
| | | in | 159.5 |
| 10 | Overall Height of Fork at Full Lift (top of carriage to ground) | mm | 5562 |
| | | in | 219.0 |
| 11 | Clearance at Full Lift and Max Dump | mm | 2600 |
| | | in | 102.4 |
| 12 | Max Discharge Angle from Horizontal | deg | 47 |
| 13 | Overall Carriage Width | mm | 2176 |
| | | in | 85.7 |
| 14 | Overall Carriage Height | mm | 1601 |
| | | in | 63.0 |
| 15 | Outside Tine Width (max spread) | mm | 2084 |
| | | in | 82.0 |
| 16 | Outside Tine Width (min spread) | mm | 1002 |
| | | in | 39.4 |
| | Tine Width (single tine) | mm | 180.0 |
| | | in | 7.1 |
| | Tine Thickness | mm | 90.0 |
| | | in | 3.5 |
| | Tine Capacity | kq | 15906 |
| | | lbs | 35057 |
| | Operating Weight | kq | 24120 |
| | | lbs | 53161 |

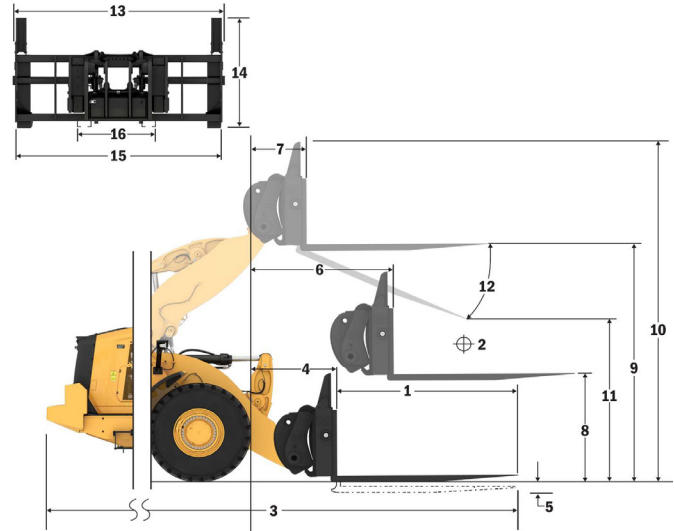
*Negative values indicate below grade

966 LOG

Log & Lumber No Clamp, FUSION

60" Tine

435-4634



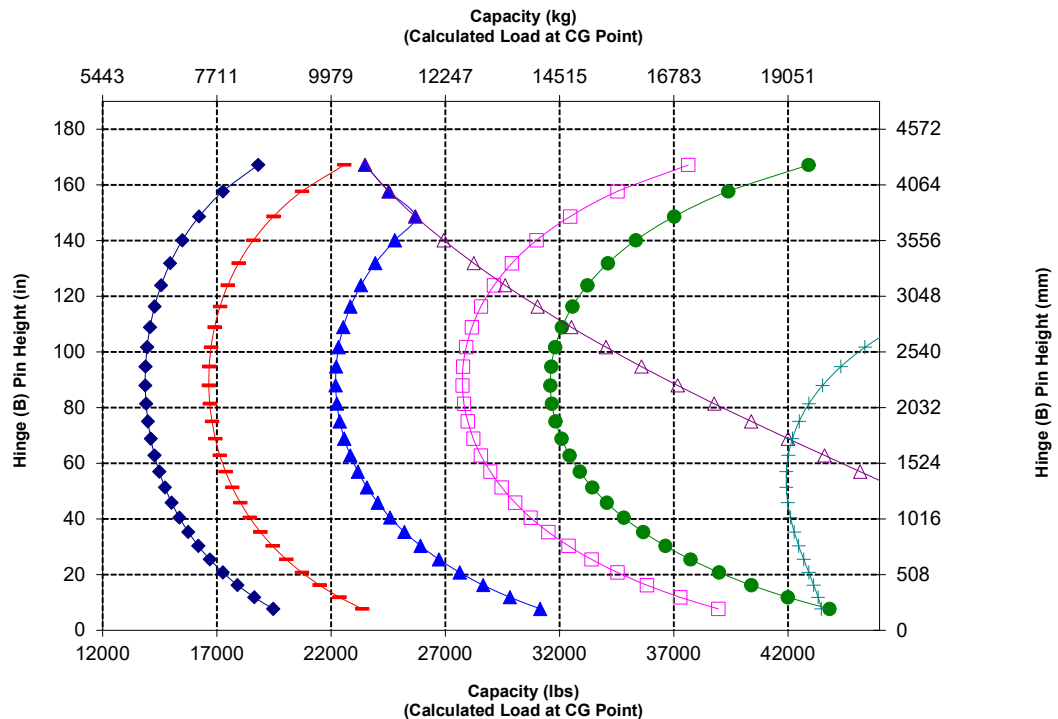
- ◆ Payload (SAE J1197)
- ◆ Payload (CEN EN 474-3 - Rough Terrain)
- ◆ Payload (CEN EN 474-3 - Firm & Level)
- ◆ Static Tipping Load - Articulated
- ◆ Static Tipping Load - Straight
- ◆ Hydraulic Tilt Capacity
- ◆ Hydraulic Lift Capacity

NOTE: Static tipping loads and operating weight are based on the following loader configuration: Bridgestone VJT L3 Tires, Air Conditioning, Ride Control, Powertrain Guard, Full Fluids, Fuel Tank, Coolant, Lubricants, and Operator.

Specifications and ratings conform to the following standards: SAE* J1197, ISO 14397-1, CEN** EN 474-3.

The rated operating load for a loader equipped with a pallet fork is determined by:
 SAE J1197: 50% of full turn static tipping load or hydraulic limit.
 CEN EN 474-3: 60% of full turn static tipping load on rough terrain or hydraulic limit.
 CEN EN 474-3: 80% of full turn static tipping load on firm and level ground or hydraulic limit.

*SAE - Society of Automotive Engineers
 **CEN - European Committee for Standardization



WARNING: Do not exceed tine load capacity. Individual tine capacity is stamped on the side of each tine.

966 Forestry Machine Specifications

Fork Specifications

Fork Specifications

| | | | |
|----|---|-----|-------|
| 1 | Tine Length | mm | 1829 |
| | | in | 72.0 |
| 2 | Load Center | mm | 915 |
| | | in | 36.0 |
| | Static Tipping Load - Straight (Forks Level) | kg | 13653 |
| | | lbs | 30091 |
| | Static Tipping Load - Articulated (Forks Level) | kg | 11985 |
| | | lbs | 26415 |
| | Rated Load (SAE J1197 - 50% FTSTL) | kg | 5992 |
| | | lbs | 13207 |
| | Rated Load (CEN EN 474-3 Rough Terrain - 60% FTSTL) | kg | 7191 |
| | | lbs | 15849 |
| | Rated Load (CEN EN 474-3 Firm and Level Ground - 80% FTSTL) | kg | 9398 |
| | | lbs | 20714 |
| 3 | Maximum Overall Length | mm | 9826 |
| | | in | 386.8 |
| 4 | Reach with Forks at Ground Level | mm | 1120 |
| | | in | 44.1 |
| 5 | *Ground to Bottom of Tine at Minimum Height and Fork Level | mm | -88 |
| | | in | -3.5 |
| 6 | Reach with Arms Horizontal and Forks Level | mm | 1728 |
| | | in | 68.0 |
| 7 | Reach with Fork at Maximum Height | mm | 860 |
| | | in | 33.9 |
| 8 | Ground to Top of Tine with Arms Horizontal and Fork Level | mm | 1968 |
| | | in | 77.5 |
| 9 | Ground to Top of Tine at Maximum Height and Fork Level | mm | 4052 |
| | | in | 159.5 |
| 10 | Overall Height of Fork at Full Lift (top of carriage to ground) | mm | 5562 |
| | | in | 219.0 |
| 11 | Clearance at Full Lift and Max Dump | mm | 2377 |
| | | in | 93.6 |
| 12 | Max Discharge Angle from Horizontal | deg | 47 |
| 13 | Overall Carriage Width | mm | 2176 |
| | | in | 85.7 |
| 14 | Overall Carriage Height | mm | 1601 |
| | | in | 63.0 |
| 15 | Outside Tine Width (max spread) | mm | 2084 |
| | | in | 82.0 |
| 16 | Outside Tine Width (min spread) | mm | 1002 |
| | | in | 39.4 |
| | Tine Width (single tine) | mm | 180.0 |
| | | in | 7.1 |
| | Tine Thickness | mm | 90.0 |
| | | in | 3.5 |
| | Tine Capacity | kg | 12600 |
| | | lbs | 27770 |
| | Operating Weight | kg | 24182 |
| | | lbs | 53297 |

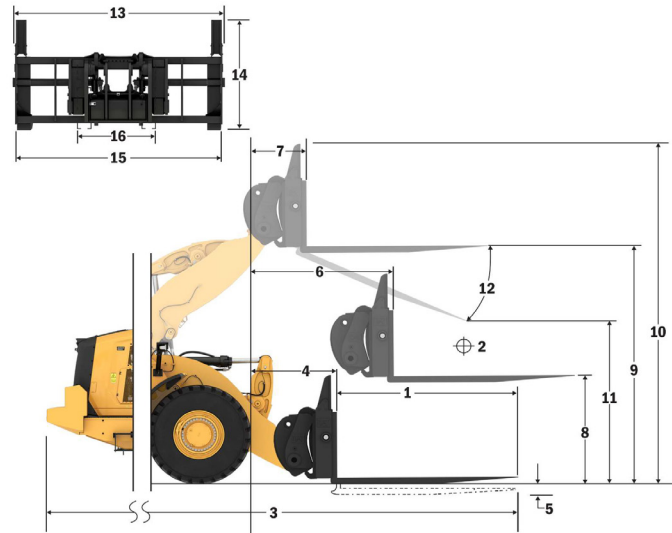
*Negative values indicate below grade

966 LOG

Log & Lumber No Clamp, FUSION

72" Tine

435-4684



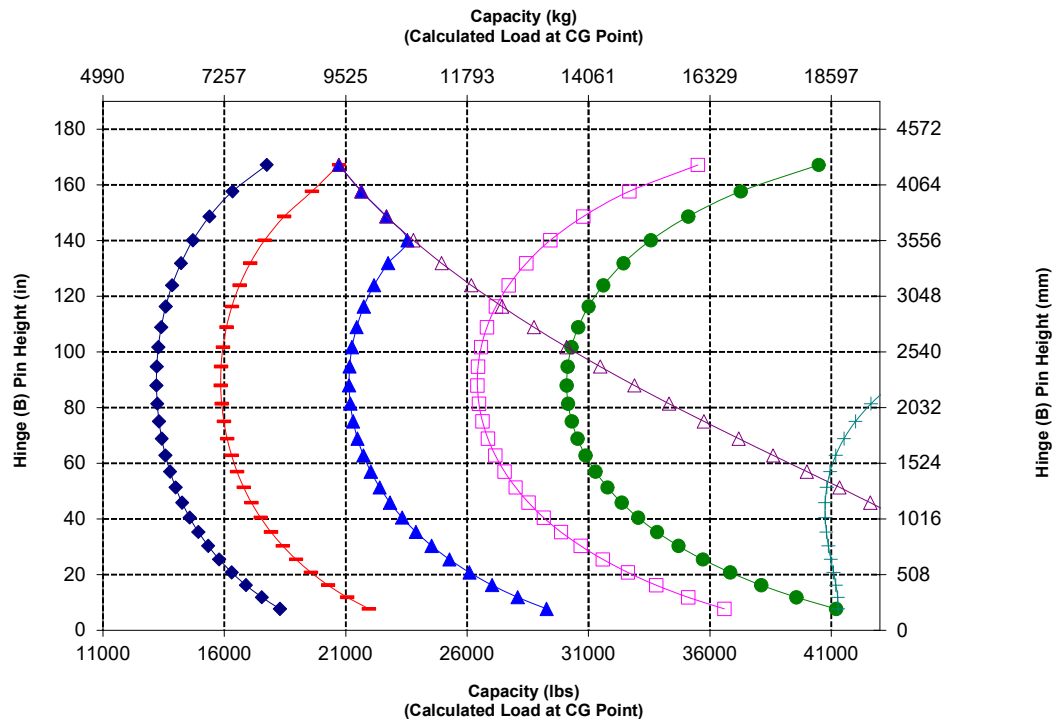
- ◆ Payload (SAE J1197)
- ◆ Payload (CEN EN 474-3 - Rough Terrain)
- ◆ Payload (CEN EN 474-3 - Firm & Level)
- ◆ Static Tipping Load - Articulated
- ◆ Static Tipping Load - Straight
- ◆ Hydraulic Tilt Capacity
- ◆ Hydraulic Lift Capacity

NOTE: Static tipping loads and operating weight are based on the following loader configuration: Bridgestone VJT L3 Tires, Air Conditioning, Ride Control, Powertrain Guard, Full Fluids, Fuel Tank, Coolant, Lubricants, and Operator.

Specifications and ratings conform to the following standards: SAE* J1197, ISO 14397-1, CEN** EN 474-3.

The rated operating load for a loader equipped with a pallet fork is determined by:
SAE J1197: 50% of full turn static tipping load or hydraulic limit.
CEN EN 474-3: 60% of full turn static tipping load on rough terrain or hydraulic limit.
CEN EN 474-3: 80% of full turn static tipping load on firm and level ground or hydraulic limit.

*SAE - Society of Automotive Engineers
**CEN - European Committee for Standardization



WARNING: Do not exceed tine load capacity. Individual tine capacity is stamped on the side of each tine.

966 Forestry Machine Specifications

Fork Specifications

Fork Specifications

| | | | |
|----|---|-----|-------|
| 1 | Tine Length | mm | 2438 |
| | | in | 96.0 |
| 2 | Load Center | mm | 1219 |
| | | in | 48.0 |
| | Static Tipping Load - Straight (Forks Level) | kq | 12443 |
| | | lbs | 27425 |
| | Static Tipping Load - Articulated (Forks Level) | kq | 10907 |
| | | lbs | 24040 |
| | Rated Load (SAE J1197 - 50% FTSTL) | kq | 5454 |
| | | lbs | 12020 |
| | Rated Load (CEN EN 474-3 Rough Terrain - 60% FTSTL) | kq | 6544 |
| | | lbs | 14424 |
| | Rated Load (CEN EN 474-3 Firm and Level Ground - 80% FTSTL) | kq | 7545 |
| | | lbs | 16630 |
| 3 | Maximum Overall Length | mm | 10435 |
| | | in | 410.8 |
| 4 | Reach with Forks at Ground Level | mm | 1121 |
| | | in | 44.1 |
| 5 | *Ground to Bottom of Tine at Minimum Height and Fork Level | mm | -88 |
| | | in | -3.5 |
| 6 | Reach with Arms Horizontal and Forks Level | mm | 1728 |
| | | in | 68.0 |
| 7 | Reach with Fork at Maximum Height | mm | 861 |
| | | in | 33.9 |
| 8 | Ground to Top of Tine with Arms Horizontal and Fork Level | mm | 1968 |
| | | in | 77.5 |
| 9 | Ground to Top of Tine at Maximum Height and Fork Level | mm | 4052 |
| | | in | 159.5 |
| 10 | Overall Height of Fork at Full Lift (top of carriage to ground) | mm | 5562 |
| | | in | 219.0 |
| 11 | Clearance at Full Lift and Max Dump | mm | 1932 |
| | | in | 76.1 |
| 12 | Max Discharge Angle from Horizontal | deg | 47 |
| 13 | Overall Carriage Width | mm | 2176 |
| | | in | 85.7 |
| 14 | Overall Carriage Height | mm | 1601 |
| | | in | 63.0 |
| 15 | Outside Tine Width (max spread) | mm | 2084 |
| | | in | 82.0 |
| 16 | Outside Tine Width (min spread) | mm | 1002 |
| | | in | 39.4 |
| | Tine Width (single tine) | mm | 180.0 |
| | | in | 7.1 |
| | Tine Thickness | mm | 90.0 |
| | | in | 3.5 |
| | Tine Capacity | kq | 10100 |
| | | lbs | 22260 |
| | Operating Weight | kq | 24310 |
| | | lbs | 53579 |

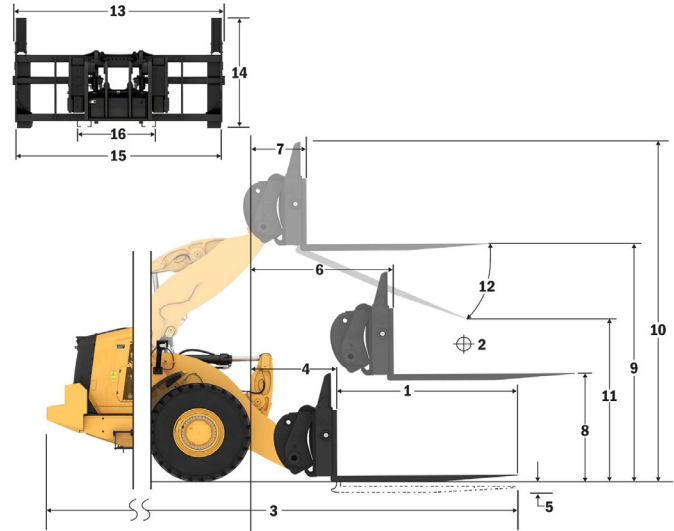
*Negative values indicate below grade

966 LOG

Log & Lumber No Clamp, FUSION

96" Tine

435-4686



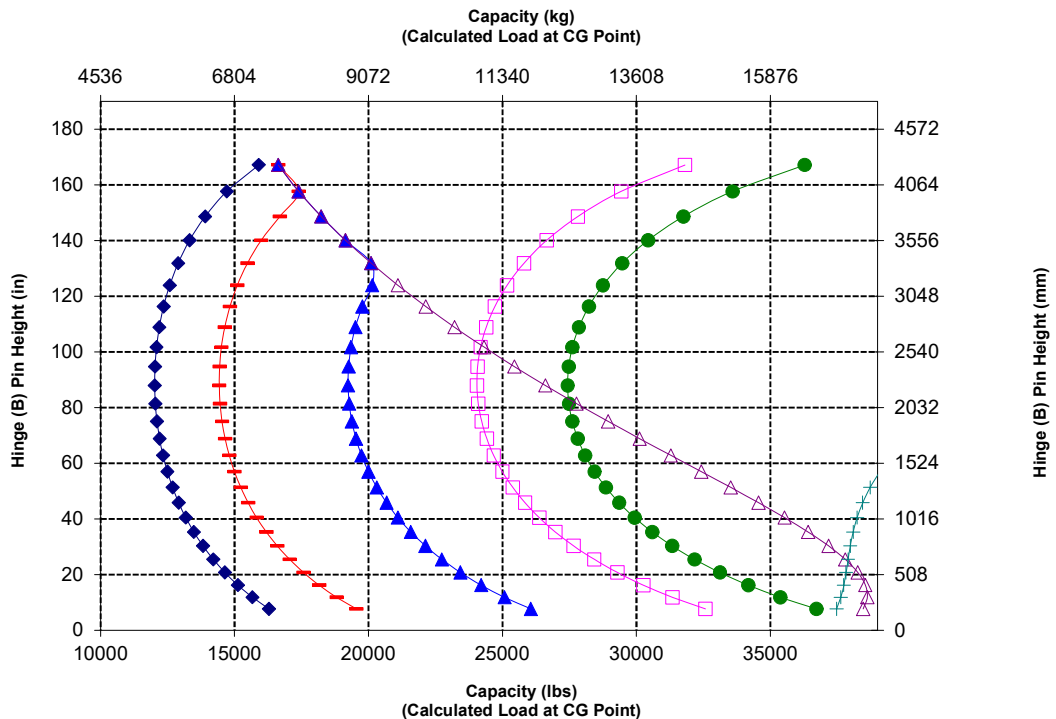
- ◆ Payload (SAE J1197)
- ◆ Payload (CEN EN 474-3 - Rough Terrain)
- ◆ Payload (CEN EN 474-3 - Firm & Level)
- ◆ Static Tipping Load - Articulated
- ◆ Static Tipping Load - Straight
- ◆ Hydraulic Tilt Capacity
- ◆ Hydraulic Lift Capacity

NOTE: Static tipping loads and operating weight are based on the following loader configuration: Bridgestone VJT L3 Tires, Air Conditioning, Ride Control, Powertrain Guard, Full Fluids, Fuel Tank, Coolant, Lubricants, and Operator.

Specifications and ratings conform to the following standards: SAE* J1197, ISO 14397-1, CEN** EN 474-3.

The rated operating load for a loader equipped with a pallet fork is determined by:
 SAE J1197: 50% of full turn static tipping load or hydraulic limit.
 CEN EN 474-3: 60% of full turn static tipping load on rough terrain or hydraulic limit.
 CEN EN 474-3: 80% of full turn static tipping load on firm and level ground or hydraulic limit.

*SAE - Society of Automotive Engineers
 **CEN - European Committee for Standardization



WARNING: Do not exceed tine load capacity. Individual tine capacity is stamped on the side of each tine.

Fork Specifications

Fork Specifications

| | | | |
|----|---|-----|-------|
| 1 | Tine Length | mm | 2438 |
| | | in | 96.0 |
| 2 | Load Center | mm | 1219 |
| | | in | 48.0 |
| | Static Tipping Load - Straight (Forks Level) | kg | 11511 |
| | | lbs | 25370 |
| | Static Tipping Load - Articulated (Forks Level) | kg | 9950 |
| | | lbs | 21930 |
| | Rated Load (SAE J1197 - 50% FTSTL) | kg | 4975 |
| | | lbs | 10965 |
| | Rated Load (CEN EN 474-3 Rough Terrain - 60% FTSTL) | kg | 5970 |
| | | lbs | 13158 |
| | Rated Load (CEN EN 474-3 Firm and Level Ground - 80% FTSTL) | kg | 7960 |
| | | lbs | 17544 |
| 3 | Maximum Overall Length | mm | 10406 |
| | | in | 409.7 |
| 4 | Reach with Forks at Ground Level | mm | 1091 |
| | | in | 42.9 |
| 5 | *Ground to Bottom of Tine at Minimum Height and Fork Level | mm | -109 |
| | | in | -4.3 |
| 6 | Reach with Arms Horizontal and Forks Level | mm | 1682 |
| | | in | 66.2 |
| 7 | Reach with Fork at Maximum Height | mm | 815 |
| | | in | 32.1 |
| 8 | Ground to Top of Tine with Arms Horizontal and Fork Level | mm | 1947 |
| | | in | 76.7 |
| 9 | Ground to Top of Tine at Maximum Height and Fork Level | mm | 4031 |
| | | in | 158.7 |
| 10 | Overall Height of Fork at Full Lift (top of carriage to ground) | mm | 5493 |
| | | in | 216.3 |
| 11 | Clearance at Full Lift and Max Dump | mm | 2016 |
| | | in | 79.4 |
| 12 | Max Discharge Angle from Horizontal | deg | 45 |
| 13 | Overall Carriage Width | mm | 3131 |
| | | in | 123.3 |
| 14 | Overall Carriage Height | mm | 1553 |
| | | in | 61.1 |
| 15 | Outside Tine Width (max spread) | mm | 2991 |
| | | in | 117.8 |
| 16 | Outside Tine Width (min spread) | mm | 2991 |
| | | in | 117.8 |
| | Tine Width (single tine) | mm | 200.0 |
| | | in | 7.9 |
| | Tine Thickness | mm | 90.0 |
| | | in | 3.5 |
| | Operating Weight | kg | 25315 |
| | | lbs | 55794 |
| | Active-Clamp Tine Lift Capacity | kg | 7621 |
| | | lbs | 16796 |
| | Tine Capacity | kg | 12701 |
| | | lbs | 27993 |

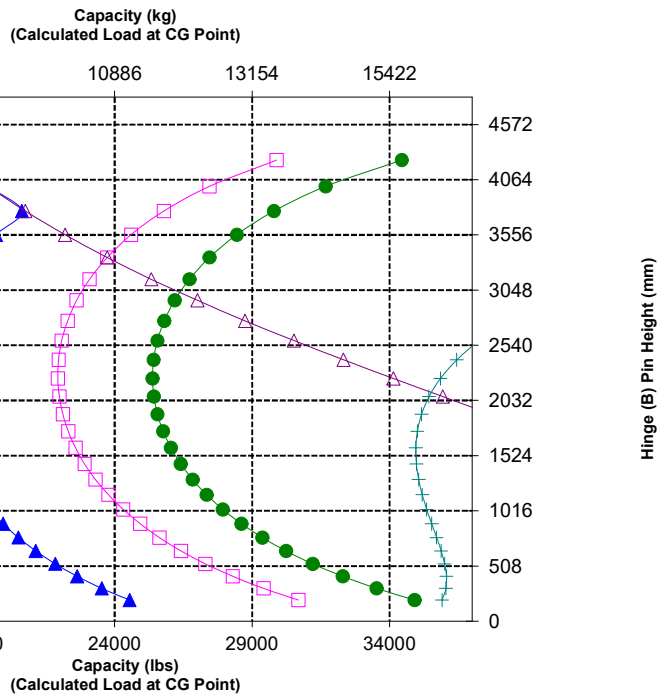
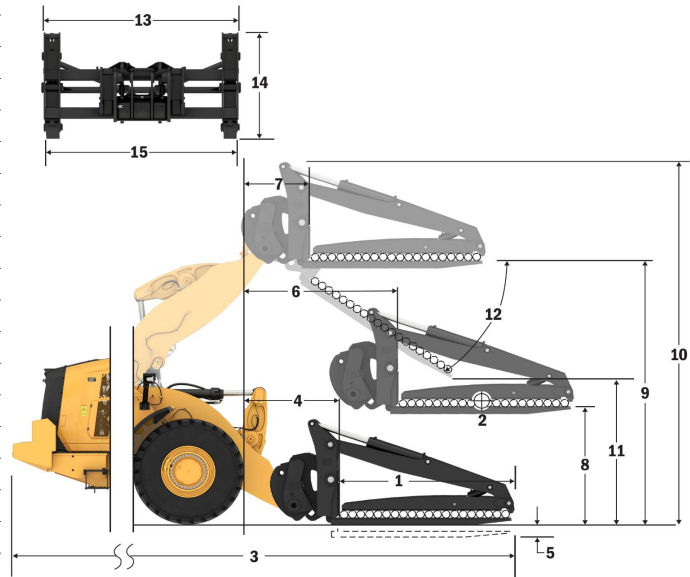
*Negative values indicate below grade

966 LOG

Pipe & Pole 3" Row, Pin-On

96" Tine

447-9939



NOTE: Static tipping loads and operating weight are based on the following loader configuration: Bridgestone VJT L3 Tires, Air Conditioning, Ride Control, Powertrain Guard, Full Fluids, Fuel Tank, Coolant, Lubricants, and Operator.

Specifications and ratings conform to the following standards: SAE* J1197, ISO 14397-1, CEN** EN 474-3.

The rated operating load for a loader equipped with a pallet fork is determined by:
SAE J1197: 50% of full turn static tipping load or hydraulic limit.
CEN EN 474-3: 60% of full turn static tipping load on rough terrain or hydraulic limit.
CEN EN 474-3: 80% of full turn static tipping load on firm and level ground or hydraulic limit.

*SAE - Society of Automotive Engineers

**CEN - European Committee for Standardization



WARNING: Do not exceed tine load capacity. Individual tine capacity is stamped on the side of each tine.



WARNING: When clamp is continuously supplied with 15513 kPa (2250 psi), tine rating is 7621 kg (16796 lbs.) at 1219 mm (48") load center per pair.

966 Forestry Machine Specifications

Fork Specifications

Fork Specifications

| | | | |
|----|---|-----|-------|
| 1 | Tine Length | mm | 2438 |
| | | in | 96.0 |
| 2 | Load Center | mm | 1219 |
| | | in | 48.0 |
| | Static Tipping Load - Straight (Forks Level) | kg | 14236 |
| | | lbs | 31377 |
| | Static Tipping Load - Articulated (Forks Level) | kg | 12295 |
| | | lbs | 27098 |
| | Rated Load (SAE J1197 - 50% FTSTL) | kg | 6147 |
| | | lbs | 13549 |
| | Rated Load (CEN EN 474-3 Rough Terrain - 60% FTSTL) | kg | 7377 |
| | | lbs | 16259 |
| | Rated Load (CEN EN 474-3 Firm and Level Ground - 80% FTSTL) | kg | 9836 |
| | | lbs | 21678 |
| 3 | Maximum Overall Length | mm | 10406 |
| | | in | 409.7 |
| 4 | Reach with Forks at Ground Level | mm | 1091 |
| | | in | 42.9 |
| 5 | *Ground to Bottom of Tine at Minimum Height and Fork Level | mm | -109 |
| | | in | -4.3 |
| 6 | Reach with Arms Horizontal and Forks Level | mm | 1682 |
| | | in | 66.2 |
| 7 | Reach with Fork at Maximum Height | mm | 815 |
| | | in | 32.1 |
| 8 | Ground to Top of Tine with Arms Horizontal and Fork Level | mm | 1947 |
| | | in | 76.7 |
| 9 | Ground to Top of Tine at Maximum Height and Fork Level | mm | 4031 |
| | | in | 158.7 |
| 10 | Overall Height of Fork at Full Lift (top of carriage to ground) | mm | 5493 |
| | | in | 216.3 |
| 11 | Clearance at Full Lift and Max Dump | mm | 2016 |
| | | in | 79.4 |
| 12 | Max Discharge Angle from Horizontal | deg | 45 |
| 13 | Overall Carriage Width | mm | 3131 |
| | | in | 123.3 |
| 14 | Overall Carriage Height | mm | 1553 |
| | | in | 61.1 |
| 15 | Outside Tine Width (max spread) | mm | 2991 |
| | | in | 117.8 |
| 16 | Outside Tine Width (min spread) | mm | 2991 |
| | | in | 117.8 |
| | Tine Width (single tine) | mm | 200.0 |
| | | in | 7.9 |
| | Tine Thickness | mm | 90.0 |
| | | in | 3.5 |
| | Operating Weight | kg | 25315 |
| | | lbs | 55794 |
| | Active-Clamp Tine Lift Capacity | kg | 7621 |
| | | lbs | 16796 |
| | Tine Capacity | kg | 12701 |
| | | lbs | 27993 |

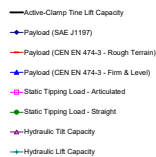
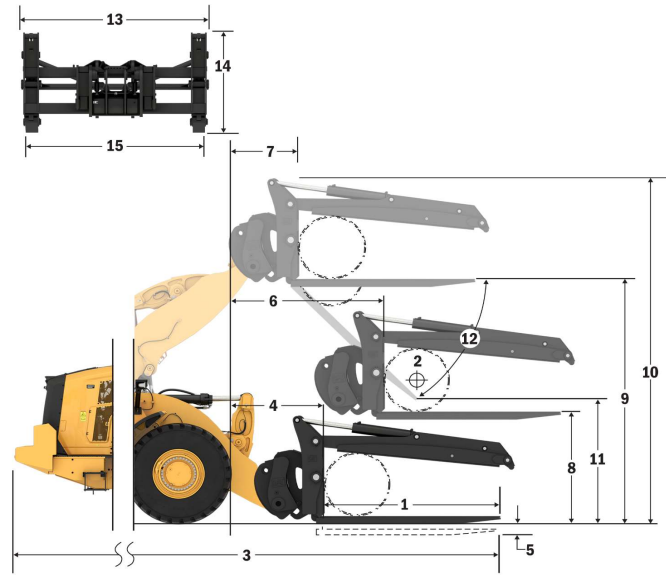
*Negative values indicate below grade

966 LOG

Pipe & Pole 30" Row, Pin-On

96" Tine

447-9939

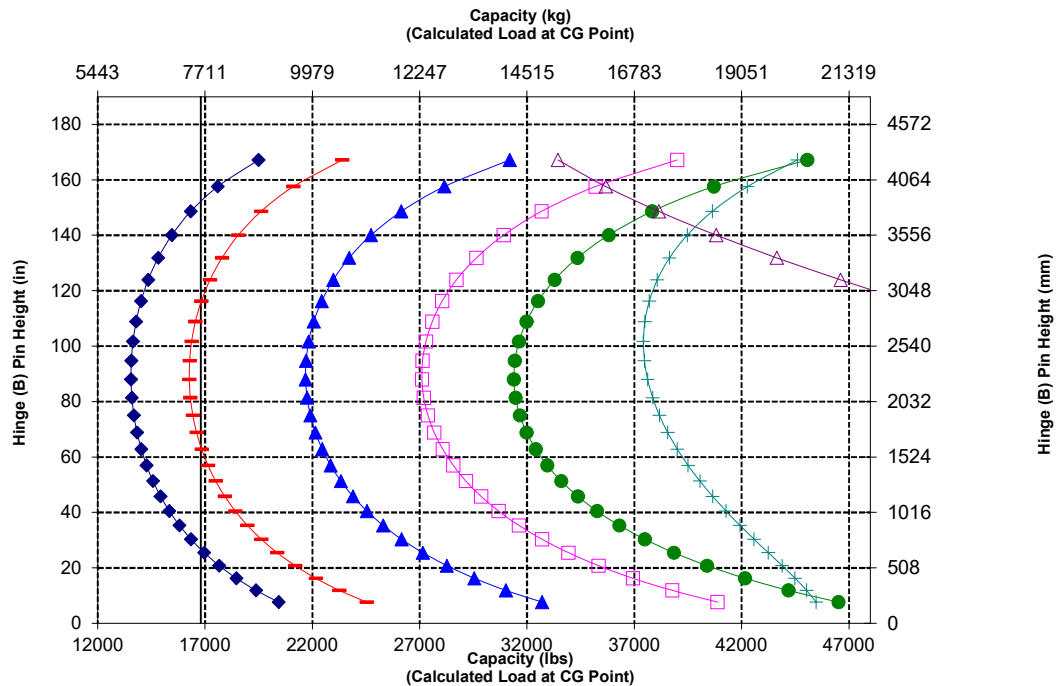


NOTE: Static tipping loads and operating weight are based on the following loader configuration: Bridgestone VJT L3 Tires, Air Conditioning, Ride Control, Powertrain Guard, Full Fluids, Fuel Tank, Coolant, Lubricants, and Operator.

Specifications and ratings conform to the following standards: SAE* J1197, ISO 14397-1, CEN** EN 474-3.

The rated operating load for a loader equipped with a pallet fork is determined by:
SAE J1197: 50% of full turn static tipping load or hydraulic limit.
CEN EN 474-3: 60% of full turn static tipping load on rough terrain or hydraulic limit.
CEN EN 474-3: 80% of full turn static tipping load on firm and level ground or hydraulic limit.

*SAE - Society of Automotive Engineers
**CEN - European Committee for Standardization



WARNING: Do not exceed tine load capacity. Individual tine capacity is stamped on the side of each tine.



WARNING: When clamp is continuously supplied with 15513 kPa (2250 psi), tine rating is 7621 kg (16796 lbs.) at 1219 mm (48") load center per pair.

Fork Specifications

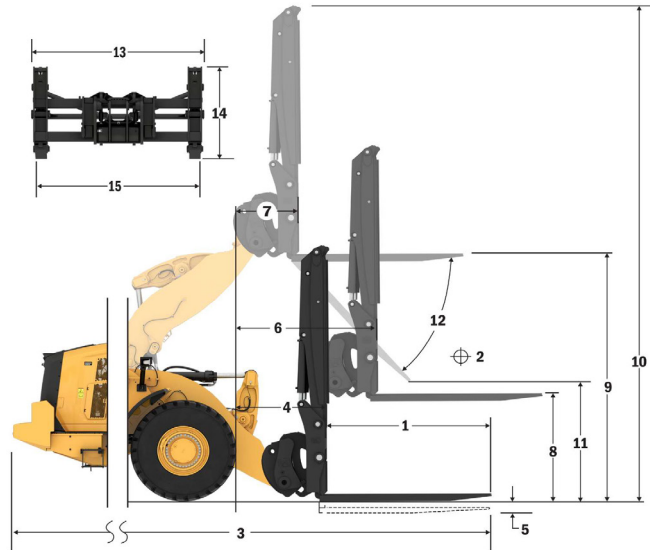
Fork Specifications

| | | | |
|----|---|-----|-------|
| 1 | Tine Length | mm | 2438 |
| | | in | 96.0 |
| 2 | Load Center | mm | 1219 |
| | | in | 48.0 |
| | Static Tipping Load - Straight (Forks Level) | kg | 11865 |
| | | lbs | 26151 |
| | Static Tipping Load - Articulated (Forks Level) | kg | 10310 |
| | | lbs | 22724 |
| | Rated Load (SAE J1197 - 50% FTSTL) | kg | 5155 |
| | | lbs | 11362 |
| | Rated Load (CEN EN 474-3 Rough Terrain - 60% FTSTL) | kg | 6186 |
| | | lbs | 13634 |
| | Rated Load (CEN EN 474-3 Firm and Level Ground - 80% FTSTL) | kg | 8248 |
| | | lbs | 18179 |
| 3 | Maximum Overall Length | mm | 10406 |
| | | in | 409.7 |
| 4 | Reach with Forks at Ground Level | mm | 1091 |
| | | in | 42.9 |
| 5 | *Ground to Bottom of Tine at Minimum Height and Fork Level | mm | -109 |
| | | in | -4.3 |
| 6 | Reach with Arms Horizontal and Forks Level | mm | 1682 |
| | | in | 66.2 |
| 7 | Reach with Fork at Maximum Height | mm | 815 |
| | | in | 32.1 |
| 8 | Ground to Top of Tine with Arms Horizontal and Fork Level | mm | 1947 |
| | | in | 76.7 |
| 9 | Ground to Top of Tine at Maximum Height and Fork Level | mm | 4031 |
| | | in | 158.7 |
| 10 | Overall Height of Fork at Full Lift (top of carriage to ground) | mm | 7103 |
| | | in | 279.7 |
| 11 | Clearance at Full Lift and Max Dump | mm | 2016 |
| | | in | 79.4 |
| 12 | Max Discharge Angle from Horizontal | deg | 45 |
| 13 | Overall Carriage Width | mm | 3131 |
| | | in | 123.3 |
| 14 | Overall Carriage Height | mm | 3163 |
| | | in | 124.5 |
| 15 | Outside Tine Width (max spread) | mm | 2991 |
| | | in | 117.8 |
| 16 | Outside Tine Width (min spread) | mm | 2991 |
| | | in | 117.8 |
| | Tine Width (single tine) | mm | 200.0 |
| | | in | 7.9 |
| | Tine Thickness | mm | 90.0 |
| | | in | 3.5 |
| | Operating Weight | kg | 25315 |
| | | lbs | 55794 |
| | Tine Capacity | kg | 12701 |
| | | lbs | 27993 |

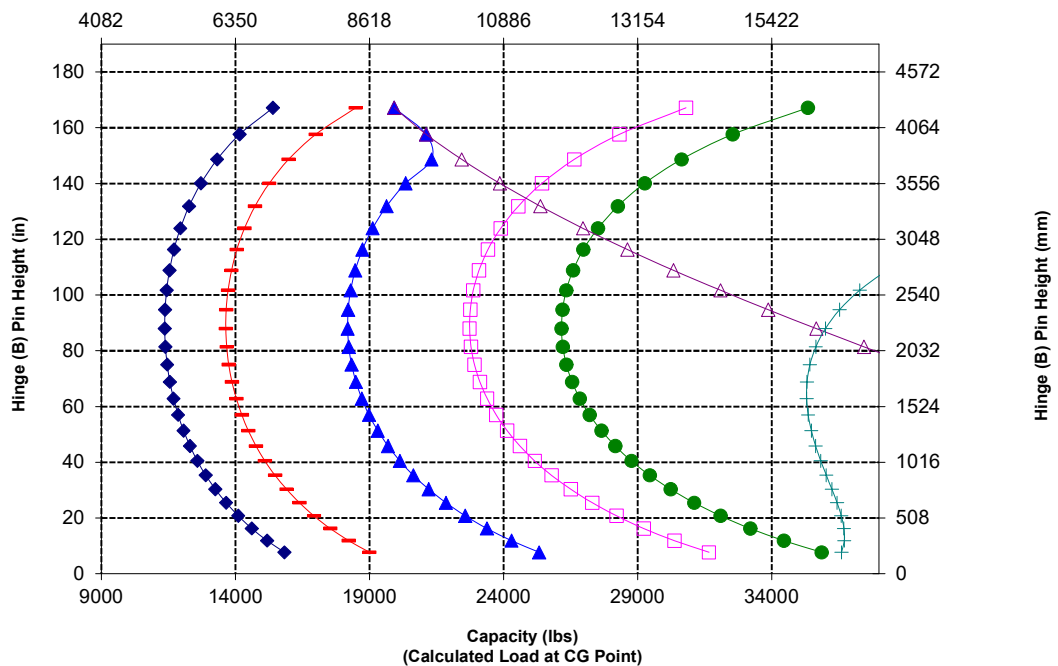
*Negative values indicate below grade

966 LOG Pipe & Pole Open Clamp, Pin-On

96" Tine
447-9939



Capacity (kg)
(Calculated Load at CG Point)



WARNING: Do not exceed tine load capacity. Individual tine capacity is stamped on the side of each tine.

Fork Specifications

Fork Specifications

| | | | |
|----|---|-----------------|---------|
| 1 | Tine length | mm | 1221 |
| | | in | 48.1 |
| 2 | Fork width | mm | 1943 |
| | | in | 76.5 |
| | End area | m ² | 3.1 |
| | | ft ² | 33 |
| 3 | Inside Height (only applies to double top clamp) | mm | 0 |
| | | in | 0 |
| 4 | Min. opening (only applies to millyard forks) | mm | 1390 |
| | | in | 55 |
| | Operating Weight | kg | 24892 |
| | | lbs | 54877 |
| 5 | Distance inside of tine tips | mm | 1402 |
| | | in | 55 |
| | Static tipping load, articulated Fork level | kg | 12221 |
| | | lbs | 26942.2 |
| | Static tipping load, straight Fork level | kg | 14033 |
| | | lbs | 30937.5 |
| 6 | Max. height of fork (w/clamp open if applicable) | mm | 3762 |
| | | in | 148.1 |
| 7 | Clearance w/full lift, 45 deg dump (if max. dump <= 45) | mm | 3086 |
| | | in | 121.5 |
| 8 | Clearance @ full lift fork level | mm | 3925 |
| | | in | 154.5 |
| 9 | Reach w/full lift, 45 deg dump (if max. dump <= 45) | mm | 1103 |
| | | in | 43.4 |
| 10 | Reach w/lift arm horizontal and fork level | mm | 2584 |
| | | in | 101.7 |
| 11 | *Ground to Bottom of Tool at Minimum Height and Tool Level | mm | -125 |
| | | in | -4.9 |
| 12 | Width over tines | mm | 1938 |
| | | in | 76.3 |
| 13 | Reach @ ground level | mm | 1934 |
| | | in | 76 |
| 14 | Max. opening across tine and clamp | mm | 3465 |
| | | in | 136.4 |
| 15 | Overall height of fork @ full lift and clamp open | mm | 7687 |
| | | in | 302.7 |
| 16 | Overall length Tip of tine to rear of machine | mm | 8810 |
| | | in | 346.9 |
| 17 | Clearance @ full lift and max. dump Discharge (if <= 45) | mm | 3088 |
| | | in | 121.6 |
| 18 | Clearance w/horizontal lift arms and fork level | mm | 1842.0 |
| | | in | 72.5 |
| 19 | Reach @ full lift and fork level | mm | 1716.2 |
| | | in | 67.6 |
| 20 | Max. discharge angle from horizontal | deg | 45 |
| | | rad | 0.8 |

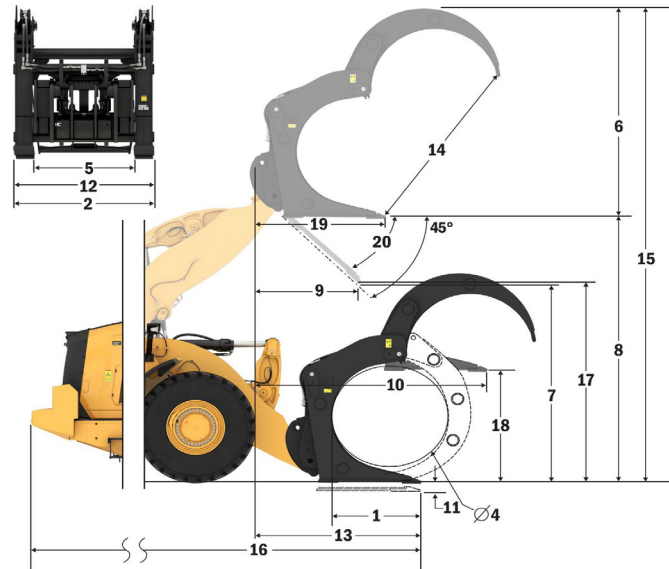
*Negative values indicate below grade

966 LOG

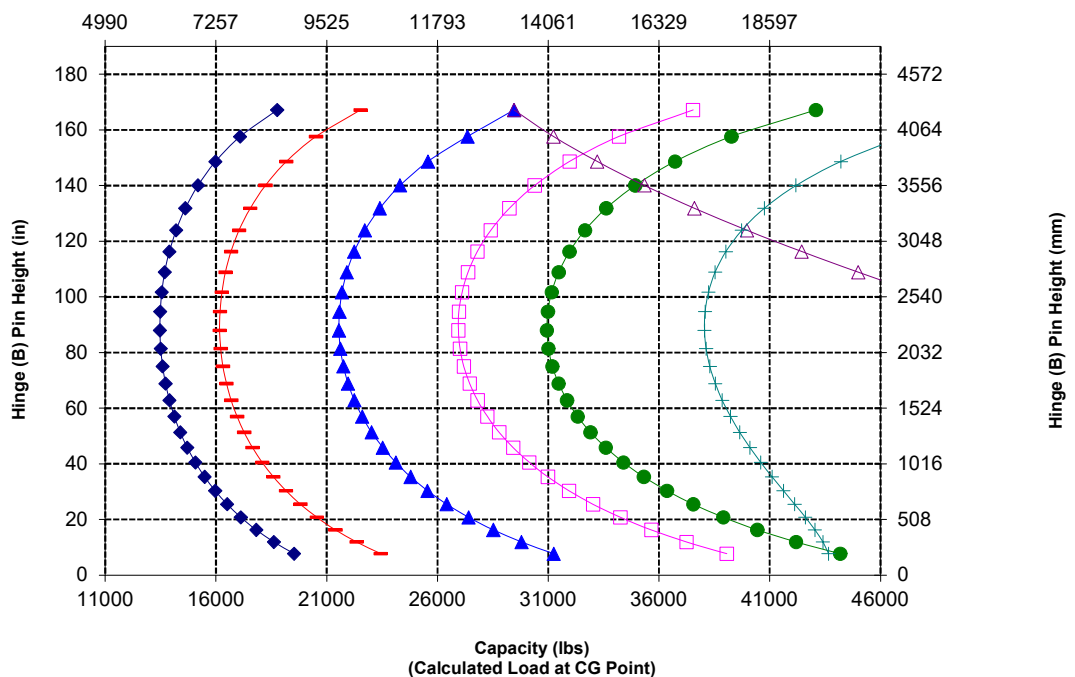
48" Tine

Grapple, Pin-On

448-9058



Capacity (kg)
(Calculated Load at CG Point)



966 Forestry Machine Specifications

Fork Specifications

Fork Specifications

| | | | |
|----|--|-----------------|---------|
| 1 | Tine length | mm | 1611 |
| | | in | 63.4 |
| 2 | Fork width | mm | 2500 |
| | | in | 98.4 |
| | End area | m ² | 1.42 |
| | | ft ² | 15 |
| 3 | Inside Height (only applies to double top clamp) | mm | 1259 |
| | | in | 50 |
| 4 | Min. opening (only applies to millyard forks) | mm | N/A |
| | | in | N/A |
| | Operating Weight | kg | 24840 |
| | | lbs | 54762 |
| 5 | Distance inside of tine tips | mm | 1892 |
| | | in | 74 |
| | Static tipping load, articulated Fork level | kg | 13809 |
| | | lbs | 30443.1 |
| | Static tipping load, straight Fork level | kg | 15820 |
| | | lbs | 34876.0 |
| 6 | Max. height of fork (w/clamp open if applicable) | mm | 2700 |
| | | in | 106.3 |
| 7 | Clearance w/full lift, 45 deg dump (if max. dump <=> 45) | mm | 2857 |
| | | in | 112.5 |
| 8 | Clearance @ full lift fork level | mm | 3981 |
| | | in | 156.7 |
| 9 | Reach w/full lift, 45 deg dump (if max. dump <=> 45) | mm | 1410 |
| | | in | 55.5 |
| 10 | Reach w/lift arm horizontal and fork level | mm | 2962 |
| | | in | 116.6 |
| 11 | *Ground to Bottom of Tool at Minimum Height and Tool Level | mm | -69 |
| | | in | -2.7 |
| 12 | Width over tines | mm | 2414 |
| | | in | 95.0 |
| 13 | Reach @ ground level | mm | 2267 |
| | | in | 89 |
| 14 | Max. opening across tine and clamp | mm | 2493 |
| | | in | 98.1 |
| 15 | Overall height of fork @ full lift and clamp open | mm | 6680 |
| | | in | 263.0 |
| 16 | Overall length Tip of tine to rear of machine | mm | 9143 |
| | | in | 360.0 |
| 17 | Clearance @ full lift and max. dump Discharge (if <=> 45) | mm | 2861 |
| | | in | 112.6 |
| 18 | Clearance w/horizontal lift arms and fork level | mm | 1897.5 |
| | | in | 74.7 |
| 19 | Reach @ full lift and fork level | mm | 2094.8 |
| | | in | 82.5 |
| 20 | Max. discharge angle from horizontal | deg | 45 |
| | | rad | 0.8 |

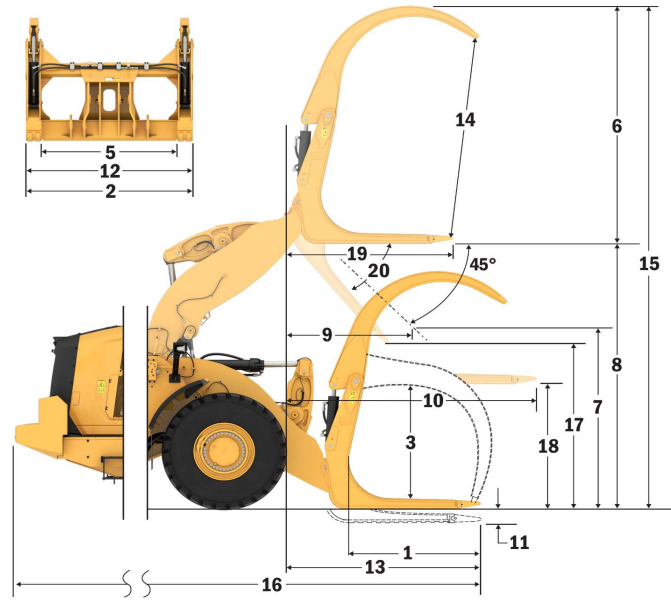
*Negative values indicate below grade

966 LOG

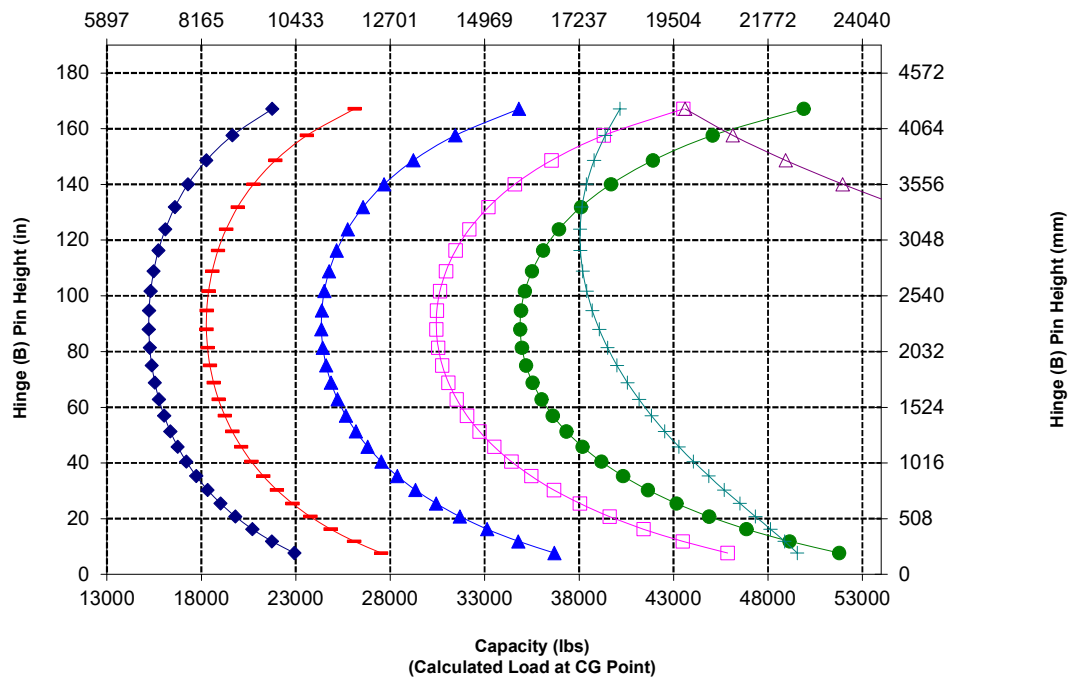
Logging Fork, Pin-On

63" Tine

472-1174



Capacity (kg) (Calculated Load at CG Point)



966 Forestry Machine Specifications

Fork Specifications

Fork Specifications

| | | | |
|----|---|-----------------|---------|
| 1 | Tine length | mm | 1611 |
| | | in | 63.4 |
| 2 | Fork width | mm | 2500 |
| | | in | 98.4 |
| | End area | m ² | 1.42 |
| | | ft ² | 15 |
| 3 | Inside Height (only applies to double top clamp) | mm | 1259 |
| | | in | 50 |
| 4 | Min. opening (only applies to millyard forks) | mm | N/A |
| | | in | N/A |
| | Operating Weight | kg | 25114 |
| | | lbs | 55367 |
| 5 | Distance inside of tine tips | mm | 1892 |
| | | in | 74 |
| | Static tipping load, articulated Fork level | kg | 13562 |
| | | lbs | 29899.3 |
| | Static tipping load, straight Fork level | kg | 15573 |
| | | lbs | 34332.4 |
| 6 | Max. height of fork (w/clamp open if applicable) | mm | 2700 |
| | | in | 106.3 |
| 7 | Clearance w/full lift, 45 deg dump (if max. dump <= 45) | mm | 2857 |
| | | in | 112.5 |
| 8 | Clearance @ full lift fork level | mm | 3981 |
| | | in | 156.7 |
| 9 | Reach w/full lift, 45 deg dump (if max. dump <= 45) | mm | 1410 |
| | | in | 55.5 |
| 10 | Reach w/lift arm horizontal and fork level | mm | 2962 |
| | | in | 116.6 |
| 11 | *Ground to Bottom of Tool at Minimum Height and Tool Level | mm | -69 |
| | | in | -2.7 |
| 12 | Width over tines | mm | 2414 |
| | | in | 95.0 |
| 13 | Reach @ ground level | mm | 2267 |
| | | in | 89 |
| 14 | Max. opening across tine and clamp | mm | 2493 |
| | | in | 98.1 |
| 15 | Overall height of fork @ full lift and clamp open | mm | 6680 |
| | | in | 263.0 |
| 16 | Overall length Tip of tine to rear of machine | mm | 9143 |
| | | in | 360.0 |
| 17 | Clearance @ full lift and max. dump Discharge (if <= 45) | mm | 2861 |
| | | in | 112.6 |
| 18 | Clearance w/horizontal lift arms and fork level | mm | 1897.5 |
| | | in | 74.7 |
| 19 | Reach @ full lift and fork level | mm | 2094.8 |
| | | in | 82.5 |
| 20 | Max. discharge angle from horizontal | deg | 45 |
| | | rad | 0.8 |

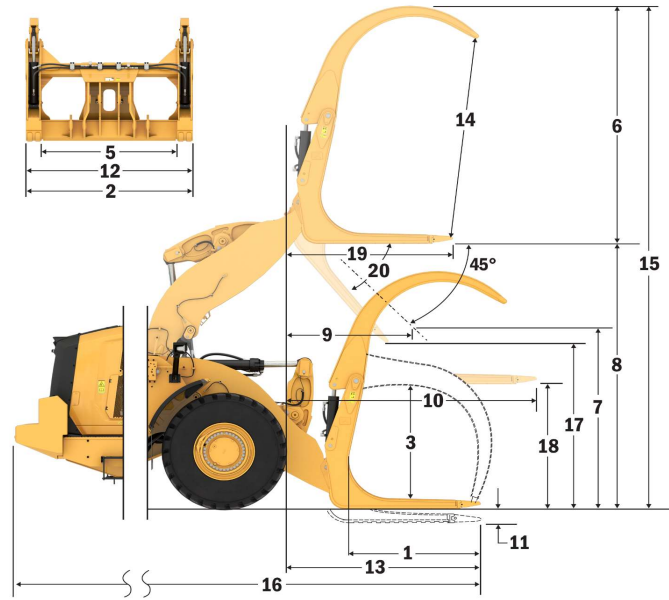
*Negative values indicate below grade

966 LOG

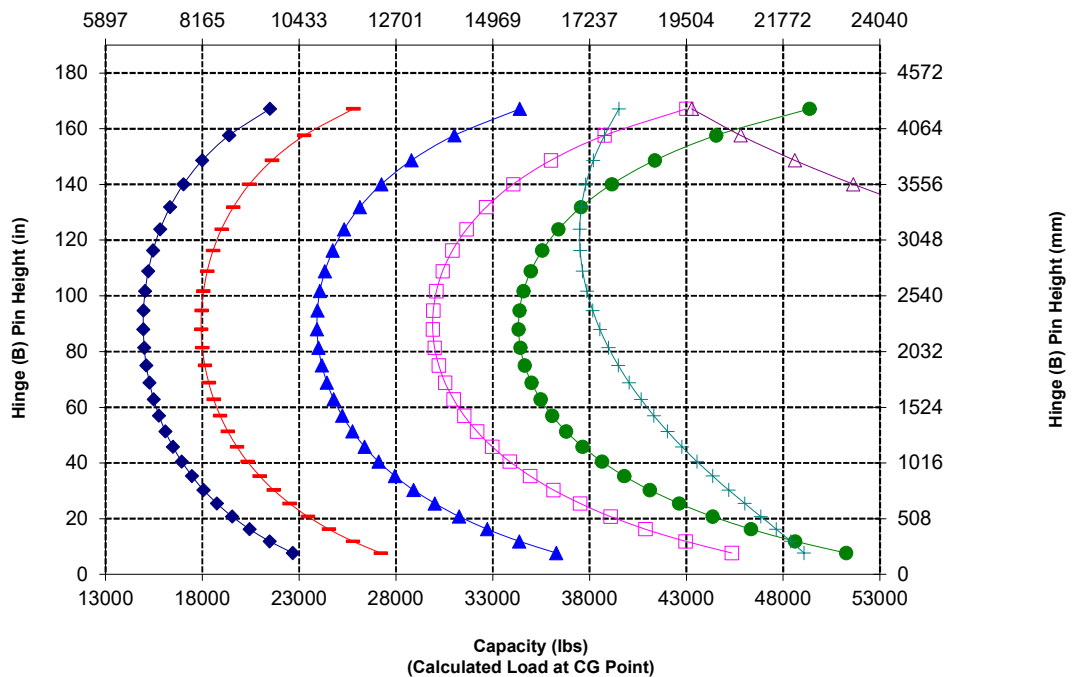
Logging Fork, Pin-On

63" Tine

472-4662



Capacity (kg)
(Calculated Load at CG Point)



Fork Specifications

Fork Specifications

| | | | |
|----|---|-----------------|---------|
| 1 | Tine length | mm | 1611 |
| | | in | 63.4 |
| 2 | Fork width | mm | 2508 |
| | | in | 98.8 |
| | End area | m ² | 1.59 |
| | | ft ² | 17 |
| 3 | Inside Height (only applies to double top clamp) | mm | 0 |
| | | in | 0 |
| 4 | Min. opening (only applies to millyard forks) | mm | 662 |
| | | in | 26 |
| | Operating Weight | kg | 25144 |
| | | lbs | 55433 |
| 5 | Distance inside of tine tips | mm | 1907 |
| | | in | 75 |
| | Static tipping load, articulated Fork level | kg | 13212 |
| | | lbs | 29126.4 |
| | Static tipping load, straight Fork level | kg | 15193 |
| | | lbs | 33495.2 |
| 6 | Max. height of fork (w/clamp open if applicable) | mm | 2805 |
| | | in | 110.4 |
| 7 | Clearance w/full lift, 45 deg dump (if max. dump <= 45) | mm | 2857 |
| | | in | 112.5 |
| 8 | Clearance @ full lift fork level | mm | 3981 |
| | | in | 156.7 |
| 9 | Reach w/full lift, 45 deg dump (if max. dump <= 45) | mm | 1410 |
| | | in | 55.5 |
| 10 | Reach w/lift arm horizontal and fork level | mm | 2962 |
| | | in | 116.6 |
| 11 | *Ground to Bottom of Tool at Minimum Height and Tool Level | mm | -69 |
| | | in | -2.7 |
| 12 | Width over tines | mm | 2413 |
| | | in | 95.0 |
| 13 | Reach @ ground level | mm | 2267 |
| | | in | 89 |
| 14 | Max. opening across tine and clamp | mm | 2727 |
| | | in | 107.4 |
| 15 | Overall height of fork @ full lift and clamp open | mm | 6786 |
| | | in | 267.2 |
| 16 | Overall length Tip of tine to rear of machine | mm | 9143 |
| | | in | 360.0 |
| 17 | Clearance @ full lift and max. dump Discharge (if <= 45) | mm | 2861 |
| | | in | 112.6 |
| 18 | Clearance w/horizontal lift arms and fork level | mm | 1897.8 |
| | | in | 74.7 |
| 19 | Reach @ full lift and fork level | mm | 2095.0 |
| | | in | 82.5 |
| 20 | Max. discharge angle from horizontal | deg | 45 |
| | | rad | 0.8 |

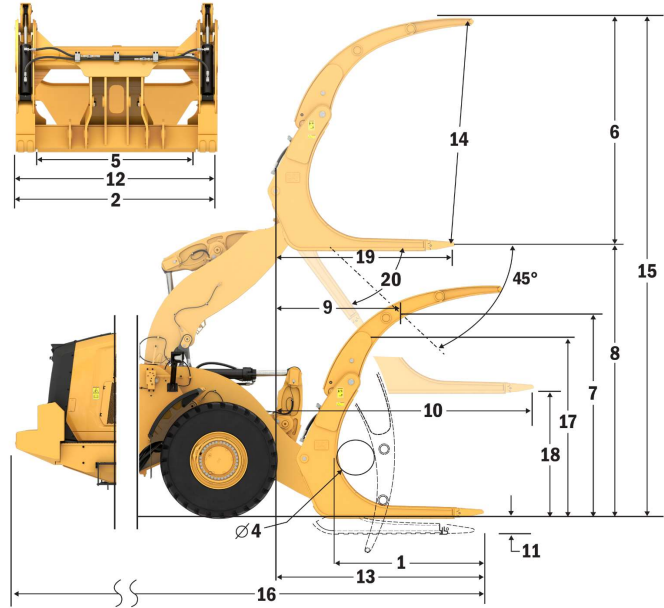
*Negative values indicate below grade

966 LOG

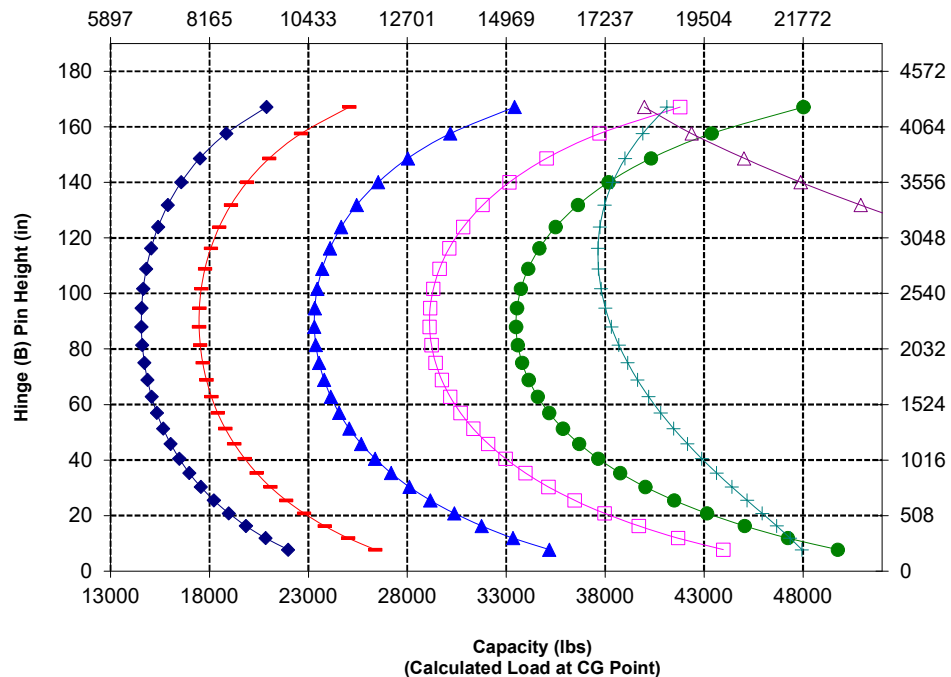
Millyard Fork, Pin-On

63" Tine

506-1946



Capacity (kg)
(Calculated Load at CG Point)



NOTE: Static tipping loads and operating weight are based on the following loader configuration: Bridgestone V.J.T L3 Tires, Air Conditioning, Ride Control, Powertrain Guard, Full Fluids, Fuel Tank, Coolant, Lubricants, and Operator.

Specifications and ratings conform to the following standards: SAE* J1197, ISO 14397-1, CEN** EN 474-3.

The rated operating load for a loader equipped with a pallet fork is determined by:
SAE J1197: 50% of full turn static tipping load or hydraulic limit.
CEN EN 474-3: 60% of full turn static tipping load on rough terrain or hydraulic limit.
CEN EN 474-3: 80% of full turn static tipping load on firm and level ground or hydraulic limit.

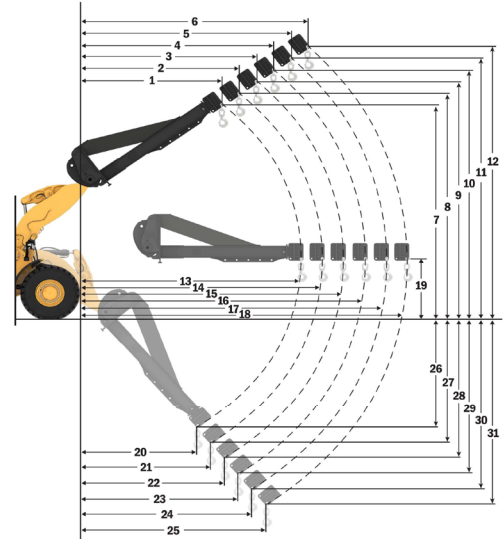
*SAE - Society of Automotive Engineers
**CEN - European Committee for Standardization

966 Forestry Machine Specifications

Material Handling Arm Specifications

966 LOG Fusion Material Handling Arm 6Pos

| MHA Specifications | Retracted | Extension 1 | Extension 2 | Extension 3 | Extension 4 | Extended |
|---|-----------------------------|--------------------|--------------------|---------------------|---------------------|--------------------|
| Max Lift - Hook Reach (1, 2, 3, 4, 5, 6) | mm 1,823 ft, in 5' 11" | 1,936 6' 4" | 2,049 6' 8" | 2,162 7' 1" | 2,275 7' 5" | 2,388 7' 10" |
| Max Lift - Hook Height (7, 8, 9, 10, 11, 12) | mm 7,218 ft, in 23' 8" | 7,501 24' 7" | 7,784 25' 6" | 8,067 26' 5" | 8,350 27' 4" | 8,633 28' 3" |
| Level - Hook Reach (13, 14, 15, 16, 17, 18) | mm 4,553 ft, in 14' 11" | 4,858 15' 11" | 5,162 16' 11" | 5,467 17' 11" | 5,772 18' 11" | 6,077 19' 11" |
| Level - Hook Height (19) | mm 1,937 ft, in 6' 4.2" | 1,937 6' 4.2" | 1,937 6' 4.2" | 1,937 6' 4.2" | 1,937 6' 4.2" | 1,937 6' 4.2" |
| Min Lift - Hook Reach (20, 21, 22, 23, 24, 25) | mm 1,720 ft, in 5' 7" | 1,852 6' 0" | 1,983 6' 6" | 2,114 6' 11" | 2,245 7' 4" | 2,377 7' 9" |
| Min Lift - Hook Height (26, 27, 28, 29, 30, 31) | mm (2,871) ft, in -9' 6" | (3,146) -10' 8" | (3,421) -11' 9" | (3,696) -12' 10" | (3,971) -13' 11" | (4,246) -13' 0" |
| Static Tipping Load, Straight | kg 9,131 lb 20,125 | 8,641 19,045 | 8,200 18,073 | 7,801 17,193 | 7,438 16,394 | 7,107 15,663 |
| Static Tipping Load, Articulated | kg 8,060 lb 17,765 | 7,627 16,810 | 7,237 15,951 | 6,885 15,174 | 6,564 14,467 | 6,271 13,821 |
| Operating Weight | kg 23,488 lb 51,767 | 23,488 51,767 | 23,488 51,767 | 23,488 51,767 | 23,488 51,767 | 23,488 51,767 |



Payload Capacity (kg)
(Calculated Load at CG Point)

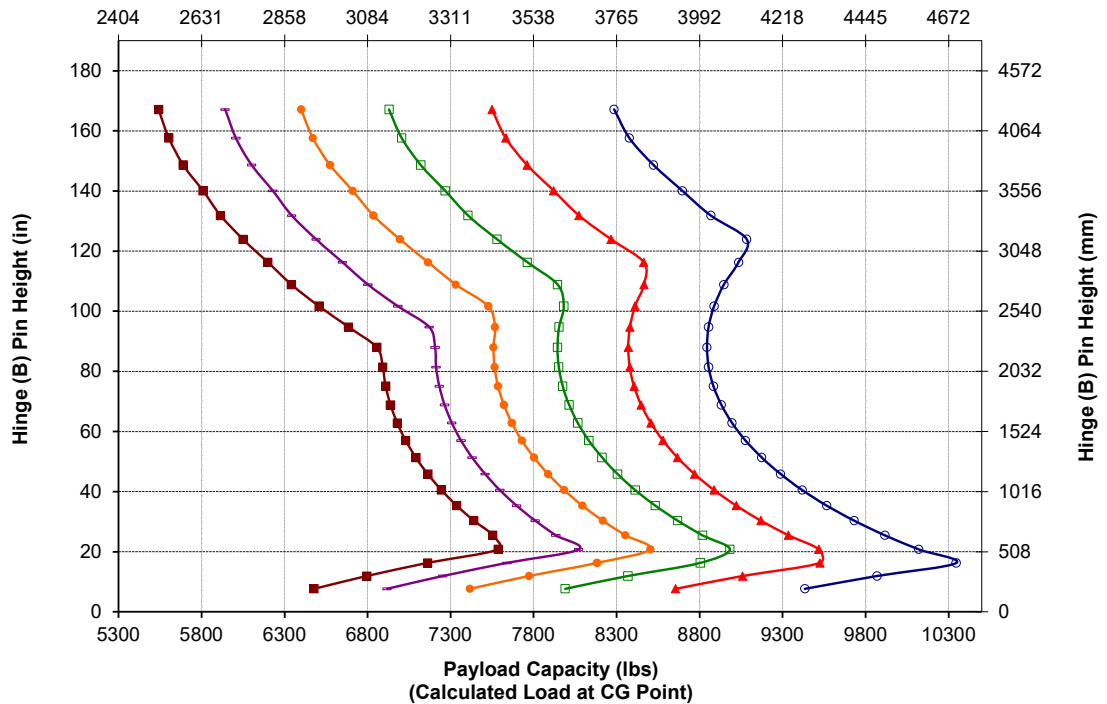
- Retracted
- Extension 1
- Extension 2
- Extension 3
- Extension 4
- Extended

NOTE: Static tipping loads and operating weight are based on the following loader configuration: Bridgestone VJT L3 Tires, Air Conditioning, Ride Control, Powertrain Guard, Full Fluids, Fuel Tank, Coolant, Lubricants, and Operator.

Specifications and ratings conform to the following standards: SAE* J1197, ISO 14397-1

The rated operating load for a loader equipped with a material handling arm is determined by: SAE J1197: 50% of full turn static tipping load or hydraulic limit.

*SAE - Society of Automotive Engineers





966

Corrosion Resistant

The Cat 966 Wheel Loader Corrosion Resistant Package adds real value in protecting your machine investment. An industry-unique factory treatment provides more protection for all machine components that can be affected by corrosive materials. It's designed for improving reliability and durability in demanding corrosive environments such as fertilizer plants, chemical industries, agriculture, saltwater ports, and others.

Proven Reliability

- Cat C9.3B engine offers high power density with a combination of proven electronics, fuel, and air systems.
- Features an electric fuel priming pump, fuel-water separator, and secondary filtration system.
- Thorough component design and machine validation processes result in unmatched reliability and uptime.

Durability

- Corrosion Resistant package includes silicon protection applied to all electrical terminals: alternator, engine starter, engine ground cable, and battery cables to maximize component life.
- Exposed electrical connectors are treated with shrinkable heat tube.
- Heavy-duty brushless alternator is utilized for increased durability.
- Optional paint protection that is more than two times the thickness of the standard paint. Extra primer coats are applied before the final polyurethane topcoat.

Superior Fuel Efficiency & Productivity

- Powershift transmission with lock-up clutch increases fuel efficiency while delivering optimal performance.
- Single clutch and lock-to-lock shifting for faster acceleration and speed on grades.
- Automatic idle engine shutdown system significantly reduces idle time, overall operating hours, and fuel consumption.
- Deeply integrated engine, power train, and hydraulic systems deliver unmatched productivity and fuel efficiency.

Safety Features

- Rear-vision camera enhances visibility behind the machine, helping you work safely and confidently.
- Cab access with wide door, optional remote door opening, and stair-like steps add solid stability.
- Floor-to-ceiling windshield, large mirrors with integrated spot mirrors, and rear-vision camera provide industry leading all-around visibility.

Reduced Maintenance Time and Costs

- Extended fluid and filter change intervals reduce maintenance costs by up to 15%.
- Remote Troubleshoot can connect the machine to the dealer service department to help diagnose problems quickly so you can get back to work.
- Remote Flash works around your schedule to ensure your machine's software is up to date for optimal performance.
- The Cat App helps you manage fleet location, hours, and maintenance schedules; it also alerts you for required maintenance and allows you to request service from your local Cat dealer.
- One-piece tilting hood makes engine compartment access fast and easy.

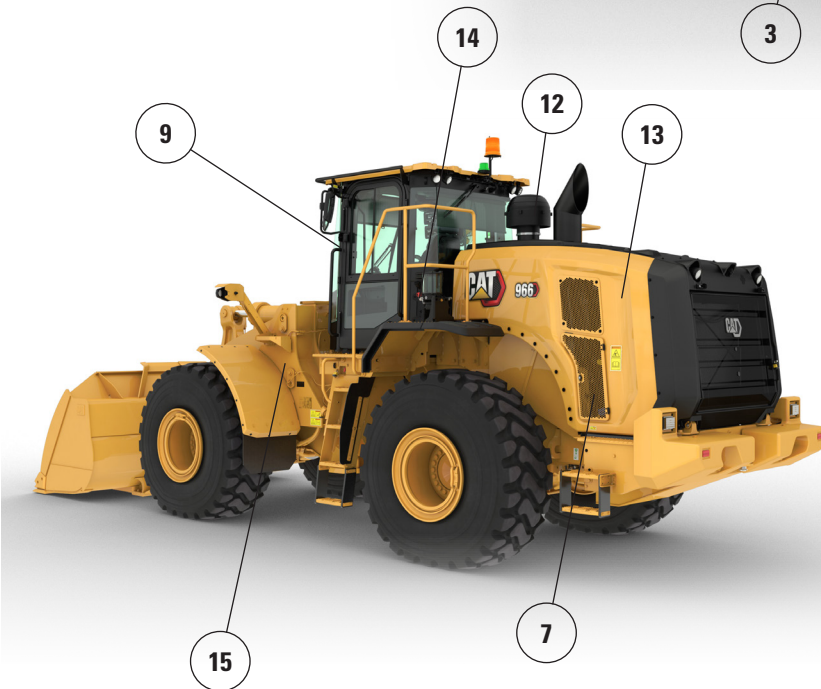
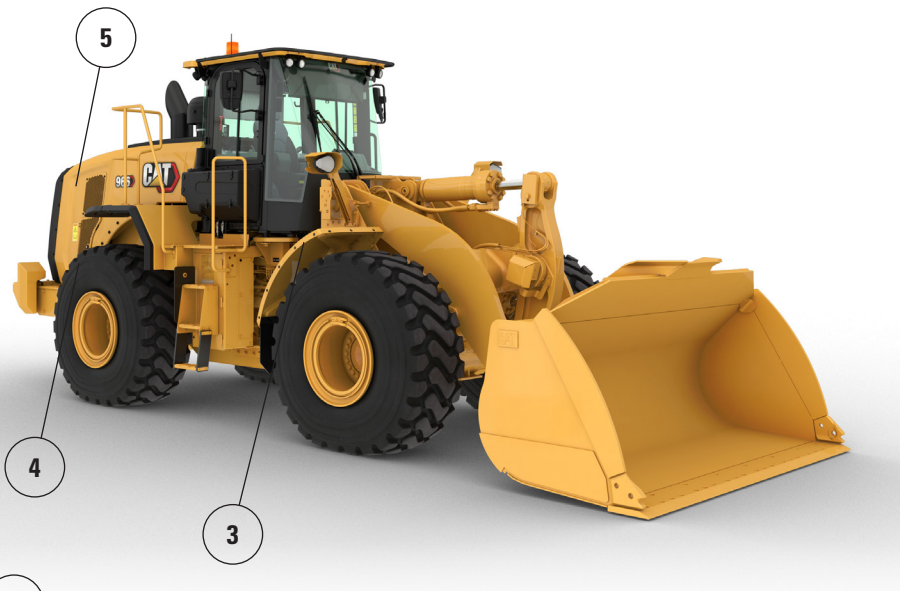
Work in Comfort in the All New Cab

- Optional powered cabin precleaner filters the incoming air and pressurize the cab.
- Next-generation, easily adjustable seat and suspension for improved operator comfort. It comes in three trim levels and can be equipped with a 4-point harness.
- New in-cab dashboard and high-resolution touch display(s) are easy to use, intuitive, and user friendly.
- Sound suppression, seals, and viscous cab mounts decrease noise and vibration for a quieter work environment.
- HMU steering wheel offers low-effort and precise machine steering. The optional seat-mounted electro-hydraulic joystick steering system provides precision control and dramatically reduces arm fatigue, resulting in excellent comfort and accuracy.

966 Corrosion Resistant Specifications

966 Corrosion Resistant Features

1. Silicon protection applied to all electric terminals
2. Shrinkable heat-tube on exposed electrical connectors
3. Zerust vapor capsules in electrical compartments
4. Grease points on hood articulation pins
5. Optional corrosion resistant cooling package: E-coated cooling cores, heavy-duty latch, and greaseable hinges
6. Optional hydraulic system protection that includes silicone sealant and heat shrinkable tubing over the couplings



7. Heavy-duty brushless alternator
8. Sealed disconnect switch
9. Grease points on the cab door hinges
10. Additional coats of paint. Extra primer coats are applied before the final polyurethane topcoat
11. Varnish protection applied to under hood components
12. Optional turbine precleaner
13. Optional variable pitch fan
14. Optional autolube system
15. Anti-corrosion transmission fill cover

Note: For machine performance data please refer to page 7.



For more complete information on Cat products, dealer services, and industry solutions, visit us on the web at www.cat.com.

Materials and specifications are subject to change without notice. Featured machines in photos may include additional equipment. See your Cat dealer for available options.

© 2022 Caterpillar. All Rights Reserved. CAT, CATERPILLAR, LET'S DO THE WORK, their respective logos, Product Link, Fusion, "Caterpillar Corporate Yellow", the "Power Edge" and Cat "Modern Hex" trade dress as well as corporate and product identity used herein, are trademarks of Caterpillar and may not be used without permission.

AEXQ3309-00 (3-2022)
Build Number: 14A
(Afr-ME, CIS, Aus-NZ,
S Am, SE Asia, China, India,
Indonesia, Turkey)

