



# 340

## Hydraulic Excavator

# Technical Specifications

Configurations and features may vary by region. Please consult your Cat® dealer for availability in your area.

### Table of Contents

<b>Specifications</b> .....	<b>2</b>
Engine .....	2
Swing Mechanism .....	2
Weights .....	2
Track .....	2
Drive .....	2
Hydraulic System .....	2
Service Refill Capacities .....	2
Standards .....	2
Sound Performance .....	3
Air Conditioning System .....	3
Operating Weights and Ground Pressures .....	3
Major Component Weights .....	7
Dimensions .....	9
Working Ranges and Forces .....	13
Bucket Specifications and Compatibility .....	17
Attachments Offering Guide .....	19
<b>Standard and Optional Equipment</b> .....	<b>22</b>
<b>Dealer Installed Kits and Attachments</b> .....	<b>23</b>
<b>Cab Options</b> .....	<b>24</b>
<b>340 Environmental Declaration</b> .....	<b>25</b>



オフロード法2014年  
基準適合

# 340 Hydraulic Excavator Specifications

## Engine

Engine Model	Cat® C9.3B	
Net Power		
ISO 9249	258.3 kW	346 hp
ISO 9249 (DIN)	351 hp (metric)	
Engine Power		
ISO 14396	259.0 kW	347 hp
ISO 14396 (DIN)	352 hp (metric)	
Bore	115 mm	5 in
Stroke	149 mm	6 in
Displacement	9.3 L	568 in <sup>3</sup>

- Meets U.S. EPA Tier 4 Final, EU Stage V, and Japan 2014 emission standards.
- Recommended for use up to 4500 m (14,760 ft) altitude with engine power derate above 3000 m (9,840 ft).
- Advertised power is tested per the specified standard in effect at the time of manufacture.
- Net power is the power available at the flywheel when the engine is equipped with fan at minimum speed, air intake system, exhaust system, and alternator with engine speed at 1,900 rpm.
- All Cat nonroad U.S. EPA Tier 4 Final, EU Stage V, Japan 2014, Korea Stage V, India CEV Stage V, and China Nonroad Stage IV diesel engines are required to use ULSD (ultra-low sulfur diesel with 15 ppm of sulfur or less) or ULSD blended with the following lower-carbon intensity fuels\*\* up to:
  - ✓ 20% biodiesel FAME (fatty acid methyl ester)\*
  - ✓ 100% renewable diesel, HVO (hydrotreated vegetable oil) and GTL (gas-to-liquid) fuels

Refer to guidelines for successful application. Please consult your Cat dealer or “Caterpillar Machine Fluids Recommendations” (SEBU6250) for details.

*\*Engines with no aftertreatment devices can use higher blends, up to 100% biodiesel.*

*\*\*Tailpipe greenhouse gas emissions from lower-carbon intensity fuels are essentially the same as traditional fuels.*

## Swing Mechanism

Swing Speed	8.84 rpm	
Maximum Swing Torque	143 kN·m	105,214 lbf·ft

## Weights

Operating Weight	35 700 kg	78,800 lb
------------------	-----------	-----------

- Long Undercarriage, Reach Boom, R3.2DB (10'6") Stick, GDX 1.50 m<sup>3</sup> (1.96 yd<sup>3</sup>) Bucket, 700 mm (28") Triple Grouser Shoes, 6.8 mt (15,000 lb) Counterweight.

## Track

Optional Track Shoes Width	600 mm	24 in
Optional Track Shoes Width	700 mm	28 in
Optional Track Shoes Width	800 mm	31 in
Number of Shoes (each side)	49	
Number of Track Rollers (each side)	8	
Number of Carrier Rollers (each side)	2	

## Drive

Maximum Gradeability	35°/70%	
Maximum Travel Speed	4.7 km/h	2.9 mph
Maximum Drawbar Pull	302.3 kN	67,960 lbf

## Hydraulic System

Main System – Maximum Flow – Implement	560 L/min (280 × 2 pumps)	148 gal/min (74 × 2 pumps)
Maximum Pressure – Equipment – Implement	35 000 kPa	5,076 psi
Maximum Pressure – Equipment – Lift Mode	38 000 kPa	5,511 psi
Maximum Pressure – Travel	35 000 kPa	5,076 psi
Maximum Pressure – Swing	29 400 kPa	4,264 psi
Boom Cylinder – Bore	150 mm	6 in
Boom Cylinder – Stroke	1440 mm	57 in
Stick Cylinder – Bore	170 mm	7 in
Stick Cylinder – Stroke	1738 mm	68 in
DB Bucket Cylinder – Bore	150 mm	6 in
DB Bucket Cylinder – Stroke	1151 mm	45 in
TB Bucket Cylinder – Bore	160 mm	6 in
TB Bucket Cylinder – Stroke	1356 mm	53 in

## Service Refill Capacities

Fuel Tank Capacity	600 L	158.5 gal
Cooling System	40 L	10.5 gal
Engine Oil (with filter)	32 L	8.5 gal
Swing Drive	18 L	4.8 gal
Final Drive (each)	8 L	2.1 gal
Hydraulic System (including tank)	373 L	98.5 gal
Hydraulic Tank (including suction pipe)	161 L	42.5 gal
Diesel Exhaust Fluid (DEF) Tank	80 L	21.1 gal

## Standards

Brakes	ISO 10265:2008
Cab/Operator Protective Guards (OPG) (optional)	ISO 10262:1998 Level II
Cab/Rollover Protective Structure (ROPS)	ISO 12117-2:2008

# 340 Hydraulic Excavator Specifications

## Sound Performance

ISO 6395:2008 (external) 106 dB(A)

ISO 6396:2008 (inside cab) 73 dB(A)

- Hearing protection may be needed when operating with an open operator station and cab (when not properly maintained or doors/windows open) for extended periods or in a noisy environment.

## Air Conditioning System

The air conditioning system on this machine contains the fluorinated greenhouse gas refrigerant R134a (Global Warming Potential = 1430). The system contains 1.00 kg of refrigerant which has a CO<sub>2</sub> equivalent of 1.430 metric tonne.

## Operating Weights and Ground Pressures

	600 mm (24") Double Grouser Shoes		700 mm (28") Triple Grouser Shoes		800 mm (31") Triple Grouser Shoes		800 mm (31") Triple Grouser Shoes HD	
	Weight kg (lb)	Ground Pressure kPa (psi)	Weight kg (lb)	Ground Pressure kPa (psi)	Weight kg (lb)	Ground Pressure kPa (psi)	Weight kg (lb)	Ground Pressure kPa (psi)
<b>Base Machine Configurations</b>								
<b>Base Frame with HD Track Rollers and Carrier Rollers for Long Wide Undercarriage</b>								
<b>6.8 mt (15,000 lb) Counterweight + Long Wide Undercarriage Base Machine + Reach Boom</b>								
R3.9 m (12'10") DB Stick + 1.50 m <sup>3</sup> (1.96 yd <sup>3</sup> ) GDX Bucket	36 500 (80,500)	68.0 (9.9)	36 100 (79,600)	57.6 (8.4)	36 700 (81,000)	51.3 (7.4)	37 300 (82,300)	52.2 (7.6)
R3.2 m (10'6") DB Stick + 1.50 m <sup>3</sup> (1.96 yd <sup>3</sup> ) GDX Bucket	36 300 (80,100)	67.7 (9.8)	35 900 (79,200)	57.3 (8.3)	36 600 (80,600)	51.1 (7.4)	37 200 (81,900)	51.9 (7.5)
R2.8 m (9'2") DB Stick + 1.50 m <sup>3</sup> (1.96 yd <sup>3</sup> ) GDX Bucket	36 200 (79,800)	67.5 (9.8)	35 800 (78,900)	57.2 (8.3)	36 500 (80,400)	50.9 (7.4)	37 100 (81,700)	51.8 (7.5)
<b>6.8 mt (15,000 lb) Counterweight + Long Wide Undercarriage Base Machine + Mass Boom</b>								
M2.55 m (8'4") TB Stick + 1.90 m <sup>3</sup> (2.48 yd <sup>3</sup> ) GDX Bucket	37 500 (82,700)	69.9 (10.1)	37 100 (81,800)	59.2 (8.6)	37 800 (83,200)	52.7 (7.7)	38 400 (84,600)	53.6 (7.8)
<b>7.56 mt (16,700 lb) Counterweight + Long Wide Undercarriage Base Machine + Reach Boom</b>								
R3.9 m (12'10") DB Stick + 1.50 m <sup>3</sup> (1.96 yd <sup>3</sup> ) GDX Bucket	37 400 (82,400)	69.6 (10.1)	36 900 (81,500)	59.0 (8.6)	37 600 (82,900)	52.5 (7.6)	38 200 (84,200)	53.4 (7.7)
R3.2 m (10'6") DB Stick + 1.50 m <sup>3</sup> (1.96 yd <sup>3</sup> ) GDX Bucket	37 200 (82,000)	69.3 (10.0)	36 800 (81,100)	58.7 (8.5)	37 400 (82,500)	52.3 (7.6)	38 000 (83,800)	53.1 (7.7)
R2.8 m (9'2") DB Stick + 1.50 m <sup>3</sup> (1.96 yd <sup>3</sup> ) GDX Bucket	37 100 (81,700)	69.1 (10.0)	36 700 (80,800)	58.5 (8.5)	37 300 (82,300)	52.1 (7.6)	37 900 (83,600)	53.0 (7.7)
<b>7.56 mt (16,700 lb) Counterweight + Long Wide Undercarriage Base Machine + Mass Boom</b>								
M2.55 m (8'4") TB Stick + 1.90 m <sup>3</sup> (2.48 yd <sup>3</sup> ) GDX Bucket	38 400 (84,600)	71.5 (10.4)	38 000 (83,700)	60.6 (8.8)	38 600 (85,100)	53.9 (7.8)	39 200 (86,400)	54.8 (7.9)
<b>7.56 mt (16,700 lb) Counterweight + Long Wide Undercarriage Base Machine + HD Reach Boom</b>								
HD R3.9 m (12'10") DB Stick + 1.50 m <sup>3</sup> (1.96 yd <sup>3</sup> ) GDX Bucket	37 600 (82,900)	70.0 (10.2)	37 200 (82,000)	59.4 (8.6)	37 800 (83,400)	52.9 (7.7)	38 400 (84,800)	53.7 (7.8)
HD R3.2 m (10'6") DB Stick + 1.50 m <sup>3</sup> (1.96 yd <sup>3</sup> ) GDX Bucket	37 400 (82,500)	69.7 (10.1)	37 000 (81,600)	59.1 (8.6)	37 700 (83,100)	52.6 (7.6)	38 300 (84,400)	53.5 (7.8)
HD R2.8 m (9'2") DB Stick + 1.50 m <sup>3</sup> (1.96 yd <sup>3</sup> ) GDX Bucket	37 300 (82,300)	69.5 (10.1)	36 900 (81,400)	58.9 (8.5)	37 600 (82,800)	52.5 (7.6)	38 200 (84,100)	53.3 (7.7)

All operating weights include a 90% fuel tank with 75 kg (165 lb) operator.

(continued on next page)

# 340 Hydraulic Excavator Specifications

## Operating Weights and Ground Pressures *(continued)*

Base Machine Configurations	600 mm (24") Double Grouser Shoes		700 mm (28") Triple Grouser Shoes		800 mm (31") Triple Grouser Shoes		800 mm (31") Triple Grouser Shoes HD	
	Weight	Ground Pressure	Weight	Ground Pressure	Weight	Ground Pressure	Weight	Ground Pressure
	kg (lb)	kPa (psi)	kg (lb)	kPa (psi)	kg (lb)	kPa (psi)	kg (lb)	kPa (psi)
<b>Base Frame with DF Track Rollers and Carrier Rollers for Long Wide Undercarriage</b>								
<b>6.8 mt (15,000 lb) Counterweight + Long Wide Undercarriage Base Machine + Reach Boom</b>								
R3.9 m (12'10") DB Stick + 1.50 m <sup>3</sup> (1.96 yd <sup>3</sup> ) GDX Bucket	36 600 (80,700)	68.2 (9.9)	36 200 (79,900)	57.8 (8.4)	36 900 (81,300)	51.5 (7.5)	37 500 (82,600)	52.3 (7.6)
R3.2 m (10'6") DB Stick + 1.50 m <sup>3</sup> (1.96 yd <sup>3</sup> ) GDX Bucket	36 500 (80,400)	67.9 (9.8)	36 000 (79,500)	57.5 (8.3)	36 700 (80,900)	51.3 (7.4)	37 300 (82,200)	52.1 (7.6)
R2.8 m (9'2") DB Stick + 1.50 m <sup>3</sup> (1.96 yd <sup>3</sup> ) GDX Bucket	36 300 (80,100)	67.7 (9.8)	35 900 (79,200)	57.4 (8.3)	36 600 (80,700)	51.1 (7.4)	37 200 (82,000)	52.0 (7.5)
<b>6.8 mt (15,000 lb) Counterweight + Long Wide Undercarriage Base Machine + Mass Boom</b>								
M2.55 m (8'4") TB Stick + 1.90 m <sup>3</sup> (2.48 yd <sup>3</sup> ) GDX Bucket	37 600 (83,000)	70.1 (10.2)	37 200 (82,100)	59.5 (8.6)	37 900 (83,500)	52.9 (7.7)	38 500 (84,800)	53.8 (7.8)
<b>7.56 mt (16,700 lb) Counterweight + Long Wide Undercarriage Base Machine + Reach Boom</b>								
R3.9 m (12'10") DB Stick + 1.50 m <sup>3</sup> (1.96 yd <sup>3</sup> ) GDX Bucket	37 500 (82,600)	69.8 (10.1)	37 100 (81,700)	59.2 (8.6)	37 700 (83,200)	52.7 (7.6)	38 300 (84,500)	53.5 (7.8)
R3.2 m (10'6") DB Stick + 1.50 m <sup>3</sup> (1.96 yd <sup>3</sup> ) GDX Bucket	37 300 (82,300)	69.5 (10.1)	36 900 (81,400)	58.9 (8.5)	37 600 (82,800)	52.5 (7.6)	38 200 (84,100)	53.3 (7.7)
R2.8 m (9'2") DB Stick + 1.50 m <sup>3</sup> (1.96 yd <sup>3</sup> ) GDX Bucket	37 200 (82,000)	69.3 (10.1)	36 800 (81,100)	58.8 (8.5)	37 400 (82,600)	52.3 (7.6)	38 000 (83,900)	53.2 (7.7)
<b>7.56 mt (16,700 lb) Counterweight + Long Wide Undercarriage Base Machine + Mass Boom</b>								
M2.55 m (8'4") TB Stick + 1.90 m <sup>3</sup> (2.48 yd <sup>3</sup> ) GDX Bucket	38 500 (84,900)	71.7 (10.4)	38 100 (84,000)	60.8 (8.8)	38 700 (85,400)	54.1 (7.9)	39 300 (86,700)	55.0 (8.0)
<b>7.56 mt (16,700 lb) Counterweight + Long Wide Undercarriage Base Machine + HD Reach Boom</b>								
HD R3.9 m (12'10") DB Stick + 1.50 m <sup>3</sup> (1.96 yd <sup>3</sup> ) GDX Bucket	37 700 (83,200)	70.3 (10.2)	37 300 (82,300)	59.6 (8.6)	38 000 (83,700)	53.1 (7.7)	38 600 (85,100)	53.9 (7.8)
HD R3.2 m (10'6") DB Stick + 1.50 m <sup>3</sup> (1.96 yd <sup>3</sup> ) GDX Bucket	37 600 (82,800)	70.0 (10.1)	37 200 (81,900)	59.3 (8.6)	37 800 (83,300)	52.8 (7.7)	38 400 (84,700)	53.7 (7.8)
HD R2.8 m (9'2") DB Stick + 1.50 m <sup>3</sup> (1.96 yd <sup>3</sup> ) GDX Bucket	37 500 (82,600)	69.8 (10.1)	37 100 (81,700)	59.2 (8.6)	37 700 (83,100)	52.7 (7.6)	38 300 (84,400)	53.5 (7.8)

All operating weights include a 90% fuel tank with 75 kg (165 lb) operator.

*(continued on next page)*

# 340 Hydraulic Excavator Specifications

## Operating Weights and Ground Pressures *(continued)*

Base Machine Configurations	600 mm (24") Double Grouser Shoes		700 mm (28") Triple Grouser Shoes		800 mm (31") Triple Grouser Shoes		800 mm (31") Triple Grouser Shoes HD	
	Weight	Ground Pressure	Weight	Ground Pressure	Weight	Ground Pressure	Weight	Ground Pressure
	kg (lb)	kPa (psi)	kg (lb)	kPa (psi)	kg (lb)	kPa (psi)	kg (lb)	kPa (psi)
<b>Base Frame with HD Track Rollers and Carrier Rollers for Long Undercarriage</b>								
<b>6.8 mt (15,000 lb) Counterweight + Long Undercarriage Base Machine + Reach Boom</b>								
R3.9 m (12'10") DB Stick + 1.50 m <sup>3</sup> (1.96 yd <sup>3</sup> ) GDX Bucket	36 300 (80,000)	67.6 (9.8)	35 900 (79,100)	57.3 (8.3)	36 500 (80,600)	51.1 (7.4)	37 100 (81,900)	51.9 (7.5)
R3.2 m (10'6") DB Stick + 1.50 m <sup>3</sup> (1.96 yd <sup>3</sup> ) GDX Bucket	36 100 (79,700)	67.3 (9.8)	35 700 (78,800)	57.0 (8.3)	36 400 (80,200)	50.8 (7.4)	37 000 (81,500)	51.7 (7.5)
R2.8 m (9'2") DB Stick + 1.50 m <sup>3</sup> (1.96 yd <sup>3</sup> ) GDX	36 000 (79,400)	67.1 (9.7)	35 600 (78,500)	56.9 (8.2)	36 300 (80,000)	50.7 (7.3)	36 900 (81,300)	51.5 (7.5)
<b>6.8 mt (15,000 lb) Counterweight + Long Undercarriage Base Machine + Mass Boom</b>								
M2.55 m (8'4") TB Stick + 1.90 m <sup>3</sup> (2.48 yd <sup>3</sup> ) GDX Bucket	37 300 (82,300)	69.5 (10.1)	36 900 (81,400)	58.9 (8.5)	37 600 (82,800)	52.5 (7.6)	38 200 (84,100)	53.3 (7.7)
<b>7.56 mt (16,700 lb) Counterweight + Long Undercarriage Base Machine + Reach Boom</b>								
R3.9 m (12'10") DB Stick + 1.50 m <sup>3</sup> (1.96 yd <sup>3</sup> ) GDX Bucket	37 200 (81,900)	69.2 (10.0)	36 800 (81,000)	58.7 (8.5)	37 400 (82,500)	52.3 (7.6)	38 000 (83,800)	53.1 (7.7)
R3.2 m (10'6") DB Stick + 1.50 m <sup>3</sup> (1.96 yd <sup>3</sup> ) GDX Bucket	37 000 (81,500)	68.9 (10.0)	36 600 (80,700)	58.4 (8.5)	37 200 (82,100)	52.0 (7.5)	37 800 (83,400)	52.9 (7.7)
R2.8 m (9'2") DB Stick + 1.50 m <sup>3</sup> (1.96 yd <sup>3</sup> ) GDX Bucket	36 900 (81,300)	68.7 (10.0)	36 500 (80,400)	58.2 (8.4)	37 100 (81,900)	51.9 (7.5)	37 700 (83,200)	52.7 (7.6)
<b>7.56 mt (16,700 lb) Counterweight + Long Undercarriage Base Machine + Mass Boom</b>								
M2.55 m (8'4") TB Stick + 1.90 m <sup>3</sup> (2.48 yd <sup>3</sup> ) GDX Bucket	38 200 (84,200)	71.1 (10.3)	37 800 (83,300)	60.3 (8.7)	38 400 (84,700)	53.7 (7.8)	39 000 (86,000)	54.5 (7.9)
<b>7.56 mt (16,700 lb) Counterweight + Long Undercarriage Base Machine + HD Reach Boom</b>								
HD R3.9 m (12'10") DB Stick + 1.50 m <sup>3</sup> (1.96 yd <sup>3</sup> ) GDX Bucket	37 400 (82,500)	69.7 (10.1)	37 000 (81,600)	59.1 (8.6)	37 700 (83,000)	52.6 (7.6)	38 300 (84,300)	53.4 (7.8)
HD R3.2 m (10'6") DB Stick + 1.50 m <sup>3</sup> (1.96 yd <sup>3</sup> ) GDX Bucket	37 200 (82,100)	69.4 (10.1)	36 800 (81,200)	58.8 (8.5)	37 500 (82,600)	52.4 (7.6)	38 100 (84,000)	53.2 (7.7)
HD R2.8 m (9'2") DB Stick + 1.50 m <sup>3</sup> (1.96 yd <sup>3</sup> ) GDX Bucket	37 100 (81,900)	69.2 (10.0)	36 700 (81,000)	58.6 (8.5)	37 400 (82,400)	52.2 (7.6)	38 000 (83,700)	53.1 (7.7)

All operating weights include a 90% fuel tank with 75 kg (165 lb) operator.

*(continued on next page)*

# 340 Hydraulic Excavator Specifications

## Operating Weights and Ground Pressures *(continued)*

Base Machine Configurations	600 mm (24") Double Grouser Shoes		700 mm (28") Triple Grouser Shoes		800 mm (31") Triple Grouser Shoes		800 mm (31") Triple Grouser Shoes HD	
	Weight	Ground Pressure	Weight	Ground Pressure	Weight	Ground Pressure	Weight	Ground Pressure
	kg (lb)	kPa (psi)	kg (lb)	kPa (psi)	kg (lb)	kPa (psi)	kg (lb)	kPa (psi)
<b>Base Frame with DF Track Rollers and Carrier Rollers for Long Undercarriage</b>								
<b>6.8 mt (15,000 lb) Counterweight + Long Undercarriage Base Machine + Reach Boom</b>								
R3.9 m (12'10") DB Stick + 1.50 m <sup>3</sup> (1.96 yd <sup>3</sup> ) GDX Bucket	36 400 (80,300)	67.9 (9.8)	36 000 (79,400)	57.5 (8.3)	36 700 (80,900)	51.2 (7.4)	37 300 (82,200)	52.1 (7.6)
R3.2 m (10'6") DB Stick + 1.50 m <sup>3</sup> (1.96 yd <sup>3</sup> ) GDX Bucket	36 300 (79,900)	67.5 (9.8)	35 900 (79,000)	57.2 (8.3)	36 500 (80,500)	51.0 (7.4)	37 100 (81,800)	51.8 (7.5)
R2.8 m (9'2") DB Stick + 1.50 m <sup>3</sup> (1.96 yd <sup>3</sup> ) GDX Bucket	36 200 (79,700)	67.4 (9.8)	35 800 (78,800)	57.1 (8.3)	36 400 (80,300)	50.9 (7.4)	37 000 (81,600)	51.7 (7.5)
<b>6.8 mt (15,000 lb) Counterweight + Long Undercarriage Base Machine + Mass Boom</b>								
M2.55 m (8'4") TB Stick + 1.90 m <sup>3</sup> (2.48 yd <sup>3</sup> ) GDX Bucket	37 500 (82,600)	69.8 (10.1)	37 000 (81,700)	59.2 (8.6)	37 700 (83,100)	52.7 (7.6)	38 300 (84,400)	53.5 (7.8)
<b>7.56 mt (16,700 lb) Counterweight + Long Undercarriage Base Machine + Reach Boom</b>								
R3.9 m (12'10") DB Stick + 1.50 m <sup>3</sup> (1.96 yd <sup>3</sup> ) GDX Bucket	37 300 (82,200)	69.5 (10.1)	36 900 (81,300)	58.9 (8.5)	37 500 (82,800)	52.4 (7.6)	38 100 (84,100)	53.3 (7.7)
R3.2 m (10'6") DB Stick + 1.50 m <sup>3</sup> (1.96 yd <sup>3</sup> ) GDX Bucket	37 100 (81,800)	69.1 (10.0)	36 700 (80,900)	58.6 (8.5)	37 400 (82,400)	52.2 (7.6)	38 000 (83,700)	53.0 (7.7)
R2.8 m (9'2") DB Stick + 1.50 m <sup>3</sup> (1.96 yd <sup>3</sup> ) GDX Bucket	37 000 (81,600)	69.0 (10.0)	36 600 (80,700)	58.5 (8.5)	37 300 (82,100)	52.1 (7.5)	37 900 (83,500)	52.9 (7.7)
<b>7.56 mt (16,700 lb) Counterweight + Long Undercarriage Base Machine + Mass Boom</b>								
M2.55 m (8'4") TB Stick + 1.90 m <sup>3</sup> (2.48 yd <sup>3</sup> ) GDX Bucket	38 300 (84,500)	71.4 (10.4)	37 900 (83,600)	60.5 (8.8)	38 600 (85,000)	53.9 (7.8)	39 200 (86,300)	54.7 (7.9)
<b>7.56 mt (16,700 lb) Counterweight + Long Undercarriage Base Machine + HD Reach Boom</b>								
HD R3.9 m (12'10") DB Stick + 1.50 m <sup>3</sup> (1.96 yd <sup>3</sup> ) GDX Bucket	37 500 (82,800)	69.9 (10.1)	37 100 (81,900)	59.3 (8.6)	37 800 (83,300)	52.8 (7.7)	38 400 (84,600)	53.6 (7.8)
HD R3.2 m (10'6") DB Stick + 1.50 m <sup>3</sup> (1.96 yd <sup>3</sup> ) GDX Bucket	37 400 (82,400)	69.6 (10.1)	37 000 (81,500)	59.0 (8.6)	37 600 (82,900)	52.5 (7.6)	38 200 (84,200)	53.4 (7.7)
HD R2.8 m (9'2") DB Stick + 1.50 m <sup>3</sup> (1.96 yd <sup>3</sup> ) GDX Bucket	37 300 (82,200)	69.4 (10.1)	36 900 (81,300)	58.9 (8.5)	37 500 (82,700)	52.4 (7.6)	38 100 (84,000)	53.2 (7.7)

All operating weights include a 90% fuel tank with 75 kg (165 lb) operator.

# 340 Hydraulic Excavator Specifications

## Major Component Weights

	kg	lb
Base Machine Weight (including upperframe, undercarriage, counterweight, boom cylinders – does not include boom, stick, bucket, stick cylinder, bucket cylinder, tracks, fuel, operator)		
With 6.8 mt (15,000 lb) Counterweight, Standard Swing Frame, Base Frame with HD Track Rollers and Carrier Rollers for Long Wide Undercarriage	24 460	53,930
With 6.8 mt (15,000 lb) Counterweight, Standard Swing Frame, Base Frame with DF Track Rollers and Carrier Rollers for Long Wide Undercarriage	24 590	54,220
With 7.56 mt (16,700 lb) Counterweight, HD Swing Frame, Base Frame with HD Track Rollers and Carrier Rollers for Long Wide Undercarriage	25 320	55,830
With 7.56 mt (16,700 lb) Counterweight, HD Swing Frame, Base Frame with DF Track Rollers and Carrier Rollers for Long Wide Undercarriage	25 450	56,110
With 6.8 mt (15,000 lb) Counterweight, Standard Swing Frame, Base Frame with HD Track Rollers and Carrier Rollers for Long Undercarriage	24 270	53,520
With 6.8 mt (15,000 lb) Counterweight, Standard Swing Frame, Base Frame with DF Track Rollers and Carrier Rollers for Long Undercarriage	24 410	53,810
With 7.56 mt (16,700 lb) Counterweight, HD Swing Frame, Base Frame with HD Track Rollers and Carrier Rollers for Long Undercarriage	25 130	55,410
With 7.56 mt (16,700 lb) Counterweight, HD Swing Frame, Base Frame with DF Track Rollers and Carrier Rollers for Long Undercarriage	25 260	55,700
Track Shoes:		
600 mm (24") Width, 15.5 mm (0.61") Thick, Double Grouser Track Shoes	4850	10,700
600 mm (24") Width, 15.5 mm (0.61") Thick, HD Triple Grouser Track Shoes	4750	10,470
700 mm (28") Width, 11 mm (0.43") Thick, Triple Grouser Track Shoes	4450	9,800
800 mm (31") Width, 13 mm (0.51") Thick, Triple Grouser Track Shoes	5100	11,230
800 mm (31") Width, 15.5 mm (0.61") Thick, HD Triple Grouser Track Shoes	5690	12,550
Two Boom Cylinders	670	1,470
Weight of 90% Fuel Tank and 75 kg (165 lb) Operator	550	1,210
Counterweights:		
6.8 mt (15,000 lb) Counterweight	6800	14,990
7.56 mt (16,700 lb) Counterweight	7560	16,670
Swing Frames:		
Standard Swing Frame	3160	6,960
HD Swing Frame	3260	7,180
Undercarriage:		
Base Frame with HD Track Rollers and Carrier Rollers for Long Wide Undercarriage	8480	18,700
Base Frame with DF Track Rollers and Carrier Rollers for Long Wide Undercarriage	8610	18,990
Base Frame with HD Track Rollers and Carrier Rollers for Long Undercarriage	8290	18,280
Base Frame with DF Track Rollers and Carrier Rollers for Long Undercarriage	8420	18,570

(continued on next page)

# 340 Hydraulic Excavator Specifications

## Major Component Weights *(continued)*

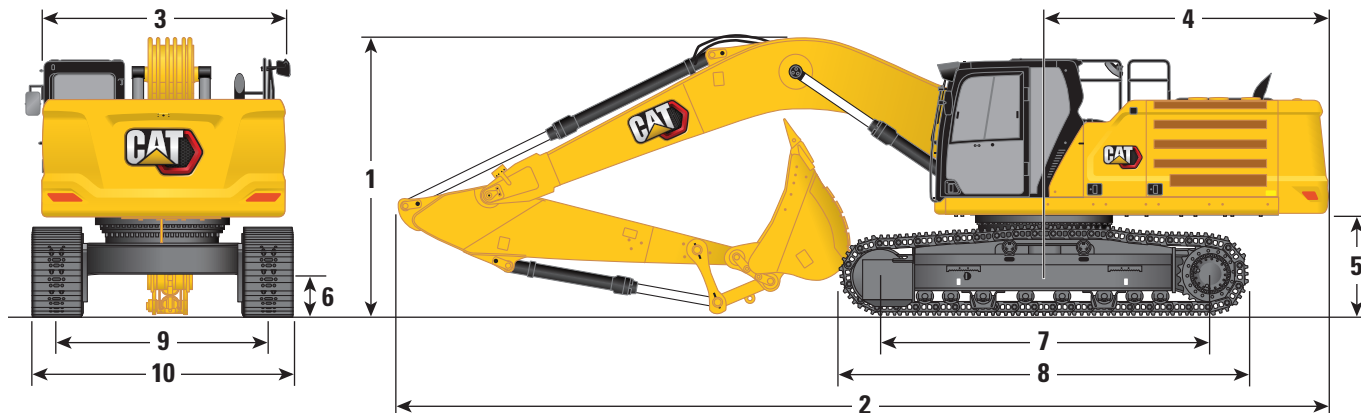
	kg	lb
Booms (including lines, pins, stick cylinder):		
Reach Boom 6.5 m (21'4")	3280	7,230
Mass Boom 6.18 m (20'3")	3500	7,710
HD Reach Boom 6.5 m (21'4")	3480	7,670
Sticks (including lines, pins, bucket cylinder, bucket linkage):		
Reach Stick R2.8DB (9'2")	1760	3,870
Reach Stick R3.2DB (10'6")	1860	4,100
Reach Stick R3.9DB (12'10")	2040	4,490
Mass Stick M2.55TB (8'4")	2120	4,680
HD Reach Stick R2.8DB (9'2")	1810	4,000
HD Reach Stick R3.2DB (10'6")	1920	4,220
HD Reach Stick R3.9DB (12'10")	2090	4,610
Buckets (without linkage):		
1.50 m <sup>3</sup> (1.96 yd <sup>3</sup> ) GDX	1310	2,900
1.90 m <sup>3</sup> (2.48 yd <sup>3</sup> ) GDX	2030	4,470
Quick Coupler (QC):		
Pin Grabber QC	700	1,550



# 340 Hydraulic Excavator Specifications

## Dimensions

All dimensions are approximate and may vary depending on bucket selection.



### Undercarriage Options

### Long Wide Undercarriage

### Boom Options

### Reach Boom 6.5 m (21'4")

### Stick Options

### Reach Stick

#### R3.9DB (12'10")

#### R3.2DB (10'6")

#### R2.8DB (9'2")

### 1 Machine Height:

Cab Height	3180 mm	10'5"	3180 mm	10'5"	3180 mm	10'5"
OPG Height	3330 mm	10'11"	3330 mm	10'11"	3330 mm	10'11"
Guardrails/Handrails Height	3180 mm	10'5"	3180 mm	10'5"	3180 mm	10'5"
With Boom/Stick/Bucket Installed	3660 mm	12'0"	3370 mm	11'1"	3580 mm	11'9"
With Boom/Stick Installed	3520 mm	11'7"	3320 mm	10'11"	3420 mm	11'3"
With Boom Installed	2880 mm	9'5"	2880 mm	9'5"	2880 mm	9'5"
With Boom/Stick/Bucket Installed (with auxiliary lines)	3710 mm	12'2"	3420 mm	11'3"	3600 mm	11'10"
With Boom/Stick Installed (with auxiliary lines)	3570 mm	11'9"	3390 mm	11'1"	3470 mm	11'5"
With Boom Installed (with auxiliary lines)	2970 mm	9'9"	2970 mm	9'9"	2970 mm	9'9"

### 2 Machine Length:

With Boom/Stick/Bucket Installed	11 180 mm	36'8"	11 130 mm	36'6"	11 190 mm	36'9"
With Boom/Stick Installed	11 160 mm	36'7"	11 120 mm	36'6"	11 160 mm	36'7"
With Boom Installed	9960 mm	32'8"	9960 mm	32'8"	9960 mm	32'8"
With Boom/Stick/Bucket Installed (with auxiliary lines)	11 180 mm	36'8"	11 130 mm	36'6"	11 190 mm	36'9"
With Boom/Stick Installed (with auxiliary lines)	11 170 mm	36'8"	11 120 mm	36'6"	11 170 mm	36'8"
With Boom Installed (with auxiliary lines)	10 010 mm	32'10"	10 010 mm	32'10"	10 010 mm	32'10"

### 3 Upperframe Width without Walkways

	2970 mm	9'9"	2970 mm	9'9"	2970 mm	9'9"
--	---------	------	---------	------	---------	------

### 4 Tail Swing Radius

	3530 mm	11'7"	3530 mm	11'7"	3530 mm	11'7"
--	---------	-------	---------	-------	---------	-------

### 5 Counterweight Clearance

	1260 mm	4'2"	1260 mm	4'2"	1260 mm	4'2"
--	---------	------	---------	------	---------	------

### 6 Ground Clearance

	510 mm	1'8"	510 mm	1'8"	510 mm	1'8"
--	--------	------	--------	------	--------	------

### 7 Track Length – Length to Center of Rollers

	4040 mm	13'3"	4040 mm	13'3"	4040 mm	13'3"
--	---------	-------	---------	-------	---------	-------

### 8 Track Length

	5030 mm	16'6"	5030 mm	16'6"	5030 mm	16'6"
--	---------	-------	---------	-------	---------	-------

### 9 Track Gauge – Extended

	2740 mm	9'0"	2740 mm	9'0"	2740 mm	9'0"
--	---------	------	---------	------	---------	------

### 10 Track Width/Undercarriage Width (with steps):

600 mm (24") Shoes	3340 mm	10'11"	3340 mm	10'11"	3340 mm	10'11"
700 mm (28") Shoes	3440 mm	11'3"	3440 mm	11'3"	3440 mm	11'3"
800 mm (31") Shoes	3540 mm	11'7"	3540 mm	11'7"	3540 mm	11'7"

### Bucket Type

#### GDX

#### GDX

#### GDX

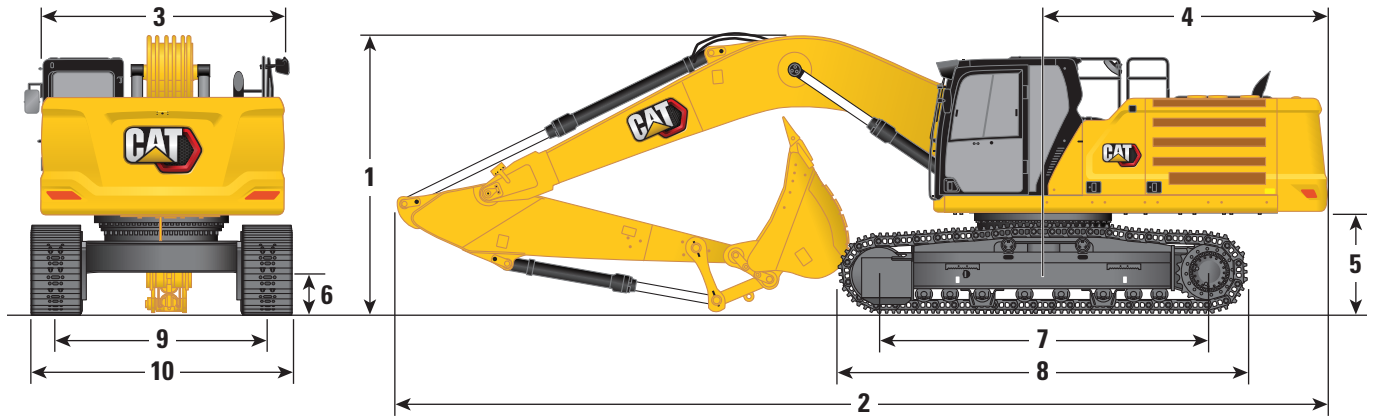
Bucket Capacity	1.50 m <sup>3</sup>	1.96 yd <sup>3</sup>	1.50 m <sup>3</sup>	1.96 yd <sup>3</sup>	1.50 m <sup>3</sup>	1.96 yd <sup>3</sup>
Bucket Tip Radius	1680 mm	5.5 ft	1680 mm	5.5 ft	1680 mm	5.5 ft

(continued on next page)

# 340 Hydraulic Excavator Specifications

## Dimensions (continued)

All dimensions are approximate and may vary depending on bucket selection.



### Undercarriage Options

### Long Wide Undercarriage

### Boom Options

**Mass Boom**  
6.18 m (20'3")

### Stick Options

**Mass Stick**  
M2.55TB (8'4")

### 1 Machine Height:

Cab Height	3180 mm	10'5"
OPG Height	3330 mm	10'11"
Guardrails/Handrails Height	3180 mm	10'5"
With Boom/Stick/Bucket Installed	3590 mm	11'9"
With Boom/Stick Installed	3330 mm	10'11"
With Boom Installed	2830 mm	9'3"
With Boom/Stick/Bucket Installed (with auxiliary lines)	3600 mm	11'10"
With Boom/Stick Installed (with auxiliary lines)	3350 mm	11'0"
With Boom Installed (with auxiliary lines)	2900 mm	9'6"

### 2 Machine Length:

With Boom/Stick/Bucket Installed	10 870 mm	35'8"
With Boom/Stick Installed	10 810 mm	35'6"
With Boom Installed	9640 mm	31'8"
With Boom/Stick/Bucket Installed (with auxiliary lines)	10 870 mm	35'8"
With Boom/Stick Installed (with auxiliary lines)	10 830 mm	35'6"
With Boom Installed (with auxiliary lines)	9640 mm	31'8"

### 3 Upperframe Width without Walkways

2970 mm	9'9"
---------	------

### 4 Tail Swing Radius

3530 mm	11'7"
---------	-------

### 5 Counterweight Clearance

1260 mm	4'2"
---------	------

### 6 Ground Clearance

510 mm	1'8"
--------	------

### 7 Track Length – Length to Center of Rollers

4040 mm	13'3"
---------	-------

### 8 Track Length

5030 mm	16'6"
---------	-------

### 9 Track Gauge – Extended

2740 mm	9'0"
---------	------

### 10 Track Width/Undercarriage Width (with steps):

600 mm (24") Shoes	3340 mm	10'11"
700 mm (28") Shoes	3440 mm	11'3"
800 mm (31") Shoes	3540 mm	11'7"

### Bucket Type

GDX

### Bucket Capacity

1.90 m <sup>3</sup>	2.48 yd <sup>3</sup>
---------------------	----------------------

### Bucket Tip Radius

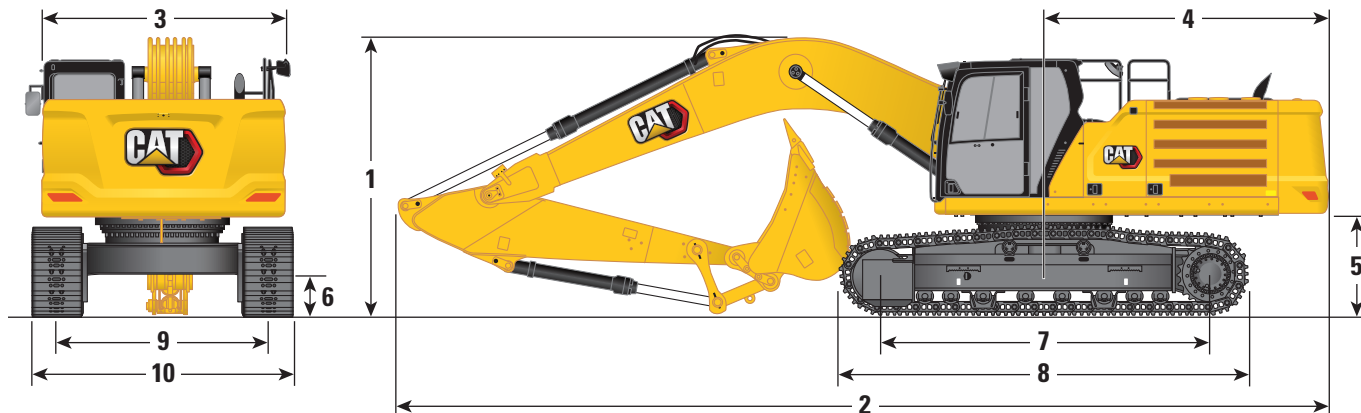
1850 mm	6.1 ft
---------	--------

(continued on next page)

# 340 Hydraulic Excavator Specifications

## Dimensions (continued)

All dimensions are approximate and may vary depending on bucket selection.



### Undercarriage Options

### Long Undercarriage

### Boom Options

### Reach Boom 6.5 m (21'4")

### Stick Options

### Reach Stick

	R3.9DB (12'10")	R3.2DB (10'6")	R2.8DB (9'2")
--	-----------------	----------------	---------------

### 1 Machine Height:

	R3.9DB (12'10")	R3.2DB (10'6")	R2.8DB (9'2")
Cab Height	3170 mm	10'5"	3170 mm
OPG Height	3310 mm	10'10"	3310 mm
Guardrails/Handrails Height	3160 mm	10'4"	3160 mm
With Boom/Stick/Bucket Installed	3670 mm	12'0"	3580 mm
With Boom/Stick Installed	3520 mm	11'7"	3420 mm
With Boom Installed	2880 mm	9'5"	2880 mm
With Boom/Stick/Bucket Installed (with auxiliary lines)	3710 mm	12'2"	3600 mm
With Boom/Stick Installed (with auxiliary lines)	3570 mm	11'9"	3470 mm
With Boom Installed (with auxiliary lines)	2970 mm	9'9"	2970 mm

### 2 Machine Length:

With Boom/Stick/Bucket Installed	11 180 mm	36'8"	11 140 mm	36'7"	11 190 mm	36'9"
With Boom/Stick Installed	11 160 mm	36'7"	11 120 mm	36'6"	11 170 mm	36'8"
With Boom Installed	9960 mm	32'8"	9960 mm	32'8"	9960 mm	32'8"
With Boom/Stick/Bucket Installed (with auxiliary lines)	11 180 mm	36'8"	11 140 mm	36'7"	11 190 mm	36'9"
With Boom/Stick Installed (with auxiliary lines)	11 160 mm	36'7"	11 120 mm	36'6"	11 170 mm	36'8"
With Boom Installed (with auxiliary lines)	10 010 mm	32'10"	10 010 mm	32'10"	10 010 mm	32'10"

### 3 Upperframe Width without Walkways

	2970 mm	9'9"	2970 mm	9'9"	2970 mm	9'9"
--	---------	------	---------	------	---------	------

### 4 Tail Swing Radius

	3530 mm	11'7"	3530 mm	11'7"	3530 mm	11'7"
--	---------	-------	---------	-------	---------	-------

### 5 Counterweight Clearance

	1250 mm	4'1"	1250 mm	4'1"	1250 mm	4'1"
--	---------	------	---------	------	---------	------

### 6 Ground Clearance

	510 mm	1'8"	510 mm	1'8"	510 mm	1'8"
--	--------	------	--------	------	--------	------

### 7 Track Length – Length to Center of Rollers

	4040 mm	13'3"	4040 mm	13'3"	4040 mm	13'3"
--	---------	-------	---------	-------	---------	-------

### 8 Track Length

	5030 mm	16'6"	5030 mm	16'6"	5030 mm	16'6"
--	---------	-------	---------	-------	---------	-------

### 9 Track Gauge – Extended

	2590 mm	8'6"	2590 mm	8'6"	2590 mm	8'6"
--	---------	------	---------	------	---------	------

### 10 Track Width/Undercarriage Width (with steps):

600 mm (24") Shoes	3190 mm	10'6"	3190 mm	10'6"	3190 mm	10'6"
700 mm (28") Shoes	3290 mm	10'10"	3290 mm	10'10"	3290 mm	10'10"
800 mm (31") Shoes	3390 mm	11'1"	3390 mm	11'1"	3390 mm	11'1"

### Bucket Type

	GDX		GDX		GDX	
--	-----	--	-----	--	-----	--

### Bucket Capacity

	1.50 m <sup>3</sup>	1.96 yd <sup>3</sup>	1.50 m <sup>3</sup>	1.96 yd <sup>3</sup>	1.50 m <sup>3</sup>	1.96 yd <sup>3</sup>
--	---------------------	----------------------	---------------------	----------------------	---------------------	----------------------

### Bucket Tip Radius

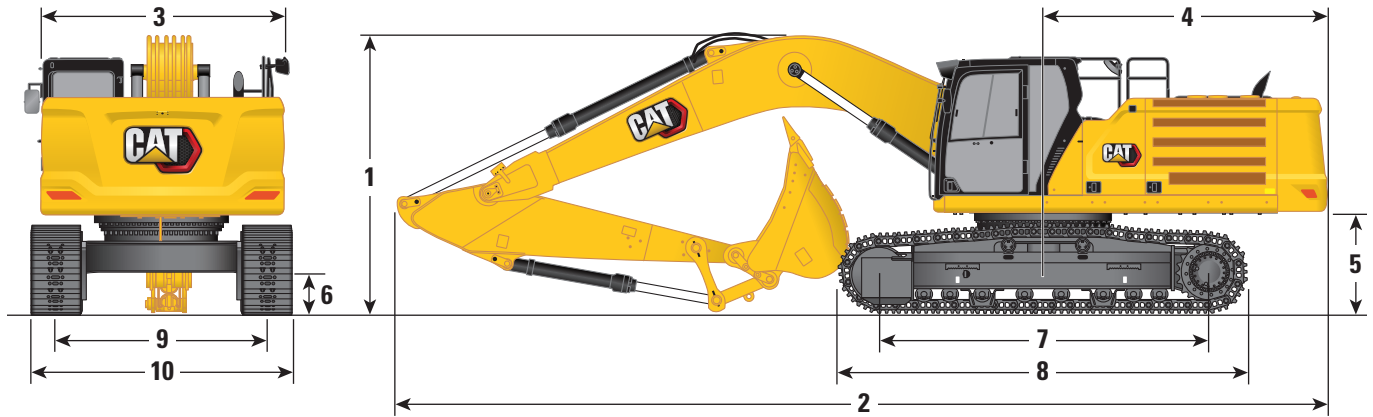
	1680 mm	5.5 ft	1680 mm	5.5 ft	1680 mm	5.5 ft
--	---------	--------	---------	--------	---------	--------

(continued on next page)

# 340 Hydraulic Excavator Specifications

## Dimensions (continued)

All dimensions are approximate and may vary depending on bucket selection.



### Undercarriage Options

#### Boom Options

#### Stick Options

### Long Undercarriage

**Mass Boom**  
6.18 m (20'3")

**Mass Stick**  
M2.55TB (8'4")

#### 1 Machine Height:

Cab Height	3170 mm	10'5"
OPG Height	3310 mm	10'10"
Guardrails/Handrails Height	3160 mm	10'4"
With Boom/Stick/Bucket Installed	3590 mm	11'9"
With Boom/Stick Installed	3330 mm	10'11"
With Boom Installed	2830 mm	9'3"
With Boom/Stick/Bucket Installed (with auxiliary lines)	3600 mm	11'10"
With Boom/Stick Installed (with auxiliary lines)	3340 mm	10'11"
With Boom Installed (with auxiliary lines)	2900 mm	9'6"

#### 2 Machine Length:

With Boom/Stick/Bucket Installed	10 870 mm	35'8"
With Boom/Stick Installed	10 810 mm	35'6"
With Boom Installed	9640 mm	31'8"
With Boom/Stick/Bucket Installed (with auxiliary lines)	10 870 mm	35'8"
With Boom/Stick Installed (with auxiliary lines)	10 810 mm	35'6"
With Boom Installed (with auxiliary lines)	9640 mm	31'8"

#### 3 Upperframe Width without Walkways

2970 mm	9'9"
---------	------

#### 4 Tail Swing Radius

3530 mm	11'7"
---------	-------

#### 5 Counterweight Clearance

1250 mm	4'1"
---------	------

#### 6 Ground Clearance

510 mm	1'8"
--------	------

#### 7 Track Length – Length to Center of Rollers

4040 mm	13'3"
---------	-------

#### 8 Track Length

5030 mm	16'6"
---------	-------

#### 9 Track Gauge – Extended

2590 mm	8'6"
---------	------

#### 10 Track Width/Undercarriage Width (with steps):

600 mm (24") Shoes	3190 mm	10'6"
700 mm (28") Shoes	3290 mm	10'10"
800 mm (31") Shoes	3390 mm	11'1"

#### Bucket Type

GDX

#### Bucket Capacity

1.90 m <sup>3</sup>	2.48 yd <sup>3</sup>
---------------------	----------------------

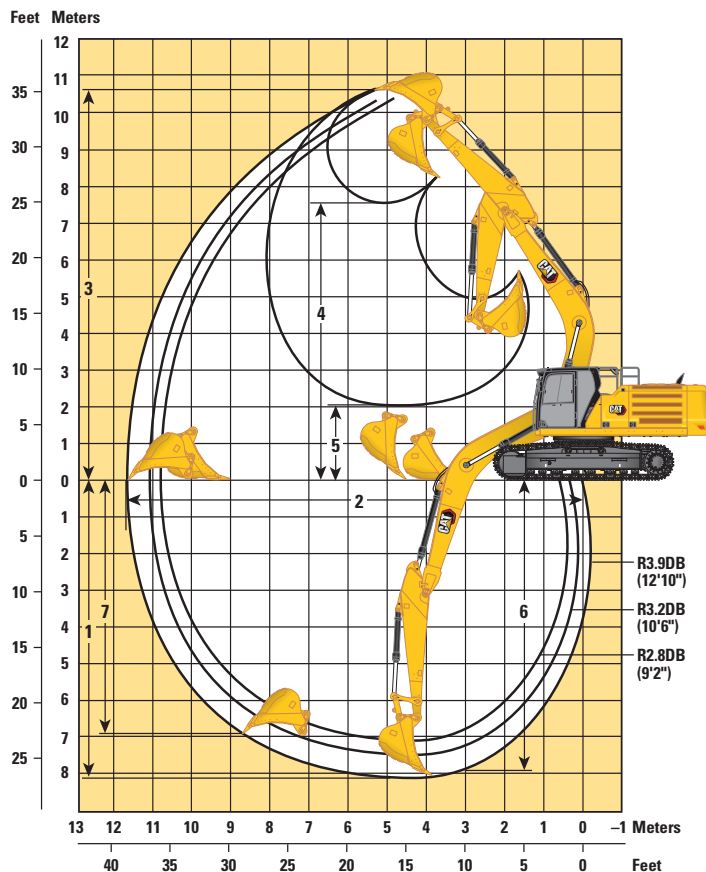
#### Bucket Tip Radius

1850 mm	6.1 ft
---------	--------

# 340 Hydraulic Excavator Specifications

## Working Ranges and Forces

All dimensions are approximate and may vary depending on bucket selection.



### Undercarriage Options

### Long Wide Undercarriage

### Boom Options

Reach Boom  
6.5 m (21'4")

### Stick Options

### Reach Stick

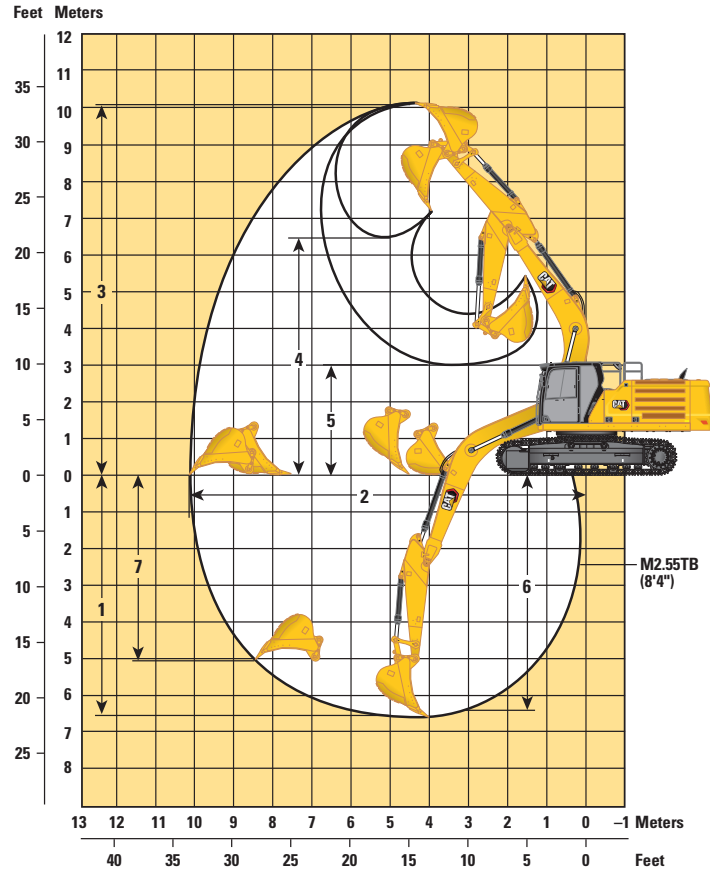
	R3.9DB (12'10")		R3.2DB (10'6")		R2.8DB (9'2")	
	mm	ft	mm	ft	mm	ft
<b>1</b> Maximum Digging Depth	8090	26'7"	7390	24'3"	6990	22'11"
<b>2</b> Maximum Reach at Ground Line	11 630	38'2"	10 930	35'10"	10 630	34'11"
<b>3</b> Maximum Cutting Height	10 720	35'2"	10 300	33'10"	10 360	34'0"
<b>4</b> Maximum Loading Height	7600	24'11"	7210	23'8"	7200	23'7"
<b>5</b> Minimum Loading Height	2010	6'7"	2710	8'11"	3110	10'2"
<b>6</b> Maximum Depth Cut for 2440 mm (8'0") Level Bottom	7960	26'1"	7230	23'9"	6820	22'5"
<b>7</b> Maximum Vertical Wall Digging Depth	6960	22'10"	6140	20'2"	6070	19'11"
Bucket Digging Force (ISO)	223 kN	50,020 lbf	223 kN	50,020 lbf	223 kN	50,020 lbf
Stick Digging Force (ISO)	146 kN	32,910 lbf	169 kN	37,950 lbf	188 kN	42,290 lbf
Bucket Type	GDX		GDX		GDX	
Bucket Capacity	1.50 m <sup>3</sup>	1.96 yd <sup>3</sup>	1.50 m <sup>3</sup>	1.96 yd <sup>3</sup>	1.50 m <sup>3</sup>	1.96 yd <sup>3</sup>
Bucket Tip Radius	1680 mm	5.5 ft	1680 mm	5.5 ft	1680 mm	5.5 ft

(continued on next page)

# 340 Hydraulic Excavator Specifications

## Working Ranges and Forces *(continued)*

All dimensions are approximate and may vary depending on bucket selection.



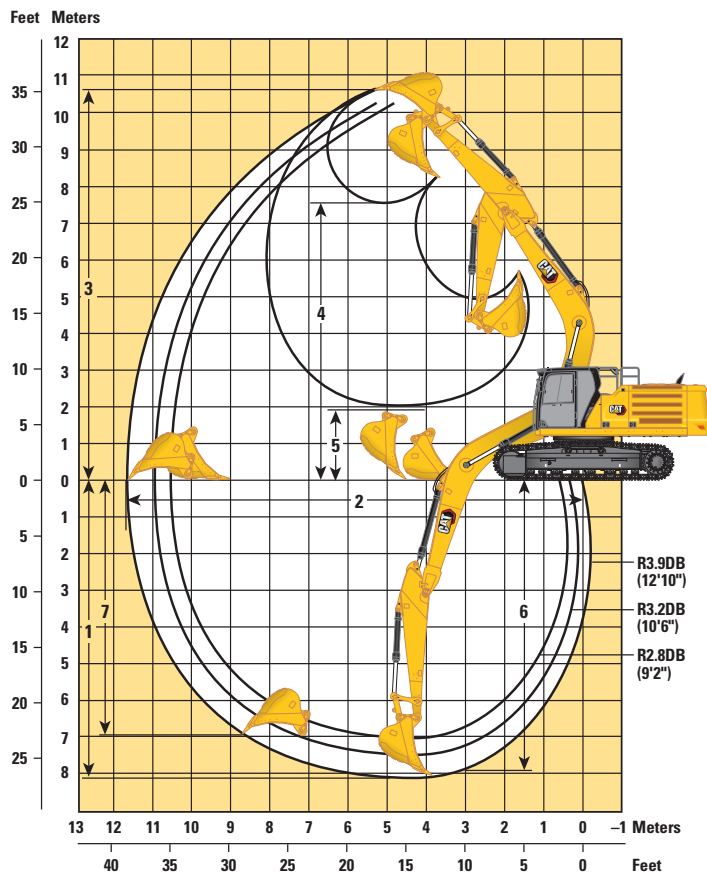
Undercarriage Options	Long Wide Undercarriage	
Boom Options	Mass Boom 6.18 m (20'3")	
Stick Options	Mass Stick M2.55TB (8'4")	
1 Maximum Digging Depth	6570 mm	21'7"
2 Maximum Reach at Ground Line	10 200 mm	33'6"
3 Maximum Cutting Height	10 050 mm	33'0"
4 Maximum Loading Height	6690 mm	21'11"
5 Minimum Loading Height	3000 mm	9'10"
6 Maximum Depth Cut for 2440 mm (8'0") Level Bottom	6400 mm	21'0"
7 Maximum Vertical Wall Digging Depth	5080 mm	16'8"
Bucket Digging Force (ISO)	269 kN	60,560 lbf
Stick Digging Force (ISO)	191 kN	42,940 lbf
Bucket Type	GD <sub>X</sub>	
Bucket Capacity	1.90 m <sup>3</sup>	2.48 yd <sup>3</sup>
Bucket Tip Radius	1850 mm	6.1 ft

*(continued on next page)*

# 340 Hydraulic Excavator Specifications

## Working Ranges and Forces *(continued)*

All dimensions are approximate and may vary depending on bucket selection.



### Undercarriage Options

### Long Undercarriage

### Boom Options

### Reach Boom 6.5 m (21'4")

### Stick Options

### Reach Stick

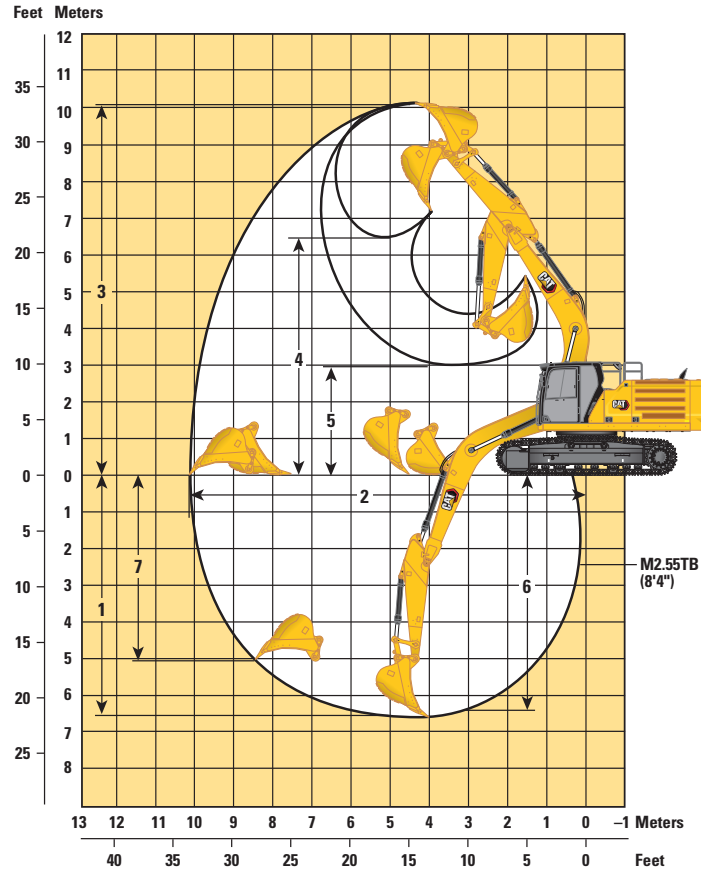
	R3.9DB (12'10")		R3.2DB (10'6")		R2.8DB (9'2")	
	mm	ft/in	mm	ft/in	mm	ft/in
<b>1</b> Maximum Digging Depth	8110	26'7"	7410	24'4"	7010	23'0"
<b>2</b> Maximum Reach at Ground Line	11 640	38'2"	10 940	35'11"	10 630	34'11"
<b>3</b> Maximum Cutting Height	10 700	35'1"	10 290	33'9"	10 340	33'11"
<b>4</b> Maximum Loading Height	7580	24'10"	7190	23'7"	7190	23'7"
<b>5</b> Minimum Loading Height	1990	6'6"	2690	8'10"	3090	10'2"
<b>6</b> Maximum Depth Cut for 2440 mm (8'0") Level Bottom	7970	26'2"	7240	23'9"	6840	22'5"
<b>7</b> Maximum Vertical Wall Digging Depth	6970	22'10"	6150	20'2"	6080	19'11"
Bucket Digging Force (ISO)	223 kN	50,020 lbf	223 kN	50,020 lbf	223 kN	50,020 lbf
Stick Digging Force (ISO)	146 kN	32,910 lbf	169 kN	37,950 lbf	188 kN	42,290 lbf
Bucket Type	GDX		GDX		GDX	
Bucket Capacity	1.50 m <sup>3</sup>	1.96 yd <sup>3</sup>	1.50 m <sup>3</sup>	1.96 yd <sup>3</sup>	1.50 m <sup>3</sup>	1.96 yd <sup>3</sup>
Bucket Tip Radius	1680 mm	5.5 ft	1680 mm	5.5 ft	1680 mm	5.5 ft

*(continued on next page)*

# 340 Hydraulic Excavator Specifications

## Working Ranges and Forces *(continued)*

All dimensions are approximate and may vary depending on bucket selection.



### Undercarriage Options

### Long Undercarriage

### Boom Options

**Mass Boom**  
6.18 m (20'3")

### Stick Options

**Mass Stick**  
M2.55TB (8'4")

<b>1</b> Maximum Digging Depth	6590 mm	21'7"
<b>2</b> Maximum Reach at Ground Line	10 200 mm	33'6"
<b>3</b> Maximum Cutting Height	10 040 mm	32'11"
<b>4</b> Maximum Loading Height	6680 mm	21'11"
<b>5</b> Minimum Loading Height	2980 mm	9'9"
<b>6</b> Maximum Depth Cut for 2440 mm (8'0") Level Bottom	6410 mm	21'0"
<b>7</b> Maximum Vertical Wall Digging Depth	5090 mm	16'8"
Bucket Digging Force (ISO)	269 kN	60,560 lbf
Stick Digging Force (ISO)	191 kN	42,940 lbf
Bucket Type	GD $X$	
Bucket Capacity	1.90 m <sup>3</sup>	2.48 yd <sup>3</sup>
Bucket Tip Radius	1850 mm	6.1 ft



# 340 Hydraulic Excavator Specifications

## Bucket Specifications and Compatibility

	Linkage	Width		Capacity		Weight		Fill	Long Undercarriage											
									6.8 mt (15,000 lb) Counterweight				7.56 mt (16,700 lb) Counterweight							
									Reach		Mass	Reach HD			Reach				Mass	
		mm	in	m <sup>3</sup>	yd <sup>3</sup>	kg	lb		%	R2.8 (9'2")	R3.2 (10'6")	R3.9 (12'10")	M2.55 (8'4")	R2.8 (9'2") HD	R3.2 (10'6") HD	R3.9 (12'10") HD	R2.8 (9'2")	R3.2 (10'6")	R3.9 (12'10")	M2.55 (8'4")
<b>Pin-On (No Quick Coupler)</b>																				
General Duty	DB	1400	55	1.40	1.83	1163	2,563	100	●	●	●		●	●	●	●	●	●		
	DB	1450	57	1.50	1.96	1200	2,645	100	●	●	●		●	●	●	●	●	●		
	DB	1550	61	1.60	2.09	1262	2,783	100	●	●	●		●	●	●	●	●	●		
Heavy Duty	DB	1450	57	1.40	1.83	1467	3,234	100	●	●	●		●	●	●	●	●	●		
	DB	1500	59	1.50	1.96	1518	3,346	100	●	●	⊙		●	●	●	●	●	●		
General Duty	TB	1600	63	2.00	2.62	1974	4,347	100				⊙							●	
Heavy Duty	TB	1550	61	1.90	2.48	2346	5,166	100				⊙							●	
Maximum load with pin-on (payload + bucket)									kg	5400	5110	4460	5820	5720	5400	4700	5800	5500	4810	6270
									lb	11,905	11,266	9,833	12,831	12,610	11,905	10,362	12,787	12,125	10,604	13,823

	Linkage	Width		Capacity		Weight		Fill	Long Wide Undercarriage											
									6.8 mt (15,000 lb) Counterweight				7.56 mt (16,700 lb) Counterweight							
									Reach		Mass	Reach HD			Reach				Mass	
		mm	in	m <sup>3</sup>	yd <sup>3</sup>	kg	lb		%	R2.8 (9'2")	R3.2 (10'6")	R3.9 (12'10")	M2.55 (8'4")	R2.8 (9'2") HD	R3.2 (10'6") HD	R3.9 (12'10") HD	R2.8 (9'2")	R3.2 (10'6")	R3.9 (12'10")	M2.55 (8'4")
<b>Pin-On (No Quick Coupler) (continued)</b>																				
General Duty	DB	1400	55	1.40	1.83	1163	2,563	100	●	●	●		●	●	●	●	●	●		
	DB	1450	57	1.50	1.96	1200	2,645	100	●	●	●		●	●	●	●	●	●		
	DB	1550	61	1.60	2.09	1262	2,783	100	●	●	●		●	●	●	●	●	●		
Heavy Duty	DB	1450	57	1.40	1.83	1467	3,234	100	●	●	●		●	●	●	●	●	●		
	DB	1500	59	1.50	1.96	1518	3,346	100	●	●	●		●	●	●	●	●	●		
General Duty	TB	1600	63	2.00	2.62	1974	4,347	100				●							●	
Heavy Duty	TB	1550	61	1.90	2.48	2346	5,166	100				●							●	
Maximum load with pin-on (payload + bucket)									kg	5790	5480	4790	6270	6120	5780	5040	6200	5880	5150	6730
									lb	12,765	12,081	10,560	13,823	13,492	12,743	11,111	13,669	12,963	11,354	14,837

The above loads are in compliance with hydraulic excavator standard EN474-5:2006 + A3:2013, they do not exceed 87% of hydraulic lifting capacity or 75% of tipping capacity with front linkage fully extended at ground line with bucket curled.

Capacity based on ISO 7451:2007.

Bucket weight with General Duty tips.

### Maximum Material Density:

● 2100 kg/m<sup>3</sup> (3,500 lb/yd<sup>3</sup>)

⊙ 1800 kg/m<sup>3</sup> (3,000 lb/yd<sup>3</sup>)

Caterpillar recommends using appropriate work tools to maximize the value customers receive from our products. Use of work tools, including buckets, which are outside of Caterpillar's recommendations or specifications for weight, dimensions, flows, pressures, etc. may result in less-than-optimal performance, including but not limited to reductions in production, stability, reliability, and component durability. Improper use of a work tool resulting in sweeping, prying, twisting and/or catching of heavy loads will reduce the life of the boom and stick.

(continued on next page)

# 340 Hydraulic Excavator Specifications

## Bucket Specifications and Compatibility (continued)

	Linkage	Width		Capacity		Weight		Fill	Long Undercarriage										
									6.8 mt (15,000 lb) Counterweight				7.56 mt (16,700 lb) Counterweight						
		mm	in	m <sup>3</sup>	yd <sup>3</sup>	kg	lb	%	Reach			Mass	Reach HD			Reach			Mass
									R2.8 (9'2")	R3.2 (10'6")	R3.9 (12'10")	M2.55 (8'4")	R2.8 (9'2") HD	R3.2 (10'6") HD	R3.9 (12'10") HD	R2.8 (9'2")	R3.2 (10'6")	R3.9 (12'10")	M2.55 (8'4")
<b>With Cat Pin Grabber Coupler</b>																			
General Duty	DB	1400	55	1.40	1.83	1163	2,563	100	●	●	⊙		●	●	●	●	●	●	
	DB	1450	57	1.50	1.96	1200	2,645	100	●	●	⊖		●	●	⊙	●	●	⊙	
	DB	1550	61	1.60	2.09	1262	2,783	100	●	⊙	⊖		●	●	⊙	●	●	⊙	
Heavy Duty	DB	1450	57	1.40	1.83	1467	3,234	100	●	●	⊖		●	●	⊙	●	●	⊙	
	DB	1500	59	1.50	1.96	1518	3,346	100	●	⊙	⊖		●	●	⊖	●	●	⊙	
General Duty	TB	1600	63	2.00	2.62	1974	4,347	100				○							⊖
Heavy Duty	TB	1550	61	1.90	2.48	2346	5,166	100				○							⊖
Maximum load with coupler (payload + bucket)								kg	4702	4412	3762	4767	5022	4702	4002	5102	4802	4112	5217
								lb	10,367	9,727	8,294	10,509	11,072	10,367	8,824	11,249	10,587	9,066	11,501

	Linkage	Width		Capacity		Weight		Fill	Long Wide Undercarriage										
									6.8 mt (15,000 lb) Counterweight				7.56 mt (16,700 lb) Counterweight						
		mm	in	m <sup>3</sup>	yd <sup>3</sup>	kg	lb	%	Reach			Mass	Reach HD			Reach			Mass
									R2.8 (9'2")	R3.2 (10'6")	R3.9 (12'10")	M2.55 (8'4")	R2.8 (9'2") HD	R3.2 (10'6") HD	R3.9 (12'10") HD	R2.8 (9'2")	R3.2 (10'6")	R3.9 (12'10")	M2.55 (8'4")
<b>With Cat Pin Grabber Coupler (continued)</b>																			
General Duty	DB	1400	55	1.40	1.83	1163	2,563	100	●	●	●		●	●	●	●	●	●	
	DB	1450	57	1.50	1.96	1200	2,645	100	●	●	⊙		●	●	●	●	●	●	
	DB	1550	61	1.60	2.09	1262	2,783	100	●	●	⊙		●	●	⊙	●	●	⊙	
Heavy Duty	DB	1450	57	1.40	1.83	1467	3,234	100	●	●	⊙		●	●	●	●	●	●	
	DB	1500	59	1.50	1.96	1518	3,346	100	●	●	⊙		●	●	⊙	●	●	⊙	
General Duty	TB	1600	63	2.00	2.62	1974	4,347	100				⊖							⊙
Heavy Duty	TB	1550	61	1.90	2.48	2346	5,166	100				⊖							⊙
Maximum load with coupler (payload + bucket)								kg	5092	4782	4092	5217	5422	5082	4342	5502	5182	4452	5677
								lb	11,227	10,543	9,022	11,501	11,954	11,205	9,573	12,130	11,425	9,816	12,515

The above loads are in compliance with hydraulic excavator standard EN474-5:2006 + A3:2013, they do not exceed 87% of hydraulic lifting capacity or 75% of tipping capacity with front linkage fully extended at ground line with bucket curled.

Capacity based on ISO 7451:2007.

Bucket weight with General Duty tips.

### Maximum Material Density:

- 2100 kg/m<sup>3</sup> (3,500 lb/yd<sup>3</sup>)
- ⊙ 1800 kg/m<sup>3</sup> (3,000 lb/yd<sup>3</sup>)
- ⊖ 1500 kg/m<sup>3</sup> (2,500 lb/yd<sup>3</sup>)
- 1200 kg/m<sup>3</sup> (2,000 lb/yd<sup>3</sup>)

Caterpillar recommends using appropriate work tools to maximize the value customers receive from our products. Use of work tools, including buckets, which are outside of Caterpillar's recommendations or specifications for weight, dimensions, flows, pressures, etc. may result in less-than-optimal performance, including but not limited to reductions in production, stability, reliability, and component durability. Improper use of a work tool resulting in sweeping, prying, twisting and/or catching of heavy loads will reduce the life of the boom and stick.

# 340 Hydraulic Excavator Specifications

## Attachments Offering Guide

Not all Attachments are available in all regions. Consult your Cat dealer for configurations available in your region.

Match       \* Working range front only       No Match

### PIN-ON ATTACHMENTS

Undercarriage		Long			
Counterweight		6.8 mt (15,000 lb)			
Boom Type		Reach			ME
Stick Length		2.8 m (9'2")	3.2 m (10'6")	3.9 m (12'10")	2.55 m (8'4")
Hydraulic Hammers	H140 S	✓	✓	✓	✓
	H160 S	✓	✓	✓	✓
	H180 S	✓	✓		✓
Rotary Cutters	RC30	✓	✓	✓	

### PIN-ON ATTACHMENTS (continued)

Undercarriage		Long						
Counterweight		7.56 mt (16,700 lb)						
Boom Type		Reach			Reach HD			ME
Stick Length		2.8 m (9'2")	3.2 m (10'6")	3.9 m (12'10")	2.8 m (9'2") HD	3.2 m (10'6") HD	3.9 m (12'10") HD	2.55 m (8'4")
Hydraulic Hammers	H140 S	✓	✓	✓	✓	✓	✓	✓
	H160 S	✓	✓	✓	✓	✓	✓	✓
	H180 S	✓	✓	✓*	✓	✓	✓*	✓
Rotary Cutters	RC30	✓	✓	✓	✓	✓	✓	

### PIN-ON ATTACHMENTS (continued)

Undercarriage		Long Wide					
Counterweight		6.8 mt (15,000 lb)					
Boom Type		Reach			ME		
Stick Length		2.8 m (9'2")	3.2 m (10'6")	3.9 m (12'10")	2.55 m (8'4")		
Hydraulic Hammers	H140 S	✓	✓	✓	✓		
	H160 S	✓	✓	✓	✓		
	H180 S	✓	✓	✓	✓*		
Rotary Cutters	RC30	✓	✓	✓	✓		

### PIN-ON ATTACHMENTS (continued)

Undercarriage		Long Wide						
Counterweight		7.56 mt (16,700 lb)						
Boom Type		Reach			Reach HD			ME
Stick Length		2.8 m (9'2")	3.2 m (10'6")	3.9 m (12'10")	2.8 m (9'2") HD	3.2 m (10'6") HD	3.9 m (12'10") HD	2.55 m (8'4")
Hydraulic Hammers	H140 S	✓	✓	✓	✓	✓	✓	✓
	H160 S	✓	✓	✓	✓	✓	✓	✓
	H180 S	✓	✓	✓	✓	✓	✓	✓
Rotary Cutters	RC30	✓	✓	✓	✓	✓	✓	

(continued on next page)

# 340 Hydraulic Excavator Specifications

## Attachments Offering Guide *(continued)*

Not all Attachments are available in all regions. Consult your Cat dealer for configurations available in your region.

Match       \* Working range front only       No Match

### CAT PIN GRABBER COUPLER ATTACHMENTS

Undercarriage		Long			
Counterweight		6.8 mt (15,000 lb)			
Boom Type		Reach			ME
Stick Length		2.8 m (9'2")	3.2 m (10'6")	3.9 m (12'10")	2.55 m (8'4")
Hydraulic Hammers	H140 S	✓	✓	✓	✓
	H160 S	✓	✓	✓*	✓
	H180 S				
Rotary Cutters	RC30	✓	✓	✓	

### CAT PIN GRABBER COUPLER ATTACHMENTS *(continued)*

Undercarriage		Long						
Counterweight		7.56 mt (16,700 lb)						
Boom Type		Reach			Reach HD			ME
Stick Length		2.8 m (9'2")	3.2 m (10'6")	3.9 m (12'10")	2.8 m (9'2") HD	3.2 m (10'6") HD	3.9 m (12'10") HD	2.55 m (8'4")
Hydraulic Hammers	H140 S	✓	✓	✓	✓	✓	✓	✓
	H160 S	✓	✓	✓	✓	✓	✓	✓
	H180 S	✓	✓*		✓*			✓*
Rotary Cutters	RC30	✓	✓	✓	✓	✓	✓	

### CAT PIN GRABBER COUPLER ATTACHMENTS *(continued)*

Undercarriage		Long Wide					
Counterweight		6.8 mt (15,000 lb)					
Boom Type		Reach			ME		
Stick Length		2.8 m (9'2")	3.2 m (10'6")	3.9 m (12'10")	2.55 m (8'4")		
Hydraulic Hammers	H140 S	✓	✓	✓	✓		
	H160 S	✓	✓	✓	✓		
	H180 S	✓*	✓*		✓*		
Rotary Cutters	RC30	✓	✓	✓	✓		

### CAT PIN GRABBER COUPLER ATTACHMENTS *(continued)*

Undercarriage		Long Wide						
Counterweight		7.56 mt (16,700 lb)						
Boom Type		Reach			Reach HD			ME
Stick Length		2.8 m (9'2")	3.2 m (10'6")	3.9 m (12'10")	2.8 m (9'2") HD	3.2 m (10'6") HD	3.9 m (12'10") HD	2.55 m (8'4")
Hydraulic Hammers	H140 S	✓	✓	✓	✓	✓	✓	✓
	H160 S	✓	✓	✓	✓	✓	✓	✓
	H180 S	✓	✓		✓	✓*		✓
Rotary Cutters	RC30	✓	✓	✓	✓	✓	✓	

*(continued on next page)*

# 340 Hydraulic Excavator Specifications

## Attachments Offering Guide *(continued)*

Not all Attachments are available in all regions. Consult your Cat dealer for configurations available in your region.

Match
  \* Working range front only
  No Match

### BOOM-MOUNT

Undercarriage		Long				
Counterweight		6.8 mt (15,000 lb)		7.56 mt (16,700 lb)		
Boom Type		Reach	ME	Reach	Reach HD	ME
Mobile Scrap and Demolition Shears	S2070	✓	✓	✓	✓	✓
	S2090	✓	✓	✓	✓	✓
	S3070-Flat Top	✓*		✓	✓	

### BOOM-MOUNT *(continued)*

Undercarriage		Long Wide				
Counterweight		6.8 mt (15,000 lb)		7.56 mt (16,700 lb)		
Boom Type		Reach	ME	Reach	Reach HD	ME
Mobile Scrap and Demolition Shears	S2070	✓	✓	✓	✓	✓
	S2090	✓	✓	✓	✓	✓
	S3070-Flat Top	✓		✓	✓	

# 340 Standard and Optional Equipment

## Standard and Optional Equipment

Standard and optional equipment may vary. Consult your Cat dealer for details.

	Standard	Optional		Standard	Optional
<b>BOOMS, STICKS AND LINKAGES</b>			<b>ELECTRICAL SYSTEM</b>		
6.18 m (20'3") Mass boom		✓	Maintenance-free 1,000 CCA batteries (×2)	✓	
6.5 m (21'4") Reach boom		✓	Centralized electrical disconnect switch	✓	
6.5 m (21'4") HD Reach boom		✓	LED exterior chassis and boom lights	✓	
2.55 m (8'4") Mass stick		✓	Premium surround working lights		✓
2.8 m (9'2") Reach stick		✓	<b>ENGINE</b>		
2.8 m (9'2") HD Reach stick		✓	3000 m (9,842 ft) altitude capability	✓	
3.2 m (10'6") Reach stick		✓	115 Amp alternator	✓	
3.2 m (10'6") HD Reach stick		✓	Cold start block heaters		✓
3.9 m (12'10") Reach stick		✓	Three selectable modes: Power, Smart, Eco	✓	
3.9 m (12'10") HD Reach stick		✓	Auto engine speed control	✓	
DB family bucket linkage without lifting eye		✓	52° C (126° F) high-ambient cooling	✓	
TB family bucket linkage without lifting eye		✓	Hydraulic reverse fan	✓	
<b>CAT TECHNOLOGY</b>			-18° C (0° F) cold start capability	✓	
VisionLink®**	✓		Double element air filter with integrated pre-cleaner	✓	
Remote Flash	✓		Dual stage four micron main filter	✓	
Remote Troubleshoot	✓		10 micron primary filter with water separator	✓	
Cat Grade connectivity		✓	Electric fuel priming pump	✓	
Compatibility with radios and base stations from Trimble, Topcon, and Leica	✓		Secure start with PIN code	✓	
Capability to install 3D grade systems from Trimble, Topcon, and Leica	✓		Remote disable	✓	
Cat Grade 2D	✓		<b>HYDRAULIC SYSTEM</b>		
Cat Grade 2D with Attachment Ready Option (ARO)		✓	Boom and stick regeneration circuit	✓	
Cat Grade with 3D single GNSS		✓	Electronic main control valve	✓	
Cat Grade with 3D dual GNSS		✓	Auto hydraulic oil warmup	✓	
Cat Assist:	✓		Bio hydraulic oil capability	✓	
– Grade Assist			Reverse swing damping valve	✓	
– Boom Assist			Auto swing parking brake	✓	
– Bucket Assist			High performance hydraulic return filter	✓	
– Swing Assist			Two speed travel	✓	
Cat Payload:	✓		Combined two-way auxiliary circuit		✓
– Static weigh			Combined two-way auxiliary circuit with hammer return filter		✓
– Semi-automatic calibration			Medium-pressure auxiliary circuit		✓
– Payload/cycle information			Quick coupler circuit for Cat Pin Grabber		✓
– USB reporting capability			Hydraulic efficiency monitoring		✓
Laser catcher		✓	<i>(continued on next page)</i>		
Work tool recognition (PL161)	✓				
Work tool tracking (PL161)	✓				
Cat Tilt Rotator (TRS) Integration		✓			
Operator Coaching		✓			

\*Connect subscription only. Additional subscriptions are available. Contact your Cat dealer for availability.

## Standard and Optional Equipment (continued)

Standard and optional equipment may vary. Consult your Cat dealer for details.

	Standard	Optional		Standard	Optional
<b>SAFETY AND SECURITY</b>			<b>SERVICE AND MAINTENANCE</b>		
Cat Command remote control		✓	Integrated vehicle health management system	✓	
2D E-Fence:	✓		Grouped engine oil and fuel filters	✓	
– E-ceiling			Scheduled Oil Sampling (S·O·S <sup>SM</sup> ) ports	✓	
– E-floor			<b>UNDERCARRIAGE AND STRUCTURES</b>		
– E-swing			Long undercarriage		✓
– E-wall			Long wide undercarriage		✓
– E-cab avoidance			Towing eye on base frame	✓	
Auto hammer stop	✓		Full-length track guiding guards		✓
Caterpillar One Key security system	✓		Center track guiding guards		✓
Lockable external tool/storage box	✓		Swivel guard	✓	
Lockable door, fuel, and hydraulic tank locks	✓		HD bottom guard	✓	
Lockable fuel drain compartment	✓		HD travel motor guards	✓	
Lockable disconnect switch	✓		Grease lubricated track	✓	
Service platform with anti-skid plate and recessed bolts	✓		6.8 mt (15,000 lb) counterweight		✓
Right Hand (RH) handrail and handhold	✓		7.56 mt (16,700 lb) counterweight		✓
Signaling/warning horn	✓		600 mm (24") double grouser track shoes		✓
Travel alarm		✓	700 mm (28") triple grouser track shoes		✓
Swing alarm		✓	800 mm (31") triple grouser track shoes		✓
Ground-level secondary engine shutoff switch	✓				
Rear and right-hand-sideview cameras	✓				
360° visibility		✓			
Operator Protective Guards		✓			
Inspection lighting		✓			

## 340 Attachments

### Dealer Installed Kits and Attachments

Attachments may vary. Consult your Cat dealer for details.

<p><b>CAB</b></p> <ul style="list-style-type: none"> <li>• Horizontal joystick sliders</li> <li>• Lower radial wiper</li> <li>• Left Hand (LH)/RH electrical pedal for tool control</li> <li>• Rain protector for front windshield and cab light cover</li> <li>• Polycarbonate roof hatch</li> </ul>	<p><b>ELECTRICAL</b></p> <ul style="list-style-type: none"> <li>• Premium surround working lights</li> </ul> <p><b>GUARDS</b></p> <ul style="list-style-type: none"> <li>• Side rubber bumper guard</li> <li>• Mesh guard full front</li> <li>• Mesh guard half front</li> <li>• Full protecting vandalism guard</li> </ul>	<p><b>SAFETY AND SECURITY</b></p> <ul style="list-style-type: none"> <li>• Bluetooth® receiver kit</li> <li>• Bluetooth key fob</li> <li>• Operator Protective Guards</li> <li>• P5A laminated glass</li> <li>• Cat Detect – People Detection</li> <li>• Cat Command – Remote control kit</li> </ul>
---	---	--

# 340 Cab Options

	Deluxe	Premium (2P)	Premium (1P)
ROPS	●	●	●
High-resolution 203 mm (8") LCD touchscreen monitor	●	X	X
High-resolution 254 mm (10") LCD touchscreen monitor	○	●	●
Auto bi-level air conditioner	●	●	●
Jog dial and shortcut keys for monitor control	●	●	●
Keyless push-to-start engine control	●	●	●
Height-adjustable console	●	●	●
Tilt-up left-side console	●	●	●
Heated air-suspension seat	●	X	X
Heated and ventilated air-suspension seat	X	●	●
51 mm (2") seat belt	●	●	●
Monitor integrated Bluetooth radio with USB/Auxiliary ports	●	●	●
12V DC outlets	●	●	●
Document storage	●	●	●
Overhead storage and rear storage with nets	●	●	●
Beverage holder	●	●	●
Cup holder	●	●	●
Openable two-piece front window	●	●	○
One piece front windshield	X	○	●
Rear window emergency exit	●	●	●
Radial wiper with washer	●	X	X
Parallel wiper	X	●	●
Openable polycarbonate skylight hatch	●	●	X
Laminated roof glass	X	X	●
LED dome light	●	●	●
Floor welcome light	●	●	●
Roof sunscreen	●	●	●
Roller front sunscreen	●	●	●
Roller rear sunscreen	○	●	●
Washable floor mat	●	●	●
Beacon ready	●	●	●
Cat Stick Steer	○	○	○
Auxiliary relay	○	○	○

- Standard
- Optional
- X Not available



The following information applies to the machine at the time of final manufacture as configured for sale in the regions covered in this document. The content of this declaration is valid as of the date issued; however, content related to machine features and specifications are subject to change without notice. For additional information, please see the machine's Operation and Maintenance Manual.

For more information on sustainability in action and our progress, please visit <https://www.caterpillar.com/en/company/sustainability>.

## Engine

- The Cat® C9.3B engine meets U.S. EPA Tier 4 Final, EU Stage V, and Japan 2014 emission standards,
- All Cat nonroad U.S. EPA Tier 4 Final, EU Stage V, Japan 2014, Korea Stage V, India CEV Stage V, and China Nonroad Stage IV diesel engines are required to use ULSD (ultra-low sulfur diesel with 15 ppm of sulfur or less) or ULSD blended with the following lower-carbon intensity fuels\*\* up to:
  - ✓ 20% biodiesel FAME (fatty acid methyl ester)\*
  - ✓ 100% renewable diesel, HVO (hydrotreated vegetable oil) and GTL (gas-to-liquid) fuels

Refer to guidelines for successful application. Please consult your Cat dealer or "Caterpillar Machine Fluids Recommendations" (SEBU6250) for details.

*\*Engines with no aftertreatment devices can use higher blends, up to 100% biodiesel.*

*\*\*Tailpipe greenhouse gas emissions from lower-carbon intensity fuels are essentially the same as traditional fuels.*

## Air Conditioning System

- The air conditioning system on this machine contains the fluorinated greenhouse gas refrigerant R134a (Global Warming Potential = 1430). The system contains 1.0 kg (2.2 lb) of refrigerant which has a CO<sub>2</sub> equivalent of 1.430 metric tonnes (1.576 tons).

## Paint

- Based on best available knowledge, the maximum allowable concentration, measured in parts per million (PPM), of the following heavy metals in paint are:
  - Barium < 0.01%
  - Cadmium < 0.01%
  - Chromium < 0.01%
  - Lead < 0.01%

## Sound Performance

ISO 6395:2008 (external) – 106 dB(A)

ISO 6396:2008 (inside cab) – 73 dB(A)

- Hearing protection may be needed when operating with an open operator station and cab (when not properly maintained or doors/windows open) for extended periods or in a noisy environment.

## Oils and Fluids

- Caterpillar factory fills with ethylene glycol coolants. Cat Diesel Engine Antifreeze/Coolant (DEAC) and Cat Extended Life Coolant (ELC) can be recycled. Consult your Cat dealer for more information.
- Cat Bio HYDO™ Advanced is an EU Ecolabel approved biodegradable hydraulic oil.
- Additional fluids are likely to be present, please consult the Operations and Maintenance Manual or the Application and Installation guide for complete fluid recommendations and maintenance intervals.

## Features and Technology

- The following features and technology may contribute to fuel savings and/or carbon reduction. Features may vary. Consult your Cat dealer for details.
  - Smart mode matches machine power to digging requirements automatically
  - Eco mode minimizes fuel consumption for light applications
  - One-touch low idle with automatic engine speed control
  - Available Cat technologies improve operator efficiency by up to 45%
  - Cut costs with extended maintenance intervals

For more complete information on Cat products, dealer services, and industry solutions, visit us on the web at [www.cat.com](http://www.cat.com)

© 2023 Caterpillar  
All rights reserved

Materials and specifications are subject to change without notice. Featured machines in photos may include additional equipment. See your Cat dealer for available options.

CAT, CATERPILLAR, LET'S DO THE WORK, their respective logos, "Caterpillar Corporate Yellow," the "Power Edge" and Cat "Modern Hex" trade dress as well as corporate and product identity used herein, are trademarks of Caterpillar and may not be used without permission. VisionLink is a trademark of Caterpillar Inc., registered in the United States and in other countries.

Based on the Labor, Safety and Health Laws in Japan, employer of small construction equipment are required to provide specific training for all operators on machines with machine weight less than 3 metric ton. For machines greater than 3 metric ton, operator needs to obtain operator license certification from a Government approved registered training school.

AEXQ3384-02 (11-2023)  
Replaces AEXQ3384-01  
Build Number: 08C  
(Japan)

