

# Cat<sup>®</sup> SE50 V

## Asphalt Screed

*The Cat<sup>®</sup> SE50 V screed with rear-mounted extenders provides stability, easy set-up, and a versatile paving range, making it the perfect match for urban streets, parking lots, rural roads, and many other mid-sized paving applications.*

### Application Versatility

- Common applications include parking lots, urban and rural roads, city streets, and highways
- The standard paving range of 2.55 m - 5 m (8' 4" - 16' 4") delivers excellent performance when changing paving widths for both urban and highway applications
- Simple, bolt-on extensions offer a maximum paving width of 6.5 m (21' 4")

### Simple Operation

- Operating displays can be tailored to specific language requirements with multiple options available
- Exclusive 2-speed, proportional extender control provides smooth adjustment when transitioning paving widths
- Screed operating consoles are equipped with ratio adjustment for the augers and conveyors, providing the ability to modify material flow
- Power controls for extender slope and height enables operators to quickly manage mat angles and surface textures
- Trailing edge screed plate adjusters help maintain an even plane across the width of the screed in order to enhance paving quality and extend screed plate life

### Smooth Material Flow

- Screed plate depths of 407 mm (16") on both the main and extenders provide stability and good mat textures
- The heated end gate option helps prevent material from sticking for better edge profiles and joint matching capability

### Pave Start Assistant

- Pave Start Assistant saves set-up profiles for repeatable use on future job sites, simply activate the profile for quick, single person setup
- Set-up preferences include: tow-point height, screed heat temperature, paving speed, paving width, paving depth, crown, extender slope and height, screed assist, and screed locking features
- Setup features are located in the left screed display and can also be viewed through the right screed display and tractor displays

# Cat® SE50 V Asphalt Screed

---

## Pendent Control (Option)

- Manual overrides and pause function capability for each auger and each conveyor are available to match changes in material flow requirements
- Power slope and height functions assist with profile
- Automatic Grade Control activation provides flexibility when working on the outer edge of the screed

## Cat® Grade Control (Option)

- Factory-integrated leveling system that helps remove irregularities from the surface and control mat thickness for increased production, lower operating costs, and higher profitability
- User-friendly system with text-based displays, split screen-mode, and on-the-go sensor selection
- Precise control driven by 10-point auto-calibration, true averaging with 5 transducers in each sonic sensor, and cross-coupling feature that maintains slope requirements more consistently when changing elevation

## Quick Heat, Even Distribution

- The tractor-integrated generator delivers 15 minute heat-up to 130° C (266° F) for quick starts
- Electric heating system with zone monitoring helps ensure even heat distribution and smooth asphalt textures while also allowing heating to continue in the event of a temperature sensor failure

## Cat Electronics

- Cat Electronic Control Modules (ECM) and ET compatibility simplifies diagnostics and trouble-shooting procedures

## Service and Repair Kits

- Paver and screed service and repair kits include all the parts necessary to complete specific repairs
- Cat genuine parts are manufactured to precise specifications and designed for optimal performance and maximum uptime
- Repair kits are identified by a single part number to make ordering easy
- Select kits are available to be packaged as a kit by the dealer for over-the-counter purchases or through the dealer service shop

## Standard and Optional Equipment

Standard and optional equipment may vary. Consult your Cat dealer for details.

	Standard	Optional
<b>OPERATING ENVIRONMENT</b>		
Pave Start Assistant		✓
Pendent control		✓
Umbrella		✓

<b>POWER CONTROLS</b>		
Crown	✓	
Extender slope	✓	
Extender height	✓	

<b>TECHNOLOGY</b>		
Cat® Grade Control		✓

<b>SERVICE AND MAINTENANCE</b>		
Service repair kits	✓	

<b>SAFETY</b>		
Horn – warning	✓	
Lights – roading		✓

	Standard	Optional
<b>MATERIAL DELIVERY</b>		
Cut-off shoe		✓
End gate – manual	✓	
End gate – power		✓
Heated end gate		✓
Extension – 250 mm (9.8")		✓
Extension – 750 mm (29.5")		✓
Safety edge shoe		✓
Straight shoe		✓
Thickness screws – clockwise	✓	
Wide shoe		✓

# Cat® SE50 V Asphalt Screed

## Technical Specifications

### Machine Weight

SE50 V screed	2900 kg	6393 lb
---------------	---------	---------

### Paving Range

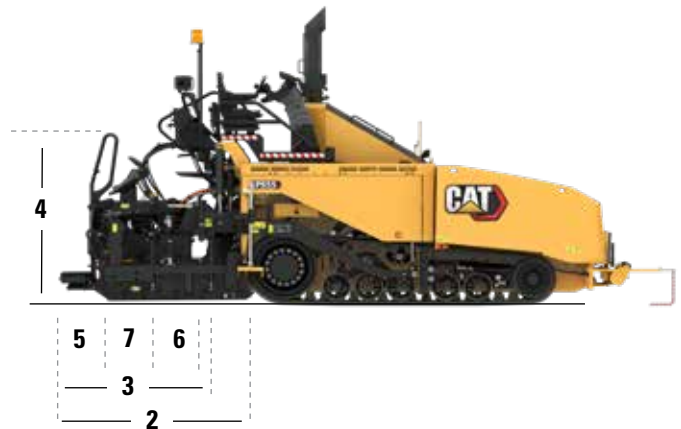
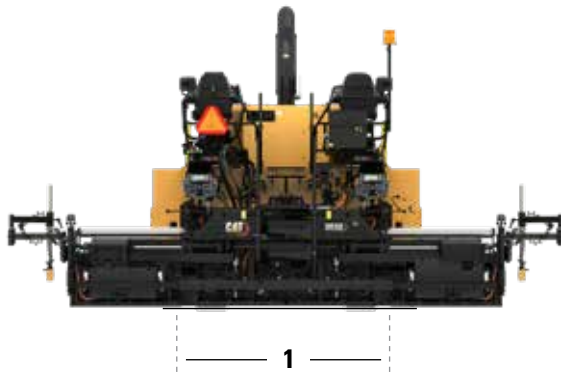
Standard range	2.55 m - 5 m	8' 4" - 16' 4"
Maximum width w/extensions	6.5 m	21' 4"
Maximum paving depth	305 mm	12"
Crown range	-4% to 10%	-25 mm to 64 mm -1" to 2.5"
Extender height range	+50 mm to -20 mm	(.8" to -1.2")
Extender slope range	-3% to 10%	-30 to 120 mm/m -.36"/ft to 1.2"/ft
Screed plate vibration	0-3000 rpm	

### Paver Compatibility

	SE50 V
AP600	X
AP655	X

### Dimensions

1	Standard width with end gates	2756 mm	109"
2	Length with end gates (front to back)	2346 mm	92"
3	Length without end gates (front to back)	1731 mm	68"
4	Height	2091 mm	82"
5	Walkway depth	323 mm	12.7"
6	Screed plate depth - main	407 mm	16"
7	Screed plate depth - extender	407 mm	16"
	Screed plate thickness	12.5 mm	0.5"



For more complete information on Cat products, dealer services, and industry solutions, visit us on the web at [www.cat.com](http://www.cat.com)

© 2022 Caterpillar  
All rights reserved

Materials and specifications are subject to change without notice. Featured machines in photos may include additional equipment. See your Cat dealer for available options.

CAT, CATERPILLAR, LET'S DO THE WORK, their respective logos, "Caterpillar Corporate Yellow," the "Power Edge" and Cat "Modern Hex" trade dress as well as corporate and product identity used herein, are trademarks of Caterpillar and may not be used without permission.

QEHQ2950-01 (4-2022)

