



Cat[®] SE60 V XW

Asphalt Screed

The Cat[®] SE60 V XW screed with rear-mounted extenders provides stability, easy set-up, and a versatile paving range, making it the perfect match for highways, interstates, airports, and many other high-production paving applications.

Application Versatility

- Common applications include large parking lots, highways, interstates, airports and many other high-production pay for performance applications
- The standard paving range of 3 m - 6 m (9' 10" - 19' 6") provides excellent performance when changing paving widths for both urban and highway paving applications
- Simple, bolt-on extensions offer a maximum paving width of 10 m (32' 10")

Simple Operation

- Operating displays can be tailored to specific language requirements with multiple options available
- Exclusive 2-speed, proportional extender control provides smooth adjustment when transitioning paving widths
- Screed operating consoles are equipped with ratio adjustment for the augers and conveyors, providing the ability to modify material flow
- Power controls for extender slope and height enables operators to quickly manage mat angles and surface textures
- Trailing edge screed plate adjusters help maintain an even plane across the width of the screed in order to enhance paving quality and extend screed plate life

Smooth Material Flow

- Screed plate depths of 407 mm (16") on both the main and extenders provide stability and good mat textures
- The heated end gate option helps prevent material from sticking for better edge profiles and joint matching capability

Pave Start Assistant

- Pave Start Assistant saves set-up profiles for repeatable use on future job sites, simply activate the profile for quick, single person setup
- Set-up preferences include: tow-point height, screed heat temperature, paving speed, paving width, paving depth, crown, extender slope and height, screed assist, and screed locking features
- Setup features are located in the left screed display and can also be viewed through the right screed display and tractor displays

Cat® SE60 V XW Asphalt Screed

Pendent Control (Option)

- Manual overrides and pause function capability for each auger and each conveyor are available to match changes in material flow requirements
- Power slope and height functions assist with profile
- Automatic Grade Control activation provides flexibility when working on the outer edge of the screed

Cat® Grade Control (Option)

- Factory-integrated leveling system that helps remove irregularities from the surface and control mat thickness for increased production, lower operating costs, and higher profitability
- User-friendly system with text-based displays, split screen-mode, and on-the-go sensor selection
- Precise control driven by 10-point auto-calibration, true averaging with 5 transducers in each sonic sensor, and cross-coupling feature that maintains slope requirements more consistently when changing elevation

Quick Heat, Even Distribution

- Tractor integrated generator delivers fast, 15-minute screed plate heating for quick starts
- Heat-up time in as little as 25 minutes when equipped with the 10 m (32' 10") extension package
- Electric heating system with zone monitoring helps ensure even heat distribution and smooth asphalt textures while also allowing heating to continue in the event of a temperature sensor failure

Cat Electronics

- Cat Electronic Control Modules (ECM) and ET compatibility simplifies diagnostics and trouble-shooting procedures

Service and Repair Kits

- Paver and screed service and repair kits include the parts necessary to complete specific repairs
- Cat genuine parts are manufactured to precise specifications and designed for optimal performance and maximum uptime
- Repair kits are identified by a single part number to make ordering easy
- Select kits are available to be packaged as a kit by the dealer for over-the-counter purchases or through the dealer service shop

Standard and Optional Equipment

Standard and optional equipment may vary. Consult your Cat dealer for details.

| | Standard | Optional |
|--------------------------------|----------|----------|
| OPERATING ENVIRONMENT | | |
| Pave Start Assistant | | ✓ |
| Pendent control | | ✓ |
| Umbrella | | ✓ |
| POWER CONTROLS | | |
| Crown | ✓ | |
| Extender slope | ✓ | |
| Extender height | ✓ | |
| TECHNOLOGY | | |
| Cat® Grade Control | | ✓ |
| SERVICE AND MAINTENANCE | | |
| Service repair kits | ✓ | |
| SAFETY | | |
| Horn – warning | ✓ | |
| Lights – Roading | | ✓ |

| | Standard | Optional |
|------------------------------|----------|----------|
| MATERIAL DELIVERY | | |
| Cut-off shoe | | ✓ |
| Drop arm spacer | | ✓ |
| End gate – manual | ✓ | |
| End gate – power | | ✓ |
| Heated end gate | | ✓ |
| Extension – 250 mm (9.8") | | ✓ |
| Extension – 750 mm (29.5") | | ✓ |
| Extension – 1250 mm (49") | | ✓ |
| Safety edge shoe | | ✓ |
| Straight shoe | | ✓ |
| Thickness screws – clockwise | ✓ | |
| Wide shoe | | ✓ |

Cat® SE60 V XW Asphalt Screed

Technical Specifications

Machine Weight

| | | |
|------------------|---------|----------|
| SE60 V XW screed | 4225 kg | 9,314 lb |
|------------------|---------|----------|

Paving Range

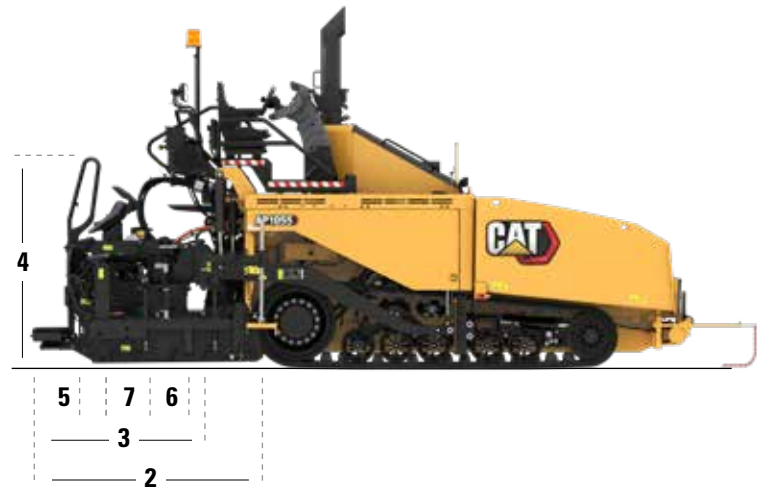
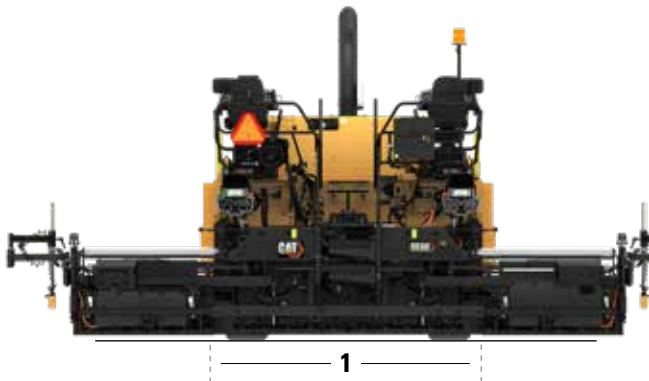
| | | |
|----------------------------|------------------|--------------------------------------|
| Standard range | 3 m - 6 m | 9' 10" - 19' 6" |
| Maximum width w/extensions | 10 m | 32' 10" |
| Maximum paving depth | 305 mm | 12" |
| Crown range – total | -3% to 10% | -22 mm to 75 mm -1.2" to 3" |
| Extender height range | +50 mm to -20 mm | (2" to -.8") |
| Extender slope range | -3% to 5% | -30 to 50 mm/m -.36"/ft to .6"/ft |
| Screed plate vibration | 0-3000 rpm | |

Paver Compatibility

| | SE60 V XW |
|--------|-----------|
| AP655 | X |
| AP1000 | X |
| AP1055 | X |

Dimensions

| | | | |
|---|--|---------|--------|
| 1 | Standard width with end gates | 3211 mm | 10' 6" |
| 2 | Length with end gates (front to back) | 2500 mm | 8' 2" |
| 3 | Length without end gates (front to back) | 1940 mm | 76" |
| 4 | Height | 2302 mm | 91" |
| 5 | Walkway depth | 323 mm | 12.7" |
| 6 | Screed plate depth - main | 407 mm | 16" |
| 7 | Screed plate depth - extender | 407 mm | 16" |
| | Screed plate thickness | 13 mm | 0.5" |



For more complete information on Cat products, dealer services, and industry solutions, visit us on the web at www.cat.com

© 2022 Caterpillar
All rights reserved

Materials and specifications are subject to change without notice. Featured machines in photos may include additional equipment. See your Cat dealer for available options.

CAT, CATERPILLAR, LET'S DO THE WORK, their respective logos, "Caterpillar Corporate Yellow," the "Power Edge" and Cat "Modern Hex" trade dress as well as corporate and product identity used herein, are trademarks of Caterpillar and may not be used without permission.

QEHQ2954-01 (4-2022)

