



Cat[®] SE60 VT XW Asphalt Screed

The Cat[®] SE60 VT XW screed is equipped with tamper bars and rear-mounted extenders that deliver smooth material flow and increased mat density. Stability, easy set-up, and a versatile paving range make it the perfect match for air-ports, interstates, highways, and many other high-production paving applications.

Application Versatility

- Common applications include airports, highways, interstates, and other mainline, wide-width job sites
- The standard paving range of 3 m - 6 m (9' 10" - 19' 6") provides excellent performance when changing paving widths for both urban and highway paving applications
- Simple, bolt-on extensions offer a maximum paving width of 10 m (32' 10")

Simple Operation

- Operating displays can be tailored to specific language requirements with multiple options available
- Exclusive 2-speed, proportional extender control provides smooth adjustment when transitioning paving widths
- Screed operating consoles are equipped with ratio adjustment for the augers and conveyors, providing the ability to modify material flow
- Power controls for extender slope and height enables operators to quickly manage mat angles and surface textures
- Trailing edge screed plate adjusters help maintain an even plane across the width of the screed in order to enhance paving quality and extend screed plate life

Smooth Material Flow

- Enhanced tamper-bar and deflector profiles provide smooth flow to the screed plates
- Screed plate depths of 407 mm (16") on both the main and extenders provide stability and good mat textures
- The heated endgate option helps prevent material from sticking for better edge profiles and joint matching capability

Pave Start Assistant

- Pave Start Assistant saves set-up profiles for repeatable use on future job sites, simply activate the profile for quick, single person setup
- Set-up preferences include: tamper speed, tow-point height, screed heat temperature, paving speed, paving width, paving depth, crown, extender slope and height, screed assist, and screed locking features
- Setup features are located in the left screed display and can also be viewed through the right screed display and tractor displays

Cat® SE60 VT XW Asphalt Screed

Pendent Control (Option)

- Manual overrides and pause function capability for each auger and each conveyor are available to match changes in material flow requirements
- Power slope and height functions assist with profile
- Automatic Grade Control activation provides flexibility when working on the outer edge of the screed

Cat® Grade Control (Option)

- Factory-integrated leveling system that helps remove irregularities from the surface and control mat thickness for increased production, lower operating costs, and higher profitability
- User-friendly system with text-based displays, split screen-mode, and on-the-go sensor selection
- Precise control driven by 10-point auto-calibration, true averaging with 5 transducers in each sonic sensor, and cross-coupling feature that maintains slope requirements more consistently when changing elevation

Quick Heat, Even Distribution

- Tractor integrated generator delivers fast, 15-minute screed plate heating for quick starts
- Heat-up time in as little as 25 minutes when equipped with the 10 m (32' 10") extension package
- Electric heating system with zone monitoring helps ensure even heat distribution and smooth asphalt textures while also allowing heating to continue in the event of a temperature sensor failure

Cat Electronics

- Cat Electronic Control Modules (ECM) and ET compatibility simplifies diagnostics and trouble-shooting procedures

Service and Repair Kits

- Paver and screed service and repair kits include the parts necessary to complete specific repairs
- Cat genuine parts are manufactured to precise specifications and designed for optimal performance and maximum uptime
- Repair kits are identified by a single part number to make ordering easy
- Select kits are available to be packaged as a kit by the dealer for over-the-counter purchases or through the dealer service shop

Standard and Optional Equipment

Standard and optional equipment may vary. Consult your Cat dealer for details.

	Standard	Optional		Standard	Optional
OPERATING ENVIRONMENT			MATERIAL DELIVERY		
Pave start assistant		✓	Drop arm spacer		✓
Pendent control		✓	Endgate – manual	✓	
Umbrella		✓	Endgate – power		✓
Visors		✓	Extension packages		✓
POWER CONTROLS			Folding endgate		✓
Crown	✓		Heated endgate		✓
Extender slope	✓		Shoe – cut-off		✓
Extender height	✓		Shoe – edge		✓
TECHNOLOGY			Shoe – safety edge		✓
Cat® Grade Control		✓	Shoe – wide		✓
SERVICE AND MAINTENANCE			Thickness screws	✓	
Service repair kits	✓				
SAFETY					
Horn – warning	✓				
Lights – roading		✓			

Cat® SE60 VT XW Asphalt Screed

Technical Specifications

Machine Weight

SE60 VT XW screed	4660 kg	10,273 lb
-------------------	---------	-----------

Paving Range

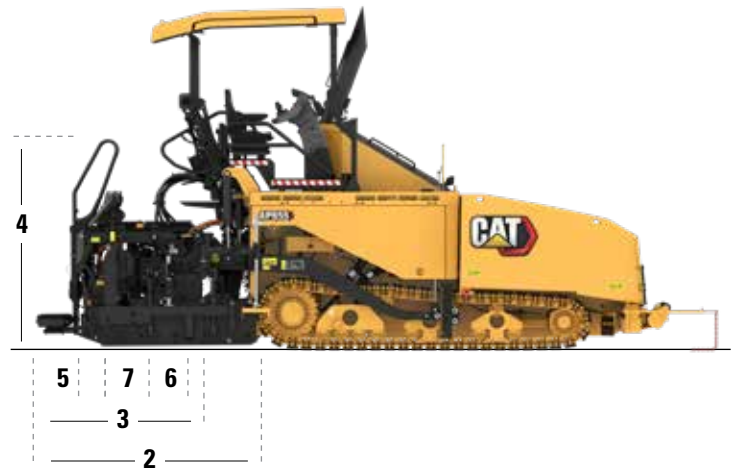
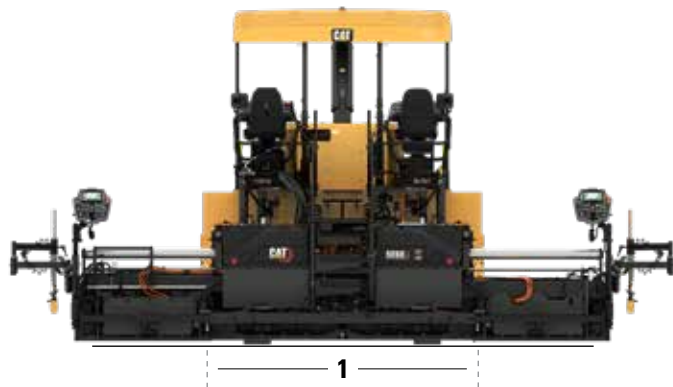
Standard range	3 m - 6 m	9' 10" - 19' 6"
Maximum width w/extensions	10 m	32' 10"
Maximum paving depth	305 mm	12"
Crown range	+5% to -1.5% per side	
Extender height range	+50 mm to -20 mm	
Extender slope range	+5% to -3%	
Tamper bar amplitude	2 mm, 4mm, 7 mm	
Tamper bar speed	0-1800 rpm	
Screed plate vibration	0-3000 rpm	

Paver Compatibility

	SE60 VT XW
AP655	X
AP655 L	X
AP1055	X

Dimensions

1	Standard width with end gates	3234 mm	127"
2	Length with end gates (front to back)	2505 mm	99"
3	Length without end gates (front to back)	1940 mm	76"
4	Height	2301 mm	91"
5	Walkway depth	323 mm	12.7"
6	Screed plate depth - main	407 mm	16"
7	Screed plate depth - extender	407 mm	16"
	Screed plate thickness	13 mm	0.5"



For more complete information on Cat products, dealer services, and industry solutions, visit us on the web at www.cat.com

© 2022 Caterpillar
All rights reserved

Materials and specifications are subject to change without notice. Featured machines in photos may include additional equipment. See your Cat dealer for available options.

CAT, CATERPILLAR, LET'S DO THE WORK, their respective logos, "Caterpillar Corporate Yellow," the "Power Edge" and Cat "Modern Hex" trade dress as well as corporate and product identity used herein, are trademarks of Caterpillar and may not be used without permission.

QEHQ2955-01 (4-2022)

