



Cat® Pulverizers

Primary and Secondary

Technical Specifications

Not all attachments are available in all regions. Consult your Cat® dealer for specific configurations available in your region.

Table of Contents

Specifications						2					
Hydraulic Requirements						2					
Dimensions						3					
Matching						4					
318E	4	323F	13	330F	35	336 GC	53	349F XE	68	M322F	81
318F	4	323 GC	15	330 GC	37	336	55	349	69	M322D2 MH	81
320D2 GC	4	323	16	330	39	340D2	59	352F	69	M324D2 MH	81
320D2	4	324E	20	335F CR	41	340F	59	352F XE	70	MH3022	82
320E	5	325F CR	21	335	42	340F UHD	61	352	70	MH3024	83
320E RR	6	325	23	336D2 GC	44	340	63	352 UHD	71	MH3026	85
320F	7	326D2	26	336D2	45	340 UHD	64	M318F	72		
320 GC	8	326F	26	336D2 XE	45	345 GC	66	M320D2	73		
320	9	326	29	336E	46	349D2	67	M320F	73		
323D2	10	329E	32	336F	48	349E	67	M320	74		
323E	11	330D2	34	336F XE	50	349F	68	M322D2	79		

Pulverizer Technical Specifications

Specifications

Model	Part No.	Cycle Time		Cutting/Crushing Forces						Recommended Carrier Weights			
		Open	Close	at rebar blade		at primary tooth		at tip		Minimum		Maximum	
		s	s	kN	st	kN	st	kN	st	kg	lb	kg	lb
P318 Primary Pulverizer	591-8124	1.6	1	2740	308	1120	126	795	89	18000	39700	25000	55100
P324 Primary Pulverizer	591-8125	1.8	1.2	3965	446	1620	182	1175	132	24000	52900	35000	77200
P332 Primary Pulverizer	591-2094	1.9	1.3	5010	563	1910	215	1440	162	32000	70500	50000	110200
P218 Secondary Pulverizer	586-9549	1.8	1.2	3125	351	1710	192	955	107	18000	39700	25000	55100
P224 Secondary Pulverizer	583-6803	1.9	1.3	3640	409	1990	224	1145	129	24000	52900	35000	77200
P232 Secondary Pulverizer	584-9938	1.9	1.4	4265	479	2240	252	1360	153	32000	70500	50000	110200

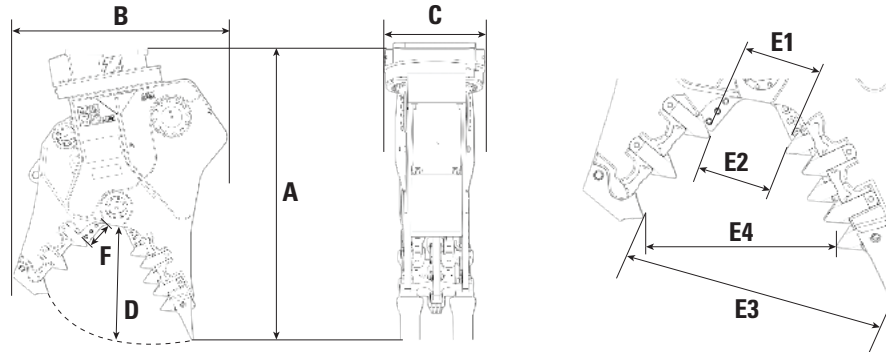
Hydraulic Requirements

Model	Part Number	Jaw Circuit				Rotator Circuit			
		Max. Operating Pressure		Max. Oil Flow		Max. Operating Pressure		Max. Oil Flow	
		kPa	psi	L/min	gpm	kPa	psi	L/min	gpm
P318 Primary Pulverizer	591-8124	35000	5076	150	40	14000	2031	40	11
P324 Primary Pulverizer	591-8125	35000	5076	225	59	14000	2031	40	11
P332 Primary Pulverizer	591-2094	35000	5076	280	74	16000	2321	40	11
P218 Secondary Pulverizer	586-9549	35000	5076	225	59				
P224 Secondary Pulverizer	583-6803	35000	5076	280	74				
P232 Secondary Pulverizer	584-9938	35000	5076	360	95				

Pulverizer Technical Specifications

Dimensions

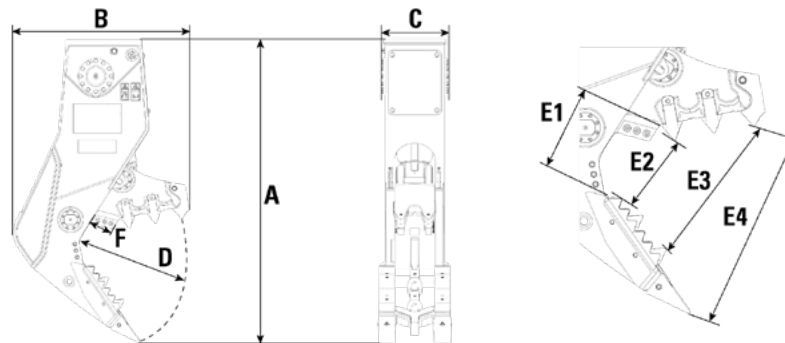
Primary Pulverizer



Model	Part No.	(A) Overall Length		(B) Height		(C) Width		(D) Jaw Depth		(F) Cutter Length	
		mm	in	mm	in	mm	in	mm	in	mm	in
P318 Primary Pulverizer	591-8124	2125	83.7	1525	60.0	790	31.1	660	26.0	150	5.9
P324 Primary Pulverizer	591-8125	2305	90.7	1700	66.9	790	31.1	730	28.7	200	7.9
P332 Primary Pulverizer	591-2094	2350	92.5	2005	78.9	1005	39.6	820	32.3	200	7.9

Model	Part No.	Jaw Opening								Fixed Jaw Width		Moving Jaw Width		Weight	
		(E1) at primary cutter		(E2) at secondary tooth		(E3) at tip		(E4) at outer teeth		mm	in	mm	in	kg	lb
		mm	in	mm	in	mm	in	mm	in						
P318 Primary Pulverizer	591-8124	310	12.2	305	12.0	1085	42.7	825	32.5	620	24.4	335	13.2	2080	4586
P324 Primary Pulverizer	591-8125	375	14.8	360	14.2	1210	47.6	910	35.8	640	25.2	380	15.0	2755	6074
P332 Primary Pulverizer	591-2094	395	15.6	465	18.3	1315	51.8	1015	40.0	660	26.0	380	15.0	3325	7330

Secondary Pulverizer



Model	Part No.	(A) Overall Length		(B) Height		(C) Width		(D) Jaw Depth		(F) Cutter Length	
		mm	in	mm	in	mm	in	mm	in	mm	in
P218 Secondary Pulverizer	586-9549	2465	97.0	1450	57.1	620	24.4	770	30.3	150	5.9
P224 Secondary Pulverizer	583-6803	2725	107.3	1585	62.4	660	26.0	845	33.3	200	7.9
P232 Secondary Pulverizer	584-9938	2995	117.9	1755	69.1	670	26.4	930	36.6	200	7.9

Model	Part No.	Jaw Opening								Fixed Jaw Width		Moving Jaw Width		Weight	
		(E1) at primary cutter		(E2) at secondary tooth		(E3) at tip		(E4) at outer teeth		mm	in	mm	in	kg	lb
		mm	in	mm	in	mm	in	mm	in						
P218 Secondary Pulverizer	586-9549	340	13.4	420	16.5	1070	42.1	825	32.5	620	24.4	335	13.2	2000	4409
P224 Secondary Pulverizer	583-6803	405	15.9	475	18.7	1175	46.3	900	35.4	660	26.0	380	15.0	2700	5952
P232 Secondary Pulverizer	584-9938	445	17.5	575	22.6	1280	50.4	1005	39.6	670	26.4	380	15.0	3460	7628

Pulverizer Technical Specifications

Matching – Tracked Excavators

 Match

 Working Range Front Only

 No Match

318E

Pin-on

Undercarriage	L	
Counterweight	—	
Stick Length	2.25 m (7'5")	2.60 m (8'6")
P218 Secondary Pulverizer	✓*	✓*
P318 Primary Pulverizer	✓*	✓*

318F

Pin-on

Undercarriage	L	
Counterweight	—	
Boom Type	Reach	
Stick Length	2.25 m (7'5")	2.90 m (9'6")
P218 Secondary Pulverizer	✓	✓*
P318 Primary Pulverizer	✓	✓*

S60 Dedicated Coupler

Undercarriage	L
Counterweight	—
Boom Type	Reach
Stick Length	2.25 m (7'5")
P218	✓*
P318	✓*

320D2 GC

Pin-on

Undercarriage	—	
Counterweight	—	
Boom Type	Reach	
Stick Length	2.50 m (8'2")	2.92 m (9'7")
P218 Secondary Pulverizer	✓	✓*
P318 Primary Pulverizer	✓	✓*

320D2

Pin-on

Undercarriage	—	L	
Counterweight	—	—	
Boom Type	Reach HD	Reach HD	
Stick Length	2.50 m HD (8'2")	2.50 m HD (8'2")	2.92 m HD (9'7")
P218 Secondary Pulverizer	✓*	✓	✓
P318 Primary Pulverizer	✓*	✓	✓

(continued on next page)

Pulverizer Technical Specifications

Matching – Tracked Excavators *(continued)*

 Match

 * Working Range Front Only

 No Match

320D2 *(continued)*

Cat Pin Grabber Coupler

Undercarriage	L
Counterweight	—
Boom Type	Reach HD
Stick Length	2.50 m HD (8'2")
P218	✓*

CS-40 S Dedicated Coupler

Undercarriage	L	
Counterweight	—	
Boom Type	Reach HD	
Stick Length	2.50 m HD (8'2")	2.92 m HD (9'7")
P218	✓	✓*
P318	✓	✓*

CW-40 Dedicated Coupler

Undercarriage	L	
Counterweight	—	
Boom Type	Reach HD	
Stick Length	2.50 m HD (8'2")	2.92 m HD (9'7")
P218	✓	✓*
P318	✓	✓*

320E

Pin-on

Undercarriage	L						
Counterweight	—						
Boom Type	Reach		Reach HD		Reach ES	VA	
Stick Length	2.50 m (8'2")	2.92 m (9'7")	2.92 m HD (9'7")	2.92 m ES (9'7")	2.92 m ES (9'7")	2.50 m (8'2")	2.50 m HD (8'2")
P218 Secondary Pulverizer	✓	✓	✓	✓	✓	✓	✓
P318 Primary Pulverizer	✓	✓	✓	✓	✓	✓	✓

Pin On *(continued)*

Undercarriage	LN		
Counterweight	—		
Boom Type	Reach HD		VA
Stick Length	2.50 m HD (8'2")	1.90 m (6'3")	2.50 m HD (8'2")
P218 Secondary Pulverizer	✓	✓	✓*
P318 Primary Pulverizer	✓	✓	

(continued on next page)

Pulverizer Technical Specifications

Matching – Tracked Excavators *(continued)*

 Match

 * Working Range Front Only

 No Match

320E *(continued)*

Cat Pin Grabber Coupler

Undercarriage	L					
Counterweight	—					
Boom Type	Reach HD		Reach		VA	Reach ES
Stick Length	2.92 m HD (9'7")	2.92 m ES (9'7")	2.50 m (8'2")	2.92 m (9'7")	2.50 m (8'2")	2.92 m ES (9'7")
P218	✓	✓	✓	✓*	✓	✓*
P318	✓	✓	✓	✓*	✓	

CS-40 S Dedicated Coupler

Undercarriage	L				LN
Counterweight	—				—
Boom Type	Reach		VA		Reach HD
Stick Length	2.50 m (8'2")	2.92 m (9'7")	2.50 m (8'2")	2.50 m HD (8'2")	2.50 m HD (8'2")
P218	✓	✓	✓	✓*	✓*
P318	✓	✓	✓	✓*	✓*

CW-40 Dedicated Coupler

Undercarriage	L				LN	
Counterweight	—				—	
Boom Type	Reach		VA		Reach HD	
Stick Length	2.50 m (8'2")	2.92 m (9'7")	2.50 m (8'2")	2.50 m HD (8'2")	2.50 m HD (8'2")	1.90 m (6'3")
P218	✓	✓	✓	✓*	✓*	✓
P318	✓	✓	✓	✓*	✓*	✓

320E RR

Pin-on

Undercarriage	L					
Counterweight	6.2 mt			6.9 mt		
Boom Type	Reach	Reach HD	Reach ES	Reach	Reach HD	Reach ES
Stick Length	2.92 m HD (9'7")	2.92 m HD (9'7")	2.92 m ES (9'7")	2.92 m HD (9'7")	2.92 m HD (9'7")	2.92 m ES (9'7")
P218 Secondary Pulverizer	✓	✓	✓	✓	✓	✓
P318 Primary Pulverizer	✓	✓	✓	✓	✓	✓

Cat Pin Grabber Coupler

Undercarriage	L					
Counterweight	6.2 mt			6.9 mt		
Boom Type	Reach HD	Reach	Reach ES	Reach HD	Reach	Reach ES
Stick Length	2.92 m HD (9'7")	2.92 m HD (9'7")	2.92 m ES (9'7")	2.92 m HD (9'7")	2.92 m HD (9'7")	2.92 m ES (9'7")
P218	✓	✓	✓	✓	✓	✓
P318	✓	✓	✓	✓	✓	✓

(continued on next page)

Pulverizer Technical Specifications

Matching – Tracked Excavators *(continued)*

 Match

 Working Range Front Only

 No Match

320E RR *(continued)*

CS-40 S Dedicated Coupler

Undercarriage	L			
Counterweight	6.2 mt		6.9 mt	
Boom Type	Reach	Reach ES	Reach	Reach ES
Stick Length	2.92 m HD (9'7")	2.92 m ES (9'7")	2.92 m HD (9'7")	2.92 m ES (9'7")
P218	✓	✓	✓	✓
P318	✓	✓	✓	✓

CW-40 Dedicated Coupler

Undercarriage	L			
Counterweight	6.2 mt		6.9 mt	
Boom Type	Reach	Reach ES	Reach	Reach ES
Stick Length	2.92 m HD (9'7")	2.92 m ES (9'7")	2.92 m HD (9'7")	2.92 m ES (9'7")
P218	✓	✓	✓	✓
P318	✓	✓	✓	✓

320F

Pin-on

Undercarriage	L				
Counterweight	—				
Boom Type	Reach	Reach		VA	
Stick Length	2.92 m HD (9'7")	2.50 m HD (8'2")	2.92 m HD (9'7")	2.50 m HD (8'2")	2.92 m HD (9'7")
P218 Secondary Pulverizer	✓	✓	✓	✓	✓
P318 Primary Pulverizer	✓*	✓	✓	✓	✓

Cat Pin Grabber Coupler

Undercarriage	L		
Counterweight	—		
Boom Type	Reach		VA
Stick Length	2.50 m HD (8'2")	2.92 m HD (9'7")	2.50 m HD (8'2")
P218	✓	✓*	✓*
P318	✓	✓*	

CS-40 S Dedicated Coupler

Undercarriage	L			
Counterweight	—			
Boom Type	Reach		VA	
Stick Length	2.50 m HD (8'2")	2.92 m HD (9'7")	2.50 m HD (8'2")	2.92 m HD (9'7")
P218	✓	✓	✓	✓*
P318	✓	✓	✓	✓*

(continued on next page)

Pulverizer Technical Specifications

Matching – Tracked Excavators *(continued)*

 Match

 Working Range Front Only

 No Match

320F *(continued)*

CW-40 Dedicated Coupler

Undercarriage	L			
Counterweight	—			
Boom Type	Reach		VA	
Stick Length	2.50 m HD (8'2")	2.92 m HD (9'7")	2.50 m HD (8'2")	2.92 m HD (9'7")
P218	✓	✓	✓	✓*
P318	✓	✓	✓	✓*

S70 Dedicated Coupler

Undercarriage	L			
Counterweight	—			
Boom Type	Reach		VA	
Stick Length	2.50 m HD (8'2")	2.92 m HD (9'7")	2.50 m HD (8'2")	2.92 m HD (9'7")
P218	✓	✓	✓*	✓*
P318	✓	✓*	✓*	

HCS70 Dedicated Coupler

Undercarriage	L		
Counterweight	—		
Boom Type	Reach	Reach	VA
Stick Length	2.50 m HD (8'2")	2.92 m HD (9'7")	2.50 m HD (8'2")
P218	✓	✓*	✓*
P318	✓*		

320 GC

Pin-on

Undercarriage	—				L			
Counterweight	3.7 mt		4.2 mt		3.7 mt		4.2 mt	
Boom Type	Reach		Reach	Reach	Reach	Reach	Reach	Reach
Stick Length	2.50 m (8'2")	2.92 m (9'7")	2.50 m (8'2")	2.92 m (9'7")	2.50 m (8'2")	2.92 m (9'7")	2.50 m (8'2")	2.92 m (9'7")
P218 Secondary Pulverizer	✓	✓*	✓	✓	✓	✓	✓	✓
P318 Primary Pulverizer	✓	✓*	✓	✓	✓	✓	✓	✓

Pin-on *(continued)*

Undercarriage	LN			
Counterweight	3.9 mt		4.55 mt	
Boom Type	Reach		Reach	
Stick Length	2.50 m (8'2")	2.92 m (9'7")	2.50 m (8'2")	2.92 m (9'7")
P218 Secondary Pulverizer	✓	✓*	✓	✓
P318 Primary Pulverizer	✓	✓*	✓	✓

Cat Pin Grabber Coupler

Undercarriage	—	L			LN
Counterweight	4.2 mt	3.7 mt	4.2 mt	4.2 mt	4.55 mt
Boom Type	Reach	Reach	Reach	Reach	Reach
Stick Length	2.50 m (8'2")	2.50 m (8'2")	2.50 m (8'2")	2.92 m (9'7")	2.50 m (8'2")
P218	✓*	✓*	✓	✓	✓*
P318	✓*	✓*	✓	✓	✓*

(continued on next page)

Pulverizer Technical Specifications

Matching – Tracked Excavators *(continued)*

 Match

 Working Range Front Only

 No Match

320 GC *(continued)*

CS-40 S Dedicated Coupler

Undercarriage	—		L				LN	
Counterweight	4.2 mt		3.7 mt		4.2 mt		4.55 mt	
Boom Type	Reach		Reach		Reach		Reach	
Stick Length	2.50 m (8'2")	2.92 m (9'7")	2.50 m (8'2")	2.92 m (9'7")	2.50 m (8'2")	2.92 m (9'7")	2.50 m (8'2")	2.92 m (9'7")
P218	✓	✓*	✓	✓	✓	✓	✓	✓*
P318	✓	✓*	✓	✓*	✓	✓	✓	✓*

CW-40 Dedicated Coupler

Undercarriage	—		L		LN	
Counterweight	3.7 mt		4.2 mt		4.55 mt	
Boom Type	Reach		Reach		Reach	
Stick Length	2.50 m (8'2")	2.92 m (9'7")	2.50 m (8'2")	2.92 m (9'7")	2.50 m (8'2")	2.92 m (9'7")
P218	✓	✓	✓	✓*	✓	✓*
P318	✓	✓*	✓	✓*	✓	✓*

S70 Dedicated Coupler

Undercarriage	—		L		LN	
Counterweight	3.7 mt		4.2 mt		4.55 mt	
Boom Type	Reach		Reach		Reach	
Stick Length	2.50 m (8'2")	2.92 m (9'7")	2.50 m (8'2")	2.92 m (9'7")	2.50 m (8'2")	2.92 m (9'7")
P218	✓	✓*	✓	✓	✓	✓*
P318	✓	✓*	✓	✓	✓	

HCS70 Dedicated Coupler

Undercarriage	—		L		LN	
Counterweight	4.2 mt		4.2 mt		4.55 mt	
Boom Type	Reach		Reach		Reach	
Stick Length	2.50 m (8'2")		2.50 m (8'2")	2.92 m (9'7")	2.50 m (8'2")	
P218	✓*		✓	✓	✓*	
P318	✓*		✓	✓	✓*	

320

Pin-on

Undercarriage	L							
Counterweight	3.7 mt		4.2 mt					
Boom Type	Reach HD		Reach HD		Reach		VA	
Stick Length	2.50 m HD (8'2")	2.92 m HD (9'7")	2.50 m HD (8'2")	2.92 m HD (9'7")	2.50 m (8'2")	2.92 m (9'7")	2.50 m (8'2")	2.92 m (9'7")
P218 Secondary Pulverizer	✓	✓	✓	✓	✓	✓	✓	✓
P318 Primary Pulverizer	✓	✓	✓	✓	✓	✓	✓	✓

Pin-on *(continued)*

Undercarriage	L
Counterweight	4.7 mt
Boom Type	Reach
Stick Length	2.92 m TR (9'7")
P218 Secondary Pulverizer	✓
P318 Primary Pulverizer	✓

(continued on next page)

Pulverizer Technical Specifications

Matching – Tracked Excavators *(continued)*

 Match

 Working Range Front Only

 No Match

320 *(continued)*

Cat Pin Grabber Coupler

Undercarriage	L					
Counterweight	3.7 mt		4.2 mt			
Boom Type	Reach HD		Reach HD		Reach	
Stick Length	2.50 m HD (8'2")	2.50 m HD (8'2")	2.92 m HD (9'7")	2.50 m (8'2")	2.92 m (9'7")	VA
P218	✓*	✓	✓*	✓	✓	✓
P318	✓*	✓	✓*	✓	✓	✓

CS-40 S Dedicated Coupler

Undercarriage	L						
Counterweight	3.7 mt			4.2 mt			
Boom Type	Reach HD		Reach		Reach HD		VA
Stick Length	2.50 m HD (8'2")	2.92 m HD (9'7")	2.50 m (8'2")	2.92 m (9'7")	2.50 m HD (8'2")	2.92 m HD (9'7")	2.50 m (8'2")
P218	✓	✓*	✓	✓	✓	✓	✓*
P318	✓	✓*	✓	✓	✓	✓	✓*

CW-40 Dedicated Coupler

Undercarriage	L						
Counterweight	3.7 mt			4.2 mt			
Boom Type	Reach HD		Reach		Reach HD		VA
Stick Length	2.50 m HD (8'2")	2.92 m HD (9'7")	2.50 m (8'2")	2.92 m (9'7")	2.50 m HD (8'2")	2.92 m HD (9'7")	2.50 m (8'2")
P218	✓	✓*	✓	✓	✓	✓	✓*
P318	✓	✓*	✓	✓	✓	✓	✓*

S70 Dedicated Coupler

Undercarriage	L		
Counterweight	4.2 mt		
Boom Type	Reach		VA
Stick Length	2.50 m (8'2")	2.92 m (9'7")	2.50 m (8'2")
P218	✓	✓	✓*
P318	✓	✓	✓*

HCS70 Dedicated Coupler

Undercarriage	L	
Counterweight	4.2 mt	
Boom Type	Reach	
Stick Length	2.50 m (8'2")	2.92 m (9'7")
P218	✓	✓
P318	✓	✓

323D2

Pin-on

Undercarriage	L		
Counterweight	—		
Boom Type	Reach HD		ME
Stick Length	2.50 m HD (8'2")	2.92 m HD (9'7")	2.40 m (7'10")
P218 Secondary Pulverizer	✓	✓	✓
P318 Primary Pulverizer	✓	✓	✓
P224 Secondary Pulverizer			✓
P324 Primary Pulverizer			✓

(continued on next page)

Matching – Tracked Excavators *(continued)*

 Match

 * Working Range Front Only

 No Match

323D2 *(continued)*

Cat Pin Grabber Coupler

Undercarriage	L		
Counterweight	—		
Boom Type	Reach HD		ME
Stick Length	2.50 m HD (8'2")	2.92 m HD (9'7")	2.40 m (7'10")
P218	✓	✓*	✓
P318	✓	✓*	✓

CS-40 S Dedicated Coupler

Undercarriage	L	
Counterweight	—	
Boom Type	Reach HD	
Stick Length	2.50 m HD (8'2")	2.92 m HD (9'7")
P218	✓	✓
P318	✓	✓

CW-40 Dedicated Coupler

Undercarriage	L		
Counterweight	—		
Boom Type	Reach HD		ME
Stick Length	2.50 m HD (8'2")	2.92 m HD (9'7")	2.40 m (7'10")
P218	✓	✓	✓
P318	✓	✓	✓
P324			✓

323E

Pin-on

Undercarriage	L				
Counterweight	—				
Boom Type	Reach HD		Reach ES	VA	
Stick Length	2.92 m ES (9'7")	2.50 m ES (8'2")	2.92 m ES (9'7")	2.50 m HD (8'2")	2.92 m ES (9'7")
P218 Secondary Pulverizer	✓	✓	✓	✓	✓
P318 Primary Pulverizer	✓	✓	✓	✓	✓

Pin-on *(continued)*

Undercarriage	LN				
Counterweight	—				
Boom Type	Reach HD			Reach ES	VA
Stick Length	2.92 m ES (9'7")	2.50 m ES (8'2")	1.90 m HD (6'3")	2.50 m ES (8'2")	2.50 m ES (8'2")
P218 Secondary Pulverizer	✓	✓	✓	✓	✓
P318 Primary Pulverizer	✓	✓	✓	✓	✓

Pin-on *(continued)*

Undercarriage	SA				
Counterweight	—				
Boom Type	Reach HD			Reach ES	VA
Stick Length	2.92 m ES (9'7")	2.50 m ES (8'2")	1.90 m HD (6'3")	2.50 m ES (8'2")	2.50 m ES (8'2")
P218 Secondary Pulverizer	✓	✓	✓	✓	✓
P318 Primary Pulverizer	✓	✓	✓	✓	✓

(continued on next page)

Pulverizer Technical Specifications

Matching – Tracked Excavators *(continued)*

 Match

 Working Range Front Only

 No Match

323E *(continued)*

Cat Pin Grabber Coupler

Undercarriage	L			LN		
Counterweight	—			—		
Boom Type	Reach HD		VA	Reach ES	Reach HD	
Stick Length	2.92 m ES (9'7")	2.50 m ES (8'2")	2.50 m HD (8'2")	2.92 m ES (9'7")	2.50 m ES (8'2")	1.90 m HD (6'3")
P218	✓	✓	✓	✓*	✓*	✓*
P318	✓	✓	✓	✓*	✓*	

Cat Pin Grabber Coupler *(continued)*

Undercarriage	SA		
Counterweight	—		
Boom Type	Reach HD		Reach ES
Stick Length	2.50 m ES (8'2")	1.90 m HD (6'3")	2.50 m ES (8'2")
H120 GC	✓*	✓*	✓*
H120 GC Side Mount	✓*	✓*	✓*

CS-40 S Dedicated Coupler

Undercarriage	L				LN			
Counterweight	—				—			
Boom Type	Reach HD		Reach ES	VA	Reach HD		Reach ES	
Stick Length	2.92 m ES (9'7")	2.50 m ES (8'2")	2.92 m ES (9'7")	2.50 m HD (8'2")	2.92 m ES (9'7")	2.50 m ES (8'2")	2.50 m ES (8'2")	
P218	✓	✓	✓	✓	✓*	✓*	✓	
P318	✓	✓	✓	✓	✓*	✓*	✓*	

CS-40 S Dedicated Coupler *(continued)*

Undercarriage	SA			
Counterweight	—			
Boom Type	Reach HD		Reach ES	VA
Stick Length	2.92 m ES (9'7")	2.50 m ES (8'2")	2.50 m ES (8'2")	2.50 m ES (8'2")
P218	✓*	✓	✓	✓*
P318	✓*	✓	✓	✓*

CW-40 Dedicated Coupler

Undercarriage	L				
Counterweight	—				
Boom Type	Reach HD		VA	Reach ES	
Stick Length	2.92 m ES (9'7")	2.50 m ES (8'2")	2.50 m HD (8'2")	2.92 m ES (9'7")	2.92 m ES (9'7")
P218	✓	✓	✓	✓	✓
P318	✓	✓	✓	✓*	✓

CW-40 Dedicated Coupler *(continued)*

Undercarriage	LN			
Counterweight	—			
Boom Type	Reach HD			Reach ES
Stick Length	2.92 m ES (9'7")	2.50 m ES (8'2")	1.90 m HD (6'3")	2.50 m ES (8'2")
P218	✓*	✓	✓	✓
P318	✓*	✓	✓	✓*

(continued on next page)

Pulverizer Technical Specifications

Matching – Tracked Excavators *(continued)*

 Match

 Working Range Front Only

 No Match

323E *(continued)*

CW-40 Dedicated Coupler *(continued)*

Undercarriage	SA				
Counterweight	—				
Boom Type	Reach HD			VA	Reach ES
Stick Length	2.92 m ES (9'7")	2.50 m ES (8'2")	1.90 m HD (6'3")	2.50 m ES (8'2")	2.50 m ES (8'2")
P218	✓*	✓	✓	✓*	✓
P318	✓*	✓	✓	✓*	✓

323F

Pin-on

Undercarriage	L					
Counterweight	—					
Boom Type	Reach		Reach HD		VA	
Stick Length	2.50 m HD (8'2")	2.92 m HD (9'7")	2.92 m HD (9'7")	2.92 m HD-TR (9'7")	2.50 m HD (8'2")	2.92 m HD (9'7")
P218 Secondary Pulverizer	✓	✓	✓	✓	✓	✓
P318 Primary Pulverizer	✓	✓	✓	✓	✓	✓
P224 Secondary Pulverizer	✓					
P324 Primary Pulverizer	✓					

Pin-on *(continued)*

Undercarriage	L				LN		
Counterweight	5.35 mt				—		
Boom Type	Reach		VA		Reach		VA
Stick Length	2.50 m HD (8'2")	2.92 m HD (9'7")	2.50 m HD (8'2")	2.92 m HD (9'7")	2.50 m HD (8'2")	2.92 m HD (9'7")	2.50 m HD (8'2")
P218 Secondary Pulverizer	✓	✓	✓	✓	✓	✓	✓*
P318 Primary Pulverizer	✓	✓	✓	✓	✓	✓	✓*
P224 Secondary Pulverizer	✓						
P324 Primary Pulverizer	✓						

Cat Pin Grabber Coupler

Undercarriage	L			
Counterweight	5.35 mt			
Boom Type	Reach		VA	
Stick Length	2.50 m HD (8'2")	2.92 m HD (9'7")	2.50 m HD (8'2")	2.92 m HD (9'7")
P218	✓	✓	✓	✓
P318	✓	✓	✓	✓

Cat Pin Grabber Coupler *(continued)*

Undercarriage	L						LN
Counterweight	—						—
Boom Type	Reach HD		Reach		VA		Reach
Stick Length	2.92 m HD (9'7")	2.92 m HD-TR (9'7")	2.50 m HD (8'2")	2.92 m HD (9'7")	2.50 m HD (8'2")	2.92 m HD (9'7")	2.50 m HD (8'2")
P218	✓	✓	✓	✓	✓	✓*	✓*
P318	✓	✓	✓	✓	✓	✓*	✓*

(continued on next page)

Pulverizer Technical Specifications

Matching – Tracked Excavators *(continued)*

 Match

 * Working Range Front Only

 No Match

323F *(continued)*

CS-40 S Dedicated Coupler

Undercarriage	L							
Counterweight	—				5.35 mt			
Boom Type	Reach		VA		Reach		VA	
Stick Length	2.50 m HD (8'2")	2.92 m HD (9'7")	2.50 m HD (8'2")	2.92 m HD (9'7")	2.50 m HD (8'2")	2.92 m HD (9'7")	2.50 m HD (8'2")	2.92 m HD (9'7")
P218	✓	✓	✓	✓	✓	✓	✓	✓
P318	✓	✓	✓	✓	✓	✓	✓	✓
P324	✓*				✓			

CS-40 S Dedicated Coupler *(continued)*

Undercarriage	LN	
Counterweight	—	
Boom Type	Reach	
Stick Length	2.50 m HD (8'2")	2.92 m HD (9'7")
P218	✓	✓*
P318	✓	✓*
P324		

CW-40 Dedicated Coupler

Undercarriage	L							
Counterweight	—				5.35 mt			
Boom Type	Reach		VA		Reach		VA	
Stick Length	2.50 m HD (8'2")	2.92 m HD (9'7")	2.50 m HD (8'2")	2.92 m HD (9'7")	2.50 m HD (8'2")	2.92 m HD (9'7")	2.50 m HD (8'2")	2.92 m HD (9'7")
P218	✓	✓	✓	✓	✓	✓	✓	✓
P224	✓*				✓			
P318	✓	✓	✓	✓	✓	✓	✓	✓
P324	✓*				✓			

CW-40 Dedicated Coupler *(continued)*

Undercarriage	LN	
Counterweight	—	
Boom Type	Reach	
Stick Length	2.50 m HD (8'2")	2.92 m HD (9'7")
P218	✓	✓*
P224		
P318	✓	✓*
P324		

S70 Dedicated Coupler

Undercarriage	L							
Counterweight	5.35 mt				—			
Boom Type	Reach		VA		Reach		VA	
Stick Length	2.50 m HD (8'2")	2.92 m HD (9'7")	2.50 m HD (8'2")	2.92 m HD (9'7")	2.50 m HD (8'2")	2.92 m HD (9'7")	2.50 m HD (8'2")	2.92 m HD (9'7")
P218	✓	✓	✓	✓	✓	✓	✓	✓
P318	✓	✓	✓	✓	✓	✓	✓	✓
P324	✓							

(continued on next page)

Matching – Tracked Excavators *(continued)*

 Match

 * Working Range Front Only

 No Match

323F *(continued)*

S70 Dedicated Coupler *(continued)*

Undercarriage	LN	
Counterweight	—	
Boom Type	Reach	
Stick Length	2.50 m HD (8'2")	2.92 m HD (9'7")
P218	✓	✓*
P318	✓	✓*
P324		

HCS70 Dedicated Coupler

Undercarriage	L							
Counterweight	5.35 mt				—			
Boom Type	Reach		VA		Reach		VA	
Stick Length	2.50 m HD (8'2")	2.92 m HD (9'7")	2.50 m HD (8'2")	2.92 m HD (9'7")	2.50 m HD (8'2")	2.92 m HD (9'7")	2.50 m HD (8'2")	2.92 m HD (9'7")
P218	✓	✓	✓	✓	✓	✓	✓	✓*
P318	✓	✓	✓	✓	✓	✓	✓	✓*

HCS70 Dedicated Coupler *(continued)*

Undercarriage	LN
Counterweight	—
Boom Type	Reach
Stick Length	2.50 m HD (8'2")
P218	✓*
P318	✓*

323 GC

Pin-on

Undercarriage	L	
Counterweight	4.7 mt	
Boom Type	Reach	
Stick Length	2.50 m (8'2")	2.92 m (9'7")
P218 Secondary Pulverizer	✓	✓
P318 Primary Pulverizer	✓	✓
P224 Secondary Pulverizer	✓	
P324 Primary Pulverizer	✓	✓

Cat Pin Grabber Coupler

Undercarriage	L	
Counterweight	4.7 mt	
Boom Type	Reach	
Stick Length	2.50 m (8'2")	2.92 m (9'7")
P218	✓	✓
P318	✓	✓

(continued on next page)

Pulverizer Technical Specifications

Matching – Tracked Excavators *(continued)*

Match

Working Range Front Only

No Match

323 GC *(continued)*

CS-40 S Dedicated Coupler

Undercarriage	L	
Counterweight	4.7 mt	
Boom Type	Reach	
Stick Length	2.50 m (8'2")	2.92 m (9'7")
P218	✓	✓
P224	✓*	
P318	✓	✓
P324	✓*	

CW-40 Dedicated Coupler

Undercarriage	L	
Counterweight	4.7 mt	
Boom Type	Reach	
Stick Length	2.50 m (8'2")	2.92 m (9'7")
P218	✓	✓
P224	✓*	
P318	✓	✓
P324	✓*	

323

Pin-on

Undercarriage	L					
Counterweight	4.2 mt					
Boom Type	Reach		Reach HD		VA	
Stick Length	2.50 m (8'2")	2.92 m (9'7")	2.50 m HD (8'2")	2.92 m HD (9'7")	2.50 m (8'2")	2.92 m (9'7")
P218 Secondary Pulverizer	✓	✓	✓	✓	✓	✓
P318 Primary Pulverizer	✓	✓	✓	✓	✓	✓
P224 Secondary Pulverizer	✓		✓*			
P324 Primary Pulverizer	✓	✓*	✓*			

Pin-on *(continued)*

Undercarriage	L						
Counterweight	5.4 mt						
Boom Type	Reach		Reach HD			VA	
Stick Length	2.50 m (8'2")	2.92 m (9'7")	2.50 m HD (8'2")	2.92 m HD (9'7")	2.92 m TR (9'7")	2.50 m (8'2")	2.92 m (9'7")
P218 Secondary Pulverizer	✓	✓	✓	✓	✓	✓	✓
P318 Primary Pulverizer	✓	✓	✓	✓	✓	✓	✓
P224 Secondary Pulverizer	✓		✓			✓	
P324 Primary Pulverizer	✓	✓	✓			✓	

(continued on next page)

Pulverizer Technical Specifications

Matching – Tracked Excavators *(continued)*

Match Working Range Front Only No Match

323 *(continued)*

Pin-on *(continued)*

Undercarriage	LN				SA			
Counterweight	4.5 mt				4.5 mt			
Boom Type	Reach		VA		Reach		VA	
Stick Length	2.50 m (8'2")	2.92 m (9'7")	2.50 m (8'2")	2.92 m (9'7")	2.50 m (8'2")	2.92 m (9'7")	2.50 m (8'2")	2.92 m (9'7")
P218 Secondary Pulverizer	✓	✓	✓	✓*	✓	✓	✓	✓*
P318 Primary Pulverizer	✓	✓	✓	✓*	✓	✓	✓	✓*
P224 Secondary Pulverizer								
P324 Primary Pulverizer								

Cat Pin Grabber Coupler

Undercarriage	L				
Counterweight	4.2 mt				
Boom Type	Reach		Reach HD		VA
Stick Length	2.50 m (8'2")	2.92 m (9'7")	2.50 m HD (8'2")	2.92 m HD (9'7")	2.50 m (8'2")
P218	✓	✓	✓	✓	✓*
P318	✓	✓	✓	✓	✓*

Cat Pin Grabber Coupler *(continued)*

Undercarriage	L						
Counterweight	5.4 mt						
Boom Type	Reach		Reach HD			VA	
Stick Length	2.50 m (8'2")	2.92 m (9'7")	2.50 m HD (8'2")	2.92 m HD (9'7")	2.92 m TR (9'7")	2.50 m (8'2")	2.92 m (9'7")
P218	✓	✓	✓	✓	✓	✓	✓
P318	✓	✓	✓	✓	✓	✓	✓

Cat Pin Grabber Coupler *(continued)*

Undercarriage	LN	SA
Counterweight	4.5 mt	4.5 mt
Boom Type	Reach	Reach
Stick Length	2.50 m (8'2")	2.50 m (8'2")
P218	✓*	✓*
P318	✓*	✓*

CS-40 S Dedicated Coupler

Undercarriage	L					
Counterweight	4.2 mt					
Boom Type	Reach		Reach HD		VA	
Stick Length	2.50 m (8'2")	2.92 m (9'7")	2.50 m HD (8'2")	2.92 m HD (9'7")	2.50 m (8'2")	2.92 m (9'7")
P218	✓	✓	✓	✓	✓	✓*
P224						
P318	✓	✓	✓	✓	✓	✓*
P324						

(continued on next page)

Pulverizer Technical Specifications

Matching – Tracked Excavators *(continued)*

 Match

 * Working Range Front Only

 No Match

323 *(continued)*

CS-40 S Dedicated Coupler *(continued)*

Undercarriage	L					
Counterweight	5.4 mt					
Boom Type	Reach		Reach HD		VA	
Stick Length	2.50 m (8'2")	2.92 m (9'7")	2.50 m HD (8'2")	2.92 m HD (9'7")	2.50 m (8'2")	2.92 m (9'7")
P218	✓	✓	✓	✓	✓	✓
P224	✓				✓*	
P318	✓	✓	✓	✓	✓	✓
P324	✓		✓		✓*	

CS-40 S Dedicated Coupler *(continued)*

Undercarriage	LN		SA		
Counterweight	4.5 mt		4.5 mt		
Boom Type	Reach		Reach		VA
Stick Length	2.50 m (8'2")	2.92 m (9'7")	2.50 m (8'2")	2.92 m (9'7")	2.50 m (8'2")
P218	✓	✓*	✓	✓	✓*
P224					
P318	✓	✓*	✓	✓	
P324					

CW-40 Dedicated Coupler

Undercarriage	L					
Counterweight	4.2 mt					
Boom Type	Reach		Reach HD		VA	
Stick Length	2.50 m (8'2")	2.92 m (9'7")	2.50 m HD (8'2")	2.92 m HD (9'7")	2.50 m (8'2")	2.92 m (9'7")
P218	✓	✓	✓	✓	✓	✓*
P224						
P318	✓	✓	✓	✓	✓	✓*
P324						

CW-40 Dedicated Coupler *(continued)*

Undercarriage	L					
Counterweight	5.4 mt					
Boom Type	Reach		Reach HD		VA	
Stick Length	2.50 m (8'2")	2.92 m (9'7")	2.50 m HD (8'2")	2.92 m HD (9'7")	2.50 m (8'2")	2.92 m (9'7")
P218	✓	✓	✓	✓	✓	✓
P224	✓		✓		✓*	
P318	✓	✓	✓	✓	✓	✓
P324	✓		✓		✓*	

CW-40 Dedicated Coupler *(continued)*

Undercarriage	LN		SA		
Counterweight	4.5 mt		4.5 mt		
Boom Type	Reach		Reach		VA
Stick Length	2.50 m (8'2")	2.92 m (9'7")	2.50 m (8'2")	2.92 m (9'7")	2.50 m (8'2")
P218	✓	✓*	✓	✓	✓*
P224					
P318	✓	✓*	✓	✓	
P324					

(continued on next page)

Pulverizer Technical Specifications

Matching – Tracked Excavators *(continued)*

 Match

 Working Range Front Only

 No Match

323 *(continued)*

S70 Dedicated Coupler

Undercarriage	L					
Counterweight	4.2 mt					
Boom Type	Reach HD		Reach		VA	
Stick Length	2.50 m HD (8'2")	2.92 m HD (9'7")	2.50 m (8'2")	2.92 m (9'7")	2.50 m (8'2")	2.92 m (9'7")
P218	✓	✓	✓	✓	✓	✓*
P318	✓	✓	✓	✓	✓	✓*
P324						

S70 Dedicated Coupler *(continued)*

Undercarriage	L					
Counterweight	5.4 mt					
Boom Type	Reach HD		Reach		VA	
Stick Length	2.50 m HD (8'2")	2.92 m HD (9'7")	2.50 m (8'2")	2.92 m (9'7")	2.50 m (8'2")	2.92m (9'7")
P218	✓	✓	✓	✓	✓	✓
P318	✓	✓	✓	✓	✓	✓
P324	✓		✓			

S70 Dedicated Coupler *(continued)*

Undercarriage	LN		SA	
Counterweight	4.5 mt		4.5 mt	
Boom Type	Reach		Reach	
Stick Length	2.50 m (8'2")	2.92 m (9'7")	2.50 m (8'2")	2.92 m (9'7")
P218	✓	✓*	✓	✓*
P318	✓	✓*	✓	✓*
P324				

HCS70 Dedicated Coupler

Undercarriage	L				
Counterweight	4.2 mt				
Boom Type	Reach HD		Reach		VA
Stick Length	2.50 m HD (8'2")	2.92 m HD (9'7")	2.50 m (8'2")	2.92 m (9'7")	2.50 m (8'2")
P218	✓	✓	✓	✓	✓*
P318	✓	✓	✓	✓	✓*

HCS70 Dedicated Coupler *(continued)*

Undercarriage	L						LN	SA
Counterweight	5.4 mt						4.5 mt	4.5 mt
Boom Type	Reach HD		Reach		VA		Reach	Reach
Stick Length	2.50 m HD (8'2")	2.92 m HD (9'7")	2.50 m (8'2")	2.92 m (9'7")	2.50 m (8'2")	2.92 m (9'7")	2.50 m (8'2")	2.50 m (8'2")
P218	✓	✓	✓	✓	✓	✓	✓*	✓*
P318	✓	✓	✓	✓	✓	✓	✓*	✓*

(continued on next page)

Pulverizer Technical Specifications

Matching – Tracked Excavators *(continued)*

 Match

 * Working Range Front Only

 No Match

324E

Pin-on

Undercarriage	L						
Counterweight	—						
Boom Type	Reach HD		Reach ES		ME	VA	
Stick Length	2.50 m HD (8'2")	2.95 m HD (9'8")	2.50 m ES (8'2")	2.95 m ES (9'8")	2.50 m (8'2")	2.50 m HD (8'2")	2.95 m HD (9'8")
P218 Secondary Pulverizer	✓	✓	✓	✓		✓	✓
P318 Primary Pulverizer	✓	✓	✓	✓		✓	✓
P224 Secondary Pulverizer	✓	✓	✓	✓	✓	✓	✓
P324 Primary Pulverizer	✓	✓	✓	✓	✓	✓	✓

Pin-on *(continued)*

Undercarriage	LN						
Counterweight	—						
Boom Type	Reach HD		Reach ES		ME	VA	
Stick Length	2.50 m HD (8'2")	2.95 m HD (9'8")	2.50 m ES (8'2")	2.95 m ES (9'8")	2.50 m (8'2")	2.50 m HD (8'2")	2.95 m HD (9'8")
P218 Secondary Pulverizer	✓	✓	✓	✓		✓	✓
P318 Primary Pulverizer	✓	✓	✓	✓		✓	✓
P224 Secondary Pulverizer	✓	✓	✓	✓	✓	✓	✓*
P324 Primary Pulverizer	✓	✓	✓	✓	✓	✓	✓*

Cat Pin Grabber Coupler

Undercarriage	L						
Counterweight	—						
Boom Type	Reach HD		Reach ES		ME	VA	
Stick Length	2.50 m HD (8'2")	2.95 m HD (9'8")	2.50 m ES (8'2")	2.95 m ES (9'8")	2.50 m (8'2")	2.50 m HD (8'2")	2.95 m HD (9'8")
P218	✓	✓	✓	✓		✓	✓
P224	✓	✓	✓	✓*	✓	✓*	
P318	✓	✓	✓	✓		✓	✓
P324	✓	✓	✓	✓*	✓	✓*	

Cat Pin Grabber Coupler *(continued)*

Undercarriage	LN						
Counterweight	—						
Boom Type	Reach HD		Reach ES		ME	VA	
Stick Length	2.50 m HD (8'2")	2.95 m HD (9'8")	2.50 m ES (8'2")	2.95 m ES (9'8")	2.50 m (8'2")	2.50 m HD (8'2")	2.95 m HD (9'8")
P218	✓	✓	✓	✓		✓	✓
P224	✓*		✓*		✓		
P318	✓	✓	✓	✓		✓	✓
P324	✓*		✓*		✓		

(continued on next page)

Pulverizer Technical Specifications

Matching – Tracked Excavators *(continued)*

 Match

 * Working Range Front Only

 No Match

324E *(continued)*

CW-40 Dedicated Coupler

Undercarriage	L					
Counterweight	—					
Boom Type	Reach HD		VA		Reach ES	
Stick Length	2.50 m HD (8'2")	2.95 m HD (9'8")	2.50 m HD (8'2")	2.95 m HD (9'8")	2.50 m ES (8'2")	2.95 m ES (9'8")
P218	✓	✓	✓	✓	✓	✓
P224	✓	✓	✓	✓	✓	✓
P318	✓	✓	✓	✓	✓	✓
P324	✓	✓	✓	✓	✓	✓

CW-40 Dedicated Coupler *(continued)*

Undercarriage	LN					
Counterweight	—					
Boom Type	Reach HD		VA		Reach ES	
Stick Length	2.50 m HD (8'2")	2.95 m HD (9'8")	2.50 m HD (8'2")	2.95 m HD (9'8")	2.50 m ES (8'2")	2.95 m ES (9'8")
P218	✓	✓	✓	✓	✓	✓
P224	✓	✓	✓*		✓	✓*
P318	✓	✓	✓	✓	✓	✓
P324	✓	✓	✓*		✓	✓*

CS-45 S Dedicated Coupler

Undercarriage	L	LN
Counterweight	—	—
Boom Type	ME	ME
Stick Length	2.50 m (8'2")	2.50 m (8'2")
P224	✓	✓
P324	✓	✓

CW-45 Dedicated Coupler

Undercarriage	L	LN
Counterweight	—	—
Boom Type	ME	ME
Stick Length	2.50 m (8'2")	2.50 m (8'2")
P224	✓	✓
P324	✓	✓

325F CR

Pin-on

Undercarriage	L	
Counterweight	—	
Boom Type	Reach	VA
Stick Length	2.92 m HD (9'7")	2.92 m HD (9'7")
P218 Secondary Pulverizer	✓	✓
P318 Primary Pulverizer	✓	✓

(continued on next page)

Pulverizer Technical Specifications

Matching – Tracked Excavators *(continued)*

 Match

 * Working Range Front Only

 No Match

325F CR *(continued)*

Cat Pin Grabber Coupler

Undercarriage	L
Counterweight	—
Boom Type	Reach
Stick Length	2.92 m HD (9'7")
P218	✓
P318	✓

CS-40 S Dedicated Coupler

Undercarriage	L	
Counterweight	—	
Boom Type	Reach	VA
Stick Length	2.92 m HD (9'7")	2.92 m HD (9'7")
P218	✓	✓*
P318	✓	✓*

CW-40 Dedicated Coupler

Undercarriage	L	
Counterweight	—	
Boom Type	Reach	VA
Stick Length	2.92 m HD (9'7")	2.92 m HD (9'7")
P218	✓	✓*
P318	✓	✓*

S70 Dedicated Coupler

Undercarriage	L	
Counterweight	—	
Boom Type	Reach	VA
Stick Length	2.92 m HD (9'7")	2.92 m HD (9'7")
P218	✓	✓*
P318	✓	

HCS70 Dedicated Coupler

Undercarriage	L
Counterweight	—
Boom Type	Reach
Stick Length	2.92 m HD (9'7")
P218	✓
P318	✓

(continued on next page)

Pulverizer Technical Specifications

Matching – Tracked Excavators *(continued)*

 Match

 Working Range Front Only

 No Match

325
Pin-on

Undercarriage	L					
Counterweight	6.7 mt					
Boom Type	Reach HD		Reach			VA
Stick Length	2.92 m (9'7")	2.92 m HD (9'7")	2.92 m (9'7")	2.92 m HD (9'7")	2.92 m TR (9'7")	2.92 m (9'7")
P218 Secondary Pulverizer	✓	✓	✓	✓	✓	✓
P318 Primary Pulverizer	✓	✓	✓	✓	✓	✓

Pin-on *(continued)*

Undercarriage	L					
Counterweight	8.3 mt					
Boom Type	Reach HD		Reach			VA
Stick Length	2.92 m (9'7")	2.92 m HD (9'7")	2.92 m (9'7")	2.92 m HD (9'7")	2.92 m TR (9'7")	2.92 m (9'7")
P218 Secondary Pulverizer	✓	✓	✓	✓	✓	✓
P318 Primary Pulverizer	✓	✓	✓	✓	✓	✓

Pin-on *(continued)*

Undercarriage	L with Blade					
Counterweight	4.9 mt					
Boom Type	Reach HD		Reach			VA
Stick Length	2.92 m (9'7")	2.92 m HD (9'7")	2.92 m (9'7")	2.92 m HD (9'7")	2.92 m TR (9'7")	2.92 m (9'7")
P218 Secondary Pulverizer	✓	✓	✓	✓	✓	✓*
P318 Primary Pulverizer	✓	✓	✓	✓	✓	✓*

Pin-on *(continued)*

Undercarriage	L with Blade (up)					
Counterweight	4.9 mt					
Boom Type	Reach			Reach HD		VA
Stick Length	2.92 m (9'7")	2.92 m HD (9'7")	2.92 m TR (9'7")	2.92 m (9'7")	2.92 m HD (9'7")	2.92 m (9'7")
P218 Secondary Pulverizer	✓	✓	✓	✓	✓	✓*
P318 Primary Pulverizer	✓	✓	✓	✓	✓	✓*

Cat Pin Grabber Coupler

Undercarriage	L					
Counterweight	6.7 mt					
Boom Type	Reach HD		Reach			VA
Stick Length	2.92 m (9'7")	2.92 m HD (9'7")	2.92 m (9'7")	2.92 m HD (9'7")	2.92 m TR (9'7")	2.92 m (9'7")
P218	✓	✓	✓	✓	✓	✓*
P318	✓	✓	✓	✓	✓	

Cat Pin Grabber Coupler *(continued)*

Undercarriage	L						L with Blade	L with Blade (up)
Counterweight	8.3 mt						4.9 mt	4.9 mt
Boom Type	Reach HD		Reach			VA	Reach	Reach
Stick Length	2.92 m (9'7")	2.92 m HD (9'7")	2.92 m (9'7")	2.92 m HD (9'7")	2.92 m TR (9'7")	2.92 m (9'7")	2.92 m (9'7")	
P218	✓	✓	✓	✓	✓	✓	✓*	
P318	✓	✓	✓	✓	✓	✓	✓*	

(continued on next page)

Pulverizer Technical Specifications

Matching – Tracked Excavators *(continued)*

 Match

 * Working Range Front Only

 No Match

325 *(continued)*

CS-40 S Dedicated Coupler

Undercarriage	L				
Counterweight	6.7 mt				
Boom Type	Reach		Reach HD		VA
Stick Length	2.92 m (9'7")	2.92 m HD (9'7")	2.92 m (9'7")	2.92 m HD (9'7")	2.92 m (9'7")
P218	✓	✓	✓	✓	✓
P318	✓	✓	✓	✓	✓

CS-40 S Dedicated Coupler *(continued)*

Undercarriage	L				
Counterweight	8.3 mt				
Boom Type	Reach		Reach HD		VA
Stick Length	2.92 m (9'7")	2.92 m HD (9'7")	2.92 m (9'7")	2.92 m HD (9'7")	2.92 m (9'7")
P218	✓	✓	✓	✓	✓
P318	✓	✓	✓	✓	✓

CS-40 S Dedicated Coupler *(continued)*

Undercarriage	L with Blade				L with Blade (up)			
Counterweight	4.9 mt							
Boom Type	Reach		Reach HD		Reach		Reach HD	
Stick Length	2.92 m (9'7")	2.92 m HD (9'7")	2.92 m (9'7")	2.92 m HD (9'7")	2.92 m (9'7")	2.92 m HD (9'7")	2.92 m (9'7")	2.92 m HD (9'7")
P218	✓	✓*	✓	✓*	✓	✓*	✓	✓*
P318	✓	✓*	✓	✓*	✓	✓*	✓	✓*

CW-40 Dedicated Coupler

Undercarriage	L				
Counterweight	6.7 mt				
Boom Type	Reach		Reach HD		VA
Stick Length	2.92 m (9'7")	2.92 m HD (9'7")	2.92 m (9'7")	2.92 m HD (9'7")	2.92 m (9'7")
P218	✓	✓	✓	✓	✓
P318	✓	✓	✓	✓	✓

CW-40 Dedicated Coupler *(continued)*

Undercarriage	L				
Counterweight	8.3 mt				
Boom Type	Reach		Reach HD		VA
Stick Length	2.92 m (9'7")	2.92 m HD (9'7")	2.92 m (9'7")	2.92 m HD (9'7")	2.92 m (9'7")
P218	✓	✓	✓	✓	✓
P318	✓	✓	✓	✓	✓

CW-40 Dedicated Coupler *(continued)*

Undercarriage	L with Blade				L with Blade (up)			
Counterweight	4.9 mt							
Boom Type	Reach		Reach HD		Reach		Reach HD	
Stick Length	2.92 m (9'7")	2.92 m HD (9'7")	2.92 m (9'7")	2.92 m HD (9'7")	2.92 m (9'7")	2.92 m HD (9'7")	2.92 m (9'7")	2.92 m HD (9'7")
P218	✓	✓*	✓	✓*	✓	✓*	✓	✓*
P318	✓	✓*	✓	✓*	✓	✓*	✓	✓*

(continued on next page)

Matching – Tracked Excavators *(continued)*

Match
 Working Range Front Only
 No Match

325 *(continued)*

S70 Dedicated Coupler

Undercarriage	L				
Counterweight	6.7 mt				
Boom Type	Reach HD		Reach		VA
Stick Length	2.92 m (9'7")	2.92 m HD (9'7")	2.92 m (9'7")	2.92 m HD (9'7")	2.92 m (9'7")
P218	✓	✓	✓	✓	✓*
P318	✓	✓	✓	✓	✓*

S70 Dedicated Coupler *(continued)*

Undercarriage	L				
Counterweight	8.3 mt				
Boom Type	Reach HD		Reach		VA
Stick Length	2.92 m (9'7")	2.92 m HD (9'7")	2.92 m (9'7")	2.92 m HD (9'7")	2.92 m (9'7")
P218	✓	✓	✓	✓	✓
P318	✓	✓	✓	✓	✓

CS-40 S Dedicated Coupler *(continued)*

Undercarriage	L with Blade				L with Blade (up)			
Counterweight	4.9 mt				4.9 mt			
Boom Type	Reach HD		Reach		Reach HD		Reach	
Stick Length	2.92 m (9'7")	2.92 m HD (9'7")	2.92 m (9'7")	2.92 m HD (9'7")	2.92 m (9'7")	2.92 m HD (9'7")	2.92 m (9'7")	2.92 m HD (9'7")
P218	✓*	✓*	✓	✓*	✓*	✓*	✓	✓*
P318	✓*	✓*	✓*	✓*	✓*	✓*	✓*	✓*

HCS70 Dedicated Coupler

Undercarriage	L				
Counterweight	6.7 mt				
Boom Type	Reach HD		Reach		VA
Stick Length	2.92 m (9'7")	2.92 m HD (9'7")	2.92 m (9'7")	2.92 m HD (9'7")	2.92 m (9'7")
P218	✓	✓	✓	✓	✓*
P318	✓	✓	✓	✓	

HCS70 Dedicated Coupler *(continued)*

Undercarriage	L				
Counterweight	8.3 mt				
Boom Type	Reach HD		Reach		VA
Stick Length	2.92 m (9'7")	2.92 m HD (9'7")	2.92 m (9'7")	2.92 m HD (9'7")	2.92 m (9'7")
P218	✓	✓	✓	✓	✓
P318	✓	✓	✓	✓	✓

HCS70 Dedicated Coupler *(continued)*

Undercarriage	L with Blade	L with Blade (up)
Counterweight	4.9 mt	4.9 mt
Boom Type	Reach	Reach
Stick Length	2.92 m (9'7")	2.92 m (9'7")
P218	✓*	✓*
P318		

(continued on next page)

Pulverizer Technical Specifications

Matching – Tracked Excavators *(continued)*

 Match

 * Working Range Front Only

 No Match

326D2

Pin-on

Undercarriage	L	
Counterweight	—	
Boom Type	Reach	Reach HD
Stick Length	2.50 m (8'2")	2.95 m HD (9'8")
P218 Secondary Pulverizer	✓	✓
P318 Primary Pulverizer	✓	✓
P224 Secondary Pulverizer	✓	✓
P324 Primary Pulverizer	✓	✓

Cat Pin Grabber Coupler

Undercarriage	L	
Counterweight	—	
Boom Type	Reach HD	Reach
Stick Length	2.95 m HD (9'8")	2.50 m (8'2")
P218	✓	✓
P224		✓*
P318	✓	✓
P324		✓*

CW-40 Dedicated Coupler

Undercarriage	L	
Counterweight	—	
Boom Type	Reach	Reach HD
Stick Length	2.50 m (8'2")	2.95 m HD (9'8")
P218	✓	✓
P224	✓	✓*
P318	✓	✓
P324	✓	✓*

326F

Pin-on

Undercarriage	L				
Counterweight	—				
Boom Type	Reach HD			VA	
Stick Length	2.50 m HD (8'2")	2.95 m HD (9'8")	3.60 m HD (11'10")	2.50 m HD (8'2")	2.95 m HD (9'8")
P218 Secondary Pulverizer	✓	✓	✓	✓	✓
P318 Primary Pulverizer	✓	✓	✓	✓	✓
P224 Secondary Pulverizer	✓	✓	✓*	✓	✓*
P324 Primary Pulverizer	✓	✓	✓*	✓	✓

(continued on next page)

Pulverizer Technical Specifications

Matching – Tracked Excavators *(continued)*

 Match

 Working Range Front Only

 No Match

326F *(continued)*

Pin-on *(continued)*

Undercarriage	LN			
Counterweight	—			
Boom Type	Reach HD		VA	
Stick Length	2.50 m HD (8'2")	2.95 m HD (9'8")	2.50 m HD (8'2")	2.95 m HD (9'8")
P218 Secondary Pulverizer	✓	✓	✓	✓
P318 Primary Pulverizer	✓	✓	✓	✓
P224 Secondary Pulverizer	✓	✓*	✓*	
P324 Primary Pulverizer	✓	✓*	✓*	

Cat Pin Grabber Coupler

Undercarriage	L				
Counterweight	—				
Boom Type	Reach HD			VA	
Stick Length	2.50 m HD (8'2")	2.95 m HD (9'8")	3.60 m HD (11'10")	2.50 m HD (8'2")	2.95 m HD (9'8")
P218	✓	✓	✓	✓	✓
P224	✓*				
P318	✓	✓	✓	✓	✓
P324	✓*				

Cat Pin Grabber Coupler *(continued)*

Undercarriage	LN			
Counterweight	—			
Boom Type	Reach HD		VA	
Stick Length	2.50 m HD (8'2")	2.95 m HD (9'8")	2.50 m HD (8'2")	2.95 m HD (9'8")
P218	✓	✓	✓	✓*
P224				
P318	✓	✓	✓	✓*
P324				

CW-40 Dedicated Coupler

Undercarriage	L				LN			
Counterweight	—				—			
Boom Type	Reach HD		VA		Reach HD		VA	
Stick Length	2.50 m HD (8'2")	2.95 m HD (9'8")	2.50 m HD (8'2")	2.95 m HD (9'8")	2.50 m HD (8'2")	2.95 m HD (9'8")	2.50 m HD (8'2")	2.95 m HD (9'8")
P218	✓	✓	✓	✓	✓	✓	✓	✓
P224	✓	✓	✓		✓*			
P318	✓	✓	✓	✓	✓	✓	✓	✓
P324	✓	✓	✓	✓*	✓*			

(continued on next page)

Pulverizer Technical Specifications

Matching – Tracked Excavators *(continued)*

 Match

 * Working Range Front Only

 No Match

326F *(continued)*

S70 Dedicated Coupler

Undercarriage	L				LN			
Counterweight	—				—			
Boom Type	Reach HD		Reach HD		VA		VA	
Stick Length	2.50 m HD (8'2")	2.95 m HD (9'8")	2.50 m HD (8'2")	2.95 m HD (9'8")	2.50 m HD (8'2")	2.95 m HD (9'8")	2.50 m HD (8'2")	2.95 m HD (9'8")
P218	✓	✓	✓	✓	✓	✓	✓	✓
P224	✓	✓	✓*		✓*			
P318	✓	✓	✓	✓	✓	✓	✓	✓
P324	✓	✓	✓*		✓*			

S80 Dedicated Coupler

Undercarriage	L				LN			
Counterweight	—				—			
Boom Type	Reach HD		VA		Reach HD		VA	
Stick Length	2.50 m HD (8'2")	2.95 m HD (9'8")	2.50 m HD (8'2")	2.95 m HD (9'8")	2.50 m HD (8'2")	2.95 m HD (9'8")	2.50 m HD (8'2")	2.95 m HD (9'8")
P218	✓	✓	✓	✓	✓	✓	✓	✓
P224	✓	✓*						
P318	✓	✓	✓	✓	✓	✓	✓	✓
P324	✓							

HCS70 Dedicated Coupler

Undercarriage	L				LN			
Counterweight	—				—			
Boom Type	Reach HD		VA		Reach HD		VA	
Stick Length	2.50 m HD (8'2")	2.95 m HD (9'8")	2.50 m HD (8'2")	2.95 m HD (9'8")	2.50 m HD (8'2")	2.95 m HD (9'8")	2.50 m HD (8'2")	2.95 m HD (9'8")
P218	✓	✓	✓	✓	✓	✓	✓	✓
P224	✓	✓*	✓*					
P318	✓	✓	✓	✓	✓	✓	✓	✓
P324	✓	✓*	✓*					

HCS80 Dedicated Coupler

Undercarriage	L				LN			
Counterweight	—				—			
Boom Type	Reach HD		VA		Reach HD		VA	
Stick Length	2.50 m HD (8'2")	2.95 m HD (9'8")	2.50 m HD (8'2")	2.95 m HD (9'8")	2.50 m HD (8'2")	2.95 m HD (9'8")	2.50 m HD (8'2")	2.95 m HD (9'8")
P218	✓	✓	✓	✓	✓	✓	✓	✓*
P224	✓*							
P318	✓	✓	✓	✓	✓	✓	✓	✓*
P324	✓*							

(continued on next page)

Pulverizer Technical Specifications

Matching – Tracked Excavators *(continued)*

 Match

 * Working Range Front Only

 No Match

326
Pin-on

Undercarriage	L						
Counterweight	4.6 mt						
Boom Type	Reach			Reach HD		VA	
Stick Length	2.50 m (8'2")	2.95 m (9'8")	3.60 m (11'10")	2.50 m (8'2")	2.95 m HD (9'8")	2.50 m (8'2")	2.95 m (9'8")
P218 Secondary Pulverizer	✓	✓	✓	✓	✓	✓	✓
P318 Primary Pulverizer	✓	✓	✓	✓	✓	✓	✓
P224 Secondary Pulverizer	✓	✓	✓*	✓	✓	✓	✓
P324 Primary Pulverizer	✓	✓	✓	✓	✓	✓	✓

Pin-on *(continued)*

Undercarriage	LN				
Counterweight	4.6 mt				
Boom Type	Reach		Reach HD	VA	
Stick Length	2.50 m (8'2")	2.95 m (9'8")	2.95 m HD (9'8")	2.50 m (8'2")	2.95 m (9'8")
P218 Secondary Pulverizer	✓	✓	✓	✓	✓
P318 Primary Pulverizer	✓	✓	✓	✓	✓
P224 Secondary Pulverizer	✓	✓*	✓*	✓*	
P324 Primary Pulverizer	✓	✓	✓*	✓	

Cat Pin Grabber Coupler

Undercarriage	L						
Counterweight	4.6 mt						
Boom Type	Reach		Reach HD		Reach	VA	
Stick Length	2.95 m (9'8")	3.60 m (11'10")	2.50 m (8'2")	2.95 m HD (9'8")	2.50 m (8'2")	2.50 m (8'2")	2.95 m (9'8")
P218	✓	✓	✓	✓	✓	✓	✓
P224	✓*		✓*		✓	✓*	
P318	✓	✓	✓	✓	✓	✓	✓
P324	✓*		✓*		✓	✓*	

Cat Pin Grabber Coupler *(continued)*

Undercarriage	LN				
Counterweight	4.6 mt				
Boom Type	Reach		Reach HD	VA	
Stick Length	2.50 m (8'2")	2.95 m (9'8")	2.95 m HD (9'8")	2.50 m (8'2")	2.95 m (9'8")
P218	✓	✓	✓	✓	✓
P224					
P318	✓	✓	✓	✓	✓
P324					

(continued on next page)

Pulverizer Technical Specifications

Matching – Tracked Excavators *(continued)*

 Match

 * Working Range Front Only

 No Match

326 *(continued)*

CW-40 Dedicated Coupler

Undercarriage	L					
Counterweight	4.6 mt					
Boom Type	Reach		Reach HD		VA	
Stick Length	2.50 m (8'2")	2.95 m (9'8")	2.50 m (8'2")	2.95 m HD (9'8")	2.50 m (8'2")	2.95 m (9'8")
P218	✓	✓	✓	✓	✓	✓
P224	✓	✓	✓	✓	✓	✓*
P318	✓	✓	✓	✓	✓	✓
P324	✓	✓	✓	✓	✓	✓

CW-40 Dedicated Coupler *(continued)*

Undercarriage	LN				
Counterweight	4.6 mt				
Boom Type	Reach		Reach HD	VA	
Stick Length	2.50 m (8'2")	2.95 m (9'8")	2.95 m HD (9'8")	2.50 m (8'2")	2.95 m (9'8")
P218	✓	✓	✓	✓	✓
P224	✓*				
P318	✓	✓	✓	✓	✓
P324	✓			✓*	

S70 Dedicated Coupler

Undercarriage	L				
Counterweight	4.6 mt				
Boom Type	Reach HD	Reach		VA	
Stick Length	2.95 m HD (9'8")	2.50 m (8'2")	2.95 m (9'8")	2.50 m (8'2")	2.95 m (9'8")
P218	✓	✓	✓	✓	✓
P224	✓	✓	✓	✓	✓*
P318	✓	✓	✓	✓	✓
P324	✓	✓	✓	✓	✓*

S70 Dedicated Coupler *(continued)*

Undercarriage	LN				
Counterweight	4.6 mt				
Boom Type	Reach HD	Reach		VA	
Stick Length	2.95 m HD (9'8")	2.50 m (8'2")	2.95 m (9'8")	2.50 m (8'2")	2.95 m (9'8")
P218	✓	✓	✓	✓	✓
P224		✓*			
P318	✓	✓	✓	✓	✓
P324		✓*			

(continued on next page)

Pulverizer Technical Specifications

Matching – Tracked Excavators *(continued)*

 Match

 Working Range Front Only

 No Match

326 *(continued)*

S80 Dedicated Coupler

Undercarriage	L				
Counterweight	4.6 mt				
Boom Type	Reach HD		Reach	VA	
Stick Length	2.95 m HD (9'8")	2.50 m (8'2")	2.95 m (9'8")	2.50 m (8'2")	2.95 m (9'8")
P218	✓	✓	✓	✓	✓
P224	✓*	✓	✓*	✓*	
P318	✓	✓	✓	✓	✓
P324	✓*	✓	✓*	✓*	

S80 Dedicated Coupler *(continued)*

Undercarriage	LN				
Counterweight	4.6 mt				
Boom Type	Reach HD		Reach	VA	
Stick Length	2.95 m HD (9'8")	2.50 m (8'2")	2.95 m (9'8")	2.50 m (8'2")	2.95 m (9'8")
P218	✓	✓	✓	✓	✓
P224					
P318	✓	✓	✓	✓	✓
P324					

HCS70 Dedicated Coupler

Undercarriage	L				
Counterweight	4.6 mt				
Boom Type	Reach HD	Reach		VA	
Stick Length	2.95 m HD (9'8")	2.50 m (8'2")	2.95 m (9'8")	2.50 m (8'2")	2.95 m (9'8")
P218	✓	✓	✓	✓	✓
P224	✓*	✓	✓*	✓	✓*
P318	✓	✓	✓	✓	✓
P324	✓*	✓	✓	✓	✓*

HCS70 Dedicated Coupler *(continued)*

Undercarriage	LN				
Counterweight	4.6 mt				
Boom Type	Reach HD	Reach		VA	
Stick Length	2.95 m HD (9'8")	2.50 m (8'2")	2.95 m (9'8")	2.50 m (8'2")	2.95 m (9'8")
P218	✓	✓	✓	✓	✓
P224		✓*			
P318	✓	✓	✓	✓	✓
P324		✓*			

(continued on next page)

Pulverizer Technical Specifications

Matching – Tracked Excavators *(continued)*

 Match

 * Working Range Front Only

 No Match

326 *(continued)*

HCS80 Dedicated Coupler

Undercarriage	L				
Counterweight	4.6 mt				
Boom Type	Reach HD		Reach	VA	
Stick Length	2.95 m HD (9'8")	2.50 m (8'2")	2.95 m (9'8")	2.50 m (8'2")	2.95 m (9'8")
P218	✓	✓	✓	✓	✓
P224		✓	✓*	✓*	
P318	✓	✓	✓	✓	✓
P324		✓	✓*	✓*	

HCS80 Dedicated Coupler *(continued)*

Undercarriage	LN				
Counterweight	4.6 mt				
Boom Type	Reach HD		Reach	Reach	
Stick Length	2.95 m HD (9'8")	2.50 m (8'2")	2.95 m (9'8")	2.50 m (8'2")	2.95 m (9'8")
P218	✓	✓	✓	✓	✓*
P224					
P318	✓	✓	✓	✓	✓*
P324					

329E

Pin-on

Undercarriage	L					
Counterweight	—					
Boom Type	Reach HD			Reach ES		ME
Stick Length	2.65 m HD (8'8")	3.20 m HD (10'6")	3.75 m HD (12'4")	3.20 m ES (10'6")	2.65 m ES (8'8")	2.50 m (8'2")
P224 Secondary Pulverizer	✓	✓	✓	✓	✓	✓
P324 Primary Pulverizer	✓	✓	✓	✓	✓	✓
P232 Secondary Pulverizer						✓
P332 Primary Pulverizer						✓
P332 Flat Top Primary Pulverizer						✓

Pin-on *(continued)*

Undercarriage	LN				
Counterweight	—				
Boom Type	Reach HD		Reach ES		ME
Stick Length	2.65 m HD (8'8")	3.20 m HD (10'6")	3.20 m ES (10'6")	2.65 m ES (8'8")	2.50 m (8'2")
P224 Secondary Pulverizer	✓	✓	✓	✓	✓
P324 Primary Pulverizer	✓	✓	✓	✓	✓
P232 Secondary Pulverizer					✓
P332 Primary Pulverizer					✓
P332 Flat Top Primary Pulverizer					✓

(continued on next page)

Matching – Tracked Excavators *(continued)*

 Match

 * Working Range Front Only

 No Match

329E *(continued)*

Cat Pin Grabber Coupler

Undercarriage	L					
Counterweight	—					
Boom Type	Reach HD			Reach ES		ME
Stick Length	2.65 m HD (8'8")	3.20 m HD (10'6")	3.75 m HD (12'4")	3.20 m ES (10'6")	2.65 m ES (8'8")	2.50 m (8'2")
P224	✓	✓		✓	✓	✓
P232						✓
P324	✓	✓	✓*	✓	✓	✓
P332						✓
P332 Flat Top						✓

Cat Pin Grabber Coupler *(continued)*

Undercarriage	LN			
Counterweight	—			
Boom Type	Reach HD		Reach ES	ME
Stick Length	2.65 m HD (8'8")	3.20 m HD (10'6")	2.65 m ES (8'8")	2.50 m (8'2")
P224	✓	✓*	✓	✓
P232				
P324	✓	✓*	✓	✓
P332				✓*
P332 Flat Top				

CS-45 S Dedicated Coupler

Undercarriage	L				
Counterweight	—				
Boom Type	Reach HD		Reach ES		ME
Stick Length	2.65 m HD (8'8")	3.20 m HD (10'6")	3.20 m ES (10'6")	2.65 m ES (8'8")	2.50 m (8'2")
P224	✓	✓	✓	✓	✓
P232					✓
P324	✓	✓	✓	✓	✓
P332					✓
P332 Flat Top					✓

CS-45 S Dedicated Coupler *(continued)*

Undercarriage	LN				
Counterweight	—				
Boom Type	Reach HD		Reach ES		ME
Stick Length	2.65 m HD (8'8")	3.20 m HD (10'6")	3.20 m ES (10'6")	2.65 m ES (8'8")	2.50 m (8'2")
P224	✓	✓*	✓*	✓	✓
P232					✓*
P324	✓	✓*	✓*	✓	✓
P332					✓
P332 Flat Top					✓*

(continued on next page)

Pulverizer Technical Specifications

Matching – Tracked Excavators *(continued)*

 Match

 * Working Range Front Only

 No Match

329E *(continued)*

CW-45 Dedicated Coupler

Undercarriage	L				
Counterweight	—				
Boom Type	Reach HD		Reach ES		ME
Stick Length	2.65 m HD (8'8")	3.20 m HD (10'6")	3.20 m ES (10'6")	2.65 m ES (8'8")	2.50 m (8'2")
P224	✓	✓	✓	✓	✓
P232					✓
P324	✓	✓	✓	✓	✓
P332					✓
P332 Flat Top					✓

CW-45 Dedicated Coupler *(continued)*

Undercarriage	LN			
Counterweight	—			
Boom Type	Reach HD		Reach ES	ME
Stick Length	2.65 m HD (8'8")	3.20 m HD (10'6")	2.65 m ES (8'8")	2.50 m (8'2")
P224	✓	✓*	✓	✓
P232				
P324	✓	✓*	✓	✓
P332				✓
P332 Flat Top				

330D2

Pin-on

Undercarriage	L			
Counterweight	—			
Boom Type	Reach	Reach HD		ME
Stick Length	2.65 m (8'8")	2.65 m HD (8'8")	3.20 m HD (10'6")	2.50 m (8'2")
P224 Secondary Pulverizer	✓	✓	✓	✓
P324 Primary Pulverizer	✓	✓	✓	✓
P232 Secondary Pulverizer				✓
P332 Primary Pulverizer				✓
P332 Flat Top Primary Pulverizer				✓

Cat Pin Grabber Coupler

Undercarriage	L		
Counterweight	—		
Boom Type	Reach	Reach HD	ME
Stick Length	2.65 m (8'8")	2.65 m HD (8'8")	2.50 m (8'2")
P224	✓	✓	✓
P324	✓	✓	✓
P332			✓*

(continued on next page)

Pulverizer Technical Specifications

Matching – Tracked Excavators *(continued)*

 Match

 Working Range Front Only

 No Match

330D2 *(continued)*

CS-45 S Dedicated Coupler

Undercarriage	L			
Counterweight	—			
Boom Type	Reach	Reach HD		ME
Stick Length	2.65 m (8'8")	2.65 m HD (8'8")	3.20 m HD (10'6")	2.50 m (8'2")
P224	✓	✓	✓*	✓
P232				✓*
P324	✓	✓	✓*	✓
P332				✓
P332 Flat Top				✓*

CW-45 Dedicated Coupler

Undercarriage	L		
Counterweight	—		
Boom Type	Reach	Reach HD	ME
Stick Length	2.65 m (8'8")	2.65 m HD (8'8")	2.50 m (8'2")
P224	✓	✓	✓
P324	✓	✓	✓
P332			✓

330F

Pin-on

Undercarriage	L			LN	
Counterweight	—			—	
Boom Type	Reach HD			Reach HD	
Stick Length	2.65 m HD (8'8")	3.20 m HD (10'6")	3.75 m HD (12'4")	2.65 m HD (8'8")	3.20 m HD (10'6")
P224 Secondary Pulverizer	✓	✓	✓	✓	✓
P324 Primary Pulverizer	✓	✓	✓	✓	✓
P232 Secondary Pulverizer					
P332 Primary Pulverizer	✓	✓		✓	

Cat Pin Grabber Coupler

Undercarriage	L		LN	
Counterweight	—		—	
Boom Type	Reach HD		Reach HD	
Stick Length	2.65 m HD (8'8")	3.20 m HD (10'6")	2.65 m HD (8'8")	3.20 m HD (10'6")
P224	✓	✓	✓	✓*
P324	✓	✓	✓	✓*
P332	✓*			

(continued on next page)

Pulverizer Technical Specifications

Matching – Tracked Excavators *(continued)*

 Match

 * Working Range Front Only

 No Match

330F *(continued)*

CS-45 S Dedicated Coupler

Undercarriage	L		LN	
Counterweight	—		—	
Boom Type	Reach HD		Reach HD	
Stick Length	2.65 m HD (8'8")	3.20 m HD (10'6")	2.65 m HD (8'8")	3.20 m HD (10'6")
P224	✓	✓	✓	✓*
P324	✓	✓	✓	✓*
P332	✓*			

CW-45 Dedicated Coupler

Undercarriage	L		LN	
Counterweight	—		—	
Boom Type	Reach HD		Reach HD	
Stick Length	2.65 m HD (8'8")	3.20 m HD (10'6")	2.65 m HD (8'8")	3.20 m HD (10'6")
P224	✓	✓	✓	✓*
P324	✓	✓	✓	✓*
P332	✓*			

S70 Dedicated Coupler

Undercarriage	L		LN	
Counterweight	—		—	
Boom Type	Reach HD		Reach HD	
Stick Length	2.65 m HD (8'8")	3.20 m HD (10'6")	2.65 m HD (8'8")	3.20 m HD (10'6")
P224	✓	✓	✓	✓
P324	✓	✓	✓	✓

S80 Dedicated Coupler

Undercarriage	L		LN	
Counterweight	—		—	
Boom Type	Reach HD		Reach HD	
Stick Length	2.65 m HD (8'8")	3.20 m HD (10'6")	2.65 m HD (8'8")	3.20 m HD (10'6")
P224	✓	✓	✓	✓*
P324	✓	✓	✓	✓*

HCS70 Dedicated Coupler

Undercarriage	L		LN	
Counterweight	—		—	
Boom Type	Reach HD		Reach HD	
Stick Length	2.65 m HD (8'8")	3.20 m HD (10'6")	2.65 m HD (8'8")	3.20 m HD (10'6")
P224	✓	✓	✓	✓*
P324	✓	✓	✓	✓*

(continued on next page)

Matching – Tracked Excavators *(continued)*

 Match

 * Working Range Front Only

 No Match

330 GC

Cat Pin Grabber Coupler

Undercarriage	—	
Counterweight	5.8 mt	6.7 mt
Boom Type	ME	ME
Stick Length	2.50 m (8'2")	2.50 m (8'2")
P224	✓	✓
P324	✓	✓
P332		✓*

CS-45 S Dedicated Coupler

Undercarriage	—				
Counterweight	5.8 mt		6.7 mt		
Boom Type	ME	Reach	Reach		ME
Stick Length	2.50 m (8'2")	2.65 m (8'8")	2.65 m (8'8")	3.20 m (10'6")	2.50 m (8'2")
P224	✓	✓*	✓	✓	✓
P232					✓*
P324	✓	✓*	✓	✓	✓
P332					✓
P332 Flat Top					✓*

CS-45 S Dedicated Coupler *(continued)*

Undercarriage	L		LN	
Counterweight	6.7 mt		6.7 mt	
Boom Type	Reach		Reach	
Stick Length	2.65 m (8'8")	3.20 m (10'6")	2.65 m (8'8")	3.20 m (10'6")
P224	✓	✓	✓	✓
P232	✓*			
P324	✓	✓	✓	✓
P332	✓	✓*	✓*	
P332 Flat Top	✓*			

CW-45 Dedicated Coupler

Undercarriage	—				
Counterweight	5.8 mt		6.7 mt		
Boom Type	ME	Reach	ME	Reach	Reach
Stick Length	2.50 m (8'2")	2.65 m (8'8")	2.50 m (8'2")	2.65 m (8'8")	3.20 m (10'6")
P224	✓	✓*	✓	✓	✓*
P232					
P324	✓	✓*	✓	✓	✓*
P332			✓		
P332 Flat Top					

(continued on next page)

Pulverizer Technical Specifications

Matching – Tracked Excavators *(continued)*

 Match

 * Working Range Front Only

 No Match

330 GC *(continued)*

S70 Dedicated Coupler

Undercarriage	L		LN	
Counterweight	6.7 mt		6.7 mt	
Boom Type	Reach		Reach	
Stick Length	2.65 m (8'8")	3.20 m (10'6")	2.65 m (8'8")	3.20 m (10'6")
P224	✓	✓	✓	✓
P324	✓	✓	✓	✓

S80 Dedicated Coupler

Undercarriage	L		LN	
Counterweight	6.7 mt		6.7 mt	
Boom Type	Reach		Reach	
Stick Length	2.65 m (8'8")	3.20 m (10'6")	2.65 m (8'8")	3.20 m (10'6")
P224	✓	✓	✓	✓
P232	✓*			
P324	✓	✓	✓	✓
P332 Flat Top	✓*			

HCS70 Dedicated Coupler

Undercarriage	L		LN	
Counterweight	6.7 mt		6.7 mt	
Boom Type	Reach		Reach	
Stick Length	2.65 m (8'8")	3.20 m (10'6")	2.65 m (8'8")	3.20 m (10'6")
P224	✓	✓	✓	✓
P324	✓	✓	✓	✓

HCS80 Dedicated Coupler

Undercarriage	L		LN	
Counterweight	6.7 mt		6.7 mt	
Boom Type	Reach		Reach	
Stick Length	2.65 m (8'8")	3.20 m (10'6")	2.65 m (8'8")	3.20 m (10'6")
P224	✓	✓	✓	✓*
P232	✓*			
P324	✓	✓	✓	✓*

(continued on next page)

Pulverizer Technical Specifications

Matching – Tracked Excavators *(continued)*

Match
 Working Range Front Only
 No Match

330

Pin-on

Undercarriage	L						LN	
Counterweight	6.7 mt						6.7 mt	
Boom Type	Reach			Reach HD		ME	Reach	
Stick Length	2.65 m (8'8")	3.20 m (10'6")	3.75 m (12'4")	2.65 m HD (8'8")	3.20 m HD (10'6")	2.50 m (8'2")	2.65 m (8'8")	3.20 m (10'6")
P224 Secondary Pulverizer	✓	✓	✓	✓	✓	✓	✓	✓
P324 Primary Pulverizer	✓	✓	✓	✓	✓	✓	✓	✓
P232 Secondary Pulverizer						✓		
P332 Primary Pulverizer	✓	✓	✓*	✓	✓	✓	✓	✓
P332 Flat Top Primary Pulverizer						✓		

Cat Pin Grabber Coupler

Undercarriage	L
Counterweight	6.7 mt
Boom Type	ME
Stick Length	2.50 m (8'2")
P224	✓
P232	✓
P324	✓
P332	✓
P332 Flat Top	✓

CS-45 S Dedicated Coupler

Undercarriage	L					LN	
Counterweight	6.7 mt					6.7 mt	
Boom Type	Reach		Reach HD		ME	Reach	
Stick Length	2.65 m (8'8")	3.20 m (10'6")	2.65 m HD (8'8")	3.20 m HD (10'6")	2.50 m (8'2")	2.65 m (8'8")	3.20 m (10'6")
P224	✓	✓	✓	✓	✓	✓	✓
P232	✓*				✓		
P324	✓	✓	✓	✓	✓	✓	✓
P332	✓	✓*	✓		✓	✓*	
P332 Flat Top	✓*				✓		

CW-45 Dedicated Coupler

Undercarriage	L					LN	
Counterweight	6.7 mt					6.7 mt	
Boom Type	Reach		Reach HD		ME	Reach	
Stick Length	2.65 m (8'8")	3.20 m (10'6")	2.65 m HD (8'8")	3.20 m HD (10'6")	2.50 m (8'2")	2.65 m (8'8")	3.20 m (10'6")
P224	✓	✓	✓	✓	✓	✓	✓
P232	✓*				✓		
P324	✓	✓	✓	✓	✓	✓	✓
P332	✓		✓		✓	✓*	
P332 Flat Top	✓*				✓		

(continued on next page)

Pulverizer Technical Specifications

Matching – Tracked Excavators *(continued)*

 Match

 * Working Range Front Only

 No Match

330 *(continued)*

S70 Dedicated Coupler

Undercarriage	L		LN	
Counterweight	6.7 mt		6.7 mt	
Boom Type	Reach		Reach	
Stick Length	2.65 m (8'8")	3.20 m (10'6")	2.65 m (8'8")	3.20 m (10'6")
P224	✓	✓	✓	✓
P324	✓	✓	✓	✓

S80 Dedicated Coupler

Undercarriage	L		LN	
Counterweight	6.7 mt		6.7 mt	
Boom Type	Reach		Reach	
Stick Length	2.65 m (8'8")	3.20 m (10'6")	2.65 m (8'8")	3.20 m (10'6")
P224	✓	✓	✓	✓
P232	✓*			
P324	✓	✓	✓	✓
P332 Flat Top	✓*			

HCS70 Dedicated Coupler

Undercarriage	L		LN	
Counterweight	6.7 mt		6.7 mt	
Boom Type	Reach		Reach	
Stick Length	2.65 m (8'8")	3.20 m (10'6")	2.65 m (8'8")	3.20 m (10'6")
P224	✓	✓	✓	✓
P324	✓	✓	✓	✓

HCS70-55 Dedicated Coupler

Undercarriage	L		LN	
Counterweight	6.7 mt		6.7 mt	
Boom Type	Reach		Reach	
Stick Length	2.65 m (8'8")	3.20 m (10'6")	2.65 m (8'8")	3.20 m (10'6")
P224	✓	✓	✓	✓
P324	✓	✓	✓	✓

HCS80 Dedicated Coupler

Undercarriage	L		LN	
Counterweight	6.7 mt		6.7 mt	
Boom Type	Reach		Reach	
Stick Length	2.65 m (8'8")	3.20 m (10'6")	2.65 m (8'8")	3.20 m (10'6")
P224	✓	✓	✓	✓*
P232	✓*			
P324	✓	✓	✓	✓*

(continued on next page)

Matching – Tracked Excavators *(continued)*

 Match

 * Working Range Front Only

 No Match

335F CR

Pin-on

Undercarriage	L		
Counterweight	—		
Boom Type	Reach HD		
Stick Length	2.65 m HD (8'8")	3.20 m HD (10'6")	3.75 m HD (12'4")
P224 Secondary Pulverizer	✓	✓	✓
P324 Primary Pulverizer	✓	✓	✓
P332 Primary Pulverizer	✓	✓	✓*

Cat Pin Grabber Coupler

Undercarriage	L		
Counterweight	—		
Boom Type	Reach HD		
Stick Length	2.65 m HD (8'8")	3.20 m HD (10'6")	3.75 m HD (12'4")
P224	✓	✓	
P324	✓	✓	✓*
P332	✓*		

CS-45 S Dedicated Coupler

Undercarriage	L	
Counterweight	—	
Boom Type	Reach HD	
Stick Length	2.65 m HD (8'8")	3.20 m HD (10'6")
P224	✓	✓
P324	✓	✓
P332	✓*	

CW-45 Dedicated Coupler

Undercarriage	L	
Counterweight	—	
Boom Type	Reach HD	
Stick Length	2.65 m HD (8'8")	3.20 m HD (10'6")
P224	✓	✓
P324	✓	✓
P332	✓*	

S70 Dedicated Coupler

Undercarriage	L	
Counterweight	—	
Boom Type	Reach HD	
Stick Length	2.65 m HD (8'8")	3.20 m HD (10'6")
P224	✓	✓
P324	✓	✓

(continued on next page)

Pulverizer Technical Specifications

Matching – Tracked Excavators *(continued)*

 Match

 Working Range Front Only

 No Match

335F CR *(continued)*

S80 Dedicated Coupler

Undercarriage	L	
Counterweight	—	
Boom Type	Reach HD	
Stick Length	2.65 m HD (8'8")	3.20 m HD (10'6")
P224	✓	✓
P324	✓	✓

HCS70 Dedicated Coupler

Undercarriage	L	
Counterweight	—	
Boom Type	Reach HD	
Stick Length	2.65 m HD (8'8")	3.20 m HD (10'6")
P224	✓	✓
P324	✓	✓

HCS70-55 Dedicated Coupler

Undercarriage	L	
Counterweight	—	
Boom Type	Reach HD	
Stick Length	2.65 m HD (8'8")	3.20 m HD (10'6")
P224	✓	✓
P324	✓	✓

HCS80 Dedicated Coupler

Undercarriage	L	
Counterweight	—	
Boom Type	Reach HD	
Stick Length	2.65 m HD (8'8")	3.20 m HD (10'6")
P224	✓	✓*
P324	✓	✓

335

Pin-on

Undercarriage	L		L with Blade		L with Blade (up)	
Counterweight	7.7 mt		5.0 mt		5.0 mt	
Boom Type	Reach		Reach		Reach	
Stick Length	3.20 m (10'6")	3.75 m (12'4")	3.20 m (10'6")	3.75 m (12'4")	3.20 m (10'6")	3.75 m (12'4")
P224 Secondary Pulverizer	✓	✓	✓	✓	✓	✓
P324 Primary Pulverizer	✓	✓	✓	✓	✓	✓
P332 Primary Pulverizer	✓	✓*	✓*		✓*	

(continued on next page)

Matching – Tracked Excavators *(continued)*

 Match

 * Working Range Front Only

 No Match

335 *(continued)*

CS-45 S Dedicated Coupler

Undercarriage	L		L with Blade	
Counterweight	7.7 mt		5.0 mt	
Boom Type	Reach		Reach	
Stick Length	3.20 m (10'6")	3.75 m (12'4")	3.20 m (10'6")	3.20 m (10'6")
P224	✓	✓*	✓*	✓*
P324	✓	✓*	✓*	✓*

CW-45 Dedicated Coupler

Undercarriage	L		L with Blade	
Counterweight	7.7 mt		5.0 mt	
Boom Type	Reach		Reach	
Stick Length	3.20 m (10'6")	3.75 m (12'4")	3.20 m (10'6")	3.20 m (10'6")
P224	✓	✓*	✓*	✓*
P324	✓	✓*	✓*	✓*

S70 Dedicated Coupler

Undercarriage	L		L with Blade		L with Blade (up)	
Counterweight	7.7 mt		5.0 mt		5.0 mt	
Boom Type	Reach		Reach		Reach	
Stick Length	3.20 m (10'6")	3.75 m (12'4")	3.20 m (10'6")	3.75 m (12'4")	3.20 m (10'6")	3.75 m (12'4")
P224	✓	✓	✓	✓*	✓	✓*
P324	✓	✓	✓	✓*	✓	✓*

S80 Dedicated Coupler

Undercarriage	L		L with Blade	L with Blade (up)
Counterweight	7.7 mt		5.0 mt	5.0 mt
Boom Type	Reach		Reach	Reach
Stick Length	3.20 m (10'6")	3.75 m (12'4")	3.20 m (10'6")	3.20 m (10'6")
P224	✓	✓*	✓*	✓*
P324	✓	✓*	✓*	✓*

HCS70 Dedicated Coupler

Undercarriage	L		L with Blade	L with Blade (up)
Counterweight	7.7 mt		5.0 mt	5.0 mt
Boom Type	Reach		Reach	Reach
Stick Length	3.20 m (10'6")	3.75 m (12'4")	3.20 m (10'6")	3.20 m (10'6")
P224	✓	✓	✓*	✓*
P324	✓	✓	✓*	✓*

HCS70-55 Dedicated Coupler

Undercarriage	L		L with Blade	L with Blade (up)
Counterweight	7.7 mt		5.0 mt	5.0 mt
Boom Type	Reach		Reach	Reach
Stick Length	3.20 m (10'6")	3.75 m (12'4")	3.20 m (10'6")	3.20 m (10'6")
P224	✓	✓*	✓*	✓*
P324	✓	✓*	✓*	✓*

(continued on next page)

Pulverizer Technical Specifications

Matching – Tracked Excavators *(continued)*

 Match

 Working Range Front Only

 No Match

335 *(continued)*

HCS80 Dedicated Coupler

Undercarriage	L		L with Blade	L with Blade (up)
Counterweight	7.7 mt		5.0 mt	5.0 mt
Boom Type	Reach		Reach	Reach
Stick Length	3.20 m (10'6")	3.75 m (12'4")	3.20 m (10'6")	3.20 m (10'6")
P224	✓	✓*	✓*	✓*
P324	✓	✓*	✓*	✓*

336D2 GC

Pin-on

Undercarriage	—
Counterweight	—
Boom Type	Reach
Stick Length	2.80 m (9'2")
P224 Secondary Pulverizer	✓
P324 Primary Pulverizer	✓
P232 Secondary Pulverizer	✓*
P332 Primary Pulverizer	✓
P332 Flat Top Primary Pulverizer	✓*

Cat Pin Grabber Coupler

Undercarriage	—
Counterweight	—
Boom Type	Reach
Stick Length	2.80 m (9'2")
P224	✓
P324	✓

CS-45 S Dedicated Coupler

Undercarriage	—
Counterweight	—
Boom Type	Reach
Stick Length	2.80 m (9'2")
P224	✓
P324	✓

CW-45 Dedicated Coupler

Undercarriage	—
Counterweight	—
Boom Type	Reach
Stick Length	2.80 m (9'2")
P224	✓
P232	
P324	✓
P332	
P332 Flat Top	

(continued on next page)

Matching – Tracked Excavators *(continued)*

 Match

 Working Range Front Only

 No Match

336D2

Cat Pin Grabber Coupler

Undercarriage	L				
Counterweight	—				
Boom Type	Reach HD			ME	
Stick Length	3.20 m (10'6")	3.90 m (12'10")	3.20 m HD (10'6")	2.15 m (7'1")	2.55 m (8'4")
P224	✓	✓*	✓		
P232				✓*	
P324	✓	✓*	✓		
P332				✓	✓*
P332 Flat Top				✓*	

CW-45 Dedicated Coupler

Undercarriage	L				
Counterweight	—				
Boom Type	Reach HD			ME	
Stick Length	3.20 m (10'6")	3.90 m (12'10")	3.20 m HD (10'6")	2.15 m (7'1")	2.55 m (8'4")
P224	✓	✓*	✓		
P232				✓	✓*
P324	✓	✓*	✓		
P332	✓*			✓	✓
P332 Flat Top				✓	✓*

336D2 XE

Pin-on

Undercarriage	L		
Counterweight	—		
Boom Type	Reach HD	ME	
Stick Length	3.20 m (10'6")	2.15 m (7'1")	2.55 m (8'4")
P224	✓		
P324	✓		
P232	✓	✓	✓
P332	✓	✓	✓
P332 Flat Top	✓	✓	✓

Cat Pin Grabber Coupler

Undercarriage	L		
Counterweight	—		
Boom Type	Reach HD	ME	
Stick Length	3.20 m (10'6")	2.15 m (7'1")	2.55 m (8'4")
P224	✓		
P232		✓*	
P324	✓		
P332		✓	✓*
P332 Flat Top		✓*	

(continued on next page)

Pulverizer Technical Specifications

Matching – Tracked Excavators *(continued)*

 Match

 * Working Range Front Only

 No Match

336D2 XE *(continued)*

CW-45 Dedicated Coupler

Undercarriage	L		
Counterweight	—		
Boom Type	Reach HD	ME	
Stick Length	3.20 m (10'6")	2.15 m (7'1")	2.55 m (8'4")
P224	✓		
P232		✓	✓*
P324	✓		
P332	✓*	✓	✓
P332 Flat Top		✓	✓*

336E

Pin-on

Undercarriage	L					
Counterweight	6.0 mt					
Boom Type	Reach HD			Reach ES	ME	
Stick Length	2.80 m HD (9'2")	3.20 m HD (10'6")	3.90 m HD (12'10")	3.20 m ES (10'6")	2.15 m (7'1")	2.55 m (8'4")
P224 Secondary Pulverizer	✓	✓	✓	✓		
P324 Primary Pulverizer	✓	✓	✓	✓		
P232 Secondary Pulverizer	✓	✓	✓*	✓	✓	✓
P332 Primary Pulverizer	✓	✓	✓	✓	✓	✓
P332 Flat Top Primary Pulverizer	✓	✓	✓*	✓	✓	✓

Pin-on *(continued)*

Undercarriage	L			LN				
Counterweight	7.0 mt			6.0 mt			6.0 mt	
Boom Type	Reach ES		ME	Reach HD		Reach ES	ME	
Stick Length	3.20 m ES (10'6")	3.90 m ES (12'10")	2.55 m (8'4")	2.80 m HD (9'2")	3.20 m HD (10'6")	3.20 m ES (10'6")	2.15 m (7'1")	2.55 m (8'4")
P224 Secondary Pulverizer	✓	✓		✓	✓	✓		
P324 Primary Pulverizer	✓	✓		✓	✓	✓		
P232 Secondary Pulverizer	✓	✓	✓	✓	✓*		✓	✓
P332 Primary Pulverizer	✓	✓	✓	✓	✓	✓	✓	✓
P332 Flat Top Primary Pulverizer	✓	✓	✓	✓	✓*		✓	✓

Cat Pin Grabber Coupler

Undercarriage	L					
Counterweight	6.0 mt					
Boom Type	Reach HD			Reach ES	ME	
Stick Length	2.80 m HD (9'2")	3.20 m HD (10'6")	3.90 m HD (12'10")	3.20 m ES (10'6")	2.15 m (7'1")	2.55 m (8'4")
P224	✓	✓	✓	✓		
P232	✓*	✓*			✓*	
P324	✓	✓	✓	✓		
P332	✓	✓			✓	✓*
P332 Flat Top	✓*	✓*			✓*	

(continued on next page)

Matching – Tracked Excavators *(continued)*

 Match

 * Working Range Front Only

 No Match

Cat Pin Grabber Coupler *(continued)*

Undercarriage	L			LN			
Counterweight	7.0 mt			6.0 mt			
Boom Type	Reach ES		ME	Reach HD		Reach ES	ME
Stick Length	3.20 m ES (10'6")	3.90 m ES (12'10")	2.55 m (8'4")	2.80 m HD (9'2")	3.20 m HD (10'6")	3.20 m ES (10'6")	2.15 m (7'1")
P224	✓	✓		✓	✓	✓*	
P232	✓		✓				
P324	✓	✓		✓	✓	✓*	
P332	✓	✓*	✓				✓*
P332 Flat Top	✓		✓				

CS-45 S Dedicated Coupler

Undercarriage	L				
Counterweight	6.0 mt				
Boom Type	Reach HD		Reach ES	ME	
Stick Length	2.80 m HD (9'2")	3.20 m HD (10'6")	3.20 m ES (10'6")	2.15 m (7'1")	2.55 m (8'4")
P224	✓	✓	✓		
P232	✓	✓*		✓	✓
P324	✓	✓	✓		
P332	✓	✓	✓*	✓	✓
P332 Flat Top	✓*	✓*		✓	✓

CS-45 S Dedicated Coupler *(continued)*

Undercarriage	LN				
Counterweight	6.0 mt				
Boom Type	Reach HD		Reach ES	ME	
Stick Length	2.80 m HD (9'2")	3.20 m HD (10'6")	3.20 m ES (10'6")	2.15 m (7'1")	2.55 m (8'4")
P224	✓	✓	✓		
P232				✓	✓*
P324	✓	✓	✓		
P332	✓*			✓	✓
P332 Flat Top				✓	✓*

CW-45 Dedicated Coupler

Undercarriage	L				
Counterweight	6.0 mt				
Boom Type	Reach HD		Reach ES	ME	
Stick Length	2.80 m HD (9'2")	3.20 m HD (10'6")	3.20 m ES (10'6")	2.15 m (7'1")	2.55 m (8'4")
P224	✓	✓	✓		
P232	✓*			✓	✓
P324	✓	✓	✓		
P332	✓	✓	✓*	✓	✓
P332 Flat Top	✓*			✓	✓

(continued on next page)

Pulverizer Technical Specifications

Matching – Tracked Excavators *(continued)*

Match Working Range Front Only No Match

CW-45 Dedicated Coupler *(continued)*

Undercarriage	LN				
Counterweight	6.0 mt				
Boom Type	Reach HD		Reach ES	ME	
Stick Length	2.80 m HD (9'2")	3.20 m HD (10'6")	3.20 m ES (10'6")	2.15 m (7'1")	2.55 m (8'4")
P224	✓	✓	✓		
P232				✓	✓*
P324	✓	✓	✓		
P332	✓*			✓	✓
P332 Flat Top				✓	✓*

336F

Pin-on

Undercarriage	L						
Counterweight	6.0 mt			7.0 mt			
Boom Type	Reach HD		Reach HD			Reach ES	
Stick Length	3.20 m HD (10'6")	3.90 m HD (12'10")	2.80 m HD (9'2")	3.20 m HD (10'6")	3.90 m HD (12'10")	3.20 m ES (10'6")	3.90 m ES (12'10")
P224 Secondary Pulverizer	✓	✓	✓	✓	✓	✓	✓
P324 Primary Pulverizer	✓	✓	✓	✓	✓	✓	✓
P232 Secondary Pulverizer	✓	✓	✓	✓	✓	✓	✓
P332 Primary Pulverizer	✓	✓	✓	✓	✓	✓	✓
P332 Flat Top Primary Pulverizer	✓	✓	✓	✓	✓	✓	✓

Pin-on *(continued)*

Undercarriage	L			LN			
Counterweight	8.45 mt		7.0 mt			8.45 mt	
Boom Type	Straight		Reach HD			Straight	
Stick Length	3.20 m HD (10'6")	3.90 m HD (12'10")	2.80 m HD (9'2")	3.20 m HD (10'6")	3.90 m HD (12'10")	3.20 m HD (10'6")	3.90 m HD (12'10")
P224 Secondary Pulverizer	✓	✓	✓	✓	✓	✓	✓
P324 Primary Pulverizer	✓	✓	✓	✓	✓	✓	✓
P232 Secondary Pulverizer	✓		✓	✓	✓*	✓	
P332 Primary Pulverizer	✓	✓	✓	✓	✓	✓	✓
P332 Flat Top Primary Pulverizer	✓	✓	✓	✓	✓*	✓	✓

Cat Pin Grabber Coupler

Undercarriage	L						
Counterweight	6.0 mt			7.0 mt			
Boom Type	Reach HD		Reach HD			Reach ES	
Stick Length	3.20 m HD (10'6")	3.90 m HD (12'10")	2.80 m HD (9'2")	3.20 m HD (10'6")	3.90 m HD (12'10")	3.20 m ES (10'6")	3.90 m ES (12'10")
P224	✓	✓	✓	✓	✓	✓	✓
P232	✓*		✓	✓		✓	
P324	✓	✓	✓	✓	✓	✓	✓
P332	✓		✓	✓	✓	✓	✓*
P332 Flat Top	✓*		✓	✓		✓	

(continued on next page)

Pulverizer Technical Specifications

Matching – Tracked Excavators *(continued)*

 Match

 Working Range Front Only

 No Match

336F *(continued)*

Cat Pin Grabber Coupler *(continued)*

Undercarriage	L			LN			
Counterweight	8.45 mt			7.0 mt		8.45 mt	
Boom Type	Straight			Reach HD		Straight	
Stick Length	3.20 m HD (10'6")	3.90 m HD (12'10")	2.80 m HD (9'2")	3.20 m HD (10'6")	3.90 m HD (12'10")	3.20 m HD (10'6")	3.90 m HD (12'10")
P224	✓	✓	✓	✓	✓	✓	✓
P232			✓*	✓*			
P324	✓	✓	✓	✓	✓	✓	✓
P332	✓		✓	✓		✓	
P332 Flat Top			✓*				

CS-45 S Dedicated Coupler

Undercarriage	L				
Counterweight	7.0 mt			8.45 mt	
Boom Type	Reach HD			Straight	
Stick Length	2.80 m HD (9'2")	3.20 m HD (10'6")	3.90 m HD (12'10")	3.20 m HD (10'6")	3.90 m HD (12'10")
P224	✓	✓	✓	✓	✓
P232	✓	✓	✓*		
P324	✓	✓	✓	✓	✓
P332	✓	✓	✓	✓	✓
P332 Flat Top	✓	✓	✓*	✓	

CS-45 S Dedicated Coupler *(continued)*

Undercarriage	LN				
Counterweight	7.0 mt			8.45 mt	
Boom Type	Reach HD			Straight	
Stick Length	2.80 m HD (9'2")	3.20 m HD (10'6")	3.90 m HD (12'10")	3.20 m HD (10'6")	3.90 m HD (12'10")
P224	✓	✓	✓	✓	✓
P232	✓	✓*			
P324	✓	✓	✓	✓	✓
P332	✓	✓	✓*	✓	✓*
P332 Flat Top	✓	✓*		✓*	

CW-45 Dedicated Coupler

Undercarriage	L				
Counterweight	7.0 mt			8.45 mt	
Boom Type	Reach HD			Straight	
Stick Length	2.80 m HD (9'2")	3.20 m HD (10'6")	3.90 m HD (12'10")	3.20 m HD (10'6")	3.90 m HD (12'10")
P224	✓	✓	✓	✓	✓
P232	✓	✓			
P324	✓	✓	✓	✓	✓
P332	✓	✓	✓	✓	✓
P332 Flat Top	✓	✓			

(continued on next page)

Pulverizer Technical Specifications

Matching – Tracked Excavators *(continued)*

Match Working Range Front Only No Match

CW-45 Dedicated Coupler *(continued)*

Undercarriage	LN				
Counterweight	7.0 mt			8.45 mt	
Boom Type	Reach HD			Straight	
Stick Length	2.80 m HD (9'2")	3.20 m HD (10'6")	3.90 m HD (12'10")	3.20 m HD (10'6")	3.90 m HD (12'10")
P224	✓	✓	✓	✓	✓
P232	✓	✓*			
P324	✓	✓	✓	✓	✓
P332	✓	✓		✓	✓*
P332 Flat Top	✓*	✓*			

S80 Dedicated Coupler

Undercarriage	L				
Counterweight	7.0 mt			8.45 mt	
Boom Type	Reach HD			Straight	
Stick Length	2.80 m HD (9'2")	3.20 m HD (10'6")	3.90 m HD (12'10")	3.20 m HD (10'6")	3.90 m HD (12'10")
P224	✓	✓	✓	✓	✓
P232	✓	✓	✓*		
P324	✓	✓	✓	✓	✓
P332 Flat Top	✓	✓	✓*	✓	

S80 Dedicated Coupler *(continued)*

Undercarriage	LN				
Counterweight	7.0 mt			8.45 mt	
Boom Type	Reach HD			Straight	
Stick Length	2.80 m HD (9'2")	3.20 m HD (10'6")	3.90 m HD (12'10")	3.20 m HD (10'6")	3.90 m HD (12'10")
P224	✓	✓	✓	✓	✓
P232	✓	✓*			
P324	✓	✓	✓	✓	✓
P332 Flat Top	✓	✓*		✓	

336F XE

Pin-on

Undercarriage	L						
Counterweight	5.05 mt			6.05 mt			
Boom Type	Reach HD			Reach HD			
Stick Length	3.20 m HD (10'6")	3.90 m HD (12'10")	2.80 m HD (9'2")	3.20 m HD (10'6")	3.90 m HD (12'10")	3.20 m ES (10'6")	3.90 m ES (12'10")
P224	✓	✓	✓	✓	✓	✓	✓
P324	✓	✓	✓	✓	✓	✓	✓
P232	✓	✓	✓	✓	✓	✓	✓
P332	✓	✓	✓	✓	✓	✓	✓
P332 Flat Top	✓	✓	✓	✓	✓	✓	✓

(continued on next page)

Matching – Tracked Excavators *(continued)*

 Match

 Working Range Front Only

 No Match

336F XE *(continued)*

Pin-on *(continued)*

Undercarriage	LN		
Counterweight	6.05 mt		
Boom Type	Reach HD		
Stick Length	2.80 m HD (9'2")	3.20 m HD (10'6")	3.90 m HD (12'10")
P224	✓	✓	✓
P324	✓	✓	✓
P232	✓	✓	✓*
P332	✓	✓	✓
P332 Flat Top	✓	✓	✓*

Cat Pin Grabber Coupler

Undercarriage	L						
Counterweight	5.05 mt			6.05 mt			
Boom Type	Reach HD		Reach HD			Reach ES	
Stick Length	3.20 m HD (10'6")	3.90 m HD (12'10")	2.80 m HD (9'2")	3.20 m HD (10'6")	3.90 m HD (12'10")	3.20 m ES (10'6")	3.90 m ES (12'10")
P224	✓	✓	✓	✓	✓	✓	✓
P232	✓*		✓	✓		✓	
P324	✓	✓	✓	✓	✓	✓	✓
P332	✓		✓	✓	✓	✓	✓*
P332 Flat Top	✓*		✓	✓		✓	

Cat Pin Grabber Coupler *(continued)*

Undercarriage	LN		
Counterweight	6.05 mt		
Boom Type	Reach HD		
Stick Length	2.80 m HD (9'2")	3.20 m HD (10'6")	3.90 m HD (12'10")
P224	✓	✓	✓
P324	✓*	✓*	
P232	✓	✓	✓
P332	✓	✓	
P332 Flat Top	✓*		

CS-45 S Dedicated Coupler

Undercarriage	L			LN		
Counterweight	6.05 mt			6.05 mt		
Boom Type	Reach HD			Reach HD		
Stick Length	2.80 m HD (9'2")	3.20 m HD (10'6")	3.90 m HD (12'10")	2.80 m HD (9'2")	3.20 m HD (10'6")	3.90 m HD (12'10")
P224	✓	✓	✓	✓	✓	✓
P232	✓	✓	✓*	✓	✓*	
P324	✓	✓	✓	✓	✓	✓
P332	✓	✓	✓	✓	✓	✓*
P332 Flat Top	✓	✓	✓*	✓	✓*	

(continued on next page)

Pulverizer Technical Specifications

Matching – Tracked Excavators *(continued)*

Match

* Working Range Front Only

No Match

336F XE *(continued)*

CW-45 Dedicated Coupler

Undercarriage	L			LN		
Counterweight	6.05 mt			6.05 mt		
Boom Type	Reach HD			Reach HD		
Stick Length	2.80 m HD (9'2")	3.20 m HD (10'6")	3.90 m HD (12'10")	2.80 m HD (9'2")	3.20 m HD (10'6")	3.90 m HD (12'10")
P224	✓	✓	✓	✓	✓	✓
P232	✓	✓		✓	✓*	
P324	✓	✓	✓	✓	✓	✓
P332	✓	✓	✓	✓	✓	
P332 Flat Top	✓	✓		✓*	✓*	

S80 Dedicated Coupler

Undercarriage	L			LN		
Counterweight	6.05 mt			6.05 mt		
Boom Type	Reach HD			Reach HD		
Stick Length	2.80 m HD (9'2")	3.20 m HD (10'6")	3.90 m HD (12'10")	2.80 m HD (9'2")	3.20 m HD (10'6")	3.90 m HD (12'10")
P224	✓	✓	✓	✓	✓	✓
P232	✓	✓	✓*	✓	✓*	
P324	✓	✓	✓	✓	✓	✓
P332 Flat Top	✓	✓	✓*	✓	✓*	

HCS80 Dedicated Coupler

Undercarriage	L				
Counterweight	7.0 mt			8.45 mt	
Boom Type	Reach HD			Straight	
Stick Length	2.80 m HD (9'2")	3.20 m HD (10'6")	3.90 m HD (12'10")	3.20 m HD (10'6")	3.90 m HD (12'10")
P224	✓	✓	✓	✓	✓
P232	✓	✓			
P324	✓	✓	✓	✓	✓
P332 Flat Top	✓	✓			

HCS80 Dedicated Coupler *(continued)*

Undercarriage	LN				
Counterweight	7.0 mt			8.45 mt	
Boom Type	Reach HD			Straight	
Stick Length	2.80 m HD (9'2")	3.20 m HD (10'6")	3.90 m HD (12'10")	3.20 m HD (10'6")	3.90 m HD (12'10")
P224	✓	✓	✓	✓	✓
P232	✓*	✓*			
P324	✓	✓	✓	✓	✓
P332 Flat Top	✓*	✓*			

(continued on next page)

Pulverizer Technical Specifications

Matching – Tracked Excavators *(continued)*

 Match

 * Working Range Front Only

 No Match

336 GC

Pin-on

Undercarriage	—				L			
Counterweight	6.8 mt				6.8 mt			
Boom Type	Reach			ME	Reach			ME
Stick Length	2.80 m (9'2")	3.20 m (10'6")	3.90 m (12'10")	2.55 m (8'4")	2.80 m (9'2")	3.20 m (10'6")	3.90 m (12'10")	2.55 m (8'4")
P224 Secondary Pulverizer	✓	✓	✓		✓	✓	✓	
P324 Primary Pulverizer	✓	✓	✓		✓	✓	✓	
P232 Secondary Pulverizer	✓	✓		✓	✓	✓		✓
P332 Primary Pulverizer	✓	✓	✓	✓	✓	✓	✓	✓
P332 Flat Top Primary Pulverizer	✓	✓		✓	✓	✓		✓

Pin-on *(continued)*

Undercarriage	LN		
Counterweight	6.8 mt		
Boom Type	Reach		ME
Stick Length	2.80 m (9'2")	3.20 m (10'6")	2.55 m (8'4")
P224 Secondary Pulverizer	✓	✓	
P324 Primary Pulverizer	✓	✓	
P232 Secondary Pulverizer	✓	✓*	✓
P332 Primary Pulverizer	✓	✓	✓
P332 Flat Top Primary Pulverizer	✓	✓*	✓

Cat Pin Grabber Coupler

Undercarriage	—				L		
Counterweight	6.8 mt			6.8 mt	6.8 mt		
Boom Type	Reach			ME	Reach		
Stick Length	2.80 m (9'2")	3.20 m (10'6")	3.90 m (12'10")	2.55 m (8'4")	2.80 m (9'2")	3.20 m (10'6")	3.90 m (12'10")
P224	✓	✓	✓		✓	✓	✓
P232	✓*				✓*		
P324	✓	✓	✓		✓	✓	✓
P332	✓	✓*		✓*	✓	✓	
P332 Flat Top	✓*				✓*		

Cat Pin Grabber Coupler *(continued)*

Undercarriage	LN	
Counterweight	6.8 mt	
Boom Type	Reach	
Stick Length	2.80 m (9'2")	3.20 m (10'6")
P224	✓	✓
P232		
P324	✓	✓
P332	✓*	
P332 Flat Top		

(continued on next page)

Pulverizer Technical Specifications

Matching – Tracked Excavators *(continued)*

 Match

 * Working Range Front Only

 No Match

336 GC *(continued)*

CS-45 S Dedicated Coupler

Undercarriage	—			L		
Counterweight	6.8 mt			6.8 mt		
Boom Type	Reach		ME	Reach		ME
Stick Length	2.80 m (9'2")	3.20 m (10'6")	2.55 m (8'4")	2.80 m (9'2")	3.20 m (10'6")	2.55 m (8'4")
P224	✓	✓		✓	✓	
P232	✓*	✓*	✓*	✓	✓*	✓
P324	✓	✓		✓	✓	
P332	✓	✓	✓	✓	✓	✓
P332 Flat Top	✓*		✓*	✓	✓*	✓

CS-45 S Dedicated Coupler *(continued)*

Undercarriage	LN		
Counterweight	6.8 mt		
Boom Type	Reach		ME
Stick Length	2.80 m (9'2")	3.20 m (10'6")	2.55 m (8'4")
P224	✓	✓	
P232			✓*
P324	✓	✓	
P332	✓	✓*	✓
P332 Flat Top			✓*

CW-45 Dedicated Coupler

Undercarriage	—			L		
Counterweight	6.8 mt			6.8 mt		
Boom Type	ME	Reach		ME	Reach	
Stick Length	2.55 m (8'4")	2.80 m (9'2")	3.20 m (10'6")	2.55 m (8'4")	2.80 m (9'2")	3.20 m (10'6")
P224		✓	✓		✓	✓
P232	✓*	✓*		✓*	✓*	✓*
P324		✓	✓		✓	✓
P332	✓	✓	✓*	✓	✓	✓
P332 Flat Top	✓*	✓*		✓*	✓*	✓*

CW-45 Dedicated Coupler *(continued)*

Undercarriage	LN		
Counterweight	6.8 mt		
Boom Type	ME	Reach	
Stick Length	2.55 m (8'4")	2.80 m (9'2")	3.20 m (10'6")
P224		✓	✓
P232			
P324		✓	✓
P332	✓	✓*	
P332 Flat Top			

(continued on next page)

Pulverizer Technical Specifications

Matching – Tracked Excavators *(continued)*

 Match

 * Working Range Front Only

 No Match

336 GC *(continued)*

S80 Dedicated Coupler

Undercarriage	—		L		LN	
Counterweight	6.8 mt		6.8 mt		6.8 mt	
Boom Type	Reach		Reach		Reach	
Stick Length	2.80 m (9'2")	3.20 m (10'6")	2.80 m (9'2")	3.20 m (10'6")	2.80 m (9'2")	3.20 m (10'6")
P224	✓	✓	✓	✓	✓	✓
P232	✓*	✓*	✓	✓*		
P324	✓	✓	✓	✓	✓	✓
P332 Flat Top	✓*		✓	✓*		

HCS80 Dedicated Coupler

Undercarriage	—		L		LN	
Counterweight	6.8 mt		6.8 mt		6.8 mt	
Boom Type	Reach		Reach		Reach	
Stick Length	2.80 m (9'2")	3.20 m (10'6")	2.80 m (9'2")	3.20 m (10'6")	2.80 m (9'2")	3.20 m (10'6")
P224	✓	✓	✓	✓	✓	✓
P232	✓*			✓*		
P324	✓	✓	✓	✓	✓	✓
P332 Flat Top	✓*		✓*			

336

Pin-on

Undercarriage	L				
Counterweight	6.8 mt				
Boom Type	Reach		Reach HD		ME
Stick Length	3.20 m (10'6")	3.90 m (12'10")	2.80 m HD (9'2")	3.20 m HD (10'6")	2.55 m (8'4")
P224 Secondary Pulverizer	✓	✓	✓	✓	
P324 Primary Pulverizer	✓	✓	✓	✓	
P232 Secondary Pulverizer	✓	✓	✓	✓	✓
P332 Primary Pulverizer	✓	✓	✓	✓	✓
P332 Flat Top Primary Pulverizer	✓	✓	✓	✓	✓

Pin-on *(continued)*

Undercarriage	L					
Counterweight	7.5 mt					
Boom Type	Reach			Reach HD		ME
Stick Length	2.80 m (9'2")	3.20 m (10'6")	3.90 m (12'10")	3.20 m HD (10'6")	3.90 m HD (12'10")	2.55 m (8'4")
P224 Secondary Pulverizer	✓	✓	✓	✓	✓	
P324 Primary Pulverizer	✓	✓	✓	✓	✓	
P232 Secondary Pulverizer	✓	✓	✓	✓	✓	✓
P332 Primary Pulverizer	✓	✓	✓	✓	✓	✓
P332 Flat Top Primary Pulverizer	✓	✓	✓	✓	✓	✓

(continued on next page)

Pulverizer Technical Specifications

Matching – Tracked Excavators *(continued)*

 Match

 * Working Range Front Only

 No Match

336 *(continued)*

Pin-on *(continued)*

Undercarriage	LN					
Counterweight	7.5 mt					
Boom Type	Reach			Reach HD		ME
Stick Length	2.80 m (9'2")	3.20 m (10'6")	3.90 m (12'10")	3.20 m HD (10'6")	3.90 m HD (12'10")	2.55 m (8'4")
P224 Secondary Pulverizer	✓	✓	✓	✓	✓	
P324 Primary Pulverizer	✓	✓	✓	✓	✓	
P232 Secondary Pulverizer	✓	✓	✓*	✓	✓*	✓
P332 Primary Pulverizer	✓	✓	✓	✓	✓	✓
P332 Flat Top Primary Pulverizer	✓	✓	✓*	✓	✓*	✓

Cat Pin Grabber Coupler

Undercarriage	L				
Counterweight	6.8 mt				
Boom Type	Reach		Reach HD		ME
Stick Length	3.20 m (10'6")	3.90 m (12'10")	2.80 m HD (9'2")	3.20 m HD (10'6")	2.55 m (8'4")
P224	✓	✓	✓	✓	
P232	✓*		✓*		✓*
P324	✓	✓	✓	✓	
P332	✓		✓	✓*	✓
P332 Flat Top	✓*		✓*		

Cat Pin Grabber Coupler *(continued)*

Undercarriage	L					
Counterweight	7.5 mt					
Boom Type	Reach			Reach HD		ME
Stick Length	2.80 m (9'2")	3.20 m (10'6")	3.90 m (12'10")	3.20 m HD (10'6")	3.90 m HD (12'10")	2.55 m (8'4")
P224	✓	✓	✓	✓	✓	
P232	✓	✓		✓		✓
P324	✓	✓	✓	✓	✓	
P332	✓	✓	✓*	✓	✓*	✓
P332 Flat Top	✓	✓		✓*		✓

Cat Pin Grabber Coupler *(continued)*

Undercarriage	LN					
Counterweight	7.5 mt					
Boom Type	Reach			Reach HD		ME
Stick Length	2.80 m (9'2")	3.20 m (10'6")	3.90 m (12'10")	3.20 m HD (10'6")	3.90 m HD (12'10")	2.55 m (8'4")
P224	✓	✓	✓	✓	✓*	
P232	✓*					
P324	✓	✓	✓	✓	✓*	
P332	✓	✓*		✓*		✓*
P332 Flat Top	✓*					

(continued on next page)

Pulverizer Technical Specifications

Matching – Tracked Excavators *(continued)*

 Match

 Working Range Front Only

 No Match

336 *(continued)*

CS-45 S Dedicated Coupler

Undercarriage	L						
Counterweight	6.8 mt			7.5 mt			
Boom Type	Reach		Reach	Reach HD	ME	Reach HD	ME
Stick Length	2.80 m (9'2")	3.20 m (10'6")	3.90 m (12'10")	3.20 m HD (10'6")	2.55 m (8'4")	3.20 m HD (10'6")	2.55 m (8'4")
P224	✓	✓	✓	✓		✓	
P232	✓	✓		✓*	✓	✓	✓
P324	✓	✓	✓	✓		✓	
P332	✓	✓	✓	✓	✓	✓	✓
P332 Flat Top	✓	✓	✓*	✓*	✓	✓	✓

CS-45 S Dedicated Coupler *(continued)*

Undercarriage	LN					
Counterweight	7.5 mt					
Boom Type	Reach			Reach HD		ME
Stick Length	2.80 m (9'2")	3.20 m (10'6")	3.90 m (12'10")	3.20 m HD (10'6")	3.90 m HD (12'10")	2.55 m (8'4")
P224	✓	✓	✓	✓	✓	
P232	✓	✓*		✓*		✓
P324	✓	✓	✓	✓	✓	
P332	✓	✓		✓		✓
P332 Flat Top	✓	✓*		✓*		✓

CW-45 Dedicated Coupler

Undercarriage	L							
Counterweight	6.8 mt				7.5 mt			
Boom Type	Reach HD		ME	Reach HD	ME	Reach		
Stick Length	2.80 m HD (9'2")	3.20 m HD (10'6")	2.55 m (8'4")	3.20 m HD (10'6")	2.55 m (8'4")	2.80 m (9'2")	3.20 m (10'6")	3.90 m (12'10")
P224	✓	✓		✓		✓	✓	✓
P232	✓*	✓*	✓	✓	✓	✓	✓	
P324	✓	✓		✓		✓	✓	✓
P332	✓	✓	✓	✓	✓	✓	✓	✓
P332 Flat Top	✓*	✓*	✓	✓	✓	✓	✓	

CW-45 Dedicated Coupler *(continued)*

Undercarriage	LN					
Counterweight	7.5 mt					
Boom Type	Reach HD		ME	Reach		
Stick Length	3.20 m HD (10'6")	3.90 m HD (12'10")	2.55 m (8'4")	2.80 m (9'2")	3.20 m (10'6")	3.90 m (12'10")
P224	✓	✓		✓	✓	✓
P232			✓	✓	✓*	
P324	✓	✓		✓	✓	✓
P332	✓*		✓	✓	✓	
P332 Flat Top			✓	✓	✓*	

(continued on next page)

Pulverizer Technical Specifications

Matching – Tracked Excavators *(continued)*

 Match

 * Working Range Front Only

 No Match

336 *(continued)*

S80 Dedicated Coupler

Undercarriage	L			
Counterweight	7.5 mt			
Boom Type	Reach HD	Reach		
Stick Length	3.20 m HD (10'6")	2.80 m (9'2")	3.20 m (10'6")	3.90 m (12'10")
P224	✓	✓	✓	✓
P232	✓	✓	✓	
P324	✓	✓	✓	✓
P332 Flat Top	✓	✓	✓	✓*

S80 Dedicated Coupler *(continued)*

Undercarriage	LN				
Counterweight	7.5 mt				
Boom Type	Reach HD		Reach		
Stick Length	3.20 m HD (10'6")	3.90 m HD (12'10")	2.80 m (9'2")	3.20 m (10'6")	3.90 m (12'10")
P224	✓	✓	✓	✓	✓
P232	✓*		✓	✓*	
P324	✓	✓	✓	✓	✓
P332 Flat Top	✓*		✓	✓*	

HCS80 Dedicated Coupler

Undercarriage	L			
Counterweight	7.5 mt			
Boom Type	Reach HD	Reach		
Stick Length	3.20 m HD (10'6")	2.80 m (9'2")	3.20 m (10'6")	3.90 m (12'10")
P224	✓	✓	✓	✓
P232	✓	✓	✓	
P324	✓	✓	✓	✓
P332 Flat Top	✓	✓	✓	

HCS80 Dedicated Coupler *(continued)*

Undercarriage	LN				
Counterweight	7.5 mt				
Boom Type	Reach HD		Reach		
Stick Length	3.20 m HD (10'6")	3.90 m HD (12'10")	2.80 m (9'2")	3.20 m (10'6")	3.90 m (12'10")
P224	✓	✓	✓	✓	✓
P232			✓	✓*	
P324	✓	✓	✓	✓	✓
P332 Flat Top			✓*	✓*	

(continued on next page)

Pulverizer Technical Specifications

Matching – Tracked Excavators *(continued)*

 Match

 Working Range Front Only

 No Match

340D2

Pin-on

Undercarriage	L					
Counterweight	—			8.5 mt		
Boom Type	Reach HD	ME		Reach HD	ME	
Stick Length	320 m HD (10'6")	2.15 m (7'1")	2.55 m (8'4")	320 m HD (10'6")	2.15 m (7'1")	2.55 m (8'4")
P232 Secondary Pulverizer	✓	✓	✓	✓	✓	✓
P332 Primary Pulverizer	✓	✓	✓	✓	✓	✓
P332 Flat Top Primary Pulverizer	✓	✓	✓	✓	✓	✓

Cat Pin Grabber Coupler

Undercarriage	L					
Counterweight	8.5 mt			—		
Boom Type	Reach HD	ME		Reach HD	ME	
Stick Length	320 m HD (10'6")	2.15 m (7'1")	2.55 m (8'4")	320 m HD (10'6")	2.15 m (7'1")	2.55 m (8'4")
P232	✓	✓	✓	✓	✓	✓
P332	✓	✓	✓	✓	✓	✓
P332 Flat Top	✓	✓	✓	✓	✓	✓

CS-45 S Dedicated Coupler

Undercarriage	L					
Counterweight	—			8.5 mt		
Boom Type	Reach HD	ME		Reach HD	ME	
Stick Length	320 m HD (10'6")	2.15 m (7'1")	2.55 m (8'4")	320 m HD (10'6")	2.15 m (7'1")	2.55 m (8'4")
P232	✓	✓	✓	✓	✓	✓
P332	✓	✓	✓	✓	✓	✓
P332 Flat Top	✓	✓	✓	✓	✓	✓

CW-45 Dedicated Coupler

Undercarriage	L					
Counterweight	8.5 mt			—		
Boom Type	Reach HD	ME		Reach HD	ME	
Stick Length	320 m HD (10'6")	2.15 m (7'1")	2.55 m (8'4")	320 m HD (10'6")	2.15 m (7'1")	2.55 m (8'4")
P232	✓	✓	✓	✓	✓	✓
P332	✓	✓	✓	✓	✓	✓
P332 Flat Top	✓	✓	✓	✓	✓	✓

340F

Pin-on

Undercarriage	L	
Counterweight	7.0 mt	
Boom Type	Reach HD	
Stick Length	2.80 m HD (9'2")	3.20 m HD (10'6")
P232 Secondary Pulverizer	✓	✓
P332 Primary Pulverizer	✓	✓
P332 Flat Top Primary Pulverizer	✓	✓

(continued on next page)

Pulverizer Technical Specifications

Matching – Tracked Excavators *(continued)*

Match

* Working Range Front Only

No Match

340F *(continued)*

Cat Pin Grabber Coupler

Undercarriage	L	
Counterweight	7.0 mt	
Boom Type	Reach HD	
Stick Length	2.80 m HD (9'2")	3.20 m HD (10'6")
P232	✓	✓
P332	✓	✓
P332 Flat Top	✓	✓

CS-45 S Dedicated Coupler

Undercarriage	L	
Counterweight	7.0 mt	
Boom Type	Reach HD	
Stick Length	2.80 m HD (9'2")	3.20 m HD (10'6")
P232	✓	✓
P332	✓	✓
P332 Flat Top	✓	✓

CW-45 Dedicated Coupler

Undercarriage	L	
Counterweight	7.0 mt	
Boom Type	Reach HD	
Stick Length	2.80 m HD (9'2")	3.20 m HD (10'6")
P232	✓	✓
P332	✓	✓
P332 Flat Top	✓	✓

S80 Dedicated Coupler

Undercarriage	L	
Counterweight	7.0 mt	
Boom Type	Reach HD	
Stick Length	2.80 m HD (9'2")	3.20 m HD (10'6")
P232	✓	✓
P332 Flat Top	✓	✓

HCS80 Dedicated Coupler

Undercarriage	L	
Counterweight	7.0 mt	
Boom Type	Reach HD	
Stick Length	2.80 m HD (9'2")	3.20 m HD (10'6")
P232	✓	✓
P332 Flat Top	✓	✓

(continued on next page)

Pulverizer Technical Specifications

Matching – Tracked Excavators *(continued)*

 Match

 * Working Range Front Only

 No Match

340F UHD

Pin-on

Undercarriage	L-FIX					
Counterweight	8.45 mt					
Boom Type	Retrofit (B)			Retrofit (S)		
Stick Length	2.80 m HD (9'2")	3.20 m HD (10'6")	3.90 m HD (12'10")	2.80 m HD (9'2")	3.20 m HD (10'6")	3.90 m HD (12'10")
P232 Secondary Pulverizer	✓	✓	✓	✓	✓	
P332 Primary Pulverizer	✓	✓	✓	✓	✓	✓*
P332 Flat Top Primary Pulverizer	✓	✓	✓	✓	✓*	

Pin-on *(continued)*

Undercarriage	L-VG					
Counterweight	8.45 mt					
Boom Type	Retrofit (B)			Retrofit (S)		
Stick Length	2.80 m HD (9'2")	3.20 m HD (10'6")	3.90 m HD (12'10")	2.80 m HD (9'2")	3.20 m HD (10'6")	3.90 m HD (12'10")
P232 Secondary Pulverizer	✓	✓	✓	✓	✓	✓
P332 Primary Pulverizer	✓	✓	✓	✓	✓	✓
P332 Flat Top Primary Pulverizer	✓	✓	✓	✓	✓	✓

Cat Pin Grabber Coupler

Undercarriage	L-FIX			
Counterweight	8.45 mt			
Boom Type	Retrofit (B)			Retrofit (S)
Stick Length	2.80 m HD (9'2")	3.20 m HD (10'6")	3.90 m HD (12'10")	2.80 m HD (9'2")
P232	✓	✓		
P332	✓	✓	✓	✓*
P332 Flat Top	✓	✓		

Cat Pin Grabber Coupler *(continued)*

Undercarriage	L-VG					
Counterweight	8.45 mt					
Boom Type	Retrofit (B)			Retrofit (S)		
Stick Length	2.80 m HD (9'2")	3.20 m HD (10'6")	3.90 m HD (12'10")	2.80 m HD (9'2")	3.20 m HD (10'6")	3.90 m HD (12'10")
P232	✓	✓				
P332	✓	✓	✓	✓	✓	✓
P332 Flat Top	✓	✓				

CS-45 S Dedicated Coupler

Undercarriage	L-FIX					
Counterweight	8.45 mt					
Boom Type	Retrofit (B)			Retrofit (S)		
Stick Length	2.80 m HD (9'2")	3.20 m HD (10'6")	3.90 m HD (12'10")	2.80 m HD (9'2")	3.20 m HD (10'6")	
P232	✓	✓				
P332	✓	✓	✓	✓*	✓*	
P332 Flat Top	✓	✓	✓*			

(continued on next page)

Pulverizer Technical Specifications

Matching – Tracked Excavators *(continued)*

 Match

 * Working Range Front Only

 No Match

340F UHD *(continued)*

CS-45 S Dedicated Coupler *(continued)*

Undercarriage	L-VG					
Counterweight	8.45 mt					
Boom Type	Retrofit (B)			Retrofit (S)		
Stick Length	2.80 m HD (9'2")	3.20 m HD (10'6")	3.90 m HD (12'10")	2.80 m HD (9'2")	3.20 m HD (10'6")	3.90 m HD (12'10")
P232	✓	✓				
P332	✓	✓	✓	✓	✓	✓
P332 Flat Top	✓	✓	✓	✓	✓	

CW-45 Dedicated Coupler

Undercarriage	L-FIX					
Counterweight	8.45 mt					
Boom Type	Retrofit (B)			Retrofit (S)		
Stick Length	2.80 m HD (9'2")	3.20 m HD (10'6")	3.90 m HD (12'10")	2.80 m HD (9'2")	3.20 m HD (10'6")	
P232	✓	✓				
P332	✓	✓	✓	✓*	✓*	
P332 Flat Top	✓	✓				

CW-45 Dedicated Coupler *(continued)*

Undercarriage	L-VG					
Counterweight	8.45 mt					
Boom Type	Retrofit (B)			Retrofit (S)		
Stick Length	2.80 m HD (9'2")	3.20 m HD (10'6")	3.90 m HD (12'10")	2.80 m HD (9'2")	3.20 m HD (10'6")	3.90 m HD (12'10")
P232	✓	✓				
P332	✓	✓	✓	✓	✓	✓
P332 Flat Top	✓	✓				

S80 Dedicated Coupler

Undercarriage	L-FIX			L-VG			
Counterweight	8.45 mt			8.45 mt			
Boom Type	Retrofit (B)			Retrofit (B)			
Stick Length	2.80 m HD (9'2")	3.20 m HD (10'6")	3.90 m HD (12'10")	2.80 m HD (9'2")	3.20 m HD (10'6")	3.90 m HD (12'10")	3.20 m HD (10'6")
P232	✓	✓		✓	✓		
P332 Flat Top	✓	✓	✓*	✓	✓	✓	✓

HCS80 Dedicated Coupler

Undercarriage	L-FIX		L-VG		
Counterweight	8.45 mt		8.45 mt		
Boom Type	Retrofit (B)		Retrofit (B)		Retrofit (S)
Stick Length	2.80 m HD (9'2")	3.20 m HD (10'6")	2.80 m HD (9'2")	3.20 m HD (10'6")	3.20 m HD (10'6")
P232	✓	✓	✓	✓	
P332 Flat Top	✓	✓	✓	✓	✓

(continued on next page)

Pulverizer Technical Specifications

Matching – Tracked Excavators *(continued)*

 Match

 Working Range Front Only

 No Match

340

Pin-on

Undercarriage	L		LN		HD High Wide			
Counterweight	9.0 mt		9.0 mt		7.5 mt			
Boom Type	Straight		Straight		Reach			ME
Stick Length	3.20 m (10'6")	3.90 m (12'10")	3.20 m (10'6")	3.90 m (12'10")	2.80 m (9'2")	3.20 m (10'6")	3.90 m (12'10")	2.55 m (8'4")
P232 Secondary Pulverizer	✓	✓	✓	✓	✓	✓	✓	✓
P332 Primary Pulverizer	✓	✓	✓	✓	✓	✓	✓	✓
P332 Flat Top Primary Pulverizer	✓	✓	✓	✓*	✓	✓	✓	✓

Cat Pin Grabber Coupler

Undercarriage	L		LN	HD High Wide			
Counterweight	9.0 mt		9.0 mt	7.5 mt			
Boom Type	Straight		Straight	Reach			ME
Stick Length	3.20 m (10'6")	3.90 m (12'10")	3.20 m (10'6")	2.80 m (9'2")	3.20 m (10'6")	3.90 m (12'10")	2.55 m (8'4")
P232				✓	✓		✓
P332	✓	✓*	✓	✓	✓	✓	✓
P332 Flat Top	✓		✓*	✓	✓		✓

CS-45 S Dedicated Coupler

Undercarriage	L		LN		HD High Wide			
Counterweight	9.0 mt		9.0 mt		7.5 mt			
Boom Type	Straight		Straight		Reach			ME
Stick Length	3.20 m (10'6")	3.90 m (12'10")	3.20 m (10'6")	3.90 m (12'10")	2.80 m (9'2")	3.20 m (10'6")	3.90 m (12'10")	2.55 m (8'4")
P232	✓		✓*		✓	✓		✓
P332	✓	✓	✓	✓*	✓	✓	✓	✓
P332 Flat Top	✓		✓*		✓	✓	✓	✓

CW-45 Dedicated Coupler

Undercarriage	L		LN		HD High Wide			
Counterweight	9.0 mt		9.0 mt		7.5 mt			
Boom Type	Straight		Straight		ME	Reach		
Stick Length	3.20 m (10'6")	3.90 m (12'10")	3.20 m (10'6")	3.90 m (12'10")	2.55 m (8'4")	2.80 m (9'2")	3.20 m (10'6")	3.90 m (12'10")
P232					✓	✓	✓	
P332	✓	✓	✓	✓*	✓	✓	✓	✓
P332 Flat Top					✓	✓	✓	

S80 Dedicated Coupler

Undercarriage	L	LN	HD High Wide		
Counterweight	9.0 mt	9.0 mt	7.5 mt		
Boom Type	Straight	Straight	Reach		
Stick Length	3.20 m (10'6")	3.20 m (10'6")	2.80 m (9'2")	3.20 m (10'6")	3.90 m (12'10")
P232	✓	✓*	✓	✓	
P332 Flat Top	✓	✓*	✓	✓	✓

(continued on next page)

Pulverizer Technical Specifications

Matching – Tracked Excavators *(continued)*

 Match

 * Working Range Front Only

 No Match

340 *(continued)*

HCS80 Dedicated Coupler

Undercarriage	L	LN	HD High Wide	
Counterweight	9.0 mt	9.0 mt	7.5 mt	
Boom Type	Straight	Straight	Reach	
Stick Length	3.20 m (10'6")	3.20 m (10'6")	2.80 m (9'2")	3.20 m (10'6")
P232	✓	✓*	✓	✓
P332 Flat Top	✓	✓*	✓	✓

340 UHD

Pin-on

Undercarriage	L					
Counterweight	9.0 mt					
Boom Type	Retrofit (B)			Retrofit (S)		
Stick Length	2.80 m (9'2")	3.20 m (10'6")	3.90 m (12'10")	2.80 m (9'2")	3.20 m (10'6")	3.90 m (12'10")
P232 Secondary Pulverizer	✓	✓	✓	✓	✓*	
P332 Primary Pulverizer	✓	✓	✓	✓	✓	✓*
P332 Flat Top Primary Pulverizer	✓	✓	✓	✓	✓*	

Pin-on *(continued)*

Undercarriage	H-VG					
Counterweight	9.0 mt					
Boom Type	Retrofit (B)			Retrofit (S)		
Stick Length	2.80 m (9'2")	3.20 m (10'6")	3.90 m (12'10")	2.80 m (9'2")	3.20 m (10'6")	3.90 m (12'10")
P232 Secondary Pulverizer	✓	✓	✓	✓	✓	✓
P332 Primary Pulverizer	✓	✓	✓	✓	✓	✓
P332 Flat Top Primary Pulverizer	✓	✓	✓	✓	✓	✓

Cat Pin Grabber Coupler

Undercarriage	L			
Counterweight	9.0 mt			
Boom Type	Retrofit (B)			Retrofit (S)
Stick Length	2.80 m (9'2")	3.20 m (10'6")	3.90 m (12'10")	2.80 m (9'2")
P232	✓	✓		
P332	✓	✓	✓*	✓*
P332 Flat Top	✓	✓		

Cat Pin Grabber Coupler *(continued)*

Undercarriage	H-VG					
Counterweight	9.0 mt					
Boom Type	Retrofit (B)			Retrofit (S)		
Stick Length	2.80 m (9'2")	3.20 m (10'6")	3.90 m (12'10")	2.80 m (9'2")	3.20 m (10'6")	3.90 m (12'10")
P232	✓	✓			✓	
P332	✓	✓	✓	✓	✓	✓
P332 Flat Top	✓	✓		✓	✓	

(continued on next page)

Matching – Tracked Excavators *(continued)*

 Match

 Working Range Front Only

 No Match

340 UHD *(continued)*

CS-45 S Dedicated Coupler

Undercarriage	L				
Counterweight	9.0 mt				
Boom Type	Retrofit (B)			Retrofit (S)	
Stick Length	2.80 m (9'2")	3.20 m (10'6")	3.90 m (12'10")	2.80 m (9'2")	3.20 m (10'6")
P232	✓	✓		✓*	
P332	✓	✓	✓	✓	✓*
P332 Flat Top	✓	✓	✓*		

CS-45 S Dedicated Coupler *(continued)*

Undercarriage	H-VG					
Counterweight	9.0 mt					
Boom Type	Retrofit (B)			Retrofit (S)		
Stick Length	2.80 m (9'2")	3.20 m (10'6")	3.90 m (12'10")	2.80 m (9'2")	3.20 m (10'6")	3.90 m (12'10")
P232	✓	✓		✓	✓	
P332	✓	✓	✓	✓	✓	✓
P332 Flat Top	✓	✓	✓	✓	✓	✓

CW-45 Dedicated Coupler

Undercarriage	L				
Counterweight	9.0 mt				
Boom Type	Retrofit (B)			Retrofit (S)	
Stick Length	2.80 m (9'2")	3.20 m (10'6")	3.90 m (12'10")	2.80 m (9'2")	3.20 m (10'6")
P232	✓	✓			
P332	✓	✓	✓	✓*	✓*
P332 Flat Top	✓	✓			

CW-45 Dedicated Coupler *(continued)*

Undercarriage	H-VG					
Counterweight	9.0 mt					
Boom Type	Retrofit (B)			Retrofit (S)		
Stick Length	2.80 m (9'2")	3.20 m (10'6")	3.90 m (12'10")	2.80 m (9'2")	3.20 m (10'6")	3.90 m (12'10")
P232	✓	✓				
P332	✓	✓	✓	✓	✓	✓
P332 Flat Top	✓	✓				

S80 Dedicated Coupler

Undercarriage	L			
Counterweight	9.0 mt			
Boom Type	Retrofit (B)			Retrofit (S)
Stick Length	2.80 m (9'2")	3.20 m (10'6")	3.90 m (12'10")	2.80 m (9'2")
P232	✓	✓	✓*	✓*
P332 Flat Top	✓	✓	✓*	

(continued on next page)

Pulverizer Technical Specifications

Matching – Tracked Excavators *(continued)*

 Match

 * Working Range Front Only

 No Match

340 UHD *(continued)*

S80 Dedicated Coupler *(continued)*

Undercarriage	H-VG					
Counterweight	9.0 mt					
Boom Type	Retrofit (B)			Retrofit (S)		
Stick Length	2.80 m (9'2")	3.20 m (10'6")	3.90 m (12'10")	2.80 m (9'2")	3.20 m (10'6")	3.90 m (12'10")
P232	✓	✓	✓	✓	✓	
P332 Flat Top	✓	✓	✓	✓	✓	✓

HCS80 Dedicated Coupler

Undercarriage	L		H-VG			
Counterweight	9.0 mt		9.0 mt			
Boom Type	Retrofit (B)		Retrofit (B)		Retrofit (S)	
Stick Length	2.80 m (9'2")	3.20 m (10'6")	2.80 m (9'2")	3.20 m (10'6")	2.80 m (9'2")	3.20 m (10'6")
P232	✓	✓	✓	✓	✓	✓
P332 Flat Top	✓	✓	✓	✓	✓	✓

345 GC

Pin-on

Undercarriage	—	
Counterweight	9.0 mt	
Boom Type	Reach HD	
Stick Length	2.90 m HD (9'6")	3.35 m HD (11'0")
P232 Secondary Pulverizer	✓	✓
P332 Primary Pulverizer	✓	✓
P332 Flat Top Primary Pulverizer	✓	✓

Cat Pin Grabber Coupler

Undercarriage	—	
Counterweight	9.0 mt	
Boom Type	Reach HD	
Stick Length	2.90 m HD (9'6")	3.35 m HD (11'0")
P232	✓	✓
P332	✓	✓
P332 Flat Top	✓	✓*

CW-55 Dedicated Coupler

Undercarriage	—	
Counterweight	9.0 mt	
Boom Type	Reach HD	
Stick Length	2.90 m HD (9'6")	3.35 m HD (11'0")
P232	✓	✓
P332	✓	✓
P332 Flat Top	✓	✓

(continued on next page)

Pulverizer Technical Specifications

Matching – Tracked Excavators *(continued)*

 Match

 * Working Range Front Only

 No Match

349D2

Pin-on

Undercarriage	—		L-FIX	
Counterweight	—		—	
Boom Type	Reach HD		Reach HD	
Stick Length	3.35 m HD (11'0")	3.90 m HD (12'10")	3.35 m HD (11'0")	3.90 m HD (12'10")
P232 Secondary Pulverizer	✓	✓	✓	✓
P332 Primary Pulverizer	✓	✓	✓	✓
P332 Flat Top Primary Pulverizer	✓	✓	✓	✓

Cat Pin Grabber Coupler

Undercarriage	—		L-FIX	
Counterweight	—		—	
Boom Type	Reach HD		Reach HD	
Stick Length	3.35 m HD (11'0")	3.90 m HD (12'10")	3.35 m HD (11'0")	3.90 m HD (12'10")
P232	✓	✓	✓	✓
P332	✓	✓	✓	✓
P332 Flat Top	✓	✓	✓	✓

CW-55 Dedicated Coupler

Undercarriage	—		L-FIX	
Counterweight	—		—	
Boom Type	Reach HD		Reach HD	
Stick Length	3.35 m HD (11'0")	3.90 m HD (12'10")	3.35 m HD (11'0")	3.90 m HD (12'10")
P232	✓	✓	✓	✓
P332	✓	✓	✓	✓
P332 Flat Top	✓	✓	✓	✓

349E

Pin-on

Undercarriage	L-FIX				L-VG			
Counterweight	—				—			
Boom Type	Reach HD		Long-Reach		Reach HD		Long-Reach	
Stick Length	2.90 m HD (9'6")	3.35 m HD (11'0")	3.90 m HD (12'10")	4.30 m HD (14'1")	2.90 m HD (9'6")	3.35 m HD (11'0")	3.90 m HD (12'10")	4.30 m HD (14'1")
P232 Secondary Pulverizer	✓	✓	✓	✓	✓	✓	✓	✓
P332 Primary Pulverizer	✓	✓	✓	✓	✓	✓	✓	✓
P332 Flat Top Primary Pulverizer	✓	✓	✓	✓	✓	✓	✓	✓

Cat Pin Grabber Coupler

Undercarriage	L-FIX				L-VG			
Counterweight	—				—			
Boom Type	Reach HD		Long-Reach		Reach HD		Long-Reach	
Stick Length	2.90 m HD (9'6")	3.35 m HD (11'0")	3.90 m HD (12'10")	4.30 m HD (14'1")	2.90 m HD (9'6")	3.35 m HD (11'0")	3.90 m HD (12'10")	4.30 m HD (14'1")
P232	✓	✓	✓	✓*	✓	✓	✓	✓
P332	✓	✓	✓	✓*	✓	✓	✓	✓
P332 Flat Top	✓	✓	✓		✓	✓	✓	✓

(continued on next page)

Pulverizer Technical Specifications

Matching – Tracked Excavators *(continued)*

 Match

 * Working Range Front Only

 No Match

349E *(continued)*

CW-55 Dedicated Coupler

Undercarriage	L-FIX		L-VG	
Counterweight	—		—	
Boom Type	Reach HD		Reach HD	
Stick Length	2.90 m HD (9'6")	3.35 m HD (11'0")	2.90 m HD (9'6")	3.35 m HD (11'0")
P232	✓	✓	✓	✓
P332	✓	✓	✓	✓
P332 Flat Top	✓	✓	✓	✓

349F

Pin-on

Undercarriage	L-FIX		
Counterweight	—		
Boom Type	Reach HD		Long-Reach
Stick Length	3.40 m HD (11'2")	3.90 m HD (12'10")	4.30 m HD (14'1")
P232 Secondary Pulverizer	✓	✓	✓
P332 Primary Pulverizer	✓	✓	✓
P332 Flat Top Primary Pulverizer	✓	✓	✓

Cat Pin Grabber Coupler

Undercarriage	L-FIX		
Counterweight	—		
Boom Type	Reach HD		Long-Reach
Stick Length	3.40 m HD (11'2")	3.90 m HD (12'10")	4.30 m HD (14'1")
P232	✓	✓	✓*
P332	✓	✓	✓
P332 Flat Top	✓	✓	✓*

349F XE

Pin-on

Undercarriage	L-FIX		
Counterweight	—		
Boom Type	Reach HD		Long-Reach
Stick Length	3.40 m HD (11'2")	3.90 m HD (12'10")	4.30 m HD (14'1")
P232 Secondary Pulverizer	✓	✓	✓
P332 Primary Pulverizer	✓	✓	✓
P332 Flat Top Primary Pulverizer	✓	✓	✓

Cat® Pin Grabber Coupler

Undercarriage	L-FIX		
Counterweight	—		
Boom Type	Reach HD		Long-Reach
Stick Length	3.40 m HD (11'2")	3.90 m HD (12'10")	4.30 m HD (14'1")
P232	✓	✓	✓*
P332	✓	✓	✓
P332 Flat Top	✓	✓	✓*

(continued on next page)

Pulverizer Technical Specifications

Matching – Tracked Excavators *(continued)*

 Match

 * Working Range Front Only

 No Match

349

Pin-on

Undercarriage	L			
Counterweight	9.0 mt			
Boom Type	Reach HD			Long-Reach
Stick Length	2.90 m HD (9'6")	3.35 m HD (11'0")	3.90 m HD (12'10")	4.30 m HD (14'1")
P232 Secondary Pulverizer	✓	✓	✓	✓
P332 Primary Pulverizer	✓	✓	✓	✓
P332 Flat Top Primary Pulverizer	✓	✓	✓	✓

Cat Pin Grabber Coupler

Undercarriage	L			
Counterweight	9.0 mt			
Boom Type	Reach HD			Long-Reach
Stick Length	2.90 m HD (9'6")	3.35 m HD (11'0")	3.90 m HD (12'10")	4.30 m HD (14'1")
P232	✓	✓	✓	
P332	✓	✓	✓	✓*
P332 Flat Top	✓	✓	✓	

CW-55 Dedicated Coupler

Undercarriage	L	
Counterweight	9.0 mt	
Boom Type	Reach HD	
Stick Length	2.90 m HD (9'6")	3.35 m HD (11'0")
P232	✓	✓
P332	✓	✓
P332 Flat Top	✓	✓

352F

Pin-on

Undercarriage	L-VG			
Counterweight	—			
Boom Type	Reach HD			Long-Reach
Stick Length	2.90 m HD (9'6")	3.40 m HD (11'2")	3.90 m HD (12'10")	4.30 m HD (14'1")
P232 Secondary Pulverizer	✓	✓	✓	✓
P332 Primary Pulverizer	✓	✓	✓	✓
P332 Flat Top Primary Pulverizer	✓	✓	✓	✓

Cat Pin Grabber Coupler

Undercarriage	L-VG			
Counterweight	—			
Boom Type	Reach HD			Long-Reach
Stick Length	2.90 m HD (9'6")	3.40 m HD (11'2")	3.90 m HD (12'10")	4.30 m HD (14'1")
P232	✓	✓	✓	✓
P332	✓	✓	✓	✓
P332 Flat Top	✓	✓	✓	✓

(continued on next page)

Pulverizer Technical Specifications

Matching – Tracked Excavators *(continued)*

 Match

 * Working Range Front Only

 No Match

352F *(continued)*

CW-55 Dedicated Coupler

Undercarriage	L-VG	
Counterweight	—	
Boom Type	Reach HD	
Stick Length	2.90 m HD (9'6")	3.40 m HD (11'2")
P232	✓	✓
P332	✓	✓
P332 Flat Top	✓	✓

352F XE

Pin-on

Undercarriage	L-VG			
Counterweight	—			
Boom Type	Reach HD			Long-Reach
Stick Length	2.90 m HD (9'6")	3.40 m HD (11'2")	3.90 m HD (12'10")	4.30 m HD (14'1")
P232 Secondary Pulverizer	✓	✓	✓	✓
P332 Primary Pulverizer	✓	✓	✓	✓
P332 Flat Top Primary Pulverizer	✓	✓	✓	✓

Cat Pin Grabber Coupler

Undercarriage	L-VG			
Counterweight	—			
Boom Type	Reach HD			Long-Reach
Stick Length	2.90 m HD (9'6")	3.40 m HD (11'2")	3.90 m HD (12'10")	4.30 m HD (14'1")
P232	✓	✓	✓	✓
P332	✓	✓	✓	✓
P332 Flat Top	✓	✓	✓	✓

CW-55 Dedicated Coupler

Undercarriage	L-VG	
Counterweight	—	
Boom Type	Reach HD	
Stick Length	2.90 m HD (9'6")	3.40 m HD (11'2")
P232	✓	✓
P332	✓	✓
P332 Flat Top	✓	✓

352

Pin-on

Undercarriage	L-VG			
Counterweight	9.0 mt			
Boom Type	Reach HD			Long-Reach
Stick Length	2.90 m HD (9'6")	3.35 m HD (11'0")	3.90 m HD (12'10")	4.30 m HD (14'1")
P232 Secondary Pulverizer	✓	✓	✓	✓
P332 Primary Pulverizer	✓	✓	✓	✓
P332 Flat Top Primary Pulverizer	✓	✓	✓	✓

(continued on next page)

Matching – Tracked Excavators *(continued)*

 Match

 * Working Range Front Only

 No Match

352 *(continued)*

Cat Pin Grabber Coupler

Undercarriage	L-VG			
Counterweight	9.0 mt			
Boom Type	Reach HD			Long-Reach
Stick Length	2.90 m HD (9'6")	3.35 m HD (11'0")	3.90 m HD (12'10")	4.30 m HD (14'1")
P232	✓	✓	✓	✓
P332	✓	✓	✓	✓
P332 Flat Top	✓	✓	✓	✓

CW-55 Dedicated Coupler

Undercarriage	L-VG		
Counterweight	9.0 mt		
Boom Type	Reach HD		
Stick Length	2.90 m HD (9'6")	3.35 m HD (11'0")	4.30 m HD (14'1")
P232	✓	✓	✓
P332	✓	✓	✓
P332 Flat Top	✓	✓	✓

352 UHD

Pin-on

Undercarriage	H-VG			
Counterweight	12.0 mt			
Boom Type	Retrofit (B)			Retrofit (S)
Stick Length	2.90 m HD (9'6")	3.35 m HD (11'0")	2.90 m HD (9'6")	3.35 m HD (11'0")
P232 Secondary Pulverizer	✓	✓	✓	✓
P332 Primary Pulverizer	✓	✓	✓	✓
P332 Flat Top Primary Pulverizer	✓	✓	✓	✓

Cat Pin Grabber Coupler

Undercarriage	H-VG			
Counterweight	12.0 mt			
Boom Type	Retrofit (B)		Retrofit (S)	
Stick Length	2.90 m HD (9'6")	3.35 m HD (11'0")	2.90 m HD (9'6")	3.35 m HD (11'0")
P232	✓	✓	✓	✓
P332	✓	✓	✓	✓
P332 Flat Top	✓	✓	✓	✓

CW-55 Dedicated Coupler

Undercarriage	H-VG			
Counterweight	12.0 mt			
Boom Type	Retrofit (B)			
Stick Length	2.90 m HD (9'6")	3.35 m HD (11'0")	2.90 m HD (9'6")	3.35 m HD (11'0")
P232	✓	✓	✓	✓
P332	✓	✓	✓	✓
P332 Flat Top	✓	✓	✓	✓

Pulverizer Technical Specifications

Matching – Wheeled Excavators

 Match

 Working Range Front Only

 No Match

M318F

Pin-on

Undercarriage	Front Outriggers; Rear Blade				Front and Rear Outriggers			
Counterweight	3.4 mt		3.9 mt		3.4 mt		3.9 mt	
Boom Type	1 PC		1 PC		1 PC		1 PC	
Stick Length	2.10 m (6'11")	2.40 m (7'10")	2.10 m (6'11")	2.40 m (7'10")	2.10 m (6'11")	2.40 m (7'10")	2.10 m (6'11")	2.40 m (7'10")
P218 Secondary Pulverizer	✓		✓		✓		✓	
P318 Primary Pulverizer	✓	✓	✓	✓	✓	✓	✓	✓

Pin-on (continued)

Undercarriage	Front Outriggers; Rear Blade (Wide U/C)				Rear Blade (Wide U/C)
Counterweight	3.4 mt		3.9 mt		3.9 mt
Boom Type	1 PC	1 PC	1 PC	1 PC	1 PC
Stick Length	2.10 m (6'11")	2.40 m (7'10")	2.10 m (6'11")	2.40 m (7'10")	2.10 m (6'11")
P218 Secondary Pulverizer	✓		✓		✓*
P318 Primary Pulverizer	✓	✓	✓	✓	✓*

CS-20 S Dedicated Coupler

Undercarriage	Front Outriggers; Rear Blade		Front and Rear Outriggers		Front Outriggers; Rear Blade (Wide U/C)	
Counterweight	3.4 mt	3.9 mt	3.4 mt	3.9 mt	3.4 mt	3.9 mt
Boom Type	1 PC	1 PC	1 PC	1 PC	1 PC	1 PC
Stick Length	2.10 m (6'11")	2.10 m (6'11")	2.10 m (6'11")	2.10 m (6'11")	2.10 m (6'11")	2.10 m (6'11")
P318	✓	✓	✓	✓	✓	✓

CW-20 Dedicated Coupler

Undercarriage	Front Outriggers; Rear Blade		Front and Rear Outriggers		Front Outriggers; Rear Blade (Wide U/C)	
Counterweight	3.4 mt	3.9 mt	3.4 mt	3.9 mt	3.4 mt	3.9 mt
Boom Type	1 PC	1 PC	1 PC	1 PC	1 PC	1 PC
Stick Length	2.10 m (6'11")	2.10 m (6'11")	2.10 m (6'11")	2.10 m (6'11")	2.10 m (6'11")	2.10 m (6'11")
P318 Primary Pulverizer	✓	✓	✓	✓	✓	✓

S60 Dedicated Coupler

Undercarriage	Front Outriggers; Rear Blade		Front and Rear Outriggers		Front Outriggers; Rear Blade (Wide U/C)	
Counterweight	3.4 mt	3.9 mt	3.4 mt	3.9 mt	3.4 mt	3.9 mt
Boom Type	1 PC	1 PC	1 PC	1 PC	1 PC	1 PC
Stick Length	2.10 m (6'11")	2.10 m (6'11")	2.10 m (6'11")	2.10 m (6'11")	2.10 m (6'11")	2.10 m (6'11")
P218	✓	✓	✓	✓	✓	✓
P318	✓	✓	✓	✓	✓	✓

HCS60

Undercarriage	Front Outriggers; Rear Blade		Front and Rear Outriggers		Front Outriggers; Rear Blade (Wide U/C)	
Counterweight	3.4 mt	3.9 mt	3.4 mt	3.9 mt	3.4 mt	3.9 mt
Boom Type	1 PC	1 PC	1 PC	1 PC	1 PC	1 PC
Stick Length	2.10 m (6'11")	2.10 m (6'11")	2.10 m (6'11")	2.10 m (6'11")	2.10 m (6'11")	2.10 m (6'11")
P318	✓	✓	✓	✓	✓	✓

(continued on next page)

Pulverizer Technical Specifications

Matching – Wheeled Excavators *(continued)*

 Match

 * Working Range Front Only

 No Match

M320D2

Pin-on

Undercarriage	Front Outriggers; Rear Blade		Front and Rear Outriggers	
Counterweight	4.0 mt		4.0 mt	
Boom Type	1 PC		1 PC	
Stick Length	2.50 m (8'2")	2.80 m (9'2")	2.50 m (8'2")	2.80 m (9'2")
P218 Secondary Pulverizer	✓		✓	
P318 Primary Pulverizer	✓	✓	✓	✓

CS-30 S Dedicated Coupler

Undercarriage	Front Outriggers; Rear Blade	Front and Rear Outriggers
Counterweight	4.0 mt	4.0 mt
Boom Type	1 PC	1 PC
Stick Length	2.50 m (8'2")	2.50 m (8'2")
P318 Primary Pulverizer	✓	✓

CW-30 Dedicated Coupler

Undercarriage	Front Outriggers; Rear Blade	Front and Rear Outriggers
Counterweight	4.0 mt	4.0 mt
Boom Type	1 PC	1 PC
Stick Length	2.50 m (8'2")	2.50 m (8'2")
P318	✓	✓

M320F

Pin-on

Undercarriage	Front Outriggers; Rear Blade			
Counterweight	3.7 mt		4.2 mt	
Boom Type	VA	1 PC	VA	1 PC
Stick Length	2.50 m (8'2")	2.50 m (8'2")	2.50 m (8'2")	2.50 m (8'2")
P218 Secondary Pulverizer	✓	✓	✓	✓
P318 Primary Pulverizer	✓	✓	✓	✓

CS-30 S Dedicated Coupler

Undercarriage	Front Outriggers; Rear Blade		Front and Rear Outriggers		Front Outriggers; Rear Blade (Wide U/C)	
Counterweight	3.7 mt	4.2 mt	3.7 mt	4.2 mt	3.7 mt	4.2 mt
Boom Type	1 PC	1 PC	1 PC	1 PC	1 PC	1 PC
Stick Length	2.50 m (8'2")	2.50 m (8'2")	2.50 m (8'2")	2.50 m (8'2")	2.50 m (8'2")	2.50 m (8'2")
P318 Primary Pulverizer	✓	✓	✓	✓	✓	✓

(continued on next page)

Pulverizer Technical Specifications

Matching – Wheeled Excavators *(continued)*

 Match

 * Working Range Front Only

 No Match

M320F *(continued)*

CW-30 Dedicated Coupler

Undercarriage	Front Outriggers; Rear Blade		Front and Rear Outriggers		Front Outriggers; Rear Blade (Wide U/C)	
	3.7 mt	4.2 mt	3.7 mt	4.2 mt	3.7 mt	4.2 mt
Counterweight	3.7 mt	4.2 mt	3.7 mt	4.2 mt	3.7 mt	4.2 mt
Boom Type	1 PC	1 PC	1 PC	1 PC	1 PC	1 PC
Stick Length	2.50 m (8'2")	2.50 m (8'2")	2.50 m (8'2")	2.50 m (8'2")	2.50 m (8'2")	2.50 m (8'2")
P318	✓	✓	✓	✓	✓	✓

M320

Pin-on

Undercarriage	Front Blade; Rear Outriggers			
	3.6 mt			
Boom Type	1 PC		VA	
Stick Length	2.50 m (8'2")	2.90 m (9'6")	2.50 m (8'2")	2.90 m (9'6")
P218 Secondary Pulverizer	✓	✓	✓	
P318 Primary Pulverizer	✓	✓	✓	✓

Pin-on *(continued)*

Undercarriage	Front Blade; Rear Outriggers					
	4.2 mt				4.8 mt	
Boom Type	1 PC		VA		1 PC	
Stick Length	2.50 m (8'2")	2.90 m (9'6")	2.50 m (8'2")	2.90 m (9'6")	2.50 m (8'2")	2.90 m (9'6")
P218 Secondary Pulverizer	✓	✓	✓		✓	✓
P318 Primary Pulverizer	✓	✓	✓	✓	✓	✓

Pin-on *(continued)*

Undercarriage	Front and Rear Outriggers							
	3.6 mt				4.2 mt			
Boom Type	1 PC		VA		1 PC		VA	
Stick Length	2.50 m (8'2")	2.90 m (9'6")	2.50 m (8'2")	2.90 m (9'6")	2.50 m (8'2")	2.90 m (9'6")	2.50 m (8'2")	2.90 m (9'6")
P218 Secondary Pulverizer	✓	✓	✓		✓	✓	✓	
P318 Primary Pulverizer	✓	✓	✓	✓	✓	✓	✓	✓

Pin-on *(continued)*

Undercarriage	Front and Rear Outriggers	
Counterweight	4.8 mt	
Boom Type	1 PC	
Stick Length	2.50 m (8'2")	2.90 m (9'6")
P218 Secondary Pulverizer	✓	✓
P318 Primary Pulverizer	✓	✓

Pin-on *(continued)*

Undercarriage	Front Outriggers; Rear Blade (Wide U/C)							
	3.6 mt				4.2 mt			
Boom Type	1 PC		VA		1 PC		VA	
Stick Length	2.50 m (8'2")	2.90 m (9'6")	2.50 m (8'2")	2.90 m (9'6")	2.50 m (8'2")	2.90 m (9'6")	2.50 m (8'2")	2.90 m (9'6")
P218 Secondary Pulverizer	✓	✓	✓		✓	✓	✓	
P318 Primary Pulverizer	✓	✓	✓	✓	✓	✓	✓	✓

(continued on next page)

Pulverizer Technical Specifications

Matching – Wheeled Excavators *(continued)*

 Match

 * Working Range Front Only

 No Match

M320 *(continued)*

Pin-on *(continued)*

Undercarriage	Front Outriggers; Rear Blade (Wide U/C)	
Counterweight	4.8 mt	
Boom Type	1 PC	
Stick Length	2.50 m (8'2")	2.90 m (9'6")
P218 Secondary Pulverizer	✓	✓
P318 Primary Pulverizer	✓	✓

Pin-on *(continued)*

Undercarriage	Front Outriggers; Rear (parallel) Blade							
Counterweight	3.6 mt				4.2 mt			
Boom Type	1 PC		VA		1 PC		VA	
Stick Length	2.50 m (8'2")	2.90 m (9'6")	2.50 m (8'2")	2.90 m (9'6")	2.50 m (8'2")	2.90 m (9'6")	2.50 m (8'2")	2.90 m (9'6")
P218 Secondary Pulverizer	✓	✓	✓		✓	✓	✓	
P318 Primary Pulverizer	✓	✓	✓	✓	✓	✓	✓	✓

Pin-on *(continued)*

Undercarriage	Front Outriggers; Rear (parallel) Blade	
Counterweight	4.8 mt	
Boom Type	1 PC	
Stick Length	2.50 m (8'2")	2.90 m (9'6")
P218 Secondary Pulverizer	✓	✓
P318 Primary Pulverizer	✓	✓

Pin-on *(continued)*

Undercarriage	Front Outriggers; Rear (radial) Blade							
Counterweight	3.6 mt				4.2 mt			
Boom Type	1 PC		VA		1 PC		VA	
Stick Length	2.50 m (8'2")	2.90 m (9'6")	2.50 m (8'2")	2.90 m (9'6")	2.50 m (8'2")	2.90 m (9'6")	2.50 m (8'2")	2.90 m (9'6")
P218 Secondary Pulverizer	✓	✓	✓		✓	✓	✓	
P318 Primary Pulverizer	✓	✓	✓	✓	✓	✓	✓	✓

Pin-on *(continued)*

Undercarriage	Front Outriggers; Rear (radial) Blade	
Counterweight	4.8 mt	
Boom Type	1 PC	
Stick Length	2.50 m (8'2")	2.90 m (9'6")
P218 Secondary Pulverizer	✓	✓
P318 Primary Pulverizer	✓	✓

Pin-on *(continued)*

Undercarriage	Rear Blade (Wide U/C)		
Counterweight	4.2 mt	4.8 mt	
Boom Type	VA	1 PC	
Stick Length	2.50 m (8'2")	2.50 m (8'2")	2.50 m (8'2")
P218 Secondary Pulverizer	✓*	✓*	✓*
P318 Primary Pulverizer	✓*	✓*	✓*

(continued on next page)

Pulverizer Technical Specifications

Matching – Wheeled Excavators *(continued)*

 Match

 Working Range Front Only

 No Match

M320 *(continued)*

Cat Pin Grabber Coupler

Undercarriage	Front Blade; Rear Outriggers			Front and Rear Outriggers		
	3.6 mt	4.2 mt	4.8 mt	3.6 mt	4.2 mt	4.8 mt
Counterweight	3.6 mt	4.2 mt	4.8 mt	3.6 mt	4.2 mt	4.8 mt
Boom Type	1 PC	1 PC	1 PC	1 PC	1 PC	1 PC
Stick Length	2.50 m (8'2")	2.50 m (8'2")	2.50 m (8'2")	2.50 m (8'2")	2.50 m (8'2")	2.50 m (8'2")
P318	✓*	✓	✓	✓	✓	✓

Cat Pin Grabber Coupler *(continued)*

Undercarriage	Front Outriggers; Rear Blade (Wide U/C)			Front Outriggers; Rear (parallel) Blade		Front Outriggers; Rear (radial) Blade	
	3.6 mt	4.2 mt	4.8 mt	4.2 mt	4.8 mt	4.2 mt	4.8 mt
Counterweight	3.6 mt	4.2 mt	4.8 mt	4.2 mt	4.8 mt	4.2 mt	4.8 mt
Boom Type	1 PC	1 PC	1 PC	1 PC	1 PC	1 PC	1 PC
Stick Length	2.50 m (8'2")	2.50 m (8'2")	2.50 m (8'2")	2.50 m (8'2")	2.50 m (8'2")	2.50 m (8'2")	2.50 m (8'2")
P318	✓*	✓	✓	✓	✓	✓	✓

CS-40 S Dedicated Coupler

Undercarriage	Front Blade; Rear Outriggers				
	3.6 mt		4.2 mt		4.8 mt
Counterweight	3.6 mt		4.2 mt		4.8 mt
Boom Type	VA	1 PC	1 PC	VA	1 PC
Stick Length	2.50 m (8'2")	2.50 m (8'2")	2.50 m (8'2")	2.50 m (8'2")	2.50 m (8'2")
P218		✓	✓		✓
P224					
P318	✓	✓	✓	✓	✓

CS-40 S Dedicated Coupler *(continued)*

Undercarriage	Front and Rear Outriggers				
	3.6 mt		4.2 mt		4.8 mt
Counterweight	3.6 mt		4.2 mt		4.8 mt
Boom Type	VA	1 PC	VA	1 PC	1 PC
Stick Length	2.50 m (8'2")	2.50 m (8'2")	2.50 m (8'2")	2.50 m (8'2")	2.50 m (8'2")
P218		✓		✓	✓
P224					
P318	✓	✓	✓	✓	✓

CS-40 S Dedicated Coupler *(continued)*

Undercarriage	Front Outriggers; Rear Blade (Wide U/C)				
	3.6 mt		4.2 mt		4.8 mt
Counterweight	3.6 mt		4.2 mt		4.8 mt
Boom Type	1 PC	VA	1 PC	VA	1 PC
Stick Length	2.50 m (8'2")	2.50 m (8'2")	2.50 m (8'2")	2.50 m (8'2")	2.50 m (8'2")
P218	✓		✓		✓
P224					
P318	✓	✓	✓	✓	✓

(continued on next page)

Matching – Wheeled Excavators *(continued)*

 Match

 * Working Range Front Only

 No Match

M320 *(continued)*

CS-40 S Dedicated Coupler *(continued)*

Undercarriage	Front Outriggers; Rear (parallel) Blade				
	3.6 mt		4.2 mt		4.8 mt
Counterweight	1 PC	VA	1 PC	VA	1 PC
Stick Length	2.50 m (8'2")	2.50 m (8'2")	2.50 m (8'2")	2.50 m (8'2")	2.50 m (8'2")
P218	✓		✓		✓
P224					
P318	✓	✓	✓	✓	✓

CS-40 S Dedicated Coupler *(continued)*

Undercarriage	Front Outriggers; Rear (radial) Blade				
	3.6 mt		4.2 mt		4.8 mt
Counterweight	1 PC	VA	VA	1 PC	1 PC
Stick Length	2.50 m (8'2")	2.50 m (8'2")	2.50 m (8'2")	2.50 m (8'2")	2.50 m (8'2")
P218	✓			✓	✓
P224					
P318	✓	✓	✓	✓	✓

CW-40 Dedicated Coupler

Undercarriage	Front Blade; Rear Outriggers					
	3.6 mt		4.2 mt		4.8 mt	
Counterweight	VA	1 PC	1 PC	VA	1 PC	1 PC
Stick Length	2.50 m (8'2")	2.50 m (8'2")	2.50 m (8'2")	2.50 m (8'2")	2.50 m (8'2")	2.50 m (8'2")
P218		✓	✓		✓	✓
P318	✓	✓	✓	✓	✓	✓

CW-40 Dedicated Coupler *(continued)*

Undercarriage	Front and Rear Outriggers				
	3.6 mt		4.2 mt		4.8 mt
Counterweight	1 PC	VA	1 PC	VA	1 PC
Stick Length	2.50 m (8'2")	2.50 m (8'2")	2.50 m (8'2")	2.50 m (8'2")	2.50 m (8'2")
P218	✓		✓		✓
P318	✓	✓	✓	✓	✓

CW-40 Dedicated Coupler *(continued)*

Undercarriage	Front Outriggers; Rear Blade (Wide U/C)				
	3.6 mt		4.2 mt		4.8 mt
Counterweight	VA	1 PC	VA	1 PC	1 PC
Stick Length	2.50 m (8'2")	2.50 m (8'2")	2.50 m (8'2")	2.50 m (8'2")	2.50 m (8'2")
P218		✓		✓	✓
P318	✓	✓	✓	✓	✓

(continued on next page)

Pulverizer Technical Specifications

Matching – Wheeled Excavators *(continued)*

 Match

 * Working Range Front Only

 No Match

M320 *(continued)*

CW-40 Dedicated Coupler *(continued)*

Undercarriage	Front Outriggers; Rear (parallel) Blade				
	3.6 mt		4.2 mt		4.8 mt
Counterweight					
Boom Type	VA	1 PC	VA	1 PC	1 PC
Stick Length	2.50 m (8'2")	2.50 m (8'2")	2.50 m (8'2")	2.50 m (8'2")	2.50 m (8'2")
P218		✓		✓	✓
P318	✓	✓	✓	✓	✓

CW-40 Dedicated Coupler *(continued)*

Undercarriage	Front Outriggers; Rear (radial) Blade				
	3.6 mt		4.2 mt		4.8 mt
Counterweight					
Boom Type	VA	1 PC	VA	1 PC	1 PC
Stick Length	2.50 m (8'2")	2.50 m (8'2")	2.50 m (8'2")	2.50 m (8'2")	2.50 m (8'2")
P218		✓		✓	✓
P318	✓	✓	✓	✓	✓

S70 Dedicated Coupler

Undercarriage	Front Blade; Rear Outriggers				Front and Rear Outriggers			
	3.6 mt		4.2 mt		4.2 mt		3.6 mt	
Counterweight								
Boom Type	VA	1 PC	VA	1 PC	VA	VA	1 PC	1 PC
Stick Length	2.50 m (8'2")	2.50 m (8'2")	2.50 m (8'2")	2.50 m (8'2")	2.50 m (8'2")	2.50 m (8'2")	2.50 m (8'2")	2.50 m (8'2")
P218		✓		✓			✓	✓
P318	✓	✓	✓	✓	✓	✓	✓	✓

S70 Dedicated Coupler *(continued)*

Undercarriage	Front Outriggers; Rear Blade (Wide U/C)				Front Outriggers; Rear (parallel) Blade			
	3.6 mt		4.2 mt		3.6 mt		4.2 mt	
Counterweight								
Boom Type	VA	1 PC	VA	1 PC	VA	1 PC	VA	VA
Stick Length	2.50 m (8'2")	2.50 m (8'2")	2.50 m (8'2")	2.50 m (8'2")	2.50 m (8'2")	2.50 m (8'2")	2.50 m (8'2")	2.50 m (8'2")
P218		✓		✓		✓*		
P318	✓	✓	✓	✓	✓	✓*	✓	✓

S70 Dedicated Coupler *(continued)*

Undercarriage	Front Outriggers; Rear (radial) Blade			
	3.6 mt		4.2 mt	
Counterweight				
Boom Type	1 PC		VA	1 PC
Stick Length	2.50 m (8'2")	2.50 m (8'2")	2.50 m (8'2")	2.50 m (8'2")
P218	✓*	✓		✓
P318	✓*	✓	✓	✓

(continued on next page)

Pulverizer Technical Specifications

Matching – Wheeled Excavators *(continued)*

 Match

 Working Range Front Only

 No Match

M320 *(continued)*

HCS70 Dedicated Coupler

Undercarriage	Front Blade; Rear Outriggers		Front and Rear Outriggers		Front Outriggers; Rear Blade (Wide U/C)		Front Outriggers; Rear (parallel) Blade	Front Outriggers; Rear (radial) Blade
	3.6 mt	4.2 mt	3.6 mt	4.2 mt	3.6 mt	4.2 mt	4.2 mt	4.2 mt
Counterweight	3.6 mt	4.2 mt	3.6 mt	4.2 mt	3.6 mt	4.2 mt	4.2 mt	4.2 mt
Boom Type	1 PC	1 PC	1 PC	1 PC	1 PC	1 PC	1 PC	1 PC
Stick Length	2.50 m (8'2")	2.50 m (8'2")	2.50 m (8'2")	2.50 m (8'2")	2.50 m (8'2")	2.50 m (8'2")	2.50 m (8'2")	2.50 m (8'2")
P318	✓*	✓	✓	✓	✓*	✓	✓	✓

M322D2

Pin-on

Undercarriage	Front Outriggers; Rear Blade							
	3.9 mt				4.4 mt			
Boom Type	VA		1 PC		VA		1 PC	
Stick Length	2.20 m (7'3")	2.50 m (8'2")	2.20 m (7'3")	2.50 m (8'2")	2.20 m (7'3")	2.50 m (8'2")	2.20 m (7'3")	2.50 m (8'2")
P218 Secondary Pulverizer	✓	✓	✓	✓	✓	✓	✓	✓
P318 Primary Pulverizer	✓	✓	✓	✓	✓	✓	✓	✓

Pin-on *(continued)*

Undercarriage	Front Outriggers; Rear Blade				Front and Rear Outriggers			
	5.4 mt				3.9 mt			
Boom Type	VA		1 PC		VA		1 PC	
Stick Length	2.20 m (7'3")	2.50 m (8'2")	2.20 m (7'3")	2.50 m (8'2")	2.20 m (7'3")	2.50 m (8'2")	2.20 m (7'3")	2.50 m (8'2")
P218 Secondary Pulverizer	✓	✓	✓	✓	✓	✓	✓	✓
P318 Primary Pulverizer	✓	✓	✓	✓	✓	✓	✓	✓

Pin-on *(continued)*

Undercarriage	Front and Rear Outriggers							
	4.4 mt				5.4 mt			
Boom Type	VA		1 PC		VA		1 PC	
Stick Length	2.20 m (7'3")	2.50 m (8'2")	2.20 m (7'3")	2.50 m (8'2")	2.20 m (7'3")	2.50 m (8'2")	2.20 m (7'3")	2.50 m (8'2")
P218 Secondary Pulverizer	✓	✓	✓	✓	✓	✓	✓	✓
P318 Primary Pulverizer	✓	✓	✓	✓	✓	✓	✓	✓

Pin-on *(continued)*

Undercarriage	Rear Blade				
	4.4 mt	5.4 mt			
Boom Type	VA	VA		1 PC	
Stick Length	2.20 m (7'3")	2.20 m (7'3")	2.50 m (8'2")	2.20 m (7'3")	2.50 m (8'2")
P218 Secondary Pulverizer	✓*	✓	✓	✓	✓
P318 Primary Pulverizer	✓*	✓	✓	✓	✓

(continued on next page)

Pulverizer Technical Specifications

Matching – Wheeled Excavators *(continued)*

 Match

 * Working Range Front Only

 No Match

M322D2 *(continued)*

CS-30 S Dedicated Coupler

Undercarriage	Front Outriggers; Rear Blade	MH (2 sets Outriggers)
Counterweight	4.0 mt	4.0 mt
Boom Type	1 PC	1 PC
Stick Length	2.50 m (8'2")	2.50 m (8'2")
P318	✓	✓

CW-30 Dedicated Coupler

Undercarriage	Front Outriggers; Rear Blade	MH (2 sets Outriggers)
Counterweight	4.0 mt	4.0 mt
Boom Type	1 PC	1 PC
Stick Length	2.50 m (8'2")	2.50 m (8'2")
P318 Primary Pulverizer	✓	✓

CS-40 S Dedicated Coupler

Undercarriage	Front Outriggers; Rear Blade				
	3.9 mt		4.4 mt		5.4 mt
Counterweight					
Boom Type	VA	1 PC	VA	1 PC	VA
Stick Length	2.20 m (7'3")	2.20 m (7'3")	2.20 m (7'3")	2.20 m (7'3")	2.20 m (7'3")
P218	✓	✓	✓	✓	✓
P224					
P318	✓	✓	✓	✓	✓

CS-40 S Dedicated Coupler *(continued)*

Undercarriage	Front Outriggers; Rear Blade						
	5.4 mt	3.9 mt		4.4 mt		5.4 mt	
Counterweight							
Boom Type	1 PC	VA	1 PC	VA	1 PC	VA	1 PC
Stick Length	2.20 m (7'3")	2.20 m (7'3")	2.20 m (7'3")	2.20 m (7'3")	2.20 m (7'3")	2.20 m (7'3")	2.20 m (7'3")
P218	✓	✓	✓	✓	✓	✓	✓
P224							
P318	✓	✓	✓	✓	✓	✓	✓

CW-40 Dedicated Coupler

Undercarriage	Front Outriggers; Rear Blade					
	3.9 mt		4.4 mt		5.4 mt	
Counterweight						
Boom Type	VA	1 PC	VA	1 PC	VA	1 PC
Stick Length	2.20 m (7'3")	2.20 m (7'3")	2.20 m (7'3")	2.20 m (7'3")	2.20 m (7'3")	2.20 m (7'3")
P218	✓	✓	✓	✓	✓	✓
P318	✓	✓	✓	✓	✓	✓

(continued on next page)

Pulverizer Technical Specifications

Matching – Wheeled Excavators *(continued)*

 Match

 * Working Range Front Only

 No Match

M322D2 *(continued)*

CW-40 Dedicated Coupler *(continued)*

Undercarriage	Front and Rear Outriggers						Rear Blade	
	3.9 mt		4.4 mt		5.4 mt		5.4 mt	
Counterweight	VA	1 PC	VA	1 PC	VA	1 PC	VA	1 PC
Stick Length	2.20 m (7'3")	2.20 m (7'3")	2.20 m (7'3")	2.20 m (7'3")	2.20 m (7'3")	2.20 m (7'3")	2.20 m (7'3")	2.20 m (7'3")
P218	✓	✓	✓	✓	✓	✓	✓	✓*
P318	✓	✓	✓	✓	✓	✓	✓	✓*

M322F

Pin-on

Undercarriage	Front Blade; Rear Outriggers				Front Outriggers; Rear Blade			
	3.5 mt		4.7 mt		3.5 mt		4.7 mt	
Counterweight	VA	1 PC	VA	1 PC	VA	1 PC	VA	1 PC
Stick Length	2.50 m (8'2")	2.50 m (8'2")	2.50 m (8'2")	2.50 m (8'2")	2.50 m (8'2")	2.50 m (8'2")	2.50 m (8'2")	2.50 m (8'2")
P218 Secondary Pulverizer	✓	✓	✓	✓	✓	✓	✓	✓
P318 Primary Pulverizer	✓	✓	✓	✓	✓	✓	✓	✓

Pin-on *(continued)*

Undercarriage	Front and Rear Outriggers				Rear Blade	
	3.5 mt		4.7 mt		4.7 mt	
Counterweight	VA	1 PC	VA	1 PC	VA	1 PC
Stick Length	2.50 m (8'2")	2.50 m (8'2")	2.50 m (8'2")	2.50 m (8'2")	2.50 m (8'2")	2.50 m (8'2")
P218 Secondary Pulverizer	✓	✓	✓	✓	✓	✓
P318 Primary Pulverizer	✓	✓	✓	✓	✓	✓*

M322D2 MH

Pin-on

Undercarriage	Front Outriggers; Rear Blade		MH (2 sets Outriggers)	
	4.0 mt		4.0 mt	
Counterweight	1 PC		1 PC	
Stick Length	2.50 m (8'2")	2.80 m (9'2")	2.50 m (8'2")	2.80 m (9'2")
P218 Secondary Pulverizer	✓		✓	
P318 Primary Pulverizer	✓	✓	✓	✓

M324D2 MH

Pin-on

Undercarriage	Front Outriggers; Rear Blade	MH (2 sets Outriggers)
	Counterweight	5.4 mt
Boom Type	1 PC	1 PC
Stick Length	2.50 m (8'2")	2.50 m (8'2")
P218 Secondary Pulverizer	✓	✓
P318 Primary Pulverizer	✓	✓

Pulverizer Technical Specifications

Matching – Material Handlers

 Match

 Working Range Front Only

 No Match

MH3022

Pin-on

Undercarriage	Front Outriggers; Rear Blade				Front and Rear Outriggers			
	3.7 mt		4.2 mt		3.7 mt		4.2 mt	
Counterweight	VA	1 PC	VA	1 PC	VA	1 PC	VA	1 PC
Stick Length	2.50 m (8'2")	2.50 m (8'2")	2.50 m (8'2")	2.50 m (8'2")	2.50 m (8'2")	2.50 m (8'2")	2.50 m (8'2")	2.50 m (8'2")
P218 Secondary Pulverizer	✓	✓	✓	✓	✓	✓	✓	✓
P318 Primary Pulverizer	✓	✓	✓	✓	✓	✓	✓	✓

Pin-on (continued)

Undercarriage	MH (2.55 m)				MH (2.99 m)			
	3.7 mt		4.2 mt		3.7 mt		4.2 mt	
Counterweight	1 PC	VA	VA	1 PC	VA	1 PC	VA	1 PC
Stick Length	2.50 m (8'2")	2.50 m (8'2")	2.50 m (8'2")	2.50 m (8'2")	2.50 m (8'2")	2.50 m (8'2")	2.50 m (8'2")	2.50 m (8'2")
P218 Secondary Pulverizer	✓	✓	✓	✓	✓	✓	✓	✓
P318 Primary Pulverizer	✓	✓	✓	✓	✓	✓	✓	✓

Cat Pin Grabber Coupler

Undercarriage	MH (2.55 m)
Counterweight	3.7 mt
Boom Type	1 PC
Stick Length	2.50 m (8'2")
P318	✓

CS-30 S Dedicated Coupler

Undercarriage	Front Outriggers; Rear Blade		Front and Rear Outriggers		MH (2.55 m)		MH (2.99 m)	
	3.7 mt	4.2 mt	3.7 mt	4.2 mt	3.7 mt	4.2 mt	3.7 mt	4.2 mt
Counterweight	1 PC	1 PC	1 PC	1 PC	1 PC	1 PC	1 PC	1 PC
Stick Length	2.50 m (8'2")	2.50 m (8'2")	2.50 m (8'2")	2.50 m (8'2")	2.50 m (8'2")	2.50 m (8'2")	2.50 m (8'2")	2.50 m (8'2")
P318 Primary Pulverizer	✓	✓	✓	✓	✓	✓	✓	✓

CW-30 Dedicated Coupler

Undercarriage	Front Outriggers; Rear Blade		Front and Rear Outriggers		MH (2.55 m)		MH (2.99 m)	
	3.7 mt	4.2 mt	3.7 mt	4.2 mt	3.7 mt	4.2 mt	3.7 mt	4.2 mt
Counterweight	1 PC	1 PC	1 PC	1 PC	1 PC	1 PC	1 PC	1 PC
Stick Length	2.50 m (8'2")	2.50 m (8'2")	2.50 m (8'2")	2.50 m (8'2")	2.50 m (8'2")	2.50 m (8'2")	2.50 m (8'2")	2.50 m (8'2")
P318	✓	✓	✓	✓	✓	✓	✓	✓

CS-40 S Dedicated Coupler

Undercarriage	MH (2.55 m)
Counterweight	3.7 mt
Boom Type	1 PC
Stick Length	2.50 m (8'2")
P218	✓
P224	
P318	✓

(continued on next page)

Matching – Material Handlers *(continued)*

 Match

 Working Range Front Only

 No Match

MH3022 *(continued)*

CW-40 Dedicated Coupler

Undercarriage	MH (2.55 m)
Counterweight	3.7 mt
Boom Type	1 PC
Stick Length	2.50 m (8'2")
P218	✓
P318	✓

S70 Dedicated Coupler

Undercarriage	MH (2.55 m)
Counterweight	3.7 mt
Boom Type	1 PC
Stick Length	2.50 m (8'2")
P218	✓
P318	✓

HCS70 Dedicated Coupler

Undercarriage	MH (2.55 m)
Counterweight	3.7 mt
Boom Type	1 PC
Stick Length	2.50 m (8'2")
P318	✓

MH3024

Pin-on

Undercarriage	MH (2.75 m)		MH (2.99 m)		Front Blade; Rear Outriggers		
Counterweight	4.2 mt		4.2 mt		4.2 mt		
Boom Type	VA	1 PC	VA	1 PC	VA	1 PC	
Stick Length	2.50 m (8'2")	2.50 m (8'2")	2.50 m (8'2")	2.50 m (8'2")	2.50 m (8'2")	2.50 m (8'2")	2.90 m (9'6")
P218 Secondary Pulverizer	✓	✓	✓	✓	✓	✓	✓
P318 Primary Pulverizer	✓	✓	✓	✓	✓	✓	✓

Pin-on *(continued)*

Undercarriage	Front Outriggers; Rear Blade						
Counterweight	4.1 mt		4.2 mt		5.2 mt		
Boom Type	VA	1 PC	VA	1 PC	VA	1 PC	
Stick Length	2.50 m (8'2")	2.50 m (8'2")	2.50 m (8'2")	2.50 m (8'2")	2.90 m (9'6")	2.50 m (8'2")	2.50 m (8'2")
P218 Secondary Pulverizer	✓	✓	✓	✓	✓	✓	✓
P318 Primary Pulverizer	✓	✓	✓	✓	✓	✓	✓

Pin-on *(continued)*

Undercarriage	Front and Rear Outriggers			
Counterweight	4.1 mt		5.2 mt	
Boom Type	VA	1 PC	VA	1 PC
Stick Length	2.50 m (8'2")	2.50 m (8'2")	2.50 m (8'2")	2.50 m (8'2")
P218 Secondary Pulverizer	✓	✓	✓	✓
P318 Primary Pulverizer	✓	✓	✓	✓

(continued on next page)

Pulverizer Technical Specifications

Matching – Material Handlers *(continued)*

 Match

 * Working Range Front Only

 No Match

MH3024 *(continued)*

Cat Pin Grabber Coupler

Undercarriage	Front Blade; Rear Outriggers	Front Outriggers; Rear Blade
Counterweight	4.2 mt	4.2 mt
Boom Type	1 PC	1 PC
Stick Length	2.50 m (8'2")	2.50 m (8'2")
P318	✓	✓

CS-30 S Dedicated Coupler

Undercarriage	Front Blade; Rear Outriggers	Front Outriggers; Rear Blade	MH (2.75 m)	MH (2.99 m)
Counterweight	4.2 mt	4.2 mt	4.2 mt	4.2 mt
Boom Type	1 PC	1 PC	1 PC	1 PC
Stick Length	2.50 m (8'2")	2.50 m (8'2")	2.50 m (8'2")	2.50 m (8'2")
P318 Primary Pulverizer	✓	✓	✓	✓

CW-30 Dedicated Coupler

Undercarriage	Front Blade; Rear Outriggers	Front Outriggers; Rear Blade	MH (2.75 m)	MH (2.99 m)
Counterweight	4.2 mt	4.2 mt	4.2 mt	4.2 mt
Boom Type	1 PC	1 PC	1 PC	1 PC
Stick Length	2.50 m (8'2")	2.50 m (8'2")	2.50 m (8'2")	2.50 m (8'2")
P318	✓	✓	✓	✓

CS-40 S Dedicated Coupler

Undercarriage	Front Blade; Rear Outriggers	Front Outriggers; Rear Blade
Counterweight	4.2 mt	4.2 mt
Boom Type	1 PC	1 PC
Stick Length	2.50 m (8'2")	2.50 m (8'2")
P218	✓	✓
P224		
P318	✓	✓

CW-40 Dedicated Coupler

Undercarriage	Front Blade; Rear Outriggers	Front Outriggers; Rear Blade
Counterweight	4.2 mt	4.2 mt
Boom Type	1 PC	1 PC
Stick Length	2.50 m (8'2")	2.50 m (8'2")
P218	✓	✓
P318	✓	✓

(continued on next page)

Matching – Material Handlers *(continued)*

 Match

 * Working Range Front Only

 No Match

MH3024 *(continued)*

S70 Dedicated Coupler

Undercarriage	Front Blade; Rear Outriggers	Front Outriggers; Rear Blade
Counterweight	4.2 mt	4.2 mt
Boom Type	1 PC	1 PC
Stick Length	2.50 m (8'2")	2.50 m (8'2")
P218	✓	✓
P318	✓	✓

HCS70 Dedicated Coupler

Undercarriage	Front Blade; Rear Outriggers	Front Outriggers; Rear Blade
Counterweight	4.2 mt	4.2 mt
Boom Type	1 PC	1 PC
Stick Length	2.50 m (8'2")	2.50 m (8'2")
P318	✓	✓

MH3026

Pin-on

Undercarriage	MH (2.75 m)		MH (2.99 m)		Front Blade; Rear Outriggers		Front Outriggers; Rear Blade	
	5.2 mt		5.2 mt		5.2 mt		5.2 mt	
Boom Type	VA	1 PC	VA	1 PC	VA	1 PC	VA	1 PC
Stick Length	2.50 m (8'2")	2.50 m (8'2")	2.50 m (8'2")	2.50 m (8'2")	2.50 m (8'2")	2.50 m (8'2")	2.50 m (8'2")	2.50 m (8'2")
P218 Secondary Pulverizer	✓	✓	✓	✓	✓	✓	✓	✓
P318 Primary Pulverizer	✓	✓	✓	✓	✓	✓	✓	✓

For more complete information on Cat products, dealer services, and industry solutions, visit us on the web at www.cat.com

GEJQ0386-00 (08-2021)
(Global)

© 2021 Caterpillar
All rights reserved

Materials and specifications are subject to change without notice. Featured machines in photos may include additional equipment. See your Cat dealer for available options.

CAT, CATERPILLAR, LET'S DO THE WORK, their respective logos, "Caterpillar Corporate Yellow," the "Power Edge" and Cat "Modern Hex" trade dress as well as corporate and product identity used herein, are trademarks of Caterpillar and may not be used without permission.

