

BH130

SMART BACKHOE



Model
BH130

Machine Compatibility
226D3 – 299D3 XE

Machine model availability and attachment vary by region. Contact your local Cat® dealer for exact compatibility and availability.



The Cat BH130 Smart Backhoe is used for digging footings, drainage ditches, utility trenching, backfilling and maintaining slopes and embankments in a variety of construction, industrial and landscape settings. When paired with Cat hammers, the backhoe is ideal for demolishing concrete. Equipped with an optional thumb, it can be used for handling brush and bulky objects, such as rocks and stumps. With an auger, it does extremely well at drilling holes for fence posts, trees and shrubs.

FEATURES



PRODUCTIVITY AND MANEUVERABILITY

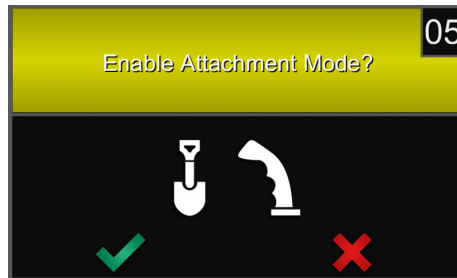
In-cab operation increases productivity by reducing the amount of time required to reposition compared to traditional skid steer loader backhoes, allowing for faster cycle times than competitive units. The compact package of the machine and backhoe allows the operator to maneuver more easily in confined areas and leaves more trailer space for Cat work tools.

“BEST-IN-CLASS” COMFORT

- + Operators can dig, excavate, side-shift, and even reposition the machine and backhoe without ever leaving the seat.
- + Remain in the cab for extended periods of time, with little fatigue since the cab offers comfort and cover from extreme temperatures or inclement weather conditions.

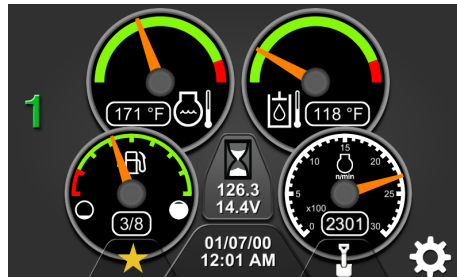
EXCAVATION REACH

Reach 3 meters or 10 feet for utilities, footers, and deeper trenches in excavation projects.



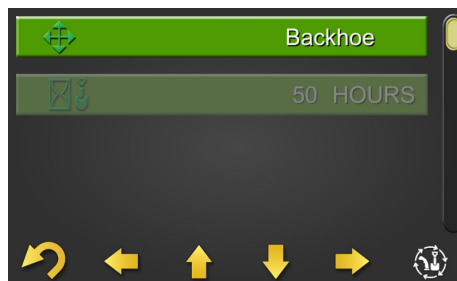
SMART ATTACHMENT

Enable smart attachment screen at machine startup to switch to dig mode.



DEDICATED DISPLAY

Integrated operation with dedicated display for settings and activation.



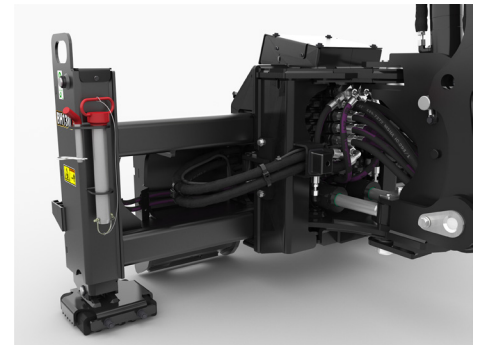
PATTERN SELECTION

Both backhoe loader and excavator control patterns are available and easily changed on the machine's display screen.



EXISTING MACHINE JOYSTICKS

- + Existing seat mounted joystick controls eliminate the need to remove the door for operation.
- + Easily change from drive mode to attachment mode with the right trigger.



HYDRAULIC SIDE-SHIFT AND STABILIZERS

- + Side-shift provides the ability to position boom close to walls to dig, expose brick ledges, backfill and widen trenches.
- + Stabilizers provide additional stability.



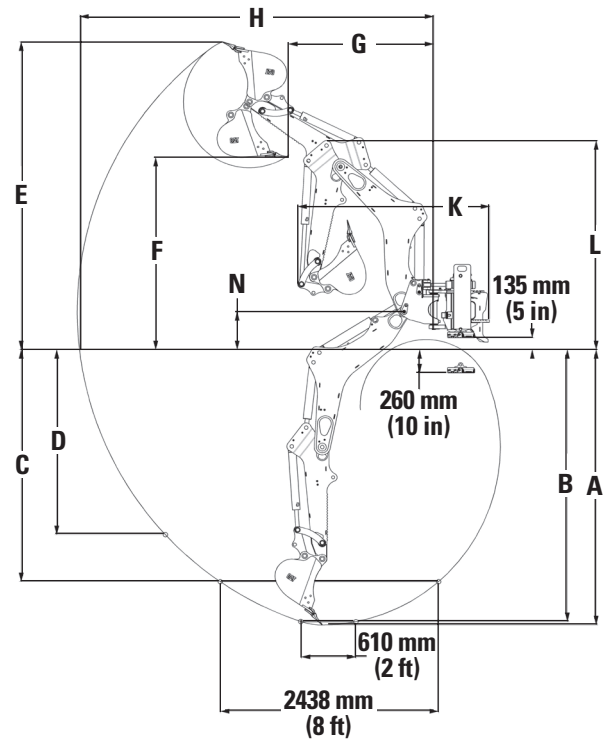
STANDARD TWO YEAR WARRANTY

Standard two year warranty gives you peace of mind when purchasing a quality Cat backhoe attachment.

BH130 SMART BACKHOE ATTACHMENT

SPECIFICATIONS

Model	BH130
A Maximum Digging Depth	2972 mm 117 in
B Digging Depth at 610 mm (2 ft)	3156 mm 124 in
C Digging Depth at 4220 mm (8 ft)	2705 mm 107 in
D Straight Wall Digging Depth	2020 mm 80 in
E Overall Operating Height	3723 mm 147 in
F Loading Height	2470 mm 97 in
G Loading Reach	1869 mm 74 in
H Reach from Swing Pivot at Ground	4029 mm 159 in
K Overall Length	2210 mm 87 in
Stabilizer Spread – Operating Position	1813 mm 71 in
Total Side Shift Travel	838 mm 33 in
Swing Arc	180 degrees
Bucket Rotation	183 degrees
Bucket Breakout Force	3181 kg 7,013 lb
Stick Breakout Force	1605 kg 3,538 lb
Optimal Hydraulic Flow	50-86 L/min 13-23 gpm
Optimal Hydraulic Pressure	180-230 bar 2,600-3,340 psi
Transport	
L Transport Height	2562 mm 101 in
N Boom Pivot Height	448 mm 18 in
Transport Width	2041 mm 80 in
Transport Length (with 448 mm [18 in] bucket)	825 mm 33 in
Ground Clearance	99 mm 3.9 in
Operating Weight	1055 kg 2,326 lb



BH130 SMART BACKHOE ATTACHMENT

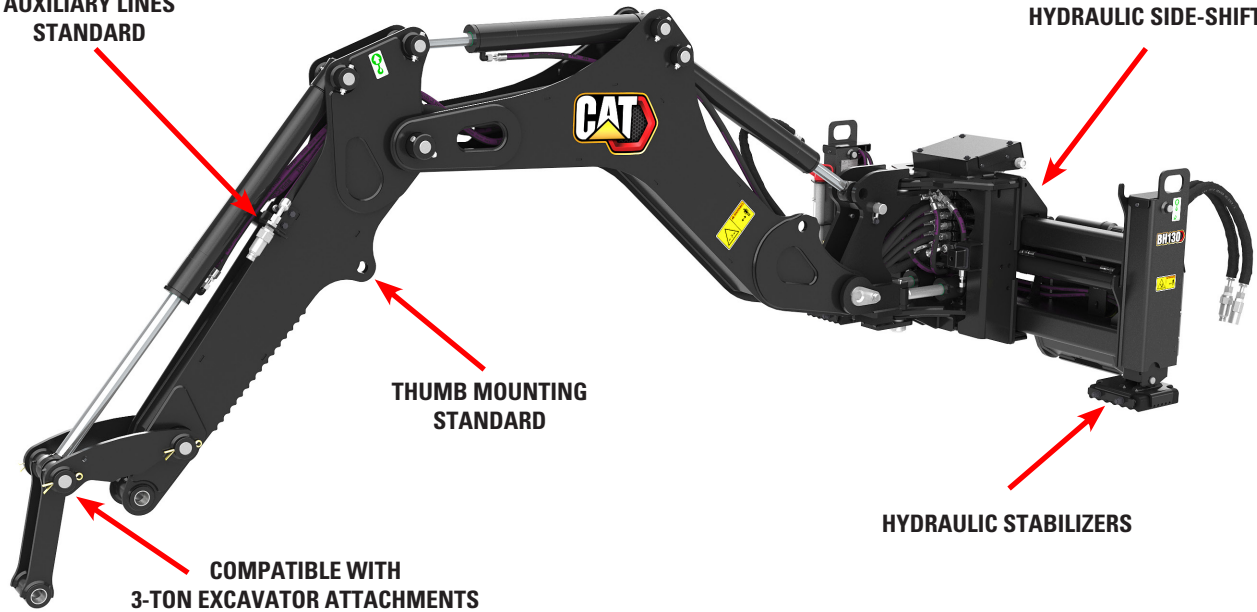
COMPATIBLE TOOLS

Cat 3-ton excavator attachments can easily be used and exchanged with coupler for increased versatility.



AUXILIARY LINES
STANDARD

HYDRAULIC SIDE-SHIFT



THUMB MOUNTING
STANDARD

HYDRAULIC STABILIZERS

COMPATIBLE WITH
3-TON EXCAVATOR ATTACHMENTS

For more complete information on Cat products, dealer services and industry solutions, visit us on the web at www.cat.com

AEHQ8398 (10-2021)
(Global)

© 2021 Caterpillar. All Rights Reserved.

Materials and specifications are subject to change without notice. Featured machines in photos may include additional equipment. See your Cat dealer for available options.

CAT, CATERPILLAR, LET'S DO THE WORK, their respective logos, "Caterpillar Corporate Yellow," the "Power Edge" and Cat "Modern Hex" trade dress as well as corporate and product identity used herein, are trademarks of Caterpillar and may not be used without permission.
www.cat.com www.caterpillar.com

