

# Cat® 3512C

## Diesel Generator Sets



Image shown may not reflect actual configuration

Bore – mm (in)	170 (6.69)
Stroke – mm (in)	190 (7.48)
Displacement – L (in <sup>3</sup> )	51.8 (3161)
Compression Ratio	14.7:1
Aspiration	TA
Fuel System	EUI
Governor Type	ADEM™ A3

Prime-DCP 60 Hz ekW (kVA)	Emissions Performance
1360 (1700)	U.S. EPA Stationary Emergency Use Only. (Tier 2)

### Features

#### Cat® Diesel Engine

- Meets U.S. EPA Stationary Emergency Use Only (Tier 2) emission standards
- Reliable performance proven in thousands of applications worldwide
- Certified alternative fuels including Hydrotreated Vegetable Oil (HVO), Renewable Diesel (RD) and Hydrotreated Renewable Diesel (HRD) which meet EN 15940 or ASTM D975 can be used or blended with EN 590 diesel

#### Generator Set Package

- Accepts 100% block load in one step
- Meets NFPA 110 loading requirements
- Conforms to ISO 8528-5 G3 load acceptance requirements
- Reliability verified through torsional vibration, fuel consumption, oil consumption, transient performance, and endurance testing

#### Alternators

- Superior motor starting capability minimizes need for oversizing generator
- Designed to match performance and output characteristics of Cat diesel engines

#### Cooling System

- Cooling systems available to operate in ambient temperatures up to 50°C (122°F)
- Tested to ensure proper generator set cooling

#### Cat Energy Control System (ECS)

- User-friendly interface and navigation
- Scalable system to meet a wide range of installation requirements
- Expansion modules and site specific programming for specific customer requirements
- Graphical touchscreen display
- Easily upgradeable

#### Warranty

- 12 months/unlimited hour warranty for prime-DCP ratings
- Extended service protection is available to provide extended coverage options

#### Worldwide Product Support

- Cat dealers have over 1,800 dealer branch stores operating in 200 countries
- Your local Cat dealer provides extensive post-sale support, including maintenance and repair agreements

#### Financing

- Caterpillar offers an array of financial products to help you succeed through financial service excellence
- Options include loans, finance lease, operating lease, working capital, and revolving line of credit
- Contact your local Cat dealer for availability in your region

## Standard and Optional Equipment

### Engine

#### **Air Cleaner**

- Single element
- Dual element
- Heavy duty

#### **Muffler**

- Industrial grade (15 dB)

#### **Starting**

- Standard batteries
- Oversized batteries
- Standard electric starter(s)
- Dual electric starter(s)
- Air starter(s)
- Jacket water heater

### Alternator

#### **Output voltage**

- 380V     6600V
- 440V     6900V
- 480V     12470V
- 600V     13200V
- 4160V    13800V
- 6300V

#### **Temperature Rise (over 40°C ambient)**

- 150°C
- 125°C/130°C
- 105°C
- 80°C

#### **Winding type**

- Random wound
- Form wound

#### **Excitation**

- Internal excitation (IE)
- Permanent magnet (PM)

#### **Attachments**

- Anti-condensation heater
- Stator and bearing temperature monitoring and protection

### Power Termination

#### **Type**

- Bus bar
- Circuit breaker
- 1600A     2000A
- 2500A     3200A
- 3000A
- UL         IEC
- 3-pole     4-pole
- Manually operated
- Electrically operated

#### **Trip Unit**

- LSI         LSI-G
- LSIG-P

### Control System

#### **Controller**

- Cat ECS 100
- Cat ECS 200
- EMCP 4.4

#### **Attachments**

- Local annunciator module
- Remote annunciator module
- Expansion I/O module
- Remote monitoring software

### Charging

- Battery charger – 10A
- Battery charger – 20A
- Battery charger – 35A

### Vibration Isolators

- Spring
- Seismic rated

### Cat Connect

#### **Connectivity**

- Ethernet
- Cellular

### Extended Service Options

#### **Terms**

- 2 year (prime)
- 3 year
- 5 year
- 10 year

#### **Coverage**

- Silver
- Gold
- Platinum
- Platinum Plus

### Ancillary Equipment

- Automatic transfer switch (ATS)
- Paralleling switchgear
- Paralleling controls

### Certifications

- ULC 2200 Listed
- IBC seismic certification
- OSHPD pre-approval

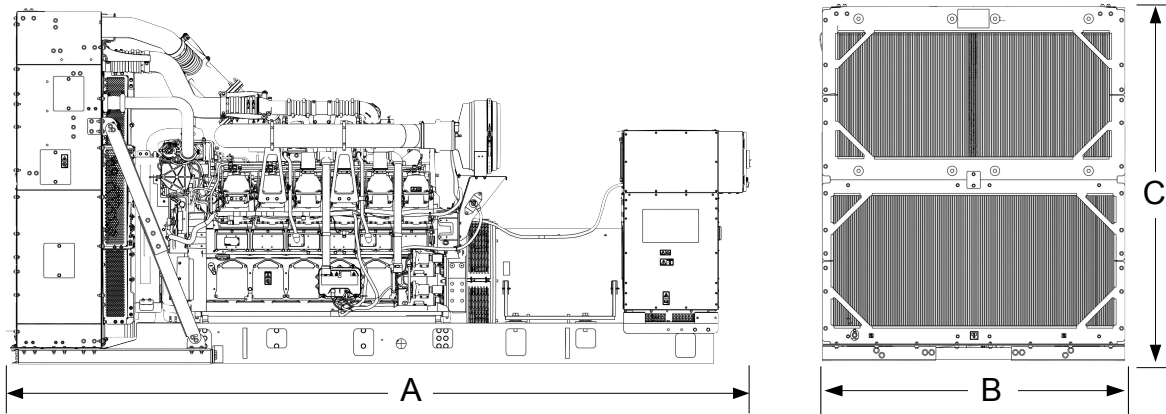
**Note:** Some options may not be available on all models. Certifications may not be available with all model configurations. Consult factory for availability.

## Package Performance

<b>Performance</b>	<b>Prime-DCP</b>	
Frequency	60 Hz	
Gen set power rating with fan	1360 ekW	
Gen set power rating with fan @ 0.8 power factor	1700 kVA	
Emissions certification	EPA ESE (Tier 2)	
Performance number	EM5955-01	
<b>Fuel Consumption</b>		
100% load with fan – L/hr (gal/hr)	352.5	(93.1)
75% load with fan – L/hr (gal/hr)	276.7	(73.1)
50% load with fan – L/hr (gal/hr)	195.3	(51.6)
25% load with fan – L/hr (gal/hr)	115.9	(30.6)
<b>Cooling System</b>		
Radiator air flow restriction (system) – kPa (in. water)	0.12	(0.48)
Radiator air flow – m <sup>3</sup> /min (cfm)	1745	(61624)
Engine coolant capacity – L (gal)	156.8	(41.4)
Radiator coolant capacity – L (gal)	128.0	(33.8)
Total coolant capacity – L (gal)	284.8	(75.2)
<b>Inlet Air</b>		
Combustion air inlet flow rate – m <sup>3</sup> /min (cfm)	130.9	(4621.6)
<b>Exhaust System</b>		
Exhaust stack gas temperature – °C (°F)	387.3	(729.2)
Exhaust gas flow rate – m <sup>3</sup> /min (cfm)	303.5	(10715.6)
Exhaust system backpressure (maximum allowable) – kPa (in. water)	6.7	(27.0)
<b>Heat Rejection</b>		
Heat rejection to jacket water – kW (Btu/min)	471	(26784)
Heat rejection to exhaust (total) – kW (Btu/min)	1316	(74821)
Heat rejection to aftercooler – kW (Btu/min)	463	(26343)
Heat rejection to atmosphere from engine – kW (Btu/min)	118	(6701)
Heat rejection from alternator – kW (Btu/min)	64	(3645)
<b>Emissions* (Nominal)</b>		
NOx mg/Nm <sup>3</sup> (g/hp-h)	1961.1	(4.62)
CO mg/Nm <sup>3</sup> (g/hp-h)	207.3	(0.42)
HC mg/Nm <sup>3</sup> (g/hp-h)	59.8	(0.14)
PM mg/Nm <sup>3</sup> (g/hp-h)	13.5	(0.03)
<b>Emissions* (Potential Site Variation)</b>		
NOx mg/Nm <sup>3</sup> (g/hp-h)	2353.3	(5.54)
CO mg/Nm <sup>3</sup> (g/hp-h)	373.1	(0.76)
HC mg/Nm <sup>3</sup> (g/hp-h)	79.6	(0.19)
PM mg/Nm <sup>3</sup> (g/hp-h)	18.9	(0.05)

\*mg/Nm<sup>3</sup> levels are corrected to 5% O<sub>2</sub>. Contact your local Cat dealer for further information.

## Weights and Dimensions



Dim "A" mm (in)	Dim "B" mm (in)	Dim "C" mm (in)	Dry Weight kg (lb)
5618 (221.2)	2279 (89.7)	2652 (104.4)	13 141 (28,971)

**Note:** For reference only. Do not use for installation design. Contact your local Cat dealer for precise weights and dimensions.

## Ratings Definitions

### Prime-DCP

For data center applications only. Prime-DCP power output available with varying load for unlimited time. Average power output is not to exceed 100% of prime-DCP rated kW. Typical peak demand is 100% of the prime-DCP rated kW with 10% overload capability for emergency use for a maximum of 1 hour in 12. Overload operation cannot exceed 25 hours per year.

### Applicable Codes and Standards

AS 1359, ULC 2200 3rd edition, UL 489, UL 869A, IBC, IEC 60034-1, ISO 3046, ISO 8528, NEMA MG1-22, NEMA MG1-33, 2014/35/EU, 2006/42/EC, 2014/30/EU and facilitates compliance to NFPA 37, NFPA 70, NFPA 99, NFPA 110.

**Note:** Codes may not be available in all model configurations. Please consult your local Cat dealer for availability.

### Data Center Applications

- ISO 8528-1 Data Center Power (DCP) compliant per Cat diesel generator set prime-DCP power rating.
- All ratings Tier III/Tier IV compliant per Uptime Institute requirements.
- All ratings ANSI/TIA-942 compliant for Rated-1 through Rated-4 data centers.

### Fuel Rates

Fuel consumption reported in accordance with ISO 3046-1, based on fuel oil of 35° API [16°C (60°F)] gravity having an LHV of 42,780 kJ/kg (18,390 Btu/lb) when used at 15°C (59°F) and weighing 850 g/liter (7.0936 lbs/U.S. gal.) All fuel consumption values refer to rated engine power.

[www.cat.com/electricpower](http://www.cat.com/electricpower)

©2023 Caterpillar

All rights reserved.

Materials and specifications are subject to change without notice. The International System of Units (SI) is used in this publication.

CAT, CATERPILLAR, LET'S DO THE WORK, their respective logos, "Caterpillar Corporate Yellow", the "Power Edge" and Cat "Modern Hex" trade dress as well as corporate and product identity used herein, are trademarks of Caterpillar and may not be used without permission.