

Cat® 3512

Diesel Generator Sets



Image shown may not reflect actual configuration

Bore – mm (in)	170 (6.69)
Stroke – mm (in)	190 (7.48)
Displacement – L (in ³)	51.8 (3161.03)
Compression Ratio	13.5:1
Aspiration	TA
Fuel System	MUI
Governor Type	Woodward

Prime-DCP 50 Hz kVA (ekW)	Emissions Performance
1275 (1020)	Optimized for Low Fuel Consumption
1150 (920)	Optimized for Low Fuel Consumption

Features

Cat® Diesel Engine

- Designed and optimized for low fuel consumption
- Reliable performance proven in thousands of applications worldwide

Generator Set Package

- Accepts 100% block load in one step and meets NFPA 110 loading requirements
- Conforms to ISO 8528-5 G3 load acceptance requirements
- Reliability verified through torsional vibration, fuel consumption, oil consumption, transient performance, and endurance testing

Alternators

- Superior motor starting capability minimizes need for oversizing generator
- Designed to match performance and output characteristics of Cat diesel engines

Cooling System

- Cooling systems available to operate in ambient temperatures up to 50°C (122°F)
- Tested to ensure proper generator set cooling

EMCP 4 Control Panels

- User-friendly interface and navigation
- Scalable system to meet a wide range of installation requirements
- Expansion modules and site specific programming for specific customer requirements

Warranty

- 12 months/unlimited hour warranty for prime-DCP ratings
- Extended service protection is available to provide extended coverage options

Worldwide Product Support

- Cat dealers have over 1,800 dealer branch stores operating in 200 countries
- Your local Cat dealer provides extensive post-sale support, including maintenance and repair agreements

Financing

- Caterpillar offers an array of financial products to help you succeed through financial service excellence
- Options include loans, finance lease, operating lease, working capital, and revolving line of credit
- Contact your local Cat dealer for availability in your region

Standard and Optional Equipment

Engine

Air Cleaner

- Single element
- Dual element
- Heavy duty

Muffler

- Industrial grade (15 dB)
- Residential grade (20 dB)
- Critical grade (35 dB)

Starting

- Standard batteries
- Oversized batteries
- Standard electric starter(s)
- Dual electric starter(s)
- Air starter(s)
- Jacket water heater

Alternator

Output voltage

- 380V 6600V
- 400V 6900V
- 415V 10000V
- 3300V 10500V
- 6300V 11000V

Temperature Rise (over 40°C ambient)

- 150°C
- 125°C/130°C
- 105°C
- 80°C

Winding type

- Random wound
- Form wound

Excitation

- Internal excitation (IE)
- Permanent magnet (PM)

Attachments

- Anti-condensation heater
- Stator and bearing temperature monitoring and protection

Power Termination

Type

- Bus bar
- Circuit breaker
- 1600A 2000A
- 2500A 3000A
- 3200A
- UL IEC
- 3-pole 4-pole
- Manually operated
- Electrically operated

Trip Unit

- LSI LSI-G
- LSIG-P

Control System

Controller

- EMCP 4.2B

Attachments

- Local annunciator module
- Remote annunciator module
- Expansion I/O module
- Remote monitoring software

Charging

- Battery charger – 10A
- Battery charger – 20A
- Battery charger – 35A

Vibration Isolators

- Rubber
- Spring
- Seismic rated

Cat Connect

Connectivity

- Ethernet
- Cellular

Extended Service Options

Terms

- 2 year (prime)
- 3 year
- 5 year
- 10 year

Coverage

- Silver
- Gold
- Platinum
- Platinum Plus

Ancillary Equipment

- Automatic transfer switch (ATS)
- Paralleling switchgear
- Paralleling controls

Certifications

- IBC seismic certification
- EU Declaration of Conformity
- EU Declaration of Incorporation
- Eurasian Conformity (EAC)

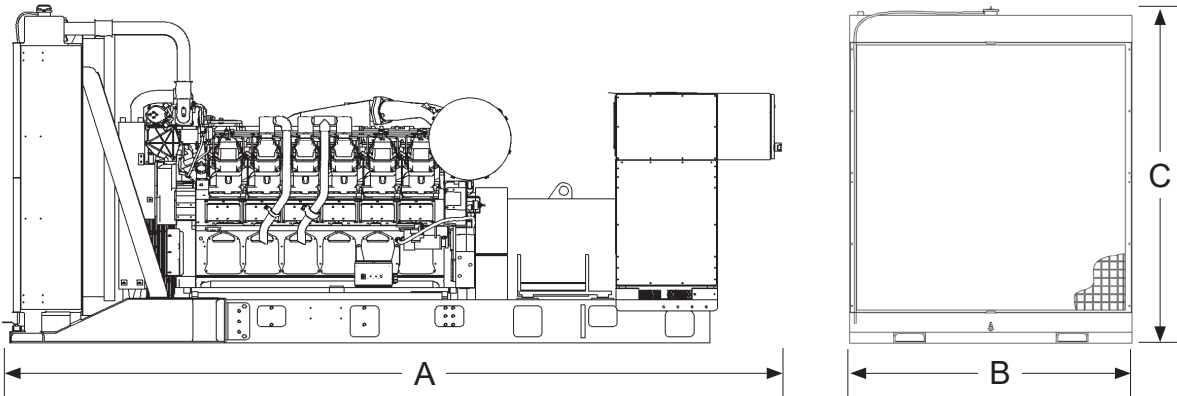
Note: Some options may not be available on all models. Certifications may not be available with all model configurations. Consult factory for availability.

Package Performance

Performance	Prime-DCP		Prime-DCP	
Frequency	50 Hz		50 Hz	
Gen set power rating with fan	1020 ekW		920 ekW	
Gen set power rating with fan @ 0.8 power factor	1275 kVA		1150 kVA	
Emissions	Low Fuel		Low Fuel	
Performance number	EM5995-01		EM5994-01	
Fuel Consumption				
100% load with fan – L/hr (gal/hr)	256.1	(67.7)	234.1	(61.8)
75% load with fan – L/hr (gal/hr)	196.6	(51.9)	179.3	(47.4)
50% load with fan – L/hr (gal/hr)	136.3	(36.0)	125.0	(33.0)
25% load with fan – L/hr (gal/hr)	78.2	(20.7)	72.9	(19.3)
Cooling System				
Radiator air flow restriction (system) – kPa (in. water)	0.12	(0.48)	0.12	(0.48)
Radiator air flow – m ³ /min (cfm)	1558	(55020)	1558	(55020)
Engine coolant capacity – L (gal)	156.8	(41.4)	156.8	(41.4)
Radiator coolant capacity – L (gal)	130.0	(34.0)	130.0	(34.0)
Total coolant capacity – L (gal)	286.8	(75.4)	286.8	(75.4)
Inlet Air				
Combustion air inlet flow rate – m ³ /min (cfm)	92.0	(3248.5)	84.0	(2966.0)
Exhaust System				
Exhaust stack gas temperature – °C (°F)	453.2	(847.8)	451.3	(844.3)
Exhaust gas flow rate – m ³ /min (cfm)	231.8	(8184.9)	212.5	(7503.3)
Exhaust system backpressure (maximum allowable) – kPa (in. water)	6.7	(26.9)	6.7	(26.9)
Heat Rejection				
Heat rejection to jacket water – kW (Btu/min)	616	(35030)	556	(31618)
Heat rejection to exhaust (total) – kW (Btu/min)	1016	(57778)	916	(52090)
Heat rejection to aftercooler – kW (Btu/min)	159	(9041)	125	(7108)
Heat rejection to atmosphere from engine – kW (Btu/min)	115	(6540)	111	(6313)
Heat rejection from alternator – kW (Btu/min)	49	(2798)	45	(2582)
Emissions* (Nominal)				
NOx mg/Nm ³ (g/hp-h)	3501.8	(8.62)	3721.2	(9.12)
CO mg/Nm ³ (g/hp-h)	919.2	(2.26)	882.2	(2.16)
HC mg/Nm ³ (g/hp-h)	74.3	(0.18)	92.9	(0.23)

*mg/Nm³ levels are corrected to 5% O₂. Contact your local Cat dealer for further information.

Weights and Dimensions



Prime-DCP 50 Hz kVA (ekW)	Dim "A" mm (in)	Dim "B" mm (in)	Dim "C" mm (in)	Dry Weight kg (lb)
1275 (1020)	5656 (222.7)	1975 (77.8)	2367 (93.2)	10 510 (23,170)
1150 (920)	5556 (218.8)	1975 (77.8)	2367 (93.2)	10 270 (22,650)

Note: For reference only. Do not use for installation design. Contact your local Cat dealer for precise weights and dimensions.

Ratings Definitions

Prime-DCP

For data center applications only. Prime-DCP power output available with varying load for unlimited time. Average power output is not to exceed 100% of prime-DCP rated ekW. Typical peak demand is 100% of the prime-DCP rated ekW with 10% overload capability for emergency use for a maximum of 1 hour in 12. Overload operation cannot exceed 25 hours per year.

Applicable Codes and Standards

AS 1359, IBC, IEC 60034-1, ISO 3046, ISO 8528, NEMA MG1-22, NEMA MG1-33, 2014/35/EU, 2006/42/EC, 2014/30/EU and facilitates compliance to NFPA 37, NFPA 70, NFPA 99, NFPA 110.

Note: Codes may not be available in all model configurations. Please consult your local Cat dealer for availability.

Data Center Applications

- ISO 8528-1 Data Center Power (DCP) compliant per Cat diesel generator set prime-DCP rating.
- All ratings Tier III/Tier IV compliant per Uptime Institute requirements.
- All ratings ANSI/TIA-942 compliant for Rated-1 through Rated-4 data centers.

Fuel Rates

Fuel consumption reported in accordance with ISO 3046-1, based on fuel oil of 35° API [16°C (60°F)] gravity having an LHV of 42,780 kJ/kg (18,390 Btu/lb) when used at 15°C (59°F) and weighing 850 g/liter (7.0936 lbs/U.S. gal.) All fuel consumption values refer to rated engine power.

www.cat.com/electricpower

©2021 Caterpillar

All rights reserved.

Materials and specifications are subject to change without notice. The International System of Units (SI) is used in this publication.