

# CAT® C1.7

CHINA NONROAD STAGE IV

18.9 KW (25.3 HP)

INDUSTRIAL ENGINE



The C1.7 is an indirect injection industrial diesel engine meeting China Nonroad Stage IV emission standards without the need for electronic control, aftertreatment or exhaust gas recirculation. It is available with many factory configurable options to minimize the costs of machine development and of manufacturing.



## FEATURES AND BENEFITS

### RELIABLE POWER

Manufactured in some of the world's most modern and highly automated production facilities, the Cat® C1.7 is proven to deliver durable power and offers a wide range of customization options that refuse to compromise quality and durability.

### COMPACT SIZE

With a 18.9 kW (25.3 hp) power rating, the C1.7 allows OEMs to consider different installation, operating and commercial requirements. This model is particularly adapted to machines which need high torque, low speed operation or good cold start capability.

### QUIET

The stiff block and indirect injection system make this a quiet engine, minimizing operator fatigue and saving money for OEMs in sound attenuation measures.

## SPECIFICATION

Cylinders	3
Displacement, liters (in <sup>3</sup> )	1.7
Aspiration	Naturally aspirated
Bore and stroke, mm (in)	84 x 100 (3.3 x 3.9)
Maximum power, kW (hp)	18.9 (25.3)
Rated speed, rpm	2200
Maximum torque, Nm (lb ft) @ rpm	97.9 (72.2) @ 1400
Combustion system	Indirect injection
Weight, kg (lb)	158 (348)
Rotation (viewed from flywheel)	Counterclockwise

For additional information on all your power requirements, visit [www.cat-industrial.com](http://www.cat-industrial.com)

All information in this document is substantially correct at time of printing and may be altered subsequently.  
Photographs are for illustrative purposes only and may not reflect final specification.  
Final weight and dimensions will depend on completed specification.  
Information subject to selected configuration, and subject to change without notice.  
Engine power measured per ISO 14396:2002

AEXJ0113-00 (08-21)

© 2021 Caterpillar. All Rights Reserved. CAT, CATERPILLAR, LET'S DO THE WORK, their respective logos, "Caterpillar Corporate Yellow", the "Power Edge" and Cat "Modern Hex" trade dress as well as corporate and product identity used herein, are trademarks of Caterpillar and may not be used without permission.

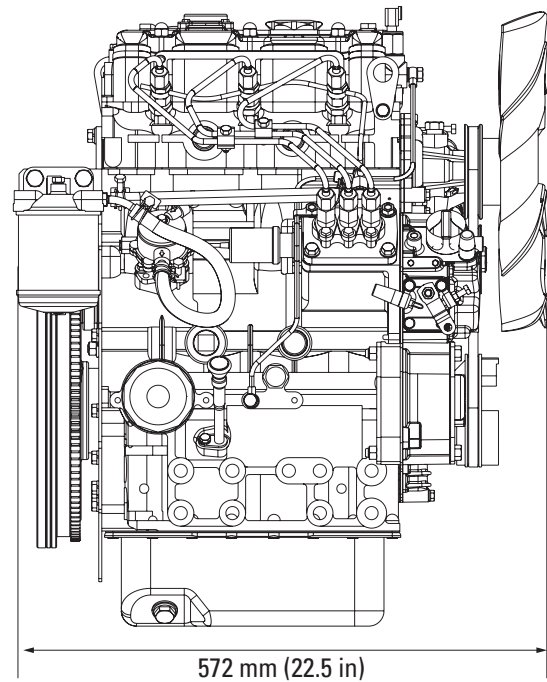
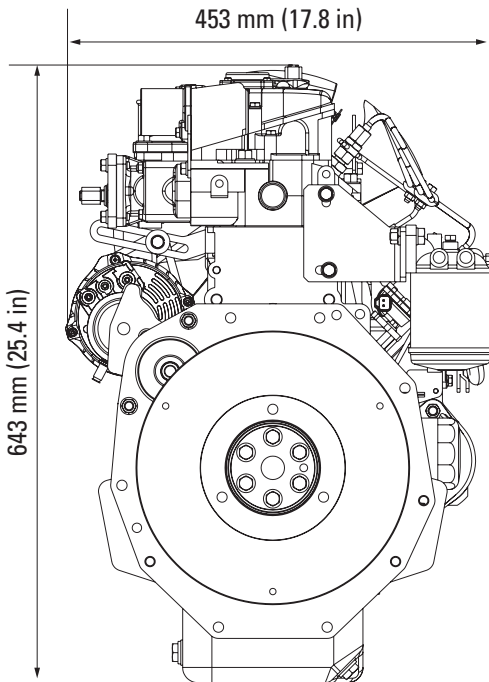
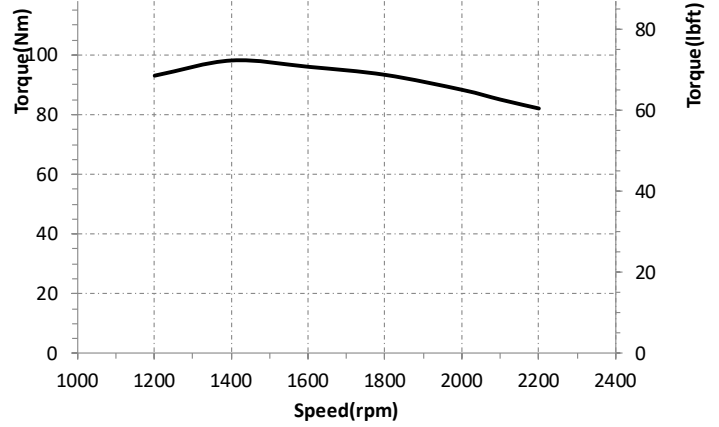
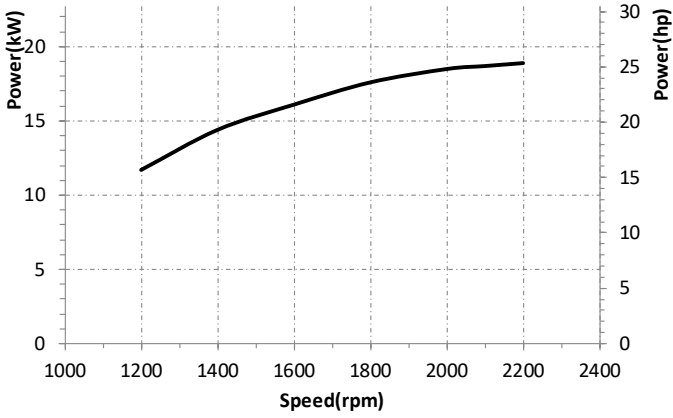
# CAT® C1.7

CHINA NONROAD STAGE IV

18.9 KW (25.3 HP)



INDUSTRIAL ENGINE



For additional information on all your power requirements, visit [www.cat-industrial.com](http://www.cat-industrial.com)

All information in this document is substantially correct at time of printing and may be altered subsequently. Photographs are for illustrative purposes only and may not reflect final specification. Final weight and dimensions will depend on completed specification. Information subject to selected configuration, and subject to change without notice. Engine power measured per ISO 14396:2002

AEXJ0113-00 (08-21)

© 2021 Caterpillar. All Rights Reserved. CAT, CATERPILLAR, LET'S DO THE WORK, their respective logos, "Caterpillar Corporate Yellow", the "Power Edge" and Cat "Modern Hex" trade dress as well as corporate and product identity used herein, are trademarks of Caterpillar and may not be used without permission.