

# CAT® C2.2

CHINA NONROAD STAGE IV

34.1-36.4 KW (45.7-48.8 HP)

INDUSTRIAL ENGINE



The C2.2 and C2.2T are indirect injection industrial diesel engines meeting China Nonroad Stage IV emission standards without the need for electronic control, aftertreatment or exhaust gas recirculation. Available as naturally aspirated or turbocharged for improved low speed torque, we also offer a range of factory configurable options to minimize the cost of machine development and of manufacturing if equipped with e-controller.



## FEATURES AND BENEFITS

### RELIABLE POWER

Manufactured in some of the world's most modern and highly automated production facilities, the Cat® C2.2 is proven to deliver durable power and offers a wide range of customization options that refuse to compromise quality and durability.

### COMPACT SIZE

With a 34.1-36.4 kW (45.7-48.8 hp) power rating, the C2.2 and the C2.2 turbo allows OEMs to consider different installation, operating and commercial requirements. These models are particularly adapted to machines where power from a small package is crucial. And for jobs that require that extra bit of power, there's a turbocharged option that delivers in almost any condition, at any altitude.

### QUIET WORK

The stiff block and indirect injection system make this a quiet engine, minimizing operator fatigue and saving money for OEMs in sound attenuation measures.

## SPECIFICATION

|   |                                     |
|---|-------------------------------------|
| Cylinders                               | 4                                   |
| Displacement, liters (in <sup>3</sup> ) | 2.2                                 |
| Aspiration                              | Naturally aspirated or turbocharged |
| Bore and stroke, mm (in)                | 84 x 100 (3.3 x 3.9)                |
| Maximum power, kW (hp)                  | 36.4 (48.8)                         |
| Rated speed, rpm                        | 2500-2800                           |
| Maximum torque, Nm (lb ft) @ rpm        | 190 (140) @ 1700                    |
| Combustion system                       | Indirect injection                  |
| Weight, kg (lb)                         | 194 (428)                           |
| Rotation (viewed from flywheel)         | Counterclockwise                    |

For additional information on all your power requirements, visit [www.cat-industrial.com](http://www.cat-industrial.com)

All information in this document is substantially correct at time of printing and may be altered subsequently.  
Photographs are for illustrative purposes only and may not reflect final specification.  
Final weight and dimensions will depend on completed specification.  
Information subject to selected configuration, and subject to change without notice.  
Performance measured per ISO 14396:2002

AEXJ0114X-00 (08-21)

© 2021 Caterpillar. All Rights Reserved. CAT, CATERPILLAR, LET'S DO THE WORK, their respective logos, "Caterpillar Corporate Yellow", the "Power Edge" and Cat "Modern Hex" trade dress as well as corporate and product identity used herein, are trademarks of Caterpillar and may not be used without permission.

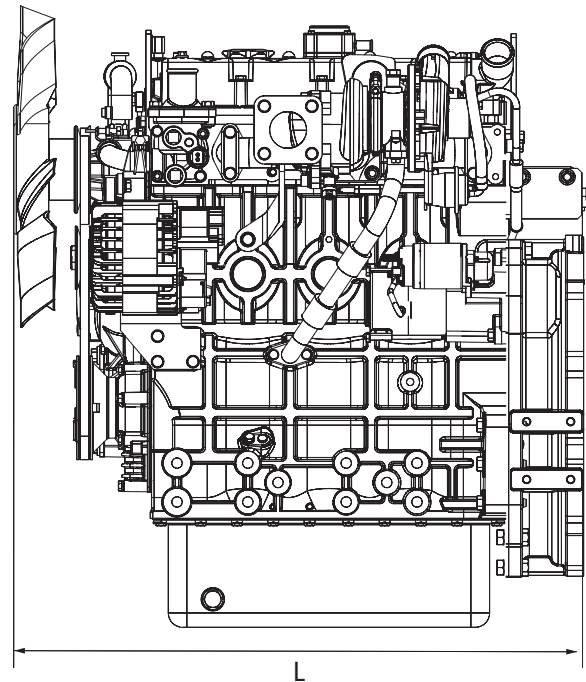
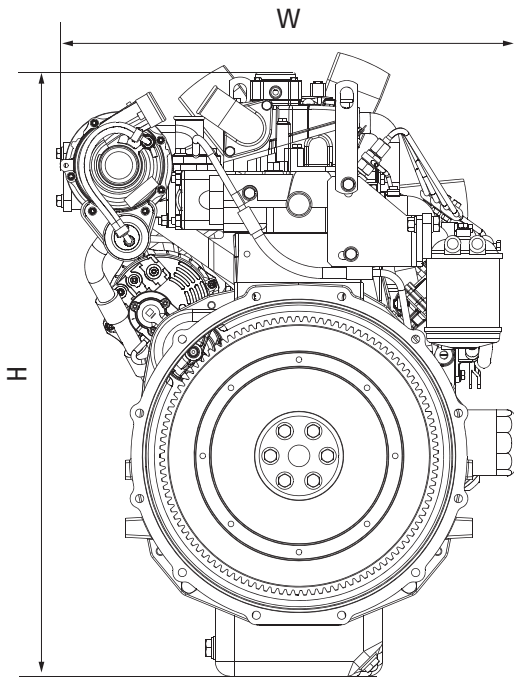
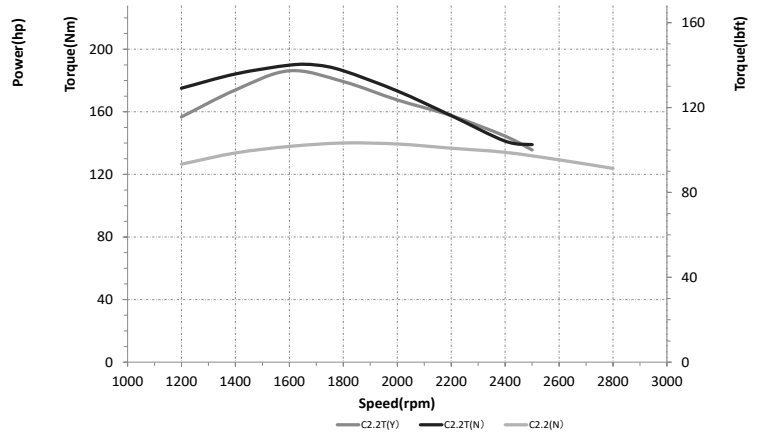
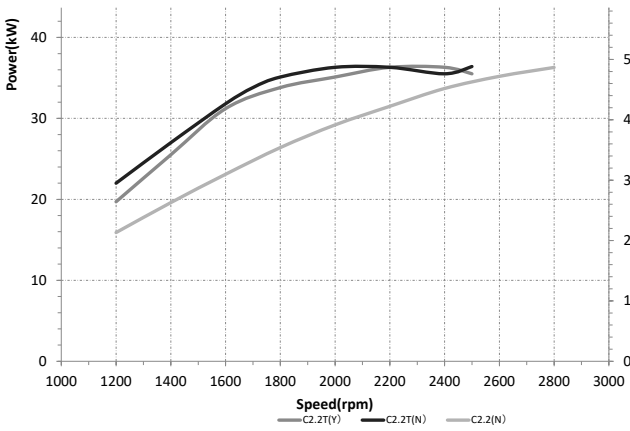
# CAT® C2.2

CHINA NONROAD STAGE IV

34.1-36.4 KW (45.7-48.8 HP)



INDUSTRIAL ENGINE



|                                 | Naturally aspirated | Turbocharged |
|---------------------------------|---------------------|--------------|
| Length (including fan), mm (in) | 661 (26)            | 662 (26.1)   |
| Width, mm (in)                  | 464 (18.3)          | 489 (19.3)   |
| Height, mm (in)                 | 676 (26.6)          | 698 (27.5)   |
| Weight, kg (lb)                 | 184 (406)           | 194 (428)    |

For additional information on all your power requirements, visit [www.cat-industrial.com](http://www.cat-industrial.com)

All information in this document is substantially correct at time of printing and may be altered subsequently. Photographs are for illustrative purposes only and may not reflect final specification. Final weight and dimensions will depend on completed specification. Information subject to selected configuration, and subject to change without notice. Performance measured per ISO 14396:2002

AEXJ0114X-00 (08-21)

© 2021 Caterpillar. All Rights Reserved. CAT, CATERPILLAR, LET'S DO THE WORK, their respective logos, "Caterpillar Corporate Yellow", the "Power Edge" and Cat "Modern Hex" trade dress as well as corporate and product identity used herein, are trademarks of Caterpillar and may not be used without permission.