



# Cat<sup>®</sup> CP68B

## *Padfoot Drum Vibratory Soil Compactor*

The Cat<sup>®</sup> CP68B features a padfoot drum and is ideally suited for cohesive and semi-cohesive soil applications.

### **Comfortable and Ergonomic Operator Station**

- Features pivoting seat with integrated multifunction LCD display and control console.
- Outstanding visibility to the front and rear of machine.
- Low sound levels and vibration for greater operator comfort and productivity.

### **Rear Vision Camera**

- The rear vision camera enhances visibility for more complete operator control and safety.

### **Exceptional Propel System**

- Built around the exclusive Cat<sup>®</sup> dual pump propel system, two pumps provide separate dedicated flow to drum drive motor and rear axle motor for exceptional gradeability and traction in forward and reverse.
- Electronic propel control provides more precise machine control.

### **Virtually Maintenance Free**

- Maintenance-free hitch bearings.
- Extended maintenance intervals for vibratory system and hydraulic system, providing more uptime and lower maintenance costs.

### **Enhanced Compaction Performance**

- More weight at the drum and greater amplitude.
- Automated speed control and vibratory system functions make it easy to ensure consistent, high quality compaction.

### **Technologies that Enhance Quality and Productivity**

- Exclusive semi-autonomous Command for Compaction technology automates compaction to offer complete process control to specification for greater productivity and uniform compaction quality.
- Exclusive Machine Drive Power (MDP) measurement technology available.



# Cat® CP68B Padfoot Drum Vibratory Soil Compactor

## Standard and Optional Equipment

Standard and optional equipment may vary. Consult your Cat dealer for details.

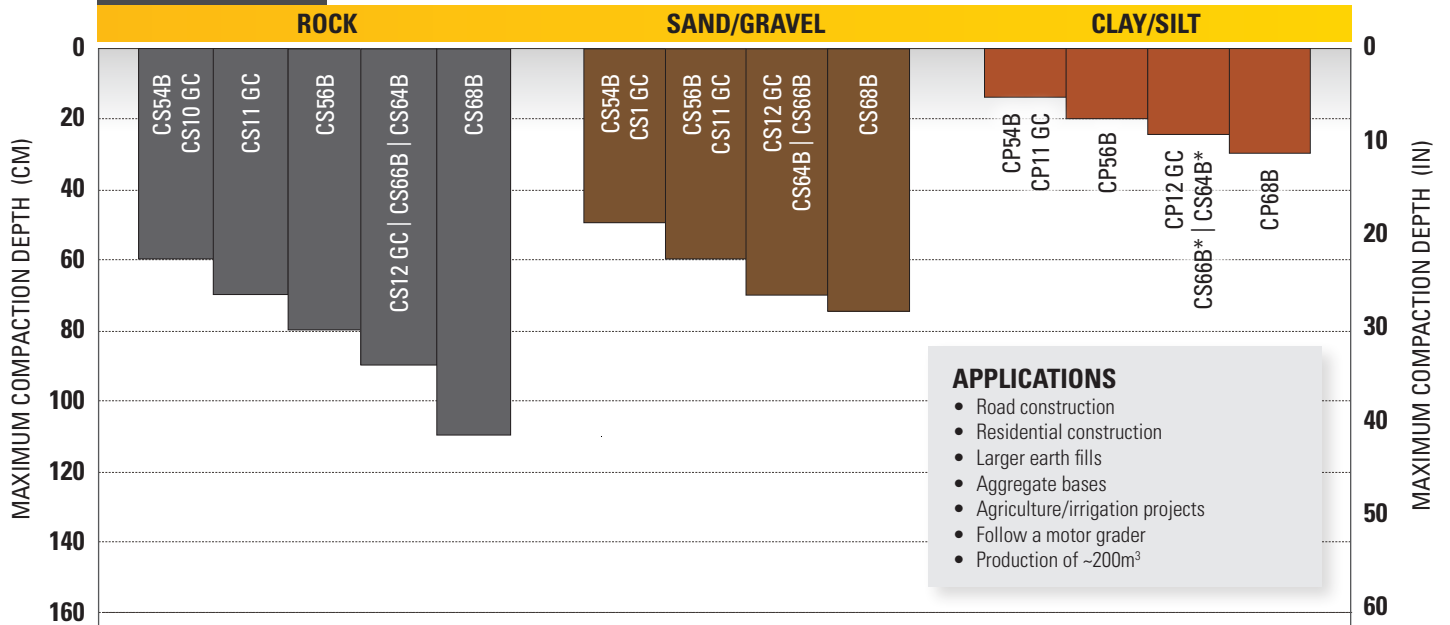
	Standard	Optional		Standard	Optional
<b>OPERATOR ENVIRONMENT</b>			<b>POWER TRAIN</b>		
ROPS/FOPS Cab with Climate Control, External Rear View Mirrors	✓		Cat C4.4 Diesel Engine	✓	
Cloth Adjustable Pivoting Seat with Integrated Console and LCD Display	✓		Air Cleaner, Dual Element	✓	
Adjustable Tilting Steering Column with Integrated Cup Holders	✓		Three-Speed Throttle Switch, Eco-mode and Automatic Speed Control	✓	
Rear Vision Camera with Color Touchscreen Display	✓		Dual Propel Pumps; One for Drum Drive, One for Rear Axle	✓	
High Visibility Orange 50 mm (2 in) Seat Belt	✓		Fuel Filter, Water Separator, Priming Pump, Water Indicator	✓	
12-volt Power Outlet	✓		Tilting Radiator/Hydraulic Oil Cooler	✓	
Horn, Backup Alarm	✓		Dual Braking System	✓	
Internal Rear View Mirror		✓	Two-speed Hydrostatic Transmission	✓	
Sun Visor		✓	Transmission Guard		✓
Cab Internal Roll-down Sun Screen		✓	<b>ELECTRICAL</b>		
High Visibility Orange 76 mm (3 in) Seat Belt		✓	24 volt Electrical System	✓	
<b>VIBRATORY SYSTEM</b>			100 ampere Alternator	✓	
Padfoot Drum	✓		750 Cold-cranking Amps Battery Capacity	✓	
Dual Amplitude, Single Frequency	✓		<b>OTHER</b>		
Dual Pod-Style Eccentric Weight Housings	✓		Product Link™	✓	
Auto-vibe Function	✓		Sight Gauges Hydraulic Oil Level and Radiator Coolant Level	✓	
Dual Adjustable Steel Scrapers	✓		S•O•S <sup>SM</sup> Sampling Valves: Engine Oil, Hydraulic Oil and Coolant	✓	
Leveling Blade		✓	Machine tie downs - front and rear (meet ISO 15818)	✓	
Variable Frequency		✓	Recording Module		✓
<b>TECHNOLOGY SOLUTIONS</b>			Factory Filled Bio Hydraulic Oil		✓
Measure - Machine Drive Power		✓	Upgraded Halogen Light Package		✓
Map - SBAS GNSS Mapping		✓	Upgraded LED Light Package		✓
Connect - Cloud and Machine Connectivity		✓	Amber Rotating Beacon		✓
Command for Compaction		✓	Fuel Fill Access Door		✓

# Cat® CP68B Padfoot Drum Vibratory Soil Compactor

## Vibratory Soil Compactor Selection Guide

10 - 15 T

Assumes density specification is 95% of Standard Proctor and can vary substantially due to different soil conditions.



### APPLICATIONS

- Road construction
- Residential construction
- Larger earth fills
- Aggregate bases
- Agriculture/irrigation projects
- Follow a motor grader
- Production of ~200m<sup>3</sup>

#### Rock

Smooth drum, high amplitude moving to low amplitude when approaching compaction, 4-8 passes

Size: Less than 50 mm (2 in) diameter

#### Sand/Gravel

Smooth drum, high amplitude moving to low amplitude when approaching compaction, 4-6 passes

#### Clay/Silt

Padfoot and smooth drum application (for smoothing), 4-10 passes. Compaction in cohesive soils strongly depends on moisture content.

\* Smooth drum model equipped with padfoot shell kit

# Cat® CP68B Padfoot Drum Vibratory Soil Compactor

## Technical Specifications

Engine - Power Train		
Engine Model	Cat® C4.4	
Emissions	EU Stage V	
Engine Power ISO 14396:2002	117.0 kW	156.9 hp
Gross Power SAE J1995:2014	118.0 kW	158.2 hp
Net Power ISO 9249:2007*	97.4 kW	130.6 hp
Net Power SAE J1349:2011*	96.9 kW	129.9 hp
Displacement	4.4 L	268.5 in <sup>3</sup>
Stroke	127 mm	5 in
Bore	105 mm	4.1 in
Max. Travel Speed (Forward or Reverse)	11.4 km/h	7 mph
Theoretical Gradeability, no vibration**	65%	

Vibratory System Specifications		
Frequency		
Standard	30.5 Hz	1830 vpm
During Eco-mode Operation	27.7 Hz	1664 vpm
Optional Variable Frequency	23.3-30.5 Hz	1400-1830 vpm
Nominal Amplitude @ 30.5 Hz (1830 vpm)		
High	2.1 mm	0.083 in
Low	0.98 mm	0.039 in
Centrifugal Force @ 30.5 Hz (1830 vpm)		
Maximum	301 kN	67,600 lb
Minimum	141 kN	31,670 lb
VM Class at High Amplitude	VM4	

Weights		
Operating Weight w/ ROPS/FOPS cab***	14 755 kg	32,529 lb
w/ Leveling Blade	15 440 kg	34,039 lb
Weight at Drum w/ ROPS/FOPS cab	9228 kg	20,334 lb
w/ Leveling Blade	10 204 kg	22,496 lb

Service Refill Capacities		
Fuel Tank, total capacity	242 L	64 gal
Diesel Exhaust Fuel refill capacity	19 L	5 gal
Cooling System	27.8 L	7.3 gal
Engine Oil w/ Filter	11.6 L	3.1 gal
Eccentric Weight Housings (combined)	26 L	6.9 gal
Axle and Final Drives	18 L	4.8 gal
Hydraulic Tank (service refill)	50 L	13.2 gal

\* Net power advertised is the power available at the engine flywheel when equipped with a fan at maximum speed, air cleaner, clean emissions module, and alternator.

\*\* Actual gradeability may vary based on site conditions and machine configuration. Refer to the Operation and Maintenance Manual for more information.

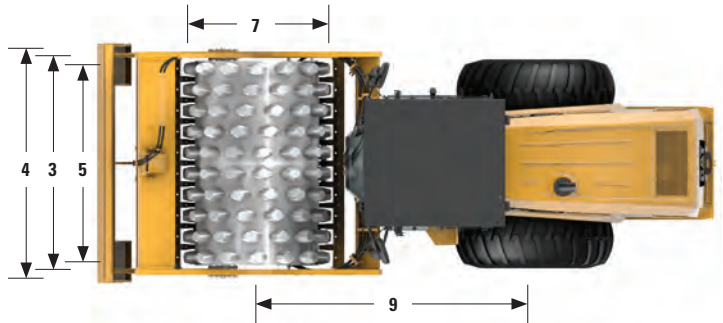
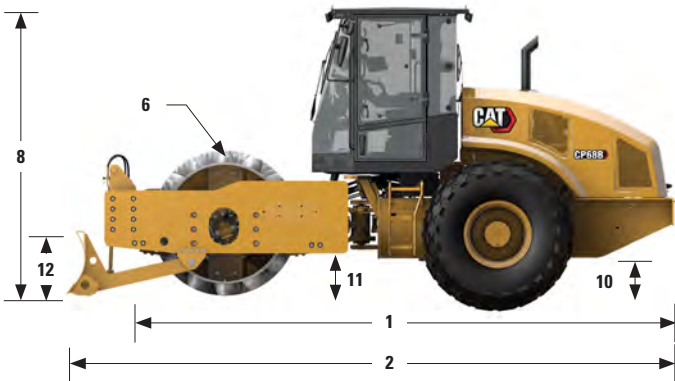
\*\*\* Standard operating weight considers full fuel tank, 75 kg operator, traction tires, oval pad drum, and cab with A/C.

# Cat® CP68B Padfoot Drum Vibratory Soil Compactor

## Technical Specifications

Dimensions			
1	Overall Length	6.1 m	19.9 ft
2	Overall Length w/ optional Leveling Blade	6.6 m	21.5 ft
3	Overall Width	2.3 m	7.7 ft
4	Overall Width w/ optional Leveling Blade	2.5 m	8.2 ft
5	Drum Width	2134 mm	84 in
6	Drum Shell Thickness	25 mm	1.0 in
7	Drum Diameter	1549 mm	61.0 in
8	Overall Height	3.1 m	10.2 ft
9	Wheelbase	2.9 m	9.5 ft
10	Ground Clearance	445 mm	17.5 in
11	Curb Clearance	497 mm	19.6 in
12	Optional Leveling Blade Height	688 mm	27.1 in
	Inside Turning Radius	3.7 m	12.1 ft
	Hitch Articulation Angle	34°	
	Hitch Oscillation Angle	15°	

Padfoot Specifications			
Number of Pads		140	
Pad Height, oval pads		127.0 mm	5.0 in
Pad Face Area, oval pads		74.4 cm <sup>2</sup>	11.5 in <sup>2</sup>
Pad Height, optional square pads		100.0 mm	3.9 in
Pad Face Area, optional square pads		123.1 cm <sup>2</sup>	19.1 in <sup>2</sup>
Number of Chevrons		14	



# Cat® CP68B Padfoot Drum Vibratory Soil Compactor

## Environmental Declaration

The following information applies to the machine at the time of final manufacture as configured for sale in the regions covered in this document. The content of this declaration is valid as of the date issued; however, content related to machine features and specifications are subject to change without notice. For additional information, please see the machine's Operation and Maintenance Manual.

For more information on sustainability in action and our progress, please visit [www.caterpillar.com/en/company/sustainability.html](http://www.caterpillar.com/en/company/sustainability.html).

## ENGINE

- The Cat C4.4 is available in configurations that meet Stage V emissions standards.
- Cat diesel engines are required to use ULSD (ultra-low sulfur diesel fuel with 15 ppm of sulfur or less) or ULSD blended with the following lower-carbon intensity fuels up to:
  - ✓ 20% biodiesel FAME (fatty acid methyl ester)
  - ✓ 100% renewable diesel, HVO (hydrogenated vegetable oil) and GTL (gas-to-liquid) fuels

Refer to guidelines for successful application. Please consult your Cat dealer or "Caterpillar Machine Fluids Recommendations" (SEBU6250) for details.

## AIR CONDITIONING SYSTEM

The air conditioning system on this machine contains the fluorinated greenhouse gas refrigerant R134a (Global Warming Potential = 1430). The system contains 0.8 kg (1.8 lb) of refrigerant, which has a CO<sub>2</sub> equivalent of 1.144 metric tonnes (1.261 tons).

## PAINT

- Based on best available knowledge, the maximum allowable concentration, measured in parts per million (PPM), of the following heavy metals in paint are:
  - Barium < 0.01%
  - Cadmium < 0.01%
  - Chromium < 0.01%
  - Lead < 0.01%

## SOUND PERFORMANCE

With cooling fan speed at maximum value:

---

Exterior Sound Power Level (ISO 6395:2008) – 109 dB(A)

---

With cooling fan speed at 70% of maximum value:

---

Operator Sound Pressure Level (ISO 6396:2008) – 79 dB(A)

---

- When properly installed and maintained, the cab offered by Caterpillar, when tested with doors and windows closed according to ANSI/SAE J1166 OCT98, meets OSHA and MSHA requirements for operator sound exposure limits in effect at time of manufacture.
- Hearing protection may be needed when operating with an open operator station and cab (when not properly maintained or doors/windows open) for extended periods or in a noisy environment.

## OILS AND FLUIDS

- Caterpillar factory fills with ethylene glycol coolants. Cat Diesel Engine Antifreeze/Coolant (DEAC) and Cat Extended Life Coolant (ELC) can be recycled. Consult your Cat dealer for more information.
- Cat BIO HYDO™ Advanced is an EU Ecolabel approved biodegradable hydraulic oil.
- Additional fluids are likely to be present, please consult the Operations and Maintenance Manual or the Application and Installation guide for complete fluid recommendations and maintenance intervals.

## FEATURES AND TECHNOLOGY

- The following features and technology may contribute to fuel savings and/or carbon reduction. Features may vary. Consult your Cat dealer for details.
  - Standard mode limits engine RPM, lowering overall fuel consumption compared to high idle
  - Optional compaction control reduces unnecessary passes, contributing to lower overall fuel consumption
  - Extended maintenance intervals reduce fluid and filter consumption
  - Auto idle shutdown reduces unproductive hours and fuel burned
  - Hydraulic on-demand fan changes speed with temperature

**Cat® CP68B Padfoot Drum Vibratory Soil Compactor**

---

# Cat® CP68B Padfoot Drum Vibratory Soil Compactor

---

For more information on Cat products, dealer services, and industry solutions visit us on the web at [www.cat.com](http://www.cat.com).

© 2022 Caterpillar  
All rights reserved.

Materials and specifications are subject to change without notice. Featured machines in photos may include additional equipment. See your Cat dealer for available options.

CAT, CATERPILLAR, LET'S DO THE WORK, their respective logos, "Caterpillar Corporate Yellow," the "Power Edge" and Cat "Modern Hex" trade dress as well as corporate and product identity used herein, are trademarks of Caterpillar and may not be used without permission.

QEHQ2869-01 (07-2022)  
Europe

