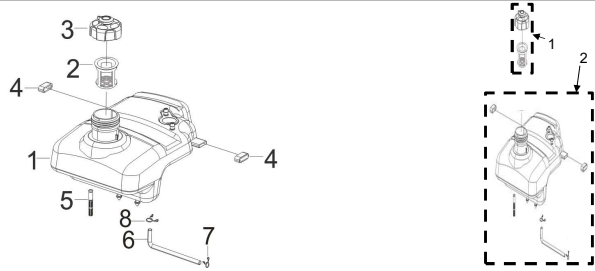


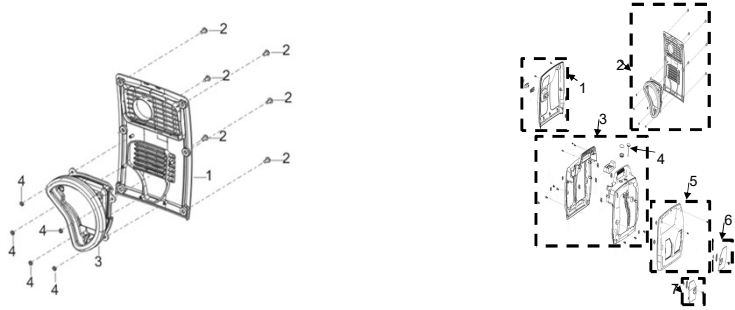
INV2000 - North America

FIG.2 TANK, FUEL (E02)



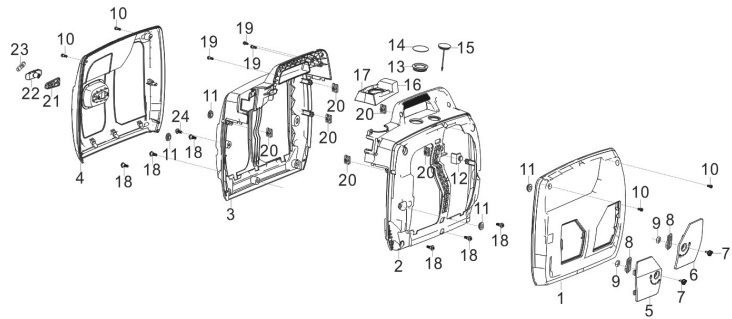
REF.NO.	CAT Part Number	DESCRIPTION	L mm	W mm	H mm	Weight (g)	QTY	CAT Group Part Number	CAT Part Name	Qty	Group Name	L mm	W mm	H mm	Weight (g)
E02-2		FUEL FILTER	90	40	40	15	1	517-9216	CAP GP-FUEL	1	Fuel Cap Group	130	65	65	60
E02-3		COVER, FUEL TANK	65	65	37	45	1								
E02-1		TANK, FUEL	310	235	200		1								
E02-4		BUSH	30	12	12		2								
E02-5		ELEMENT, STRAINER					1	517-9217	TANK GP-FUEL	1	Fuel Tank Group	310	250	240	933
E02-6		TUBE, FUEL					1								
E02-7		COLLAR	20	8	20	1.6	2								
E02-8		COLLAR	20	8	20	1.6	1								

FIG.3 Muffler side cover (E03)



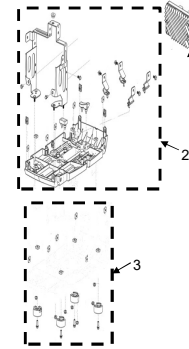
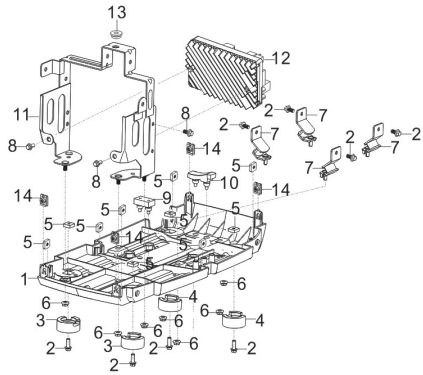
REF.NO.	CAT Part Number	DESCRIPTION	L mm	W mm	H mm	Weight (g)	QTY	CAT Group Part Number	CAT Part Name	Qty	Group Name	L mm	W mm	H mm	Weight (g)
E03-1		COVER, MUFFLER SIDE	280	185	20		1	517-9218	COVER GP-SIDE	1	Muffler Cover Group	285	185	50	411
E03-2		BOLT	21	10	10	4	6								
E03-3		CUSHION, JOINT RUBBER	175	130	42		1								
E03-4		CLIP, SPRING	14	14	1	1	5								

FIG.4 Shell, decorative board (E1 3)



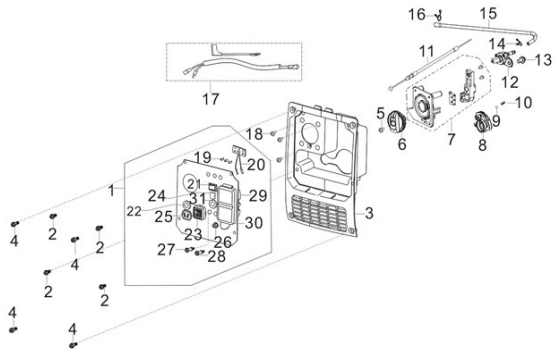
REF.NO.	CAT Part Number	DESCRIPTION	L mm	W mm	H mm	Weigh t (g)	QTY	CAT Group Part Number	CAT Part Name	Qty	Group Name	L mm	W mm	H mm	Weigh t (g)
E04-5		Left cover	145	145	15	55	1								
E04-7		Door knob	25	25	25	3	1	517-9219	DOOR GP-LH	1	Left Door Group	145	145	35	64
E04-8		Stopper	47	18	7	3	1								
E04-9		Spring collar	15	15	5	3	1								
E04-7		Door knob	25	25	25	3	1								
E04-8		Stopper	47	18	7	3	1	517-9220	DOOR GP-RH	1	Right Door Group	145	145	35	64
E04-9		Spring collar	15	15	5	3	1								
E04-6		Right cover	145	145	15	55	1								
E04-1		COVER BOARD, RIGHT	485	385	60	580	1								
E04-10		Bolt	17	10	10	20	2	517-9221	COVER GP-RH	1	Right Cover Group	485	385	60	622
E04-11		SLEEVE, FILLING OIL HOLE RUBBER	25	21	8	2	2								
E04-2		SHELL, RIGHT				700	1								
E04-3		SHELL, LEFT				700	1								
E04-12		JACKET, RUBBER					1								
E04-13		JACKET, RUBBER					1								
E04-14		GUIDE , STARTING ROPE					1								
E04-15	517-9224	COVER-SPARK PLUG	42	42	15	5	1	517-9222	COVER GP-CENTRAL	1	Central Cover Group	500	450	170	1500
E04-16		Panel trim					1								
E04-17		OPENING, OIL LEVERLER VIEW					1								
E04-18		Bolt	17	10	10	20	2								
E04-19		Bolt					3								
E04-20		NUT					6								
E04-24		BOLT					1								
E04-10		Bolt	17	10	10	20	2								
E04-11		SLEEVE, FILLING OIL HOLE RUBBER	25	21	8	2	2								
E04-4		COVER BOARD, LEFT	485	385	60	600	1	517-9223	COVER GP-LH	1	Left Cover Group	485	385	60	682
E04-21		Recoil guide plate	85	26	5	15	1								
E04-22		Recoil handle	73	22	31	15	1								
E04-23		Recoil core	20	16	16	10	1								

FIG.5 Base plate, inverter, inverter mounting frame (E14)



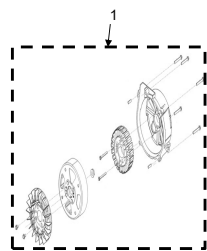
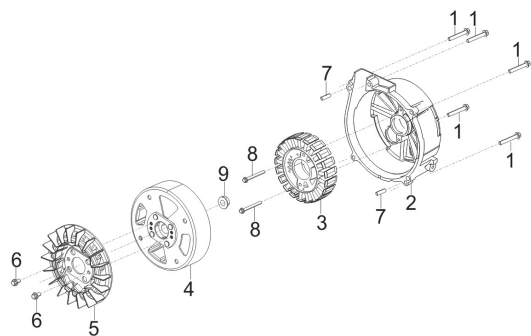
REF.NO.	CAT Part Number	DESCRIPTION	L mm	W mm	H mm	Weight (g)	QTY	CAT Group Part Number	CAT Part Name	Qty	Group Name	L mm	W mm	H mm	Weight (g)
E14-1		PLATE, BOTTOM					1								
E14-7		CUSHION, ENGINE FRAME					4								
E14-8		BOLT					3								
E14-9		BRACKET, CUSHION RUBBER					1	517-9227	FRAME GP-ENGINE	1	Frame Group	470	265	260	1970
E14-10		BRACKET, CUSHION RUBBER					1								
E14-11		ASSEMBLING FRAME, INVERTER					1								
E14-13		SLEEVE, FUEL TANK RUBBER					1								
E14-14		NUT					4								
E14-2		BOLT					8								
E14-3		SEAT,FRAME					2								
E14-4		SEAT,FRAME					2	517-9225	SUPPORT GP-FRAME	1	Frame Support Group	10	45	45	96
E14-5		NUT					10								
E14-6		NUT					8								
E14-12	517-9226	INVERTER	185	110	100	1317	1								

FIG.6 Control panel components, panel base (F05)



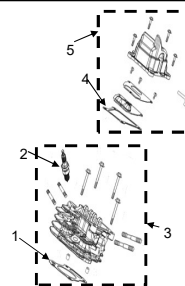
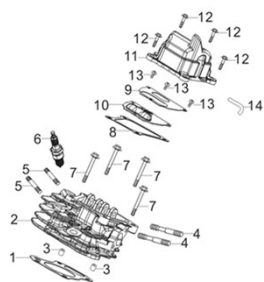
REF.NO.	CAT Part Number	DESCRIPTION	L mm	W mm	H mm	Weigh t (g)	QTY	CAT Group Part Number	CAT Part Name	Qty	Group Name	L mm	W mm	H mm	Weigh t (g)
F05-1		GFCI CONTROL PANEL					1								
F05-2		SCREW, CROSS GROOVE PAN	18	8	8	2	4	517-9229	PANEL GP-CONTROL (BASIC)	1	Control Panel Group	275	190	70	720
F05-3		SEAT, PANEL				1									
F05-4		Bolt	21	10	10	4									
F05-18		SCREW, CROSS GROOVE PAN				3									
F05-5		SCREW					1	517-9230	SWITCH GP	1	Generator Switch Group	80	70	60	142
F05-6		KNOB				1									
F05-7		Switch Assembly				1									
F05-8		Cover plate				1									
F05-9		BALL, STEEL				1									
F05-10		SPRING, STOPPER ADJUSTING				1									
F05-11		HANDLE SUBASSEMBLY, CHOKE				1									
F05-12		COCK ASSY, FUEL				1									
F05-13		BOLT				1									
F05-14		COLLAR	20	8	20	1.6	1								
F05-15		TUBE, FUEL					1	517-9231	LINES GP-FUEL	1	Fuel Line Group	210	40	20	23
F05-16		COLLAR					1								
F05-17	517-9228	HARNESS-CONTROL PANEL	100	50	50	50	1								
F05-19		Indicator seat					3	530-1201	LIGHT AS	1	Indicator Light Assembly	75	30	20	25
F05-20		Indicator assy					1								
F05-21		ESC SWITCH SUBASSEMBLY					1								
F05-22	501-5361	PROTECTOR, OVERCURRENT	29	15	47	13	1								
F05-23	530-1194	SOCKET SUBASSEMBLY, POWER SUPPLY	60	30	35	18	1								
F05-24		BRIDGE, RECTIFICATION					1								
F05-25	530-1197	SOCKET SUBASSEMBLY, D.C	26	20	23	20	1								
F05-26	530-1193	GROUNDING TERMINAL COMBINATION	25	10	10	15	1								
F05-27		PARALLEL SOCKET, POWER SUPPLY					1								
F05-28		PARALLEL SOCKET, POWER SUPPLY					1								
F05-29	501-5371	GFCI SOCKET	92	41	39	91	1								
F05-30	501-5372	RAIN COVER	94	47	18	19.5	1								
F05-31	530-1196	PROTECTOR, OVERCURRENT	35	18	45	25	1								

FIG.7 ROTOR/STATOR (F06)



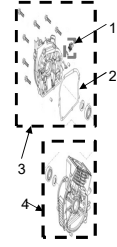
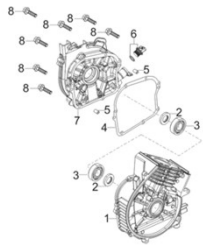
REF.NO.	CAT Part Number	DESCRIPTION	L mm	W mm	H mm	Weight (g)	QTY	CAT Group Part Number	CAT Part Name	Qty	Group Name	L mm	W mm	H mm	Weight (g)
F06-1		BOLT					5								
F06-2		SHROUD, MOTOR					1								
F06-3		STATOR COMP.					1								
F06-4		ROTOR COMP.					1								
F06-5		IMPELLER					1	517-9232	ALTERNATOR GP	1	ALTERNATOR	250	200	110	3835
F06-6		BOLT					2								
F06-7		PIN					2								
F06-8		BOLT					2								
F06-9		NUT					1								

FIG.8 HEAD SUBASSEMBLY, CYLINDER / PLUG, SPARK (E04)



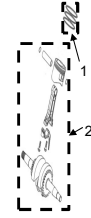
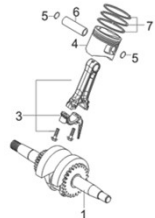
REF.NO.	CAT Part Number	DESCRIPTION	L mm	W mm	H mm	Weight (g)	QTY	CAT Group Part Number	CAT Part Name	Qty	Group Name	L mm	W mm	H mm	Weight (g)
E04-1	517-9233	GASKET, CYLINDER HEAD	86	80	1	5	1								
E04-2		HEAD SUBASSEMBLY, CYLINDER					1								
E04-3		PIN					2								
E04-4		STUD					2	517-9236	HEAD GP-CYLINDER (BASIC)	1	Cylinder Head Group	140	100	70	611
E04-5		STUD					2								
E04-6	517-9234	PLUG, SPARK	68	18	18	30	1								
E04-7		BOLT, CYLINDER HEAD					4								
E04-8	517-9235	GASKET, CYLINDER HEAD COVER	100	72	3	2	1								
E04-9		PIECE, BREATH					1								
E04-10		GASKET, BREATH GROOVE					1								
E04-11		COVER SUBASSEMBLY, CYLINDER HEAD					1	517-9237	COVER GP-CYLINDER HEAD	1	Cylinder Head Cover Group	115	70	65	183
E04-12		BOLT					4								
E04-13		SCREW					3								
E04-14		TUBE, BREATHER					1								

FIG.9 CRANKCASE./COVER SUBASSEMBLY, CRANKCASE (E05)



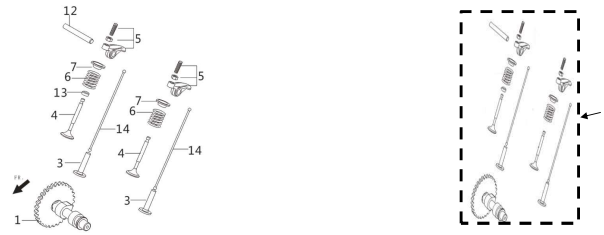
REF.NO.	CAT Part Number	DESCRIPTION	L mm	W mm	H mm	Weight (g)	QTY	CAT Group Part Number	CAT Part Name	Qty	Group Name	L mm	W mm	H mm	Weight (g)
E05-1		CRANKCASE SUBASSEMBLY.					1								
E05-2		OIL-SEAL					2	517-9240	CRANKCASE GP	1	Crankcase Group	230	225	120	2054
E05-3		BEARING					2								
E05-4	517-9238	GASKET, CRANKCASE	160	170	1	1	1								
E05-5		PIN					2								
E05-6	517-9239	PLUG SUBASSEMBLY, ENGINE OIL	27	27	67	7	1	517-9241	COVER GP-REAR	1	Crankcase Cover Group	280	215	40	887
E05-7		COVER, CRANKCASE					1								
E05-8		BOLT					7								

FIG.10 RING SET,OIL / ROD,CRANKSHAFT CONNETING (E06)



REF.NO.	CAT Part Number	DESCRIPTION	L mm	W mm	H mm	Weight (g)	QTY	CAT Group Part Number	CAT Part Name	Qty	Group Name	L mm	W mm	H mm	Weight (g)
E06-1		CRANKSHAFT ASSY.					1								
E06-3		ROD, CONNECTING					1								
E06-4		PISTON					1	517-9243	CRANKSHAFT GP	1	Crankshaft Group	240	70	70	1122
E06-5		CLIP, PISTON PIN					2								
E06-6		PIN, PISTON					1								
E06-7	517-9242	RING ASSY, PISTON	51	51	9	10	1								

FIG.11 TRAIN,VALVE / CAMSHAFT SUBASSEMBLY (E07)



REF.NO.	CAT Part Number	DESCRIPTION	L mm	W mm	H mm	Weight (g)	QTY	CAT Group Part Number	CAT Part Name	Qty	Group Name	L mm	W mm	H mm	Weight (g)
E07-1		CAMSHAFT ASSY.				251	1	522-2702	CAMSHAFT GP	1	Camshaft Group	73	73	110	376
E07-3		TAPPET, VALVE				125	2								
E07-4		VALVE SET				1	1								
E07-5		ROCKER SUBASSEMBLY, VALVE				2	2								
E07-6		SPRING, VALVE				2	2								
E07-7		SEAT, VALVE SPRING				2	2								
E07-12		SHAFT, VALVE ROCKER				1	1								
E07-13		GUIDE, SEAL				1	1								
E07-14		LIFTER, VALVE				2	2								

FIG.12 STARTER,RECOIL (E08)



REF.NO.	CAT Part Number	DESCRIPTION	L mm	W mm	H mm	Weight (g)	QTY	CAT Group Part Number	CAT Part Name	Qty	Group Name	L mm	W mm	H mm	Weight (g)
E08-1		STARTER ASSY, RECOIL					1	522-2703	PULLEY GP-CSHAFT	1	Recoil Starter Group	300	215	100	56
E08-2		BOLT				3	3								
E08-3		BOLT				4	4								
E08-4		SHROUD				1	1								
E08-6		STRIP, SHROUD SEAL				1	1								
E08-8		AIR DEFLECTOR, CYLINDER HEAD				1	1								
E08-9		LIMIT CARD				1	1								
E08-10		NUT				1	1								

FIG.13 CARBURETOR ASSY. (E11)



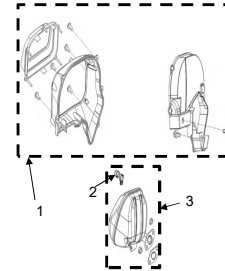
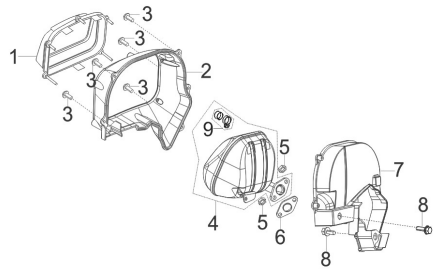
REF.NO.	CAT Part Number	DESCRIPTION	L mm	W mm	H mm	Weight (g)	QTY	CAT Group Part Number	CAT Part Name	Qty	Group Name	L mm	W mm	H mm	Weight (g)
E11-1		GASKET, CARBURETOR					1								
E11-2		PLATE, CARBURETOR INSULATOR					1	522-2705	GASKET GP	1	Carburetor Gasket Group	60	50	13	13
E11-3		GASKET, CARBURETOR INSULATOR					1								
E11-4		CARBURETOR ASSY.					1								
E11-5	522-2704	FUEL FILTER	20	5	5	1	1	522-2706	CARBURETOR GP (BASIC)	1	Carburetor Group	145	95	85	370
E11-6		CAP					1								
E11-7		TUBE, FUEL					1								
E11-8	501-5456	HIGH ALTITUDE KIT 1(3000-6000ft)					1								
	501-5457	HIGH ALTITUDE KIT 2(6000-8000ft)					1								

FIG.14 CLEANER, AIR (F02)



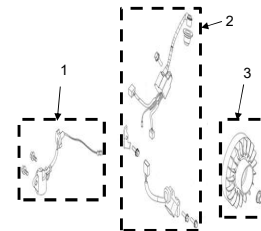
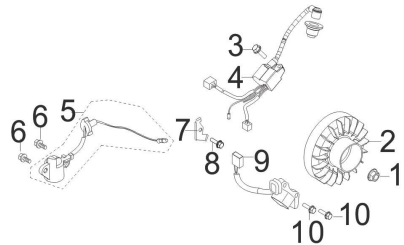
REF.NO.	CAT Part Number	DESCRIPTION	L mm	W mm	H mm	Weight (g)	QTY	CAT Group Part Number	CAT Part Name	Qty	Group Name	L mm	W mm	H mm	Weight (g)
F02-2	522-2707	GASKET, AIR CLEANER	60	45	2	3	1								
F02-3		DUCT, AIR CLEANER INTAKE					1								
F02-4		NUT					2	530-1182	HOUSING GP-FILTER	1	Air Filter Group	150	120	75	264
F02-1		CLEANER, AIR					1								
F02-5		BOLT					1								
F02-6		BOLT					1								
F02-7		ELEMENT, AIR CLEANER					1	530-1181	ELEMENT GP	1	Air Filter	125	105	20	6
F02-8		RING, SEAL					1								

FIG.15 MUFFLER ASSY. (F04)



REF.NO.	CAT Part Number	DESCRIPTION	L mm	W mm	H mm	Weight (g)	QTY	CAT Group Part Number	CAT Part Name	Qty	Group Name	L mm	W mm	H mm	Weight (g)
F04-1		COVER, MUFFLER SIDE					1								
F04-2		SHROUD, MUFFLER					1								
F04-3		SCREW, CROSS GROOVE PAN					5	530-1184	INSULATION GP-MUFFLER	1	Muffler Insulation Group	240	230	160	474
F04-7		MUFFLER SHIELD					1								
F04-8		BOLT					2								
F04-4		MUFFLER ASSY.					1								
F04-5		NUT					2	530-1185	MUFFLER GP	1	Muffler Group	140	160	130	1206
F04-6		GASKET, EXHAUST OUTLET					1								
F04-9	530-1183	COLLECTOR, SPARK	50	30	30	50	1								

FIG.16 FLYWHEEL / IMPELLER / STARTER PULLEY / IGNITION COIL (E15)



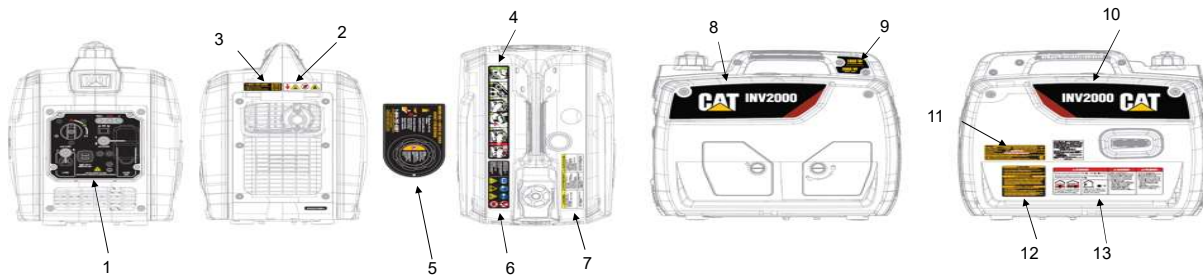
REF.NO.	CAT Part Number	DESCRIPTION	L mm	W mm	H mm	Weight (g)	QTY	CAT Group Part Number	CAT Part Name	Qty	Group Name	L mm	W mm	H mm	Weight (g)
E15-1		NUT, FLYWHEEL					1		FLYWHEEL GP	1	Flywheel Group	150	150	70	1031
E15-2		FLYWHEEL SUBASSEMBLY					1	530-1186							
E15-3		BOLT					1								
E15-4		IGNITOR				143	1								
E15-7		CLAMP					1	530-1187	COIL GP-IGNITION	1	Ignition Coil Group	300	90	50	200
E15-8		BOLT					1								
E15-9		COIL, IGNITION					1								
E15-10		BOLT					2								
E15-5		SENSOR, ENGINE OIL					1	530-1188	SENSOR GP-LEVEL	1	Oil Level Sensor Group	70	50	45	50
E15-6		BOLT					2								

FIG.17 Tool Kit



REF.NO.	CAT Part Number	DESCRIPTION	L mm	W mm	H mm	Weight (g)	QTY	CAT Group Part Number	CAT Part Name	Qty	Group Name	L mm	W mm	H mm	Weight (g)
E15-1		2-PIECE SPARK PLUG WRENCH					1								
E15-2		TOOL KIT BAG					1	501-5449	TOOL GP	1	Tool kit	230	120	40	300
E15-3		SCREW-DRIVER PHILLIPS HEAD					1								
E15-4		OIL FILL FUNNEL 1					1								
		OIL FILL FUNNEL 2					1	589-6141	FILLER GP-OIL	1	Oil Fill Funnel				
		OIL FILL FUNNEL 3					1								
E15-5	589-6253	CABLE, CHARGE					1								

FIG.18 North American Decals



REF.NO.	CAT Part Number	DESCRIPTION	L mm	W mm	H mm	Weight (g)	QTY	CAT Group Part Number	CAT Part Name	Qty	Group Name	L mm	W mm	H mm	Weight (g)
1		control panel info													
3		rear info help number													
4		top info qsg						530-1190	FILM GP (INFORMATION)	1	Information Films	250	150	2	3
9		left side info rating													
11		right side ratings decal													
5		top info fuel guide & safety fuel guide													
5		top info fuel guide & safety fuel guide													
2		rear safety						530-1189	FILM GP (SAFETY)	1	Safety Films	200	120	2	3
6		top safety decals													
7		top safety written													
12		right side safety written													
13		right side safety warnings													
8		left side brand label						530-1191	FILM GP (BRAND)	1	Brand Films	320	120	1	2
10		right side brand label													