

Cat® C175-20

Diesel Generator Sets



Image shown may not reflect actual configuration

Bore – mm (in)	175 (6.89)
Stroke – mm (in)	220 (8.66)
Displacement – L (in ³)	105.8 (6456)
Compression Ratio	15.3:1
Aspiration	TA
Fuel System	Common Rail
Governor Type	ADEM™ A4

Standby 60 Hz kW (kVA)	Mission Critical 60 Hz kW (kVA)	Prime 60 Hz kW (kVA)	Emissions Performance
3620 (4525)	3620 (4525)	3300 (4125)	U.S. EPA Certified for Emergency Stationary Applications (Tier 2)

Features

Cat® Diesel Engine

- Meets U.S. EPA Stationary Emergency Use Only (Tier 2) emission standards
- Reliable performance proven in thousands of applications worldwide
- Certified alternative fuels including Hydrotreated Vegetable Oil (HVO), Renewable Diesel (RD) and Hydrotreated Renewable Diesel (HRD) which meet EN 15940 or ASTM D975 can be used or blended with EN 590 diesel

Generator Set Package

- Accepts 100% block load in one step
- Meets NFPA 110 loading requirements
- Conforms to ISO 8528-5 G3 load acceptance requirements
- Reliability verified through torsional vibration, fuel consumption, oil consumption, transient performance, and endurance testing

Alternators

- Superior motor starting capability minimizes need for oversizing generator
- Designed to match performance and output characteristics of Cat diesel engines

Cat Energy Control System (ECS)

- User-friendly interface and navigation
- Scalable system to meet a wide range of installation requirements
- Expansion modules and site specific programming for specific customer requirements
- Graphical touchscreen display
- Easily upgradeable

Warranty

- 24 months/1000-hour warranty for standby and mission critical ratings
- 12 months/unlimited hour warranty for prime and continuous ratings
- Extended service protection is available to provide extended coverage options

Worldwide Product Support

- Cat dealers have over 1,800 dealer branch stores operating in 200 countries
- Your local Cat dealer provides extensive post-sale support, including maintenance and repair agreements

Financing

- Caterpillar offers an array of financial products to help you succeed through financial service excellence
- Options include loans, finance lease, operating lease, working capital, and revolving line of credit
- Contact your local Cat dealer for availability in your region

Standard and Optional Equipment

Engine

Air Cleaner

- Single element

Muffler

- Industrial grade (15 dB)
- Residential grade (25 dB)
- Critical grade (35 dB)

Starting

- Standard batteries
- Oversized batteries
- Standard electric starter(s)
- Heavy duty electric starter(s)
- Dual electric starter(s)
- Air starter(s)
- Jacket water heater

Alternator

Output voltage

- 416V 6600V
- 480V 6900V
- 600V 12470V
- 4160V 13200V
- 6300V 13800V

Temperature Rise (over 40°C ambient)

- 125°C/130°C
- 120°C
- 105°C
- 80°C

Winding type

- Form wound

Excitation

- Permanent magnet (PM)

Attachments

- Anti-condensation heater
- Stator and bearing temperature monitoring and protection

Power Termination

Type

- Bus bar
- Circuit breaker
- 4000A 5000A
- 6000A
- UL IEC
- 3-pole 4-pole
- Electrically operated

Trip Unit

- LSI LSI-G
- LSIG-P

Control System

Controller

- Cat ECS 100
- Cat ECS 200
- EMCP 4.4

Attachments

- Local annunciator module
- Remote annunciator module
- Expansion I/O module
- Remote monitoring software

Charging

- Battery charger – 20A
- Battery charger – 35A
- Battery charger – 50A

Vibration Isolators

- Rubber
- Spring
- Seismic rated

Cat Connect

Connectivity

- Ethernet
- Cellular

Extended Service Options

Terms

- 2 year (prime)
- 3 year
- 5 year
- 10 year

Coverage

- Silver
- Gold
- Platinum
- Platinum Plus

Ancillary Equipment

- Automatic transfer switch (ATS)
- Paralleling switchgear
- Paralleling controls

Certifications

- ULC 2200 Listed
- IBC seismic certification
- OSHPD pre-approval

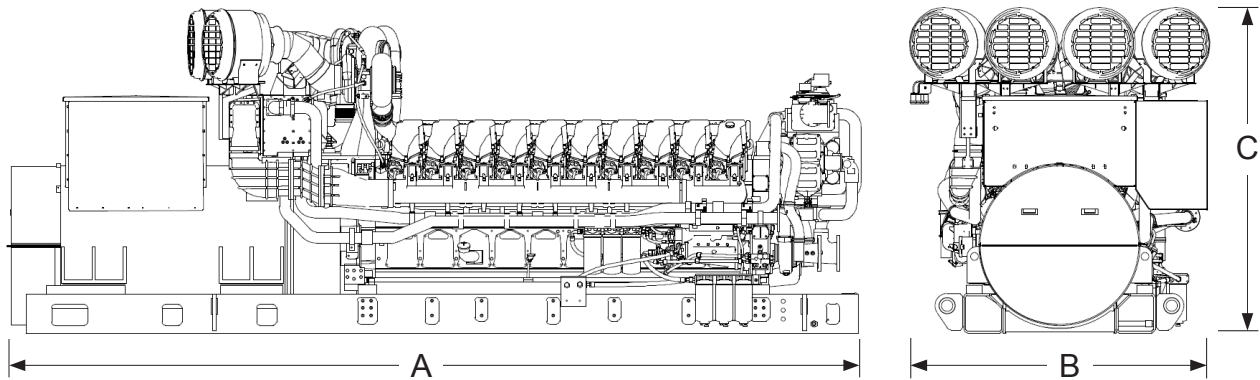
Note: Some options may not be available on all models. Certifications may not be available with all model configurations. Consult factory for availability.

Package Performance

Performance	Standby	Mission Critical	Prime
Frequency	60 Hz	60 Hz	60 Hz
Gen set power rating without fan	3620 ekW	3620 ekW	3300 ekW
Gen set power rating without fan @ 0.8 power factor	4525 kVA	4525 kVA	4125 kVA
Emissions	EPA ESE (Tier 2)	EPA ESE (Tier 2)	EPA ESE (Tier 2)
Performance number	EM5748-01	EM5750-01	EM5753-01
Fuel Consumption			
100% load without fan – L/hr (gal/hr)	914.2 (241.5)	914.2 (241.5)	833.9 (220.3)
75% load without fan – L/hr (gal/hr)	701.9 (185.4)	701.9 (185.4)	663.9 (175.4)
50% load without fan – L/hr (gal/hr)	544.5 (143.8)	544.5 (143.8)	499.3 (131.9)
25% load without fan – L/hr (gal/hr)	314.2 (83.0)	314.2 (83.0)	288.3 (76.2)
Cooling System			
Engine coolant capacity – L (gal)	440.0 (116.2)	440.0 (116.2)	440.0 (116.2)
Inlet Air			
Combustion air inlet flow rate – m ³ /min (cfm)	311.7 (11005.8)	311.7 (11005.8)	291.6 (10297.3)
Exhaust System			
Exhaust stack gas temperature – °C (°F)	461.5 (862.8)	461.5 (862.8)	455.2 (851.4)
Exhaust gas flow rate – m ³ /min (cfm)	790.0 (27896.3)	790.0 (27896.3)	729.4 (25755.6)
Exhaust system backpressure (maximum allowable) – kPa (in. water)	6.7 (27.0)	6.7 (27.0)	6.7 (27.0)
Heat Rejection			
Heat rejection to jacket water – kW (Btu/min)	1884 (107122)	1884 (107122)	1676 (95326)
Heat rejection to exhaust (total) – kW (Btu/min)	3476 (197692)	3476 (197692)	3186 (181167)
Heat rejection to aftercooler – kW (Btu/min)	374 (21255)	374 (21255)	288 (16390)
Heat rejection to atmosphere from engine – kW (Btu/min)	197 (11211)	197 (11211)	189 (10734)
Heat rejection from alternator – kW (Btu/min)	199 (11294)	199 (11294)	181 (10293)
Emissions* (Nominal)			
NOx mg/Nm ³ (g/hp-h)	2943.5 (6.03)	2943.5 (6.03)	2729.6 (5.70)
CO mg/Nm ³ (g/hp-h)	142.1 (0.35)	142.1 (0.35)	185.5 (0.44)
HC mg/Nm ³ (g/hp-h)	16.2 (0.04)	16.2 (0.04)	17.0 (0.05)
PM mg/Nm ³ (g/hp-h)	15.5 (0.04)	15.5 (0.04)	16.7 (0.04)
Emissions* (Potential Site Variation)			
NOx mg/Nm ³ (g/hp-h)	3532.5 (7.23)	3532.5 (7.23)	3275.5 (6.84)
CO mg/Nm ³ (g/hp-h)	255.7 (0.63)	255.7 (0.63)	334.0 (0.79)
HC mg/Nm ³ (g/hp-h)	21.5 (0.06)	21.5 (0.06)	22.5 (0.06)
PM mg/Nm ³ (g/hp-h)	21.7 (0.06)	21.7 (0.06)	23.5 (0.06)

*mg/Nm³ levels are corrected to 5% O₂. Contact your local Cat dealer for further information.

Weights and Dimensions



Dim "A" mm (in)	Dim "B" mm (in)	Dim "C" mm (in)	Dry Weight kg (lb)
6673 (262.7)	2336 (92.0)	2536 (99.8)	25 000 (55,100)

Note: For reference only. Do not use for installation design. Contact your local Cat dealer for precise weights and dimensions.

Ratings Definitions

Standby

Output available with varying load for the duration of the interruption of the normal source power. Average power output is 70% of the standby rated kW. Typical operation is 200 hours per year, with maximum expected usage of 500 hours per year.

Mission Critical

Output available with varying load for the duration of the interruption of the normal source power. Average power output is 85% of the mission critical rated kW. Typical peak demand up to 100% of rated kW for up to 5% of the operating time. Typical operation is 200 hours per year, with maximum expected usage of 500 hours per year.

Prime

Output available with varying load for an unlimited time. Average power output is 70% of the prime rated kW. Typical peak demand is 100% of prime rated kW with 10% overload capability for emergency use for a maximum of 1 hour in 12. Overload operation cannot exceed 25 hours per year.

Applicable Codes and Standards

AS 1359, ULC 2200 3rd edition, UL 489, UL 869A, IBC, IEC 60034-1, ISO 3046, ISO 8528, NEMA MG1-22, NEMA MG1-33, 2014/35/EU, 2006/42/EC, 2014/30/EU and facilitates compliance to NFPA 37, NFPA 70, NFPA 99, NFPA 110.

Note: Codes may not be available in all model configurations. Please consult your local Cat dealer for availability.

Data Center Applications

- All ratings Tier III/Tier IV compliant per Uptime Institute requirements.
- All ratings ANSI/TIA-942 compliant for Rated-1 through Rated-4 data centers.

Fuel Rates

Fuel consumption reported in accordance with ISO 3046-1, based on fuel oil of 35° API [16°C (60°F)] gravity having an LHV of 42,780 kJ/kg (18,390 Btu/lb) when used at 15°C (59°F) and weighing 850 g/liter (7.0936 lbs/U.S. gal.) All fuel consumption values refer to rated engine power.

www.cat.com/electricpower

©2023 Caterpillar

All rights reserved.

Materials and specifications are subject to change without notice. The International System of Units (SI) is used in this publication.

CAT, CATERPILLAR, LET'S DO THE WORK, their respective logos, "Caterpillar Corporate Yellow", the "Power Edge" and Cat "Modern Hex" trade dress as well as corporate and product identity used herein, are trademarks of Caterpillar and may not be used without permission.