



UPGRADES AND ACCESSORIES KIT GUIDE

FOR BACKHOE LOADERS – SIDE SHIFT

Model (Serial Number Prefix):

426 (JZ2/JZ4), 428 (H7D/L7D), 432 (H7E/L7E), 434 (H7K/L7K), 444 (H7M/L7M)

**422F2 (LYF), 426F2 (EJ2/EJ4), 427F2 (HWK), 428F2 (HWN/LYG),
432F2 (HWP/LYJ), 434F2 (HWR/LYK), 444F2 (HWS/LYL)**

428F (LBH/RAK), 432F (LNR/PXR), 434F (LDH/MTR), 444F (JXR/LJJ)



Upgrades/Accessory.....Page Number

COMFORT AND CONVENIENCE.....3-7

Arm Rest..... 3
Ride Control..... 4
Ride Control (F/F2)..... 4
Cell Phone Holder – In Cab 5
Street Pads..... 5
Tool Kit 6
Studs and Spacer for Snow Chains..... 7
Touch Screen, 203 mm (8 in) 7

EMISSIONS AND REGULATIONS.....8-12

Hoe Object Handling Check Valves 8
Loader Check Valves..... 9
Rear Window Replacement..... 9
License Plate 10
Roading Lights 10
Transport Locks Hoe and Loader 11
Hoe Linkage Transport Lock..... 11
Loader Linkage Transport Lock 11
Bucket Guard..... 12
Front Loader Bucket Guard 12
Roading Bracket, Equal Size Tires (EST)..... 12

ENHANCEMENTS AND VISIBILITY 13

Work Lights, LED Spot..... 13
Work Lights, LED Wide..... 13

Guarding.....14-16

All Wheel Drive (AWD) Driveshaft Guard 14
Front Fenders..... 14
Front Fenders, Equal Size Tires..... 15
Heat Shield..... 15
Rear Light Guards 16

Upgrades/Accessory.....Page Number

PERFORMANCE AND PRODUCTIVITY17-29

Additional 8th Function Kit –
Pilot/ElectroHydraulic (EH) Hoe 17
Additional 8th Function Kit – Mechanical Hoe 17
Autoshift Conversion 18
Auto-Up Stabilizer Control..... 18
Heavy Duty Battery 19
E-Stick One-Way Auxiliary Lines..... 20
E-Stick Two-Way Auxiliary Lines 21
Hammer Pedal 22
E-Stick Two-Way Upgrade Auxiliary Lines 22
Standard Stick Auxiliary Lines..... 23
Street Pads for Multi-Purpose Bucket..... 23
Hydraulic Hand Tool Circuit..... 24
Hydraulic Hoe Coupler Lines..... 24
Loader Quick Coupler, Parallel Lift,
Equal Size Tires..... 25
Loader Quick Coupler, Parallel Lift,
Non Equal Size Tires 25
Mechanical Hoe Controls (Backhoe) 26
Mechanical Hoe Controls (Excavator) 26
Powered Side Shift..... 27
Quick Disconnect (Hoe) 27
Quick Disconnect (Loader)..... 28
Spare Bucket Pins 28
Spare Narrow Stick Bucket Pins 29

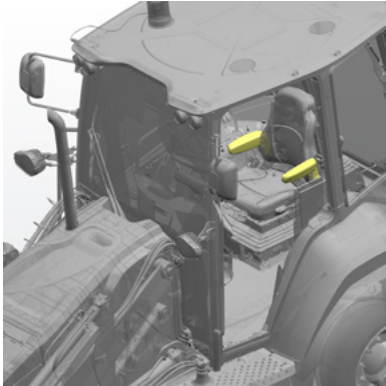
Security 29

Security Pin-On Display 29
Bluetooth Security Key 30
Push to Start 30

COMFORT AND CONVENIENCE

Arm Rest

This kit provides a list of all parts needed to fit two arm rests to a basic mechanical suspension seat.



Model	Serial Number Prefix	Part Number	Estimated Install Time
428, 434	L7D, L7K	527-3123*	1.0 Hour
426	JZ2, JZ4		
426F2, 428F2, 434F2	EJ2, EJ4, LYG, LYK		

*The part number is for reference only. Please see your Cat dealer for the complete list of required parts.

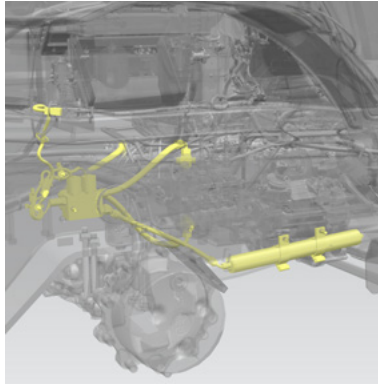
Ride Control

Improves ride during travel by providing a suspension system in the loader lift arm circuit. Recommended in applications where improved ride or material retention is desired such as roading or load and carry.

563-6245

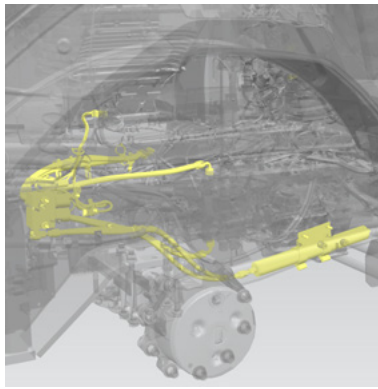


577-5607/577-8610



577-5607/577-8610

(577-5607 only)



Model	Serial Number Prefix	Part Number	Estimated Install Time
428, 432, 434, 444	H7D, L7D, H7E, L7E, H7K, L7K, L7M, H7M	577-5607**	Recommended Dealer Install
428, 434	H7D, L7D, H7K, L7K	577-8610*	4.0 Hours
426, 426F2	EJ2, EJ4, JZ2, JZ4	563-6245*	Recommended Dealer Install

Ride Control (F/F2)

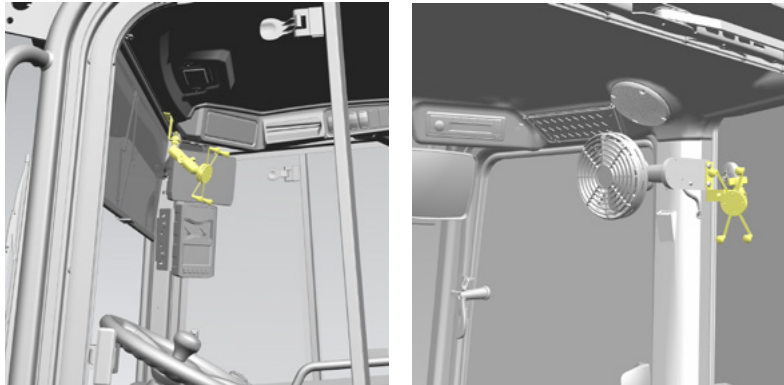
Model	Serial Number Prefix	Part Number	Estimated Install Time
427F2, 428F2, 434F2, 428F, 434F	HWK, HWN, HWR LYG, LYK, RAK, MTR, LBH, LDH	387-6450*	4.0 Hours
428F2, 432F2, 434F2, 444F2	HWN, HWP, HWR, HWS, LYG, LYJ, LYK, LYL	387-6451**	Recommended Dealer Install
432F, 444F	PXR, JXR, LNR, LJJ		

*This kit is for use on Mechanical controlled machines.

**This kit is for use on Pilot or Electro-Hydraulic (EH) controlled machines and has software enabled features that must be activated by a Cat dealer.

Cell Phone Holder – In Cab

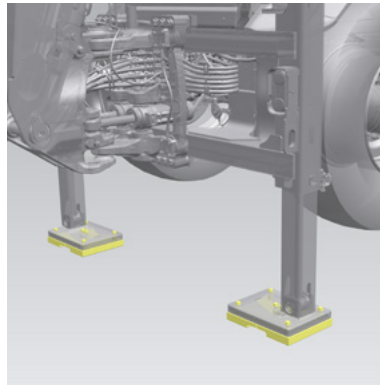
The spring-loaded phone holder features an 'X' design that expands and contracts to provide a perfect fit for your device. Holder is made of powder-coated, marine-grade aluminum, stainless steel components, and high-strength composite for durability.



Model	Serial Number Prefix	Part Number	Estimated Install Time
426, 428, 432, 434, 444	H7D, H7E, H7K, H7M, L7D, L7E, L7K, L7M, JZ2, JZ4	625-7599	0.5 Hours
426F2, 428F2, 432F2, 434F2, 444F2	EJ2, EJ4, HWN, HWP, HWR, HWS, LYG, LYJ, LYK, LYL		

Street Pads

This Paper kit provides a list of individual service parts to fit two rubber street pads for Backhoe Loader Side-Shift machines.



Model	Serial Number Prefix	Part Number	Estimated Install Time
428, 432, 434, 444	H7D, L7D, H7E, L7E, H7K, L7K, H7M, L7M	457-0317	0.5 Hours
426	JZ2, JZ4		
422F2, 426F2, 427F2, 428F2, 432F2, 434F2, 444F2	LYF, EJ2, EJ4, HWK, HWN, LYG, HWP, LYJ, HWR, LYK, HWS, LYL		
428F, 432F, 434F, 444F	LBH, RAK, LNR, PXR, LDH, MTR, JXR, LJJ		

Tool Kit

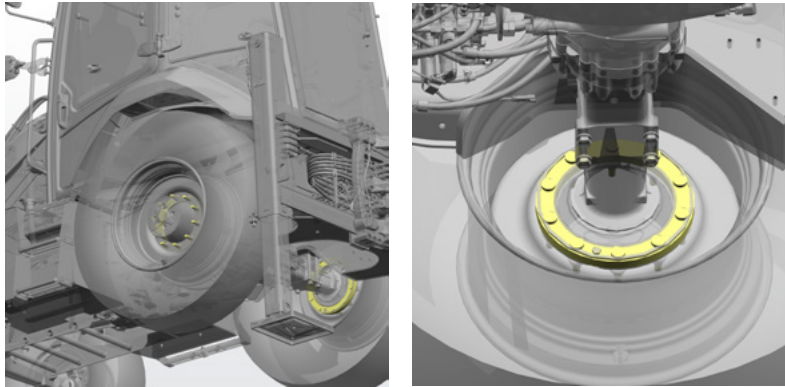
This kit provides a tool bag, combination spanners, grease gun, sockets, sliding T-bar tools and a tire pressure gauge included.



Model	Serial Number Prefix	Part Number	Estimated Install Time
428, 432, 434, 444	H7D, H7E, H7K, H7M, L7D, L7E, L7K, L7M	252-4670	None
426F2, 428F2, 432F2, 434F2, 444F2	EJ2, EJ4, HWN, HWP, HWR, HWS, LYG, LYJ, LYK, LYL		

Studs and Spacer for Snow Chains

Contains longer studs and spacer required to space the wheel away from the machine to fit snow chains.



Model	Serial Number Prefix	Part Number	Estimated Install Time
428, 432	H7D, L7D, H7E, L7E	605-5805	1.0 Hour
434F2, 444F2	HWR, LYK, HWS, LYL	262-6227	
434F, 444F	LDH, MTR, JXR, LJJ		

Touch Screen, 203 mm (8 in)

Provides a replacement touch screen to replace the soft key display.



Model	Serial Number Prefix	Part Number	Estimated Install Time
428, 432, 434, 444	H7D, H7E, H7K, H7M	584-5631*	Recommended Dealer Install

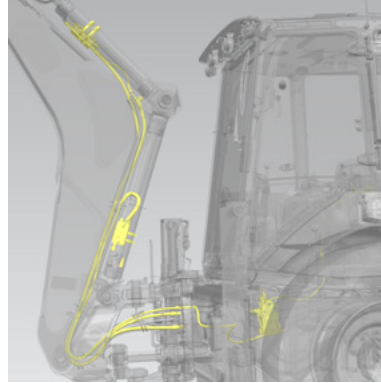
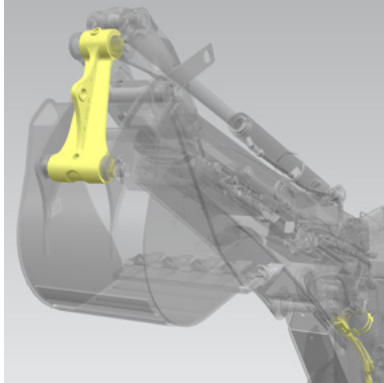
*Requires Cat Electronic Technician (ET) to complete installation of this kit.

EMISSIONS AND REGULATIONS

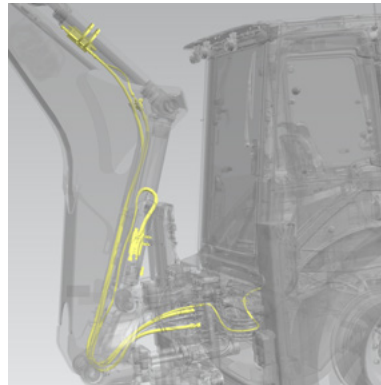
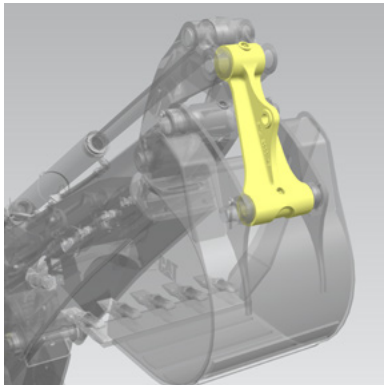
Hoe Object Handling Check Valves

Kit provides hose burst check valves to be mounted to the hoe boom and stick cylinders to prevent inadvertent lowering of the boom due to a hose issue. This is mandatory in certain regions when the lift eye for material handling has been fitted.

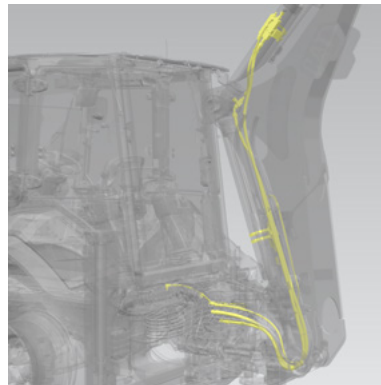
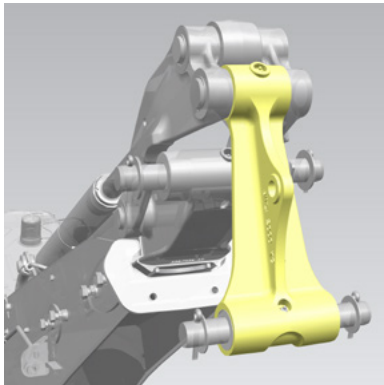
581-4144



581-4145



581-4146



Model	Serial Number Prefix	Part Number	Estimated Install Time
428, 434	H7D, L7D, H7K, L7K	581-4144*	Recommended Dealer Install
428, 432, 434, 444	H7D, L7D, H7E, L7E, H7K, L7K, L7M, H7M	581-4145**	
432, 444	H7E, L7E, L7M, H7M	581-4146***	

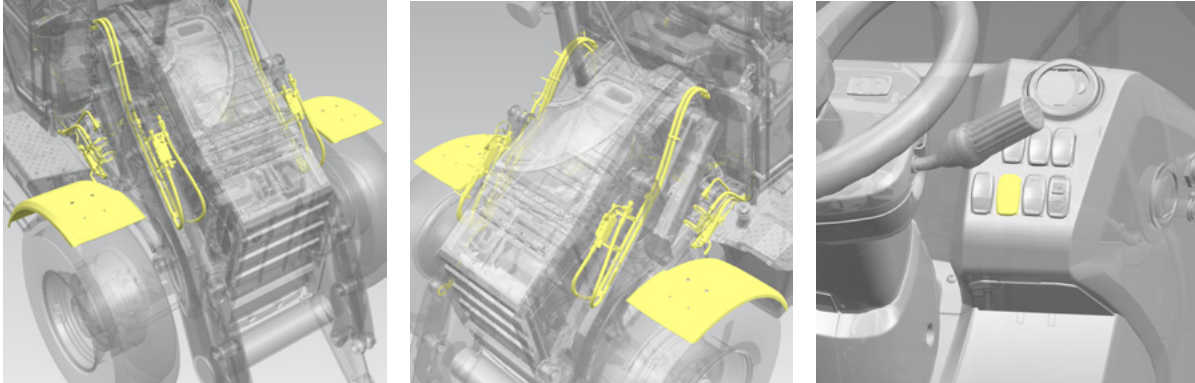
*This kit is for use on Mechanical controlled machines.

**This kit is for use on Pilot or Electro-Hydraulic (EH) controlled machines with a 4.3 m (14'0") boom.

***This kit is for use on Pilot or Electro-Hydraulic (EH) controlled machines with a 4.9 m (15'0") boom.

Loader Check Valves

Kit provides loader check valves to the front loader cylinders to prevent inadvertent lowering of the boom due to a hose issue. This is mandatory in certain regions when the loader is used for material handling.



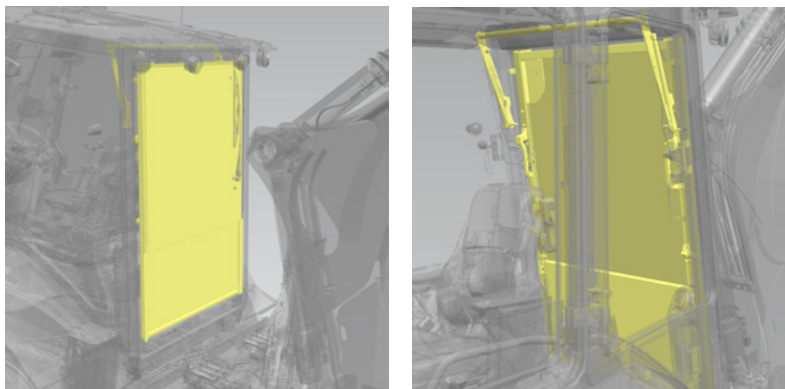
Model	Serial Number Prefix	Part Number	Estimated Install Time
434	H7K, L7K	586-8331*	Recommended Dealer Install
444	L7M, H7M	586-8333**	

*This kit is for use on Mechanical controlled machines.

**This kit is for use on electro-hydraulic (EH) controlled machines.

Rear Window Replacement

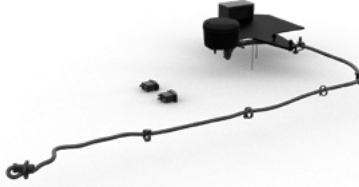
Kit provides a replacement rear window for the cab that can be used when a hammer attachment is being operated, to give the operator incremental protection against debris.



Model	Serial Number Prefix	Part Number	Estimated Install Time
428, 432, 434, 444	H7D, L7D, H7E, L7E, H7K, L7K, L7M, H7M	575-4252	Recommended Dealer Install

License Plate

This kit provides license plate and fog light for backhoe loader side shift machines, mounted on the rear stab leg frame.



Model	Serial Number Prefix	Part Number	Estimated Install Time
428, 432, 434, 444	H7D, H7E, H7K, H7M	353-6951	1.0 Hour
428F2, 432F2	HWN, HWP		

Roading Lights

This kit provides roading lights to convert a side shift backhoe to RH (Right Hand) or LH (Left Hand) drive.



Model	Serial Number Prefix	Part Number	Estimated Install Time
428, 432, 434, 444	H7D, H7E, H7K, H7M	353-6940*	1.0 Hour
428F2, 432F2	HWN, HWP	353-6941**	1.0 Hour

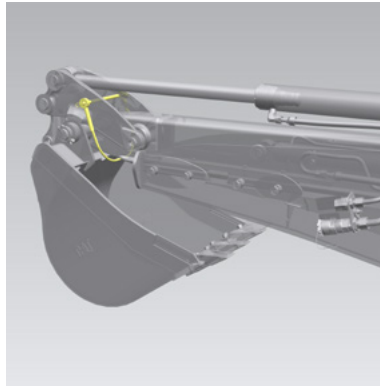
*Roading lights for right hand.

**Roading lights for left hand.

Transport Locks Hoe and Loader

Hoe Linkage Transport Lock

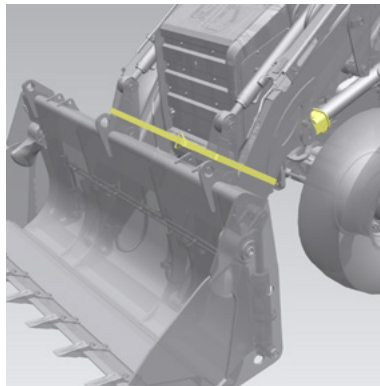
This serviced kit provides a U-Tie strap for tying the hoe linkage back during transit.



Model	Serial Number Prefix	Part Number	Estimated Install Time
428, 432, 434, 444	H7D, H7E, H7K, H7M	353-6953	0.5 Hour
428F2, 432F2, 434F2, 444F2	HWN, HWP, HWR, HWS		

Loader Linkage Transport Lock

This serviced Kit provides the transport strap for tying the parallel loader linkage when the machine is in transit and a short cylinder brace for when roading in Italy.

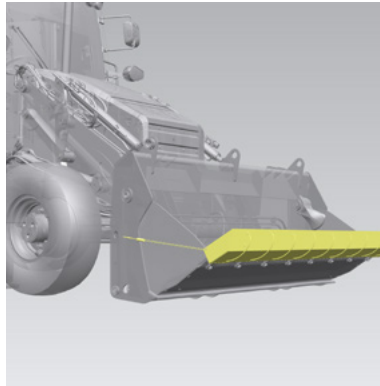


Model	Serial Number Prefix	Part Number	Estimated Install Time
428, 432, 434, 444	H7D, H7E, H7K, H7M	353-6956	0.5 Hour
428F2, 432F2	HWN, HWP		

Bucket Guard

Front Loader Bucket Guard

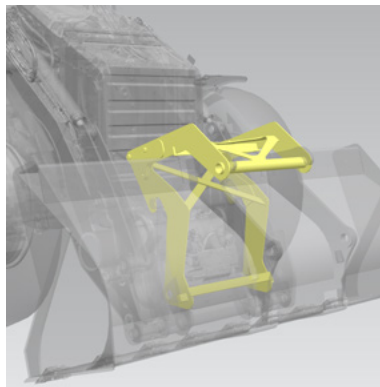
This serviced kit provides a guard for the teeth on the front bucket for transport and when roading.



Model	Serial Number Prefix	Part Number	Estimated Install Time
428, 432, 434, 444	H7D, H7E, H7K, H7M	353-6956	0.5 Hour
428F2, 432F2, 434F2, 444F2	HWN, HWP, HWR, HWS		

Roading Bracket, Equal Size Tires (EST)

Kit provides a bracket to mount an IT Loader bucket in reverse, to a loader coupler, on an equal size tire machine, to be able to be roaded in Germany.

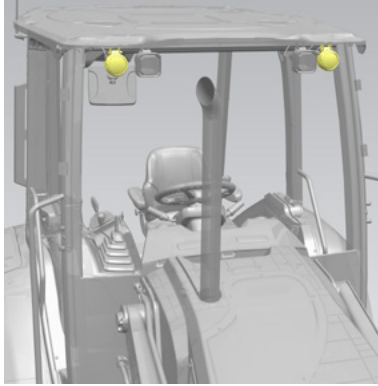


Model	Serial Number Prefix	Part Number	Estimated Install Time
444	L7M, H7M	287-8209	1.0 Hour
444F2	HWS, LYL		

ENHANCEMENTS AND VISIBILITY

Work Lights, LED Spot

Kit provides two (2) replacement forward or rear facing cab mounted LED, 1000 lumen, spot work lights. LED lighting provides brighter lighting and longer life.

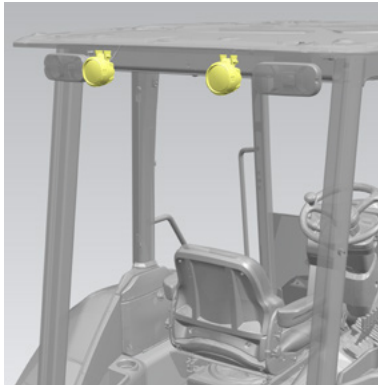


Model	Serial Number Prefix	Part Number	Estimated Install Time
428, 432, 434, 444	H7D, L7D, H7E, L7E, H7K, L7K, L7M, H7M	523-0416*	1.0 Hour
422F2, 427F2, 428F2, 432F2, 434F2, 444F2	LYF, HWK, HWN, LYG, HWP, LYJ, HWR, LYK, HWS, LYL		

*The part number is for reference only. Please see your Cat Dealer for the complete list of required parts.

Work Lights, LED Wide

Kit provides two (2) replacement forward or rear facing cab mounted LED, 1000 lumen, wide work lights. LED lighting provides brighter lighting and longer life.



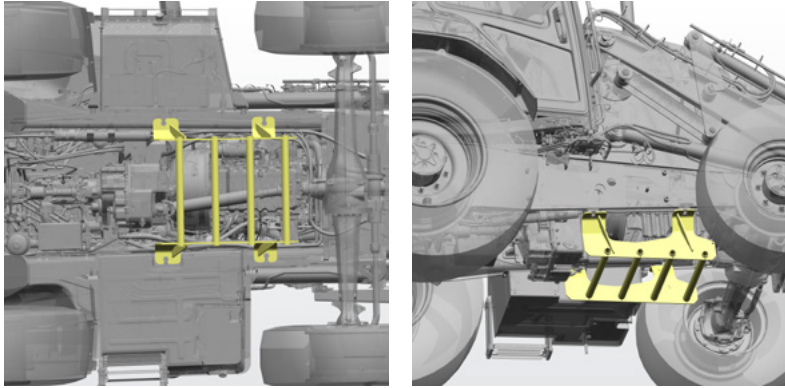
Model	Serial Number Prefix	Part Number	Estimated Install Time
428, 432, 434, 444	H7D, L7D, H7E, L7E, H7K, L7K, L7M, H7M	497-5482*	1.0 Hour
422F2, 427F2, 428F2, 432F2, 434F2, 444F2	LYF, HWK, HWN, LYG, HWP, LYJ, HWR, LYK, HWS, LYL		

*The part number is for reference only. Please see your Cat Dealer for the complete list of required parts.

GUARDING

All Wheel Drive (AWD) Driveshaft Guard

Provides a guard for the AWD driveshaft.

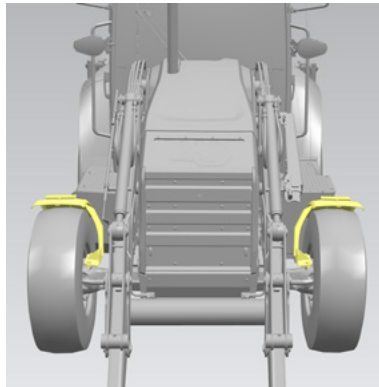


Model	Serial Number Prefix	Part Number	Estimated Install Time
428, 432, 434, 444	H7D, L7D, H7E, L7E, H7K, L7K, H7M, L7M	549-4575*	1.0 Hour
426, 426F2	JZ4, EJ4	399-7019*	

*Hardware required to install kit, sold separately from your Cat dealer parts department.

Front Fenders

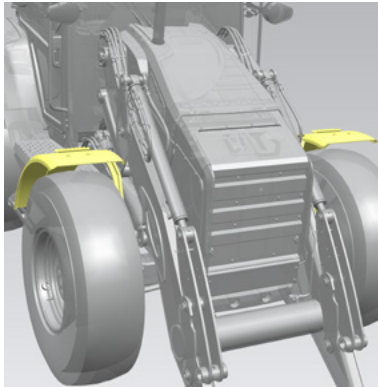
Provides a set of two non-metallic front fenders to add to a machine without existing fenders.



Model	Serial Number Prefix	Part Number	Estimated Install Time
428, 432	H7D, L7D, H7E, L7E	586-8064	1.0 Hour

Front Fenders, Equal Size Tires

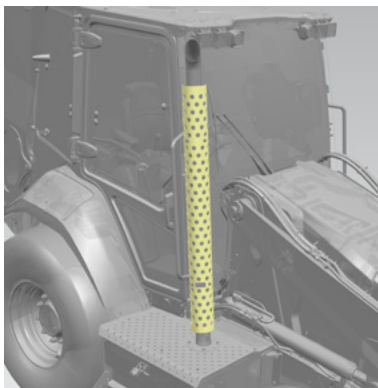
Provides a set of two non-metallic front fenders to add to a machine without existing fenders.



Model	Serial Number Prefix	Part Number	Estimated Install Time
434, 444	H7K, L7K, L7M, H7M	420-6067	1.0 Hour
434F2, 444F2	HWP, LYJ, HWS, LYL		

Heat Shield

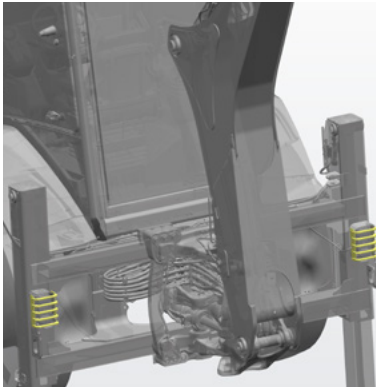
Provides a replacement, stainless steel heatshield to fit around the exhaust stack pipe.



Model	Serial Number Prefix	Part Number	Estimated Install Time
428F2, 432F2, 434F2, 444F2	HWN, HWP, HWR, HWS	494-5432	1.0 Hour
428F, 432F, 434F, 444F	RAK, PXR, MTR, JXR		

Rear Light Guards

This kit provides two rear light guards for Side Shift machines to protect the rear lights.

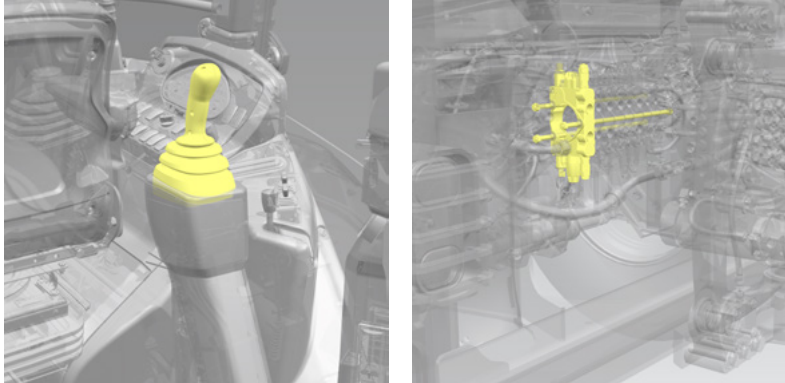


Model	Serial Number Prefix	Part Number	Estimated Install Time
428, 432, 434, 444	H7D, L7D, H7E, L7E, H7K, L7K, H7M, L7M	482-1310	0.5 Hour
427F2, 428F2, 432F2, 434F2	HWK, HWN, HWP, HWS, LYG, LYJ, LYK, LYL		

PERFORMANCE AND PRODUCTIVITY

Additional 8th Function Kit – Pilot/ElectroHydraulic (EH) Hoe

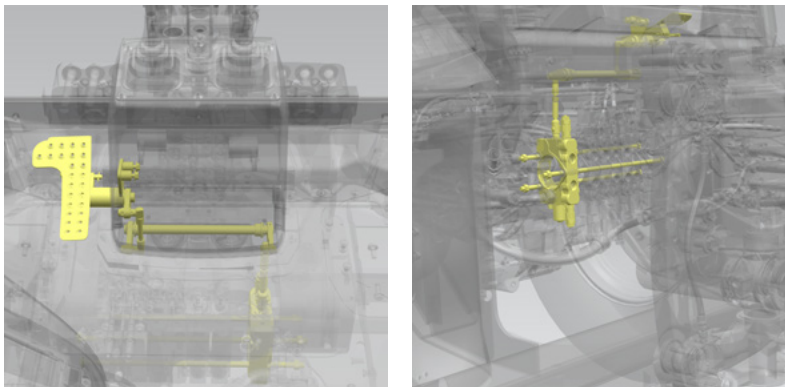
Provides a diverter valve and joystick for 8th function for Pilot or ElectroHydraulic (EH) controlled hoe valves only. Not for use with mechanically controlled machines.



Model	Serial Number Prefix	Part Number	Estimated Install Time
428, 432, 434, 444	H7D, L7D, H7E, L7E, H7K, L7K, H7M, L7M	604-4586	Recommended Dealer Install

Additional 8th Function Kit – Mechanical Hoe

Provides a mechanical pedal and diverter valve to operate an 8th function for the mechanical controlled hoe valves only. Not for use with Pilot or ElectroHydraulic (EH) controlled machines.



Model	Serial Number Prefix	Part Number	Estimated Install Time
428, 434	H7D, L7D, H7K, L7K	581-4147	Recommended Dealer Install

Autoshift Conversion

Once activated by a Cat® dealer, this software enabled kit will allow the customer, to upgrade to the onboard feature to convert from power shift to auto shift transmission.

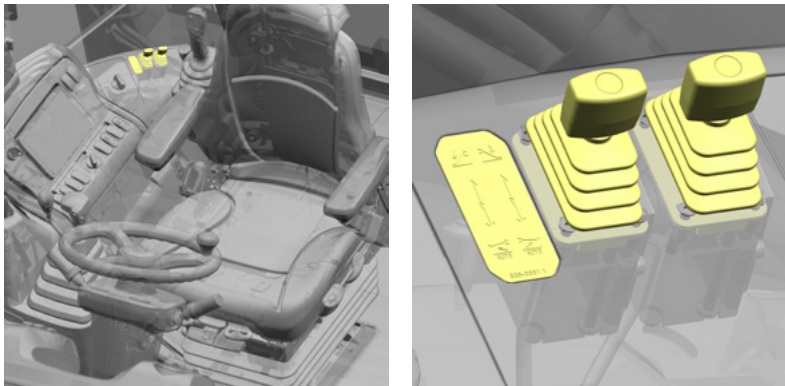


Model	Serial Number Prefix	Part Number	Estimated Install Time
428, 432, 434	H7D, L7D, H7E, L7E, H7K, L7K	621-3645*	Recommended Dealer Install

*This kit has software enabled features that must be activated by a Cat dealer. Additional hardware may be required.

Auto-Up Stabilizer Control

A software enabled kit that allows the machine to have the onboard feature to enable the stabilizers to automatically retract. Only for electro-hydraulic controlled stabilizer switches.

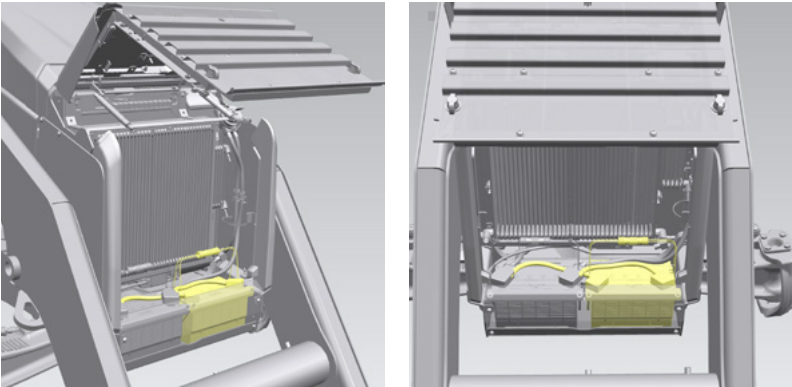


Model	Serial Number Prefix	Part Number	Estimated Install Time
428, 432, 434, 444	H7D, L7D, H7E, L7E, H7K, L7K, H7M, L7M	602-5655*	Recommended Dealer Install

*Contact your Cat dealer for pricing as well as any additional hardware that may be required. Requires Cat Electronic Technician (ET) to complete installation of this kit.

Heavy Duty Battery

This paper kit provides a list of individual service parts to fit a heavy duty second battery option in Backhoe Loader machines.

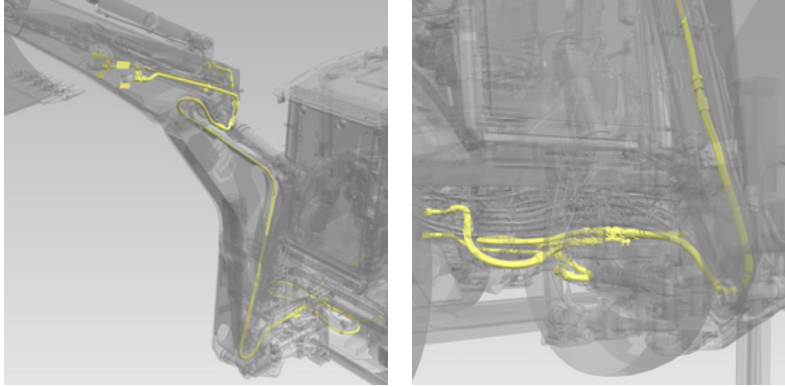


Model	Serial Number Prefix	Part Number	Estimated Install Time
428F2, 432F2	HWN, HWP, LYG, LYJ	457-0316	1.0 Hour

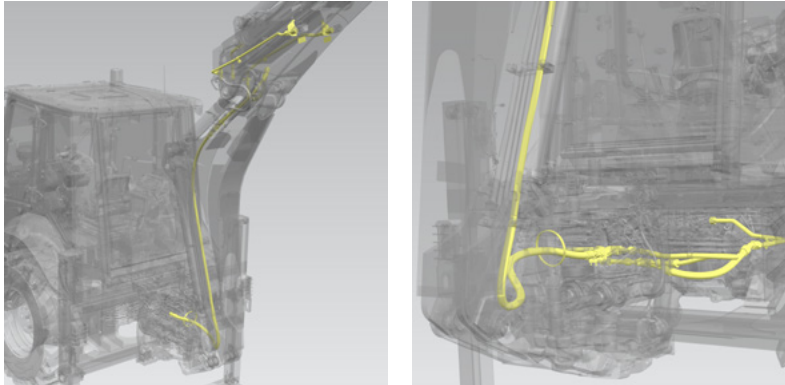
E-Stick One-Way Auxiliary Lines

Provides diverter valve and hydraulic 19 mm (3/4") lines routed to midpoint of stick for use with one-way flow work tools. Includes hydraulic quick disconnect couplings. This kit can be used to build one-way (hammer) lines.

387-6460/387-6462



563-6241



Model	Serial Number Prefix	Part Number	Estimated Install Time
428, 432, 434, 444	H7D, L7D, H7E, L7E, H7K, L7K, L7M, H7M	387-6460*	Recommended Dealer Install
422F2, 427F2, 428F2, 432F2, 434F2, 444F2	LYF, HWK, HWN, LYG, HWP, LYJ, HWR, LYK, HWS, LYL		
432, 444	H7E, L7E, L7M, H7M	387-6462**	
432F2, 444F2	HWP, LYJ, HWS, LYL		
426, 426F2	EJ2, EJ4, JZ4	563-6241	

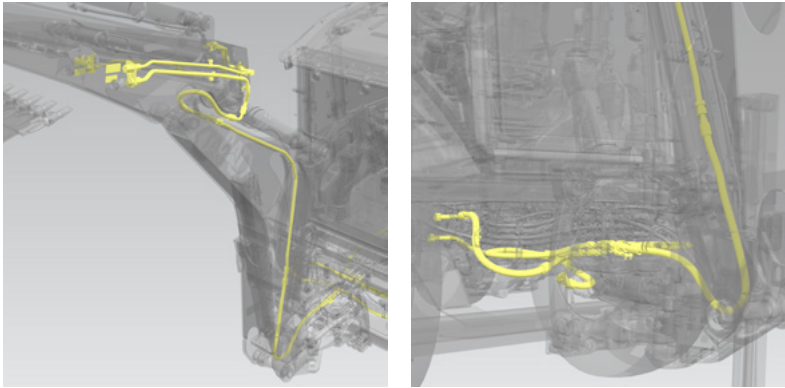
*This kit is for use on machines with a 4.3 m (14'0") boom. This kit has software enabled features that must be activated by a Cat dealer.

**This kit is for use on machines with a 4.9 m (15'0") boom. This kit has software enabled features that must be activated by a Cat dealer.

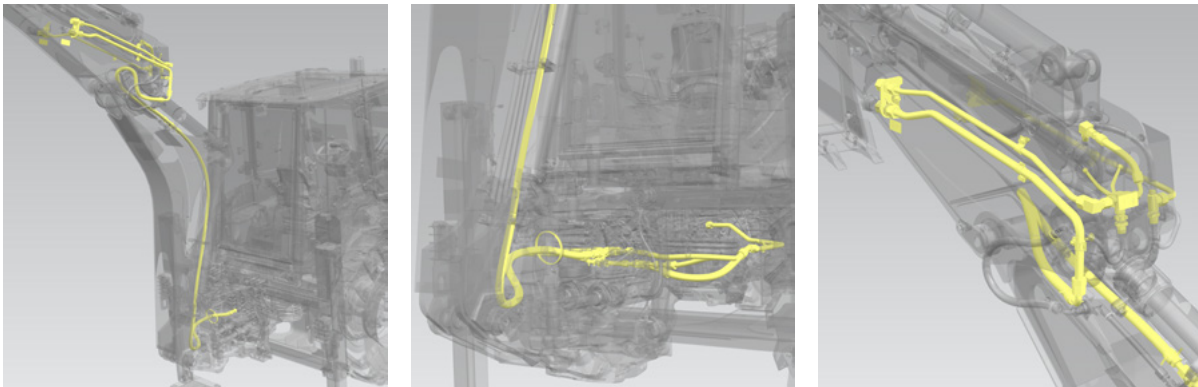
E-Stick Two-Way Auxiliary Lines

Provides diverter valve and hydraulic 19 mm (3/4") lines routed to midpoint of stick for use with one-way or two-way flow work tools. Includes hydraulic quick disconnect couplings. This kit can be used to build one-way (hammer) lines.

387-6461



563-6242

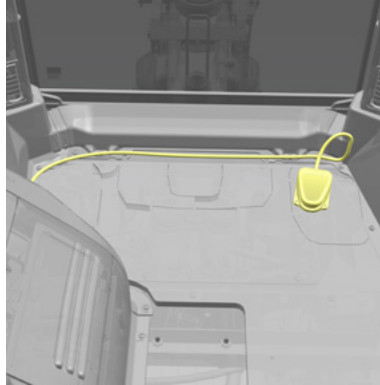


Model	Serial Number Prefix	Part Number	Estimated Install Time
428, 432, 434, 444	H7D, L7D, H7E, L7E, H7K, L7K, L7M, H7M	387-6461*	Recommended Dealer Install
422F2, 427F2, 428F2, 432F2, 434F2, 444F2	LYF, HWK, HWN, LYG, HWP, LYJ, HWR, LYK, HWS, LYL		
426, 426F2	EJ2, EJ4, JZ4	563-6242	

*This kit is for use on machines with a 4.3 m (14'0") boom. This kit has software enabled features that must be activated by a Cat dealer.

Hammer Pedal

This service kit provides the foot operated electronic pedal switch for the continual operation of a hammer work tool fitted to the stick of the machine.

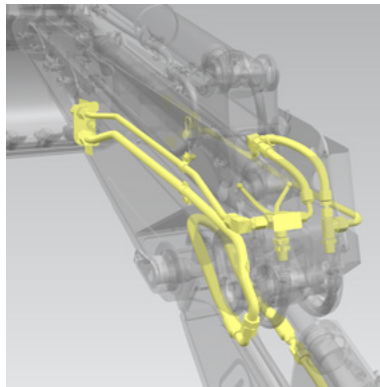


Model	Serial Number Prefix	Part Number	Estimated Install Time
428, 432, 434, 444	H7D, H7E, H7K, H7M, L7D, L7E, L7K, L7M	551-4408*	1.0 Hour

*This kit has software enabled features that must be activated by a Cat dealer.

E-Stick Two-Way Upgrade Auxiliary Lines

This kit is for adding two-way auxiliary lines for machines already fitted with one-way lines. For use with work tools requiring two-way operation.



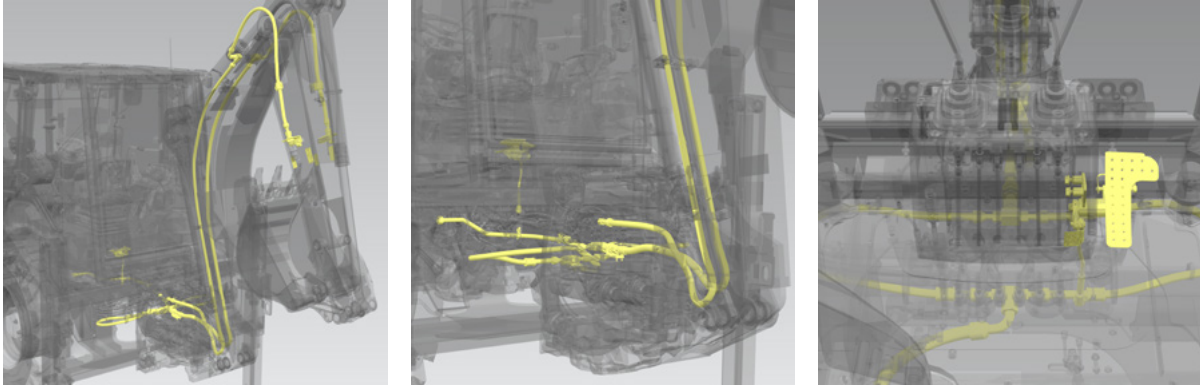
Model	Serial Number Prefix	Part Number	Estimated Install Time
426, 428, 432, 434, 444	H7D, L7D, H7E, L7E, H7K, L7K, H7M, L7M, JZ4	349-1348*	Recommended Dealer Install
422F2, 426F2, 427F2, 428F2, 432F2, 434F2, 444F2	LYF, EJ2, EJ4, HWK, HWN, LYG, HWP, LYJ, HWR, LYK, HWS, LYL		
432, 444	H7E, L7E, L7M, H7M	349-2410**	
432F2, 444F2	HWP, LYJ, HWS, LYL		

*This kit is for use on machines with a 4.3 m (14'0") boom. This kit has software enabled features that must be activated by a Cat dealer.

**This kit is for use on machines with a 4.9 m (15'0") boom. This kit has software enabled features that must be activated by a Cat dealer.

Standard Stick Auxiliary Lines

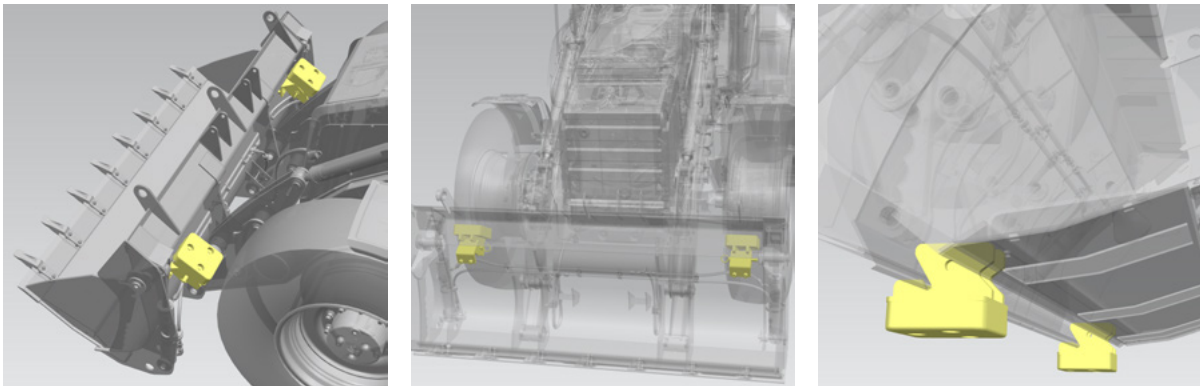
Provides mechanical foot pedal and linkage to diverter valve with hydraulic 19 mm (3/4") lines routed to midpoint of stick for use with one-way flow work tools. Includes hydraulic quick disconnect couplings. This kit can be used to build one-way (hammer) lines.



Model	Serial Number Prefix	Part Number	Estimated Install Time
428, 434	H7D, L7D, H7K, L7K	581-4143	Recommended Dealer Install
426, 426F2	EJ2, EJ4, JZ2, JZ4	509-7009	

Street Pads for Multi-Purpose Bucket

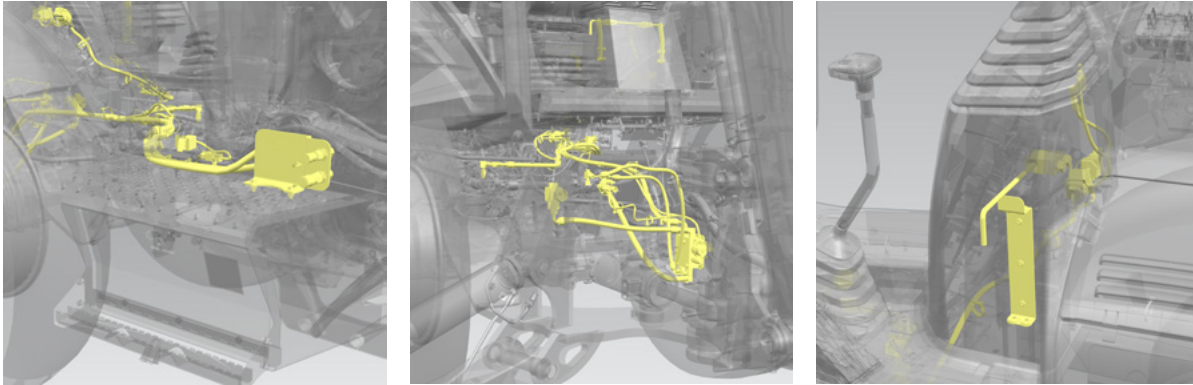
Kit includes two street pads to clamp in between the multi-purpose bucket clam for use when lifting the machine off the ground with the front bucket, not to damage the work surface.



Model	Serial Number Prefix	Part Number	Estimated Install Time
428, 432, 434, 444	H7D, L7D, H7E, L7E, H7K, L7K, L7M, H7M	467-0071	2.0 Hours
422F2, 427F2, 428F2, 432F2, 434F2, 444F2	LYF, HWK, HWN, LYG, HWP, LYJ, HWR, LYK, HWS, LYL		

Hydraulic Hand Tool Circuit

This kit provides an auxiliary hand tool circuit to operate Type II single flow hydraulics hand tool circuit via flat face quick connects located on the top of the tread plate of the tool box on the right side of the machine.

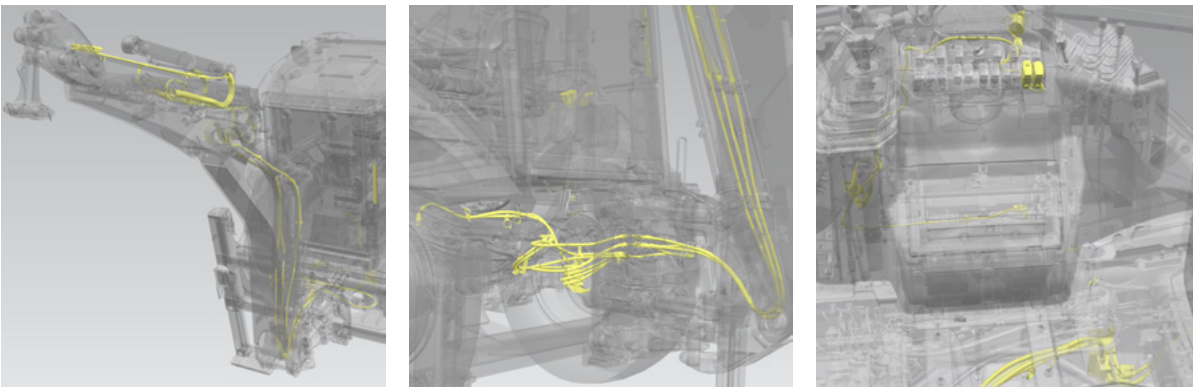


Model	Serial Number Prefix	Part Number	Estimated Install Time
422F2, 427F2, 428F2, 432F2, 434F2, 444F2	LYF, HWK, HWN, LYG, HWP, LYJ, HWR, LYK, LYL, HWS	577-7083*	Recommended Dealer Install

*This kit has software enabled features that must be activated by a Cat dealer.

Hydraulic Hoe Coupler Lines

Provides hydraulic hoe coupler lines for extended stick to enable the hydraulic hoe coupler to be operated on the machine from the cab switches provided.



Model	Serial Number Prefix	Part Number	Estimated Install Time
428, 434	H7D, L7D, H7K, L7K	581-4552*	Recommended Dealer Install
428, 432, 434, 444	H7D, L7D, H7E, L7E, H7K, L7K, L7M, H7M	581-4141**	
432, 444	H7E, L7E, L7M, H7M	581-4142***	

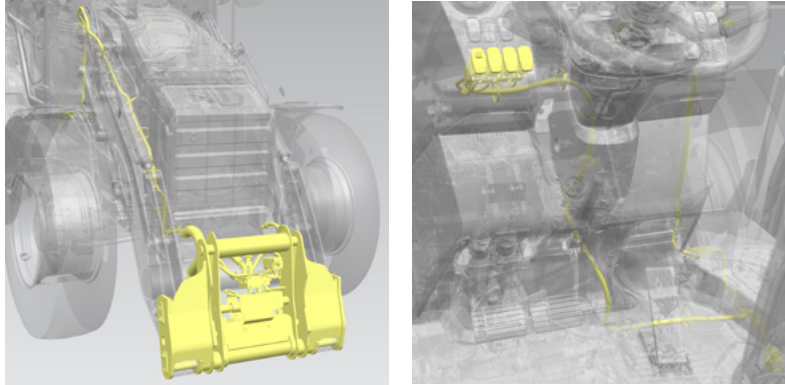
*This kit is for use on Mechanical controlled machines with a 4.3 m (14'0") boom.

**This kit is for use on Pilot or Electro-Hydraulic (EH) controlled machines with a 4.3 m (14'0") boom and has software enabled features that must be activated by a Cat dealer.

***This kit is for use on machines with a 4.5 m (15'0") boom and has software enabled features that must be activated by a Cat Dealer.

Loader Quick Coupler, Parallel Lift, Equal Size Tires

Provides an electro-hydraulic coupler actuation system activated from the cab. Includes constant pressure coupler pins on equal size tire parallel lift machines for use with Cat IT coupler to mount hook-on work tools.



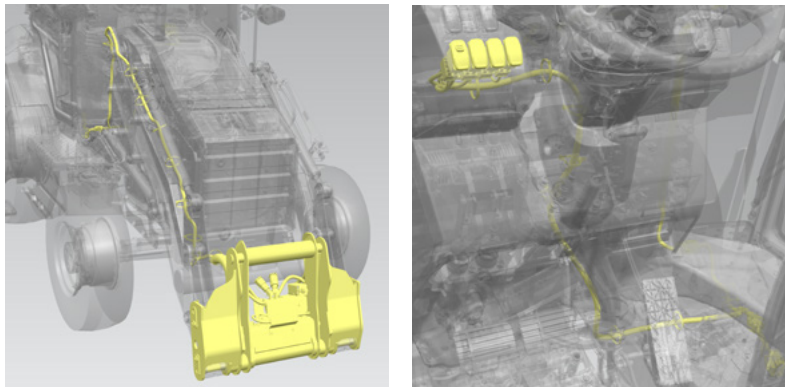
Model	Serial Number Prefix	Part Number	Estimated Install Time
434, 444	H7K, L7K, H7M, L7M	472-4304*	Recommended Dealer Install
434F2**, 444F2	HWR**, LYK**, HWS, LYL		

*This kit has software enabled features that must be activated by a Cat dealer.

**Please contact your Cat® dealer and reference media number M0068106 for additional harness requirements and proper installation instructions.

Loader Quick Coupler, Parallel Lift, Non Equal Size Tires

Provides an electro-hydraulic coupler actuation system activated from the cab. Includes constant pressure coupler pins on standard parallel lift machines for use with Cat IT coupler to mount hook-on work tools.



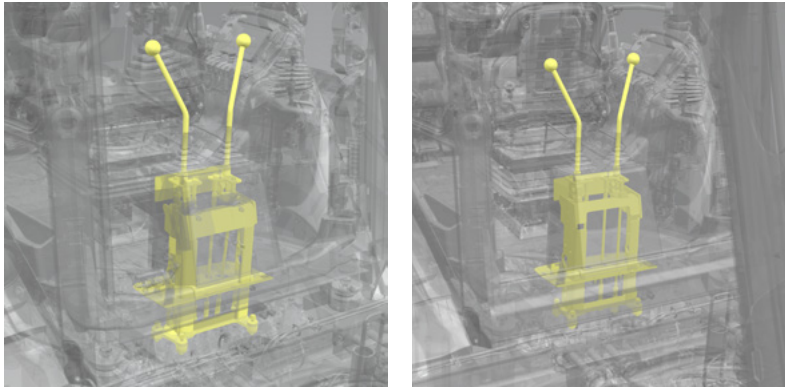
Model	Serial Number Prefix	Part Number	Estimated Install Time
428, 432	H7D, L7D, H7E, L7E	472-4303*	Recommended Dealer Install
427F2**, 428F2**, 432F2	HWK**, HWN**, LYG**, LYJ		

*This kit has software enabled features that must be activated by a Cat dealer.

**Please contact your Cat® dealer and reference media number M0068106 for additional harness requirements and proper installation instructions.

Mechanical Hoe Controls (Backhoe)

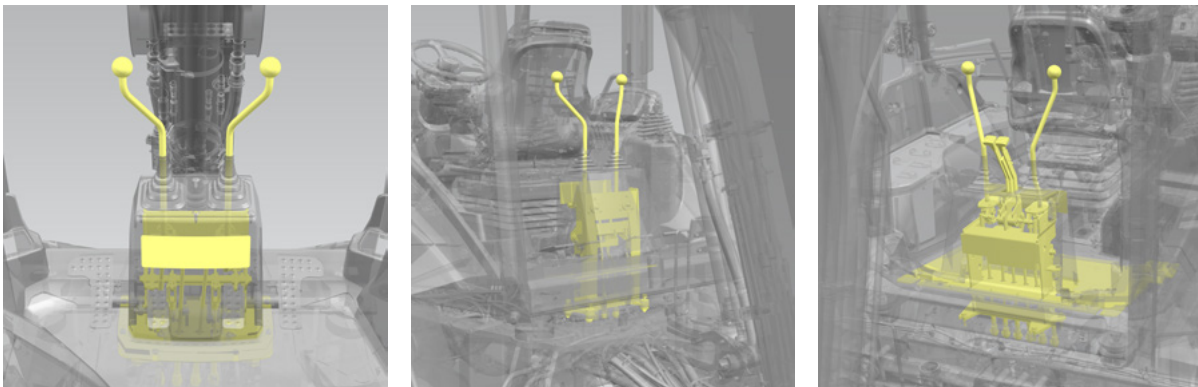
This kit converts controls from excavator (ISO) mechanical hoe control pattern to mechanical hoe backhoe control pattern.



Model	Serial Number Prefix	Part Number	Estimated Install Time
428, 434	H7D, L7D, H7K, L7K	579-6460	Recommended Dealer Install
422F2, 427F2, 428F2, 434F2	LYF, HWK, HWN, LYG, HWR, LYK	472-4302	

Mechanical Hoe Controls (Excavator)

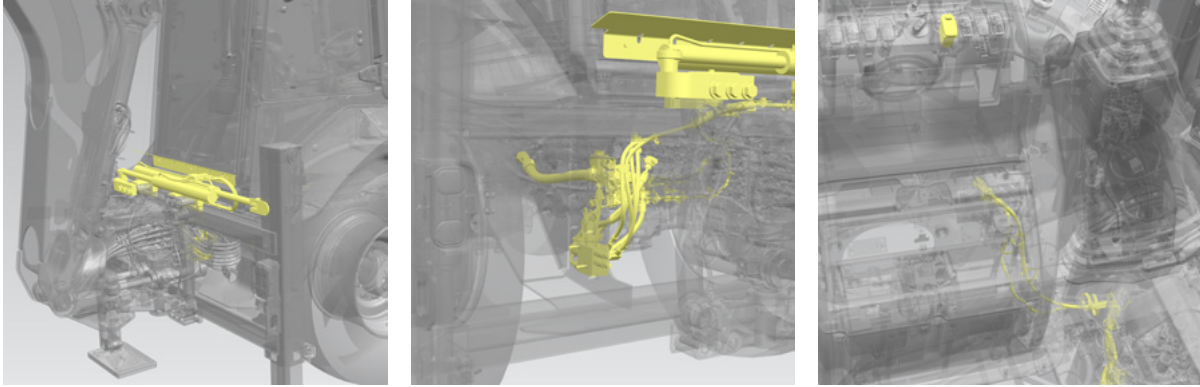
This kit converts controls from backhoe mechanical hoe control pattern to mechanical hoe excavator (ISO) pattern.



Model	Serial Number Prefix	Part Number	Estimated Install Time
428, 434	H7D, L7D, H7K, L7K	579-6459	Recommended Dealer Install
426, 426F2	EJ2, EJ4, JZ2, JZ4	561-5731	
422F2, 427F2, 428F2, 434F2	LYF, HWK, HWN, LYG, HWR, LYK	468-7975	

Powered Side Shift

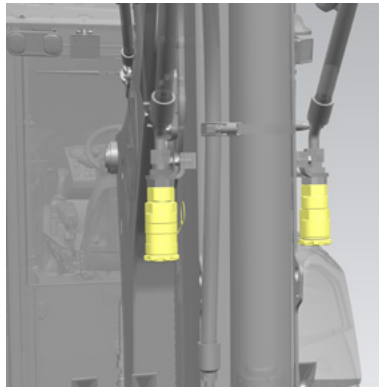
Kit provides a complete Powered Side Shift kit to enable the Slider frame to be hydraulically controlled from the cab.



Model	Serial Number Prefix	Part Number	Estimated Install Time
428, 432, 434, 444	H7D, L7D, H7E, L7E, H7K, L7K, L7M, H7M	566-0159	Recommended Dealer Install
422F2, 427F2, 428F2, 432F2, 434F2, 444F2	LYF, HWK, HWN, LYG, HWP, LYJ, HWR, LYK, HWS, LYL		

Quick Disconnect (Hoe)

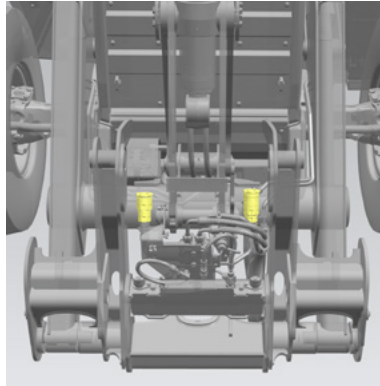
Kit includes both male and female twist to connect hydraulic quick disconnect couplings, with protective caps, for use with hoe hydraulic operated work tools.



Model	Serial Number Prefix	Part Number	Estimated Install Time
428, 432, 434, 444	H7D, L7D, H7E, L7E, H7K, L7K, L7M, H7M	442-9566	0.5 Hour
422F2, 427F2, 428F2, 432F2, 434F2, 444F2	LYF, HWK, HWN, LYG, HWP, LYJ, HWR, LYK, HWS, LYL		

Quick Disconnect (Loader)

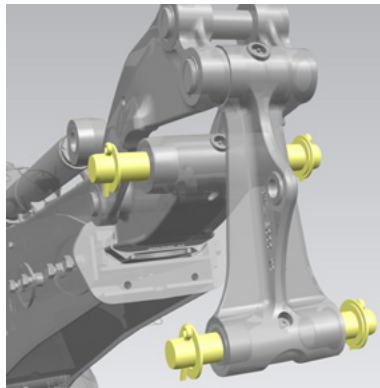
Kit includes both male and female twist to connect hydraulic quick disconnect couplings, with protective caps, for use with loader hydraulic operated work tools.



Model	Serial Number Prefix	Part Number	Estimated Install Time
428, 432, 434, 444	H7D, L7D, H7E, L7E, H7K, L7K, L7M, H7M	455-7380	0.5 Hour
428F2, 432F2, 434F2, 444F2	HWN, LYG, HWP, LYJ, HWR, LYK, HWS, LYL		

Spare Bucket Pins

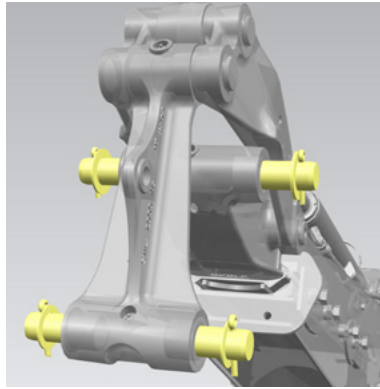
Provides spare standard Cat bucket pins.



Model	Serial Number Prefix	Part Number	Estimated Install Time
428, 432, 434, 444	H7D, L7D, H7E, L7E, H7K, L7K, L7M, H7M	178-3593	0.2 Hour
422F2, 427F2, 428F2, 432F2, 434F2, 444F2	LYF, HWK, HWN, LYG, HWP, LYJ, HWR, LYK, HWS, LYL		

Spare Narrow Stick Bucket Pins

Provides spare bucket pins.

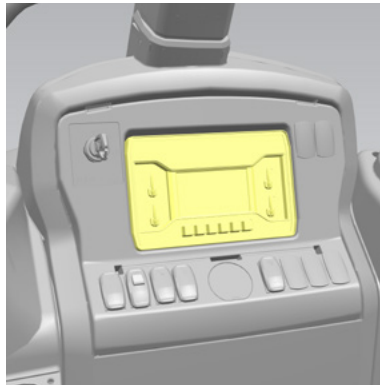


Model	Serial Number Prefix	Part Number	Estimated Install Time
428, 432, 434, 444	H7D, L7D, H7E, L7E, H7K, L7K, L7M, H7M	223-1882	0.2 Hour
422F2, 427F2, 428F2, 432F2, 434F2, 444F2	LYF, HWK, HWN, LYG, HWP, LYJ, HWR, LYK, HWS, LYL		

SECURITY

Security Pin-On Display

Once activated by a Cat dealer, this software enabled kit, will allow the customer to upgrade the onboard feature to keypad security on the display.

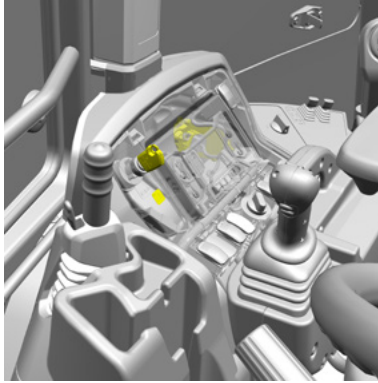


Model	Serial Number Prefix	Part Number	Estimated Install Time
428, 432, 434, 444	H7D, H7E, H7K, H7M	602-6201*	Recommended Dealer Install

*This kit has software enabled features that must be activated by a Cat dealer. Additional hardware may be required.

Bluetooth Security Key

This kit provides a Bluetooth Security Key and module for added security.

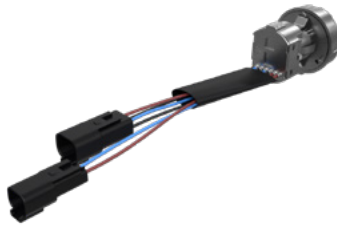


Model	Serial Number Prefix	Part Number	Estimated Install Time
428, 432, 434, 444	H7D, H7E, H7K, H7M	637-0136*	Recommended Dealer Install

*This kit has software enabled features that must be activated by a Cat dealer.

Push to Start

This kit provides a Push to Start ignition switch barrel to replace the key barrel. (For use with Bluetooth Key and Pin entry display security).



Model	Serial Number Prefix	Part Number	Estimated Install Time
428, 432, 434, 444	H7D, H7E, H7K, H7M	526-5710	Recommended Dealer Install

AEXQ3131-03
Replaces AEXQ3131-02
June 2023
(Global)

© 2023 Caterpillar. All Rights Reserved. CAT, CATERPILLAR, LET'S DO THE WORK, their respective logos, "Caterpillar Corporate Yellow," the "Power Edge" and Cat "Modern Hex" trade dress as well as corporate and product identity used herein, are trademarks of Caterpillar and may not be used without permission.

