

# C18 ACERT™

## MARINE PROPULSION ENGINE

671 bhp 500 bkW WOSR 1800-2100 rpm  
715 bhp 533 bkW WOSR 1800-2100 rpm



Image shown may not reflect actual engine

### SPECIFICATIONS

#### I-6, 4-Stroke-Cycle-Diesel

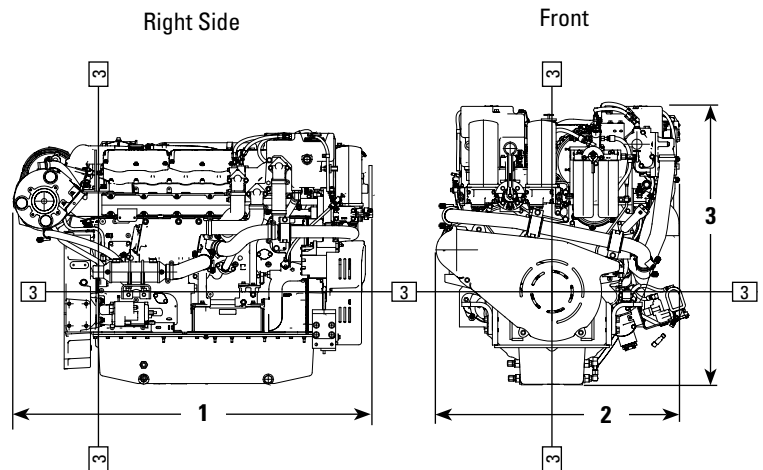
- EPA Tier 3/IMO II compliant
- 18.0 L (1098 cu in) displacement
- 1800-2100 rpm rated engine speed
- 145 mm (5.7 in) bore x 183 mm (7.2 in) stroke
- Turbocharged and aftercooled aspiration
- Electronically governed
- Heat exchanger or keel cooled
- Refill capacity
  - Cooling system: 45 L (12 gal)
  - Lube oil system: 49 L (13 gal) shallow pan
  - Lube oil system: 68 L (18 gal) deep pan
- 250-hour oil change interval shallow pan
- 500-hour oil change interval deep pan
- Caterpillar Diesel Engine Oil 10W30 or 15W40
- SAE No. 0 flywheel housing with SAE No. 18 flywheel (136 teeth), SAE No. 1 flywheel housing with SAE No. 14 flywheel (113 teeth)
- Counterclockwise rotation from flywheel end



### STANDARD ENGINE EQUIPMENT

- Separate circuit aftercooler (SCAC)
- Heavy-duty inlet air filter
- Heat exchanger or keel cooling
- SCAC and JW shunt tanks with sight glass
- Watercooled exhaust manifold and turbocharger
- Center sump oil pan, deep or shallow
- Oil filler, filter, and dipstick, front service
- MEUI fuel system
- Fuel filter, front service
- Fuel transfer and priming pumps
- Hybrid fuel lines
- Electronic fuel/air ratio control
- Electronic diagnostics and fault logging
- Front support adjustable mounting system
- Front damper guard
- Customer wiring and service tool connector

### DIMENSIONS



#### ENGINE DIMENSIONS & WEIGHT

<b>(1) Length</b>	1854 mm	73.0 in
<b>(2) Width</b>	1134 mm	44.6 in
<b>(3) Height</b>	1300 mm	51.2 in
<b>Weight, Net Dry (approx)</b>	*1950 kg	*4,299 lb

Note: Do not use these dimensions for installation design. See general dimension drawings for detail.

\*Weight includes electric starting motor and charging alternator.

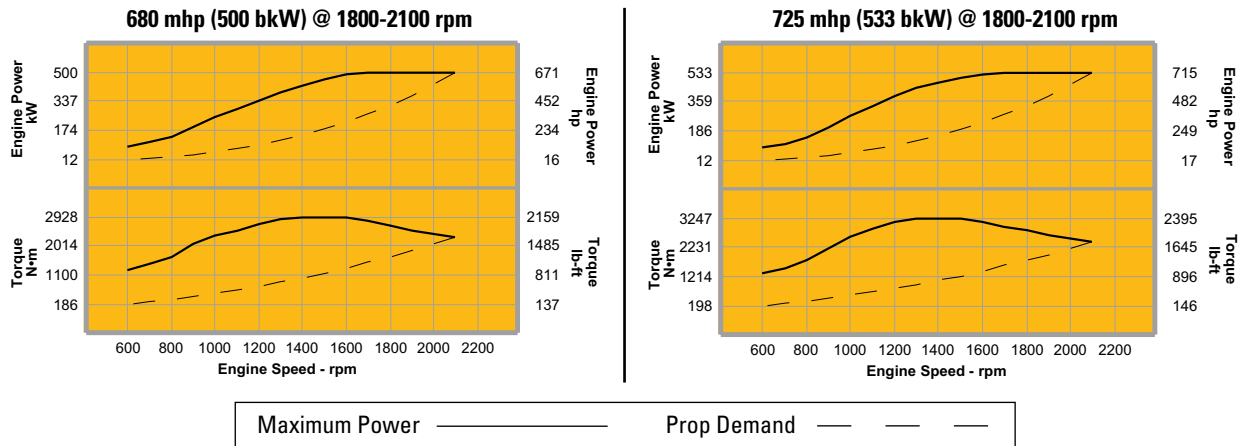
## MARINE ENGINE PERFORMANCE

### Prop Demand

B Rating – EM0265-00					C Rating – EM0259-00			
rpm	bhp	g/hr	bkW	g/bkW-hr	bhp	g/hr	bkW	g/bkW-hr
2100	671	35.2	500	223.3	715	37.6	533	223.9
1900	497	27.1	370	232.3	529	28.6	395	230.2
1600	297	16.2	221	232.7	316	17.3	236	233.1
1300	159	9.1	119	243.9	170	9.4	126	235.4
900	53	2.9	39	236.7	56	3.1	42	238.9
600	16	1.1	12	303.8	17	1.1	12	291.3

### Prop Demand

B Rating – EM0377-00					C Rating – EM0376-00			
rpm	bhp	g/hr	bkW	g/bkW-hr	bhp	g/hr	bkW	g/bkW-hr
1800	671	33.3	500	211.8	715	35.4	533	210.9
1500	388	20.4	289	224.4	414	21.8	308	224.4
1200	199	10.9	148	233.9	212	11.5	158	230.6
900	84	4.4	63	222.3	89	4.7	67	223.2
600	25	1.5	19	259.5	26	1.6	20	253.4



### OPTIONAL EQUIPMENT

- Air inlet adapter
- Auxiliary expansion tank flange kit
- Battery charger 10 amp
- Charging alternator 24V 105 amp
- Exhaust elbows, dry or watercooled
- Exhaust flange, flexible fitting, muffler
- Duplex fuel filter – front service
- Fuel cooler, flexible fuel lines
- Primary fuel/water separator
- Duplex oil filter – front service
- Transmission oil cooler
- Manual sump pump
- Vibration isolators
- Starting motors – electric or air
- Jacket water heaters
- Battery sets – 24V 950-1300 CCA
- MECP I control panel
- MECP III control panel with Cat® alarm and protection system
- OEM wiring harness – 30, 50, 80 foot lengths
- Engine-to-engine wiring harness – 15, 30 foot lengths
- Front supports and rear supports
- Power take-offs
- Fumes disposal (closed system)

CAT, CATERPILLAR, their respective logos, ACERT, “Caterpillar Yellow” and the “Power Edge” trade dress, as well as corporate and product identity used herein, are trademarks of Caterpillar and may not be used without permission.