



CAT® MINI HYDRAULIC EXCAVATORS UPGRADES AND ACCESSORIES GUIDE

MINI HYDRAULIC EXCAVATORS MODELS: 301.5, 301.6, 301.7 CR, 301.8, 302 CR, 302.7 CR, 303 CR, 303.5 CR, 304, 305 CR, 306, 306 CR, 306.5, 307.5, 308 CR, 308 SR, 308.5, 309 CR, 310

SERIAL NUMBER PREFIXES: MNH, MY6, JH7, H8X, RHM, CZ6, 3C3, NXY, MY3, RE9, CE9, R2E, AN4, 5G5, 5X5, GW5, 6W6, 6G6, GW6, GW7, GW8, GG8, GX8, GK8, GZ8, GW9, GG9, GWT



Option/Accessory Page Number

COMFORT AND CONVENIENCE 3

Radio, Bluetooth® 3
Radio, Premium 4
Rain Visor 4
Rearview Mirrors 5
Travel Mirror 5

GUARDING 6

Cab Guard, Full 6
Canopy Guard, Full 6
Canopy Guard, Half 6
Cab Front Guard, Heavy Duty 7
Canopy Front Guard, Heavy Duty 7
Cab Front Guard, Mesh 8
Canopy Front Guard, Mesh 9
Overhead Cab Guard 9
Overhead Canopy Guard 10
Polycarbonate Window 10
Radiator Screen Guard 11
Track Guiding, Center Guard 12

MAINTENANCE AND IMPROVEMENT 13

Fuel Tank Drain 13
Grease Gun Holder 13
Toolbox 13

PERFORMANCE AND PRODUCTIVITY 14

Boom Lowering Control Valve 14
Stick Lowering Control Valve 15
Case Drain 16
Extra Counterweight 16
Steel Track with Rubber Pads 19
Coupler Control Kit – Long Stick, Cat® Coupler 19
Coupler Control Kit – Long Stick, CW Coupler 20

Option/Accessory Page Number

PERFORMANCE AND PRODUCTIVITY (continued) 14

Hydraulic Coupler Lines Kit –
Dual Lock Coupler – Standard Stick 21
Hydraulic Coupler Lines Kit –
Daul Lock Coupler – Long Stick 21
Hydraulic Coupler Lines Kit –
CW Coupler – Long Stick 22
Mulching Toolkit 22
Second Auxiliary Hydraulic Lines Kit –
Standard Stick 23
Second Auxiliary Hydraulic Lines Kit – Long Stick 24
Second Auxiliary Kit – No Lines 25
Third Auxiliary Function 25
Screw to Connect Quick Disconnects 26
Ease of Use Hardware 26
Product Link™, PLE643 27
Water Jacket Heater – 120V 27
Water Jacket Heater – 240V 28

SECURITY 28

Push to Start Security System 28

SAFETY AND VISIBILITY 29

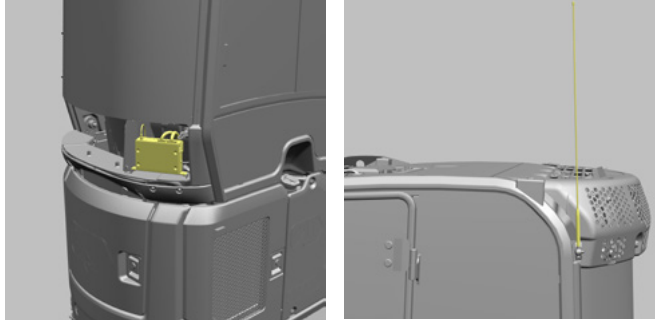
LED Lights 29
LED Lights – Front and Rear 29
Rear Lights 30
Advanced Display 31
Rear View Camera 32
Rear View Camera, Canopy 32
Seatbelt Reminder Alarm 33
Travel Alarm 33

Estimated install times noted throughout the guide are an approximation and may vary depending on skill level.

COMFORT AND CONVENIENCE

Radio, Bluetooth®

Radio Kit includes Bluetooth, USB auxiliary, and microphone ports.



Model	Serial Number Prefix	Part Number	Estimated Install Time
301.5, 301.6, 301.7 CR, 301.8, 302 CR, 302.7 CR, 303 CR, 303.5 CR	MNH, MY6, JH7, H8X, RHM, CZ6, 3C3, NXY, MY3, RE9, CE9, R2E	609-9306*	2.5 Hours

*Recommended dealer installation. Requires Cat Electronic Technician (ET) to complete installation of this kit.

Digital Band Radio (DAB) Kit includes Bluetooth, USB auxiliary and microphone ports for Digital Audio Band supported regions only.

Model	Serial Number Prefix	Part Number	Estimated Install Time
301.5, 301.6, 301.7 CR, 301.8, 302 CR, 302.7 CR, 303 CR, 303.5 CR	MNH, MY6, JH7, H8X, RHM, CZ6, 3C3, NXY, MY3, RE9, CE9, R2E	609-9307*	2.5 Hours

*Recommended dealer installation. Requires Cat Electronic Technician (ET) to complete installation of this kit.

Radio, Premium

Includes all required components to add a Digital Audio Band (DAB) if service is supported to cab units or to convert from a standard DIN radio to a DAB.

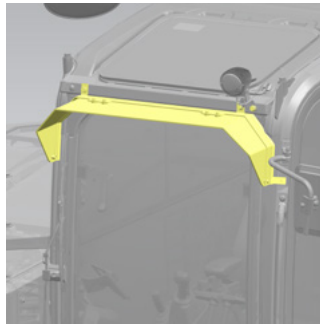


Model	Serial Number Prefix	Part Number	Estimated Install Time
306, 306 CR, 306.5, 307.5, 308 CR, 308 SR, 308.5, 309 CR, 310	GW5, 6W6, 6G6, GW6, GW7, GW8, GG8, GX8, GK8, GZ8, GW9, GG9, GWT	561-8099*	2.0 Hours
304*, 305 CR*	AN4, 5G5, 5X5		

*Must also order part number 594-6288 to complete installation of this radio.

Rain Visor

Protective rain visor on top of cab front window.



Model	Serial Number Prefix	Part Number	Estimated Install Time
306, 306 CR, 306.5, 307.5, 308 CR, 308 SR, 308.5, 309 CR, 310	GW5, 6W6, 6G6, GW6, GW7, GW8, GG8, GX8, GK8, GZ8, GW9, GG9, GWT	561-8103	0.5 Hour
304, 305 CR	AN4, 5G5, 5X5	607-0345	

Rearview Mirrors

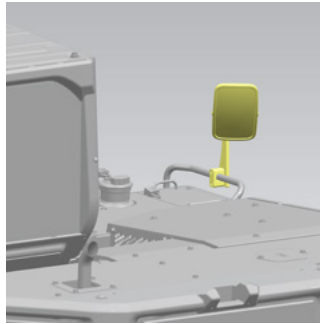
Provides left and right rearview mirrors, including hardware.



Model	Serial Number Prefix	Part Number	Estimated Install Time
302.7 CR, 303 CR, 303.5 CR	CZ6, 3C3, NXY, MY3, RE9, CE9, R2E	609-9305	0.5 Hour

Travel Mirror

Add to right side of the machine for additional visibility.

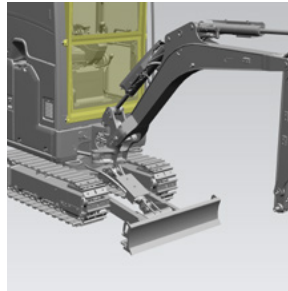


Model	Serial Number Prefix	Part Number	Estimated Install Time
306, 306 CR, 306.5, 307.5, 308 CR, 308 SR, 308.5, 309 CR, 310	GW5, 6W6, 6G6, GW6, GW7, GW8, GG8, GX8, GK8, GZ8, GW9, GG9, GWT	561-8204	0.5 Hour

GUARDING

Cab Guard, Full

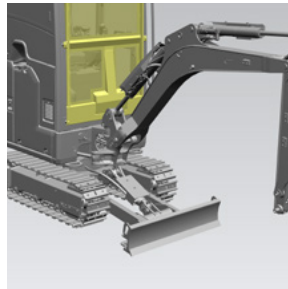
Provides front cab, full polycarbonate guard. Meets EN 356 P5A window protection and ISO 10262 Level I guard requirement.



Model	Serial Number Prefix	Part Number	Estimated Install Time
301.6, 301.8, 302 CR, 302.7 CR, 303 CR, 303.5 CR	MY6, H8X, RHM, CZ6, 3C3, NXY, MY3, RE9, CE9, R2E	609-9302	1.25 Hours

Canopy Guard, Full

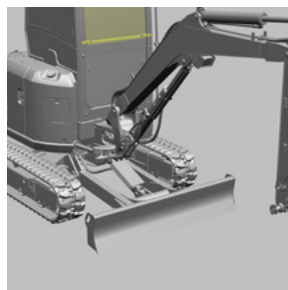
Provides front canopy, full polycarbonate guard. Meets EN 356 P5A window protection and ISO 10262 Level I guard requirement.



Model	Serial Number Prefix	Part Number	Estimated Install Time
301.5, 301.7 CR, 301.8, 302 CR, 302.7 CR, 303 CR, 303.5 CR	MNH, JH7, H8X, RHM, CZ6, 3C3, NXY, MY3, RE9, CE9, R2E	609-9303	1.25 Hours

Canopy Guard, Half

Provides front upper half polycarbonate guard (not certified).



Model	Serial Number Prefix	Part Number	Estimated Install Time
301.5, 301.7 CR, 301.8, 302 CR, 302.7 CR, 303 CR, 303.5 CR	MNH, JH7, H8X, RHM, CZ6, 3C3, NXY, MY3, RE9, CE9, R2E	609-9301	1.25 Hours

Cab Front Guard, Heavy Duty

Hinged heavy duty front guarding offers easy access to the windows for cleaning. Meets ISO 10262 Level II requirements.



Model	Serial Number Prefix	Part Number	Estimated Install Time
306, 306 CR, 306.5, 307.5, 308 CR, 308 SR, 308.5, 309 CR, 310	GW5, 6W6, 6G6, GW6, GW7, GW8, GG8, GX8, GK8, GZ8, GW9, GG9, GWT	567-4592	2.5 Hours
304, 305 CR, 305.5	AN4, 5G5, 5X5	610-2065*	

* The part number is for reference only. Please see your Cat dealer for the complete list of required parts.

Canopy Front Guard, Heavy Duty

Heavy duty front guard and fitting hardware. Meets ISO 10262 Level II requirements for a canopy machine.

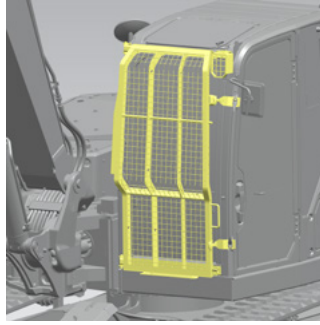


Model	Serial Number Prefix	Part Number	Estimated Install Time
304, 305 CR, 305.5 CR, 306 CR	AN4, 5G5, 5X5, AX6, 6G6	610-2066*	2.5 Hours

* The part number is for reference only. Please see your Cat dealer for the complete list of required parts.

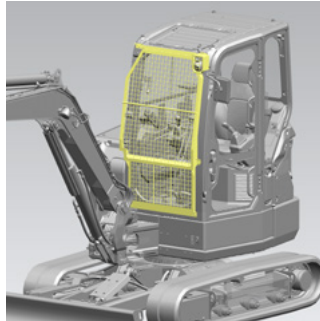
Cab Front Guard, Mesh

Hinged mesh front guard and fitting hardware. Offers easy access to the windows for cleaning. Meets ISO 10262 Level I requirements.



Model	Serial Number Prefix	Part Number	Estimated Install Time
306, 306 CR, 306.5, 307.5, 308 CR, 308 SR, 308.5, 309 CR, 310	GW5, 6W6, 6G6, GW6, GW7, GW8, GG8, GX8, GK8, GZ8, GW9, GG9, GWT	567-4593*	2.5 Hours

* The part number is for reference only. Please see your Cat dealer for the complete list of required parts.

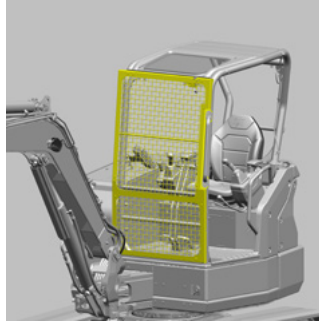


Model	Serial Number Prefix	Part Number	Estimated Install Time
304, 305 CR, 305.5, 306 CR	AN4, 5G5, 5X5, AX6, 6G6	610-2066*	2.5 Hours

* The part number is for reference only. Please see your Cat dealer for the complete list of required parts.

Canopy Front Guard, Mesh

Mesh front guard and fitting hardware. Meets ISO 10262 Level I requirements for a canopy machine.



Model	Serial Number Prefix	Part Number	Estimated Install Time
304, 305 CR, 305.5 CR, 306 CR	AN4, 5G5, 5X5, AX6, 6G6	608-7556*	2.5 Hours

* The part number is for reference only. Please see your Cat dealer for the complete list of required parts.

Overhead Cab Guard

Hinged heavy duty top guarding with gas cylinder offers easy access to the top window for cleaning. Meets ISO 10262 Level II requirements.

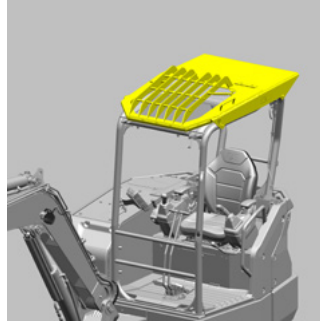


Model	Serial Number Prefix	Part Number	Estimated Install Time
306, 306 CR, 306.5, 307.5, 308 CR, 308 SR, 308.5, 309 CR, 310	GW5, 6W6, 6G6, GW6, GW7, GW8, GG8, GX8, GK8, GZ8, GW9, GG9, GWT	567-4594*	2.5 Hours
304, 305 CR, 305 SR, 305.5 CR	AN4, 5G5, 5X5, 5C5, AX5, AX6	610-2067*	

*Part numbers are for reference only. Please see your Cat dealer for the complete list of required parts.

Overhead Canopy Guard

Hinged heavy duty top guarding with gas cylinder offered for easy access to the top window for cleaning. Meets ISO 10262 Level II requirements.

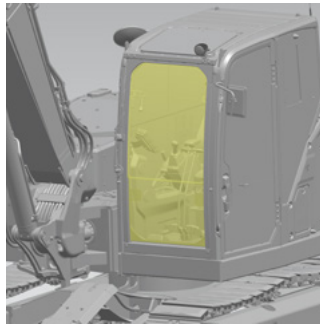


Model	Serial Number Prefix	Part Number	Estimated Install Time
306 CR	6G6	610-2064*	2.5 Hour

*The part number is for reference only. Please see your Cat dealer for the complete list of required parts.

Polycarbonate Window

Polycarbonate front window kit replaces the factory installed tempered glass upper and lower front windows while maintaining full front window functionality.



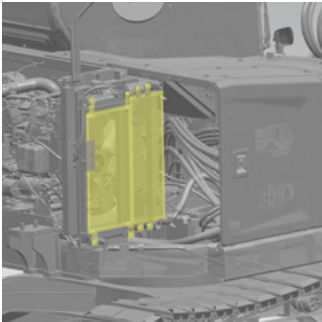
Model	Serial Number Prefix	Part Number	Estimated Install Time
306, 306 CR, 306.5, 307.5, 308 CR, 308 SR, 308.5, 309 CR, 310	GW5, 6W6, 6G6, GW6, GW7, GW8, GG8, GX8, GK8, GZ8, GW9, GG9, GWT	571-3698*	4.0 Hours
304, 305 CR	AN4, 5G5, 5X5		

*Recommended dealer installation.

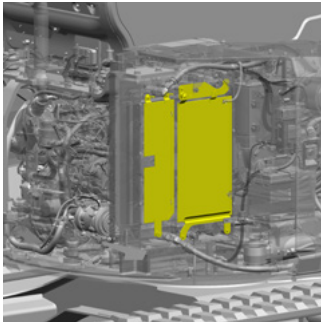
Radiator Screen Guard

Recommended for high dust or fine debris applications. Provides an additional filter that is placed between the radiator and condenser that provides additional air filtering in dusty or dry conditions.

567-4596



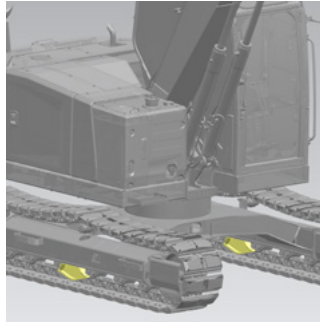
622-8345



Model	Serial Number Prefix	Part Number	Estimated Install Time
306, 306 CR, 306.5, 307.5, 308 CR, 308 SR, 308.5, 309 CR, 310	GW5, 6G6, GW6, GW7, GW8, GG8, GX8, GK8, GZ8, GW9, GG9, GWT	567-4596	1.0 Hour
304, 305 CR, 305.5 CR	AN4, 5G5, 5X5, AX6	622-8345	

Track Guiding, Center Guard

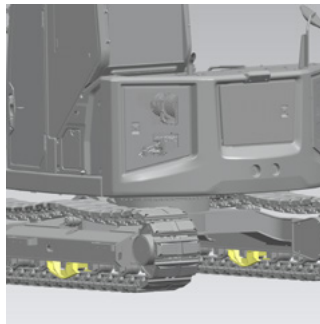
Includes two (2) track guide guards. Recommended for applications on uneven terrain to prevent track slippage. This feature is only offered on the 309 CR Long Undercarriage and the 310 models due to the length of the tracks. On these models, the distance between the sprocket and the track roller frame idler is much further apart versus smaller models, which makes the tracks prone to slipping off if exposed to a “V-Shaped” or sloped applications.



Model	Serial Number Prefix	Part Number	Estimated Install Time
309 CR, 310	GW9*, GG9*, GWT	567-4595	2.0 Hours

*Applies only to models with a long length undercarriage.

Includes two (2) track guide guards. Recommended for applications on uneven terrain to prevent track slippage. This feature is only offered on the 307.5, 308 CR, 308 SR and 308.5 Standard Undercarriage models due to the length of the track. On these models, the distance between the sprocket and the track roller frame idler is much further apart versus smaller models, which makes the tracks prone to slipping off if exposed to a “V-Shape” or sloped applications.



Model	Serial Number Prefix	Part Number	Estimated Install Time
307.5, 308 CR, 308 SR, 308.5	GW7, GW8, GG8, GX8, GK8, GZ8, GW9*, GG9*	575-5745	2.0 Hours

*Applies only to those models with a standard length undercarriage.

MAINTENANCE AND IMPROVEMENT

Fuel Tank Drain

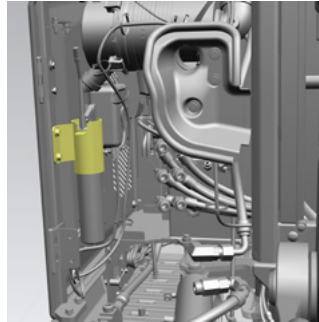
Provides tap and hardware to provide a permanent fuel tank drain port replacing the production plug.

Model	Serial Number Prefix	Part Number	Estimated Install Time
306, 306 CR, 306.5, 307.5, 308 CR, 308 SR, 308.5, 309 CR	GW5, 6W6, 6G6, GW6, GW7, GW8, GG8, GX8, GK8, GZ8, GW9, GG9	621-4975*	0.5 Hour
304, 305 CR	AN4, 5G5		

*Part numbers are for reference only. Please see your Cat dealer for the complete list of required parts.

Grease Gun Holder

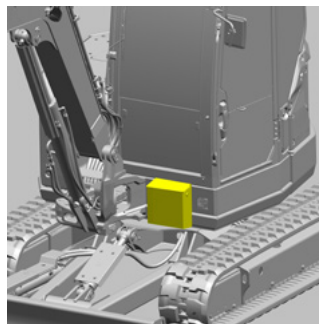
Provides a bracket for a grease gun to be installed behind one of the service doors on the machine.



Model	Serial Number Prefix	Part Number	Estimated Install Time
304, 305 CR	AN4, 5G5, 5X5	600-4380	0.5 Hour

Toolbox

Provides a 11.5" (290 mm) long × 7" (177 mm) wide × 13" (330 mm) deep toolbox and hardware. Fits to the front quarter panel of machines.

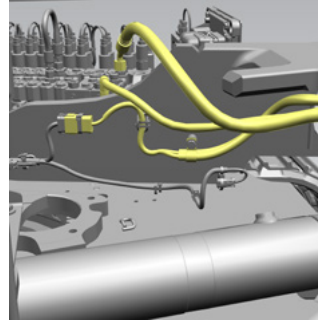
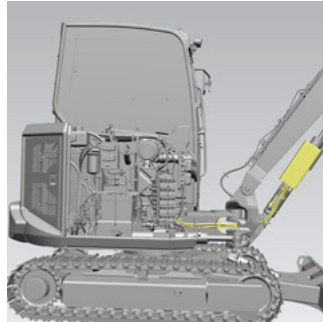


Model	Serial Number Prefix	Part Number	Estimated Install Time
304, 305 CR, 305.5 CR	AN4, 5G5, 5X5, AX6	607-6787	1.5 Hours

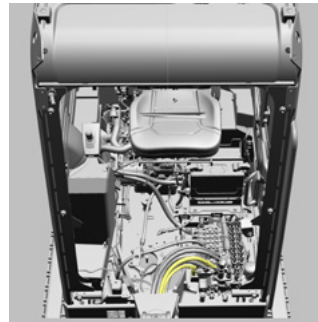
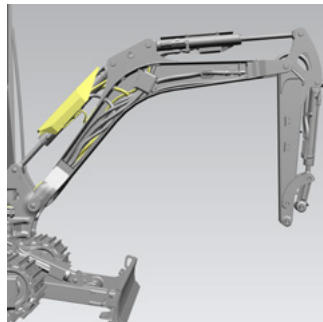
PERFORMANCE AND PRODUCTIVITY

Boom Lowering Control Valve

Check valve and hydraulic lines to add boom lowering check valve to the boom cylinder.



Model	Serial Number Prefix	Part Number	Estimated Install Time
305 CR	5G5, 5X5	607-3546	3.0 Hours
304	AN4	607-3551	
303.5 CR	RE9, CE9, R2E	602-8745	2.5 Hours
303 CR	NXY, MY3	602-8744	
302.7 CR	CZ6, 3C3	602-8743	



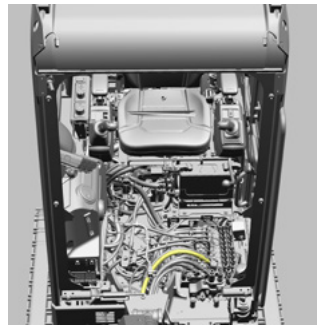
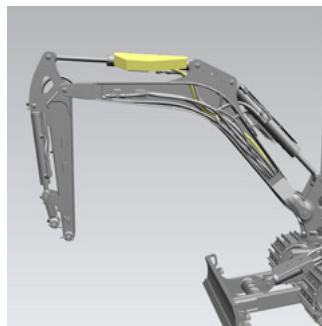
Model	Serial Number Prefix	Part Number	Estimated Install Time
301.8, 302 CR	H8X, RHM	611-4826	2.5 Hours
301.6	MY6	611-4825	
301.5, 301.7 CR	MNH, JH7	611-4824	

Stick Lowering Control Valve

Check valve and hydraulic lines to add stick lowering check valve.



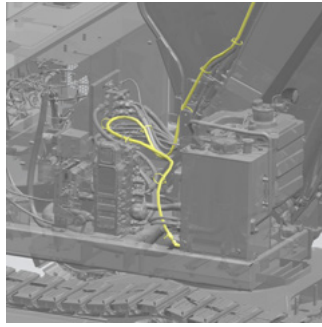
Model	Serial Number Prefix	Part Number	Estimated Install Time
305 CR	5G5, 5X5	607-3548	3.0 Hours
304	AN4	607-3553	
303.5 CR	RE9, CE9, R2E	602-8757	2.5 Hours
303 CR	NXY, MY3	602-8754	
302.7 CR	CZ6, 3C3	602-8752	



Model	Serial Number Prefix	Part Number	Estimated Install Time
301.8, 302 CR	H8X, RHM	611-4829	2.5 Hours
301.6	MY6	611-4828	
301.5, 301.7 CR	MNH, JH7	611-4827	

Case Drain

Provides fittings and necessary hardware, along with instructions to prepare hose lengths to add a case drain to the machine.

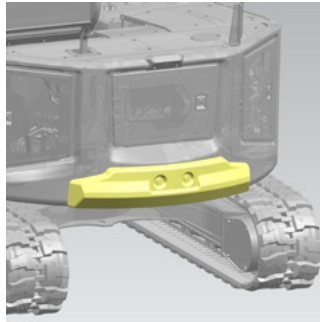


Model	Serial Number Prefix	Part Number	Estimated Install Time
307.5, 308.5, 309 CR, 310	GW7, GW8, GG8, GZ8, GW9, GG9, GWT	609-6155*	2.0 Hours
304, 305 CR, 306, 306 CR, 306.5	AN4, 5G5, 5X5, GW5, 6W6, 6G6, GW6	609-6156*	

*Recommended dealer installation.

Extra Counterweight

Extra counterweight adds more stability and 152 mm (6 inches) more overhang. Kit includes – extra counterweight 250 kg (550 lbs) and hardware.



Model	Serial Number Prefix	Part Number	Estimated Install Time
306 CR, 308 CR, 308 SR, 308.5, 309 CR, 310	6G6, 6WG, GW8, GG8, GX8, GK8, GZ8, GW9, GG9, GWT	561-8205	1.0 Hour

Extra Counterweight (*continued*)

Extra counterweight adds more stability and 76 mm (3 inches) more overhang. Kit includes extra counterweight (240 kg/530 lbs) and hardware.



Model	Serial Number Prefix	Part Number	Estimated Install Time
305 CR	5G5, 5X5	606-8576	1.0 Hour

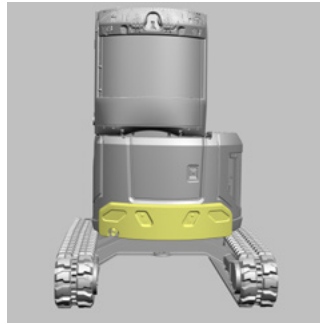
Extra counterweight adds more stability and 76 mm (3 inches) more overhang. Kit includes extra counterweight (225 kg/500 lbs) and hardware.



Model	Serial Number Prefix	Part Number	Estimated Install Time
304	AN4	606-8577	1.0 Hour

Extra Counterweight (*continued*)

Extra counterweight adds more stability and 152 mm (6 inches) more overhang. Kit includes counterweight, muffler extension and hardware.



Model	Serial Number Prefix	Part Number	Estimated Install Time
302.7 CR, 303 CR, 303.5 CR	CZ6, 3C3, NXY, MY3, RE9, CE9, R2E	610-1632	1.25 Hours

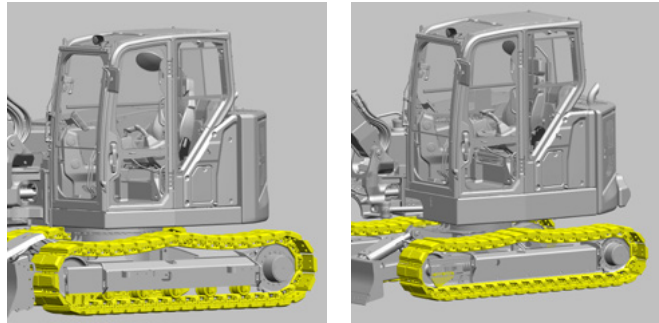
Extra counterweight adds more stability and 60 mm (2.5 inches) more overhang. Kit includes counterweight 100 kg (220 lbs), muffler extension and hardware.



Model	Serial Number Prefix	Part Number	Estimated Install Time
302.7 CR, 303 CR, 303.5 CR	CZ6, 3C3, NXY, MY3 RE9, CE9, R2E	621-6751	1.0 Hour

Steel Track with Rubber Pads

Provides a pair of standard undercarriage pre-assembled track group steel tracks with rubber pads as a conversion from rubber belt or for service replacement. Also includes front guides, rollers and hardware to complete the installation.

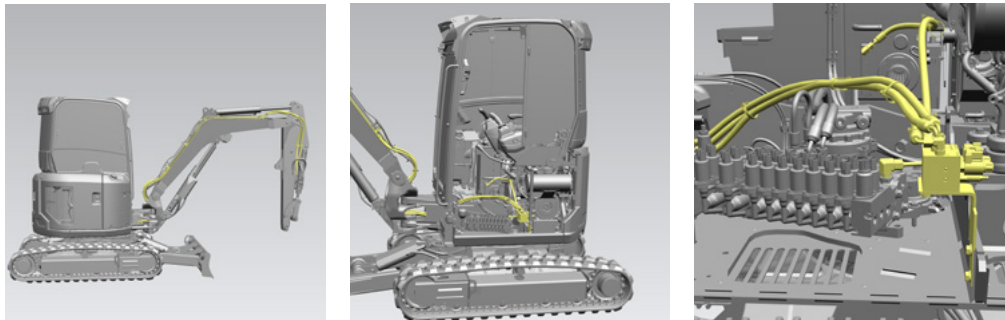


Model	Serial Number Prefix	Part Number	Estimated Install Time
308 CR	GG8, GW8	614-1290*	3.0 Hours
305 CR, 306 CR	5G5, 6G6, 6W6	614-1288*	

*Contact your Cat dealer to place an order for listed kit.

Coupler Control Kit – Long Stick, Cat® Coupler

Kit includes valves, tubes, hoses, and other necessary hardware needed to complete installation of a hydraulic quick coupler for long stick machines. Only for use with the Cat® Coupler. Coupler not included.

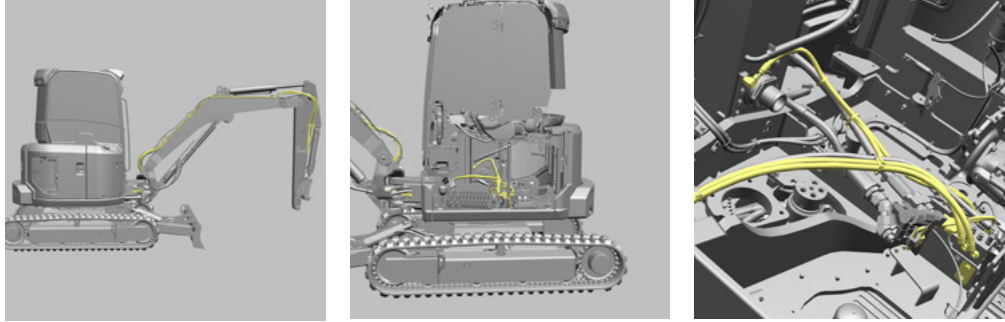


Model	Serial Number Prefix	Part Number	Estimated Install Time
303.5 CR	RE9, CE9, R2E	602-8739*	5.0 Hours
303 CR	NXY, MY3	602-8737*	

*Recommended dealer installation. Requires configuration through monitor unless using a hydraulic locking control system (LCS). If machine is equipped with LCS, Cat Electronic Technician (ET) must be used to complete installation of this kit. Only for use with the Cat Coupler.

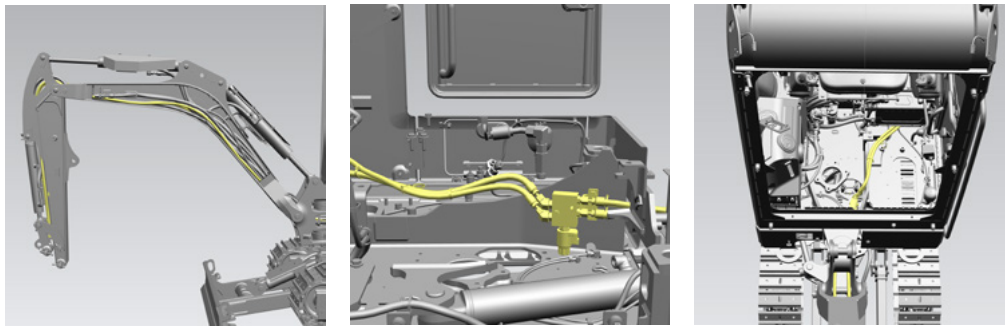
Coupler Control Kit – Long Stick, CW Coupler

Kit includes valves, tubes, hoses, and other necessary hardware needed to complete installation of a hydraulic quick coupler for long stick machines. Only for use with the Cat® CW Coupler. Coupler not included.



Model	Serial Number Prefix	Part Number	Estimated Install Time
303.5 CR	RE9, CE9, R2E	602-8733*	5.0 hours
303 CR	NXY, MY3	602-8732*	
302.7 CR	CZ6, 3C3	602-8730*	

*Recommended dealer installation. Requires configuration through monitor unless using a hydraulic locking control system (LCS). If machine is equipped with LCS, Cat Electronic Technician (ET) must be used to complete installation of this kit. Only for use with the Cat CW Coupler.

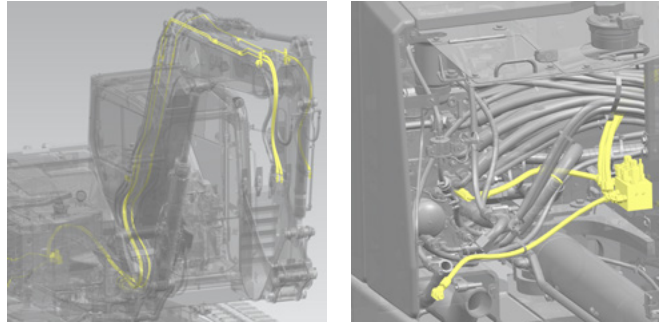


Model	Serial Number Prefix	Part Number	Estimated Install Time
302 CR	RHM	611-4838*	5.0 Hours
301.8	H8X	611-4837*	
301.7 CR	JH7	611-4836*	
301.6	MY6	611-4835*	
301.5	MNH	611-4834*	

*Recommended dealer installation. Requires configuration through monitor unless using a hydraulic locking control system (LCS). If machine is equipped with LCS, Cat Electronic Technician (ET) must be used to complete installation of this kit. Only for use with the Cat CW Coupler.

Hydraulic Coupler Lines Kit – Dual Lock Coupler – Standard Stick

Hydraulic quick coupler lines kit includes valves, tubes, hoses and other necessary hardware needed to complete installation of hydraulic coupler for standard stick machines. Coupler not included. Only for use with Dual Lock Coupler.

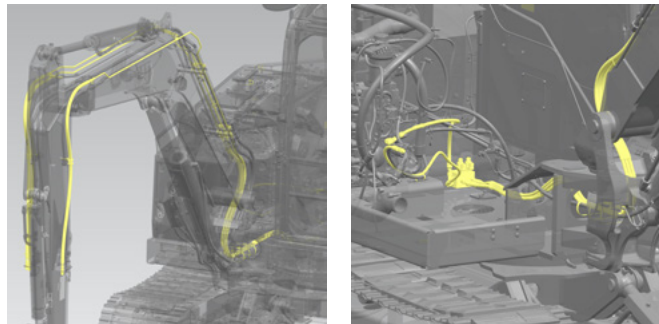


Model	Serial Number Prefix	Part Number	Estimated Install Time
308 CR, 309 CR	GG8, GW8, GG9, GW9	561-8200*	9.0 Hours
307.5	GW7	561-8202*	
306 CR	6G6, 6W6	581-3795*	
305 CR	5G5, 5X5	606-3622*	
304	AN4	606-3624*	

*Recommended dealer installation. Requires configuration through monitor unless using a hydraulic locking control system (LCS). If machine is equipped with LCS, Cat Electronic Technician (ET) must be used to complete installation of this kit.

Hydraulic Coupler Lines Kit – Dual Lock Coupler – Long Stick

Hydraulic quick coupler lines kit includes valves, tubes, hoses and other necessary hardware needed to complete installation of hydraulic coupler for long stick machines. Coupler not included. Only for use with Dual Lock Coupler.

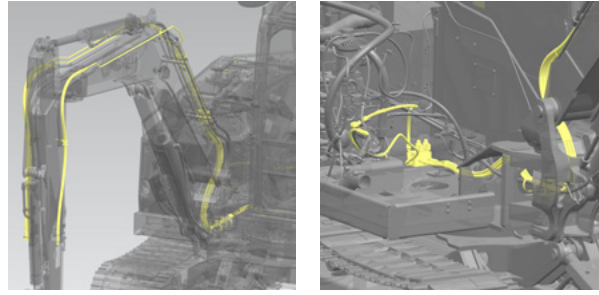


Model	Serial Number Prefix	Part Number	Estimated Install Time
310	GWT	561-8203*	13.25 Hours
308 CR, 309 CR	GG8, GW8, GG9, GW9	561-8201*	9.0 Hours
307.5	GW7	561-8202*	13.25 Hours
306 CR	6G6, 6W6	581-3796*	9.0 Hours
305 CR	5G5, 5X5	606-3623*	8.0 Hours
304	AN4	606-3625*	
303.5 CR	RE9, CE9, R2E	602-8739*	5.0 Hours
303 CR	NXY, MY3	602-8737*	

*Recommended dealer installation. Requires configuration through monitor unless using a hydraulic locking control system (LCS). If machine is equipped with LCS, Cat Electronic Technician (ET) must be used to complete installation of this kit.

Hydraulic Coupler Lines Kit – CW Coupler – Long Stick

Hydraulic quick coupler lines kit includes valves, tubes, hoses and other necessary hardware needed to complete installation of a hydraulic coupler for long stick machines. Coupler not included. Only for use with CW Coupler.

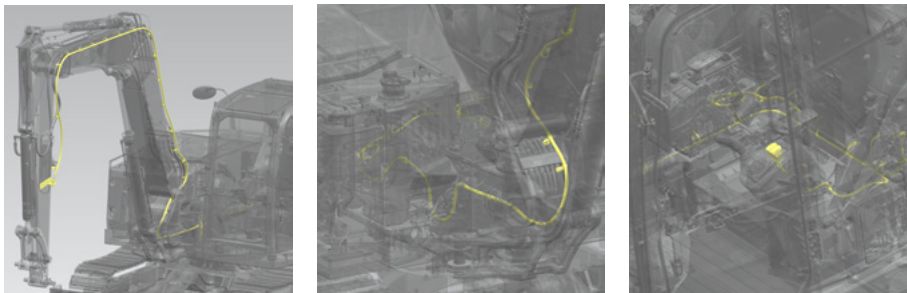


Model	Serial Number Prefix	Part Number	Estimated Install Time
310	GWT	561-8203*	13.25 Hours
308 CR, 309 CR	GG8, GW8, GG9, GW9	561-8201*	9.0 Hours
307.5	GW7	561-8202*	13.25 Hours
306 CR	6G6, 6W6	581-3796*	9.0 Hours
305 CR	5G5, 5X5	606-3623*	8.0 Hours
304	AN4	606-3625*	
303.5 CR	RE9, CE9, R2E	602-8733*	5.0 Hours
303 CR	NXY, MY3	602-8732*	
302.7 CR	CZ6	602-8730*	
302 CR	RHM	611-4838*	
301.8	H8X	611-4837*	
301.7 CR	JH7	611-4836*	
301.6	MY6	611-4835*	
301.5	MNH	611-4834*	

*Recommended dealer installation. Requires configuration through monitor unless using a hydraulic locking control system (LCS). If machine is equipped with LCS, Cat Electronic Technician (ET) must be used to complete installation of this kit.

Mulching Toolkit

Electrical harness to support Cat® HM208 and HM210 Mulchers use. The harness and console switches in the kit provide control to the fore and aft doors on the work tool.

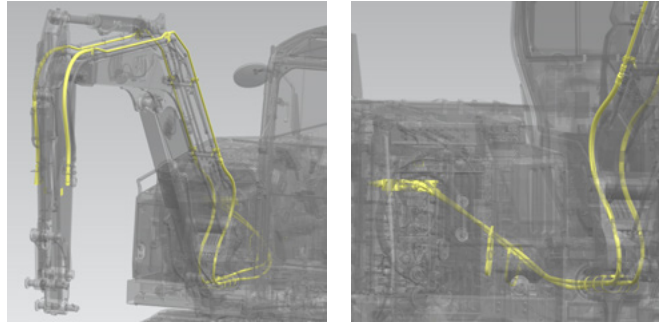


Model	Serial Number Prefix	Part Number	Estimated Install Time
307.5, 308 CR, 308.5, 309 CR, 310	GW7, GW8, GG8, GX8, GZ8, GW9, GG9, GWT	557-5072*	6.0 Hours

*Recommended dealer installation.

Second Auxiliary Hydraulic Lines Kit – Standard Stick

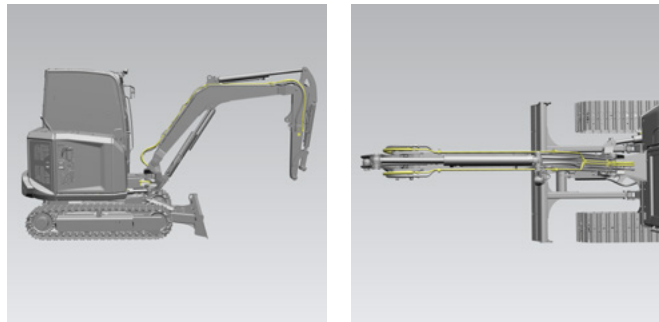
Second auxiliary hydraulic lines kits includes all valves, hoses, and hardware for standard stick equipped machines. Supply, return, and case drain lines are included in this kit. Second auxiliary circuit is primarily used for rotational attachments such as a shear. Second auxiliary is not to be confused with the 1-way and 2-way flow auxiliaries, which already come standard on the machine and will run most attachments.



Model	Serial Number Prefix	Part Number	Estimated Install Time
308 CR, 309 CR	GW8, GG8, GW9, GG9	561-8196*	4.5 Hours
307.5	GW7	561-8198*	12.0 Hours
305 CR	5G5, 5X5	606-3589*	6.0 Hours

*Recommended dealer installation. Requires Cat Electronic Technician (ET) to complete installation of this kit.

Second auxiliary hydraulic lines for standard stick equipped machines. Second auxiliary circuit is primarily used for rotational attachments such as a shear. Second auxiliary is not to be confused with the one-way and two-way flow auxiliaries, which already come standard on the machine and will run most attachments.

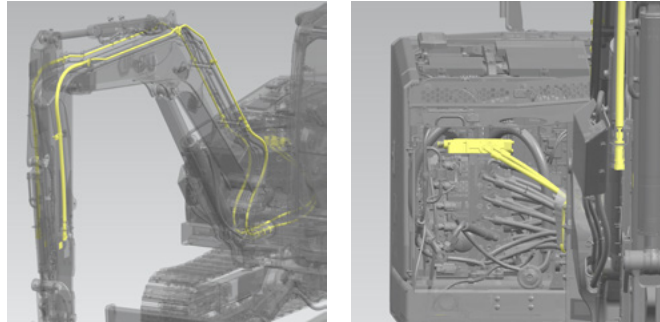


Model	Serial Number Prefix	Part Number	Estimated Install Time
306 CR	6G6, 6W6	581-3793*	9.0 Hours
304	AN4	606-3595*	6.0 Hours

*Recommended dealer installation. Requires Cat Electronic Technician (ET) to complete installation of this kit.

Second Auxiliary Hydraulic Lines Kit – Long Stick

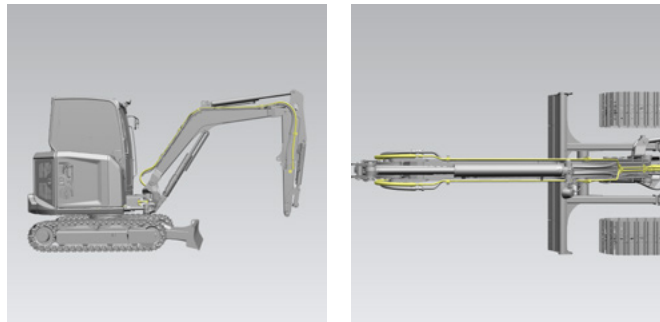
Second auxiliary hydraulic lines kits includes all valves, hoses and hardware for long stick equipped machines. Supply, return, and case drain lines are included in this kit. Second auxiliary circuit is primarily used for rotational attachments such as a shear. Second auxiliary is not to be confused with the 1-way and 2-way flow auxiliaries, which already come standard on the machine and will run most attachments.



Model	Serial Number Prefix	Part Number	Estimated Install Time
310	GWT	561-8199*	12.0 Hours
308 CR, 309 CR	GW8, GG8, GW9, GG9	561-8197*	9.0 Hours
307.5	GW7	561-8198*	12.0 Hours
305 CR	5G5, 5X5	606-3592*	6.0 Hours

*Recommended dealer installation. Requires Cat Electronic Technician (ET) to complete installation of this kit.

Second auxiliary hydraulic lines for long stick equipped machine. Second auxiliary circuit is primarily used for rotational attachments such as a shear. Second auxiliary is not to be confused with the one-way and two-way flow auxiliaries, which comes standard on the machine and will run most attachments.

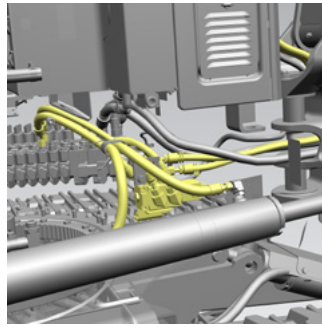


Model	Serial Number Prefix	Part Number	Estimated Install Time
306 CR	6G6, 6W6	581-3794*	4.5 Hours
304	AN4	606-3596*	6.0 Hours

*Recommended dealer installation. Requires Cat Electronic Technician (ET) to complete installation of this kit.

Second Auxiliary Kit – No Lines

Second auxiliary kit includes control valve and internal lines. Does NOT include the hoses on the boom and stick. Second auxiliary circuit is primarily used for rotational attachments such as a shear. Second auxiliary is not to be confused with the 1-way and 2-way flow auxiliaries, which already come standard on the machine and will run most attachments.



Model	Serial Number Prefix	Part Number	Estimated Install Time
303.5 CR	RE9, CE9, R2E	602-8728*	5.0 Hours
303 CR	NXY, MY3	602-8726*	
302.7 CR	CZ6, 3C3	602-8725*	
302 CR	RHM	603-9526*	7.5 Hours
301.8	H8X	603-9525*	
301.7 CR	JH7	603-9524*	
301.6	MY6	603-9523*	
301.5	MNH	603-9522*	

*Recommended dealer installation. Requires Cat Electronic Technician (ET) to complete installation of this kit.

Third Auxiliary Function

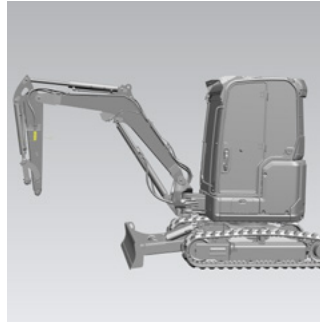
Diverter valve and parts required to provide a third auxiliary function by diverting the bucket cylinder.



Model	Serial Number Prefix	Part Number	Estimated Install Time
303.5 CR	RE9, CE9, R2E	602-8751	2.5 Hours
303 CR	NXY, MY3	602-8749	
302.7 CR	CZ6, 3C3	602-8748	

Screw to Connect Quick Disconnects

Kit includes a male and female screw to connect set, along with protective caps, replacing the standard quick disconnects. These screw to connect disconnects are the “locking style” that prevents the screw from backing off. Two sets are required for machine and attachment connection or one set for the machine side only. Adapters may be required to complete installation.

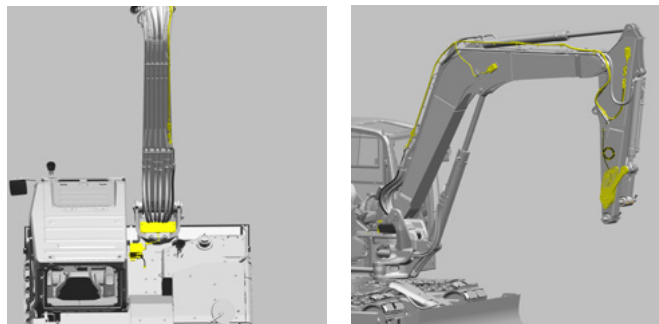


Model	Serial Number Prefix	Part Number	Estimated Install Time
306, 306 CR, 306.5, 307, 308.5, 308 CR, 309 CR, 310	GW5, 6G6, 6W6, GW6, GW7, GZ8, GW8, GG8, GW9, GG9, GWT	611-6997	1.0 Hour
302.7 CR, 303 CR, 303.5 CR, 304, 305 CR	CZ6*, 3C3*, NXY*, MY3*, RE9*, CE9*, R2E*, AN4, 5G5, 5X5		
301.5, 301.6, 301.7 CR, 301.8, 302 CR	MNH, MY6, JH7, H8X, RHM	611-6995	

*Some attachments may require both part numbers.

Ease of Use Hardware

Ease of Use kit provides all hardware and sensors, including the Ease of Use bucket linkage, to enable Indicate and/or E-Fence features. Requires Ease of Use ready machine and advanced monitor. SEA required to enable Indicate (614-8661) and/or E-Fence (614-8662) software.

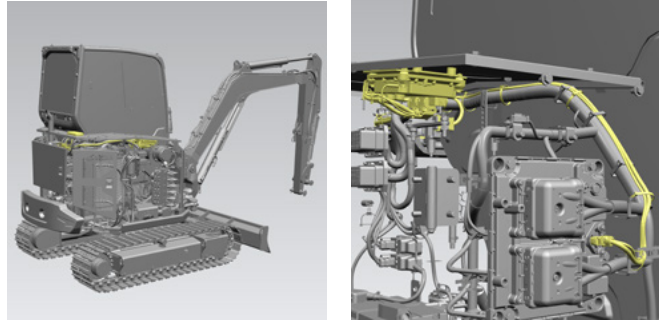


Model	Serial Number Prefix	Part Number	Estimated Install Time
308 CR, 309 CR	GG8, GW8, GG9, GW9	612-1493*	4.0 Hours
306 CR	6G6, 6W6	614-2395*	

*Recommended dealer installation. Requires Cat Electronic Technician (ET) to complete installation of this kit. This kit has software enabled features that must be activated by a Cat dealer. Additional hardware may be required.

Product Link™, PLE643

Product Link Elite series PLE643 upgrade kit, uses cellular networks to transmit location, utilization, health and productivity information for viewing in Product Link user applications. Provides support for remote services, Cat® Production Measurement (CPM) and basic grade control (may be dependent on corresponding machine features). Cellular technology enables more frequent transmission and larger volumes of data.



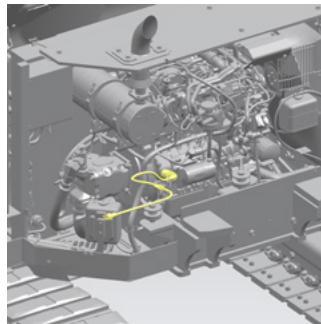
Model	Serial Number Prefix	Part Number	Estimated Install Time
304, 305 CR	AN4, 5G5, 5X5	607-1360*	1.0 Hour

*Recommended dealer installation. Requires Cat Electronic Technician (ET) to complete installation of this kit, only if machine is not equipped with a camera-ready display.

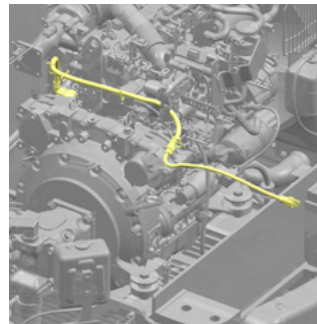
Water Jacket Heater – 120V

Jacket water heater, also known as, engine block heater for increased cold-starting capability. Recommended for applications in temperatures less than -6°C (20°F).

566-6978



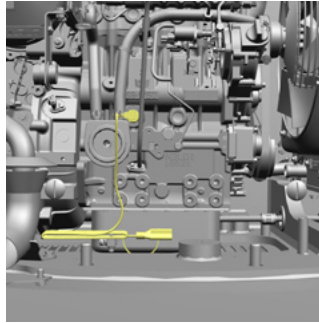
566-6979



Model	Serial Number Prefix	Part Number	Estimated Install Time
308 CR, 308 SR, 308.5, 309 CR, 310	GW8, GG8, GX8, GK8, GZ8, GW9, GG9, GWT	566-6979	1.0 Hour
306, 306 CR, 306.5, 307.5	GW5, 6G6, 6W6, GW6, GW7	566-6978	
302.7 CR, 303 CR, 303.5 CR, 304, 305 CR	CZ6, 3C3, NYX, MY3, RE9, CE9, R2E, AN4, 5G5, 5X5	606-9427	

Water Jacket Heater – 240V

Jacket water heater, also known as, engine block heater for increased cold-starting capability. Recommended for applications in temperatures less than -6°C (20°F).

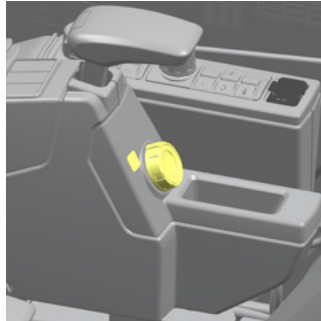


Model	Serial Number Prefix	Part Number	Estimated Install Time
302.7 CR, 303 CR, 303.5 CR, 304, 305 CR	AN4, 5G5, 5X5, CZ6, 3C3, NXY, MY3, RE9, CE9, R2E	606-9428	1.0 Hour

SECURITY

Push to Start Security System

Parts required to convert a key start system to a push to start system.



Model	Serial Number Prefix	Part Number	Estimated Install Time
306, 306 CR, 306.5, 307.5, 308 CR, 308 SR, 308.5, 309 CR, 310	GW5, 6G6, 6W6, GW6, GW7, GW8, GG8, GX8, GK8, GZ8, GW9, GG9, GWT	561-8108*	2.25 Hours
301.5, 301.6, 301.7 CR, 301.8, 302 CR, 302.7 CR, 303 CR, 303.5 CR, 304, 305 CR, 305.5 CR	MNH, JH7, MY6, H8X, RHM, CZ6, 3C3, NXY, MY3, RE9, CE9, R2E, AN4, 5G5, 5X5, AX6		

*Recommended dealer installation. This kit has software enabled features that must be activated by a Cat dealer. The part number provided is for reference only. Individual parts must be ordered from the parts network.

SAFETY AND VISIBILITY

LED Lights

Four (4) forward facing LED adjustable work lights (cab, frame and boom mounted) provide brighter work site illumination, cooler, more resistant to vibration and longer life versus halogen lights. Includes all required components to change halogen installed lights to LED lights on the boom and on the front of cab machines.



Model	Serial Number Prefix	Part Number	Estimated Install Time
307.5, 308 CR, 308.5, 309 CR, 310	GW7, GW8, GG8, GX8, GZ8, GW9, GG9, GWT	561-8098	1.0 Hour
306, 306 CR, 306.5	GW5, 6G6, 6W6, GW6	581-3808	1.0 Hour

LED Lights – Front and Rear

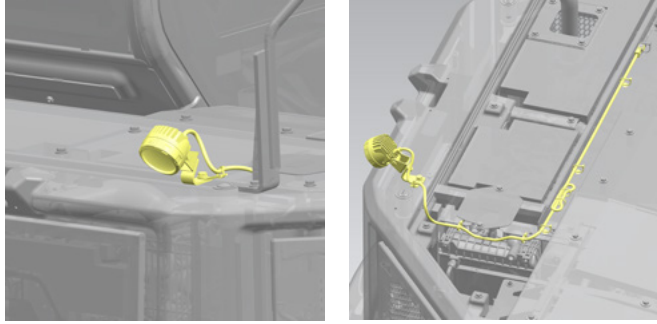
Kit includes two (2) front and one (1) rear LED flood lights for brighter work site illumination, cooler, more resistant to vibration and longer life.



Model	Serial Number Prefix	Part Number	Estimated Install Time
301.5, 301.6, 301.7 CR, 301.8, 302 CR, 302.7 CR, 303 CR, 303.5 CR	MNH, JH7, MY6, H8X, RHM, CZ6, 3C3, NXY, MY3, RE9, CE9, R2E	609-9304	1.5 Hours

Rear Lights

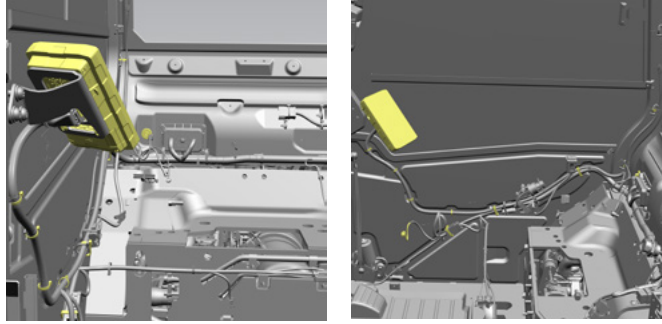
One (1) rear facing LED adjustable work light (frame mounted). Includes the harness and all necessary hardware. Highly recommended when equipped with a rear-view camera.



Model	Serial Number Prefix	Part Number	Estimated Install Time
306, 306 CR, 306.5, 307.5, 308 CR, 308 SR, 308.5, 309 CR, 310	GW5, 6G6, 6W6, GW6, GW7, GW8, GG8, GX8, GK8, GZ8, GW9, GG9, GWT	561-8104	1.0 Hour
304, 305 CR	AN4, 5G5, 5X5	609-1121	0.5 Hour

Advanced Display

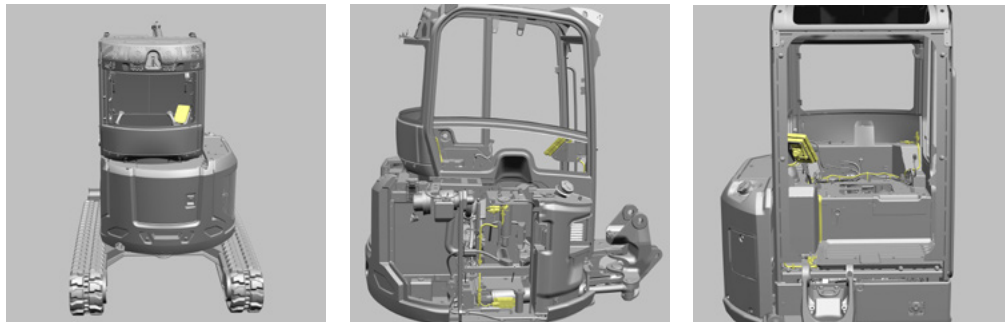
Advanced 203 mm (8-inch) touch screen monitor includes site reference, HD screen for camera usage. Includes C8 display and IMU for site reference. For cab only machines, not available on canopy machines.



Model	Serial Number Prefix	Part Number	Estimated Install Time
306, 306 CR, 306.5, 307.5, 308 CR, 308 SR, 308.5, 309 CR, 310	GW5, 6G6, 6W6, GW6, GW7, GW8, GG8, GX8, GK8, GZ8, GW9, GG9, GWT	607-1348*	3.0 Hours
304, 305 CR	AN4, 5G5, 5X5		

*Recommended dealer installation. Requires Cat Electronic Technician (ET) to complete installation of this kit. This is not a complete kit. See your Cat dealer and reference Special Instructions document M0135389 for the machine specific harness needed to complete installation.

Advanced 203 mm (8-inch) touch screen monitor includes site reference, HD camera image. Includes all required hardware.

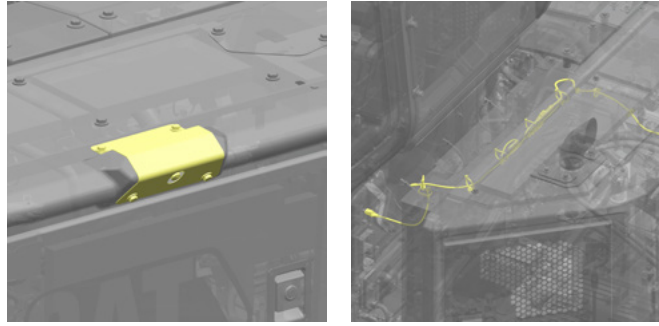


Model	Serial Number Prefix	Part Number	Estimated Install Time
302.7 CR, 303 CR, 303.5 CR	CZ6, 3C3, NXY, MY3, RE9, CE9, R2E	608-2913*	2.5 Hours

*Recommended dealer installation. Requires Cat Electronic Technician (ET) to complete installation of this kit.

Rear View Camera

Rear view camera includes the required harness, mounting plate, and all hardware.



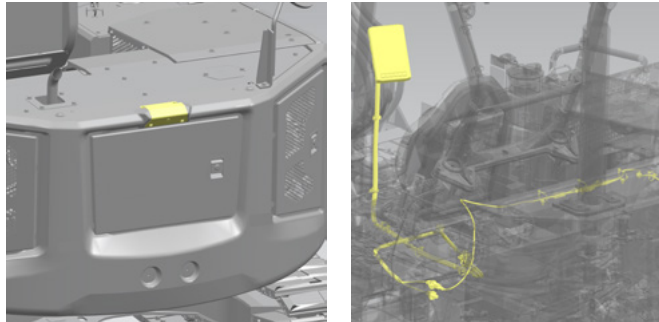
Model	Serial Number Prefix	Part Number	Estimated Install Time
307.5, 308 CR, 308 SR, 308.5, 309 CR, 310	GW7, GW8, GG8, GX8, GK8, GZ8, GW9, GG9, GWT	561-8101*	2.0 Hours
306, 306 CR, 306.5	GW5, 6G6, 6W6, GW6	581-3800*	
304, 305 CR	AN4, 5G5, 5X5	607-0310**	1.0 Hour
302.7 CR, 303 CR, 303.5 CR	CZ6, 3C3, NXY, MY3, RE9, CE9, R2E	602-8722**	1.25 Hours

*Requires a camera-ready display to be installed.

**Recommended dealer installation. Requires Cat Electronic Technician (ET) to complete installation of this kit.

Rear View Camera, Canopy

Rear view camera includes Camera Ready Monitor, with required harness, mounting plate, and all necessary hardware.

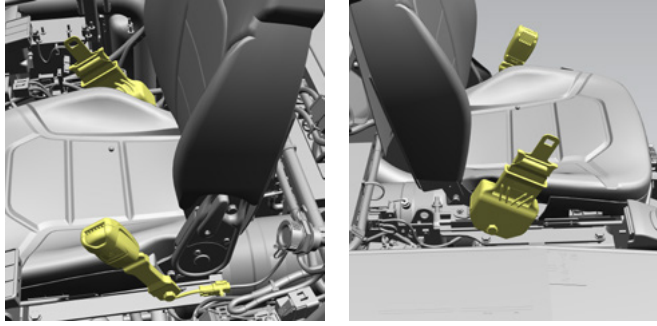


Model	Serial Number Prefix	Part Number	Estimated Install Time
306 CR	6G6, 6W6	557-5114*	3.5 Hours

*Recommended dealer installation. This kit has software enabled features that must be activated by a Cat dealer and requires the monitor display to be installed.

Seatbelt Reminder Alarm

Kit to add a seatbelt indicate receptacle for a 76.2 mm (3 inch) retractable seatbelt.

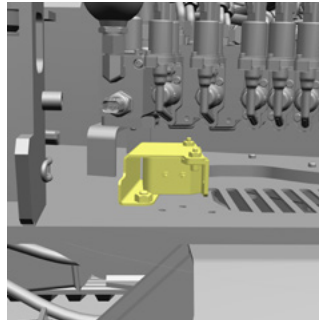


Model	Serial Number Prefix	Part Number	Estimated Install Time
306, 306 CR, 306.5, 307.5, 308 CR, 308 SR, 308.5, 309 CR, 310	GW5, 6G6, 6W6, GW6, GW7, GW8, GG8, GX8, GK8, GZ8, GW9, GG9, GWT	614-7518*	1.0 Hour
301.5, 301.6, 301.7 CR, 301.8, 302 CR, 302.7 CR, 303 CR, 303.5 CR, 304, 305 CR, 305.5 CR	MNH, JH7, MY6, H8X, RHM, CZ6, 3C3, NXY, MY3, RE9, CE9, R2E, AN4, 5G5, 5X5, AX6		

*Recommended dealer installation. Requires Cat Electronic Technician (ET) to complete installation of this kit.

Travel Alarm

Provides all necessary components needed to add a machine travel alarm.



Model	Serial Number Prefix	Part Number	Estimated Install Time
302.7 CR, 303 CR, 303.5 CR	CZ6, 3C3, NXY, MY3, RE9, CE9, R2E	610-1631*	1.25 Hours
301.5, 301.6, 301.7 CR, 301.8, 302 CR	MNH, JH7, MY6, H8X, RHM	611-4839*	

*Recommended dealer installation. Requires Cat Electronic Technician (ET) to complete installation of this kit.

AEXQ3124-05
Replaces AEXQ3124-04
June 2024
(Global)

© 2024 Caterpillar. All Rights Reserved. CAT, CATERPILLAR, LET'S DO THE WORK, their respective logos, "Caterpillar Corporate Yellow," the "Power Edge" and Cat "Modern Hex" trade dress as well as corporate and product identity used herein, are trademarks of Caterpillar and may not be used without permission.

