



# Cat<sup>®</sup>

## CB34B, CB36B, CC34B

### UTILITY COMPACTORS

#### FEATURES:

##### ■ Simple Operation

- Easy access due to logically placed handles and lower platform height
- Sliding seat and spacious platform provide comfort and control
- Dual propel lever option enhances control from either side
- Intuitive, multi-function control panel with vandal protection enables good performance
- Easy viewing LCD display and vibrant LED lights on the control panel simplify operation for both day and night operation
- Easy folding ROPS and canopy, can be lowered without tools

##### ■ Efficient Compaction Performance

- Excellent drum-edge visibility due to longitudinal engine mount and narrow frame design; improves control for better coverage and compaction results
- High amplitude and two frequency selections deliver excellent compaction results and lower sound levels
- 50 mm (2") drum offset capability enhances control near curbs and other obstacles while offering more coverage
- Ballast options increase flexibility and compaction performance
- Extended 3 year/3,000 hour vibratory drum maintenance interval minimizes lifetime operating costs
- CC34B is equipped with pneumatic tires that provide a kneading action for a tight mat finish

##### ■ Best-in-Class Water Spray System

- 308 L (81 gal) water tank can last up to 10 hours without refilling  
\* Note: CC34B water tank capacity is 241 L (64 gal)
- Variable spray modes optimize water usage
- Triple filtration delivers reliable performance and simplifies service
- Self-adjusting, spring-loaded scrapers keep the drum clean, distribute water, and lower water consumption
- Anti-freeze option provides protection in cool weather
- Single drain port simplifies service requirements

##### ■ Optimized Power

- Powerful Cat<sup>®</sup> C2.2 engine
- Eco-mode and electronic engine control reduces fuel consumption
- Traction control option, pin-on design offers quick installation
- Fast travel speed of 13.5 kph (8 mph) for good mobility

##### ■ Designed for Rental

- Easy operation with intuitive controls
- Extensive legroom to suit a variety of operators
- Durable components maximize uptime and lower lifetime operating costs
- Fuel efficient engine
- Low sound levels for nighttime operation
- Product Link<sup>™</sup> ready for simple remote monitoring

- 1 Intuitive Console with LCD Display
- 2 Narrow Frame Design Enhances Visibility
- 3 Eco-mode
- 4 Roomy Operating Environment
- 5 Dual Propel Lever (Option)
- 6 Ballast Addition (Option)
- 7 50 mm (2") Drum Offset
- 8 Reliable Water Spray System
- 9 Foldable ROPS and Canopy (Options)



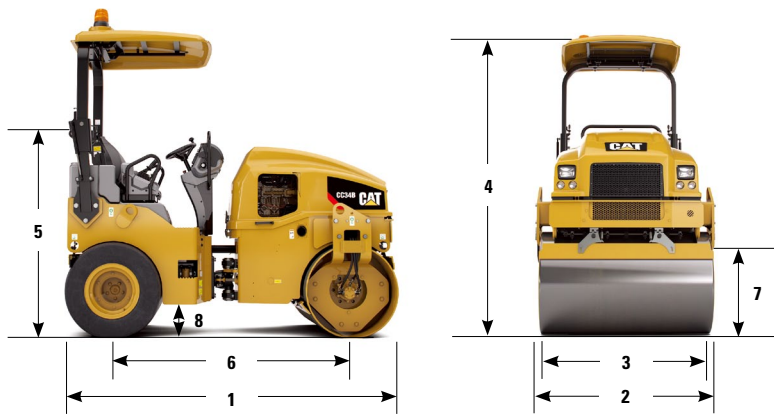
# CB34B, CB36B, CC34B Utility Compactors

## Specifications

|                                  |      | CB34B               | CB34B<br>w/Ballast           | CB36B        | CB36B<br>w/Ballast | CC34B         |
|----------------------------------|------|---------------------|------------------------------|--------------|--------------------|---------------|
| Cat C2.2 Engine - kW (hp)        |      |                     | 36.4 (48.8)* / 36.6 (49.1)** |              |                    |               |
| Operating Weight - kg (lb)       |      | 3700 (8,157)        | 4099 (9,036)                 | 3803 (8,385) | 4400 (9,700)       | 3378 (7,446)  |
| Maximum Weight - kg (lb)         |      | 3913 (8,626)        | 4313 (9,508)                 | 4017 (8,856) | 4590 (10,119)      | 3,592 (7,918) |
| Static Linear Load - kg/cm (pli) |      | 13.2 (80)           | 14.6 (88)                    | 13.6 (76)    | 15.7 (95)          | 12.0 (73)     |
| Amplitude - mm (in)              |      | 0.50 (0.020)        |                              |              |                    |               |
| Frequency - Hz (vpm)             |      | 55/48 (3,300/2,880) |                              |              |                    |               |
| Centrifugal Force - kN (lbf)     | High | 33.9 (7,621)        | 33.9 (7,621)                 | 35.9 (8,071) | 35.9 (8,071)       | 33.9 (7,621)  |
|                                  | Low  | 25.9 (5,823)        | 25.9 (5,823)                 | 27.4 (6,160) | 27.4 (6,160)       | 25.9 (5,823)  |

\* Meets U.S. EPA Tier 4 Final emissions

\*\* Meets emissions equivalent to U.S. EPA Tier 4 Interim and EU Stage IIIA standards; Note: EU Stage IIIB emissions standards do not apply to this power ratings class



## OPTIONAL EQUIPMENT

- Antifreeze ready, (water spray)
- Ballast
- Battery disconnect switch
- Bio-hydraulic oil
- Canopy, fixed
- Canopy, folding
- Cup holders
- Dual propel levers
- LED Lights
- Non-suspension seat
- Product Link
- ROPS, fixed
- ROPS, foldable
- Suspension seat w/safety switch
- Sliding seat
- Traction control (not available on CC34B)

## Dimensions

|   | CB34B        | CB36B        | CC34B        |
|---|--------------|--------------|--------------|
| <b>1</b> Overall length - mm (in)                     | 2859 (113)   | 2859 (113)   | 2859 (113)   |
| <b>2</b> Overall width - mm (in)                      | 1400 (55)    | 1500 (59)    | 1400 (55)    |
| <b>3</b> Drum width - mm (in)                         | 1300 (51)    | 1400 (55)    | 1300 (51)    |
| Drum offset - mm (in)                                 | 50 (2)       | 50 (2)       | 50 (2)       |
| Drum shell thickness - mm (in)                        | 16 (0.6)     | 16 (0.6)     | 16 (0.6)     |
| Drum diameter - mm (in)                               | 800 (32)     | 800 (32)     | 800 (32)     |
| <b>4</b> Height at ROPS/FOPS wo/canopy - mm (in)      | 2660 (105)   | 2660 (105)   | 2660 (105)   |
| Height at ROPS/FOPS w/canopy - mm (in)                | 2765 (109)   | 2765 (109)   | 2765 (109)   |
| <b>5</b> Transport Height (w/foldable ROPS) - mm (in) | 1930 (76)    | 1930 (76)    | 1930 (76)    |
| <b>6</b> Wheelbase - mm (in)                          | 2050 mm (81) | 2050 mm (81) | 2050 mm (81) |
| <b>7</b> Curb clearance - mm (in)                     | 520 mm (20)  | 520 mm (20)  | 520 mm (20)  |
| <b>8</b> Ground clearance - mm (in)                   | 284 mm (11)  | 284 mm (11)  | 284 mm (11)  |

For more complete information on Cat products, dealer services, and industry solutions, visit us on the web at [www.cat.com](http://www.cat.com)

QEHQ1700-06 (10/15)

Materials and specifications are subject to change without notice. Featured machines in photos may include additional equipment.

©2015 Caterpillar Inc.  
All Rights Reserved.

CAT, CATERPILLAR, ACERT, SAFETY.CAT.COM, their respective logos, "Caterpillar Yellow" and the "Power Edge" trade dress, as well as corporate and product identity used herein, are trademarks of Caterpillar and may not be used without permission.

