



## **OPTIONS AND ACCESSORIES KIT GUIDE**

### **FOR COMPACT TRACK, SKID STEER AND MULTI TERRAIN LOADERS**

COMPACT TRACK LOADER (CTL) MODELS: 239, 249, 259, 279, 289, 299

SKID STEER LOADER (SSL) MODELS: 226, 232, 236, 242, 246, 262, 272

MULTI TERRAIN LOADER (MTL) MODELS: 257, 277, 287, 297

**SERIES: D, D2, and D3**



**Option/Accessory.....Page Number**

**COMFORT AND CONVENIENCE..... 3-11**

A/C Conversion (from Heater only)..... 3  
 A/C and Heat..... 4  
 Heat Only..... 5  
 Cab Fan Mounting..... 5  
 Cell Phone Mount..... 6  
 Front Door – Glass..... 6  
 Front Door – Polycarbonate..... 7  
 Side Windows..... 7  
 Hand and Foot Controls Conversion..... 8  
 High Magnetic Field Joystick Kit..... 8  
 Hinges – Front Door..... 9  
 Hydraulic Coupler..... 10  
 Radio (AM/FM/Bluetooth with Microphone)..... 10  
 Radio Ready (No Radio)..... 11  
 Remote Greasing Kit – Coupler Pins..... 11

**EMISSIONS AND REGULATIONS..... 12-14**

Front Rooding Lights..... 12  
 Rear Rooding Lights..... 13  
 Rear Rooding Lights (Wide Extension)..... 13  
 Rooding Conversion..... 14  
 Rooding License Plate..... 14

**SAFETY AND VISIBILITY..... 15-18**

Advanced Display..... 15  
 Cab Fire Extinguisher Mount..... 15  
 Fire Suppression System..... 16  
 LED Lights..... 17  
 LED Side Lights..... 17  
 Front Camera and Monitor..... 18  
 Rear Camera..... 18

**GUARDING..... 19-27**

Compact Track Loader Drive Line Guards..... 19  
 Debris Kit (Machine Enclosure)..... 20  
 Exhaust Wraps..... 21  
 Turbocharger Guard..... 21  
 Falling Object Protection System (FOPS) Level 2..... 22  
 FOPS Level 2 with 4 Point Lift..... 22  
 4 Point Lift..... 23  
 Fenders..... 23  
 Guarding (Lights and  
     Auxiliary Hydraulic Connectors)..... 24  
 Guards (Lights, Auxiliary Hydraulic Connectors,  
     and Work Tool Coupler)..... 24  
 Work Tool Coupler Guard..... 25  
 Rear Bumper..... 25  
 Rear Door Grill Replacement..... 26  
 Rear Door Guard..... 26  
 Self Level Sensor and  
     Electric Quick Coupler Harness Guard..... 27  
 Single Point Lift..... 27

**Option/Accessory.....Page Number**

**MAINTENANCE IMPROVEMENT..... 28-31**

A/C Breather (HVAC Snorkel)..... 28  
 Battery Disconnect..... 28  
 Coolant Drain..... 29  
 Engine Air Pre-Cleaner..... 30  
 Hydraulic Oil and Fuel Fill Lockable Door..... 31  
 Track Removal and Install Tool (Track Bar System)..... 31

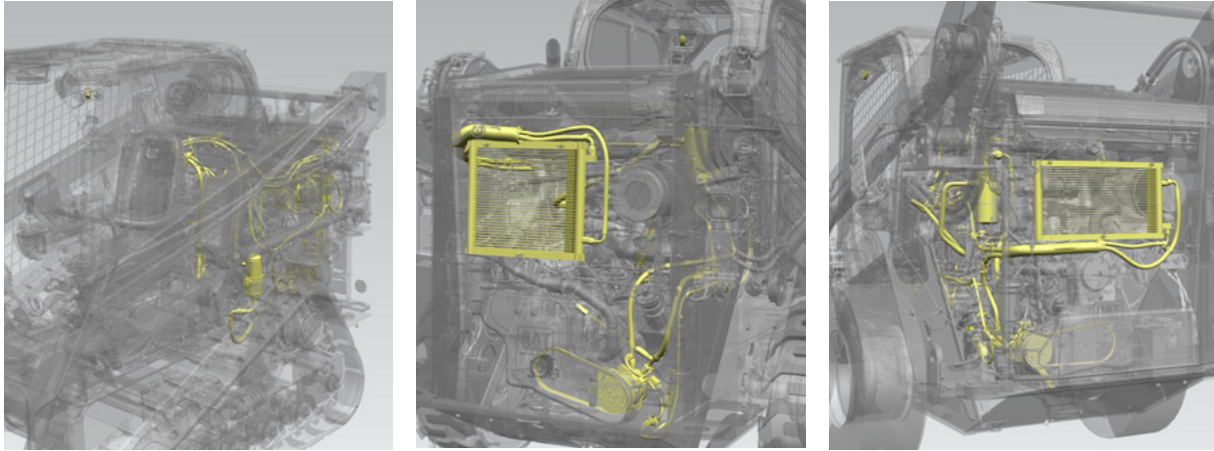
**PERFORMANCE AND PRODUCTIVITY..... 32-45**

Auxiliary Cooler..... 32  
 Axle Stop – CTL and MTL Torsion Axle Stops..... 32  
 Counterweights..... 33  
 Dual Self Level..... 34  
 Engine Speed Control Pedal..... 36  
 External Fuel Tanks..... 36  
 Heated Breather Lines..... 37  
 High Flow..... 37  
 Jacket Water Heater/Block Heater..... 38  
 Product Link™ PL 641..... 38  
 Reversing Fan..... 39  
 Ride Control..... 40  
 Flat Face Quick Disconnects (QD)..... 41  
 Screw to Connect Quick Disconnects..... 41  
 Water Tank..... 42  
 Winter Door Cover..... 43  
 Work Tool Control Harness..... 44  
 Work Tool Harness and Joystick..... 45

# COMFORT AND CONVENIENCE

## A/C Conversion (from Heater only)

Provides components needed to convert a machine with a heater unit to also have air conditioning. Includes compressor, condenser, fan assembly, accumulator, A/C lines, v-belt, seals, and hardware.

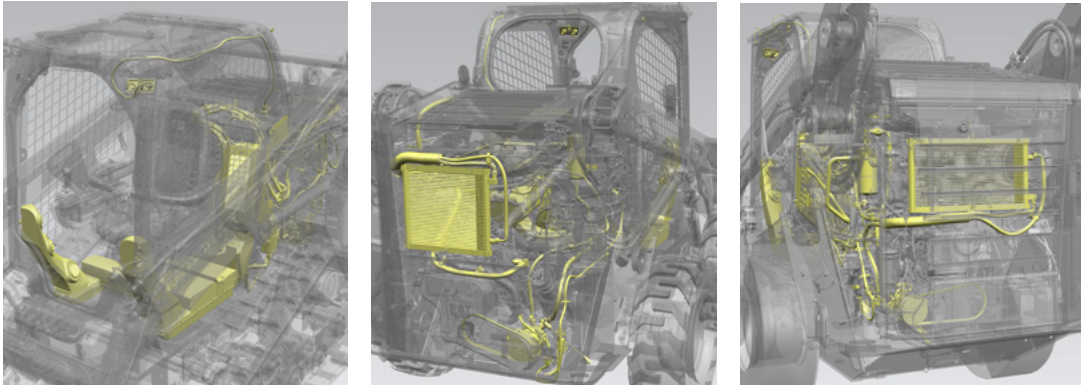


Product	Model	Series	Part Number	Estimated Install Time
SSL, CTL	226, 232, 239, 249	D, D3	421-0357	Recommended Dealer Install
SSL, MTL, CTL	236, 242, 257, 259	D, D3	563-7575	
SSL, MTL, CTL	246, 262, 277, 279, 287, 289	D, D3	563-7574	
SSL, MTL, CTL	272, 297, 299	D2, D3	563-6358	
SSL, CTL	272, 299	D3	603-8908	



## A/C and Heat

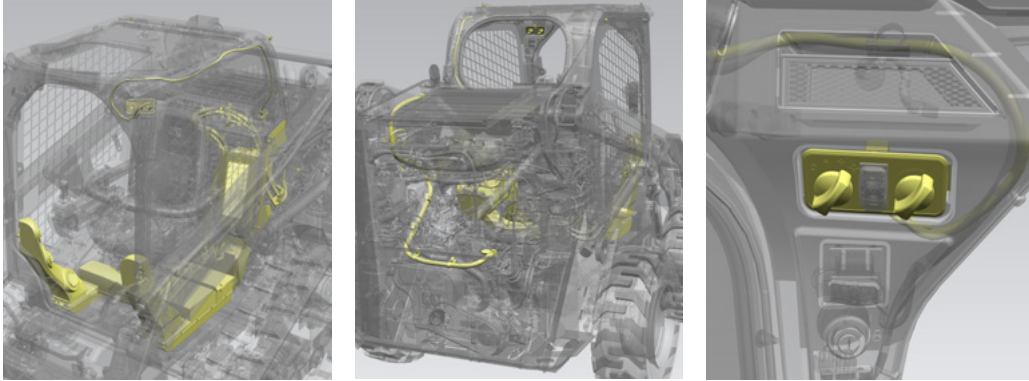
Provides components needed to install a full heater and air conditioning system. Includes evaporator and heater unit, compressor, condenser, harness, ductwork, fan assembly, accumulator, a/c lines, heater lines, v-belt, seals, and hardware. Refrigerant not included.



Product	Model	Series	Part Number	Estimated Install Time
SSL, CTL	226, 232, 239, 249	D, D3	508-1863	Recommended Dealer Install
SSL, MTL, CTL	236, 242, 257, 259	D, D3	540-9331	
SSL, MTL, CTL	246, 262, 277, 279, 287, 289	D, D3	540-9334	
SSL, MTL, CTL	272, 297, 299	D2, D3	540-9333	
SSL, CTL	272, 299	D3	603-8907	

## Heat Only

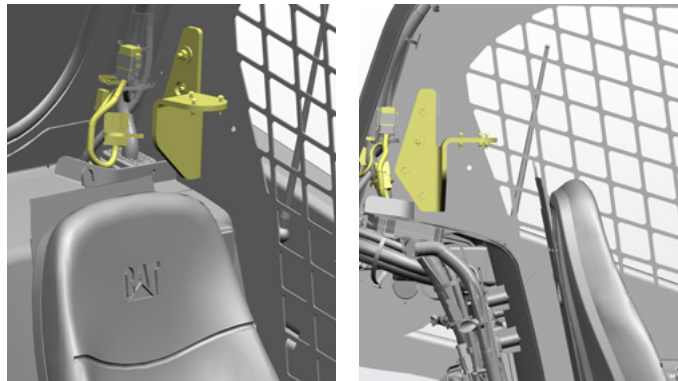
Provides components needed to install a heater system. Includes heater unit, harness, ductwork, heater lines, seals, control knobs, and hardware.



Product	Model	Series	Part Number	Estimated Install Time
SSL, CTL	226, 232, 239, 249	D, D3	509-5548	Recommended Dealer Install
SSL, MTL, CTL	236, 242, 257, 259	D, D3	540-9340	
SSL, MTL, CTL	246, 262, 277, 279, 287, 289	D, D3	540-9328	
SSL, MTL, CTL	272, 297, 299	D2, D3	540-9332	

## Cab Fan Mounting

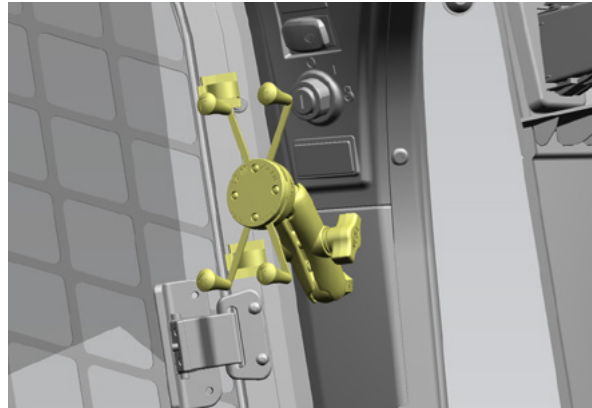
Provides components to mount a circulating fan in the cab. Kit includes the mounting bracket, harness, and hardware (fan not included).



Product	Model	Series	Part Number	Estimated Install Time
SSL, MTL, CTL	All	D, D2, D3	607-0494	1.5 Hours

## Cell Phone Mount

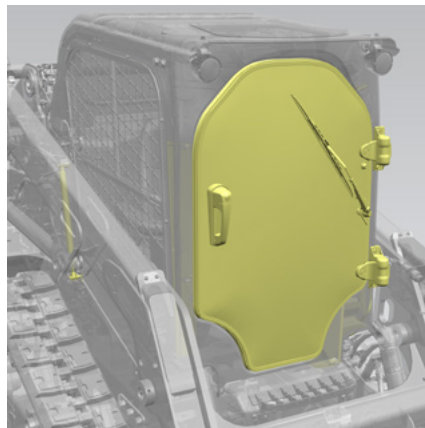
The spring-loaded phone holder features an 'X' design that expands and contracts to provide a perfect fit for your device. Holder is made of powder-coated, marine-grade aluminum, stainless steel components, and high-strength composite for durability.



Product	Model	Series	Part Number	Estimated Install Time
SSL, MTL, CTL	All	D, D2, D3	605-4399	0.5 Hour

## Front Door – Glass

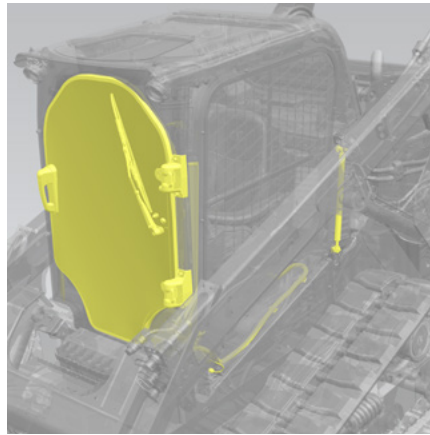
Glass front door kit to convert an open canopy machine into an enclosed cab machine. Includes glass door, seal, hinges, latch, emergency release handles, post covers, wiper assembly, washer bottle, cab struts, and hardware. Side windows sold separately.



Product	Model	Series	Part Number	Estimated Install Time
SSL, MTL, CTL	226, 232, 236, 239, 242, 249, 257, 259, 272, 297, 299	D, D2, D3	594-5976	1.5 Hours
SSL, MTL, CTL	246, 262, 277, 279, 287, 289	D, D3	594-5978	

## Front Door – Polycarbonate

Polycarbonate front door kit to convert an open canopy machine into an enclosed cab machine. Includes glass door, seal, hinges, latch, emergency release handles, post covers, wiper assembly, washer bottle, cab struts, and hardware. Side windows sold separately.

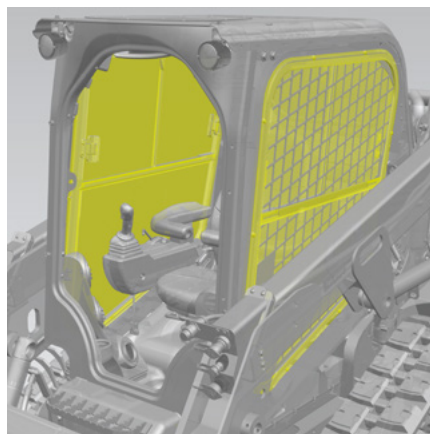


Product	Model	Series	Part Number	Estimated Install Time
SSL, MTL, CTL	226, 232, 236, 239, 242, 249, 257, 259, 272, 297, 299	D, D2, D3	594-5977	1.5 Hours
SSL, MTL, CTL	246, 262, 277, 279, 287, 289	D, D3	594-5979	

## Side Windows

Side window kit to convert an open canopy machine into an enclosed cab machine. Includes right and left side windows, window frames, latches, and hardware. Front door sold separately.

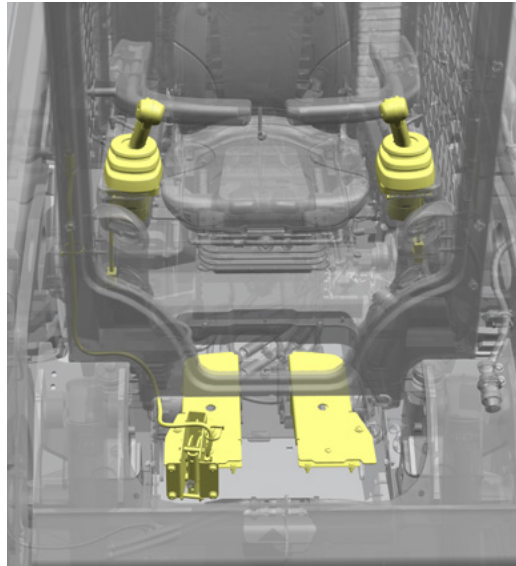
**NOTE:** 435-8780 Side Windows Seal Kit is also available as a repair option.



Product	Model	Series	Part Number	Estimated Install Time
SSL, MTL, CTL	All	D, D2, D3	388-8275	1.0 Hour

## Hand and Foot Controls Conversion

Provides all required components to permanently convert the machine control pattern **from** the hand and foot controls **to** ISO controls.



Product	Model	Series	Part Number	Estimated Install Time
SSL, MTL, CTL	226, 232, 236, 239, 242, 246, 249, 257, 259, 262, 277, 279, 287, 289	D	533-5187	Recommended Dealer Install
SSL, MTL, CTL	236, 239, 242, 246, 249, 257, 259, 262, 279, 289	D3	583-6486	

## High Magnetic Field Joystick Kit

Provides components to allow the machine to work in an environment with a high magnetic field. Recommended for use in steel mill and aluminum smelting applications.

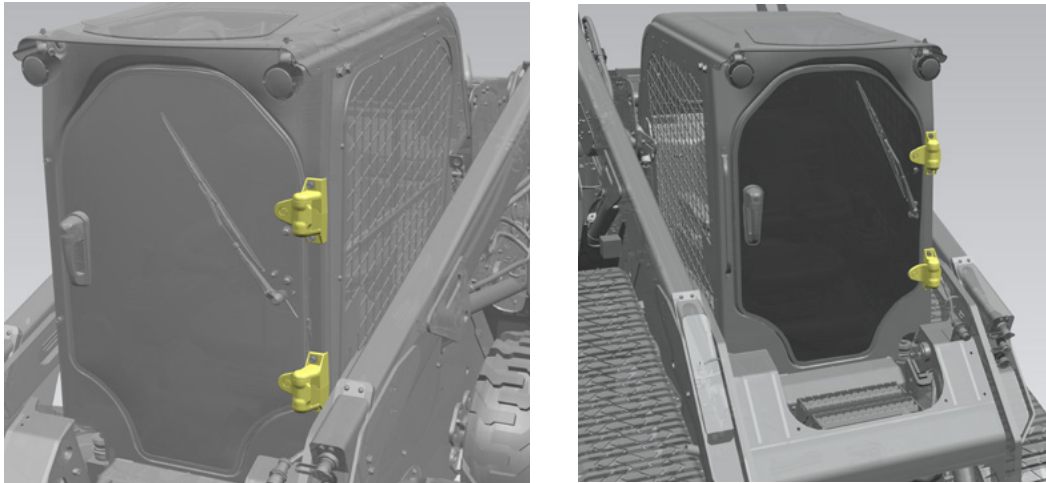
Product	Model	Series	Part Number	Estimated Install Time
SSL, MTL, CTL	226, 232, 236, 239, 242, 246, 249, 257, 259, 262, 272, 277, 279, 287, 289, 297, 299	D	585-3927*	Recommended Dealer Install
	272, 297, 299	D2		

\*Cannot be used with hand and foot controls. The part number provided is for reference only. Individual parts must be ordered. Please contact your Cat® dealer and reference media number M0111785 for parts list and proper installation instructions.



## Hinges – Front Door

Hinges are available to increase the cab door opening angle to either 76° or 90°, depending on the machine model.



Product	Model	Series	Part Number	Estimated Install Time
SSL, MTL, CTL	226, 232, 236, 239, 242, 249, 257, 259, 297, 299	D, D2, D3	586-0309 (Top)* 586-0310 (Bottom)*	0.5 Hour
SSL, MTL, CTL	246, 262, 277, 279, 287, 289	D	570-5204 (Top)** 570-5205 (Bottom)**	

\*Increases door opening angle to 90°.

\*\*Increases door opening angle to 76°.

Most D3 Series models were built with 90° opening hinges, however, there were certain early D3 Series models that were built with 76° hinges. Refer to the table below. If your machine serial number falls within the range listed, the machine can be configured with the 90° hinges listed.

Model	D3 Series Eligible for 90° Hinges
226D3	DX800000-DX800272
232D3	HRS00000-HRS00159, PWN00000-PWN00181
236D3	KXL00000-KXL00903, AZ600000-AZ600509, F9C00000-F9C00618, GK600000-GK600518
239D3	HC900000-HC900740
242D3	HSX00000-HSX00972, R2L00000-R2L00511, NXL00000-NXL00532, ME600000-ME600641
249D3	P9C00000-P9C00728
257D3	KEZ00000-KEZ00615, FMA00000-FMA00502, LM700000-LM700501, S7E00000-S7E99999
259D3	CW900000-CW904096, MC900000-MC900577, TLS00000-TLS00513, TE900000-TE900580
299D3	CY900000-CY900499, DY900000-DY901423
299D3 XE	AN900000-AN900501, BX900000-BX901103
299D3 XE Land Management	LB300000-LB300637, XES00000-XES00505

# Hydraulic Coupler

Provides components needed to convert a machine with a manual work tool coupler into a hydraulically actuated coupler. Includes hydraulic cylinder, work tool engagement pin assembly, step, couplings, harness, switch, and hardware.



Product	Model	Series	Part Number	Estimated Install Time
SSL, CTL	226, 232, 239, 249	D, D3	583-9156*	Recommended Dealer Install
SSL, MTL, CTL	236, 242, 246, 257, 259, 262, 272, 277, 279, 287, 289, 297, 299	D, D2, D3	603-0397*	

\*Hose material not included. Contact your Cat dealer to have hoses created using the supplied couplings.

# Radio (AM/FM/Bluetooth with Microphone)

Includes radio with Bluetooth® interface, microphone and auxiliary inputs (USB port and aux input jack) to connect external audio devices.



Product	Model	Series	Part Number	Estimated Install Time
SSL, MTL, CTL	All	D, D2, D3	571-6166*	0.75 Hour

\*Requires: Radio Ready operator station. May not be available for all regions.

## Radio Ready (No Radio)

Provides Speakers, Wiring, Radio Box, Antenna and Cable, and hardware required to install a single DIN radio.

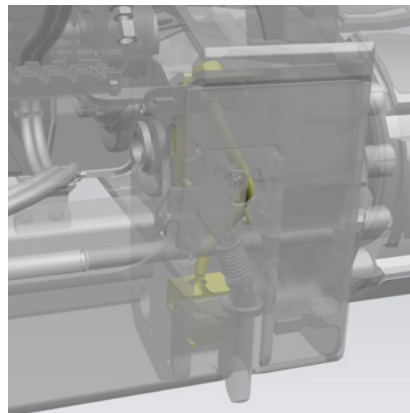
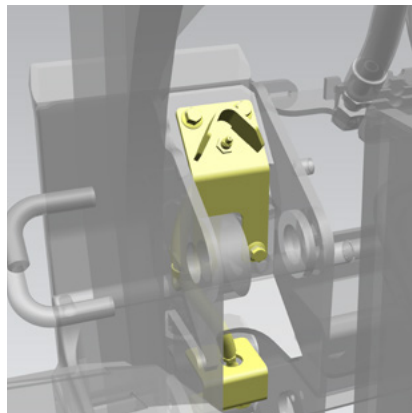


Product	Model	Series	Part Number	Estimated Install Time
SSL, MTL, CTL	All	D, D2, D3	571-6164	1.0 Hour

## Remote Greasing Kit – Coupler Pins

Provides remote location for lubrication of the work tool coupler pins.

Requires: Installation of this kit requires drilling two holes and welding a link to the coupler.



Product	Model	Series	Part Number	Estimated Install Time
SSL, MTL, CTL	236, 242, 257, 259	D, D3	527-8658	3.0 Hours
SSL, MTL, CTL	246, 262, 272, 277, 279, 287, 289, 297, 299	D, D2, D3	527-2335	

# EMISSIONS AND REGULATIONS

## Front Roading Lights

Includes front roading lights and two lift arm mounted mirrors. Mandatory for Road Homologation in Italy\*.



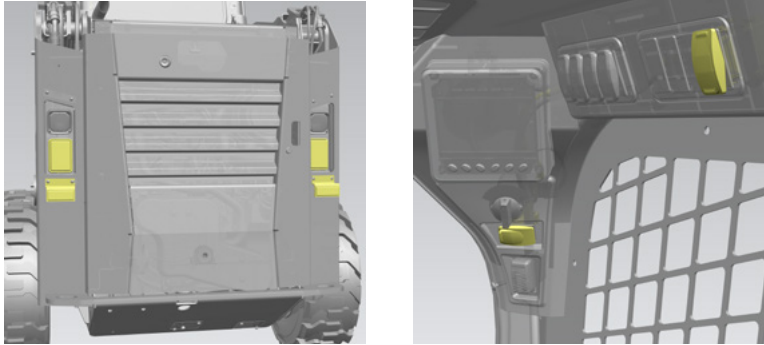
Product	Model	Series	Part Number	Estimated Install Time
SSL, CTL	226, 232, 239, 249	D3	583-9158	4.0 Hours
SSL, MTL, CTL	236, 242, 246, 257, 259, 262, 272, 277, 279, 287, 289, 297, 299	D, D2, D3		

\*Additional parts are required to obtain roading homologation.



## Rear Rooding Lights

This kit provides Rear Rooding light components (rear reflectors, brake lamps, directional indicators/turn signals, hazard lights) in order to meet rooding requirements for Italy\*.

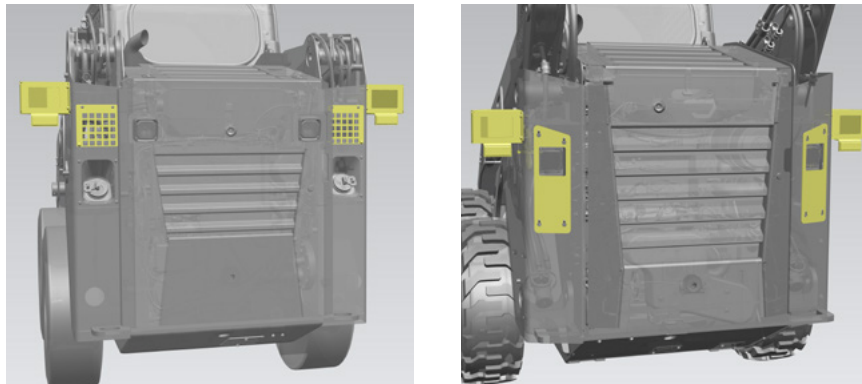


Product	Model	Series	Part Number	Estimated Install Time
SSL, CTL	226, 232, 239, 249	D3	583-9155	1.5 Hours
SSL, MTL, CTL	236, 242, 246, 257, 259, 262, 272, 277, 279, 287, 289, 297, 299	D, D2, D3		

\*Additional parts are required to obtain rooding homologation.

## Rear Rooding Lights (Wide Extension)

This kit provides components that allow the rear lights to be relocated to mounting locations on the sides of the rear frame towers in order to meet rooding requirements in Italy\*.

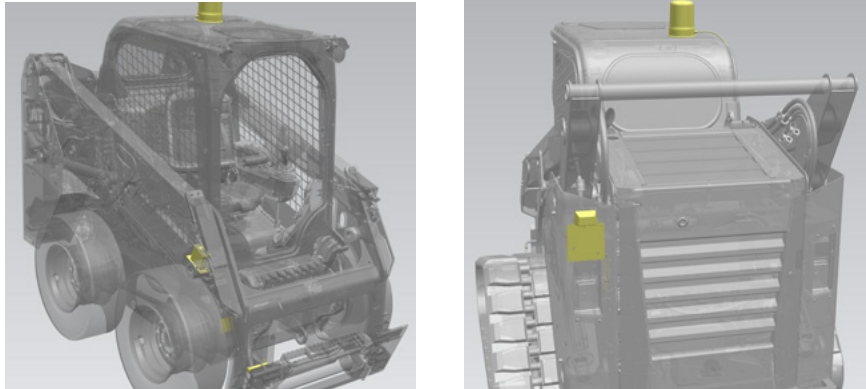


Product	Model	Series	Part Number	Estimated Install Time
SSL, CTL	226, 232, 239, 249	D, D3	498-3230	1.0 Hour
SSL, MTL, CTL	262, 287, 289	D, D3	526-4225	0.5 Hour
SSL, MTL, CTL	236, 242, 246, 257, 259, 272, 277, 279, 287, 297, 299	D, D2, D3	512-0356	0.5 Hour

\*Additional parts are required to obtain rooding homologation.

## Roading Conversion

Includes roading approval plate, beacon with in-cab electrical switch, lock for quick coupler, and roading block. The Bucket Tooth Guard Kit, Front Roding Lights Kit, and License Plate Kit are mandatory for Road Homologation in Italy\*.



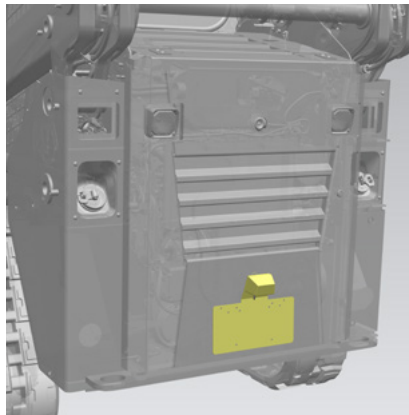
Product	Model	Series	Part Number	Estimated Install Time
SSL, CTL	226, 232, 239, 249	D, D3	497-4328	0.5 Hour
SSL, MTL, CTL	236, 242, 246, 257, 259, 262, 272, 277, 279, 287, 289, 297, 299	D, D2, D3	422-3324*	1.0 Hour

\* Additional parts are required to obtain roading homologation.

\*\* This kit can be used for General Roding in other regions when combined with the Front Roding Lights Kit. Consult your Cat dealer and reference media number REHS7837.

## Roding License Plate

Provides mounting provision to install registration (license) plate. Includes registration (license) plate bracket, light to illuminate plate, harness, and hardware. Mandatory for Road Homologation in Italy\*.



Product	Model	Series	Part Number	Estimated Install Time
SSL, MTL, CTL	All	D, D2, D3	504-1553	0.5 Hour

\*Additional parts are required to obtain roading homologation.

# SAFETY AND VISIBILITY

## Advanced Display

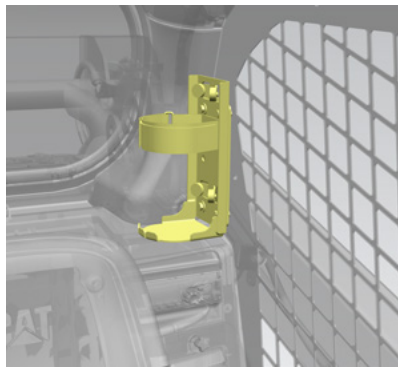
Includes: Full color, 127 mm (5 in) LCD screen with digital gauge display. Provides Creep Control, Hystat response adjustment, Implement response adjustment, Fuel gauge, Hydraulic temperature gauge, Engine coolant gauge, Tachometer, Language selection and Advanced multi-operator, Anti-theft Security and Monitoring. Also provides a USB charging port. Rear Camera ready.



Product	Model	Series	Part Number	Estimated Install Time
SSL, MTL, CTL	All	D, D2, D3	568-2041	1.5 Hours

## Cab Fire Extinguisher Mount

Provides in-cab mounting bracket that can accommodate up to a 2.26 kg (5 lb) fire extinguisher.



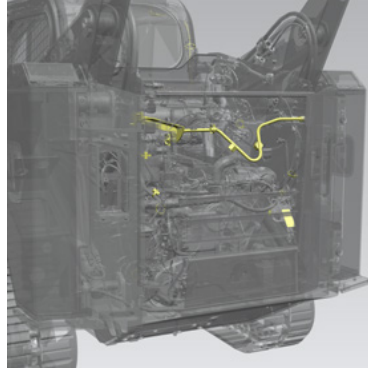
Product	Model	Series	Part Number	Estimated Install Time
SSL, MTL, CTL	All	D, D2, D3	565-3045	2.0 Hours

# Fire Suppression System

Kit includes a portion of the components needed to install an ANSUL Liquid Vehicle System (LVS) fire suppression system for use in applications or environments where combustible material or debris are present. This system requires that additional components be installed by a local ANSUL distributor. The ANSUL distributor will also certify and register the system upon completion of the installation.

**NOTE:** To locate and contact a local ANSUL distributor use this link:

<https://www.ansul.com/en/us/pages/FindaDistributor.aspx?value=FIN%20A%20DISTRIBUTOR>



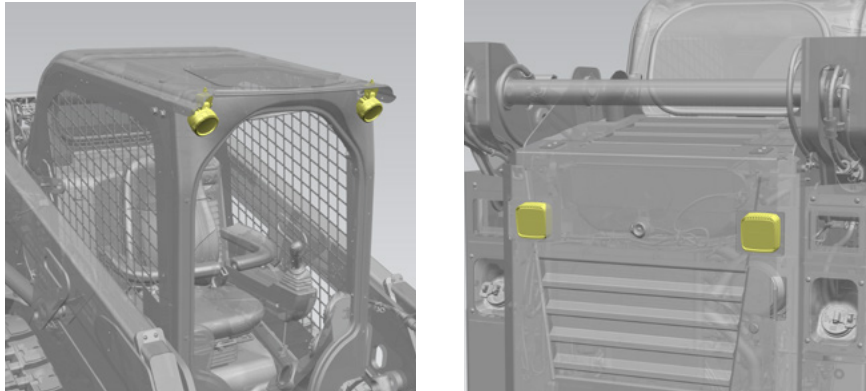
Product	Model	Series	Part Number	Estimated Install Time
CTL	299 XHP – Land Management	D2, D3	548-1650*	Recommended Dealer Install
	299 XE – Land Management			

\*This kit has software enabled features that must be activated by a Cat dealer and only for use with the listed machines. Requires Cat Electronic Technician (ET) to complete installation of this kit.



## LED Lights

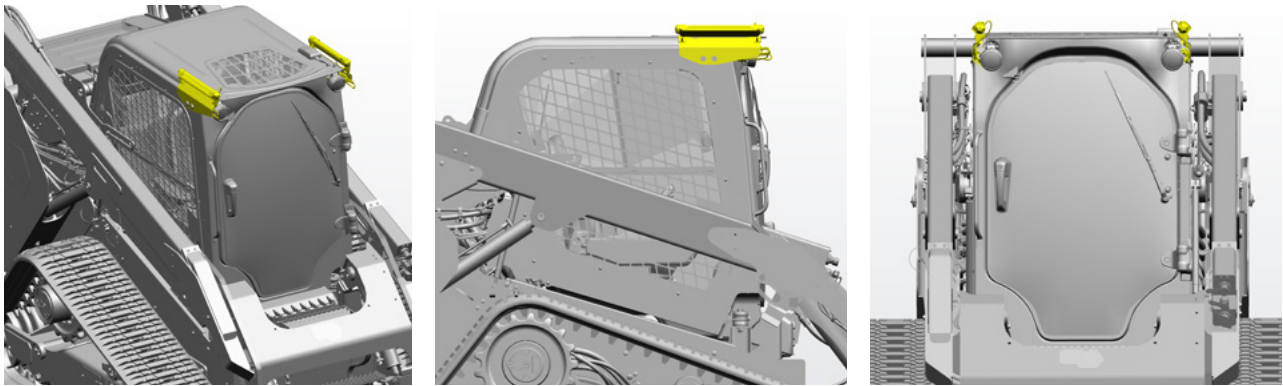
Includes two (2) forward facing adjustable work lights (cab mounted) and two (2) rear facing LED work lights (frame mounted). LED lighting advantages versus halogens: brighter work site illumination, cooler, more resistant to vibration and longer life.



Product	Model	Series	Part Number	Estimated Install Time
SSL, MTL, CTL	All	D, D2, D3	499-2684	1.0 Hour

## LED Side Lights

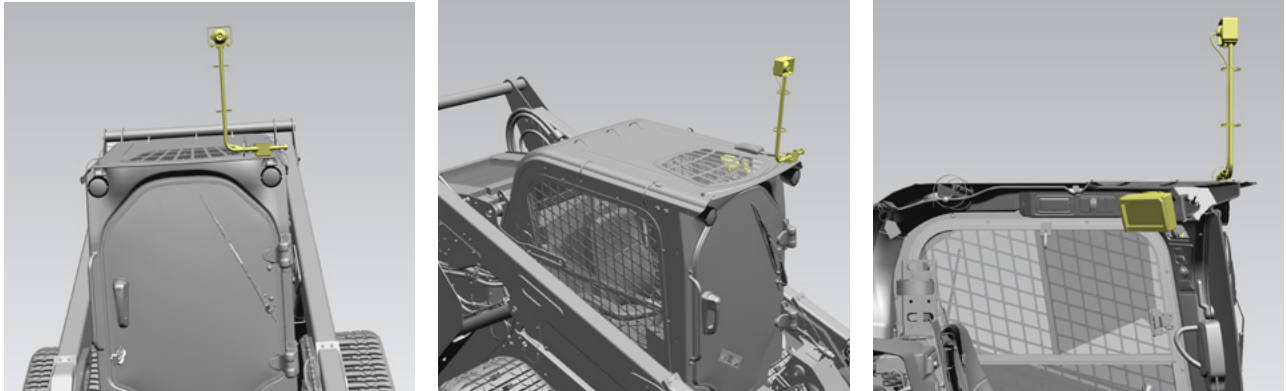
This kit provides two LED lights (2200 lumens each) which can be mounted to the side of the cab. The lights are adjustable in order to provide the ideal light coverage for the areas alongside of the machine.



Product	Model	Series	Part Number	Estimated Install Time
SSL, MTL, CTL	All	D, D2, D3	599-4162	1.0 Hour

## Front Camera and Monitor

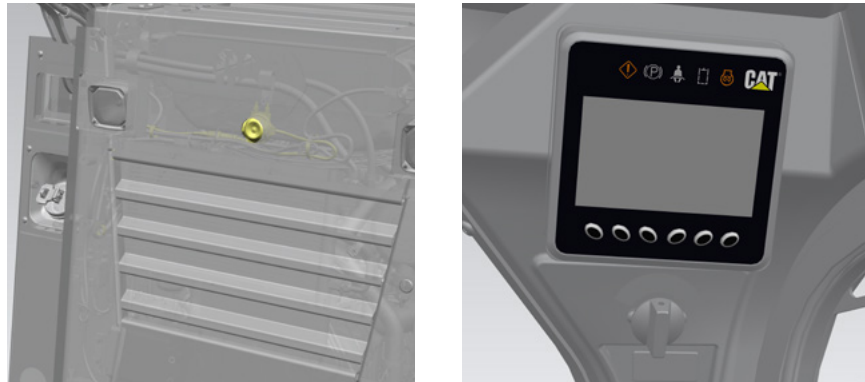
This kit provides a front camera mounted high on the top of the cab and a monitor mounted in the upper left corner of the cab. Recommended for use with the Wheel Saw, Backhoe, and Snow Blower attachments.



Product	Model	Series	Part Number	Estimated Install Time
SSL, MTL, CTL	All	D, D2, D3	608-7028	4.0 Hours

## Rear Camera

Rear camera option is now standard with machines built with the Advanced Display (Comfort and Convenience section). The Advanced Display (not included) must be installed with the Rear Camera Kit.



Product	Model	Series	Part Number	Estimated Install Time
SSL, MTL, CTL	236, 242, 246, 257, 259, 262, 272, 277, 279, 287, 289, 297, 299	D	388-8284	1.0 Hour*
SSL, MTL, CTL	226, 232, 239, 249	D, D3		
SSL, MTL, CTL	272, 297, 299	D2	435-9149	1.0 Hour*

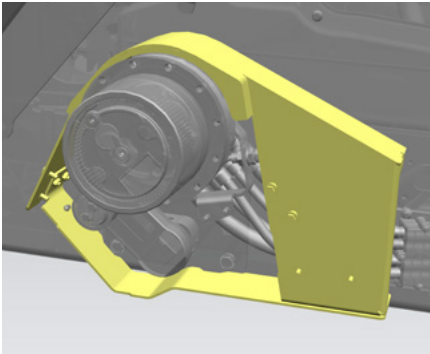
\*The Estimated Install Time does not include the Advanced Display. See Comfort and Convenience section.

# GUARDING

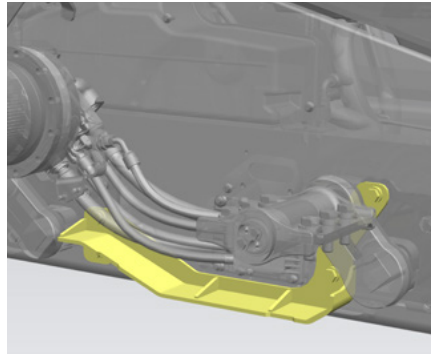
## Compact Track Loader Drive Line Guards

This kit provides additional guarding for customers in demanding applications where guarding for the drive lines is desired.

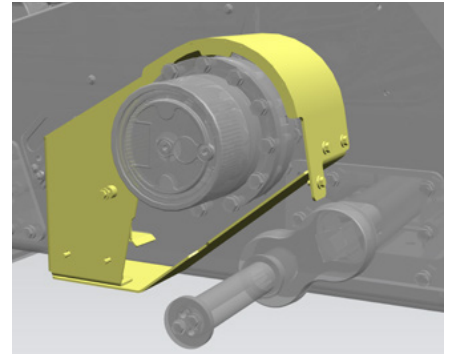
259D



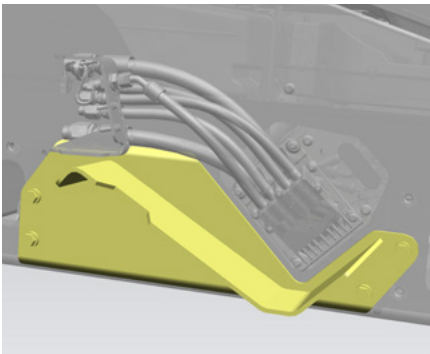
259D3



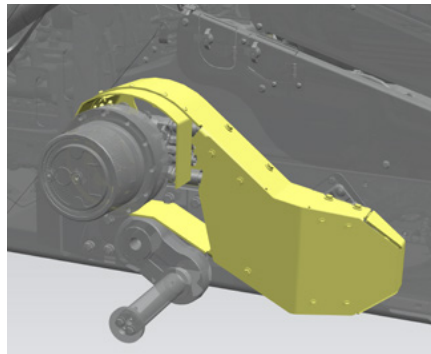
279/289D



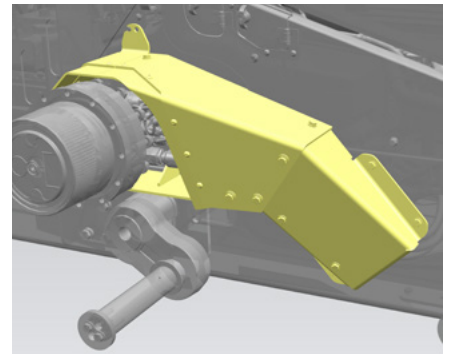
279/289D3



299D2



299D3



Product	Model	Series	Part Number	Estimated Install Time
CTL	259	D	543-2885*	7.5 Hours
	259	D3	576-5545	4.0 Hours
	279, 289	D	526-6616*	7.5 Hours
	279, 289	D3	576-4430	4.0 Hours
	299	D2	514-7702**	7.5 Hours
	299	D3	584-1927***	12.0 Hours

\*This kit requires removal of the undercarriage and drilling holes into the undercarriage frame for mounting the guarding components.

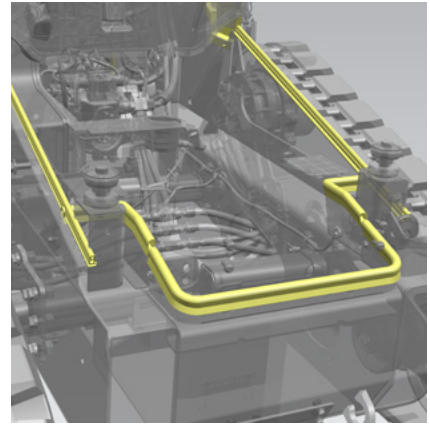
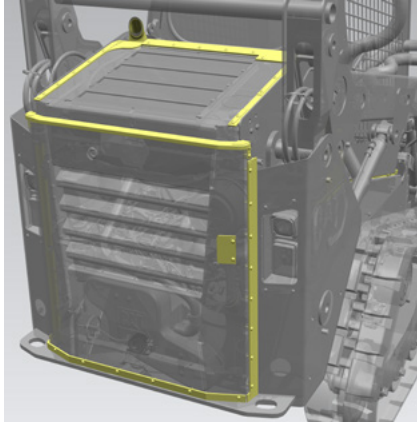
\*\*This kit requires removal of the undercarriage, drilling holes into the machine frame, and welding of the baseplate to the machine frame for mounting the guarding components.

\*\*\*This kit requires removal of the undercarriage and drilling holes into the machine frame for mounting the guarding components.

## Debris Kit (Machine Enclosure)

This kit provides additional components for customers in debris intensive applications that restrict debris and other material from entering the engine compartment and the lower machine frame. Provided are various seals and covers that are designed to cover the openings that exist between the frame/body/cab of the machine as well as a fuel strainer and an exhaust stack cover. Also recommended: Turbo Debris Guard Kit.

**Note:** If additional component guarding is required, please refer to the Guarding Kits.

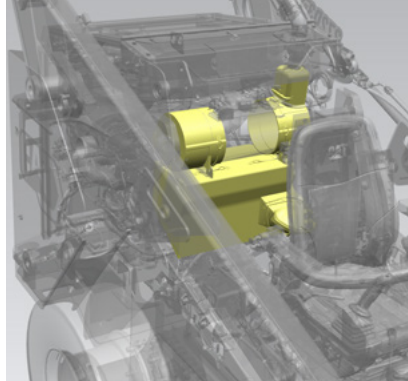


Product	Model	Series	Part Number	Estimated Install Time
SSL, CTL	226, 232, 239, 249	D, D3	421-0135	8.0-10.0 Hours
SSL, MTL, CTL	242, 257, 259	D, D3	471-7024	
SSL	236	D, D3	472-2964	
SSL, MTL, CTL	246, 277, 279	D, D3	594-4892	
SSL, MTL, CTL	262, 287, 289	D, D3	594-4893	
SSL, MTL, CTL	272, 297, 299	D	471-7021	
SSL, MTL, CTL	272, 297, 299	D2, D3	596-9034	



## Exhaust Wraps

This kit provides parts that lower the surface temperature of certain engine and exhaust components. It is recommended for debris intensive applications and should be used in conjunction with the Debris Kit and Turbo Debris Guard Kit.

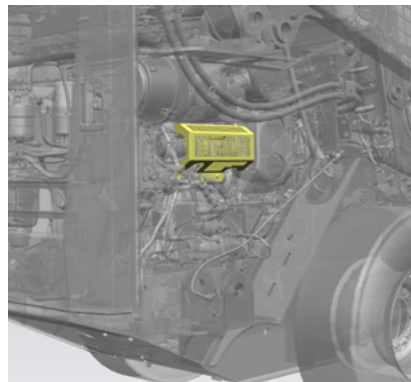
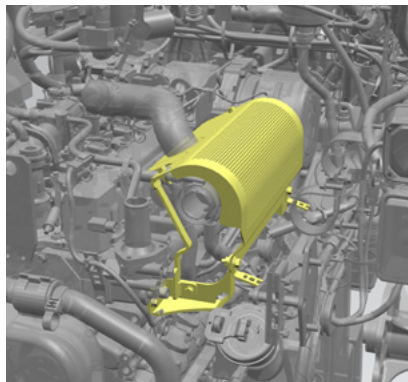


Product	Model	Series	Part Number	Estimated Install Time
SSL, MTL, CTL	272, 297, 299	D2, D3	558-4849*	Recommended Dealer Install
SSL, MTL, CTL	236, 242, 246, 257, 259, 262, 277, 279, 287, 289	D, D3	604-9344	

\*This kit requires engine removal to install the exhaust wraps.

## Turbocharger Guard

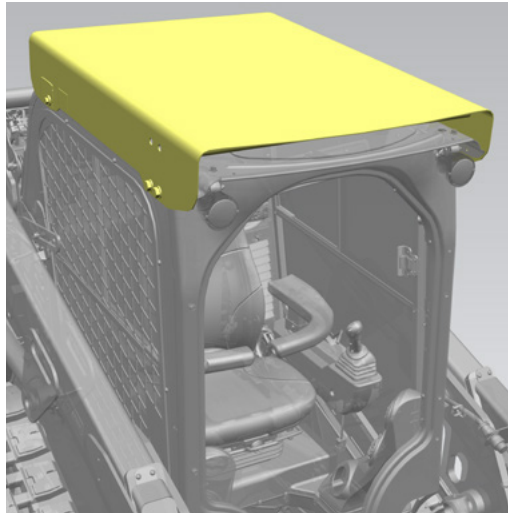
This kit contains perforated steel guards that are designed to cover the exhaust manifold and turbocharger to assist in deterring the collection of material on these components. The Turbo Guard kit is required in applications where airborne debris is present and should be used in conjunction with the Debris Barrier Kit.



Product	Model	Series	Part Number	Estimated Install Time
SSL, MTL, CTL	236, 242, 246, 257, 259, 262, 277, 279, 287, 289	D, D3	601-9610	1.5 Hours
SSL, MTL, CTL	272, 297, 299	D2, D3	587-0678	

## Falling Object Protection System (FOPS) Level 2

FOPS Level 2 provides additional overhead protection. Recommended for use in demolition applications. Meets ISO 3449:1992.

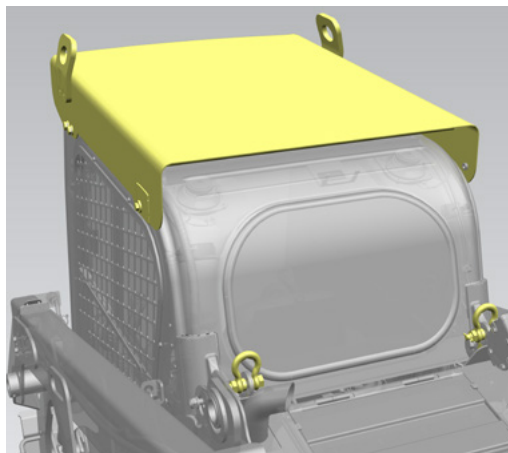


Product	Model	Series	Part Number	Estimated Install Time
SSL, MTL, CTL	All	D, D2, D3	345-6070*	1.0 Hour

\*The part number provided is for reference only. Individual parts must be ordered. Please contact your Cat dealer and reference media number REHS8703 for parts list and proper installation instructions. Not compatible with Single Point Lift kit, Water Tank kit, or Auxiliary Hydraulic Cooler kit.

## FOPS Level 2 with 4 Point Lift

This kit combines the Falling Object Protective Structure level 2 and 4 point lifting functionality. Recommended for use in applications where additional overhead protection and 4 point lifting are both desired (example: demolition).

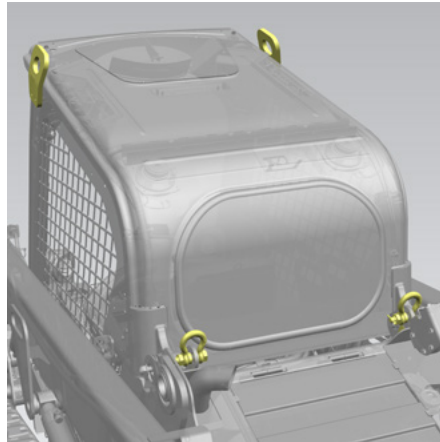


Product	Model	Series	Part Number	Estimated Install Time
SSL, MTL, CTL	All	D, D2, D3	418-5883*	1.0 Hour

\*The part number provided is for reference only. Individual parts must be ordered. Please contact your Cat dealer and reference media number REHS9989 for parts list and proper installation instructions. Not compatible with Single Point Lift kit, Water Tank kit, or Auxiliary Hydraulic Cooler kit.

## 4 Point Lift

Contains parts that attach to cab roof and machine frame that allow the machine to be lifted.

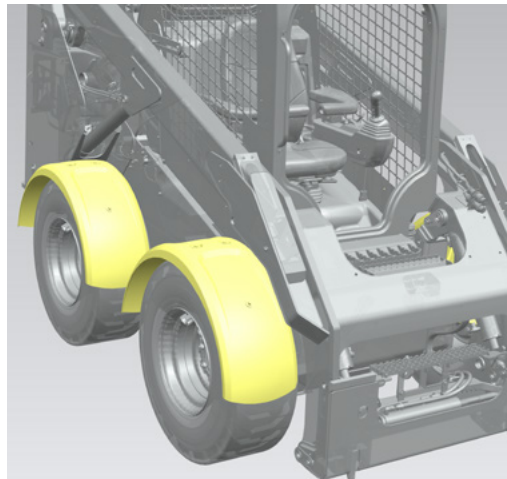


Product	Model	Series	Part Number	Estimated Install Time
SSL, MTL, CTL	All	D, D2, D3	421-0274*	0.5 Hour

\*Not compatible with Single Point Lift kit, FOPS Level 2 Guarding kit, Water Tank kit, or Auxiliary Hydraulic Cooler kit.

## Fenders

This kit provides four non-metallic fenders and associated mounting hardware. Great for agriculture, snow clearing or any application where the side windows and machine frame need to be shielded from mud, snow, water or other debris encountered during the operation of a skid steer loader.



Product	Model	Series	Part Number	Estimated Install Time
SSL	242	D, D3	580-8841*	3.5 Hours
SSL	246, 262, 272	D, D2, D3	580-8866**	

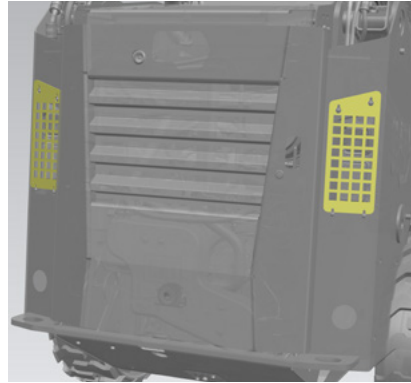
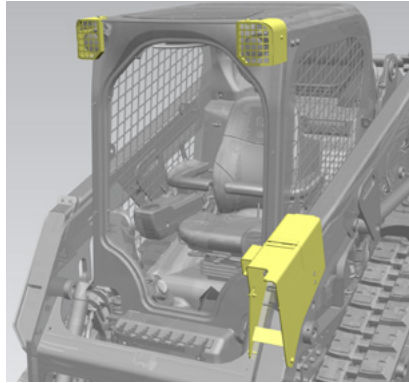
\*Only compatible with 66-inch tire width configurations.

\*\*Only compatible with 72-inch tire width configurations.

## Guarding (Lights and Auxiliary Hydraulic Connectors)

This kit provides additional guarding for customers in demanding applications where additional safeguarding is required. This kit provides guarding for the front work lights, rear work lights, auxiliary hydraulic connections, work tool electrical harness connection and work tool coupler area.

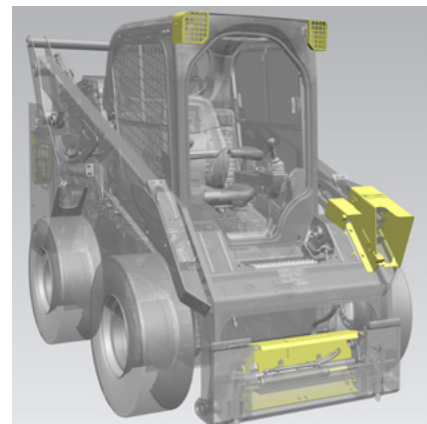
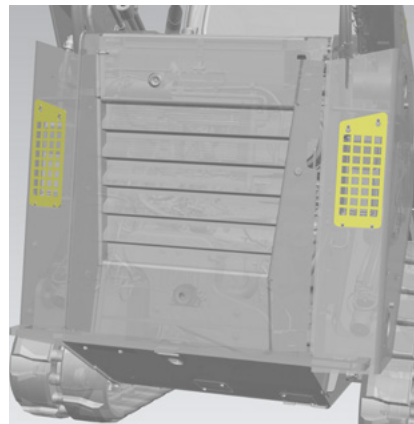
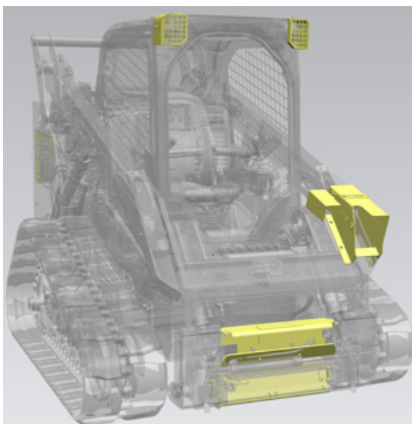
**Note:** If additional debris guarding is required, please refer to the Debris Kit.



Product	Model	Series	Part Number	Estimated Install Time
SSL, CTL	226, 232, 239, 249	D, D3	422-3242	1.0 – 2.0 Hours
SSL, MTL, CTL	236, 242, 257, 259	D, D3	472-2967	

## Guards (Lights, Auxiliary Hydraulic Connectors, and Work Tool Coupler)

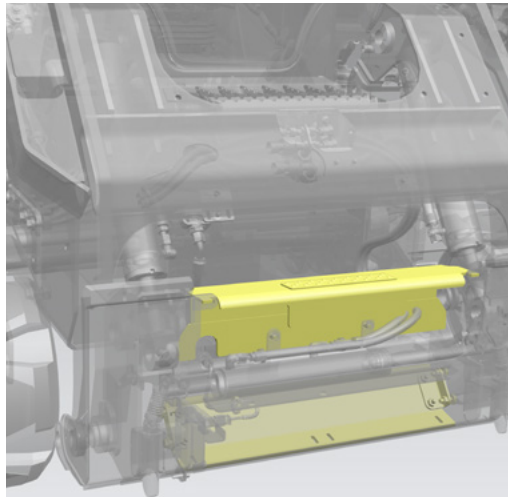
This kit provides additional guarding for customers in demanding applications where extra safeguarding is required. This kit provides guarding for the front work lights, rear work lights, auxiliary hydraulic connections, work tool electrical harness connection and work tool coupler area.



Product	Model	Series	Part Number	Estimated Install Time
SSL, MTL, CTL	246, 262, 277, 279, 287, 289	D, D3	584-1926	1.0 – 2.0 Hours
SSL, MTL, CTL	272, 297, 299	D, D2, D3	584-3877	

## Work Tool Coupler Guard

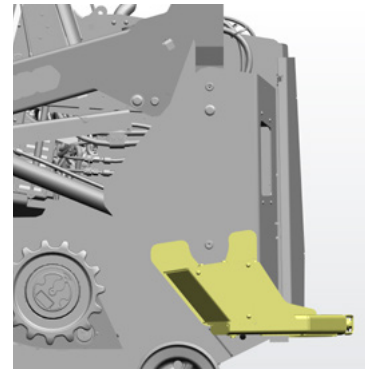
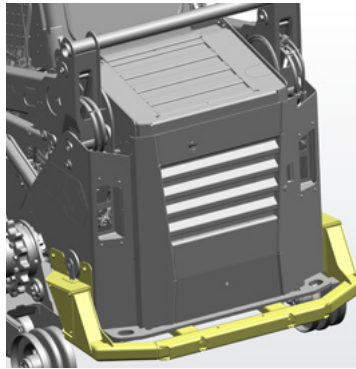
Provides lower guard that restricts material/debris from entering the underside of the coupler area giving additional safeguarding for electrical components. Also provides rear guard that diverts material away from manual coupler handles and restricts material/debris from entering the rear of the coupler on machines equipped with electric couplers.



Product	Model	Series	Part Number	Estimated Install Time
SSL, MTL, CTL	246, 262, 272, 277, 279, 287, 289, 297, 299	D, D2, D3	583-9154	0.5 Hour

## Rear Bumper

Provides a tubular bumper for added protection of the rear of the machine in demanding applications like demolition, recycling, land management, and other applications. Welding Required.

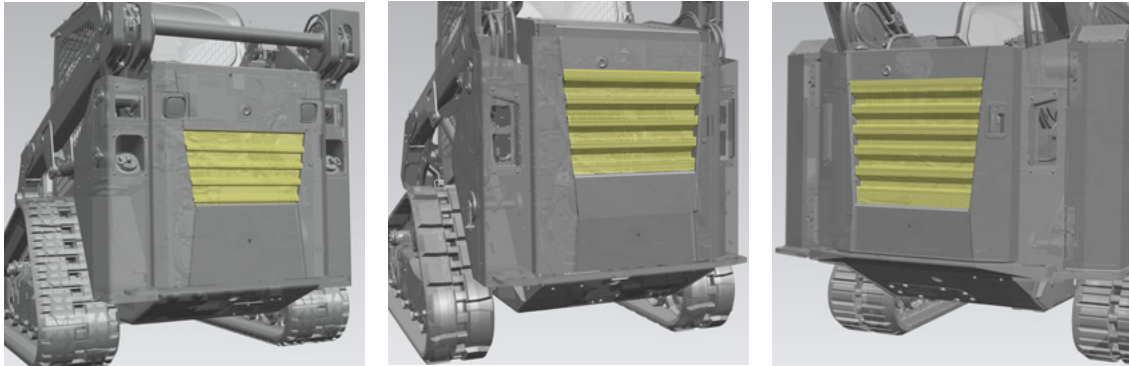


Product	Model	Series	Part Number	Estimated Install Time
SSL, MTL, CTL	272, 297, 299	D, D2, D3	598-6616	2.0 Hours
SSL, MTL, CTL	246, 262, 277, 279, 287, 289	D, D3	603-4416	
SSL, MTL, CTL	236, 242, 257, 259	D, D3	603-4426	



## Rear Door Grill Replacement

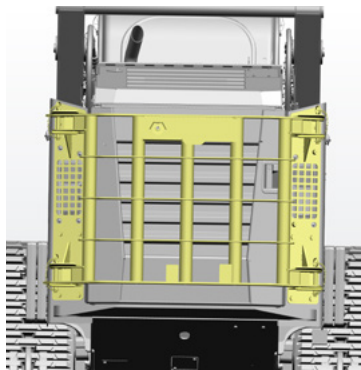
Replacement mesh for rear door. Replacing this door mesh will require cutting, grinding, welding, and painting.



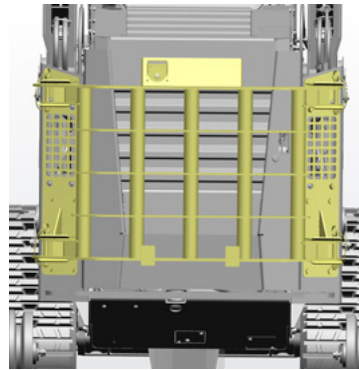
Product	Model	Series	Part Number	Estimated Install Time
SSL, CTL	226, 232, 239, 249	D, D3	435-9114	3.0 Hours
SSL, MTL, CTL	236, 242, 246, 257, 259, 262, 277, 279, 287, 289	D, D3	345-6104	
SSL, MTL, CTL	272, 297, 299	D, D2, D3	345-5633	

## Rear Door Guard

Provides a tubular guarding structure delivering protection to the rear of the machine in demanding applications like demolition, recycling, and land management. Includes a swing out guard for engine compartment access and mounting for rear camera.



587-6616

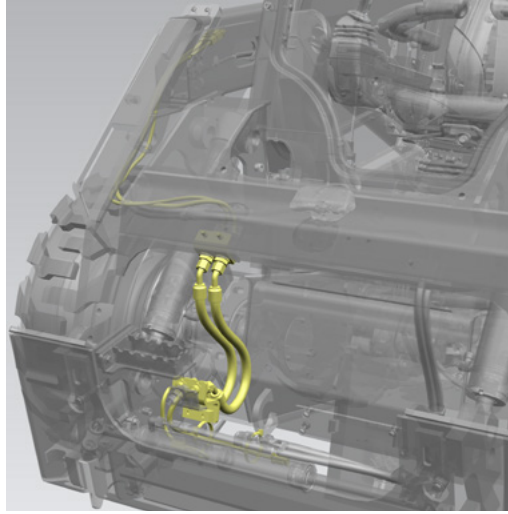


603-9096

Product	Model	Series	Part Number	Estimated Install Time
SSL, MTL, CTL	246, 262, 272, 277, 279, 287, 289, 297, 299	D, D2, D3	587-6616	4.0 Hours
SSL, MTL, CTL	236, 242, 257, 259	D, D3	603-9096	

## Self Level Sensor and Electric Quick Coupler Harness Guard

Self Level Sensor Harness and Electric Quick Coupler Harness Guard provides additional protection for electrical harnesses on the work tool coupler.

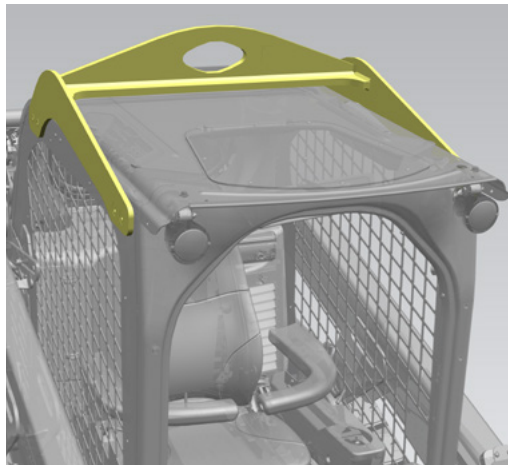


Product	Model	Series	Part Number	Estimated Install Time
SSL, MTL, CTL	236, 242, 257, 259	D	547-8411*	2.0 Hours
SSL, MTL, CTL	246, 262, 272, 277, 279, 287, 289, 297, 299	D, D2	528-6229*	

\*The part number provided is for reference only. Individual parts must be ordered. Please contact your Cat dealer and reference media number M0099175 for parts list and proper installation instructions.

## Single Point Lift

Contains parts that attach to cab roof and allow machine to be lifted from a single point.



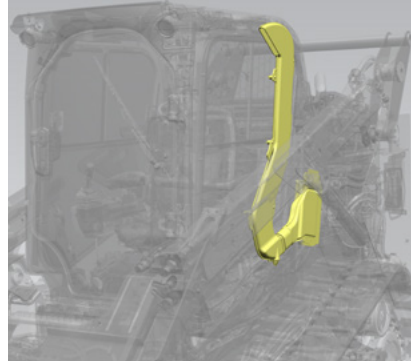
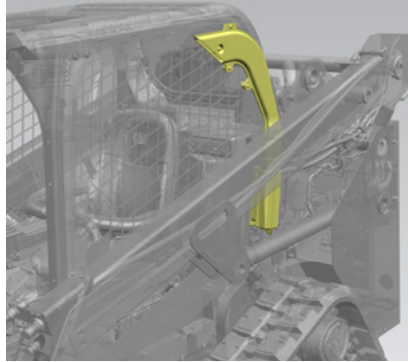
Product	Model	Series	Part Number	Estimated Install Time
SSL, MTL, CTL	All	D, D2, D3	474-5632*	1.0 Hour

\*The part number provided is for reference only. Individual parts must be ordered. Please contact your Cat dealer and reference media number REHS9970 for parts list and proper installation instructions. Not compatible with 4 Point Lifting Eyes kit, FOPS Level 2 Guarding kit, Water Tank kit, or Auxiliary Hydraulic Cooler kit.

# MAINTENANCE IMPROVEMENT

## A/C Breather (HVAC Snorkel)

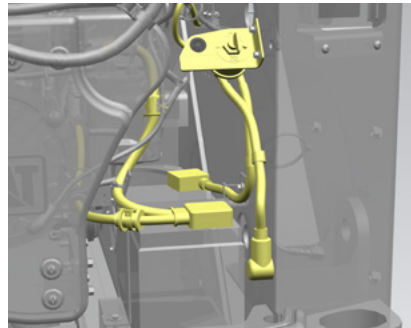
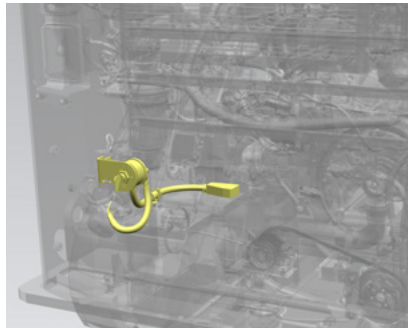
This kit provides increased cab air filter life for machines used in dusty or high airborne debris applications. Kit contains duct work and hardware required to relocate the cab fresh air intake to a higher location near the roof of the cab.



Product	Model	Series	Part Number	Estimated Install Time
SSL, CTL	226, 232, 239, 249	D, D3	486-3284	0.5 Hour
SSL, MTL, CTL	236, 242, 246, 257, 259, 262, 272, 277, 279, 287, 289, 297, 299	D, D2, D3	540-9349	

## Battery Disconnect

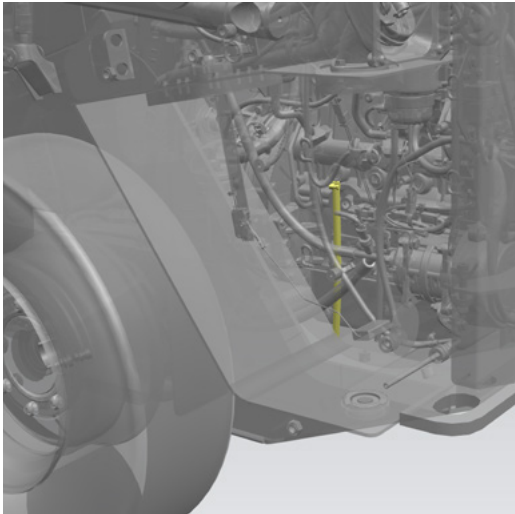
Provides components needed to install a battery disconnect switch which removes battery power for machine security, service, or storage.



Product	Model	Series	Part Number	Estimated Install Time
SSL, CTL	226, 232, 239, 249	D, D3	484-6346	0.5 –1.5 Hours
SSL, MTL, CTL	236, 242, 246, 257, 259, 262, 277, 279, 287, 289	D, D3	484-0292	
SSL, MTL, CTL	272, 297, 299	D	493-4485	
SSL, MTL, CTL	272, 297, 299	D2	484-8211	

# Coolant Drain

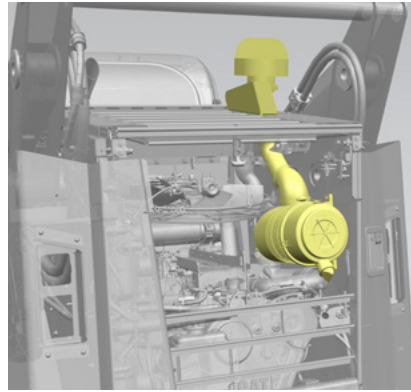
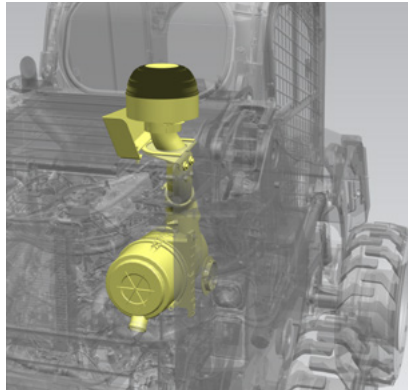
Allows for ecological draining of engine coolant during change intervals.



Product	Model	Series	Part Number	Estimated Install Time
SSL, CTL	226, 232, 239, 249	D, D3	416-5769	0.5 Hour

# Engine Air Pre-Cleaner

Turbine type pre-cleaner for the engine air filter to extend filter life. For use in high dust/debris applications.



Product	Model	Series	Part Number	Estimated Install Time
SSL, CTL	226, 232, 239, 249	D, D3	416-5780*	1.0 Hour
SSL, CTL	226, 232, 239, 249	D3	604-4833*	
SSL, MTL, CTL	236, 242, 257, 259	D, D3	388-6641	
SSL, MTL, CTL	246, 262, 277, 279, 287, 289	D, D3	415-2795	
SSL, MTL, CTL	272, 297, 299	D, D2	416-5965	
SSL, CTL	272, 299	D3	594-5620	

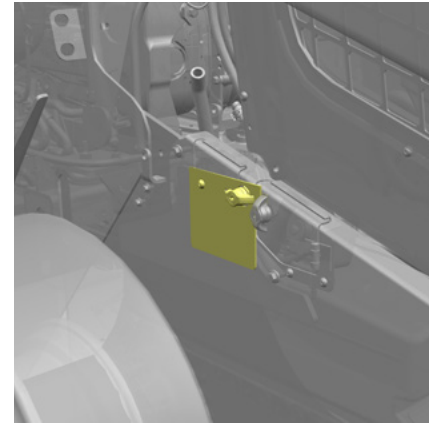
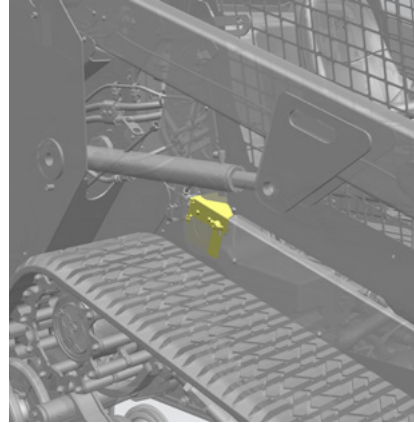
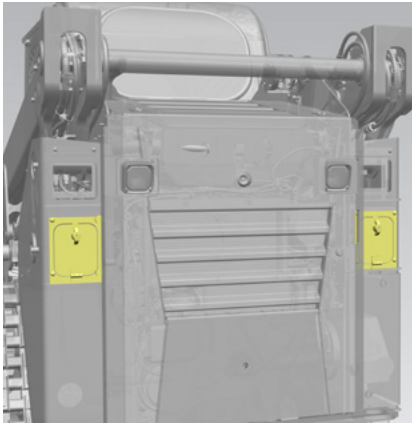
\*See chart below for machine compatibility for the noted parts.

Model	Serial Number Prefix	Part Number
226D	HR6, HRD	416-5780
226D3	DX8, D5R	416-5780
	EK5	604-4833
232D	EH2, KXC, DPR	416-5780
232D3	PWN, HRS, D5Z	416-5780
	GJ5	604-4833
239D	CD4, BL9, T9S	416-5780
239D3	HC9, KE9	416-5780
	K5S	604-4833
249D	AH9, D9E, GWR	416-5780
249D3	P9C, R9E	416-5780
	WS5	604-4833



## Hydraulic Oil and Fuel Fill Lockable Door

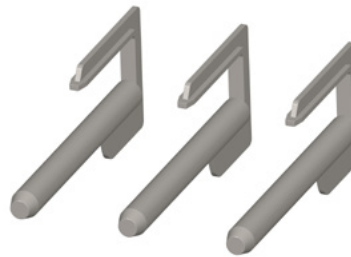
Provides lockable cover for hydraulic oil fill and fuel fill locations.



Product	Model	Series	Part Number	Estimated Install Time
SSL, CTL	226, 232, 239, 249	D, D3	482-0240	0.5 Hour
SSL, MTL, CTL	246, 262, 277, 279, 287, 289	D	456-5190	
SSL, MTL, CTL	272, 297, 299	D	452-7802	

## Track Removal and Install Tool (Track Bar System)

A three-piece tool set that aids in the removal or installation of rubber tracks on Compact Track Loaders.

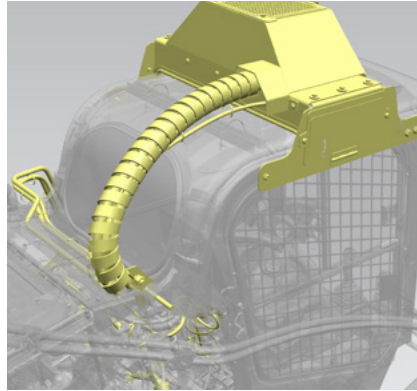


Product	Model	Series	Part Number	Estimated Install Time
CTL	All	D, D2, D3	592-0838	Not Applicable

# PERFORMANCE AND PRODUCTIVITY

## Auxiliary Cooler

Roof mounted auxiliary hydraulic cooler provides additional hydraulic cooling capacity. For use in heavy duty applications (i.e. mulching, brush cutting, etc.) where the machine is utilized continuously in high flow mode with high demand on the Hystat system at ambient temperatures greater than 38°C (100°F).



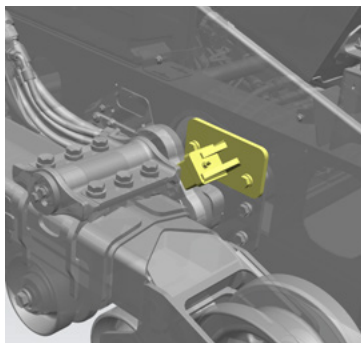
Product	Model	Series	Part Number	Estimated Install Time
SSL, MTL, CTL	272, 297, 299	D	481-0700*	Recommended Dealer Install
MTL	297	D2	451-8378**	
SSL, CTL	272, 299	D2,D3		

\*The part number is for reference only. Please see your Cat Dealer for the complete list of required parts. Not compatible with Four Point Lifting Eyes kit, Single Point Lift kit, FOPS Level 2 Guarding kit, or Water Tank kit.

\*\*Not compatible with Four Point Lifting Eyes kit, Single Point Lift kit, FOPS Level 2 Guarding kit, or Water Tank kit.

## Axle Stop – CTL and MTL Torsion Axle Stops

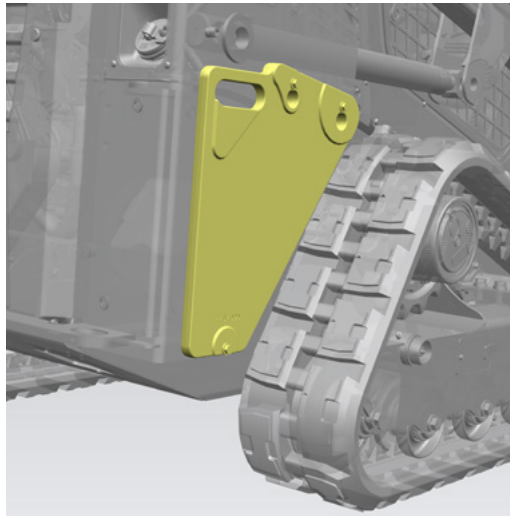
Limits torsion axle rotation while continuing to isolate the operator from vibrations. This kit may be desired by customers that wish to reduce motion of the bucket edge during truck loading, fine grading or handling heavy material.



Product	Model	Series	Part Number	Estimated Install Time
CTL	259	D, D3	555-7208	3.0 Hours
MTL	277, 287	D	454-6025	
CTL	279, 289	D, D3	600-5689	
	299	D, D2, D3	555-7209	

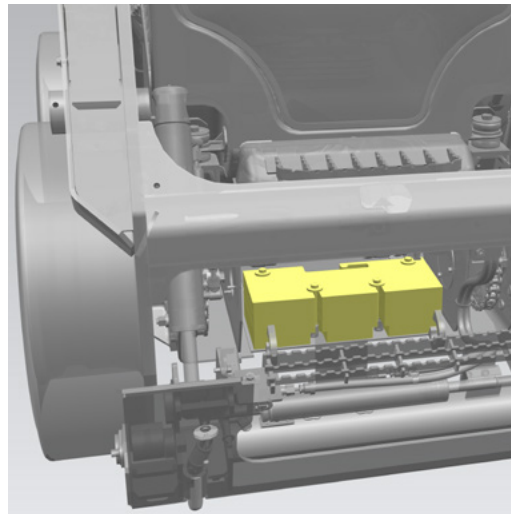
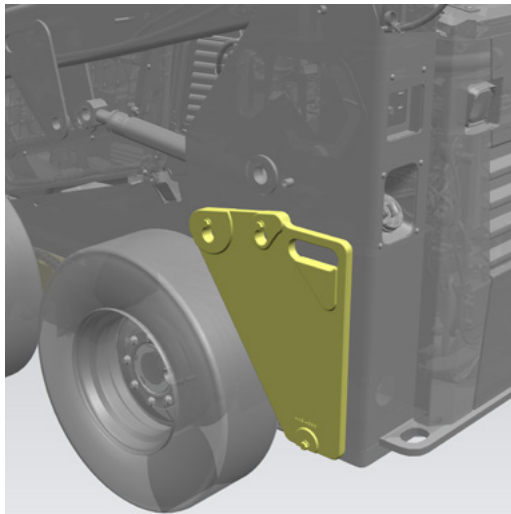
## Counterweights

Kit provides one counterweight per side which increases the Rated Operating Capacity (ROC) by approximately 23-45 kg (50-100 lbs), depending on model. For maximum ROC increase, must order quantity of two 421-0356 kits. Includes Mounting hardware for both one counterweight per side configuration and two counterweights per side configuration.



Product	Model	Series	Part Number	Estimated Install Time
SSL, CTL	226, 239, 249	D	421-0356	0.5 Hour
SSL, CTL	226, 232, 239, 249	D3		

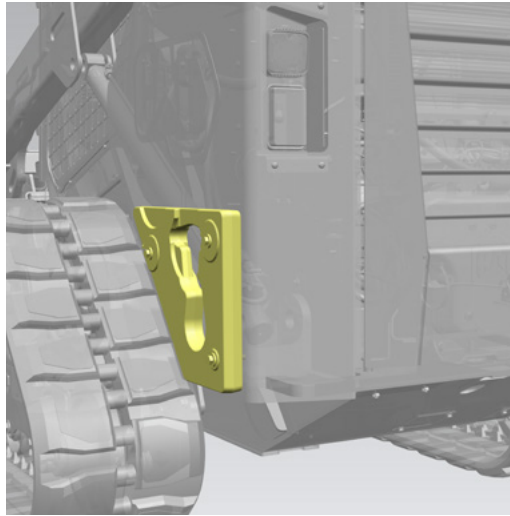
Kit provides one counterweight per side and weights to mount below the floorboard. Machine ROC increased by 45 kg (100 lbs). Includes mounting hardware.



Product	Model	Series	Part Number	Estimated Install Time
SSL	232	D	421-0355	1.0 Hour

## Counterweights *(continued)*

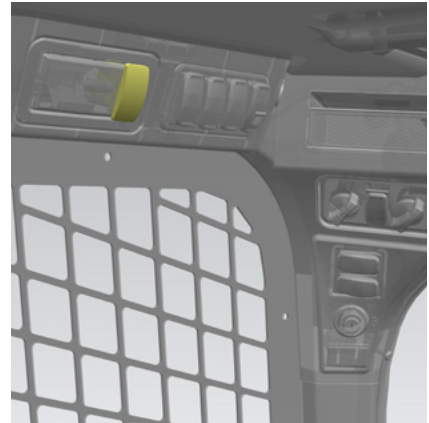
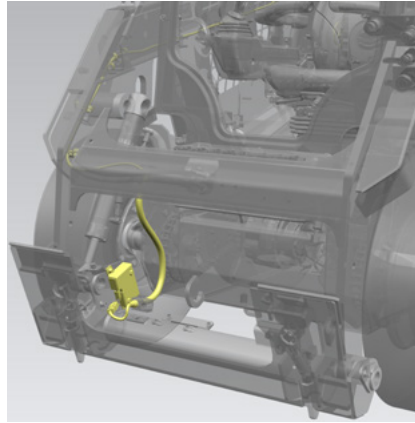
Kit provides one counterweight per side which increases the Rated Operating Capacity by approximately 46-57 kg (100-125 lbs), depending on model. For maximum ROC increase, must order a quantity of two.



Product	Model	Series	Part Number	Estimated Install Time
SSL, MTL, CTL	236, 242, 246, 257, 259, 262, 272, 277, 287, 289, 297, 299	D, D2, D3	388-7875	1.0 Hour

## Dual Self Level

Provides dual self-level function. When engaged the work tool will remain at the specified inclination (e.g. level position, racked back position) throughout the range of motion during both the raise and lower cycles.



Product	Model	Series	Part Number	Estimated Install Time
SSL, CTL	226, 239	D, D3	421-0122*	Recommended Dealer Install

\*The part number provided is for reference only. Individual parts must be ordered. Please contact your Cat dealer and reference noted media number SEHS0157 for parts list and proper installation instructions. Requires Cat Electronic Technician (ET) to complete installation of this kit.

## Dual Self Level *(continued)*

Product	Model	Series	Part Number	Estimated Install Time
SSL, CTL	232, 249	D, D3	421-0322*	Recommended Dealer Install

\*The part number provided is for reference only. Individual parts must be ordered. Please contact your Cat dealer and reference noted media number SEHS0158 for parts list and proper installation instructions. Requires Cat Electronic Technician (ET) to complete installation of this kit.

Product	Model	Series	Part Number	Estimated Install Time
SSL	236	D, D3	422-3363*	Recommended Dealer Install

\*The part number provided is for reference only. Individual parts must be ordered. Please contact your Cat dealer and reference noted media number REHS7849 for parts list and proper installation instructions. Requires Cat Electronic Technician (ET) to complete installation of this kit.

Product	Model	Series	Part Number	Estimated Install Time
SSL, MTL, CTL	242, 257, 259	D, D3	523-4907*	Recommended Dealer Install

\*The part number provided is for reference only. Individual parts must be ordered. Please contact your Cat dealer and reference noted media number M0077272 for parts list and proper installation instructions. Requires Cat Electronic Technician (ET) to complete installation of this kit.

Product	Model	Series	Part Number	Estimated Install Time
SSL, MTL, CTL	246, 277, 279	D, D3	422-3362*	Recommended Dealer Install

\*The part number provided is for reference only. Individual parts must be ordered. Please contact your Cat dealer and reference noted media number REHS7811 for parts list and proper installation instructions. Requires Cat Electronic Technician (ET) to complete installation of this kit.

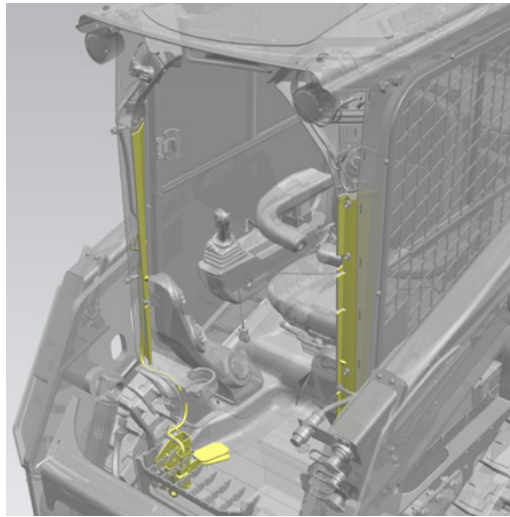
Product	Model	Series	Part Number	Estimated Install Time
SSL, MTL, CTL	262, 272, 287, 289, 297, 299	D, D2, D3	523-4908*	Recommended Dealer Install

\*The part number provided is for reference only. Individual parts must be ordered. Please contact your Cat dealer and reference noted media number M0077274 for parts list and proper installation instructions. Requires Cat Electronic Technician (ET) to complete installation of this kit.



## Engine Speed Control Pedal

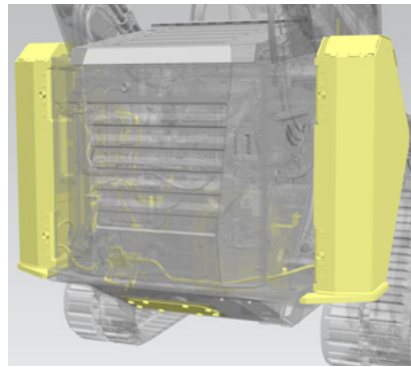
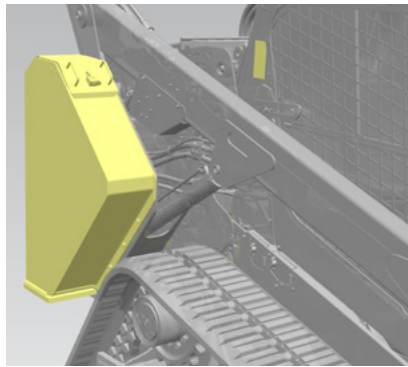
Provides foot operated control of machine as an accelerator pedal when throttle dial is less than maximum setting and provides decelerator pedal control functionality when the throttle dial is at the maximum setting. Kit includes engine speed control pedal, harness, post covers, and hardware required.



Product	Model	Series	Part Number	Estimated Install Time
SSL, MTL, CTL	All	D	388-8285	1.5 Hours

## External Fuel Tanks

Provides two steel external fuel tanks that deliver a total fuel capacity of 219 L (58 gallons).



Product	Model	Series	Part Number	Estimated Install Time
MTL, CTL	297, 299	D, D2, D3	548-3166	Recommended Dealer Install

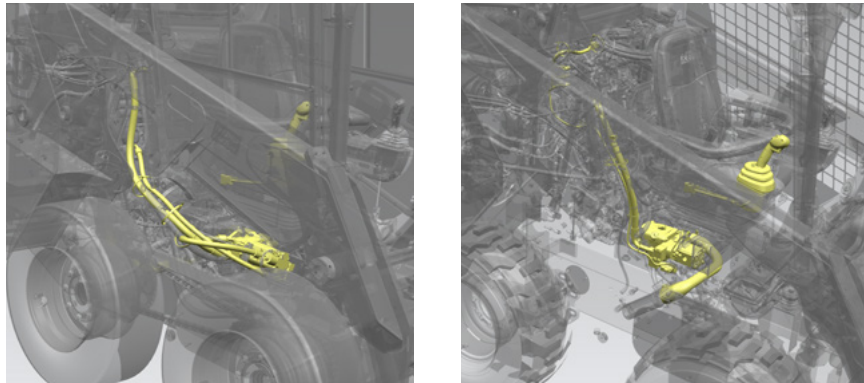
## Heated Breather Lines

Required for operating in temperatures below  $-32^{\circ}\text{C}$  ( $-25^{\circ}\text{F}$ ). Provides an insulated Closed Crankcase Breather (CCB) canister and two insulated hoses.

Product	Model	Series	Part Number	Estimated Install Time
SSL	226, 232, 239, 249	D	495-3792	2.0 Hours

## High Flow

This kit provides components required to convert the auxiliary system flow from standard flow to high flow.



Product	Model	Series	Part Number	Estimated Install Time
SSL, CTL	226, 232, 239, 249	D	421-0263*	Recommended Dealer Install
SSL, CTL	226, 232, 239, 249	D3	583-9067**	
SSL, MTL, CTL	236, 242, 257, 259	D	422-3309**	
MTL, CTL	236, 242, 257, 259	D3	583-9157**	

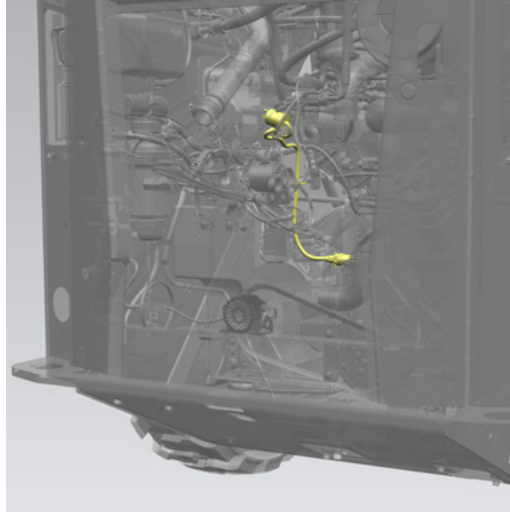
All kits only for use with machines that are configured with 4 button left hand joystick control and electrical work tool harness.

\*26 gpm/99 lpm at 3335 psi

\*\*30 gpm/113 lpm at 3335 psi

## Jacket Water Heater/Block Heater

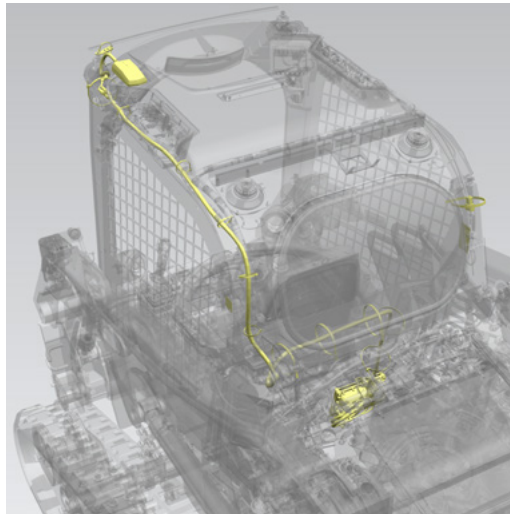
Kit provides 120V block heater to improve cold start performance. Includes heating element and short electrical cord.



Product	Model	Series	Part Number	Estimated Install Time
SSL	226, 232, 239, 249	D3	594-6293	1.0 Hour

## Product Link™ PL 641

Product Link™ Basic series PL641 uses cellular networks to transmit location, utilization and health information for viewing in Product Link user applications. Cellular technology provides capabilities for frequent transmission and larger volumes of data.

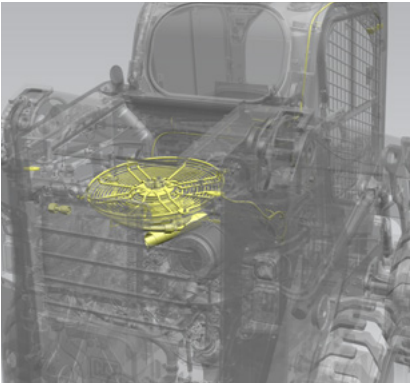
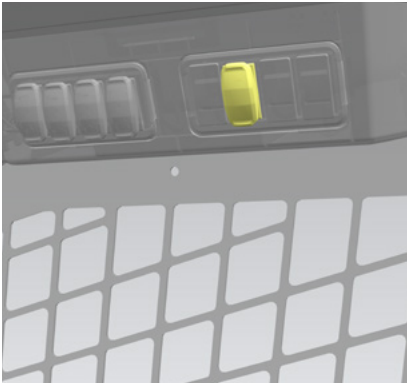


Product	Model	Series	Part Number	Estimated Install Time
SSL, MTL CTL	All	D, D2, D3	580-3680*	Recommended Dealer Install

\*The part number provided is for reference only. Individual parts must be ordered. Please contact your Cat dealer and reference media number M0107957 for parts list and proper installation instructions. Requires Cat Electronic Technician (ET) to complete installation of this kit. May not be available for all regions.

# Reversing Fan

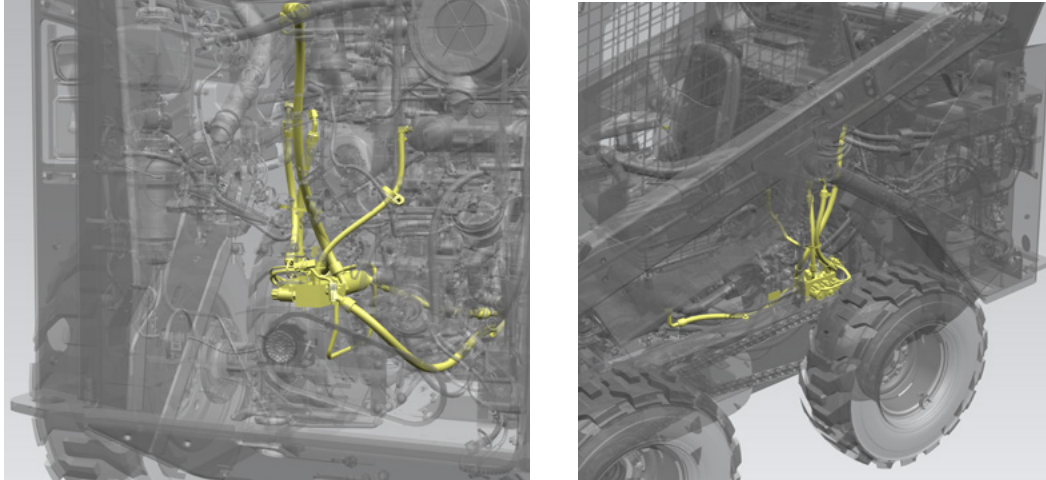
Reversing Fan provides automatic and manual purge modes to assist in removing material from the rear door intake screen. Provides both Demand Fan and Reversing Fan functionality.



Product	Model	Series	Part Number	Estimated Install Time
SSL, MTL, CTL	236, 242, 246, 257, 259, 262, 272, 277, 279, 287, 289, 297, 299	D	435-9031	Recommended Dealer Install
SSL, MTL, CTL	236, 242, 246, 257, 259, 262, 279, 289	D3	544-4102	
SSL, MTL, CTL	272, 297, 299	D2, D3	544-4103	

## Ride Control

The Ride Control feature allows the lift arms to “float” when the machine travels over rough terrain. The result is a more comfortable ride and better material retention in the bucket or better load retention on pallet forks.



Product	Model	Series	Part Number	Estimated Install Time
SSL, CTL	226, 232, 239, 249	D, D3	544-4092	Recommended Dealer Install
SSL, MTL, CTL	236, 242, 257, 259	D	481-5974*	
SSL, MTL, CTL	236, 242, 257, 259	D, D3	544-4094*	
SSL, MTL, CTL	246, 262, 277, 279, 287, 289	D, D3	544-4095	
SSL, MTL, CTL	272, 287, 299	D2, D3	544-4093	

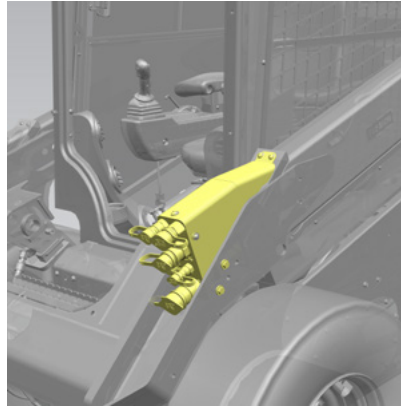
\*See chart below for part number and machine compatibility for D Series models.

Model	Serial Number Range	Part Number
<b>236D</b>	SEN00608-SEN00617, MPW01082-MPW01234, BGZ01958-BGZ02211	481-5974
<b>236D</b>	K2D00001-UP, SEN00618-UP, MPW01235-UP, BGZ02212-UP	544-4094
<b>242D</b>	DML00330-DML00351, DZT01780-DZT02099, A9W00466-A9W00487	481-5974
<b>242D</b>	HFB00001-UP, DML00352-UP, DZT02100-UP, A9W00488-UP	544-4094
<b>257D</b>	EML00122-EML00124, FMR00321-FMR00349, EZW01345-EZW01466	481-4974
<b>257D</b>	EML00125-UP, FMR00350-UP, D5T00001-UP, EZW01467-UP	544-4094
<b>259D</b>	FTK00781-FTK00856, GTK00155-GTK00156, FTL05146-FTL05913	481-4974
<b>259D</b>	LW500001-UP, FTK00857-UP, GTK00157-UP, FTL05914-UP	544-4094



## Flat Face Quick Disconnects (QD)

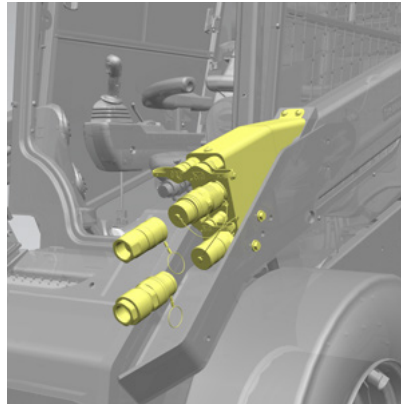
This kit provides parts to replace the 3/4-inch push-to-connect quick disconnect block with a new 3/4-inch push-to-connect block. Included are the male/female push-to-connect quick disconnect couplings, quick disconnect block, sheet metal cover, dust caps, and hardware.



Product	Model	Series	Part Number	Estimated Install Time
SSL, MTL, CTL	272, 297, 299	D, D2	570-1044	0.5 Hour

## Screw to Connect Quick Disconnects

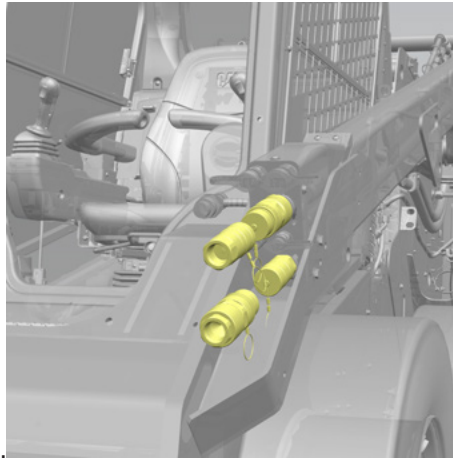
This kit provides parts to replace the 3/4-inch push-to-connect quick disconnect block with a new 3/4-inch screw-to-connect block. Included are the male/female screw-to-connect quick disconnect couplings for the machine and the male/female screw-to-connect quick disconnect couplings for an attachment, quick disconnect block, sheet metal cover, dust caps, and hardware.



Product	Model	Series	Part Number	Estimated Install Time
SSL, MTL, CTL	272, 297, 299	D, D2	570-1043	0.5 Hour

## Screw to Connect Quick Disconnects (*continued*)

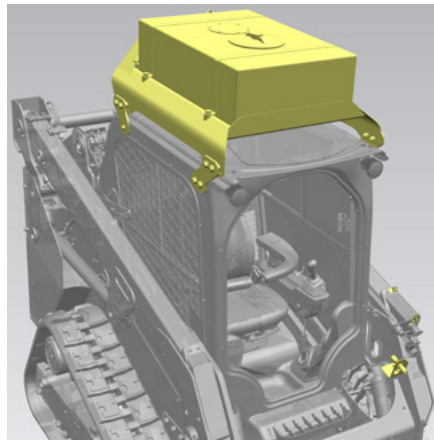
This kit provides parts to convert the 3/4-inch push-to-connect quick disconnect couplings into a screw-to-connect system. Included are the male/female screw-to-connect quick disconnect couplings for the machine and the male/female screw-to-connect quick disconnect couplings for an attachment.



Product	Model	Series	Part Number	Estimated Install Time
SSL, MTL, CTL	272 XE, 299 XE	D3	572-7968	0.5 Hour

## Water Tank

Kit provides 159 L (42 gallon) capacity water tank that is mounted to the top of the cab. Includes tank, pump, filter, lines, mounting brackets and quick disconnect.

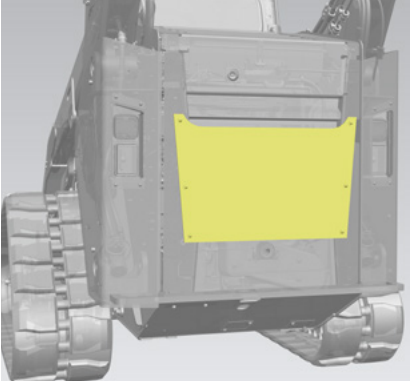
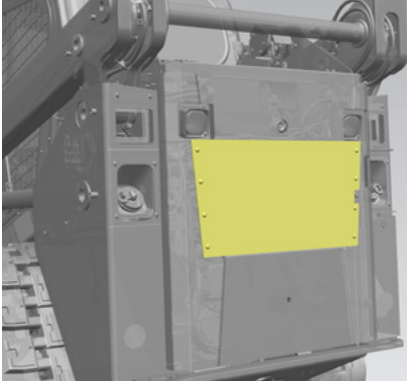


Product	Model	Series	Part Number	Estimated Install Time
SSL, MTL, CTL	All	D, D2, D3	571-6876*	9.5 Hours

\*For use only with Water Sprinkler Kits for Angle Broom, Pick Up Broom, Utility Broom or Cold Planer. This kit cannot be used with 4 Point Lifting Eyes kit, Single Point Lift kit, FOPS Level 2 Guarding kit, or Auxiliary Hydraulic Cooler kit.

# Winter Door Cover

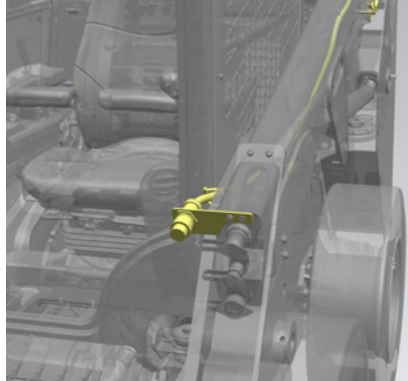
This kit is required for operating in temperatures below  $-32^{\circ}\text{C}$  ( $-25^{\circ}\text{F}$ ). Provides rear door cover to minimize air flow into the engine compartment.



Product	Model	Series	Part Number	Estimated Install Time
SSL, MTL, CTL	236, 242, 257, 259	D, D3	452-2243	1.0 Hour
SSL, MTL, CTL	246, 262, 272, 277, 279, 287, 289, 297, 299	D, D2, D3	541-3141	

## Work Tool Control Harness

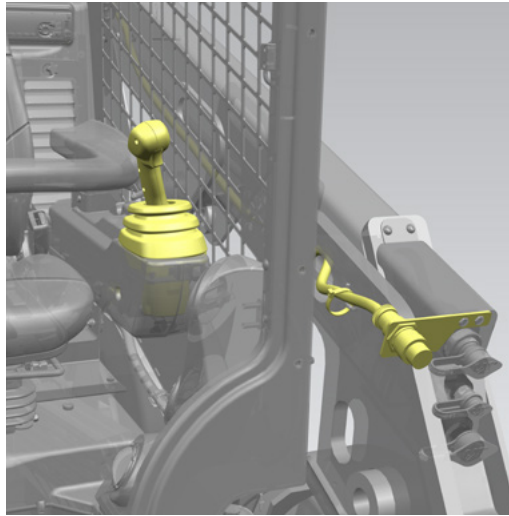
Provides electrical connection from the machine to the work tool to control advanced tool functions. Includes Work Tool Electrical switch, harness, connector and mounting hardware.



Product	Model	Series	Part Number	Estimated Install Time
SSL, CTL	226, 232, 239, 249	D3	544-4108	2.0 Hours
SSL, MTL, CTL	236, 242, 246, 257, 259, 262, 272, 279, 289, 299	D3	544-4110	
SSL, CTL	226, 232, 239, 249	D	421-0261	
SSL, MTL, CTL	236, 242, 246, 257, 259, 262, 272, 277, 279, 287, 289, 297, 299	D, D2	388-8265	

## Work Tool Harness and Joystick

Provides advanced function joystick and electrical connection from the machine to the work tool to control advanced tool functions. Includes Work Tool Electrical switch, harness, connector, mounting hardware and 4 button Left Hand Joystick.



Product	Model	Series	Part Number	Estimated Install Time
SSL, CTL	226, 232, 239, 249	D3	544-4107	3.0 Hours
SSL, MTL, CTL	236, 242, 246, 257, 259, 262, 272, 279, 289, 299	D3	544-4109	
SSL, CTL	226, 232, 239, 249	D	421-0265	
SSL, MTL, CTL	236, 242, 246, 257, 259, 262, 272, 277, 279, 287, 289, 297, 299	D, D2	388-8273	

# Notes



# Notes

AEXQ2858-03  
Replaces AEXQ2858-02  
November 2021  
(Global)

© 2021 Caterpillar. All Rights Reserved. CAT, CATERPILLAR, LET'S DO THE WORK, their respective logos, "Caterpillar Corporate Yellow," the "Power Edge" and Cat "Modern Hex" trade dress as well as corporate and product identity used herein, are trademarks of Caterpillar and may not be used without permission.

