

Compaction Wheels

for Cat[®] Excavators

Technical Specifications

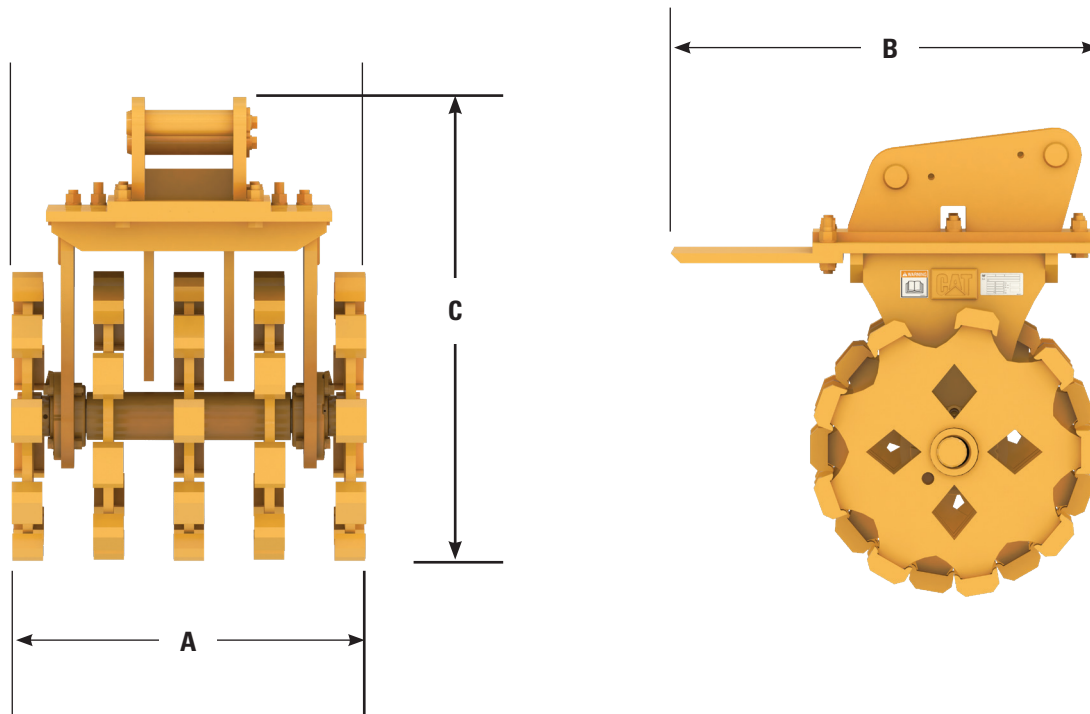
Contact your Cat[®] dealer for Compaction Wheel compatibility based on your application and machine configuration.

Table of Contents

Compaction Wheels Dimensions	2
Compaction Wheels Technical Specifications	2
Compaction Wheels Matching	3

Compaction Wheels Specifications

Compaction Wheels Dimensions



Compaction Wheels Technical Specifications

Machine Linkage	Interface Type	Part Number	Compaction Width		Number of Wheels	Number of Pads	Weight		(A) Overall Width		(B) Overall Length		(C) Overall Height	
			mm	in			kg	lb	mm	in	mm	in	mm	in
312	Pin-on	592-2519	610	24	3	27	572	1261	584	23	991	39	1168	46
		592-4537	915	36	5	45	858	1892	889	35	1092	43	1168	46
313, 314, 315F		593-2922	610	24	3	30	990	2183	584	23	1194	47	1428	56
		593-2924	915	36	4	40	1246	2745	889	35	1194	47	1428	56
315D, 316, 318		592-4122	610	24	3	30	1012	2231	584	23	1194	47	1428	56
		592-6570	915	36	4	40	1267	2793	889	35	1194	47	1428	56
B		592-6572	610	24	3	30	1012	2231	584	23	1194	47	1428	56
		592-6574	915	36	4	40	1273	2807	889	35	1194	47	1428	56
CB		592-6575	610	24	3	30	1459	3217	584	23	1397	55	1584	62
		592-6576	915	36	4	40	1835	4046	889	35	1397	55	1584	62
DB		592-6578	610	24	3	30	1479	3261	584	23	1397	55	1584	62
		592-6579	915	36	4	40	1856	4092	889	35	1397	55	1584	62
TB		592-6581	610	24	3	36	1807	3984	616	24	1473	58	1757	69
		592-6585	915	36	4	48	2225	4905	889	35	1473	58	1757	69

Compaction Wheels Specifications

Compaction Wheels Matching

Note: Match assumes standard boom/stick combinations. Fronts that change the machine linkage will require consultation. Contact your Cat dealer.

Machine Linkage	Machine Models	Part Number
312	311D/F RR, 312D/E	592-2519
		592-4537
313, 314, 315F	313F/313, 314D/E/F, 313F GC, 313 GC, 315F/315, 315 GC, 313F/313, 314D/E/F, 313 GC, 315F, 315, 315 GC	593-2922
		593-2924
315D, 316, 318	315D, 316E/F, 318E/F	592-4122
		592-6570
B	320D, 320E/F, 320, 320 GC, 320D RR, 320E RR, 321D LCR, 323F, 323, 325F CR, 325	592-6572
		592-6574
CB	324D, 324E, 326F, 326, 328D CR, 329D, 330, 330 GC, 330F, 329E/F, 335F CR	592-6575
		592-6576
DB	330D, 336D, 336/336 GC, 340, 336E, 336E H, 336F, 336F XE	592-6578
		592-6579
TB	345D, 349E/F, 349, 352F, 352	592-6581
		592-6585

For more complete information on Cat products, dealer services, and industry solutions, visit us on the web at www.cat.com

GEJQ0391-00 (2-2020)
(N Am)

© 2020 Caterpillar
All rights reserved

Materials and specifications are subject to change without notice. Featured machines in photos may include additional equipment. See your Cat dealer for available options.

CAT, CATERPILLAR, LET'S DO THE WORK, their respective logos, "Caterpillar Yellow," the "Power Edge" and Cat "Modern Hex" trade dress as well as corporate and product identity used herein, are trademarks of Caterpillar and may not be used without permission.

