



Cat[®] AD45

Underground Mining Truck

- Truck Payload Measurement System (TPMS) now offers payload scoreboards on both sides of the truck providing the LHD Operator with visual real time payload data.
- Additional camera mounted on the right hand side enhances operator visibility for the EU Stage V model and along with the reverse and cab loading cameras (optional for other machines) further assists operators to navigate the truck safely.
- Four body sizes including an ejector body to meet individual mine site requirements.
- Three engine and aftertreatment emission options to select.
- In-cab emission display for the Stage V model allows emission status monitoring.
- New Product Link™ Elite (PLE) system standard on all models provides machine health monitoring (replaces VIMS).
- ROPS/FOPS Certified Cab.
- Ergonomically designed cab provides the operator with a comfortable and productive working environment.



- Operator Presence System protects operator and takes action to ensure safety.
- Ground-level access for ease of service and maintenance.
- Optional Integrated fire suppression system.
- Optional secondary steering system for consistent truck response.

Overview

- **Availability:** From Q1 2020
- **To Order:** Contact your local dealer for more information

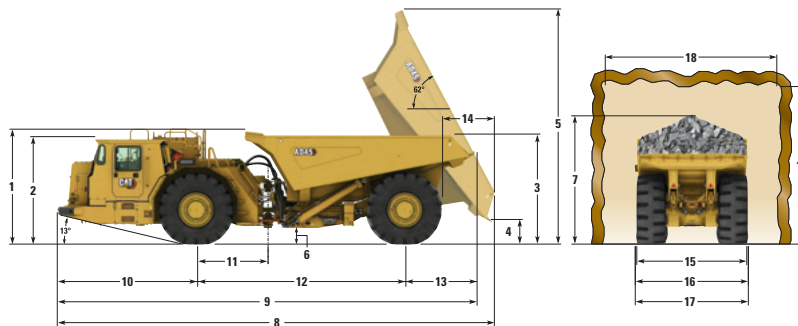
AD45 Stage V – Clean Diesel Emissions

- Meets the strictest industrial emission control standards (Stage V)
- Perfect 3-pass match with next generation LHD R1700
- Optional Stage V re-power package available to upgrade existing AD45B trucks

Cat® AD45 Underground Mining Truck

Engine		
Engine Model	Cat® C18	
Gross Power – VR Engine – ISO 14396	439 kW	589 hp
Gross Power – U.S. EPA Tier 3/ EU Stage IIIA Equivalent Engine – ISO 14396	439 kW	589 hp
Gross Power – Stage V Engine – ISO 14396	447 kW	598 hp
Bore	145 mm	5.7 in
Stroke	183 mm	7.2 in
Displacement	18.1 L	1,104.5 in ³

Operation Specifications		
Nominal Payload Capacity	45 000 kg	99,208 lb
Gross Machine Mass	88 820 kg	195,815 lb



Dimensions (All dimensions are approximate.)

	267-5319		275-0710		307-1156		361-8300	
	Dump Body (STD)		Dump Body		Dump Body		Ejector Body	
Body Capacity	21.3 m ³	27.9 yd ³	25.1 m ³	32.8 yd ³	18.0 m ³	23.5 yd ³	22.9 m ³	29.9 yd ³
1 Height – Top of Empty Body	3035 mm	119 in	3181 mm	125 in	2830 mm	111 in	3464 mm	136 in
2 Height – Top of ROPS	2820 mm	111 in	2820 mm	111 in	2820 mm	111 in	2820 mm	111 in
3 Height – Body Loading	2924 mm	115 in	3070 mm	121 in	2720 mm	107 in	3177 mm	125 in
4 Height – Dump Clearance**	659 mm	26 in	659 mm	26 in	659 mm	26 in	961 mm	38 in
5 Height – Top of Raised Body	6361 mm	250 in	6607 mm	260 in	6019 mm	237 in	N/A	N/A
6 Height – Ground Clearance	441 mm	17 in	441 mm	17 in	441 mm	17 in	441 mm	17 in
7 Height – Top of Load (SAE 2:1)	3628 mm	143 in	3834 mm	151 in	3424 mm	135 in	3920 mm	154 in
8 Length – Maximum Overall Length	11 620 mm	457 in	11 680 mm	460 in	11 535 mm	454 in	12 125 mm	477 in
9 Length – Overall Body Down	11 196 mm	441 in	11 196 mm	441 in	11 196 mm	441 in	11 325 mm	446 in
10 Length – Front Axle to Front Bumper	3720 mm	146 in	3720 mm	146 in	3720 mm	146 in	3720 mm	146 in
11 Length – Front Axle to Hitch	1920 mm	76 in	1920 mm	76 in	1920 mm	76 in	1920 mm	76 in
12 Length – Wheel Base	5570 mm	219 in	5570 mm	219 in	5570 mm	219 in	5570 mm	219 in
13 Length – Rear Axle to Tail	1906 mm	75 in	1906 mm	75 in	1906 mm	75 in	2035 mm	80 in
14 Length – Rear Wheel To Raised Body	1275 mm	50 in	1275 mm	50 in	1275 mm	50 in	1835 mm	72 in
15 Width – Overall Tire	3020 mm	119 in	3020 mm	119 in	3020 mm	119 in	3020 mm	119 in
16 Width – Machine with Body	3020 mm	118 in	3200 mm	126 in	3020 mm	118 in	3200 mm	126 in
17 Width – Machine without Body	3020 mm	119 in	3020 mm	119 in	3020 mm	119 in	3020 mm	119 in
18 Recommended Clearance Width*	4500 mm	177 in	4500 mm	177 in	4500 mm	177 in	4500 mm	177 in
19 Recommended Clearance Height*	4500 mm	177 in	4500 mm	177 in	4500 mm	177 in	4500 mm	177 in

*Clearance dimensions are for reference only.

**Measurement taken with tailgate down for ejector body.

For more complete information on Cat products, dealer services, and industry solutions, visit us on the web at www.cat.com

© 2020 Caterpillar
All rights reserved

Materials and specifications are subject to change without notice. Featured machines in photos may include additional equipment. See your Cat dealer for available options.

CAT, CATERPILLAR, LET'S DO THE WORK, their respective logos, "Caterpillar Yellow," the "Power Edge" and Cat "Modern Hex" trade dress as well as corporate and product identity used herein, are trademarks of Caterpillar and may not be used without permission.

AEXQ2859-01 (04-2020)
Replaces AEXQ2859-00
Build Number: 03A
(Global)

