



Picture shown may not represent actual configuration

Sound Attenuated Level 1 Enclosures

30 – 220 kVA

The SA Level 1 factory installed enclosures for 30 – 220 kVA incorporate internally mounted silencers. They have been designed to ensure optimum performance in harsh environments, providing safety and aesthetic value. These enclosures are of extremely rugged construction to withstand exposure to the elements and provide weather protection.

Excellent access to the serviceable components is provided with full size removable panels and lift off side hinged doors. Drain valves for oil and coolant allow for quick and easy fluid changes.

The sound attenuated Level 1 enclosures reduce sound levels to comply with the stage II levels of the European Community Directive 2000/14/EC, effective from 3 January 2006

Features

Durable and Robust Construction

- Galvanised steel protected by powder coat paint
- Black finish stainless steel locks and hinges
- Zinc plated/stainless steel fasteners

Excellent Service and Maintenance Access

- Side hinged doors on both sides of the enclosure opening to 180°
- Side hinged doors lift off at 90°
- Removable front and rear access panels
- Lube oil and coolant drain valves

Security and Safety

- Control panel viewing via large viewing window in lockable enclosure door
- Emergency stop push button mounted on enclosure exterior below control panel
- Cooling fan and battery charging alternator fully guarded
- Fuel fill and battery can only be reached via lockable access doors
- Fully enclosed exhaust silencing system for operator safety

Transportability

- Lifting points on base frame facilitating handling from both sides
- Optional tested and certified lifting arch

Generator Set Model Three Phase	LWA	50 Hz						60 Hz						
		15m (50 ft)		7m (23 ft)		1m (3.3 ft)		15m (50 ft)		7m (23 ft)		1m (3.3 ft)		
		75% Load	100% Load	75% Load	100% Load	75% Load	100% Load	75% Load	100% Load	75% Load	100% Load	75% Load	100% Load	
DE33E0	Prime	94	61	63	67	69	78	80	63	64	69	70	80	82
	Standby	94	62	64	68	70	79	81	63	65	69	71	81	82
DE33E3	Prime	94	61	62	67	68	78	79	–	–	–	–	–	–
	Standby	94	61	63	67	69	78	80	–	–	–	–	–	–
DE50E0	Prime	92	56	57	62	63	73	73	59	60	65	66	76	77
	Standby	92	56	58	62	64	73	74	59	61	65	67	76	78
DE55E0	Prime	92	56	58	62	64	73	74	59	61	65	67	76	78
	Standby	92	57	58	63	64	73	75	60	62	66	68	77	79
DE65E0	Prime	92	57	59	63	65	73	75	61	63	67	69	77	80
	Standby	92	57	59	63	65	74	76	61	64	67	70	78	81
DE65E3	Prime	93	58	59	64	65	76	77	–	–	–	–	–	–
	Standby	93	58	60	64	66	76	78	–	–	–	–	–	–
DE88E0	Prime	93	59	61	65	67	77	79	61	62	67	68	78	80
	Standby	93	60	62	66	68	78	80	61	63	67	69	79	81
DE88E3	Prime	97	60	61	66	67	76	77	–	–	–	–	–	–
	Standby	97	60	61	66	67	77	77	–	–	–	–	–	–
DE110E2	Prime	97	65	66	71	72	81	82	66	67	72	73	81	81
	Standby	97	66	66	72	72	81	82	66	67	72	73	81	82
DE110E3	Prime	97	61	61	67	67	77	77	–	–	–	–	–	–
	Standby	97	61	61	67	67	77	77	–	–	–	–	–	–
DE150E0	Prime	97	60	61	66	67	76	78	61	62	67	68	79	79
	Standby	97	60	61	66	67	77	78	61	62	67	68	79	79
DE165E0	Prime	97	62	63	68	69	79	80	65	65	71	71	82	82
	Standby	97	62	63	68	69	79	80	65	65	71	71	82	82

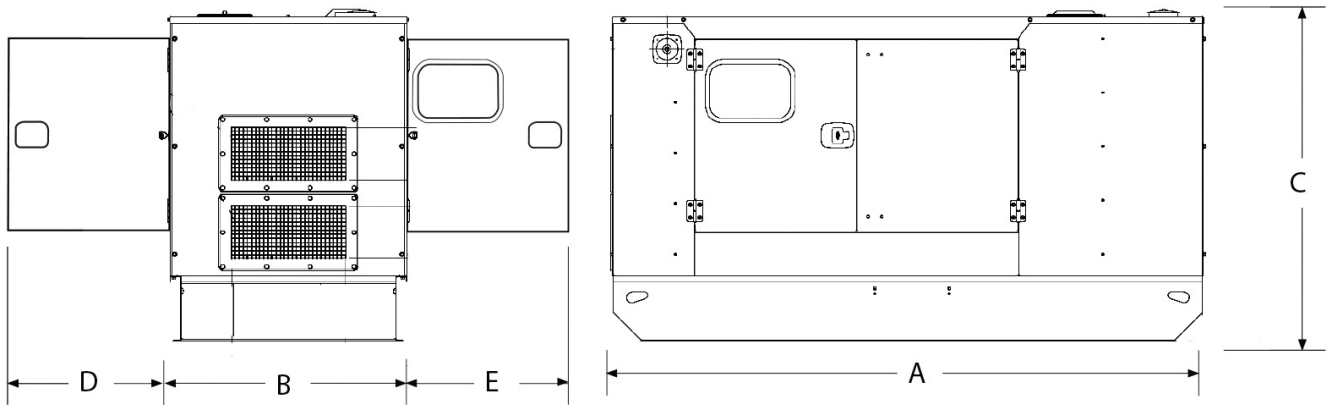
Sound Pressure Levels (dBA)

Generator Set Model Three Phase	LWA	50 Hz						60 Hz						
		15m (50 ft)		7m (23 ft)		1m (3.3 ft)		15m (50 ft)		7m (23 ft)		1m (3.3 ft)		
		75% Load	100% Load	75% Load	100% Load	75% Load	100% Load	75% Load	100% Load	75% Load	100% Load	75% Load	100% Load	
DE165E3	Prime	–	62	62	68	68	78	79	–	–	–	–	–	–
	Standby	–	62	63	68	69	78	79	–	–	–	–	–	–
DE175E3	Prime	–	62	63	68	69	78	79	–	–	–	–	–	–
	Standby	–	63	63	69	69	79	79	–	–	–	–	–	–
DE200E0	Prime	97	66	66	72	72	83	83	69	69	75	75	84	85
	Standby	97	66	66	72	72	83	83	69	69	75	75	84	85
DE200E3	Prime	–	61	62	67	68	77	77	–	–	–	–	–	–
	Standby	–	61	62	67	68	77	77	–	–	–	–	–	–
DE220E0	Prime	–	66	66	72	72	83	83	–	–	–	–	–	–
	Standby	–	66	67	72	73	83	83	–	–	–	–	–	–

Sound Pressure Levels (dBA)

Generator Set Model Single Phase	LWA	50 Hz						60 Hz						
		15m (50 ft)		7m (23 ft)		1m (3.3 ft)		15m (50 ft)		7m (23 ft)		1m (3.3 ft)		
		75% Load	100% Load	75% Load	100% Load	75% Load	100% Load	75% Load	100% Load	75% Load	100% Load	75% Load	100% Load	
DE40E0S	Prime	93	56	57	62	63	73	73	59	60	65	66	76	77
	Standby	93	56	58	62	64	73	74	59	61	65	67	76	78
DE50E0S	Prime	92	57	58	63	64	73	75	60	62	66	68	77	79
	Standby	92	57	59	63	65	74	75	61	63	67	69	77	80
DE55E3S	Prime	93	58	59	64	65	76	78	–	–	–	–	–	–
	Standby	93	59	60	65	66	77	78	–	–	–	–	–	–
DE90E2S	Prime	97	65	66	71	72	82	82	66	67	72	73	82	82
	Standby	97	66	66	72	72	82	83	66	67	72	73	82	83
DE90E3S	Prime	97	61	61	67	67	77	77	–	–	–	–	–	–
	Standby	97	61	61	67	67	77	77	–	–	–	–	–	–

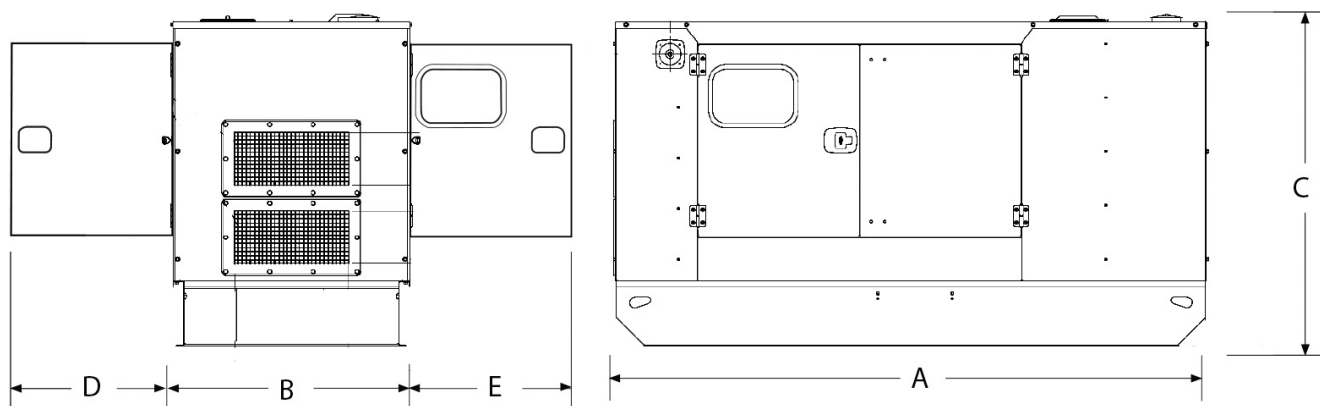
Weights and Dimensions



Generator Set Model Three Phase	A: mm (in)	B: mm (in)	C: mm (in)	D*: mm (in)	E*: mm (in)	Fuel Capacity: l (US gal)	Weight: kg (lb)
DE33E0	1863 (73.4)	899 (35.4)	1348 (53.1)	808 (31.8)	854 (33.6)	56 (14.8)	846 (1865)
DE33E3	1863 (73.4)	899 (35.4)	1348 (53.1)	808 (31.8)	854 (33.6)	56 (14.8)	846 (1865)
DE50E0	2291 (90.2)	1026 (40.4)	1433 (56.4)	1000 (39.4)	723 (28.5)	145 (38.3)	1025 (2260)
DE55E0	2291 (90.2)	1026 (40.4)	1433 (56.4)	1000 (39.4)	723 (28.5)	145 (38.3)	1025 (2260)
DE65E0	2291 (90.2)	1026 (40.4)	1433 (56.4)	1000 (39.4)	723 (28.5)	145 (38.3)	1067 (2352)
DE65E3	2291 (90.2)	1026 (40.4)	1534 (60.4)	1001 (39.4)	723 (28.5)	188 (49.7)	1107 (2440)
DE88E0	2291 (90.2)	1126 (44.3)	1534 (60.4)	1001 (39.4)	723 (28.5)	188 (49.7)	1202 (2650)
DE88E3	2761 (108.7)	1126 (44.3)	1539 (60.6)	1001 (39.4)	723 (28.5)	212 (56.0)	1401 (3089)
DE110E2	2761 (108.7)	1126 (44.3)	1539 (60.6)	1001 (39.4)	723 (28.5)	212 (56.0)	1400 (3087)
DE110E3	2761 (108.7)	1126 (44.3)	1539 (60.6)	1001 (39.4)	723 (28.5)	212 (56.0)	1460 (3219)
DE150E0	3511 (138.2)	1126 (44.3)	1686 (66.4)	996 (39.2)	1000 (39.4)	289 (76.3)	1754 (3867)
DE165E0	3511 (138.2)	1126 (44.3)	1686 (66.4)	996 (39.2)	1000 (39.4)	289 (76.3)	1892 (4171)
DE165E3	3511 (138.2)	1126 (44.3)	1686 (66.4)	996 (39.2)	1000 (39.4)	289 (76.3)	1937 (4270)
DE175E3	3511 (138.2)	1126 (44.3)	1686 (66.4)	996 (39.2)	1000 (39.4)	289 (76.3)	1937 (4270)
DE200E0	3511 (138.2)	1325 (52.2)	1684 (63.4)	973 (38.3)	981 (38.6)	384 (101.4)	2089 (4606)
DE200E3	3511 (138.2)	1325 (52.2)	1684 (63.4)	973 (38.3)	981 (38.6)	384 (101.4)	2134 (4705)
DE220E0	3511 (138.2)	1325 (52.2)	1684 (63.4)	973 (38.3)	981 (38.6)	384 (101.4)	2159 (4760)

*Clearance required on both sides. Weight with lube oil, coolant, no fuel.

Weights and Dimensions



Generator Set Model Single Phase	A: mm (in)	B: mm (in)	C: mm (in)	D*: mm (in)	E*: mm (in)	Fuel Capacity: l (US gal)	Weight: kg (lb)
DE40E0S	2291 (90.2)	1026 (40.4)	1433 (56.4)	1001 (39.4)	723 (28.5)	145 (38.3)	994 (2191)
DE50E0S	2291 (90.2)	1026 (40.4)	1433 (56.4)	1001 (39.4)	723 (28.5)	145 (38.3)	1102 (2429)
DE55E3S	2291 (90.2)	1126 (44.3)	1534 (60.4)	1001 (39.4)	723 (28.5)	188 (49.7)	1142 (2518)
DE90E2S	2761 (108.7)	1126 (44.3)	1539 (60.6)	1001 (39.4)	723 (28.5)	212 (56.0)	1398 (3082)
DE90E3S	2761 (108.7)	1126 (44.3)	1539 (60.6)	1001 (39.4)	723 (28.5)	212 (56.0)	1430 (3153)

*Clearance required on both sides. Weight with lube oil, coolant, no fuel.

LET'S DO THE WORK.™