



# Cat<sup>®</sup> 420 XE

## BACKHOE LOADER

The Cat<sup>®</sup> 420 XE Backhoe Loaders delivers exceptional performance, increased fuel efficiency, superior hydraulic system, versatility and an updated operator station. The 420 XE feature the following:

- **Ergonomic Operator Station** – Adjustable Seat Mounted Controls improve ergonomics by increasing operator comfort and legroom. Operators have Loader and Backhoe Controls in the palm of their hands, whether they are facing the Loader, the Backhoe, or sitting off set for better visibility. The new Spring Applied Hydraulically Released (SAHR) Parking Brake is controlled by simply pressing a button.
- **Load Sensing Hydraulics** – The Cat Backhoe Loader's load sensing piston pump provides full hydraulic lifting and digging forces at any engine speed. Variable flow pump matches hydraulic power to work demands.
- **Machine Performance** – The Cat C3.6 engine delivers solid performance and meets U.S. EPA Tier 4 Final/EU Stage V emission standards by utilizing Selective Catalytic Reduction technology with a Diesel Oxidation Catalyst. The system allows the operator to disconnect the machine, even while the diesel exhaust fluid is being purged from the system.
- **Machine Versatility** – The all new Integrated Tool Carrier (IT Coupler) for Single Tilt Loader Arm configurations are available from the factory or for simple field installation. The Cat Backhoe Loader with Integrated Tool Carrier (IT Coupler) will be the most versatile machine on the job site providing quick connection to a variety of Cat Attachments.
- **Cat Attachments** – A large portfolio of Backhoe Loader Attachments, including but not limited to, Quick Couplers (QC), Thumbs, assorted Buckets, and Brooms are available from the factory or for field installation. Cat Backhoe Loaders will be "Dirt Ready" upon delivery.
- **Powershift Transmission** – A Four Speed Powershift Transmission is standard to make shifting gears smooth and as simple as twisting the Powershuttle Lever.
- **Lift Performance** – The redesigned boom cylinder increases lift performance by 15%.

## Specifications

### Engine

Engine	C3.6	C3.6	C3.6	C3.6
Engine	C3.6	C3.6	C3.6	C3.6
	74.5 kW (100 hp)	82 kW (110 hp)	82 kW (110 hp)	82 kW (110 hp)
	Electronic Turbo Intercooled	Electronic Turbo Intercooled	Electronic Turbo Intercooled	Electronic Turbo Intercooled
Ratings at 2,200 rpm				
Gross Power SAE J1995	76 kW	102 hp	84 kW	114 hp
Gross Power ISO 14396	74 kW	100 hp	82 kW	111 hp
Net Power Rating at 2,200 rpm				
SAE J1349	68 kW	92 hp	76 kW	103 hp
ISO 9249	68 kW	91 hp	75 kW	102 hp
Net Peak Power Rating at 1,800 rpm				
SAE J1349	79 kW	105 hp	82 kW	109 hp
ISO 9249	78 kW	105 hp	82 kW	109 hp
Dimensions				
Bore	98 mm	3.86 in	98 mm	3.86 in
Stroke	120 mm	4.72 in	120 mm	4.72 in
Displacement	3.6 L	220 in <sup>3</sup>	3.6 L	220 in <sup>3</sup>
Torque Rise (net) at 1,400 rpm	47%		48%	
SAE J1349 Net	436 N-m	322 lb-ft	485 N-m	358 lb-ft
Power Rating Conditions				
No de-rating required up to	3048 m	10,000 ft	3048 m	10,000 ft
• Engine meets Tier 4 Final/Stage V emission standards.				

### Weights\*

Weights*	kg	lb
Operating Weight (estimated)	7834 kg	17,271 lb
Operating Weight (maximum) (Rollover Protective Structure (ROPS) capacity)	11 000 kg	24,251 lb
Operating Weight (minimum) Cab, ROPS/Falling Object Protective Structure (FOPS)	7384 kg	16,279 lb
Power-Shift Transmission	STD	STD
Ride Control	15 kg	33 lb
Air Conditioning	45 kg	99 lb
All-Wheel Drive	STD	STD
Multi Purpose (MP) bucket (0.96 m <sup>3</sup> /1.25 yd <sup>3</sup> )		
with fold-over forks	915 kg	2,017 lb
without fold-over forks	745 kg	1,642 lb
Loader Quick Coupler	245 kg	540 lb
Extendible Stick (excludes ft. counterweight)	270 kg	595 lb
Counterweights, base	115 kg	256 lb
Stackable, one	240 kg	529 lb
Maximum	460 kg	1,014 lb

\*Machine configuration: standard stick hoe, Open Roll Over Protective Structure (OROPS) canopy, All Wheel Drive (AWD) power shift transmission, 0.96 m<sup>3</sup> (1.25 yd<sup>3</sup>) GP (General Purpose) loader bucket, 610 mm (24 in) standard duty hoe bucket, front 340/80-18 and rear 500/70-24 tires, 240 kg (530 lb) counterweight, 80 kg (176 lb) operator, full fuel tank.



# 420 XE Backhoe Loader

## Transmission\*

### Power Shift Transmission – Standard

Forward – 1st	5.9 km/h	3.7 mph
2nd	9.4 km/h	5.8 mph
3rd	20 km/h	12 mph
4th	41 km/h	25 mph
Reverse – 1st	5.9 km/h	3.7 mph
2nd	12.4 km/h	7.7 mph
3rd	27 km/h	17 mph

	Power-Shift Transmission – Optional		Power-Shift Transmission with LTC – Optional	
Forward – 1st	5.9 km/h	3.7 mph	5.9 km/h	3.7 mph
2nd	9.4 km/h	5.8 mph	9.4 km/h	5.8 mph
3rd	12 km/h	8 mph	12 km/h	8 mph
4th	20 km/h	12 mph	20 km/h	12 mph
5th	27 km/h	17 mph	27 km/h	17 mph
5th LTC	—	—	29 km/h	18 mph
6th	41 km/h	25 mph	41 km/h	25 mph
6th LTC**	—	—	40 km/h	25 mph
Reverse – 1st	5.9 km/h	3.7 mph	5.9 km/h	3.7 mph
2nd	12 km/h	7.7 mph	12 km/h	7.7 mph
3rd	27 km/h	17 mph	27 km/h	17 mph

\*Travel speeds of two wheel drive backhoe loader at full throttle, when equipped with 500/70-24 rear tires.

\*\*Limited by engine speed to 40 km/h (25 mph).

## Axle Ratings

### Front Axle, AWD

Static	23 500 kg	51,808 lb
Dynamic	9000 kg	19,841 lb

### Rear Axle

Static	26 500 kg	58,422 lb
Dynamic	10 000 kg	22,046 lb

## Hydraulic System

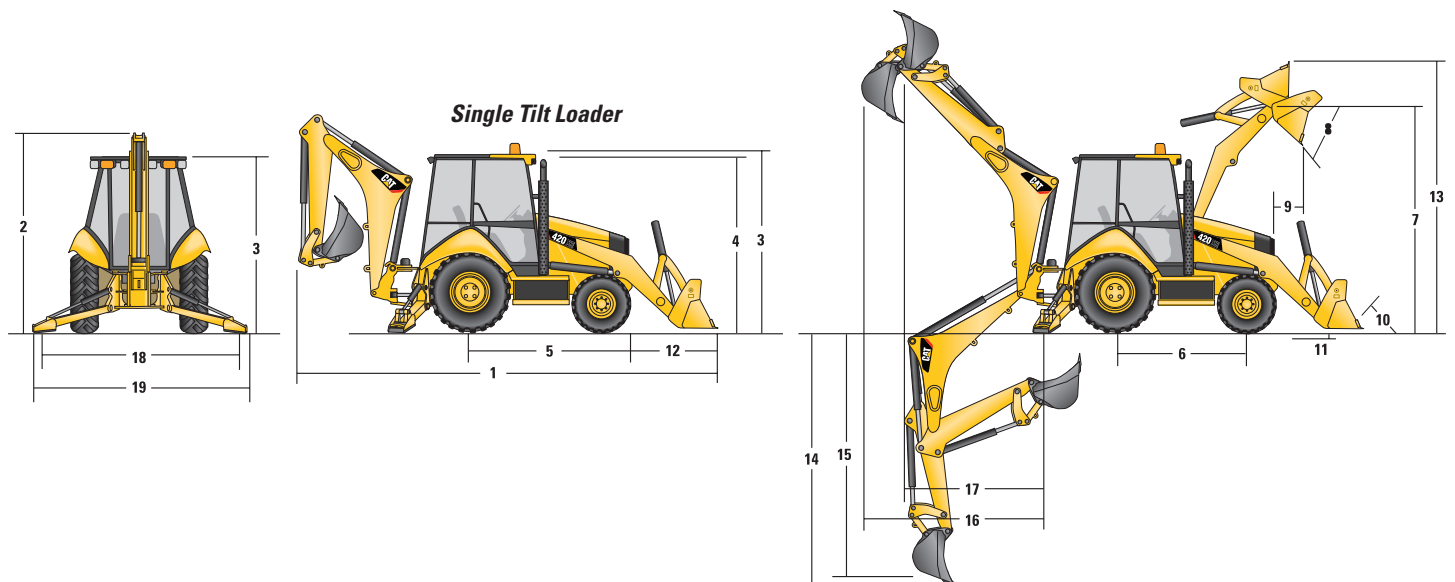
Type	Closed Center	
Pump Type	Variable-flow, Axial Piston	
Pump Capacity @ 2,200 rpm	187 L/min	49.4 gal/min
System Pressure		
Backhoe	25 000 kPa	3,626 psi
Loader	25 000 kPa	3,626 psi

## Steering

Type	Front Wheel Steering	
Power Steering	Hydrostatic	
One Double-Acting Cylinder		
Bore	65 mm	2.6 in
Stroke	106 mm	4.2 in
Rod Diameter	40 mm	1.6 in
Axle Oscillation	11°	
Turning Circle – (inner wheel not braked)		
Outside front wheels	8.205 m	26'11"
Outside widest loader bucket	10.745 m	35'3"

## Service Refill Capacities

Cooling System with Air Conditioning	18.0 L	4.8 gal
Fuel Tank	160.0 L	42.3 gal
Engine Oil with Filter	9.0 L	2.4 gal
Diesel Exhaust Fluid (DEF)	19.0 L	5.0 gal
Transmission – Power shuttle		
AWD	18.0 L	4.8 gal
Transmission – Power Shift		
AWD	19.0 L	5.0 gal
Rear Axle	16.0 L	4.2 gal
Planetaries	1.7 L	0.4 gal
Front Axle (AWD)	11.0 L	2.9 gal
Planetaries	0.7 L	0.2 gal
Hydraulic System	95.0 L	25.1 gal
Hydraulic Tank	42.0 L	11.1 gal



## Dimensions

Machine configuration: standard stick hoe, OROPS canopy, AWD power shift transmission, 0.96 m<sup>3</sup> (1.25 yd<sup>3</sup>) GP loader bucket, 610 mm (24 in) standard duty hoe bucket, 340/80-18 and rear 500/70-24 tires, 240 kg (530 lb) counterweight, 80 kg (176 lb) operator, full fuel tank.

### Single Tilt Loader with Pin-On Buckets

	0.96 m <sup>3</sup> (1.25 yd <sup>3</sup> ) GP	1.0 m <sup>3</sup> (1.31 yd <sup>3</sup> ) GP	1.07 m <sup>3</sup> (1.40 yd <sup>3</sup> ) GP	1.15 m <sup>3</sup> (1.50 yd <sup>3</sup> ) GP	1.0 m <sup>3</sup> (1.31 yd <sup>3</sup> ) MP	1.07 m <sup>3</sup> (1.40 yd <sup>3</sup> ) MP
1 Overall Length (loader on ground) – S-Stick – mm (ft/in)	7132 (23'5")	7087 (23'3")	7153 (23'6")	7153 (23'6")	7060 (23'2")	7060 (23'2")
Overall Length (loader on ground) – E-Stick – mm (ft/in)	7138 (23'5")	7093 (23'3")	7158 (23'6")	7158 (23'6")	7066 (23'2")	7066 (23'2")
Overall Transport Length – S-Stick – mm (ft/in)	7163 (23'6")	7130 (23'5")	7201 (23'7")	7201 (23'7")	7131 (23'5")	7131 (23'5")
Overall Transport Length – E-Stick – mm (ft/in)	7190 (23'7")	7135 (23'5")	7206 (23'8")	7206 (23'8")	7136 (23'5")	7136 (23'5")
2 Overall Transport Height – Standard Stick – mm (ft/in)	3645 (12'0")	3645 (12'0")	3645 (12'0")	3645 (12'0")	3645 (12'0")	3645 (12'0")
Overall Transport Height – Extendible Stick – mm (ft/in)	3665 (12'0")	3665 (12'0")	3665 (12'0")	3665 (12'0")	3665 (12'0")	3665 (12'0")
Overall Width – mm (ft/in)	2248 (7'5")	2248 (7'5")	2248 (7'5")	2248 (7'5")	2248 (7'5")	2248 (7'5")
3 Height to Top of Cab/Canopy – mm (ft/in)	2815 (9'3")	2815 (9'3")	2815 (9'3")	2815 (9'3")	2815 (9'3")	2815 (9'3")
4 Height to Top of Exhaust Stack – mm (ft/in)	2720 (8'11")	2720 (8'11")	2720 (8'11")	2720 (8'11")	2720 (8'11")	2720 (8'11")
Height to Loader Hinge Pin (transport) – mm (ft/in)	378 (1'3")	378 (1'3")	422 (1'5")	422 (1'5")	420 (1'5")	420 (1'5")
Ground Clearance (Left Hand [LH] step) – mm (ft/in)	316 (1'0")	316 (1'0")	316 (1'0")	316 (1'0")	316 (1'0")	316 (1'0")
Ground Clearance (AWD guard) – mm (ft/in)	312 (1'0")	312 (1'0")	312 (1'0")	312 (1'0")	312 (1'0")	312 (1'0")
Ground Clearance (485 kg/1,070 lb counterweight) – mm (ft/in)	289 (0'11")	289 (0'11")	289 (0'11")	289 (0'11")	289 (0'11")	289 (0'11")
5 Rear Axle Centerline to Front Grill – mm (ft/in)	2706 (8'11")	2706 (8'11")	2706 (8'11")	2706 (8'11")	2706 (8'11")	2706 (8'11")
Front Wheel Tread Gauge – mm (ft/in)	1895 (6'3")	1895 (6'3")	1895 (6'3")	1895 (6'3")	1895 (6'3")	1895 (6'3")
Rear Wheel Tread Gauge – mm (ft/in)	1728 (5'8")	1728 (5'8")	1728 (5'8")	1728 (5'8")	1728 (5'8")	1728 (5'8")
6 Wheelbase – mm (ft/in)	2200 (7'3")	2200 (7'3")	2200 (7'3")	2200 (7'3")	2200 (7'3")	2200 (7'3")

### Single Tilt Loader with Quick Coupler

	0.96 m <sup>3</sup> (1.25 yd <sup>3</sup> ) GP	1.0 m <sup>3</sup> (1.31 yd <sup>3</sup> ) GP	1.15 m <sup>3</sup> (1.50 yd <sup>3</sup> ) GP	1.0 m <sup>3</sup> (1.31 yd <sup>3</sup> ) MP	1.07 m <sup>3</sup> (1.40 yd <sup>3</sup> ) MP
1 Overall Length (loader on ground) – S-Stick – mm (ft/in)	7314 (24'0")	7269 (23'10")	7311 (24'0")	7221 (23'8")	7221 (23'8")
Overall Length (loader on ground) – E-Stick – mm (ft/in)	7319 (24'0")	7275 (23'10")	7316 (24'0")	7226 (23'9")	7226 (23'9")
Overall Transport Length – S-Stick – mm (ft/in)	7290 (23'11")	7257 (23'10")	7288 (23'11")	7219 (23'8")	7219 (23'8")
Overall Transport Length – E-Stick – mm (ft/in)	7296 (23'11")	7262 (23'10")	7294 (23'11")	7224 (23'8")	7224 (23'8")
2 Overall Transport Height – Standard Stick – mm (ft/in)	3645 (12'0")	3645 (12'0")	3645 (12'0")	3645 (12'0")	3645 (12'0")
Overall Transport Height – Extendible Stick – mm (ft/in)	3665 (12'0")	3665 (12'0")	3665 (12'0")	3665 (12'0")	3665 (12'0")
Overall Width – mm (ft/in)	2248 (7'5")	2248 (7'5")	2248 (7'5")	2248 (7'5")	2248 (7'5")
3 Height to Top of Cab/Canopy – mm (ft/in)	2815 (9'3")	2815 (9'3")	2815 (9'3")	2815 (9'3")	2815 (9'3")
4 Height to Top of Exhaust Stack – mm (ft/in)	2720 (8'11")	2720 (8'11")	2720 (8'11")	2720 (8'11")	2720 (8'11")
Height to Loader Hinge Pin (transport) – mm (ft/in)	345 (1'2")	346 (1'2")	346 (1'2")	344 (1'2")	344 (1'2")
Ground Clearance (LH step) – mm (ft/in)	316 (1'0")	316 (1'0")	316 (1'0")	316 (1'0")	316 (1'0")
Ground Clearance (AWD guard) – mm (ft/in)	312 (1'0")	312 (1'0")	312 (1'0")	312 (1'0")	312 (1'0")
Ground Clearance (485 kg/1,070 lb counterweight) – mm (ft/in)	289 (0'11")	289 (0'11")	289 (0'11")	289 (0'11")	289 (0'11")
5 Rear Axle Centerline to Front Grill – mm (ft/in)	2706 (8'11")	2706 (8'11")	2706 (8'11")	2706 (8'11")	2706 (8'11")
Front Wheel Tread Gauge – mm (ft/in)	1895 (6'3")	1895 (6'3")	1895 (6'3")	1895 (6'3")	1895 (6'3")
Rear Wheel Tread Gauge – mm (ft/in)	1728 (5'8")	1728 (5'8")	1728 (5'8")	1728 (5'8")	1728 (5'8")
6 Wheelbase – mm (ft/in)	2200 (7'3")	2200 (7'3")	2200 (7'3")	2200 (7'3")	2200 (7'3")

# 420 XE Backhoe Loader

## Dimensions

Machine configuration: standard stick hoe, OROPS canopy, AWD power shift transmission, 0.96 m<sup>3</sup> (1.25 yd<sup>3</sup>) GP loader bucket, 610 mm (24 in) standard duty hoe bucket, 340/80-18 and rear 500/70-24 tires, 240 kg (530 lb) counterweight, 80 kg (176 lb) operator, full fuel tank.

## Loader Bucket Dimensions and Performance

	Single Tilt Loader with Pin-On Buckets											
	0.96 m <sup>3</sup> (1.25 yd <sup>3</sup> ) GP		1.0 m <sup>3</sup> (1.31 yd <sup>3</sup> ) GP		1.07 m <sup>3</sup> (1.40 yd <sup>3</sup> ) GP		1.15 m <sup>3</sup> (1.50 yd <sup>3</sup> ) GP		1.0 m <sup>3</sup> (1.31 yd <sup>3</sup> ) MP		1.07 m <sup>3</sup> (1.40 yd <sup>3</sup> ) MP	
Capacity (SAE rated) – m <sup>3</sup> (yd <sup>3</sup> )	0.96	(1.26)	1.00	(1.31)	1.07	(1.40)	1.15	(1.50)	1.00	(1.31)	1.07	(1.40)
Overall Bucket Width – mm (in)	2262	(89)	2406	(95)	2262	(89)	2406	(95)	2279	(90)	2425	(95)
Lift Capacity at Maximum Height – kg (lb)	3280	(7,230)	3286	(7,245)	3213	(7,084)	3192	(7,038)	3059	(6,745)	3047	(6,717)
Lift Breakout Force – N (lbf)	50 179	(11,280)	50 941	(11,452)	49 644	(11,160)	49 467	(11,120)	49 114	(11,041)	49 017	(11,019)
Tilt Breakout Force – N (lbf)	49 891	(11,216)	53 037	(11,923)	50 945	(11,452)	50 834	(11,428)	56 242	(12,643)	56 166	(12,626)
Tipping Load at Breakout Point – kg (lb)	6663	(14,689)	6821	(15,038)	6562	(14,467)	6545	(14,430)	6699	(14,769)	6690	(14,748)
7 Maximum Hinge Pin Height – mm (ft/in)	3488	(11'5")	3488	(11'5")	3488	(11'5")	3488	(11'5")	3488	(11'5")	3488	(11'5")
8 Dump Angle at Full Height – degrees	44°		44°		44°		44°		44°		44°	
Dump Height at Maximum Angle – mm (ft/in)	2758	(9'1")	2790	(9'2")	2736	(9'0")	2736	(9'0")	2803	(9'2")	2803	(9'2")
9 Dump Reach at Maximum Angle – mm (ft/in)	807	(2'8")	774	(2'6")	773	(2'6")	773	(2'6")	722	(2'4")	722	(2'4")
10 Maximum Bucket Rollback at Ground Level – degrees	36°		36°		37°		37°		37°		37°	
11 Digging Depth – mm (ft/in)	70	(0'3")	70	(0'3")	110	(0'4")	110	(0'4")	97	(0'4")	97	(0'4")
Maximum Grading Angle – degrees	113°		114°		114°		114°		116°		116°	
Width of Dozer Cutting Edge – mm (ft/in)	N/A		N/A		N/A		N/A		2262	(7'5")	2406	(7'11")
12 Grill to Bucket Cutting Edge, Carry Position – mm (ft/in)	1480	(4'10")	1447	(4'9")	1518	(5'0")	1517	(5'0")	1447	(4'9")	1447	(4'9")
13 Maximum Operating Height – mm (ft/in)	4356	(14'3")	4354	(14'3")	4366	(14'4")	4397	(14'5")	4378	(14'4")	4407	(14'6")
Jaw Opening Maximum – mm (ft/in)	N/A		N/A		N/A		N/A		843	(2'9")	843	(2'9")
Bucket Jaw Clamping Force – N (lbf)	N/A		N/A		N/A		N/A		40 160	(9,028)	40 261	(9,051)
Weight (does not include teeth or forks) – kg (lb)	451	(994)	462	(1,019)	473	(1,043)	493	(1,087)	745	(1,642)	774	(1,706)

	Single Tilt Loader with Quick Coupler									
	0.96 m <sup>3</sup> (1.25 yd <sup>3</sup> ) GP		1.0 m <sup>3</sup> (1.31 yd <sup>3</sup> ) GP		1.15 m <sup>3</sup> (1.50 yd <sup>3</sup> ) GP		1.0 m <sup>3</sup> (1.31 yd <sup>3</sup> ) MP		1.07 m <sup>3</sup> (1.40 yd <sup>3</sup> ) MP	
Capacity (SAE rated) – m <sup>3</sup> (yd <sup>3</sup> )	0.96	(1.26)	1.00	(1.31)	1.15	(1.50)	1.00	(1.31)	1.07	(1.40)
Overall Bucket Width – mm (in)	2262	(89)	2406	(95)	2406	(95)	2279	(90)	2425	(95)
Lift Capacity at Maximum Height – kg (lb)	3361	(7410)	3364	(7416)	3328	(7336)	3245	(7153)	3207	(7069)
Lift Breakout Force – N (lbf)	51 954	(11,679)	52 665	(11,839)	51 662	(11,614)	51 690	(11,620)	51 431	(11,562)
Tilt Breakout Force – N (lbf)	51 516	(11,581)	54 168	(12,177)	51 227	(11,516)	55 471	(12,470)	55 300	(12,431)
Tipping Load at Breakout Point – kg (lb)	5883	(12,971)	6007	(13,243)	5858	(12,915)	5982	(13,187)	5957	(13,132)
7 Maximum Hinge Pin Height – mm (ft/in)	3488	(11'5")	3488	(11'5")	3488	(11'5")	3488	(11'5")	3488	(11'5")
8 Dump Angle at Full Height – degrees	44°		44°		44°		44°		44°	
Dump Height at Maximum Angle – mm (ft/in)	2623	(8'7")	2654	(8'9")	2625	(8'7")	2690	(8'10")	2690	(8'10")
9 Dump Reach at Maximum Angle – mm (ft/in)	887	(2'11")	855	(2'10")	886	(2'11")	832	(2'9")	832	(2'9")
10 Maximum Bucket Rollback at Ground Level – degrees	37°		37°		37°		37°		37°	
11 Digging Depth – mm (ft/in)	111	(0'4")	111	(0'4")	110	(0'4")	101	(0'4")	101	(0'4")
Maximum Grading Angle – degrees	109°		110°		109°		111°		111°	
Width of Dozer Cutting Edge – mm (ft/in)	N/A		N/A		N/A		2262	(7'5")	2406	(7'11")
12 Grill to Bucket Cutting Edge, Carry Position – mm (ft/in)	1607	(5'3")	1573	(5'2")	1605	(5'3")	1535	(5'0")	1535	(5'0")
13 Maximum Operating Height – mm (ft/in)	4439	(14'7")	4406	(14'5")	4484	(14'9")	4476	(14'8")	4531	(14'10")
Jaw Opening Maximum – mm (ft/in)	N/A		N/A		N/A		843	(2'9")	843	(2'9")
Bucket Jaw Clamping Force – N (lbf)	N/A		N/A		N/A		40 185	(9,034)	40 286	(9,056)
Weight (does not include teeth or forks) – kg (lb)	447	(985)	457	(1,008)	481	(1,060)	724	(1,596)	753	(1,660)

## Dimensions

Machine configuration: standard stick hoe, OROPS canopy, AWD power shift transmission, 0.96 m<sup>3</sup> (1.25 yd<sup>3</sup>) GP loader bucket, 610 mm (24 in) standard duty hoe bucket, 340/80-18 and rear 500/70-24 tires, 240 kg (530 lb) counterweight, 80 kg (176 lb) operator, full fuel tank.

## Backhoe Dimensions and Performance

	Standard Stick		E-Stick Retracted		E-Stick Extended	
<b>14</b> Digging Depth, SAE (max.) – mm (ft/in)	4278	(14'0")	4319	(14'2")	5372	(17'7")
<b>15</b> Digging Depth, 2440 mm (8 ft) Flat Bottom – mm (ft/in)	3900	(12'10")	3944	(12'11")	5074	(16'8")
Digging Depth, 610 mm (2 ft) Flat Bottom – mm (ft/in)	4240	(13'11")	4280	(14'1")	5335	(17'6")
Reach from Rear Axle Centerline at Ground Line – mm (ft/in)	6690	(21'11")	6726	(22'1")	7731	(25'4")
<b>16</b> Reach from Swing Pivot at Ground Line – mm (ft/in)	5600	(18'4")	5636	(18'6")	6641	(21'9")
Maximum Operating Height – mm (ft/in)	5598	(18'4")	5622	(18'5")	6364	(20'11")
Loading Height – mm (ft/in)	3709	(12'2")	3666	(12'0")	4237	(13'11")
<b>17</b> Loading Reach – mm (ft/in)	1845	(6'1")	1932	(6'4")	2850	(9'4")
Swing Arc	180°		180°		180°	
Bucket Rotation	205°		204°		204°	
<b>18</b> Stabilizer Spread, Operating Position (center) – mm (ft/in)	3310	(10'10")	3310	(10'10")	3310	(10'10")
Stabilizer Spread, Operating Position (outside) – mm (ft/in)	3770	(12'4")	3770	(12'4")	3770	(12'4")
Stabilizer Spread, Transport Position – mm (ft/in)	2322	(7'7")	2322	(7'7")	2322	(7'7")
Bucket Dig Force – N (lbf)	64 193	(14,431)	63 292	(14,229)	63 292	(14,229)
Stick Dig Force – N (lbf)	43 529	(9,786)	43 395	(9,756)	31 684	(7,123)

## Dimensions with Forks/Material Handling Arm

Fork Tine Length	1070 mm (3'6")		1220 mm (4'0")		1370 mm (4'10")	
Operating Load (SAE J1197) – kg (lb)	2295	(5,060)	2221	(4,897)	2135	(4,708)
SAE Load Center – mm (in)	535	(1'9")	610	(2'0")	685	(2'3")
Operating Load (CEN 474-4) – kg (lb)	2352	(5,186)	2337	(5,151)	2320	(5,115)
CEN Load Center – mm (ft/in)	500	(1'8")	500	(1'8")	500	(1'8")
Overall Length (A) (forks on ground) – mm (ft/in)	7648	(25'1")	7798	(25'7")	7948	(26'1")
Reach at Ground (from grill to heel of fork) – mm (ft/in)	939	(3'1")	939	(3'1")	938	(3'1")
Maximum Reach (from grill to heel of fork) – mm (ft/in)	1524	(5'0")	1524	(5'0")	1524	(5'0")
Fork Height at Maximum Reach – mm (ft/in)	1619	(5'4")	1619	(5'4")	1619	(5'4")
Reach at Maximum Height (from grill to heel of fork) – mm (ft/in)	749	(2'5")	749	(2'5")	749	(2'5")
Maximum Fork Height – mm (ft/in)	3418	(11'3")	3418	(11'3")	3418	(11'3")
Maximum Fork Depth (below ground level) – mm (ft/in)	-38	(-1'11")	-38	(-1'10")	-39	(-1'10")

Material Handling Arm Position	Retracted		Mid-Position		Extended	
Operating Load (SAE J1197 and CEN 474-4) – kg (lb)*	1524	(3,360)	1030	(2,271)	758	(1,671)
Overall Length, Maximum – mm (ft/in)	8904	(29'3")	9904	(32'6")	10 902	(35'9")
Reach at Maximum Depth (from machine nose) – mm (ft/in)	544	(1'9")	550	(1'10")	557	(1'10")
Maximum Depth – mm (ft/in)	2618	(8'7")	3618	(11'10")	4616	(15'2")
Maximum Reach (from machine nose) – mm (ft/in)	3221	(10'7")	4221	(13'10")	5219	(17'1")
Height at Maximum Reach – mm (ft/in)	1118	(3'8")	1124	(3'8")	1130	(3'8")
Reach at Maximum Height (from machine nose) – mm (ft/in)	1783	(5'10")	2473	(8'1")	3161	(10'4")
Maximum Height – mm (ft/in)	4445	(14'7")	5169	(16'11")	5891	(19'4")

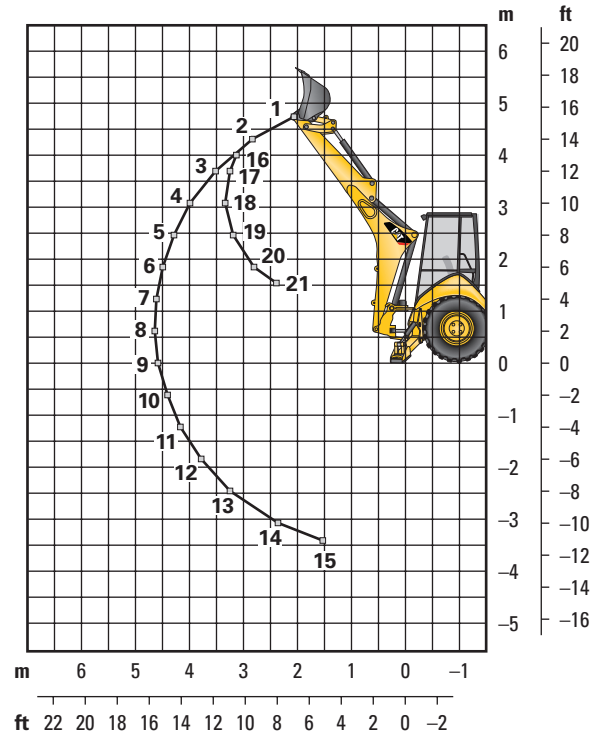
\*These numbers are hydraulically limited.

# 420 XE Backhoe Loader

## Backhoe Lift Capacity

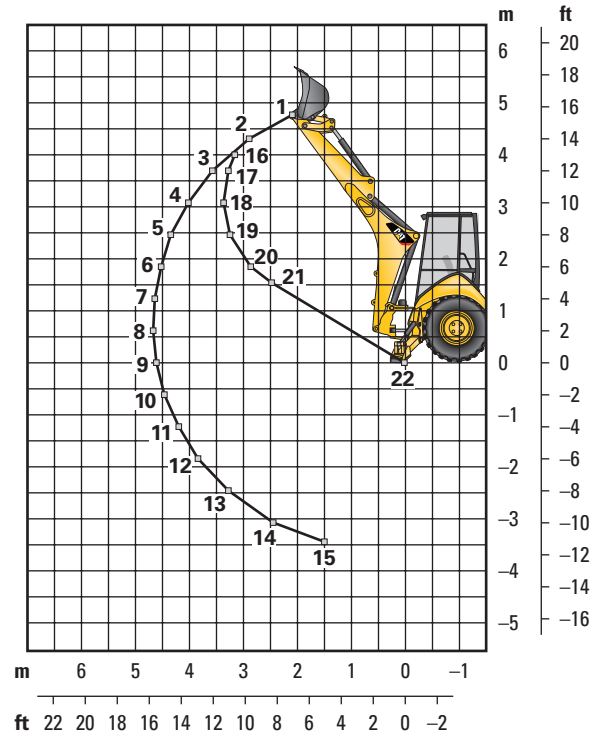
### Cat 420 XE Standard Stick

Boom Lifting	kg	lb
1	1842	4,060
2	2009	4,429
3	2008	4,427
4	1951	4,301
5	1880	4,145
6	1808	3,986
7	1739	3,833
8	1673	3,689
9	1613	3,556
10	1558	3,435
11	1509	3,327
12	1468	3,237
13	1441	3,176
14	1455	3,208
15	1590	3,506
Stick Lifting		
16	2170	4,785
17	2642	5,823
18	2933	6,465
19	3069	6,767
20	3626	7,994
21	4441	9,790



### Cat 420 XE Extendible Stick – Retracted

Boom Lifting	kg	lb
1	1658	3,656
2	1814	3,999
3	1806	3,982
4	1748	3,853
5	1677	3,696
6	1604	3,536
7	1534	3,382
8	1468	3,236
9	1407	3,101
10	1350	2,976
11	1299	2,864
12	1255	2,766
13	1221	2,692
14	1219	2,687
15	1333	2,938
Stick Lifting		
16	2019	4,451
17	2467	5,438
18	2729	6,016
19	2854	6,292
20	3359	7,405
21	4057	8,944
22	0	0

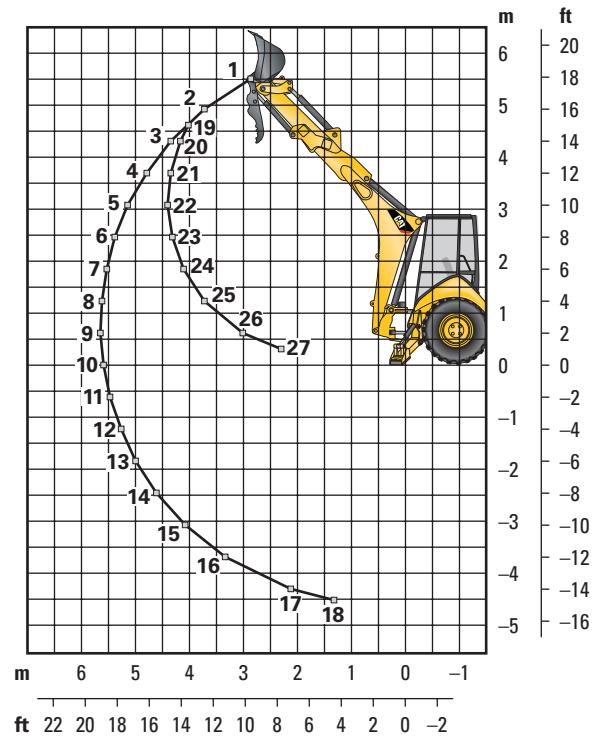


Lift capacities are over-end values calculated according to SAE J31. Values are 87% of the maximum lift force available. Machine equipped with AWD, OROPS, 0.96 m<sup>3</sup> (1.25 yd<sup>3</sup>) general purpose bucket and 240 kg (530 lb) counterweight. Extendible stick includes 460 kg (1,015 lb) counterweight.

## Backhoe Lift Capacity

### Cat 420 XE Extendible Stick – Extended

<b>Boom Lifting</b>			
		<b>kg</b>	<b>lb</b>
1		984	2,169
2		1191	2,625
3		1216	2,681
4		1119	2,467
5		1065	2,347
6		1039	2,290
7		1036	2,283
8		1052	2,320
9		1090	2,403
10		1105	2,436
11		1079	2,379
12		1056	2,328
13		1037	2,287
14		1026	2,261
15		1027	2,263
16		1058	2,332
17		1243	2,740
18		1694	3,734
<b>Stick Lifting</b>			
19		928	2,046
20		1159	2,555
21		1485	3,273
22		1715	3,782
23		1912	4,216
24		2052	4,525
25		2343	5,165
26		3105	6,845
27		4455	9,821



Lift capacities are over-end values calculated according to SAE J31. Values are 87% of the maximum lift force available. Machine equipped with AWD, DROPS, 0.96 m<sup>3</sup> (1.25 yd<sup>3</sup>) general purpose bucket and 240 kg (530 lb) counterweight. Extendible stick includes 460 kg (1,015 lb) counterweight.

# 420 XE Backhoe Loader

## Counterweights (Minimum Counterweight Recommendations)

Standard Stick Loader Bucket	Pin-On Bucket		Loader QC	
	kg	lb	kg	lb
GP	240	530	0	0
MP	0	0	0	0
Forks	N/A	N/A	0	0
Material Handling Arm	N/A	N/A	0	0

Extendible Stick Loader Bucket	Pin-On Bucket		Loader QC	
	kg	lb	kg	lb
GP	460	1,015	240	530
MP	240	530	0	0
Forks	N/A	N/A	240	530
Material Handling Arm	N/A	N/A	240	530

## Backhoe Buckets (With weld on adapters and pin-on teeth)

### Standard Duty

Width		Rated Capacity		Weight		No. of Teeth
mm	in	L	ft <sup>3</sup>	kg	lb	
305	12	80	2.8	111	245	3
457	18	120	4.2	122	268	4
610	24	180	6.4	141	311	5
762	30	230	8.1	157	345	5
914	36	290	10.2	176	388	6

### Heavy Duty

Width		Rated Capacity		Weight		No. of Teeth
mm	in	L	ft <sup>3</sup>	kg	lb	
305	12	80	2.8	121	266	3
406	16	110	3.9	128	282	3
457	18	120	4.2	135	299	4
610	24	180	6.4	160	353	5
762	30	230	8.1	177	391	5
914	36	290	10.2	201	443	6

### Soil Excavation

Width		Rated Capacity		Weight		No. of Teeth
mm	in	L	ft <sup>3</sup>	kg	lb	
457	18	180	6.4	155	341	4
610	24	240	8.5	182	402	5
762	30	320	11.3	206	454	5
914	36	380	13.4	233	513	6

### Rock

Width		Rated Capacity		Weight		No. of Teeth
mm	in	L	ft <sup>3</sup>	kg	lb	
305	12	70	2.5	127	279	3
457	18	130	4.6	146	322	4
610	24	200	7.1	174	384	5
762	30	270	9.5	197	434	5
914	36	330	11.7	224	493	6

### Coral

Width		Rated Capacity		Weight		No. of Teeth
mm	in	L	ft <sup>3</sup>	kg	lb	
305	12	60	2.1	134	295	4
457	18	100	3.5	155	341	6
610	24	140	4.9	182	402	8
762	30	190	6.7	210	463	10



The following information applies to the machine at the time of final manufacture as configured for sale in the regions covered in this document. The content of this declaration is valid as of the date issued; however, content related to machine features and specifications are subject to change without notice. For additional information, please see the machine's Operation and Maintenance Manual.

For more information on sustainability in action and our progress, please visit <https://www.caterpillar.com/en/company/sustainability>.

## Engine

- The Cat® C3.6 engine meets U.S. EPA Tier 4 Final and EU Stage V emission standards.
- Cat diesel engines are required to use ULSD (ultra-low sulfur diesel fuel with 15 ppm of sulfur or less) or ULSD blended with the following lower-carbon intensity fuels up to:
  - ✓ 20% biodiesel FAME (fatty acid methyl ester)
  - ✓ 100% renewable diesel, HVO (hydrotreated vegetable oil) and GTL (gas-to-liquid) fuels
 Refer to guidelines for successful application. Please consult your Cat dealer or “Caterpillar Machine Fluids Recommendations” (SEBU6250) for details.

## Air Conditioning System

- The air conditioning system on this machine contains the fluorinated greenhouse gas refrigerant R134a (Global Warming Potential = 1430). The system contains 1.6 kg (3.5 lb) of refrigerant which has a CO<sub>2</sub> equivalent of 2.3 metric tonnes (2.5 tons).

## Paint

- Based on best available knowledge, the maximum allowable concentration, measured in parts per million (PPM), of the following heavy metals in paint are:
  - Barium < 0.01%
  - Cadmium < 0.01%
  - Chromium < 0.01%
  - Lead < 0.01%

## Sound Performance

Operator Sound Pressure Level (ISO 6396:2008) – 76 dB(A)\*

Exterior Sound Power Level (ISO 6395:2008) – 101 dB(A)

\*Measurements were conducted with properly installed and maintained cab doors and windows closed.

## Oils and Fluids

- Caterpillar factory fills with ethylene glycol coolants. Cat Diesel Engine Antifreeze/Coolant (DEAC) and Cat Extended Life Coolant (ELC) can be recycled. Consult your Cat dealer for more information.
- Cat Bio HYDO™ Advanced is an EU Ecolabel approved biodegradable hydraulic oil.
- Additional fluids are likely to be present, please consult the Operations and Maintenance Manual or the Application and Installation guide for complete fluid recommendations and maintenance intervals.

## Features and Technology

- The following features and technology may contribute to fuel savings and/or carbon reduction. Features may vary. Consult your Cat dealer for details.
  - Save fuel and reduce your greenhouse gas emissions with efficiency features such as operator control modes selectable through the display and with fuel management modes.
  - Extended maintenance intervals not only reduce downtime but decrease the amount of fluid and filters that are replaced over the life of the machine.
  - Auto Idle helps reduce unnecessary fuel burn and greenhouse gas emissions by allowing the engine to automatically go into idle mode when the machine is not working.

## Recycling

- The materials included in machines are categorized as below with approximate weight percentage. Because of variations of product configurations, the following values in the table may vary.

Material Type	Weight Percentage
Steel	60.51%
Iron	16.77%
Nonferrous Metal	3.29%
Mixed Metal	0.63%
Mixed-Metal and Nonmetal	1.03%
Plastic	2.13%
Rubber	3.01%
Mixed Nonmetallic	0.03%
Fluid	4.17%
Other	6.33%
Uncategorized	2.10%
Total	100.00%

- A machine with higher recyclability rate will ensure more efficient usage of valuable natural resources and enhance End-of-Life value of the product. According to ISO 16714:2008 (Earthmoving machinery – Recyclability and recoverability – Terminology and calculation method), recyclability rate is defined as percentage by mass (mass fraction in percent) of the new machine potentially able to be recycled, reused, or both.

All parts in the bill of material are first evaluated by component type based on a list of components defined by the ISO 16714:2008 and Japan CEMA (Construction Equipment Manufacturers Association) standards. Remaining parts are further evaluated for recyclability based on material type.

Because of variations of product configurations, the following value in the table may vary.

Recyclability – 92%

# 420 XE Backhoe Loader

## STANDARD EQUIPMENT

- Adjustable auxiliary controls, backhoe loader
- Air cleaner
- Alarm, back-up
- Audible system fault alarm
- Automatic Engine Speed Control (AESC)
- Battery, maintenance-free, 850 CCA
- Battery disconnect switch
- Boom transport lock
- Brace, lift cylinder
- Brake, parking, Spring Applied Hydraulically Released (SAHR)
- Brakes, hydraulically boosted, oil disc, dual pedals, interlocking
- Bucket level indicator
- Canopy, ROPS/FOPS
- Cat cushion swing system
- Coat restraint
- Coolant/antifreeze, extended life
- Dome light (cab only)
- Diagnostic port for engine, machine and gauge cluster Electronic Control Modules
- Differential lock, loader joystick
- Drink holders, two
- Engine, Cat C3.6 (Direct Injection Turbocharged), meets Tier 4 Final/Stage V emission standards, Selective Catalytic Reduction, Diesel Oxidation Catalyst (DOC)
- Engine enclosure, sound suppression, removable side panels
- Face seals, O-ring
- Fan, suction and guard
- Fast reversing shuttle, all gears
- Fenders, rear
- Filters, spin-on: fuel, engine oil, transmission oil, water separator
- Filters, bowl and cartridge: hydraulic fluid
- Flashing hazards/signal lights
- Floor mat
- Four wheel drive
- Four wheel drive shaft guard
- Fuel tank, fully enclosed
- Fully hinged front grill for cooling package cleaning access
- Gauge cluster: coolant temperature, fuel level, torque converter temperature, DEF level
- Ground level fuel fill and DEF fill
- Halogen lights, working (2 front, 2 rear)
- High ambient cooling package
- Hood lock, inside cab
- Hydraulic Lock Out, loader, backhoe, auxiliary hydraulics
- Hydraulic hose, XT™
- Hydraulic oil cooler
- Hydraulic oil level sight gauge
- Hydraulic valves, loader 2 function
- Hydraulic valves, backhoe 4 function
- Hydraulics, load sensing with variable displacement piston pump
- Indicator lights: wait to start, water in fuel, engine warning, warning lamp, emissions module malfunction, low battery/charging system warning, high hydraulic oil temperature: LCD warnings: engine oil pressure, machine locked, service due, air filter blocked, high coolant temperature, auto idle shutdown, high torque converter temperature, hydraulic filter bypass
- Instrument panel lights
- Key start/stop system
- LCD operator display with soft key controls: engine speed, hour meter, gear/direction, battery voltage, hydraulic oil temperature, torque converter temperature, coolant temperature, trip totals (fuel and hours), lifetime totals (fuel and hours), operator settings (units, brightness, programmable hoe auxiliary flow), service mode diagnostics, maintenance intervals, Electronic Control Module (ECM)/system info
- Loader, Electro Hydraulic (EH) Parallel Lift
- Loader, Programmable Kick Out
- Loader, Programmable Return To Dig
- Loader, single tilt
- Mirror, interior, rearview
- One-touch low idle
- Open circuit breather
- Pattern changer, in cab
- Power receptacle, 12 volt, 2 internal, 1 external
- Power receptacle, 5 volt USB, 1 internal
- Power steering, hydrostatic
- Product Link™, satellite, network manager
- Product Link, cellular, network manager
- Seat belt, retractable, 51 mm (2 in)
- Seat mounted joystick controls: backhoe and loader, EH operated, excavator style with pattern changer
- Socket, two roof
- Stabilizers, EH Control, Auto-UP
- Stabilizer shoes, street
- Steering knob
- Seat, air suspension, vinyl cover, with armrest
- Starting system, glow plugs
- Steering column, tilting, telescopic
- Storage compartment, lockable
- Storage tray
- Stop and tail lights
- Swing transport lock
- Tires
- Toolbox, external, lockable
- Torque converter
- Throttle, hand and foot, electronic
- Transmission, 4 speed, powershift
- Transmission neutralizer switch
- Transport tie-downs
- Vandalism locks, four
- Warning horn, electric

## OPTIONAL EQUIPMENT

---

- Auxiliary hydraulics, loader, adjustable flow
- Auxiliary hydraulics, rear, adjustable flow
- Battery, additional, 850 CCA
- Cab, deluxe
- Cold weather fuel (-30° C/-22° F)
- Cold weather package, including additional battery, engine block heater, radiator antifreeze, cold weather fuel (-30° C/-22° F) and mounting for an ether bottle
- Counterweights, 115 kg (255 lb), 240 kg (530 lb) or 460 kg (1,015 lb)
- Fenders, front with integral steps
- Guard, boom protection plate
- Guard, stabilizer, rock
- Hydraulic valves, loader with auxiliary roller thumb control (3rd valve for MP or Quick Coupler)
- Hydraulic valves, backhoe (5th and 6th function)
- Hydraulic lines, combined function auxiliary
- LED lights, working (2 front, 2 rear)
- Quick Coupler, hydraulic, dual lock
- Quick Coupler, manual, dual lock
- Quick Coupler, manual, pin lock
- Radio and CD player, Bluetooth®
- Ride Control
- Rotating beacon, magnetic mount
- Seat, air suspension, fabric with armrest
- Seat, air suspension, fabric with armrest, heated
- Seat belt, retractable, 75 mm (3 in)
- Security system, Bluetooth
- Security system, operator display
- Side mirrors, cab, external
- Single Tilt Loader Coupler, Integrated Tool Carrier (IT) Interface
- Stabilizer pads, reversible
- Stick, extendible
- Touch screen LCD Display: engine speed, hour meter, gear/direction, battery voltage, hydraulic oil temperature, torque converter temperature, coolant temperature, trip totals (fuel and hours), lifetime totals (fuel and hours), operator settings (units, brightness, programmable hoe auxiliary flow), service mode diagnostics, maintenance intervals, ECM/system info
- Transmission, AutoShift with lock-up torque converter, 6 speed
- Vandalism protection, gauge cover
- Work Tool Attachments such as buckets, forks, material handling arms, augers, hammers, brooms, cold planers and vibratory plate compactors. See your Cat dealer for more information.

# 420 XE Backhoe Loader

---

For more complete information on Cat products, dealer services, and industry solutions, visit us on the web at [www.cat.com](http://www.cat.com)

© 2024 Caterpillar  
All rights reserved

Materials and specifications are subject to change without notice. Featured machines in photos may include additional equipment. See your Cat dealer for available options.

CAT, CATERPILLAR, LET'S DO THE WORK, their respective logos, "Caterpillar Corporate Yellow," the "Power Edge" and Cat "Modern Hex" trade dress as well as corporate and product identity used herein, are trademarks of Caterpillar and may not be used without permission.

AEHQ8244-03 (03-2024)  
Replaces AEHQ8244-02  
Build Number: 07A  
(North America)

