

# EMCP 4.3/4.4 Remote HMI Display



Picture shown may not reflect actual configuration.

## EMCP 4.3/4.4 Remote Human Machine Interface (HMI) Display

The EMCP remote HMI display with interactive 8" color screen features easy to understand icons and labels. The system level graphics provides parameters for engine, generator and utility that are supported in multiple languages – English, Spanish, French, Chinese or German.

Fully integrated with diesel generator sets C27 – C175 50/60 Hz (400V – 15 kV).

### Features

- Display graphics are configurable with embedded runtime tool that provides the capability to customize screens. This capability supports modern and classic icon graphics. Where classic style has traditional representation for gauges.
- Lockout security provision to assure platform integrity.
- Active screen may be changed using simple swipe gesture.
- Display functionality includes remote start-stop when generator set control is set to automatic.
- Designed for field installation using mounting template and terminals that facilitate inter-connection at site.
- Field configurable alarm terminals.

Specification	
Touch Screen	Multi-touch w/ gloves
BroadR-Reach® Ethernet (4)	100 Base-T, 2 wire
Ethernet (2)	10 Base-T, 4 wire 300 ft without Repeater
J1939 (2)	CAN Bus
USB (1)	USB 2.0, 500 mA
Response time	25 ms
Active Low Digital Inputs (4)	Switch to ground signal
Active High Digital Inputs (2)	Switch to battery signal
Power Mode	Normal / Sleep
Real-time clock	Low power mode, Accurate Time
Speaker	Amplified Audio
Alarm Audio Output Terminals	Unamplified Audio

High-Resolution LCD	
Colors	16.7 million
Backlight	LED
Resolution 8"	800 x 480

Display Readability	
Outdoor Sunlight Viewable	
Polarized Sunglass Compatible	
Dimmable	
Wide Viewing Angles Horizontal / Vertical	85° / 85°

Input Voltage 12/24 Volt Systems	
Unit will tolerate 60V maximum transient for 5 minutes	
Meets SAE J1113/11 cold cranking waveform specifications	

Current Consumption	
Sleep Mode (12/24V)	1.0/0.5 mA @ 25°C
Standby Mode (12/24V)	40/30 mA
Nominal Operation (12/24V)	1.2/0.7A

Environment	
Operating Temp	-40°C to +85°C
Storage Temp	-50°C to +85°C
Ingress Protection	IP66
Vibration	2.2 G-rms max. (EC-1)

Interfaces and Connectors	
Primary Connector	44 Position
USB 2.0 (1)	Type-A receptacle
Ethernet Port	Interface

Regulatory Compliance	
REACH, CE (EMC, RoHS), ACMA, EEU, FCC, IC ICES, UL, IECEx, ATEX, NFPA 70	

## Data

### Histogram and data Logging

- Alarm & Shutdown Reset
- Condition Status warning (amber) / shutdown (red)
  - Generator set data Conditions Displayed
    - Emergency stop shutdown
    - Overcrank shutdown
    - Low coolant temperature warning
    - High coolant temperature warning / shutdown
    - Low oil pressure warning / shutdown
    - Overspeed warning / shutdown
    - Low coolant level warning / shutdown
    - Low fuel level warning / shutdown
    - EPS supplying load status
    - Control switch not in auto warning
    - High battery voltage warning / shutdown
    - Low battery voltage warning / shutdown
    - BATT charger AC failure warning / shutdown
    - Low cranking voltage
    - Engine running
    - Tier 4 SCR

### Engine Data Displayed

- Engine Hours, Total Cranks, Starts
- Temperatures (coolant, air, exhaust)
- Filters Diff. Pressures (oil, air, fuel)
- Pressure (Boost, Intake Manifold)
- Throttle Position, Battery Voltage

### Generator Data Displayed

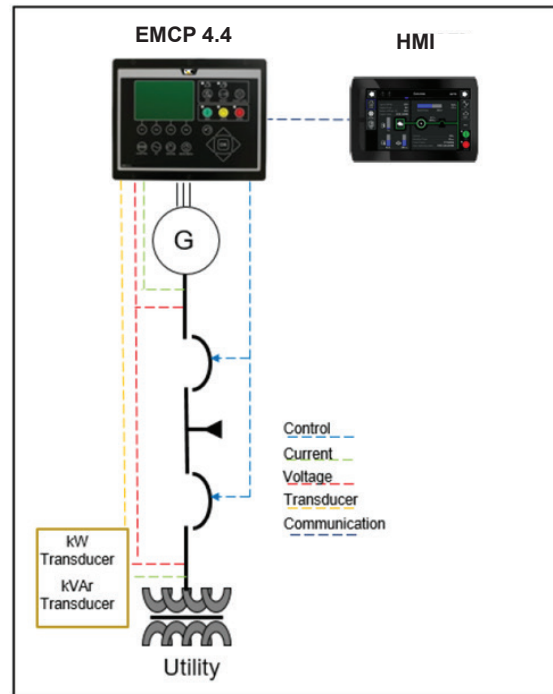
- Voltage L-L/L-N, Amps, Power Factor
- kW, kVA, kVAR, Hz
- Phase Values (Voltage, kW, Amps, Power Factor)
- Phase Winding Temperature
- Bearing Temperature
- Generator Breaker Status

### Voltage Regulator Data Displayed

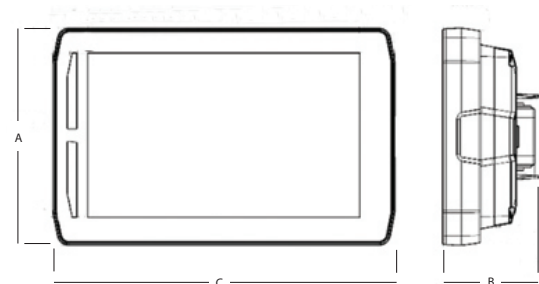
- Voltage, Amps

### Utility Data Display (when applicable)

- Utility Status
- Voltage L-L/L-N
- Phase Values (Voltage)
- kW, kVAR, Hz
- Utility Breaker Status



Example: EMCP 4.4 with Remote HMI Display.



Display			
A	B	C	Weight
mm (in)	mm (in)	mm (in)	kg (lbs)
139 (5.7)	59.4 (2.34)	220 (8.66)	1.32 (2.91)

Information contained in this publication may be considered confidential. Discretion is recommended when distributing. Materials and specifications are subject to change without notice.

CAT, CATERPILLAR, LET'S DO THE WORK, their respective logos, "Caterpillar Yellow," the "Power Edge" and Cat "Modern Hex" trade dress as well as corporate and product identity used herein, are trademarks of Caterpillar and may not be used without permission.