



Cat[®] Snow Wings

SKID STEER LOADERS
MULTI TERRAIN LOADERS
COMPACT TRACK LOADERS
COMPACT WHEEL LOADERS

Cat[®] snow wings are designed with versatility in mind. With independently controlled wings and angling capability, the attachment can be changed to suit the needs of any job.

Features:

Rotary actuators

- Rotary actuators allow wings to be rotated up to 180° to suit operator needs.

Independent control

- Each wing can be rotated independently for maximum versatility.

Wing stops

- Wing stops prevent the wings from being able to contact the tires or tracks of the machine to prevent damage when angling.

Reversible bolt-on spring trip cutting edge

- Steel cutting edge is reversible for longer life and bolt-on for easy maintenance.
- Spring trip allows wing to spring back upon contact with obstacles to minimize damage to the snow wing or machine.

Lateral float

- Lateral float allows wing to float 5° either direction to better follow the contour of the ground.

Hydraulically angled

- Hydraulically angled snow wing can be angled up to 35° either direction using in-cab joysticks.

Adjustable skid shoes

- Adjustable skid shoes offer ability to change cutting edge height to suit operator preference and job site needs.

Floating end plate edges

- Floating end plate edges follow the contour of the ground contour for better control of snow.

Profiled moldboard

- Profiled moldboard design rolls and folds snow, maximizing capacity of the snow wing and improving productivity by minimizing snow clinging to its surface.

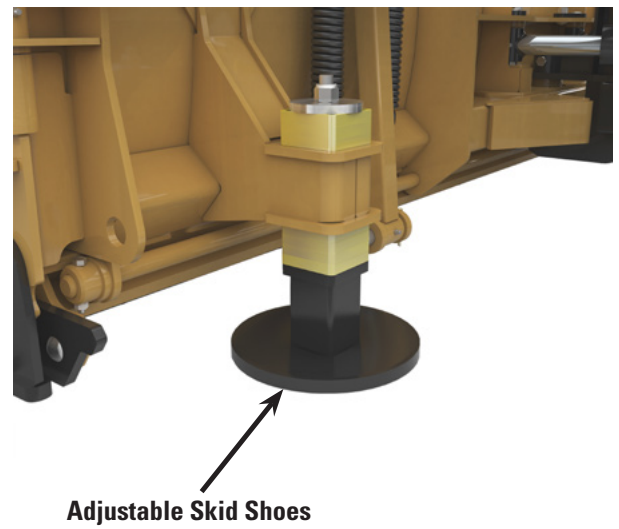
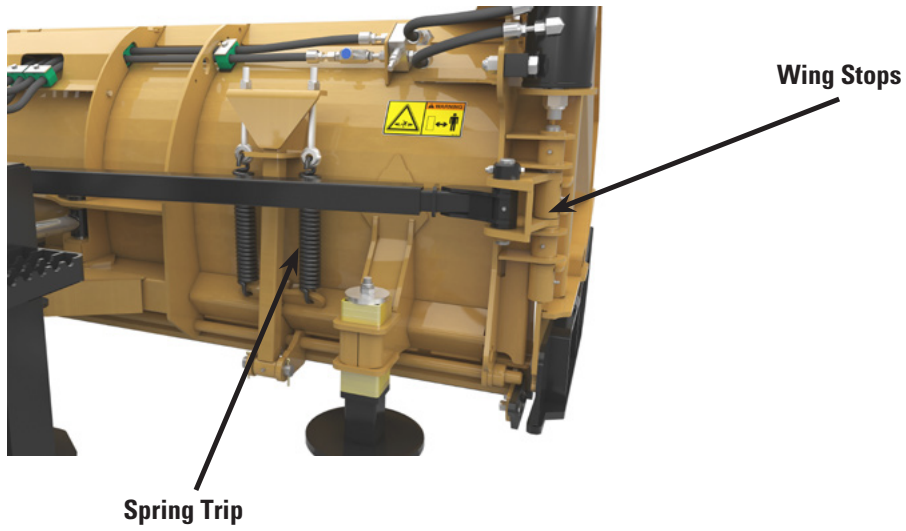
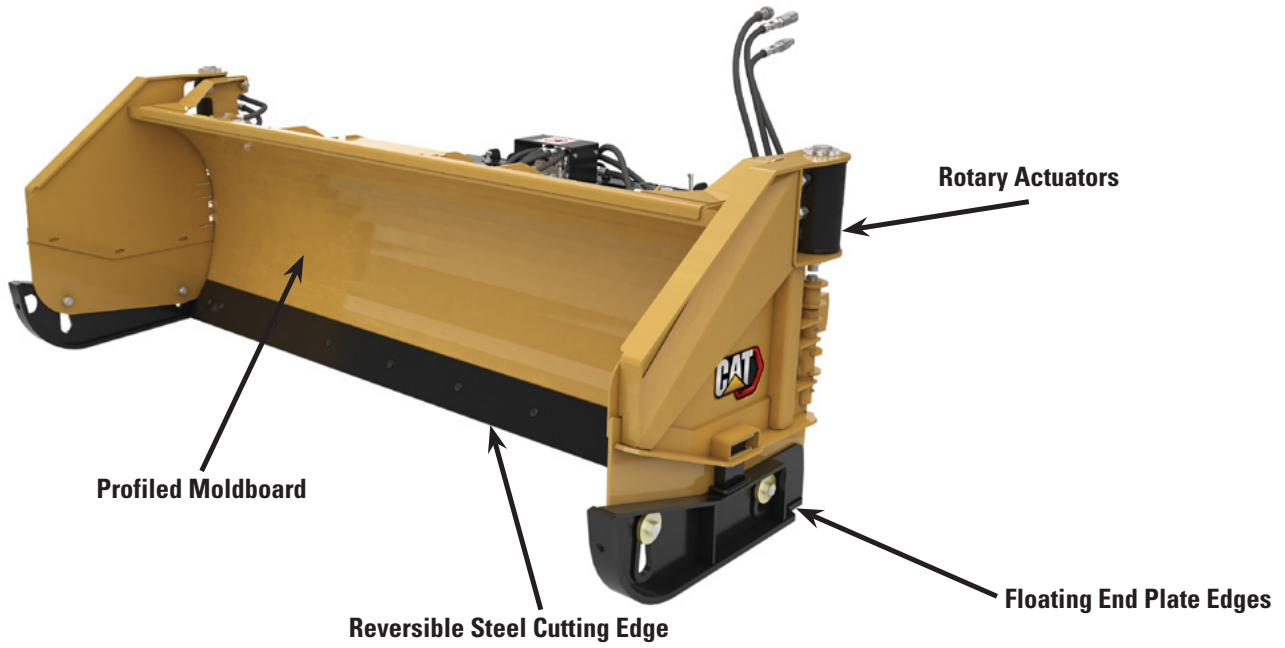
Bolt-on step

- Bolt-on step provides safe and ergonomic access to the cab that is easily replaceable if damaged.

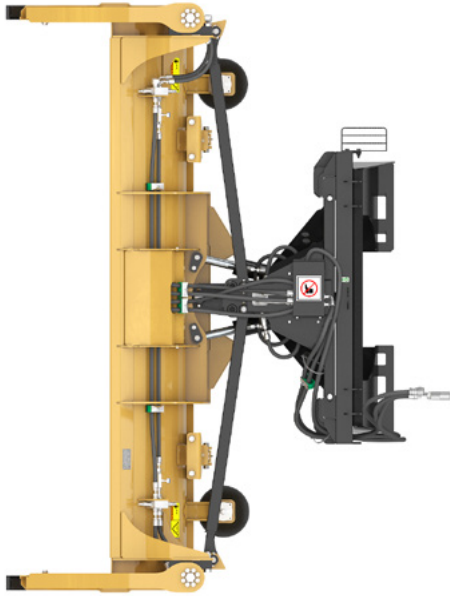
Compatibility

Model	Machines
2.4 m (8 ft)	226D/D3, 232D/D3, 236D/D3, 239D/D3, 242D/D3, 246D/D3, 249D/D3, 257D/D3, 259D/D3, 262D/D3, 272D2/D3, 279D/D3, 289D/D3, 299D2/D3, 903C2/D, 906K/M, 907K/M, 908K/M
2.7 m (9 ft)	226D/D3, 232D/D3, 236D/D3, 239D/D3, 242D/D3, 246D/D3, 249D/D3, 257D/D3, 259D/D3, 262D/D3, 272D2/D3, 279D/D3, 289D/D3, 299D2/D3, 903C2/D, 906K/M, 907K/M, 908K/M

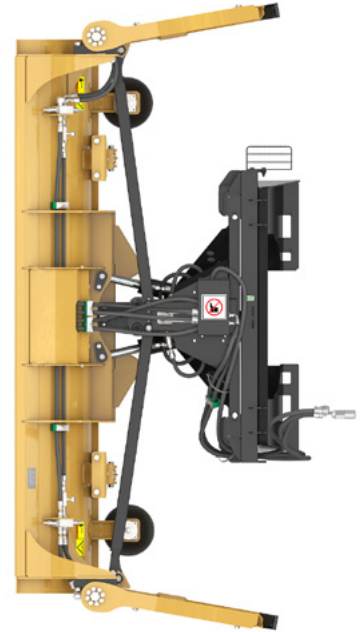
Cat® Snow Wings



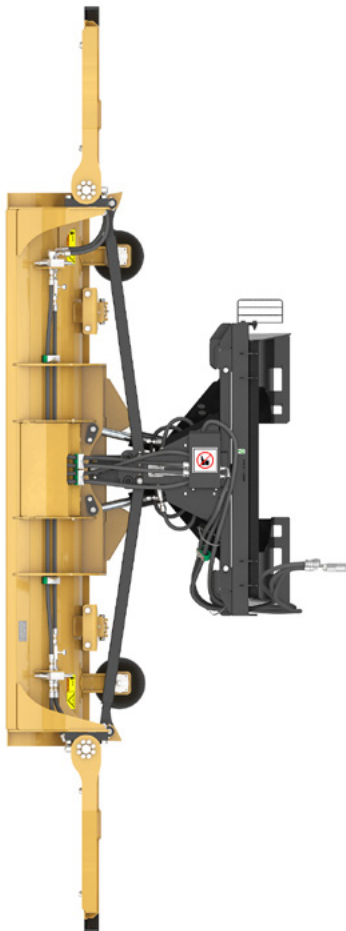
Box Blade



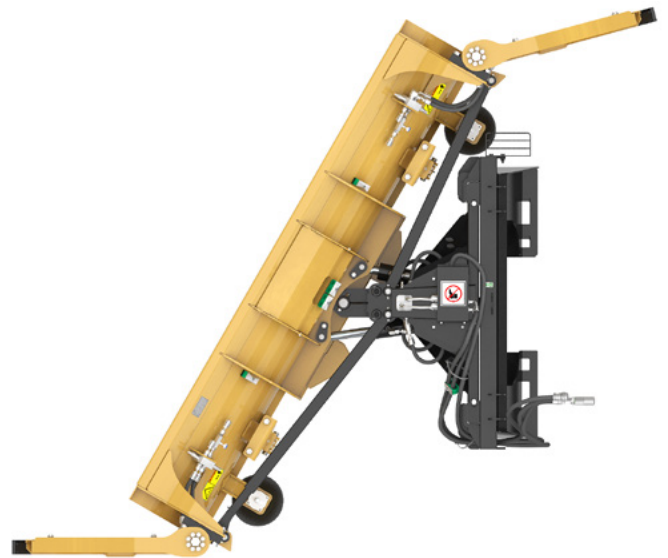
Reverse Box



Straight Blade

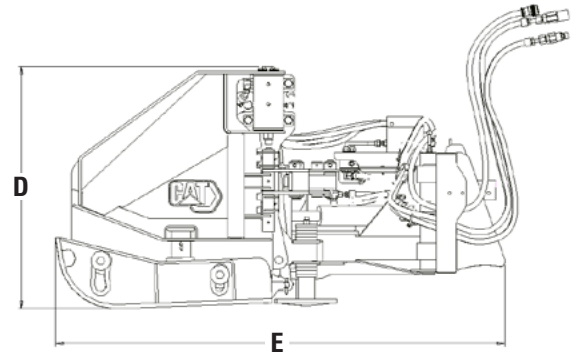
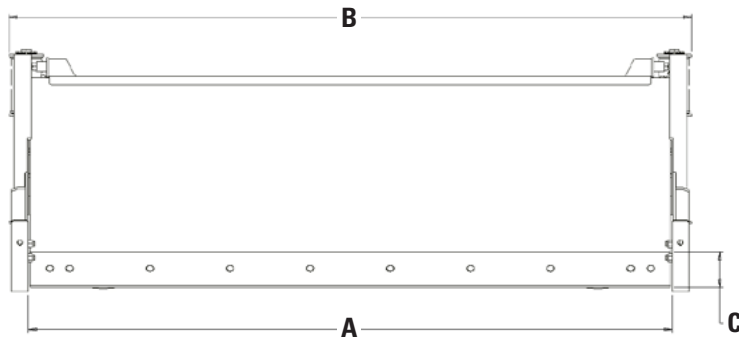


Angle Blade



Cat® Snow Wings

Specifications



			2.4 m (8 ft)		2.7 m (9 ft)	
A	Working width (wings closed)	mm (in)	2445	(96.3)	2750	(108)
B	Overall width (wings closed)	mm (in)	2596	(102.2)	2901	(114)
C	Trip edge height	mm (in)	130	(5.1)	130	(5.1)
D	Overall height	mm (in)	915	(36)	915	(36)
E	Overall length	mm (in)	1705	(67.1)	1705	(67.1)
	Weight	kg (lb)	794	(1,751)	826	(1,820)
	Overall width (wings open)	mm (in)	4083	(160.7)	4425	(174.2)
	Angled width (wings closed)	mm (in)	2307	(90.8)	2558	(100.7)
	Angled width (wings open)	mm (in)	3447	(135.7)	3691	(145.3)
	Maximum wing rotation		180°		180°	
	Angle left/right of center		35°		35°	
	Lateral float		5°		5°	
	Required hydraulic flow	L/min (gpm)	80	(22)	80	(22)
	Hydraulic pressure	bar (psi)	230	(3,300)	230	(3,300)

For more complete information on Cat products, dealer services, and industry solutions, visit us on the web at www.cat.com

AEHQ8233 (11-2019)

© 2019 Caterpillar
All rights reserved

Materials and specifications are subject to change without notice. Featured machines in photos may include additional equipment. See your Cat dealer for available options.

CAT, CATERPILLAR, LET'S DO THE WORK, their respective logos, "Caterpillar Yellow," the "Power Edge" and Cat "Modern Hex" trade dress as well as corporate and product identity used herein, are trademarks of Caterpillar and may not be used without permission.

