



# 326

## Hydraulic Excavator

# Technical Specifications

Configurations and features may vary by region. Please consult your Cat® dealer for availability in your area.

### Table of Contents

<b>Specifications</b> .....	<b>2</b>
Engine .....	2
Swing Mechanism .....	2
Weights .....	2
Track .....	2
Drive .....	2
Hydraulic System .....	2
Service Refill Capacities .....	2
Standards .....	3
Sound Performance .....	3
Operating Weights and Ground Pressures .....	3
Major Component Weights .....	4
Dimensions .....	5
Working Ranges and Forces .....	7
Bucket Specifications and Compatibility .....	8
Attachments Offering Guide .....	9
<b>Standard and Optional Equipment</b> .....	<b>11</b>
<b>Cab Options</b> .....	<b>13</b>
<b>Dealer Installed Kits and Attachments</b> .....	<b>14</b>
<b>326 Environmental Declaration</b> .....	<b>15</b>



オフロード法2014年  
基準適合

# 326 Hydraulic Excavator Specifications

## Engine

Engine Model	Cat® C7.1	
Net Power		
ISO 9249	149.8 kW	201 hp
ISO 9249 (DIN)	204 hp (metric)	
Engine Power		
ISO 14396	151 kW	202 hp
ISO 14396 (DIN)	205 hp (metric)	
Bore	105 mm	4 in
Stroke	135 mm	5 in
Displacement	7.01 L	428 in <sup>3</sup>
Biodiesel Capability	Up to B20 <sup>(1)</sup>	

- Meets U.S. EPA Tier 4 Final, EU Stage V, and Japan 2014 emission standards.
- Recommended for use up to 4500 m (14,760 ft) altitude with engine power derate above 3000 m (9,840 ft).
- Advertised power is tested per the specified standard in effect at the time of manufacture.
- Net power advertised is the power available at the flywheel when the engine is equipped with fan, air intake system, exhaust system, and alternator.
- Engine speed at 2,200 rpm.

<sup>(1)</sup>Cat diesel engines are required to use ULSD (ultra-low sulfur diesel fuel with 15 ppm of sulfur or less) or ULSD blended with the following lower-carbon intensity fuels\*\* up to:

- ✓ 20% biodiesel FAME (fatty acid methyl ester)\*
- ✓ 100% renewable diesel, HVO (hydrogenated vegetable oil) and GTL (gas-to-liquid) fuels

Refer to guidelines for successful application. Please consult your Cat dealer or “Caterpillar Machine Fluids Recommendations” (SEBU6250) for details.

*\*Engines with no aftertreatment devices can use higher blends, up to 100% biodiesel (for use of blends higher than 20% biodiesel, consult your Cat dealer).*

*\*\*Tailpipe greenhouse gas emissions from lower-carbon intensity fuels are essentially the same as traditional fuels.*

## Swing Mechanism

Swing Speed	9.9 rpm	
Maximum Swing Torque	106 kN·m	78,180 lbf·ft

## Weights

Operating Weight	25 500 kg	56,200 lb
------------------	-----------	-----------

- Long undercarriage, Reach boom, R2.95 m (9'7") stick, 1.10 m<sup>3</sup> (1.44 yd<sup>3</sup>) General Duty Excavation (GDX) bucket, 600 mm (24") triple grouser shoes and 4600 kg (10,140 lb) counterweight.

## Track

Standard Track Shoes Width	600 mm	24 in
Optional Track Shoes Width	700 mm	28 in
Optional Track Shoes Width	790 mm	31 in
Number of Shoes (each side)	51	
Number of Track Rollers (each side)	8	
Number of Carrier Rollers (each side)	2	

## Drive

Gradeability	35°/70%	
Maximum Travel Speed	5.6 km/h	3.5 mph
Maximum Drawbar Pull	228 kN	51,256 lbf

## Hydraulic System

Main System – Maximum Flow – Implement	481 L/min (241 × 2 pumps)	127 gal/min (64 × 2 pumps)
Maximum Pressure – Equipment – Normal	35 000 kPa	5,075 psi
Maximum Pressure – Travel	35 000 kPa	5,075 psi
Maximum Pressure – Swing	28 400 kPa	4,118 psi
Auxiliary Pump (optional) – Maximum Flow	56 L/min	15 gal/min
Auxiliary Pump (optional) – Maximum Pressure	14 000 kPa	2,031 psi
Boom Cylinder – Bore	135 mm	5 in
Boom Cylinder – Stroke	1305 mm	51 in
Stick Cylinder – Bore	140 mm	6 in
Stick Cylinder – Stroke	1660 mm	65 in
Bucket Cylinder – Bore	130 mm	5 in
Bucket Cylinder – Stroke	1156 mm	46 in

## Service Refill Capacities

Fuel Tank Capacity	474 L	125.2 gal
Cooling System	25 L	6.6 gal
Engine Oil (with filter)	25 L	6.6 gal
Swing Drive	11.5 L	3.0 gal
Final Drive (each)	4.5 L	1.2 gal
Hydraulic System (including tank)	310 L	81.9 gal
Hydraulic Tank	147 L	38.8 gal
Diesel Exhaust Fluid (DEF) Tank	41 L	10.8 gal

# 326 Hydraulic Excavator Specifications

## Standards

Brakes	ISO 10265:2008
Cab/Operator Protective Guards (OPG) (optional)	ISO 10262:1998 Level II
Cab/Rollover Protective Structure (ROPS)	ISO 12117-2:2008

## Sound Performance

ISO 6395:2008 (external)	103 dB(A)
ISO 6396:2008 (inside cab)	70 dB(A)

- Hearing protection may be needed when operating with an open operator station and cab (when not properly maintained or doors/windows open) for extended periods or in a noisy environment.

## Operating Weights and Ground Pressures

	600 mm (24") Triple Grouser Shoes		600 mm (24") Double Grouser Shoes		700 mm (28") Triple Grouser Shoes		790 mm (31") Triple Grouser Shoes	
	Weight	Ground Pressure	Weight	Ground Pressure	Weight	Ground Pressure	Weight	Ground Pressure
	kg (lb)	kPa (psi)	kg (lb)	kPa (psi)	kg (lb)	kPa (psi)	kg (lb)	kPa (psi)
<b>Base Machine with 4600 kg (10,140 lb) Counterweight and Long Undercarriage</b>								
Reach Boom + R2.95CB1 (9'8") Stick + 1.10 m <sup>3</sup> (1.44 yd <sup>3</sup> ) GDX Bucket	25 500 (56,200)	51 (7.3)	25 500 (56,100)	51 (7.3)	25 900 (57,000)	44 (6.4)	26 200 (57,800)	40 (5.7)
<b>Base Machine with 7400 kg (16,310 lb) Counterweight and Long Undercarriage</b>								
Super Long Reach Boom + SLR7.85A (25'9") Stick + 0.57 m <sup>3</sup> (0.75 yd <sup>3</sup> ) DC Bucket	29 000 (63,900)	58 (8.4)	28 900 (63,700)	57 (8.3)	29 400 (64,600)	50 (7.3)	29 700 (65,400)	45 (6.5)

All operating weights include a 90% fuel tank with 75 kg (165 lb) operator.

# 326 Hydraulic Excavator Specifications

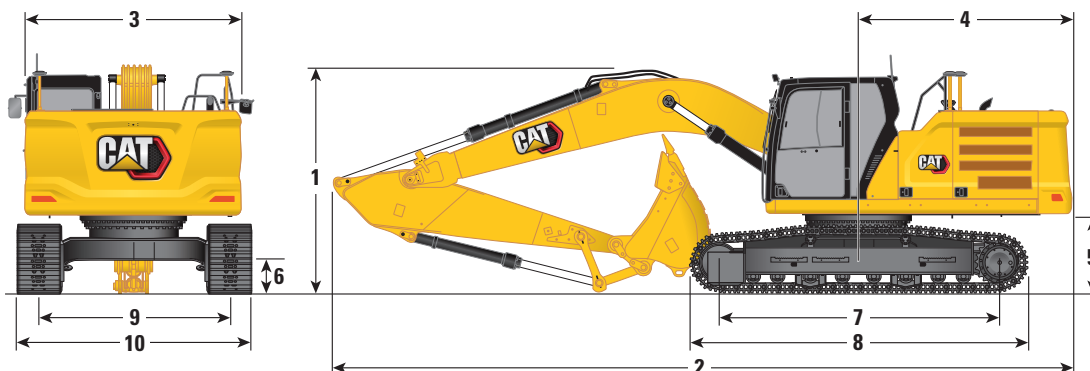
## Major Component Weights

	kg	lb
Base Machine Weight: including upper frame, long undercarriage with two boom cylinders – does not include boom, stick, bucket, stick cylinder, bucket cylinders, tracks, 90% fuel tank and 75 kg (165 lb) operator.		
With 4600 kg (10,140 lb) Counterweight	17 250	38,010
With 7400 kg (16,310 lb) Counterweight	19 980	44,040
Track Shoes:		
600 mm (24") Width, 12.5 mm (0.49") Thick, Triple Grouser Track Shoes	3330	7,320
600 mm (24") Width, 13 mm (0.51") Thick, Double Grouser Track Shoes	3250	7,150
700 mm (28") Width, 12.5 mm (0.49") Thick, Triple Grouser Track Shoes	3670	8,080
790 mm (31") Width, 12.5 mm (0.49") Thick, Triple Grouser Track Shoes with Step Extension	4000	8,810
Two Boom Cylinders	460	1,010
Weight of 90% Fuel Tank and 75 kg (165 lb) Operator	470	1,020
Counterweights:		
4600 kg (10,140 lb) Counterweight	4600	10,140
7400 kg (16,310 lb) Counterweight	7400	16,310
Undercarriage:		
Long Undercarriage	5020	11,070
Booms (including lines, pins, stick cylinder):		
Reach Boom 5.9 m (19'4")	2050	4,520
HD Reach Boom 5.9 m (19'4")	2190	4,810
Super Long Reach Boom 10.2 m (33'6")	3190	7,020
Sticks (including lines, pins, bucket cylinder, bucket linkage):		
Reach Stick R2.5CB1 (8'2")	1260	2,770
Reach Stick R2.95CB1 (9'8")	1390	3,050
HD Reach Stick R2.95CB1 (9'8")	1390	3,060
Super Long Reach Stick 7.85 m (25'9")	1640	3,610
Buckets (without linkage, with tips and side cutters):		
1.50 m <sup>3</sup> (1.96 yd <sup>3</sup> ) General Duty (GD) CB Linkage	1200	2,650
1.10 m <sup>3</sup> (1.44 yd <sup>3</sup> ) GDX CB Linkage	1030	2,270
0.57 m <sup>3</sup> (0.75 yd <sup>3</sup> ) Ditch Cleaning (DC) A Linkage	390	850
0.53 m <sup>3</sup> (0.69 yd <sup>3</sup> ) GD A Linkage	460	1,010
Quick Couplers:		
Pin Grabber Quick Coupler with Pins	530	2,650
Pin Grabber Quick Coupler without Pins	500	2,430

# 326 Hydraulic Excavator Specifications

## Dimensions

All dimensions are approximate and may vary depending on bucket selection.



Boom Options	Reach Boom 5.9 m (19'4")		HD Reach Boom 5.9 m (19'4")	
	Reach Stick		HD Reach Stick	
Stick Options	R2.5CB (8'2")	R2.95CB (9'8")	R2.95CB (9'8")	R2.95CB (9'8")
<b>1 Machine Height:</b>				
Top of Cab Height	3000 mm	9'10"	3000 mm	9'10"
Top of GNSS Antenna Height (if installed)	3030 mm	9'11"	3030 mm	9'11"
Top of OPG Height	3140 mm	10'4"	3140 mm	10'4"
Handrail Height	3000 mm	9'10"	3000 mm	9'10"
With Boom/Stick/Bucket Installed	3430 mm	11'3"	3250 mm	10'8"
With Boom/Stick Installed	3200 mm	10'6"	3120 mm	10'3"
With Boom Installed	3000 mm	9'10"	3000 mm	9'10"
<b>2 Machine Length:</b>				
With Boom/Stick/Bucket Installed	10 090 mm	33'1"	10 060 mm	33'0"
With Boom/Stick Installed	10 090 mm	33'1"	10 040 mm	32'11"
With Boom Installed	8720 mm	28'7"	8720 mm	28'7"
<b>3 Upperframe Width</b>	2940 mm	9'8"	2940 mm	9'8"
<b>4 Tail Swing Radius</b>	3000 mm	9'10"	3000 mm	9'10"
<b>5 Counterweight Clearance</b>	1060 mm	3'6"	1060 mm	3'6"
<b>6 Ground Clearance</b>	440 mm	1'5"	440 mm	1'5"
<b>7 Track Length – Length to Center of Rollers</b>	3830 mm	12'7"	3830 mm	12'7"
<b>8 Track Length – Crawler Overall Length</b>	4640 mm	15'3"	4640 mm	15'3"
<b>9 Track Gauge</b>	2590 mm	8'6"	2590 mm	8'6"
<b>10 Undercarriage Width:</b>				
With 600 mm (24") Shoes	3190 mm	10'6"	3190 mm	10'6"
With 700 mm (28") Shoes	3290 mm	10'10"	3290 mm	10'10"
With 790 mm (31") Shoes with Steps	3380 mm	11'1"	3380 mm	11'1"
Bucket Type	GDG		GDG	
Bucket Capacity	1.1 m <sup>3</sup>	1.44 yd <sup>3</sup>	1.1 m <sup>3</sup>	1.44 yd <sup>3</sup>
Bucket Tip Radius	1580 mm	5'2"	1580 mm	5'2"

(continued on next page)

# 326 Hydraulic Excavator Specifications

## Dimensions (continued)

All dimensions are approximate and may vary depending on bucket selection.



### Boom Options

**Super Long Reach Boom**  
10.2 m (33'6")

### Stick Options

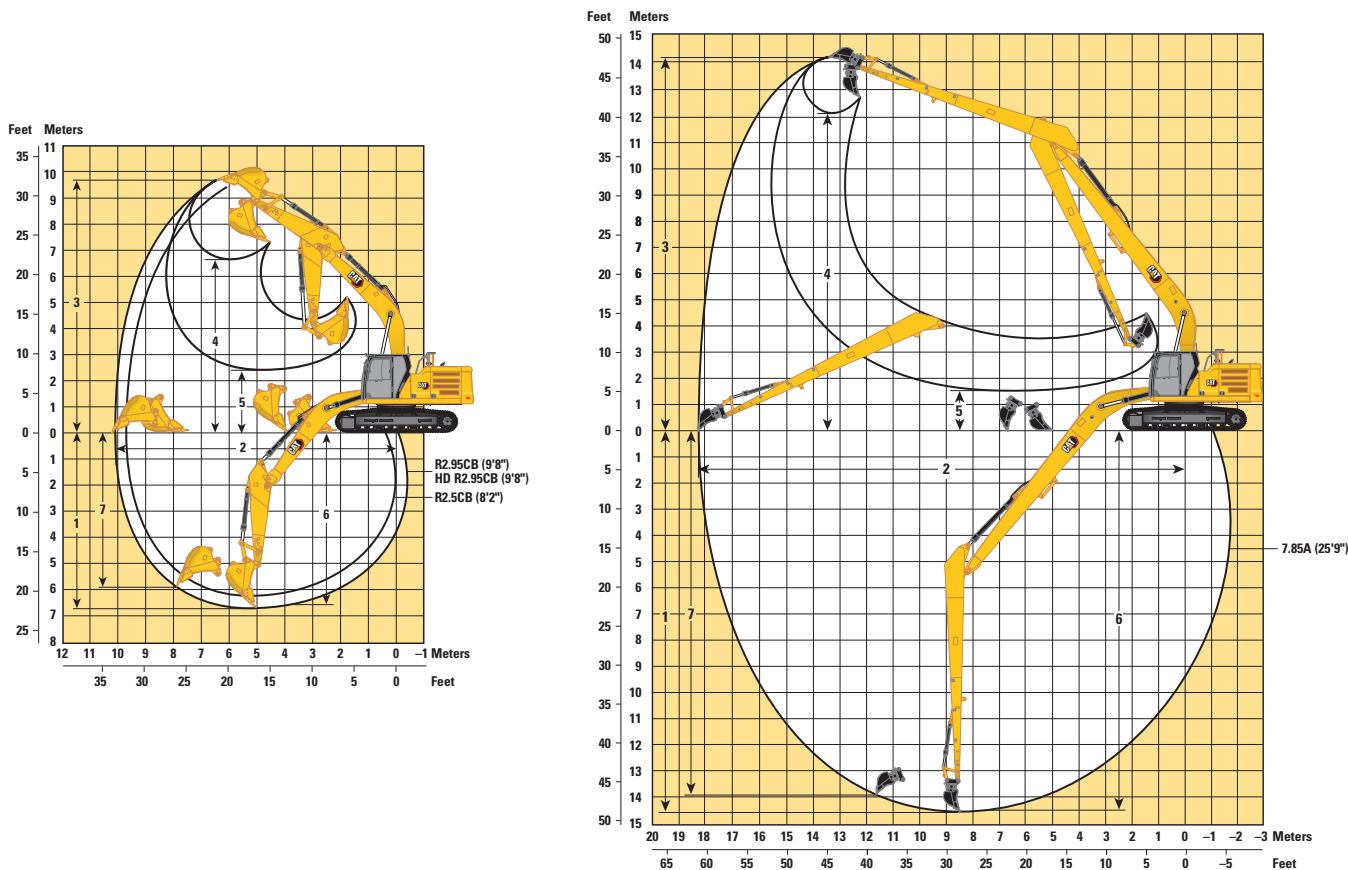
**Super Long Reach Stick**  
7.85A (25'9")

<b>1 Machine Height:</b>		
Top of Cab Height	3000 mm	9'10"
Top of GNSS Antenna Height (if installed)	3030 mm	9'11"
Top of OPG Height	3140 mm	10'4"
Handrail Height	3000 mm	9'10"
With Boom/Stick/Bucket Installed	3160 mm	10'4"
With Boom/Stick Installed	3160 mm	10'4"
With Boom Installed	3000 mm	9'10"
<b>2 Machine Length:</b>		
With Boom/Stick/Bucket Installed	14 350 mm	47'1"
With Boom/Stick Installed	14 350 mm	47'1"
With Boom Installed	13 250 mm	43'6"
<b>3 Upperframe Width</b>	2940 mm	9'8"
<b>4 Tail Swing Radius</b>	3000 mm	9'10"
<b>5 Counterweight Clearance</b>	1060 mm	3'6"
<b>6 Ground Clearance</b>	440 mm	1'5"
<b>7 Track Length – Length to Center of Rollers</b>	3830 mm	12'7"
<b>8 Track Length – Crawler Overall Length</b>	4640 mm	15'3"
<b>9 Track Gauge</b>	2590 mm	8'6"
<b>10 Undercarriage Width:</b>		
With 600 mm (24") Shoes	3190 mm	10'6"
With 700 mm (28") Shoes	3290 mm	10'10"
With 790 mm (31") Shoes with Steps	3380 mm	11'1"
Bucket Type	DC	
Bucket Capacity	0.57 m <sup>3</sup>	0.75 yd <sup>3</sup>
Bucket Tip Radius	1070 mm	3'6"

# 326 Hydraulic Excavator Specifications

## Working Ranges and Forces

All dimensions are approximate and may vary depending on bucket selection.



Boom Options	Reach Boom 5.9 m (19'4")		HD Reach Boom 5.9 m (19'4")		Super Long Reach Boom 10.2 m (33'6")			
	Stick Options		Stick Options		Stick Options			
	R2.5CB (8'2")		R2.95CB (9'8")		R2.95CB (9'8")		Super Long Reach Stick 7.85A (25'9")	
1 Maximum Digging Depth	6290 mm	20'8"	6740 mm	22'1"	6740 mm	22'1"	14 580 mm	47'10"
2 Maximum Reach at Ground Level	9620 mm	31'7"	10 030 mm	32'11"	10 030 mm	32'11"	18 280 mm	60'0"
3 Maximum Cutting Height	9470 mm	31'1"	9670 mm	31'9"	9670 mm	31'9"	14 210 mm	46'7"
4 Maximum Loading Height	6500 mm	21'4"	6700 mm	22'0"	6700 mm	22'0"	12 150 mm	39'10"
5 Minimum Loading Height	2930 mm	9'7"	2470 mm	8'1"	2470 mm	8'1"	1500 mm	4'11"
6 Maximum Depth Cut for 2440 mm (8'0") Level Bottom	6080 mm	19'11"	6560 mm	21'6"	6560 mm	21'6"	14 480 mm	47'6"
7 Maximum Vertical Wall Digging Depth	5480 mm	18'0"	5920 mm	19'5"	5920 mm	19'5"	13 980 mm	45'10"
Bucket Digging Force (ISO)	176 kN	39,570 lbf	176 kN	39,570 lbf	176 kN	39,570 lbf	62 kN	13,830 lbf
Stick Digging Force (ISO)	143 kN	32,150 lbf	122 kN	27,430 lbf	122 kN	27,430 lbf	45 kN	10,160 lbf
Bucket Type	GDX		GDX		GDX		DC	
Bucket Capacity	1.1 m <sup>3</sup>	1.44 yd <sup>3</sup>	1.1 m <sup>3</sup>	1.44 yd <sup>3</sup>	1.1 m <sup>3</sup>	1.44 yd <sup>3</sup>	0.57 m <sup>3</sup>	0.75 yd <sup>3</sup>
Bucket Tip Radius	1580 mm	5'2"	1580 mm	5'2"	1580 mm	5'2"	1070 mm	3'6"

# 326 Hydraulic Excavator Specifications

## Bucket Specifications and Compatibility

	Linkage	Width		Capacity		Weight		Counterweight	4600 kg (10,140 lb)		7400 kg (16,310 lb)	
		mm	in	m <sup>3</sup>	yd <sup>3</sup>	kg	lb	Fill %	Reach		HD Reach	SLR
									R2.5 (8'2")	R2.95 (9'8")	HD R2.95 (9'8")	7.85A (25'9")
<b>Pin-On (No Quick Coupler)</b>												
General Duty Excavation	CB	1200	47	1.03	1.35	946	2,085	100	●	●	●	
	CB	1300	51	1.10	1.44	983	2,167	100	●	●	●	
	CB	1350	53	1.20	1.57	1034	2,280	100	●	●	●	
	CB	1650	65	1.50	1.96	1157	2,552	100	●	⊙	⊖	
Heavy Duty Excavation	CB	1200	47	1.03	1.35	946	2,085	100	●	●	●	
	CB	1300	51	1.10	1.44	1098	2,420	100	●	●	●	
	CB	1450	57	1.30	1.70	1198	2,642	90	●	●	●	
General Duty Excavation	312, A	900	36	0.53	0.69	411	905	100				◇
Ditch Cleaning	312, A	1200	48	0.57	0.74	364	803	100				◇
Maximum load with pin-on (payload + bucket)								kg	4308	3966	3718	1044
								lb	9,498	8,744	8,197	2,302
<b>With Cat Pin Grabber Coupler</b>												
General Duty Excavation	CB	1300	51	1.10	1.44	983	2,167	100	●	●	●	
	CB	1350	53	1.20	1.57	1034	2,280	100	●	●	⊙	
	CB	1650	65	1.50	1.96	1157	2,552	100	⊖	⊖	○	
Heavy Duty Excavation	CB	1200	47	1.03	1.35	946	2,085	100	●	●	●	
	CB	1300	51	1.10	1.44	1098	2,420	100	●	●	⊙	
	CB	1450	57	1.30	1.70	1198	2,642	90	●	⊙	⊖	
Maximum load with coupler (payload + bucket)								kg	3782	3440	3192	518
								lb	8,337	7,583	7,037	1,141

The above loads are in compliance with hydraulic excavator standard EN474-5:2006 + A3:2013, they do not exceed 87% of hydraulic lifting capacity or 75% of tipping capacity with front linkage fully extended at ground line with bucket curled.

Capacity based on ISO 7451:2007.

Bucket weight with General Duty tips.

### Maximum Material Density:

- 2100 kg/m<sup>3</sup> (3,500 lb/yd<sup>3</sup>)
- ⊙ 1800 kg/m<sup>3</sup> (3,000 lb/yd<sup>3</sup>)
- ⊖ 1500 kg/m<sup>3</sup> (2,500 lb/yd<sup>3</sup>)
- 1200 kg/m<sup>3</sup> (2,000 lb/yd<sup>3</sup>)
- ◇ 900 kg/m<sup>3</sup> (1,500 lb/yd<sup>3</sup>)

Caterpillar recommends using appropriate work tools to maximize the value customers receive from our products. Use of work tools, including buckets, which are outside of Caterpillar's recommendations or specifications for weight, dimensions, flows, pressures, etc. may result in less-than-optimal performance, including but not limited to reductions in production, stability, reliability, and component durability. Improper use of a work tool resulting in sweeping, prying, twisting and/or catching of heavy loads will reduce the life of the boom and stick.



# 326 Hydraulic Excavator Specifications

## Attachments Offering Guide

Not all Attachments are available in all regions. Consult your Cat dealer for configurations available in your region.

Match

### PIN-ON ATTACHMENTS

Counterweight		4600 kg (10,140 lb)		
Boom Type		Reach		HD Reach
Stick Length		R2.5 (8'2")	R2.95 (9'8")	HD R2.95 (9'8")
Hydraulic Hammers	H120 GC Side Mount	✓	✓	✓
	H120 S	✓	✓	✓
	H130 S	✓	✓	✓
	H140 S	✓	✓	✓
Rotary Cutters	RC20	✓	✓	✓
	RC30	✓	✓	✓

### CAT PIN GRABBER COUPLER ATTACHMENTS

Counterweight		4600 kg (10,140 lb)		
Boom Type		Reach		HD Reach
Stick Length		R2.5 (8'2")	R2.95 (9'8")	HD R2.95 (9'8")
Hydraulic Hammers	H120 GC Side Mount	✓	✓	✓
	H120 S	✓	✓	✓
	H130 S	✓	✓	✓
	H140 S	✓	✓	✓
Rotary Cutters	RC20	✓	✓	✓
	RC30	✓	✓	✓

### TRS23 (PIN-ON TOP/S70 BOTTOM) ATTACHMENTS

Some attachments require more hydraulic flow and are best suited with a machine that has HP2 circuits and a tiltrotator with a high flow swivel. Check the hydraulic capability of your machine and tiltrotator and the requirements of your attachment to ensure a proper match.

Counterweight		4600 kg (10,140 lb)		
Boom Type		Reach		HD Reach
Stick Length		R2.5 (8'2")	R2.95 (9'8")	HD R2.95 (9'8")
Hydraulic Hammers	H120 S	✓	✓	✓
	H130 S	✓	✓	✓

**NOTE:** Use hammers on tiltrotators less than 10% of working hours per year or maximum 200 hours per year. Refer to your Operation and Maintenance Manual for recommended hydraulic flow requirements.

(continued on next page)

# 326 Hydraulic Excavator Specifications

## Attachments Offering Guide *(continued)*

Not all Attachments are available in all regions. Consult your Cat dealer for configurations available in your region.

Match

### TRS23 (PIN-ON TOP/S80 BOTTOM) ATTACHMENTS

Some attachments require more hydraulic flow and are best suited with a machine that has HP2 circuits and a tiltrotator with a high flow swivel. Check the hydraulic capability of your machine and tiltrotator and the requirements of your attachment to ensure a proper match.

**Counterweight**

**4600 kg (10,140 lb)**

Boom Type		Reach		HD Reach
		R2.5 (8'2")	R2.95 (9'8")	HD R2.95 (9'8")
Hydraulic Hammers	H120 S	✓	✓	✓
	H130 S	✓	✓	✓

**NOTE:** Use hammers on tiltrotators less than 10% of working hours per year or maximum 200 hours per year. Refer to your Operation and Maintenance Manual for recommended hydraulic flow requirements.

### BOOM-MOUNT ATTACHMENTS

**Counterweight**

**4600 kg (10,140 lb)**

Boom Type		Reach		HD Reach
		R2.5 (8'2")	R2.95 (9'8")	HD R2.95 (9'8")
Mobile Scrap and Demolition Shears	S3050 Flat Top	✓		✓

## Standard and Optional Equipment

Standard and optional equipment may vary. Consult your Cat dealer for details.

	Standard	Optional		Standard	Optional
<b>BOOMS, STICKS AND LINKAGES</b>			<b>ELECTRICAL SYSTEM</b>		
5.9 m (19'4") Reach boom	✓		Maintenance-free 1,000 CCA batteries	✓	
5.9 m (19'4") HD Reach boom		✓	Centralized electrical disconnect switch	✓	
10.2 m (33'6") Super Long Reach boom		✓	Programmable time-delay working lights	✓	
2.5 m (8'2") Reach stick		✓	LED chassis, boom and cab lights	✓	
2.95 m (9'8") Reach stick	✓		Premium surround lighting package		✓
2.95 m (9'8") HD Reach stick		✓	<b>ENGINE</b>		
7.85 m (25'9") Super Long Reach stick		✓	Cat® C7.1 single turbo diesel engine	✓	
Bucket linkage, CB1 type without lifting eye	✓		Three selectable modes: Power, Smart, Eco	✓	
Bucket linkage, A type without lifting eye for Super Long Reach		✓	4500 m (14,760 ft) altitude capability with engine power derate above 3000 m (9,840 ft)	✓	
Bucket linkage, A type without lifting eye for Super Long Reach, Cat Grade		✓	Electric cooling fans with auto-reverse function	✓	
<b>CAT TECHNOLOGY</b>			Auto engine speed control	✓	
VisionLink®	✓ <sup>1</sup>		Auto engine idle shutdown	✓	
VisionLink Productivity		✓	Electric fuel priming pump	✓	
Remote Flash	✓		52° C (125° F) high-ambient cooling capacity	✓	
Remote Troubleshoot	✓		-18° C (0° F) cold start capability	✓	
Cat Grade Connectivity		✓	Double element air filter with integrated pre-cleaner	✓	
Compatibility with radios and base stations from Trimble, Topcon, and Leica	✓		2 × 115 Amp dual alternator	✓	
Capability to install 3D grade systems from Trimble, Topcon, and Leica	✓		Two-stage fuel filtration system with water separator and indicator	✓	
Cat Grade 2D <sup>2</sup>	✓		<b>HYDRAULIC SYSTEM</b>		
Cat Grade 2D with Attachment Ready Option (ARO)		✓	Electronic main control valve	✓	
Cat Grade 3D single GNSS		✓	Boom and stick regeneration circuits	✓	
Cat Grade 3D dual GNSS		✓	Tandem type electronic main pump	✓	
Laser catcher		✓	Hydraulic efficiency monitoring		✓
Cat Assist <sup>2</sup> :	✓		Auxiliary pump		✓
– Boom Assist			Auto warm up	✓	
– Bucket Assist			Two-speed travel	✓	
– Swing Assist			Boom and stick drift reduction valve	✓	
– Grade Assist			Element type main hydraulic filter	✓	
Cat Payload <sup>2</sup> :	✓		<sup>1</sup> Connect subscription only. Additional subscriptions are available. Contact your Cat dealer for availability. <sup>2</sup> Optional on machines equipped with a Super Long Reach configuration.		
– Static weigh			<i>(continued on next page)</i>		
– Semiautomatic calibration					
– Payload/cycle information					
– USB reporting capability					
Work tool recognition (PL161)	✓				
Work tool tracking (PL161)	✓				
Cat Tilt Rotator (TRS) Integration		✓			
Operator Coaching		✓			

# 326 Standard and Optional Equipment

## Standard and Optional Equipment (continued)

Standard and optional equipment may vary. Consult your Cat dealer for details.

	Standard	Optional		Standard	Optional
<b>SAFETY AND SECURITY</b>			<b>UNDERCARRIAGE AND STRUCTURES</b>		
Cat Command (remote control)		✓	Two-piece segmented track guiding guards		✓
Cat 2D E-Fence <sup>2</sup> :	✓		Full length track guiding guards		✓
– E-ceiling			Swivel guard		✓
– E-floor			Standard travel motor guards		✓
– E-swing			HD travel motor guards		✓
– E-wall			Standard bottom guards		✓
– E-cab avoidance			HD bottom guards		✓
Auto hammer stop	✓		Center upper cover	✓	
Rear and right-hand-sideview cameras	✓		Grease lubricated track	✓	
Cab mirror for right-hand-side track edge		✓	4600 kg (10,140 lb) counterweight	✓	
360° visibility		✓	7400 kg (16,310 lb) counterweight for Super Long Reach		✓
Bluetooth receiver	✓		600 mm (24") double grouser track shoes		✓
Ground-level engine shutoff switch	✓		600 mm (24") triple grouser track shoes		✓
Lockable disconnect switch	✓		700 mm (28") triple grouser track shoes	✓	
Right-hand handrail and hand hold	✓		790 mm (31") triple grouser track shoes		✓
Signaling/warning horn	✓		Tie-down points	✓	
Service platform with anti-skid plate and countersunk bolts	✓				
Hydraulic lock out lever neutralizes all controls	✓				
Inspection lighting		✓			
<b>SERVICE AND MAINTENANCE</b>					
Side entry to service platform	✓				
Grouped location of engine oil and fuel filters	✓				
Scheduled Oil Sampling (S·O·S <sup>SM</sup> ) ports	✓				
Ground-level and platform-level dipstick for engine oil	✓				
Integrated vehicle health management system	✓				

<sup>2</sup>Optional on machines equipped with a Super Long Reach configuration.

## Cab Options

	Comfort	Deluxe	Premium (1 piece windshield)	Premium (2 piece windshield)
ROPS	●	●	●	●
High-resolution 203 mm (8") LCD touchscreen monitor	●	●	X	X
High-resolution 254 mm (10") LCD touchscreen monitor	X	○	●	●
Auto bi-level air conditioner	●	●	●	●
Jog dial and shortcut keys for monitor control	●	●	●	●
Keyless push-to-start engine control	●	●	●	●
Height-adjustable console	●	●	●	●
Tilt-up left-side console	X	●	●	●
Fixed left-side console	●	X	X	X
Mechanical-suspension seat	●	●	●	●
51 mm (2") seat belt	●	●	●	●
Bluetooth integrated radio with USB/Auxiliary ports	●	●	●	●
12V DC outlets	●	●	●	●
Document storage	●	●	●	●
Overhead storage and rear storage with nets	●	●	●	●
Beverage holder	●	●	●	●
Cup holder	●	●	●	●
Openable two-piece front window	●	●	●	○
One piece front windshield	X	X	○	●
Rear window emergency exit	●	●	●	●
Radial wiper with washer	●	●	X	X
Parallel wiper	X	X	●	●
Openable polycarbonate skylight hatch	X	●	●	X
Openable steel hatch	●	X	X	X
Laminated roof glass	X	X	X	●
LED dome light	●	●	●	●
Floor welcome light	X	●	●	●
Roof sunscreen	X	●	●	●
Roller front sunscreen	●	●	●	●
Roller rear sunscreen	○	○	●	●
Washable floor mat	●	●	●	●
Beacon ready	●	●	●	●
Bluetooth secure start/Attachment locator reader	●	●	●	●
Cat Stick Steer	○	○	○	○
Auxiliary relay	X	○	○	○

● Standard

○ Optional

X Not Available

# 326 Dealer Installed Kits and Attachments

## Dealer Installed Kits and Attachments

Attachments may vary. Consult your Cat dealer for details.

### CAB

- Lower radial wiper
- Rain protector plus cab light cover
- Laminated P5A glass front windshield
- LH/RH electrical pedal for tool control
- Armrest kit
- Seat with 4-point seatbelt capability
- Dual exit rear window kit
- 75 mm (3") retractable seat belt

### SAFETY AND SECURITY

- Cat Detect – People Detection
- Cat Command – Remote control kit

### GUARDS

- HD swivel guard 16 mm (0.63") thick
- Side rubber bumper guard
- Operator Protective Guards (not compatible with cab light cover, rain protector)
- Mesh guard full front (not compatible with cab light cover, rain protector)
- Mesh guard lower half front
- Cab vandalism guard

### ELECTRICAL

- Wiring group (jump start)

The following information applies to the machine at the time of final manufacture as configured for sale in the regions covered in this document. The content of this declaration is valid as of the date issued; however, content related to machine features and specifications are subject to change without notice. For additional information, please see the machine's Operation and Maintenance Manual.

For more information on sustainability in action and our progress, please visit <https://www.caterpillar.com/en/company/sustainability>.

## Engine

- The Cat® C7.1 engine meets U.S. EPA Tier 4 Final, EU Stage V, and Japan 2014 emission standards.
- Cat diesel engines are required to use ULSD (ultra-low sulfur diesel fuel with 15 ppm of sulfur or less) or ULSD blended with the following lower-carbon intensity fuels\*\* up to:
  - ✓ 20% biodiesel FAME (fatty acid methyl ester)\*
  - ✓ 100% renewable diesel, HVO (hydrogenated vegetable oil) and GTL (gas-to-liquid) fuels

Refer to guidelines for successful application. Please consult your Cat dealer or "Caterpillar Machine Fluids Recommendations" (SEBU6250) for details.

*\*Engines with no aftertreatment devices can use higher blends, up to 100% biodiesel (for use of blends higher than 20% biodiesel, consult your Cat dealer).*

*\*\*Tailpipe greenhouse gas emissions from lower-carbon intensity fuels are essentially the same as traditional fuels.*

## Air Conditioning System

- The air conditioning system on this machine contains the fluorinated greenhouse gas refrigerant R134a (Global Warming Potential = 1430). The system contains 0.85 kg (1.9 lb) of refrigerant which has a CO<sub>2</sub> equivalent of 1.216 metric tonnes (1.340 tons).

## Paint

- Based on best available knowledge, the maximum allowable concentration, measured in parts per million (PPM), of the following heavy metals in paint are:
  - Barium < 0.01%
  - Cadmium < 0.01%
  - Chromium < 0.01%
  - Lead < 0.01%

## Sound Performance

ISO 6395:2008 (external) – 103 dB(A)

ISO 6396:2008 (inside cab) – 70 dB(A)

- Hearing protection may be needed when operating with an open operator station and cab (when not properly maintained or doors/windows open) for extended periods or in a noisy environment.

## Oils and Fluids

- Caterpillar factory fills with ethylene glycol coolants. Cat Diesel Engine Antifreeze/Coolant (DEAC) and Cat Extended Life Coolant (ELC) can be recycled. Consult your Cat dealer for more information.
- Cat Bio HYDO™ Advanced is an EU Ecolabel approved biodegradable hydraulic oil.
- Additional fluids are likely to be present, please consult the Operations and Maintenance Manual or the Application and Installation guide for complete fluid recommendations and maintenance intervals.

## Features and Technology

- The following features and technology may contribute to fuel savings and/or carbon reduction. Features may vary. Consult your Cat dealer for details.
  - Advanced hydraulic systems balance power and efficiency
  - Smart mode matches machine power to digging requirements automatically
  - Eco mode minimizes fuel consumption for light applications
  - Increase operating efficiency up to 45% with standard Cat technologies
  - Cut maintenance costs with extended service intervals
  - Programmable high-efficiency cooling fans run only when needed
  - The latest hydraulic oil filter provides longer life with a 3,000-hour replacement interval

## Recycling

- The materials included in machines are categorized as below with approximate weight percentage. Because of variations of product configurations, the following values in the table may vary.

Material Type	Weight Percentage
Steel	84.28%
Iron	4.95%
Nonferrous Metal	2.37%
Mixed Metal	1.45%
Mixed-Metal and Nonmetal	0.94%
Plastic	1.19%
Rubber	0.17%
Mixed Nonmetallic	0.21%
Fluid	2.94%
Other	1.50%
Uncategorized	0.00%
Total	100%

- A machine with higher recyclability rate will ensure more efficient usage of valuable natural resources and enhance End-of-Life value of the product. According to ISO 16714:2008 (Earthmoving machinery – Recyclability and recoverability – Terminology and calculation method), recyclability rate is defined as percentage by mass (mass fraction in percent) of the new machine potentially able to be recycled, reused or both.

All parts in the bill of material are first evaluated by component type based on a list of components defined by the ISO 16714:2008 and Japan CEMA (Construction Equipment Manufacturers Association) standards. Remaining parts are further evaluated for recyclability based on material type.

Because of variations of product configurations, the following value in the table may vary.

Recyclability – 97%

For more complete information on Cat products, dealer services, and industry solutions, visit us on the web at [www.cat.com](http://www.cat.com)

© 2023 Caterpillar  
All rights reserved

Materials and specifications are subject to change without notice. Featured machines in photos may include additional equipment. See your Cat dealer for available options.

CAT, CATERPILLAR, LET'S DO THE WORK, their respective logos, "Caterpillar Corporate Yellow," the "Power Edge" and Cat "Modern Hex" trade dress as well as corporate and product identity used herein, are trademarks of Caterpillar and may not be used without permission. VisionLink is a trademark of Caterpillar Inc., registered in the United States and in other countries.

Based on the Labor, Safety and Health Laws in Japan, employer of small construction equipment are required to provide specific training for all operators on machines with ship weight less than 3 metric ton. For machines greater than 3 metric ton, operator needs to obtain operator license certification from a Government approved registered training school.

AEXQ2564-05 (09-2023)  
Replaces AEXQ2564-04  
Build Number: 07F  
(Japan)

