

## Introduction

This document provides instructions for installing an accessory on a Cat® Utility Vehicle (CUV). Do not perform any procedure in this document until you have read and understood the information contained in this document and the Operation and Maintenance Manual.

## Safety Section

<p><b>⚠ WARNING</b></p> <p>Do not operate or work on this product unless you have read and understood the instruction and warnings in the relevant Operation and Maintenance Manuals and relevant service literature. Failure to follow the instructions or heed the warnings could result in injury or death. Proper care is your responsibility.</p>	<p><b>⚠ WARNING</b></p> <p>Personal injury can result from improper handling of chemicals. Make sure you use all the necessary protective equipment required to do the job. Make sure that you read and understand all directions and hazards described on the labels and material safety data sheet of any chemical that is used. Observe all safety precautions recommended by the chemical manufacturer for handling, storage, and disposal of chemicals.</p>
<p><b>⚠ WARNING</b></p> <p>Failure to follow all safety guidelines prescribed in this document and by governing authorities and regulatory agencies may result in severe injury or death of personnel or machine damage.</p>	<p><b>⚠ WARNING</b></p> <p>Before servicing/performing maintenance on the machine, electrical power must be physically disconnected; battery cables must be disconnected from the battery. All applicable lock out and tag out procedures must be followed.</p>
<p><b>⚠ WARNING</b></p> <p>When removing a major component or attachment, ensure that it is properly blocked or secured before removing mounting hardware. An assembly that is disconnected without proper blocking may shift or fall, resulting in serious injury or death of personnel or machine damage.</p>	<p><b>⚠ WARNING</b></p> <p>Observe the safe working load limits of all lifting and blocking devices and keep a safe distance from suspended/blocked loads. Personnel may be seriously injured or killed by falling loads.</p>
<p><b>⚠ WARNING</b></p> <p>Personal injury or death can result from improper maintenance procedures. To avoid injury or death, follow the procedures exactly as stated below.</p>	<p><b>⚠ WARNING</b></p> <p>Do not operate the machine if any guards or covers are missing or inadequately secured. Personnel could be seriously injured or machine damage may occur.</p>

# Caterpillar®

## Installation Instructions - Accessory Kit

### Headache Rack Kit

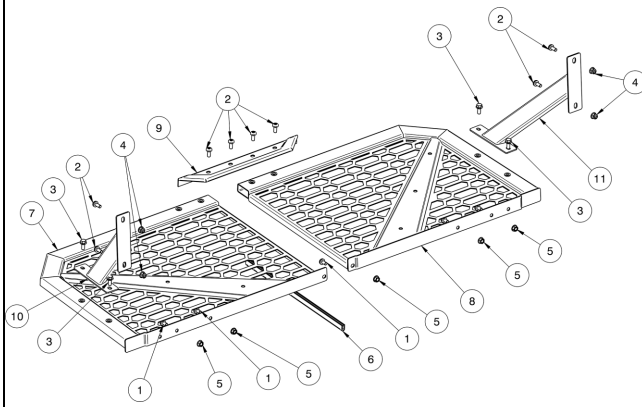
(p/n 545-8289)



■ **NOTE:** Read these Installation Instructions thoroughly before beginning the installation process. Retain these Installation Instructions for future reference.

#### Kit includes:

Ref. No.	QTY	DESCRIPTION
1	5	Button-Head Screw (M8 x 16 mm)
2	8	Button-Head Screw (M8 x 20 mm)
3	4	Hex Flange Screw (M8 x 20 mm)
4	4	Nylon Flange Nut (M8)
5	5	Serrated Flange Nut (M8)
6	1	Trim
7	1	Left-Side Rack
8	1	Right-Side Rack
9	1	Center Bracket
10	1	Left-Side Brace
11	1	Right-Side Brace

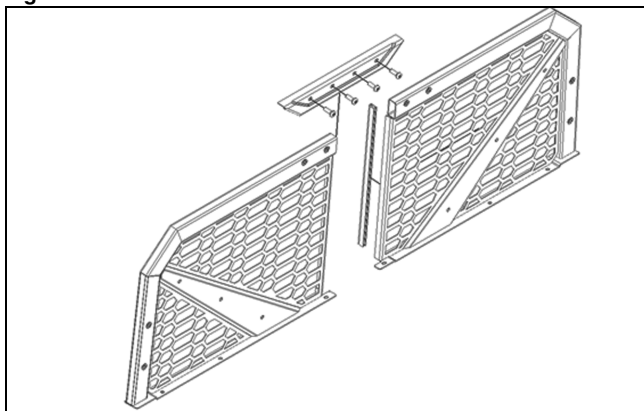


#### Tools Required:

- T45 Torx Bit
- 13 mm Socket/Wrench
- 21/64-in. Drill Bit w/Power Drill
- Ratchet Wrench

1. Secure Right- and Left-Side Racks together using Center Bracket, four Button-Head Screws (M8 x 20 mm). Install Trim over the center of the two racks. Tighten securely. See Fig. 1.

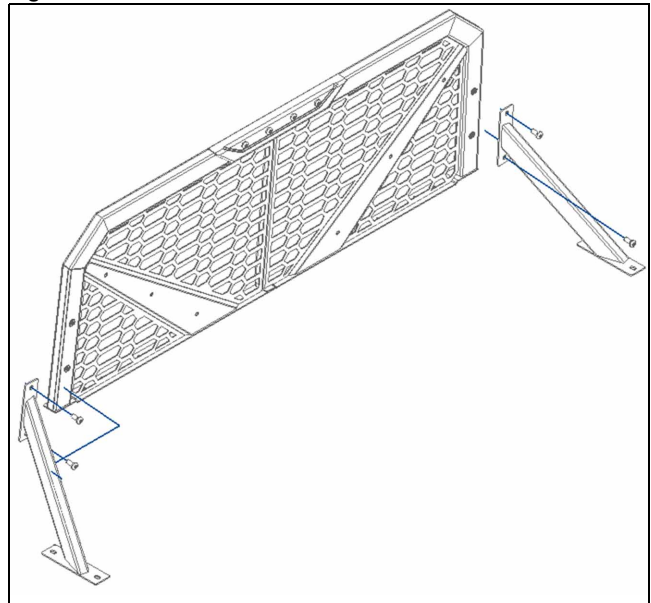
Fig. 1



VOR-364

2. Secure Right- and Left-Side Braces to the rack using four Hex Flange Screws (M8 x 20 mm). Tighten securely. See Fig. 2.

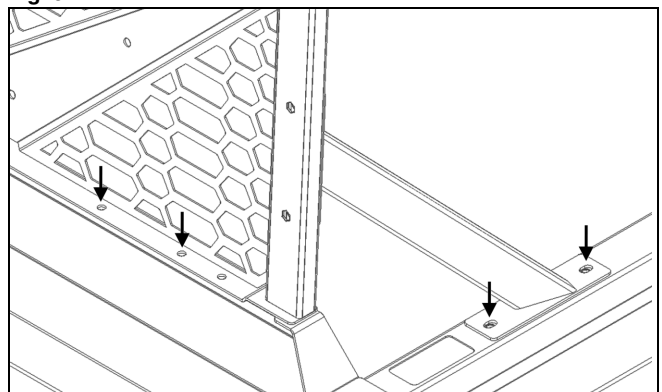
Fig. 2



VOR-399

3. Position the headache rack assembly onto the front of the cargo box; then mark all nine mounting locations. Remove the rack. See Fig. 3.

Fig. 3



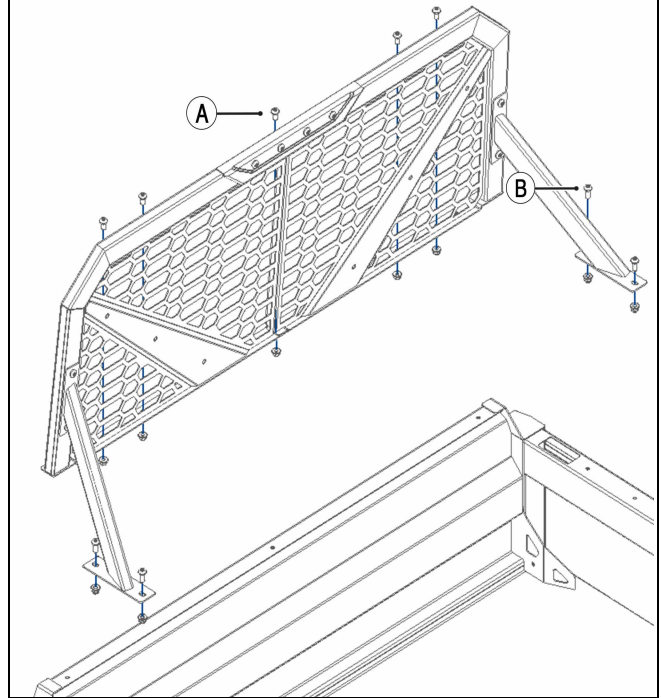
VOR-400

4. Using a 21/64-in. drill bit, drill all nine mounting locations in the cargo box.
5. Position the headache rack onto the cargo box aligning with the mounting locations.

6. Loosely secure the headache rack to the front of the cargo box using five Button-Head Screws (M8 x 16 mm) (A) and five M8 Serrated Flange Nuts. See Fig. 5.

7. Loosely secure the support braces to the sides of the cargo box using four button-head screws (M8 x 20 mm) (B) and four M8 Nylon Flange Nuts. See Fig. 5.

**Fig. 5**



VOR-401

8. Tighten all hardware securely.