

Introduction

This document provides instructions for installing an accessory on a Cat® Utility Vehicle (CUV). Do not perform any procedure in this document until you have read and understood the information contained in this document and the Operation and Maintenance Manual.

Safety Section

<p>⚠ WARNING</p> <p>Do not operate or work on this product unless you have read and understood the instruction and warnings in the relevant Operation and Maintenance Manuals and relevant service literature. Failure to follow the instructions or heed the warnings could result in injury or death. Proper care is your responsibility.</p>	<p>⚠ WARNING</p> <p>Personal injury can result from improper handling of chemicals. Make sure you use all the necessary protective equipment required to do the job. Make sure that you read and understand all directions and hazards described on the labels and material safety data sheet of any chemical that is used. Observe all safety precautions recommended by the chemical manufacturer for handling, storage, and disposal of chemicals.</p>
<p>⚠ WARNING</p> <p>Failure to follow all safety guidelines prescribed in this document and by governing authorities and regulatory agencies may result in severe injury or death of personnel or machine damage.</p>	<p>⚠ WARNING</p> <p>Before servicing/performing maintenance on the machine, electrical power must be physically disconnected; battery cables must be disconnected from the battery. All applicable lock out and tag out procedures must be followed.</p>
<p>⚠ WARNING</p> <p>When removing a major component or attachment, ensure that it is properly blocked or secured before removing mounting hardware. An assembly that is disconnected without proper blocking may shift or fall, resulting in serious injury or death of personnel or machine damage.</p>	<p>⚠ WARNING</p> <p>Observe the safe working load limits of all lifting and blocking devices and keep a safe distance from suspended/blocked loads. Personnel may be seriously injured or killed by falling loads.</p>
<p>⚠ WARNING</p> <p>Personal injury or death can result from improper maintenance procedures. To avoid injury or death, follow the procedures exactly as stated below.</p>	<p>⚠ WARNING</p> <p>Do not operate the machine if any guards or covers are missing or inadequately secured. Personnel could be seriously injured or machine damage may occur.</p>

Caterpillar®

Installation Instructions - Accessory Kit

Roof Console Harness Kit

(p/n 571-4890)



■ **NOTE:** Read these Installation Instructions thoroughly before beginning the installation process. Retain these Installation Instructions for future reference.

Kit includes:		
QTY		DESCRIPTION
1		Harness
1		Relay
2		Fuse (15 Amp)
6		Cable Tie
1		Harness Cover

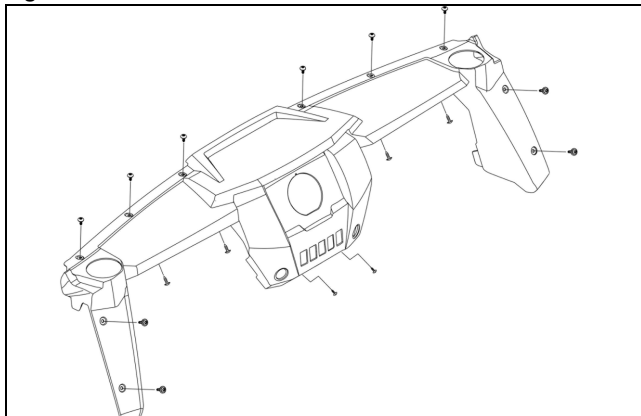
Tools Required:

- T30 Torx
- 10 mm Wrench
- Side Cutter
- Router or Die Grinder

■ **NOTE:** Overhead Console Kit is required to install this kit.

1. If the overhead console is installed, remove the hardware securing the console.
2. Remove the screws securing the dashboard to the vehicle. See Fig. 1.

Fig. 1



VOH-541

3. Gently lift the dashboard above the cup holders on each side. Take note of the tabs on each side that must be lifted vertically at an angle.
4. Route Harness down between the dashboard and the left-side front ROPS tube and connect it to the main harness below the top of the dashboard.
5. Once the harness has been routed down between the ROPS and the dashboard, the dashboard will have to be cut using a router or die grinder for the harness to clear. Install the dashboard and secure using the existing hardware. See Fig. 2.

Fig. 2



ROV-902

6. Route the harness up the front left ROPS tube; then secure the harness to the ROPS using Harness Cover. Once desired harness cover fitment is achieved, remove the cover and peel the backing from the double sided tape and install the cover. See Fig. 3.

Fig. 3



ROV-926

■ **NOTE:** The cover will have to be cut if a windshield is installed to go on either side of the clamps.

7. Route the connectors according to the white tags near the connector to the designated area on the overhead console. Cable Tie as needed. See Fig. 4 and 5.

Fig. 4



ROV-927

Fig. 5



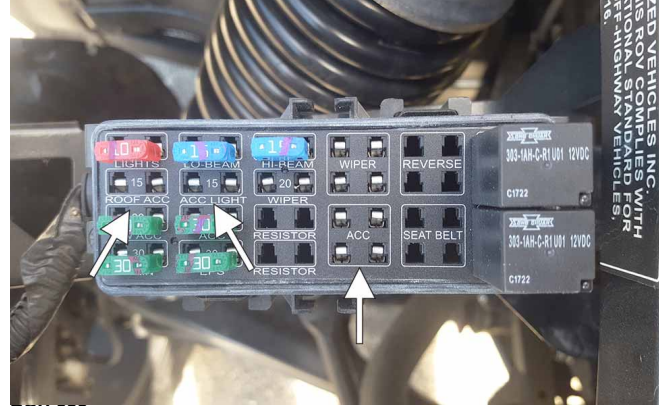
ROV-928

8. Install the overhead console using the existing hardware.

9. Remove the hood; then remove the passenger side PDM cover.

10. Install the 15 Amp Fuses into the ROOF ACC and ACC Light slots; then install the Relay into the ACC slot. See Fig. 6.

Fig. 6



ROV-929

11. Install the PDM cover and the hood.