

## Introduction

This document provides instructions for installing an accessory on a Cat® Utility Vehicle (CUV). Do not perform any procedure in this document until you have read and understood the information contained in this document and the Operation and Maintenance Manual.

## Safety Section

<p><b>⚠ WARNING</b></p> <p>Do not operate or work on this product unless you have read and understood the instruction and warnings in the relevant Operation and Maintenance Manuals and relevant service literature. Failure to follow the instructions or heed the warnings could result in injury or death. Proper care is your responsibility.</p>	<p><b>⚠ WARNING</b></p> <p>Personal injury can result from improper handling of chemicals. Make sure you use all the necessary protective equipment required to do the job. Make sure that you read and understand all directions and hazards described on the labels and material safety data sheet of any chemical that is used. Observe all safety precautions recommended by the chemical manufacturer for handling, storage, and disposal of chemicals.</p>
<p><b>⚠ WARNING</b></p> <p>Failure to follow all safety guidelines prescribed in this document and by governing authorities and regulatory agencies may result in severe injury or death of personnel or machine damage.</p>	<p><b>⚠ WARNING</b></p> <p>Before servicing/performing maintenance on the machine, electrical power must be physically disconnected; battery cables must be disconnected from the battery. All applicable lock out and tag out procedures must be followed.</p>
<p><b>⚠ WARNING</b></p> <p>When removing a major component or attachment, ensure that it is properly blocked or secured before removing mounting hardware. An assembly that is disconnected without proper blocking may shift or fall, resulting in serious injury or death of personnel or machine damage.</p>	<p><b>⚠ WARNING</b></p> <p>Observe the safe working load limits of all lifting and blocking devices and keep a safe distance from suspended/blocked loads. Personnel may be seriously injured or killed by falling loads.</p>
<p><b>⚠ WARNING</b></p> <p>Personal injury or death can result from improper maintenance procedures. To avoid injury or death, follow the procedures exactly as stated below.</p>	<p><b>⚠ WARNING</b></p> <p>Do not operate the machine if any guards or covers are missing or inadequately secured. Personnel could be seriously injured or machine damage may occur.</p>

# Caterpillar®

## Installation Instructions - Accessory Kit

### Soft Door Kit

(p/n 576-3041)



■ **NOTE:** Read these Installation Instructions thoroughly before beginning the installation process. Retain these Installation Instructions for future reference.

#### Kit includes:

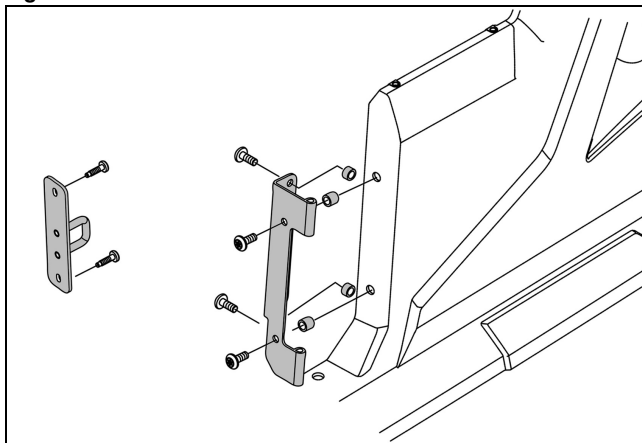
QTY	DESCRIPTION
1	Right-Side Door Assembly
1	Left-Side Door Assembly
2	Door Handle Assembly
2	Upper Door Hinge
2	Lower Door Hinge
1	Right-Side Upper Frame Hinge
1	Left-Side Upper Frame Hinge
1	Right-Side Lower Frame Hinge
1	Left-Side Lower Frame Hinge
6	Cap Screw (M6 x 16 mm)
2	Flat Washer (M6)
12	Button-Head Screw (M8 x 25 mm)
4	Cap Screw (M8 x 30 mm)
12	Nyloc Nut (M8)
4	Allen-Head Cap Screw (M10 x 60 mm)
6	Flange Nut (M10)
2	Heat Shrink
2	Latch Cable Assembly

#### Tools Required:

- T40 Torx Bit
- 10 mm Wrench/Socket
- Ratchet Wrench
- Razor Blade
- 1-in. Drill Bit w/Power Drill
- Shrink Tube
- Lithium Grease

1. Remove the four screws securing the door bracket to the frame; then remove the door and the bracket. Account for the four spacers. See Fig. 1.
2. Remove the two screws securing the door striker. Remove the striker; then install the screws without the striker. Tighten securely. See Fig. 1.

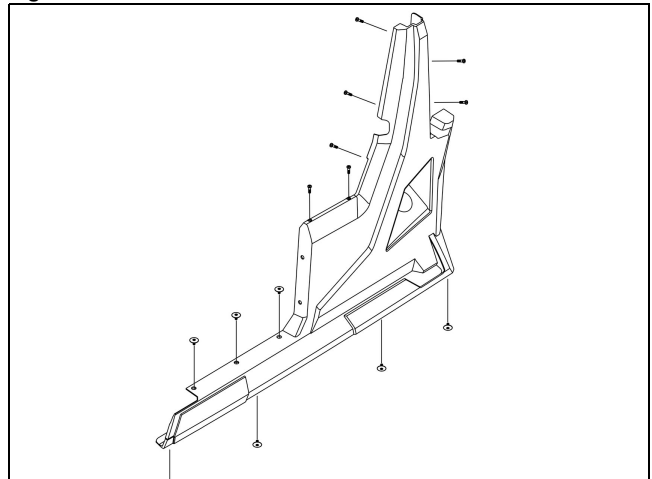
Fig. 1



VOR-457

3. Remove the gas tank cap; then remove the screws securing the left side panel. Remove the panel. See Fig. 2.

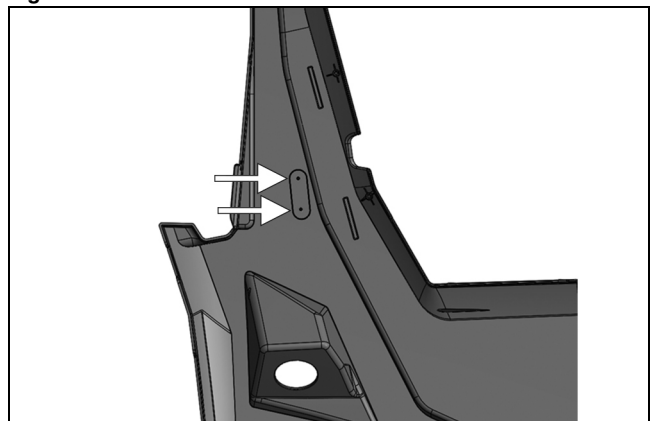
Fig. 2



VOR-458

4. Remove the hardware securing the shoulder restraint to the frame. Remove the restraint.
5. On the inside of the side panel, locate the drill locations. See Fig. 3.

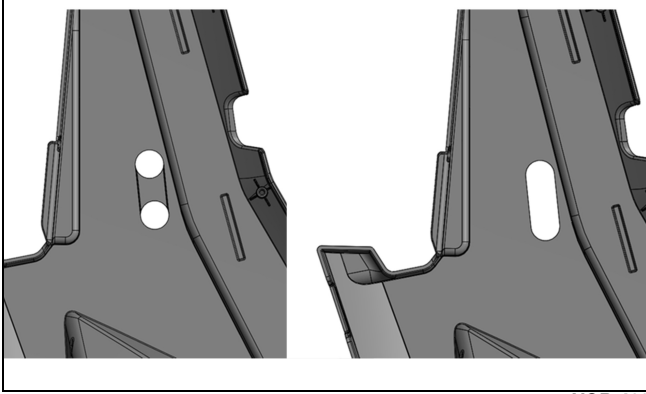
Fig. 3



VOR-459

6. Using a 1-in. drill bit, drill out both locations; then using a suitable cutting tool, remove the area in the panel indicated by the boss in the panel. Deburr the edges after cutting the panel. See Fig. 4.

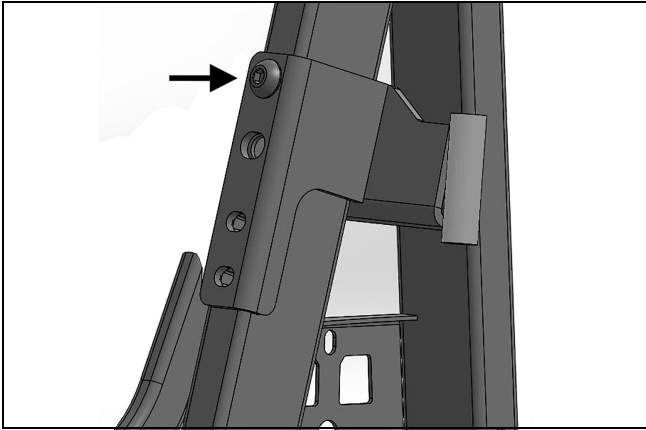
Fig. 4



VOR-460

7. Secure Left-Side Lower Frame Hinge to the frame using one Button-Head Cap Screw (M10 x 80 mm) (head of the screw must be installed from the front) and one Flange Nut (M10). Tighten securely. See Fig. 5.

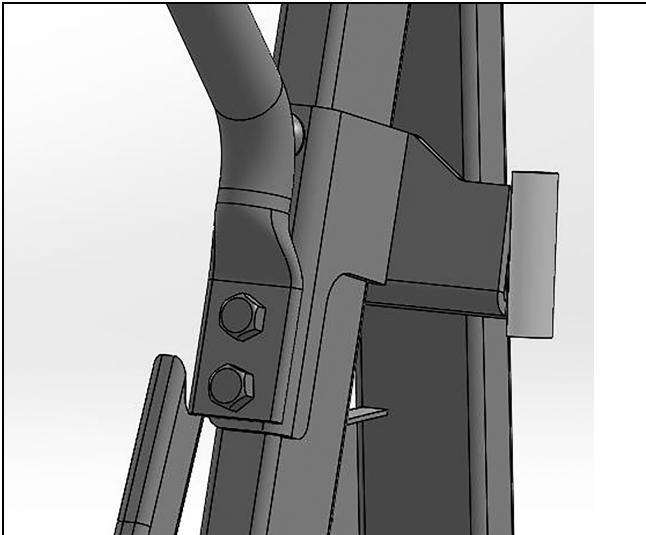
Fig. 5



VOR-585

8. Install the upper portion of the shoulder restraint with the ROPS and loosely secure using the existing cap screw and nut; secure the lower portion of the side restraint through the bracket and into the frame using two Cap Screws (M8 x 30 mm). Tighten securely. See Fig. 6.

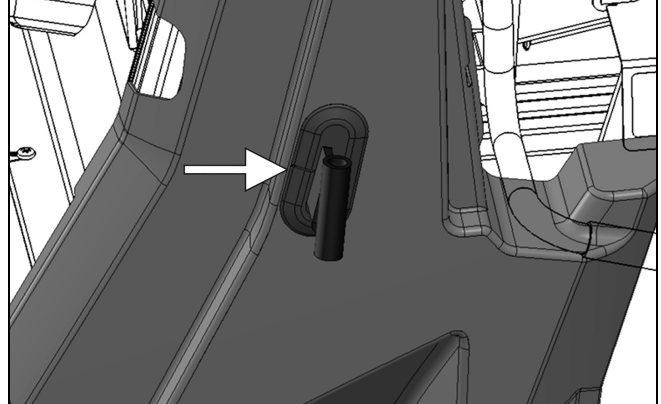
Fig. 6



VOR-587

9. Install the side panel using the existing hardware; then install Rubber Seal around the Lower Frame Hinge making sure the seal is installed securely into the side panel. See Fig. 7.

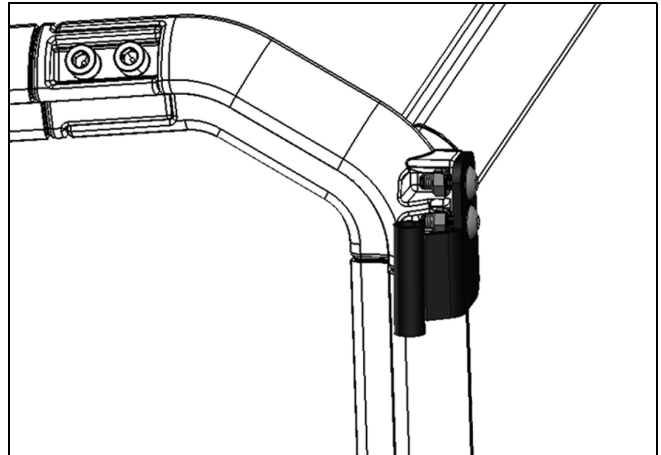
Fig. 7



VOR-463

10. Secure Left-Side Upper Frame Hinge to the upper rear portion of the ROPS using two Button-Head Screws (M8 x 25 mm) and two Nyloc Nuts (M8). The nuts will slide into the openings in the ROPS. Tighten securely making sure the hinge is level. See Fig. 8.

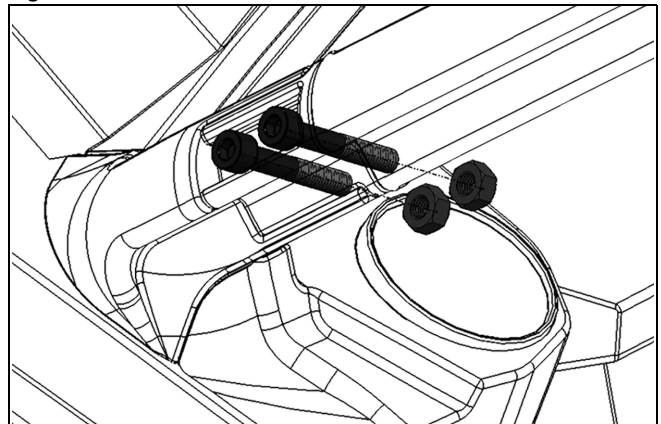
Fig. 8



VOR-462

11. Loosen the two Allen-head screws and nuts securing the ROPS to the frame. Only remove the nuts at this time. See Fig. 9.

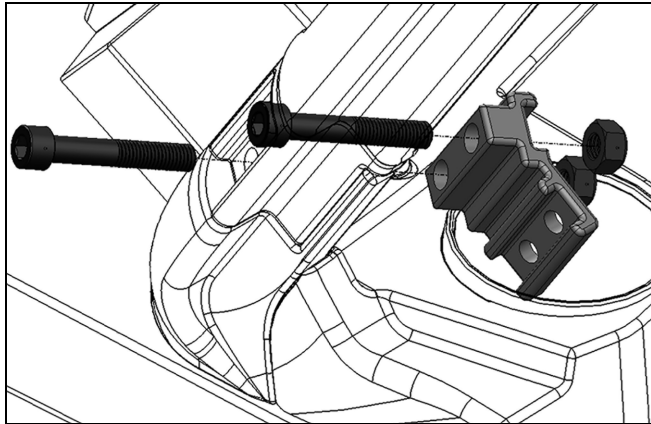
Fig. 9



VOR-467

12. Position Striker Bracket with the existing screws; then remove one screw and install one new Allen-Head Cap Screw (M10 x 60 mm) and one Hex Nut (M10). Remove the other screw and install one new Allen-Head Cap Screw (M10 x 60 mm) and one Hex Nut (M10). Tighten to 34 ft-lb. See Fig. 10.

Fig. 10



13. Position Striker onto the inside of the Striker Bracket and secure using two Button-Head Screws (M8 x 20 mm), two Flat Washers (M8), and two Nyloc Nuts (M8). Tighten only until snug at this time. See Figs. 11 and 12.

Fig. 11

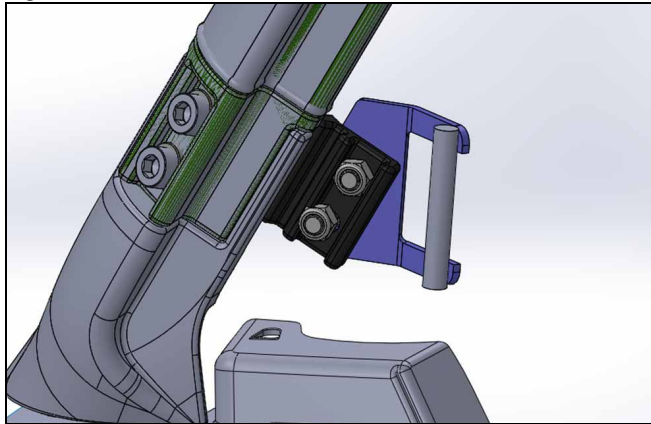
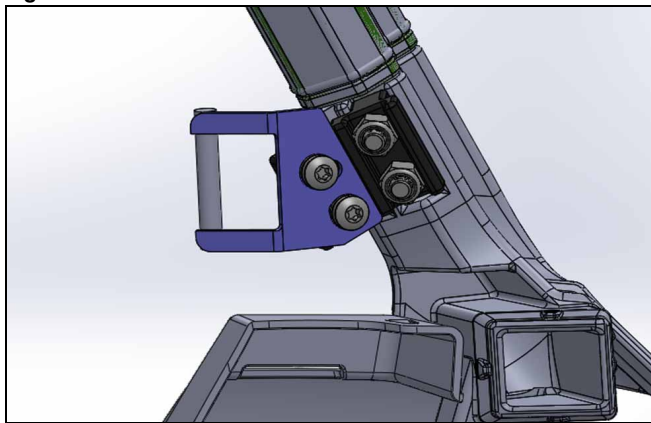


Fig. 12



14. On the Left-Side Door Assembly, unzip the inner door fabric around the window to allow access to the interior of the door.

15. Cut the area around the bracket holes for Upper Door Hinge using a razor blade to allow the cap screws to pass through. See Fig. 13.

Fig. 13



16. Secure the Upper Door Hinge to the door using three Button-Head Screws (M8 x 20 mm), three Flat Washers (M8), and three Flange Nuts (M8). Tighten securely. See Fig. 14.

Fig. 14



17. Cut the area around the bracket holes for Lower Door Hinge using a razor blade to allow the cap screws to pass through. See Fig. 15.

Fig. 15



- Secure the Lower Door Hinge to the door using three Button-Head Screws (M8 x 20 mm), three Flat Washers (M8), and three Flange Nuts (M8). Tighten securely. See Fig. 16.

Fig. 16



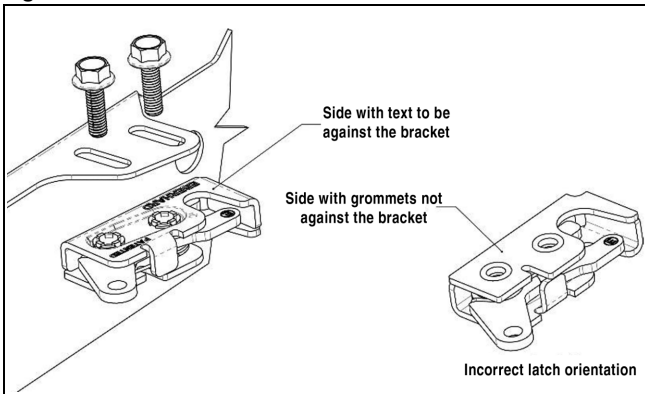
ROV-847

■ **NOTE:** Install lithium grease to the springs in the latch. Apply grease every 500 hours of use.

- Determine if Latch should be installed on the bottom or top side of the door bracket before securing the latch. Loosely secure the latch to the bottom/top side of the door bracket using two Cap Screws (M6 x 16 mm).

■ **NOTE:** When assembling the latch to the bottom side of the door bracket, the text on the latch should be installed against the bracket. The side with the grommets must be on the bottom (exposed) side of the latch and not against the bracket. See Fig. 17.

Fig. 17



VOR-645

- Cut the area around the latch and handle plate holes using a razor blade to allow the cap screws to pass through. The Plastic Handle should cover the holes. See Fig. 18.

Fig. 18



ROV-849

- Position the Plastic Handle over the mounting holes in the door; then secure the handle to the door using three Cap Screws (M6 x 16 mm) and one Flat Washer (M6) (A). Tighten securely. See Fig. 20.
- Thread the eye end (B) from Latch Cable Assembly into the center hole in the Handle. Tighten securely. See Fig. 19.

Fig. 19



ROV-850

- Install Heat Shrink onto the cable; then loosely secure Red Pull Tab to the top of the latch handle using one Cap Screw (w/Hole) (M6 x 16 mm) and one Flange Nut (M6). See Fig. 20.

Fig. 20

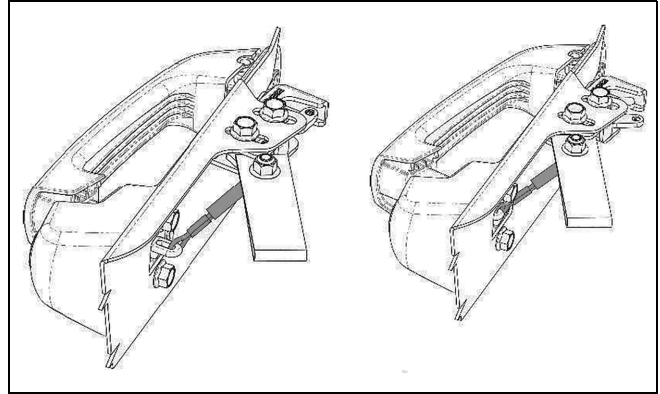


ROV-851

24. Install the door onto the hinges on the vehicle and secure using two Cap Screws (M10 x 90 mm), four Nylon Washers (installed between the hinges), and two M10 Nuts. Tighten securely.

■ **NOTE:** When adjusting the cable, the handle has 1 inch of travel. Make sure the handle opens at least half way before the latch disengages. When the handle is fully open, the latch should disengage. See Fig. 21.

**Fig. 21**



VOR-645

25. Adjust the hinges, latch, and striker positions so the door opens, closes, and latches smoothly. Tighten all hardware securely.
26. Complete the installation of the latch cable by setting the cable so both the outer handle and inner release will operate the latch. Secure using Shrink Tube. Do not set the cable too short — some play is acceptable.
27. Repeat for the right side.