

## Introduction

This document provides instructions for installing an accessory on a Cat® Utility Vehicle (CUV). Do not perform any procedure in this document until you have read and understood the information contained in this document and the Operation and Maintenance Manual.

## Safety Section

<p><b>⚠ WARNING</b></p> <p>Do not operate or work on this product unless you have read and understood the instruction and warnings in the relevant Operation and Maintenance Manuals and relevant service literature. Failure to follow the instructions or heed the warnings could result in injury or death. Proper care is your responsibility.</p>	<p><b>⚠ WARNING</b></p> <p>Personal injury can result from improper handling of chemicals. Make sure you use all the necessary protective equipment required to do the job. Make sure that you read and understand all directions and hazards described on the labels and material safety data sheet of any chemical that is used. Observe all safety precautions recommended by the chemical manufacturer for handling, storage, and disposal of chemicals.</p>
<p><b>⚠ WARNING</b></p> <p>Failure to follow all safety guidelines prescribed in this document and by governing authorities and regulatory agencies may result in severe injury or death of personnel or machine damage.</p>	<p><b>⚠ WARNING</b></p> <p>Before servicing/performing maintenance on the machine, electrical power must be physically disconnected; battery cables must be disconnected from the battery. All applicable lock out and tag out procedures must be followed.</p>
<p><b>⚠ WARNING</b></p> <p>When removing a major component or attachment, ensure that it is properly blocked or secured before removing mounting hardware. An assembly that is disconnected without proper blocking may shift or fall, resulting in serious injury or death of personnel or machine damage.</p>	<p><b>⚠ WARNING</b></p> <p>Observe the safe working load limits of all lifting and blocking devices and keep a safe distance from suspended/blocked loads. Personnel may be seriously injured or killed by falling loads.</p>
<p><b>⚠ WARNING</b></p> <p>Personal injury or death can result from improper maintenance procedures. To avoid injury or death, follow the procedures exactly as stated below.</p>	<p><b>⚠ WARNING</b></p> <p>Do not operate the machine if any guards or covers are missing or inadequately secured. Personnel could be seriously injured or machine damage may occur.</p>

# Caterpillar®

## Installation Instructions - Accessory Kit

### Seal Kit

(p/n 576-9838)



■ **NOTE:** Read these Installation Instructions thoroughly before beginning the installation process. Retain these Installation Instructions for future reference.

#### Kit includes:

QTY	DESCRIPTION
1	Upper Left Seat Belt Seal
1	Upper Right Seat Belt Seal
2	Side Panel Seal (Side Restraint)
1	Lower Left Seat Belt Seal
1	Lower Right Seat Belt Seal
1	Center Dash Seal
1	Right Dash Seal
1	Left Dash Seal
1	Rear Seal Hardware Kit

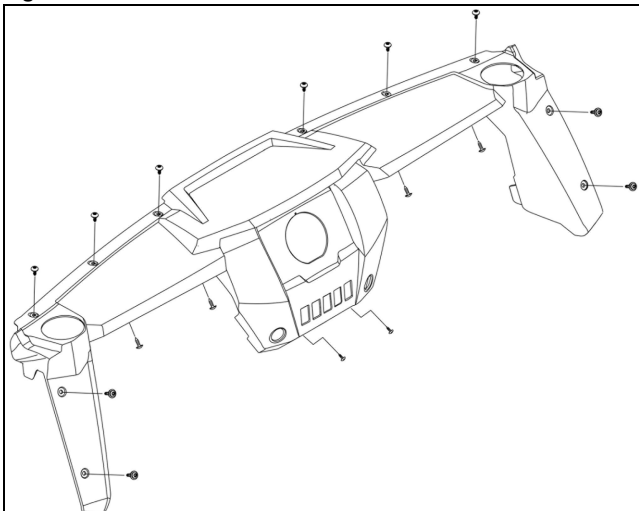
#### Tools Required:

- T25 Torx Bit
- T30 Torx Bit
- 1/4-in. Drill Bit w/Power Drill

#### Installing Dash Seals

1. Remove the screws securing the dashboard to the vehicle. See Fig. 1.

Fig. 1



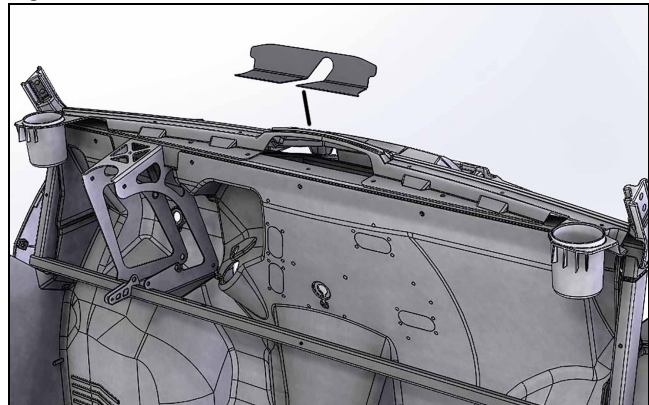
VOR-541

2. Gently lift the dashboard above the cup holders on each side. Take note of the tabs on each side that must be lifted vertically at an angle.

■ **NOTE:** Make sure the sealing surface for the center dash seal is clean before installing the seal.

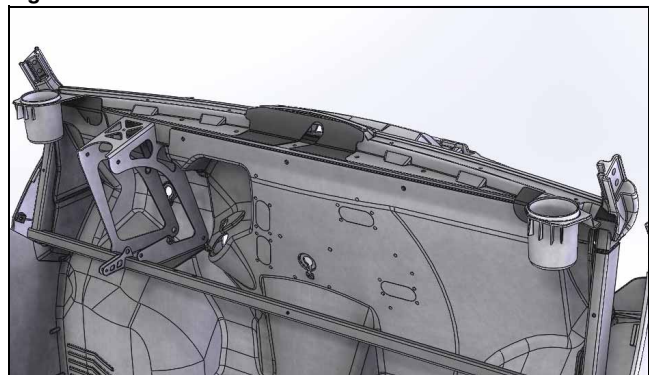
3. Remove the backing from the Center Dash Seal; then adhere the seal to the frame making sure the seal is properly seated around the wiring harness. See Fig. 2 and 3.

Fig. 2



VOR-590

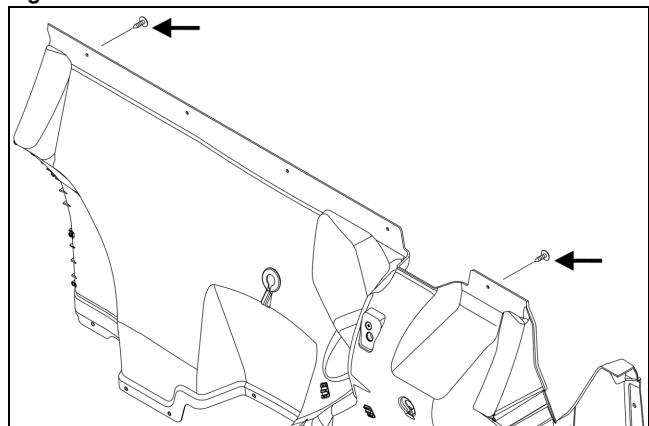
Fig. 3



VOR-584

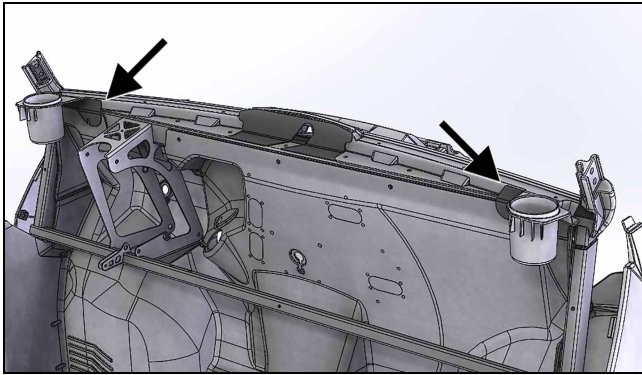
4. Locate and loosen the two screws securing the splash panel to the frame just to the inside of the cup holders; then position Right- and Left-Side Dash seals with the screws. Tighten the screws securely. See Fig. 4 and 5.

Fig. 4



VOR-591

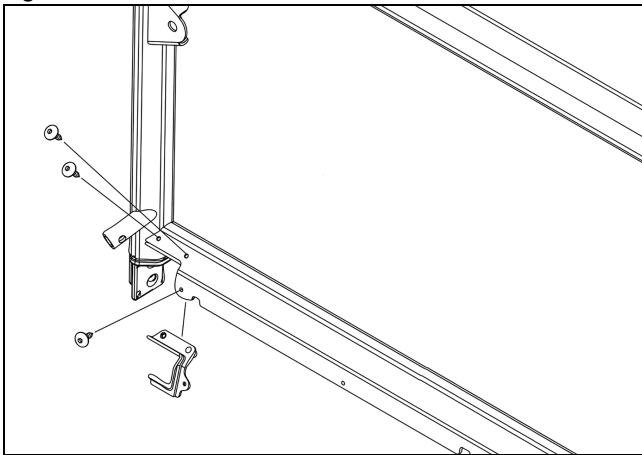
Fig. 5



VOR-592

5. Install the dash using the existing hardware.
6. Remove the two upper screws securing the seat belt protective insert to the rear ROPS; then only loosen the lower inside screw. See Fig. 6.

Fig. 6



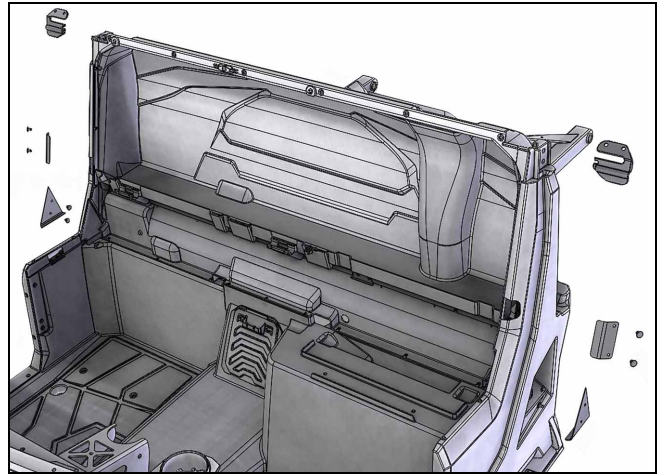
VOR-589

7. Position Seat Belt Seals around the seat belt and aligning with the mounting locations from the previous step. Secure using the existing screws. Tighten securely. See Fig. 7 and 8.
8. Position Side Panel Seals over the openings for the side restraints; then using a 1/4-in. drill bit, drill the mounting locations. Secure using four push pins. See Fig. 7 and 8.

■ **NOTE:** The seats can be removed to gain better access to the lower seat belt seal locations.

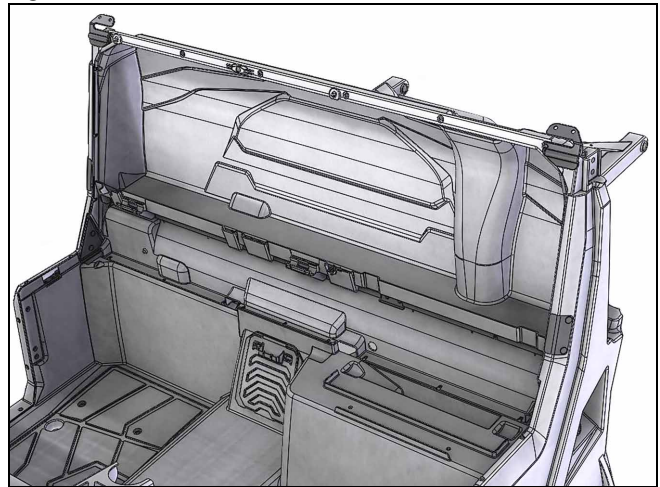
9. Position Lower Right- and Lower Left-Side Seals around the openings; then using a 1/4-in. drill bit, drill all mounting locations. Secure using the push pins. See Fig. 7 and 8.

Fig. 7



VOR-582

Fig. 8



VOR-583