



Cat[®] 302.7D CR

MINI HYDRAULIC EXCAVATOR

Specifications

Engine

| | | |
|----------------------------|----------------------|--------------------|
| Engine Model | Yanmar 3TNV76 | |
| Rated Net Power (ISO 9249) | 15.2 kW | 20.7 hp |
| Gross Power | 17.9 kW | 24.3 hp |
| Displacement | 1115 cm ³ | 68 in ³ |

- Engine meets U.S. EPA Tier 4 Final/EU Stage V emission standards.

Weight

| | | |
|------------------------------|---------|----------|
| Operating Weight with Cab | 2830 kg | 6,239 lb |
| Operating Weight with Canopy | 2737 kg | 6,034 lb |

Travel System

| | | |
|--------------|-----------|-----------|
| Travel Speed | 2.1 km/h/ | 1.30 mph/ |
| | 3.8 km/h | 2.36 mph |
| Gradeability | 30°/58% | |

Service Refill Capacities

| | | |
|-------------------------|--------|---------|
| Fuel Tank Capacity | 35.2 L | 9.3 gal |
| Hydraulic Tank Capacity | 26.5 L | 7 gal |

Blade

| | | |
|-------------|---------|---------|
| Width | 1570 mm | 61.9 in |
| Height | 290 mm | 11.4 in |
| Dig Depth | 419 mm | 16.5 in |
| Lift Height | 380 mm | 15 in |

Hydraulic System

| | | |
|-----------------------------------|--------------------------|------------------------------|
| Pump Flow @ 2,500 rpm | 89.4 L/min | 23.6 gal |
| Operating Pressure – Equipment | 225 bar | 3,263 psi |
| Operating Pressure – Travel | 225 bar | 3,263 psi |
| Operating Pressure – Swing | 206 bar | 2,987 psi |
| Auxiliary Circuits | | |
| Primary | 52.2 L/min at 225 bar | 13.8 gal/min at 3,263 psi |
| Secondary | 30.8 L/min at 206 bar | 8.1 gal/min at 2,988 psi |
| Maximum Bucket Force | 22.5 kN | 5,058 lbf |
| Maximum Stick Force Standard/Long | 15.4 kN/ 13.6 kN | 3,462 lbf/ 3,057 lbf |

STANDARD EQUIPMENT

- 1-way and 2-way (combined function) auxiliary hydraulic lines
- 300 mm rubber track
- Canopy with Tip Over Protection (TOPS) ISO 12117
- Dozer blade with float function
- Hydraulic oil cooler
- Maintenance free battery
- Retractable seat belt
- Suspension seat, vinyl covered
- Travel pedals
- Working light mounted to boom

OPTIONAL EQUIPMENT

- Additional hydraulic circuit diverted from bucket cylinder
- Auto idle (Standard in North America)
- Bio oil
- Boom check valve
- Cab, radio ready with FOPS ISO 10262 (Level 1), Tip Over Protection (TOPS) ISO 12117, heater/defroster, interior light and windscreen wiper
- Custom color paint
- Ecology drain for engine oil
- Ecology drain for hydraulic tank
- Front screen guard for cab and canopy
- Joystick mounted proportional auxiliary control
- Mechanical quick coupler
- Mirror pack
- Rotating beacon
- Suspension seat, fabric covered
- Thumb ready stick (Standard in North America)

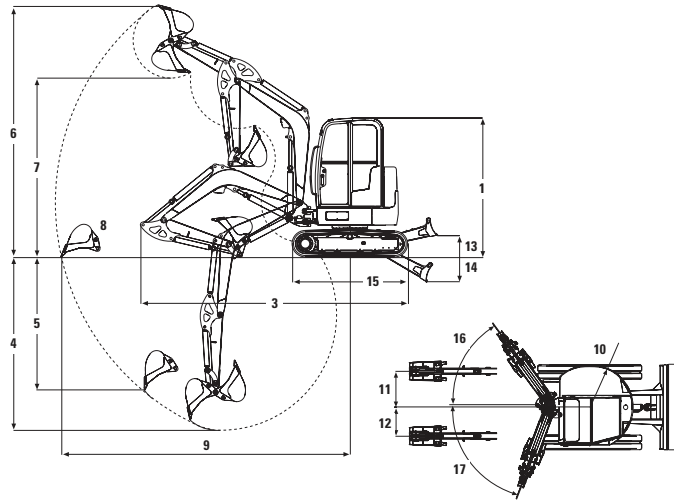


302.7D CR Mini Hydraulic Excavator

Lift Capacity at Ground Level with Cab

| Lift Point Radius | 2.5 m (98.43 in) | | | | 3.0 m (118.11 in) | | | | 3.5 m (137.80 in) | | | | Maximum | | | |
|---------------------------------------|------------------|-------|------|-------|-------------------|-------|------|-----|-------------------|-------|------|-----|------------|-------|------|-----|
| | Blade Down | | | | Blade Down | | | | Blade Down | | | | Blade Down | | | |
| | Front | | Side | | Front | | Side | | Front | | Side | | Front | | Side | |
| | kg | lb | kg | lb | kg | lb | kg | lb | kg | lb | kg | lb | kg | lb | kg | lb |
| Standard Stick | 992* | 2,187 | 456 | 1,005 | 750* | 1,654 | 351 | 774 | 597* | 1,316 | 283 | 623 | 517* | 1,141 | 252 | 556 |
| Long Stick and Optional Counterweight | 985* | 2,172 | 521 | 1,149 | 739* | 1,630 | 402 | 886 | 591* | 1,303 | 322 | 711 | 478* | 1,054 | 267 | 588 |

* The above loads are in compliance with hydraulic excavator lift capacity rating standard ISO 10567:2007 and they do not exceed 87% of hydraulic lifting capacity or 75% of tipping capacity. The excavator bucket weight is not included on this chart.



Dimensions (All dimensions are approximate.)

| | | | |
|----|------------------------------------|--------------|------------------------|
| 1 | Height | 2408 mm | 7 ft 11 in |
| 2 | Width | 1570 mm | 5 ft 2 in |
| 3 | Transport length (arm lowered) | 4255 mm | 14 ft 0 in |
| 4 | Maximum digging depth | 2544/2744 mm | 8 ft 4 in/9 ft 0 in |
| 5 | Maximum vertical dig depth | 1962/2152 mm | 6 ft 5 in/7 ft 1 in |
| 6 | Maximum dig height | 4170/4300 mm | 13 ft 8 in/14 ft 1 in |
| 7 | Maximum dump height | 2840/2970 mm | 9 ft 4 in/9 ft 8 in |
| 8 | Maximum reach | 4613/4805 mm | 15 ft 1 in/15 ft 10 in |
| 9 | Maximum reach at ground level | 4481/4681 mm | 14 ft 8 in/15 ft 5 in |
| 10 | Tail swing radius | 760 mm | 30 in |
| 11 | Track width | 764 mm | 30 in |
| 12 | Minimum front linkage swing radius | 533 mm | 21 in |
| 13 | Maximum dozer lift height | 380 mm | 15 in |
| 14 | Maximum dozer dig depth | 419 mm | 16 in |
| 15 | Length of undercarriage | 2006 mm | 79 in |
| 16 | Boom swing angle (Right) | | 50° |
| 17 | Boom swing angle (Left) | | 75° |

For more complete information on Cat products, dealer services, and industry solutions, visit us on the web at www.cat.com

© 2020 Caterpillar
All rights reserved

Materials and specifications are subject to change without notice. Featured machines in photos may include additional equipment. See your Cat dealer for available options.

CAT, CATERPILLAR, LET'S DO THE WORK, their respective logos, "Caterpillar Corporate Yellow," the "Power Edge" and Cat "Modern Hex" trade dress as well as corporate and product identity used herein, are trademarks of Caterpillar and may not be used without permission.

AEHQ6622-05 (05-2020)
Replaces AEHQ6622-04

