

# MULTI-PROCESSORS

## EXCAVATOR ATTACHMENTS



Excavator  
Wheeled Excavator  
Material Handler

318-390  
318-M322  
M318 MH-MH3026





# FAST, PRODUCTIVE DEMOLITION

## DO MORE EVERY SHIFT

Demolition needs to be done fast and efficiently. Cat® multi-processors equip you to do just that.

Five sizes of multi-processors give you the right size for your machine and job site.

One or more of six interchangeable jaws will efficiently tackle everything you take on.

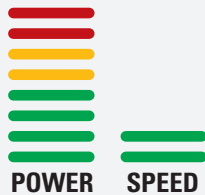




# SPEEDBOOSTER Technology

DELIVERS WHAT YOU NEED WHEN YOU NEED IT

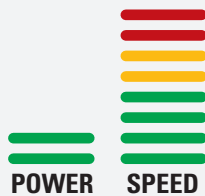
**POWER**



**BOOST**



**SPEED**



**50% FASTER CYCLE TIMES**  
**19% MORE FORCE<sup>1</sup>**

New SpeedBooster technology delivers industry-leading cycle times and power.

**FAST JAW CHANGE**  
**15-MINUTES**

The operator can quickly change jaws alone using simple hand tools.

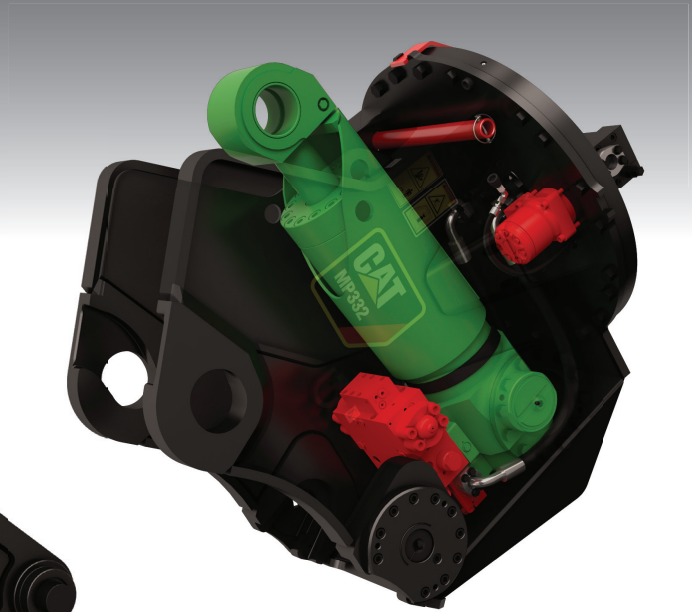
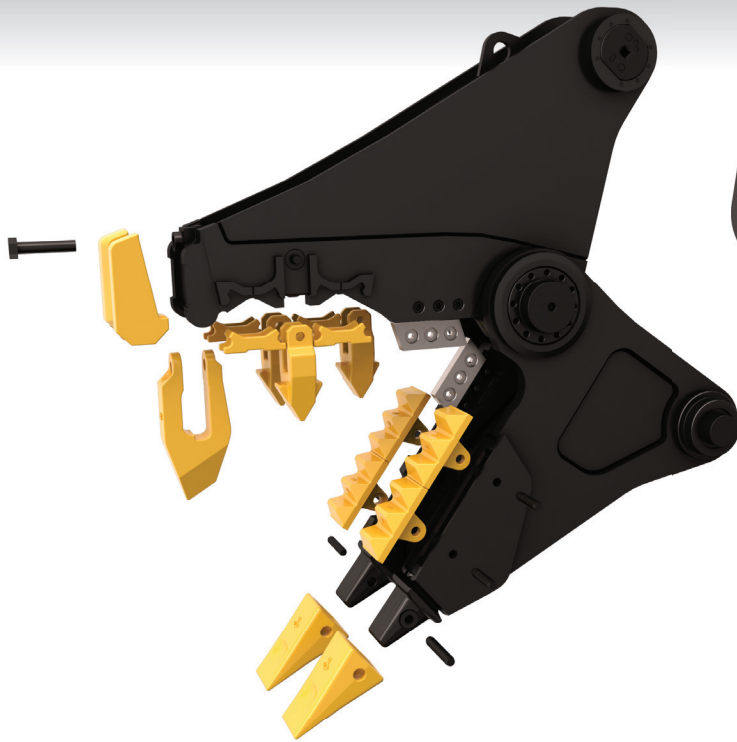
**LOWER MAINTENANCE COST**  
**UP TO 20%<sup>1</sup>**

Key wear parts are easy to change on the job site, eliminating downtime and reducing labor costs

<sup>1</sup>Compared to previous models

# SAVE TIME

WITH EVERY CYCLE



## SPEED AND POWER ON DEMAND

You'll process more every shift. Non-productive cycle time is reduced, and cutting speed and power are enhanced. SpeedBooster intelligently switches between speed mode, power mode, and boost mode to match what you need exactly when you need it.

## BUILT TO ENDURE

Have the confidence to take on the toughest projects; your multi-processor can take it. Cylinder, motor, and hydraulic lines are shielded from damage and armored behind abrasion-resistant steel.

## SWAP AND GO

The reality is, wear components have to be changed. You'll get changes done faster, thanks to easy-to-change wear parts. Pins and screws are all that's needed to replace individual wear components and get back to work. No welding, no delay.

## EASY MAINTENANCE

Besides wear components, only daily greasing is required. Grease points are easy to access from the ground with the multi-processor still mounted on the machine. Get right to work at the start of every shift.

# DEMOLISH CONCRETE

## BRING YOUR PROJECTS DOWN TO SIZE

---

Reduce the concrete to reusable sizes, and separate out recyclable steel. All multi-processor jaws have replaceable tips and blades, swappable in minutes on the job site.



### DEMOLITION JAW

The widest opening, to handle the thickest concrete. A primary demolition powerhouse, sectioning the structure into pieces ready for transport or secondary processing.



### PULVERIZER

In a single step, reduce concrete and separate out the rebar. Save time and labor – the concrete is ready to reuse on site, and the rebar ready to resell.

The MP324 can further reduce concrete size with the secondary pulverizer jaw.



### UNIVERSAL

Cut concrete into manageable chunks and cut rebar and small structural steel. Useful for both primary and secondary work.

# PROCESS STEEL

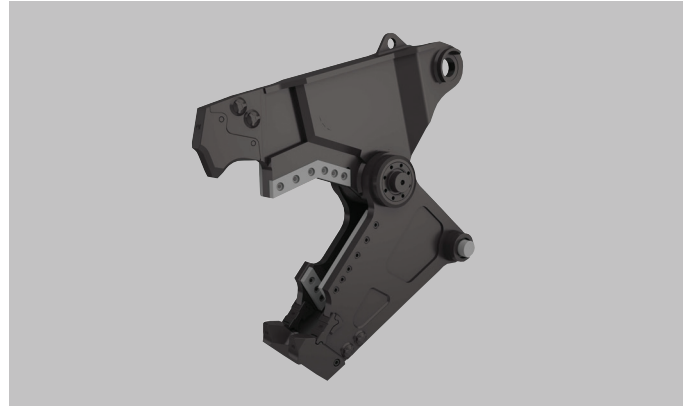
## MAXIMIZE YOUR RETURN ON RECYCLABLES

---

Demolish and resize structural, internal and plate steel. All multi-processor jaws have replaceable tips and blades, swappable in minutes on the job site.

### CONCRETE CUTTER

Precisely cut and crush heavily reinforced concrete and steel structures. Outer teeth crack the concrete, inner shear jaws cut steel beams and bundled rebar.



---

### SHEAR

Modern structures are full of pipe, beams, channel iron, and conduit – the shear jaw is your solution to removing these materials and sizing them for transport and recycling. The piercing tip cuts material wider than jaw depth, using multiple cuts.



---

### TANK SHEAR

Demolish silos, storage tanks, plate steel, ships, and railway carriages. Jaw geometry gives you the right angle to make precise cuts. The square cutting profile leaves the cut material flat, easy to store and transport.



# APPETITE GUIDE

Model	Jaw Type	Concrete Thickness		I Beam		H Beam		Bar Square		Bar Round		Plate		Pipe	
		mm	in	mm	in	mm	in	mm	in	mm	in	mm	in	mm	in
MP318	CC	550	21.7	300	11.8	200	7.9	60	2.4	65	2.6				
	D	600	23.6												
	P	550	21.7												
	S			300	11.8	200	7.9	60	2.4	65	2.6	12	0.5	219 x 8	8.6 x 0.3
	U	450	17.7												
MP324	CC	650	25.6	400	15.7	260	10.2	70	2.8	80	3.1				
	D	700	27.6												
	P	650	25.6												
	PS	600	23.6												
	S	600	23.6	400	15.7	260	10.2	70	2.8	80	3.1	14	0.6	273 x 9	10.75 x 0.4
	TS											20 - 25	0.8 - 1		
	U	650	25.6												
MP332	CC	750	29.5	400	15.7	260	10.2	65	2.6	75	3				
	D	850	33.5												
	P	700	27.6												
	S			450	17.7	280	11	70	2.8	80	3.1			356 x 10	14 x 0.4
	TS											25-30	1 - 1.2		
	U	700	27.6												
MP345	CC	850	33.5	450	17.7	280	11	70	2.8	80	3.1				
	D	950	37.4												
	P	750	29.5												
	S			500	19.7	340	13.4	75	3	85	3.3			406 x 10	16 x 0.4
MP365	CC	1000	39.4	500	19.7	300	11.8	70	2.8	80	3.1				
	D	1100	43.3												
	P	1000	39.4												
	S			600	23.6	400	15.7	80	3.1	95	3.7			406 x 12.5	16 x 0.5

## **LET'S DO THE WORK.™**

For more complete information on Cat products, dealer services and industry solutions, visit us on the web at [www.cat.com](http://www.cat.com)

Materials and specifications are subject to change without notice. Featured machines in photos may include additional equipment. See your Cat dealer for available options.

© 2019 Caterpillar. All Rights Reserved. CAT, CATERPILLAR, LET'S DO THE WORK, their respective logos, "Caterpillar Yellow", the "Power Edge" and Cat "Modern Hex" trade dress as well as corporate and product identity used herein, are trademarks of Caterpillar and may not be used without permission.

[www.cat.com](http://www.cat.com) [www.caterpillar.com](http://www.caterpillar.com)

GEDQ9262-01  
6-2019  
Global

