



# Cat<sup>®</sup> Mulchers

Forestry Mulchers

## Technical Specifications

Not all attachments are available in all regions. Consult your Cat<sup>®</sup> dealer for specific configurations available in your region.

### Table of Contents

<b>Specifications</b> .....	<b>2</b>
<b>Hydraulic Specifications</b> .....	<b>2</b>
<b>Dimensions</b> .....	<b>2</b>
<b>Matching Summary</b> .....	<b>3</b>
<b>Matching – Tracked Excavators</b> .....	<b>5</b>
311F .....	5
313F .....	5
313 .....	5
315F CR .....	6
315 .....	6
316F .....	7
317 .....	7
318F .....	8
320F .....	8
320 .....	9
323F .....	9
323 .....	10
325F CR .....	11
325 .....	11
326F .....	12
326 (Build: 07C) .....	13
326 (Build: 07D) .....	13
330F .....	14
330 .....	14
333 .....	15
335F CR .....	15
335 .....	15
336F .....	16
336F XE .....	16
336 (Build: 07) .....	17
336 (Build: 08) .....	17
340 .....	18
352 .....	18
<b>Matching – Wheeled Excavators</b> .....	<b>19</b>
M314F .....	19
M314 (Build: 07) .....	22
M314 (Build: 07A) .....	24
M315F .....	25
M315 .....	27
M316F .....	28
M316 .....	31
M317F .....	32
M317 .....	33
M318F .....	33
M318 (Build: 05) .....	36
M318 (Build: 07) .....	37
M320F .....	40
M320 (Build: 05) .....	42
M320 (Build: 07) .....	42
M322F .....	44
M322 .....	45
<b>Matching – Material Handlers</b> .....	<b>46</b>
MH3022 (Build: 06) .....	46
MH3022 (Build: 07) .....	48
MH3024 (Build: 06C) .....	51
MH3024 (Build: 07) .....	52
MH3026 (Build: 06C) .....	53
MH3026 (Build: 07) .....	55
<b>Matching – Forestry Excavators</b> .....	<b>56</b>
538 GF .....	56
548 GF .....	56
558 GF .....	56
568 GF .....	57
<b>Teeth Options</b> .....	<b>58</b>

# Mulchers Technical Specifications

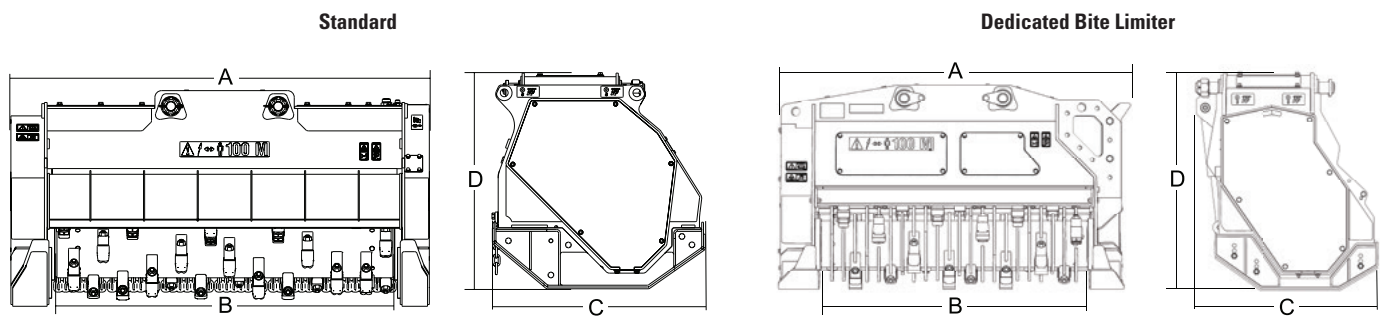
## Specifications

Model	Type	Part No.	Recommended Carrier Weight		Weight		Drum Diameter		Drum Thickness		Fixed Teeth per Drum	Maximum Cutting Diameter	
			Minimum	Maximum								mm	in
			tons	tons	kg	lb	mm	in	mm	in			
HM2615	Standard	575-1209	11	16	1050	2315	218	8.60	24.0	0.95	34	152	6
HM3013	Bite Limiter	605-4704	13	20	1150	2535	218	8.60	24.0	0.95	22	152	6
HM4015	Standard	575-1210	18	26	1550	3417	240	9.44	20.0	0.78	36	305	12
HM4815	Bite Limiter	605-4704	21	26	1600	3527	240	9.44	20.0	0.78	26	305	12
HM5515	Standard	603-9010	27	36	2140	4718	295	11.60	23.5	0.92	34	406	16
HM6015	Bite Limiter	639-8263	27	36	2023	4460	295	11.6	23.5	0.92	28	406	16

## Hydraulic Specifications

Model	Type	Part No.	Optimum Hydraulic Flow Range				Optimum Hydraulic Pressure Range				Drum Speed Range	
			Minimum		Maximum		Minimum		Maximum		Minimum	Maximum
			L	gpm	L	gpm	bar	psi	bar	psi	rpm	rpm
HM2615	Standard	575-1209	98	26	201	53	179	2600	345	5000	2200	2400
HM3013	Bite Limiter	605-4704	121	32	201	53	207	3000	345	5000	2500	2700
HM4015	Standard	575-1210	151	40	201	53	207	3000	345	5000	2000	2200
HM4815	Bite Limiter	605-4704	151	40	201	53	207	3000	345	5000	2300	2500
HM5515	Standard	603-9010	200	53	300	80	207	3000	345	5000	1800	2000
HM6015	Bite Limiter	639-8263	200	53	300	80	207	3000	345	5000	1800	2000

## Dimensions



Model	Type	Part No.	(A) Overall Width		(B) Working Width		(C) Length		(D) Overall Height	
			mm	in	mm	in	mm	in	mm	in
HM2615	Standard	575-1209	1856	73.0	1582	62.0	888	35.0	711	28.0
HM3013	Bite Limiter	605-4704	1656	65.0	1342	53.0	832	33.0	984	39.0
HM4015	Standard	575-1210	1871	74.0	1587	62.5	952	37.5	964	38.0
HM4815	Bite Limiter	605-4704	1971	77.6	1587	62.5	918	36.0	1061	41.8
HM5515	Standard	603-9010	1984	78.0	1584	62.0	1108	44.0	1028	40.5
HM6015	Bite Limiter	639-8263	2034	80.0	1588	62.0	945	37.0	1163	46.0

## Matching Summary

For a complete list of machine, coupler, and mulcher configurations see the detailed matching charts.

Mulcher Model	HM2615	HM3013	HM4015	HM4815	HM5515	HM6015
Type	Standard	Bite Limiter	Standard	Bite Limiter	Standard	Bite Limiter
<b>Small Excavators</b>						
311F	✓					
313F	✓	✓				
313	✓	✓				
315F CR	✓	✓				
315	✓	✓				
316F	✓	✓	✓	✓		
317		✓				
318F			✓	✓		
<b>Medium Excavators</b>						
320F			✓	✓		
320			✓	✓		
323F			✓	✓		
323			✓	✓		
325F CR			✓	✓		
325			✓	✓		
326F			✓	✓	✓	
326			✓	✓	✓	✓
330F					✓	
330					✓	✓
333					✓	✓
335F CR					✓	
335					✓	✓
<b>Large Excavators</b>						
336F					✓	✓
336F XE					✓	
336					✓	✓
340 LRE			✓	✓		
352 LRE			✓	✓		

(continued on next page)

# Mulchers Technical Specifications

## Matching Summary *(continued)*

For a complete list of machine, coupler, and mulcher configurations see the detailed matching charts.

Mulcher Model	HM2615	HM3013	HM4015	HM4815	HM5515	HM6015
Type	Standard	Bite Limiter	Standard	Bite Limiter	Standard	Bite Limiter
<b>Wheeled Excavators</b>						
M314F	✓	✓				
M314	✓	✓				
M315F	✓	✓				
M315	✓					
M316F	✓	✓				
M316	✓	✓				
M317F	✓	✓				
M317	✓	✓				
M318F			✓	✓		
M318			✓	✓		
M320F			✓	✓		
M320			✓	✓		
M322F			✓	✓		
M322			✓	✓		
<b>Material Handlers</b>						
MH3022			✓	✓		
MH3024			✓	✓		
MH3026			✓	✓		
<b>Forestry Excavators</b>						
538 GF			✓	✓		
548 GF			✓	✓		
558 GF					✓	✓
568 GF					✓	✓

## Matching – Tracked Excavators

 Match

 \* Working Range Front Only

 No Match

### 311F

Pin-on

Undercarriage	L
Counterweight	—
Boom Type	Reach
Stick Length	2.80 m (9'2")
HM2615	✓

### 313F

Pin-on

Undercarriage	L			
Counterweight	—			
Boom Type	Reach			
Stick Length	2.50 m (8'2")	2.80 m (9'2")	3.00 m (9'10")	3.00 m TR (9'10")
HM2615	✓	✓	✓	✓
HM3013	✓	✓	✓	✓

Cat Pin Grabber Coupler

Undercarriage	L			
Counterweight	—			
Boom Type	Reach			
Stick Length	2.50 m (8'2")	2.80 m (9'2")	3.00 m (9'10")	3.00 m TR (9'10")
HM2615	✓	✓	✓	✓
HM3013	✓	✓	✓*	✓*

### 313

Pin-on

Undercarriage	—		—	
Counterweight	2.14 mt		2.47 mt	
Boom Type	Reach		Reach	
Stick Length	2.50 m (8'2")	3.00 m (9'10")	2.50 m (8'2")	3.00 m (9'10")
HM2615	✓	✓	✓	✓
HM3013				

Pin-on (continued)

Undercarriage	L			
Counterweight	2.47 mt			
Boom Type	Reach			
Stick Length	2.50 m (8'2")	2.80 m (9'2")	2.80 m TR (9'2")	3.00 m (9'10")
HM2615	✓	✓	✓	✓
HM3013	✓	✓	✓	✓

Cat Pin Grabber Coupler

Undercarriage	—		—	
Counterweight	2.14 mt		2.47 mt	
Boom Type	Reach		Reach	
Stick Length	2.50 m (8'2")	3.00 m (9'10")	2.50 m (8'2")	3.00 m (9'10")
HM2615	✓	✓*	✓	✓
HM3013				

(continued on next page)

# Mulchers Technical Specifications

## Matching – Tracked Excavators *(continued)*

 Match

 \* Working Range Front Only

 No Match

### 313 *(continued)*

#### Cat Pin Grabber Coupler *(continued)*

Undercarriage	L			
Counterweight	2.47 mt			
Boom Type	Reach			
Stick Length	2.50 m (8'2")	2.80 m (9'2")	2.80 m TR (9'2")	3.00 m (9'10")
HM2615	✓	✓	✓	✓
HM3013	✓	✓*	✓*	

### 315F CR

#### Pin-on

Undercarriage	L			
Counterweight	—			
Boom Type	Reach			
Stick Length	2.50 m (8'2")	2.80 m (9'2")	3.00 m (9'10")	3.00 m TR (9'10")
HM2615	✓	✓	✓	✓
HM3013	✓	✓	✓	✓

#### Cat Pin Grabber Coupler

Undercarriage	L			
Counterweight	—			
Boom Type	Reach			
Stick Length	2.50 m (8'2")	2.80 m (9'2")	3.00 m (9'10")	3.00 m TR (9'10")
HM2615	✓	✓	✓	✓
HM3013		✓	✓*	✓*

### 315

#### Pin-on

Undercarriage	—		—	
Counterweight	2.53 mt		3.83 mt	
Boom Type	Reach		Reach	
Stick Length	2.50 m (8'2")	3.00 m (9'10")	2.50 m (8'2")	3.00 m (9'10")
HM2615	✓	✓*	✓	✓*

#### Pin-on *(continued)*

Undercarriage	L			
Counterweight	3.83 mt			
Boom Type	Reach			
Stick Length	2.50 m (8'2")	2.80 m (9'2")	2.80 m TR (9'2")	3.00 m (9'10")
HM2615	✓	✓	✓	✓
HM3013	✓	✓	✓	✓

#### Cat Pin Grabber Coupler

Undercarriage	—	—
Counterweight	2.53 mt	3.83 mt
Boom Type	Reach	Reach
Stick Length	2.50 m (8'2")	2.50 m (8'2")
HM2615	✓*	✓*

*(continued on next page)*

## Matching – Tracked Excavators *(continued)*

 Match

 \* Working Range Front Only

 No Match

### 315 *(continued)*

#### Cat Pin Grabber Coupler *(continued)*

Undercarriage	L			
Counterweight	3.83 mt			
Boom Type	Reach			
Stick Length	2.50 m (8'2")	2.80 m (9'2")	2.80 m TR (9'2")	3.00 m (9'10")
HM2615	✓	✓	✓	✓

### 316F

#### Pin-on

Undercarriage	L		
Counterweight	—		
Boom Type	Reach		
Stick Length	2.60 m (8'6")	2.90 m (9'6")	3.10 m (10'2")
HM2615	✓	✓	✓
HM3013	✓	✓	✓
HM4015	✓	✓	✓
HM4815	✓	✓	✓

#### Cat Pin Grabber Coupler

Undercarriage	L		
Counterweight	—		
Boom Type	Reach		
Stick Length	2.60 m (8'6")	2.90 m (9'6")	3.10 m (10'2")
HM2615	✓	✓	✓
HM3013	✓	✓	✓
HM4015	✓*		
HM4815	✓*		

### 317

#### Pin-on

Undercarriage	L			
Counterweight	3.05 mt			
Boom Type	Reach			
Stick Length	2.60 m (8'6")	2.90 m (9'6")	2.90 m TR (9'6")	3.10 m (10'2")
HM3013	✓	✓	✓	✓
HM4015	✓	✓	✓	✓
HM4815	✓	✓	✓	✓

#### Pin-on *(continued)*

Undercarriage	L			
Counterweight	3.57 mt			
Boom Type	Reach			
Stick Length	2.60 m (8'6")	2.90 m (9'6")	2.90 m TR (9'6")	3.10 m (10'2")
HM3013	✓	✓	✓	✓
HM4015	✓	✓	✓	✓
HM4815	✓	✓	✓	✓

*(continued on next page)*

# Mulchers Technical Specifications

## Matching – Tracked Excavators *(continued)*

 Match

 \* Working Range Front Only

 No Match

### 317 *(continued)*

#### Cat Pin Grabber Coupler

Undercarriage	L			
Counterweight	3.05 mt			
Boom Type	Reach			
Stick Length	2.60 m (8'6")	2.90 m (9'6")	2.90 m TR (9'6")	3.10 m (10'2")
HM3013	✓	✓	✓	✓
HM4015	✓*			
HM4815	✓*			

#### Cat Pin Grabber Coupler *(continued)*

Undercarriage	L			
Counterweight	3.57 mt			
Boom Type	Reach			
Stick Length	2.60 m (8'6")	2.90 m (9'6")	2.90 m TR (9'6")	3.10 m (10'2")
HM3013	✓	✓	✓	✓
HM4015	✓	✓	✓*	✓*
HM4815	✓	✓	✓*	✓*

### 318F

#### Pin-on

Undercarriage	L	
Counterweight	—	
Boom Type	Reach	
Stick Length	2.90 m (9'6")	3.10 m (10'2")
HM4015	✓	✓
HM4815	✓	✓

#### Cat Pin Grabber Coupler

Undercarriage	L	
Counterweight	—	
Boom Type	Reach	
Stick Length	2.90 m (9'6")	3.10 m (10'2")
HM4015	✓	✓*
HM4815	✓	✓*

### 320F

#### Pin-on

Undercarriage	L
Counterweight	—
Boom Type	Reach
Stick Length	2.92 m HD (9'7")
HM4015	✓
HM4815	✓

#### Cat Pin Grabber Coupler

Undercarriage	L
Counterweight	—
Boom Type	Reach
Stick Length	2.92 m HD (9'7")
HM4015	✓
HM4815	✓

*(continued on next page)*



## Matching – Tracked Excavators *(continued)*

 Match

 \* Working Range Front Only

 No Match

### 320

#### Pin-on

Undercarriage	L		L			
Counterweight	3.7 mt		4.2 mt			
Boom Type	Reach HD		Reach		Reach HD	
Stick Length	2.50 m HD (8'2")	2.92 m HD (9'7")	2.50 m (8'2")	2.92 m (9'7")	2.50 m HD (8'2")	2.92 m HD (9'7")
HM4015	✓	✓	✓	✓	✓	✓
HM4815	✓	✓	✓	✓	✓	✓

#### Pin-on *(continued)*

Undercarriage	L		L
Counterweight	4.2 mt		4.7 mt
Boom Type	VA		Reach HD
Stick Length	2.50 m (8'2")	2.92 m (9'7")	2.92 m TR (9'7")
HM4015	✓	✓	✓
HM4815	✓	✓	✓

#### Cat Pin Grabber Coupler

Undercarriage	L		L			
Counterweight	3.7 mt		4.2 mt			
Boom Type	Reach HD		Reach		Reach HD	
Stick Length	2.50 m HD (8'2")	2.92 m HD (9'7")	2.50 m (8'2")	2.92 m (9'7")	2.50 m HD (8'2")	2.92 m HD (9'7")
HM4015	✓	✓	✓	✓	✓	✓
HM4815	✓	✓	✓	✓	✓	✓

#### Cat Pin Grabber Coupler *(continued)*

Undercarriage	L		L
Counterweight	4.2 mt		4.7 mt
Boom Type	VA		Reach HD
Stick Length	2.50 m (8'2")	2.92 m (9'7")	2.92 m TR (9'7")
HM4015	✓	✓	✓
HM4815	✓	✓	✓

### 323F

#### Pin-on

Undercarriage	L			
Counterweight	—			
Boom Type	Reach	Reach HD		
Stick Length	2.92 m HD (9'7")	2.92 m HD (9'7")	2.92 m HD-TR (9'7")	3.86 m HD (12'8")
HM4015	✓	✓	✓	✓
HM4815	✓	✓	✓	✓

#### Cat Pin Grabber Coupler

Undercarriage	L			
Counterweight	—			
Boom Type	Reach	Reach HD		
Stick Length	2.92 m HD (9'7")	2.92 m HD (9'7")	2.92 m HD-TR (9'7")	3.86 m HD (12'8")
HM4015	✓	✓	✓	✓
HM4815	✓	✓	✓	✓

*(continued on next page)*

# Mulchers Technical Specifications

## Matching – Tracked Excavators *(continued)*

 Match

 \* Working Range Front Only

 No Match

**323**
**Pin-on**

Undercarriage	L			L	
Counterweight	4.2 mt			4.2 mt	
Boom Type	Reach			Reach HD	
Stick Length	2.50 m (8'2")	2.92 m (9'7")	3.86 m (12'8")	2.50 m (8'2")	2.50 m HD (8'2")
HM4015	✓	✓	✓	✓	✓
HM4815	✓	✓	✓	✓	✓

**Pin-on *(continued)***

Undercarriage	L			L	
Counterweight	4.2 mt			5.4 mt	
Boom Type	Reach HD			Reach	
Stick Length	2.92 m (9'7")	2.92 m HD (9'7")	2.50 m (8'2")	2.92 m (9'7")	3.86 m (12'8")
HM4015	✓	✓	✓	✓	✓
HM4815	✓	✓	✓	✓	✓

**Pin-on *(continued)***

Undercarriage	L				
Counterweight	5.4 mt				
Boom Type	Reach HD				
Stick Length	2.50 m (8'2")	2.50 m HD (8'2")	2.92 m (9'7")	2.92 m HD (9'7")	2.92 m TR (9'7")
HM4015	✓	✓	✓	✓	✓
HM4815	✓	✓	✓	✓	✓

**Pin-on *(continued)***

Undercarriage	L	
Counterweight	5.4 mt	
Boom Type	VA	
Stick Length	2.50 m (8'2")	2.92 m (9'7")
HM4015	✓	✓
HM4815	✓	✓

**Cat Pin Grabber Coupler**

Undercarriage	L				
Counterweight	4.2 mt				
Boom Type	Reach			Reach HD	
Stick Length	2.50 m (8'2")	2.92 m (9'7")	3.86 m (12'8")	2.50 m (8'2")	2.50 m HD (8'2")
HM4015	✓	✓	✓	✓	✓
HM4815	✓	✓	✓	✓	✓

**Cat Pin Grabber Coupler *(continued)***

Undercarriage	L			L	
Counterweight	4.2 mt			5.4 mt	
Boom Type	Reach HD			Reach	
Stick Length	2.92 m (9'7")	2.92 m HD (9'7")	2.50 m (8'2")	2.92 m (9'7")	3.86 m (12'8")
HM4015	✓	✓	✓	✓	✓
HM4815	✓	✓	✓	✓	✓

*(continued on next page)*

## Matching – Tracked Excavators *(continued)*

 Match

 \* Working Range Front Only

 No Match

### 323 *(continued)*

#### Cat Pin Grabber Coupler *(continued)*

Undercarriage	L				
Counterweight	5.4 mt				
Boom Type	Reach HD				
Stick Length	2.50 m (8'2")	2.50 m HD (8'2")	2.92 m (9'7")	2.92 m HD (9'7")	2.92 m TR (9'7")
HM4015	✓	✓	✓	✓	✓
HM4815	✓	✓	✓	✓	✓

#### Cat Pin Grabber Coupler *(continued)*

Undercarriage	L	
Counterweight	5.4 mt	
Boom Type	VA	
Stick Length	2.50 m (8'2")	2.92 m (9'7")
HM4015	✓	✓
HM4815	✓	✓

### 325F CR

#### Pin-on

Undercarriage	L
Counterweight	—
Boom Type	Reach
Stick Length	2.92 m HD (9'7")
HM4015	✓
HM4815	✓

#### Cat Pin Grabber Coupler

Undercarriage	L
Counterweight	—
Boom Type	Reach
Stick Length	2.92 m HD (9'7")
HM4015	✓
HM4815	✓

### 325

#### Pin-on

Undercarriage	L		L		
Counterweight	6.7 mt		8.3 mt		
Boom Type	Reach		VA	Reach	
Stick Length	2.92 m (9'7")	2.92 m TR (9'7")	2.92 m (9'7")	2.92 m (9'7")	2.92 m TR (9'7")
HM4015	✓	✓	✓	✓	✓
HM4815	✓	✓	✓	✓	✓

#### Pin-on *(continued)*

Undercarriage	L with Blade (up)		
Counterweight	4.9 mt		
Boom Type	Reach		VA
Stick Length	2.92 m (9'7")	2.92 m TR (9'7")	2.92 m (9'7")
HM4015	✓	✓	✓
HM4815	✓	✓	✓

*(continued on next page)*

# Mulchers Technical Specifications

## Matching – Tracked Excavators *(continued)*

 Match

 \* Working Range Front Only

 No Match

### 325 *(continued)*

#### Cat Pin Grabber Coupler

Undercarriage	L			L	
Counterweight	6.7 mt			8.3 mt	
Boom Type	Reach		VA	Reach	
Stick Length	2.92 m (9'7")	2.92 m TR (9'7")	2.92 m (9'7")	2.92 m (9'7")	2.92 m TR (9'7")
HM4015	✓	✓	✓	✓	✓
HM4815	✓		✓	✓	✓

#### Cat Pin Grabber Coupler *(continued)*

Undercarriage	L with Blade (up)		
Counterweight	4.9 mt		
Boom Type	Reach		VA
Stick Length	2.92 m (9'7")	2.92 m TR (9'7")	2.92 m (9'7")
HM4015	✓	✓	✓
HM4815	✓	✓	✓

### 326F

#### Pin-on

Undercarriage	L		
Counterweight	—		
Boom Type	Reach HD		
Stick Length	2.50 m HD (8'2")	2.95 m HD (9'8")	3.60 m HD (11'10")
HM4015	✓	✓	✓
HM4815	✓	✓	✓
HM5515	✓	✓	✓

#### Cat Pin Grabber Coupler

Undercarriage	L		
Counterweight	—		
Boom Type	Reach HD		
Stick Length	2.50 m HD (8'2")	2.95 m HD (9'8")	3.60 m HD (11'10")
HM4015	✓	✓	✓
HM4815	✓	✓	✓
HM5515	✓	✓	✓

*(continued on next page)*

# Mulchers Technical Specifications

## Matching – Tracked Excavators *(continued)*

 Match

 \* Working Range Front Only

 No Match

### 326 (Build: 07C)

Pin-on

Undercarriage	L			
Counterweight	4.6 mt			
Boom Type	Reach HD	Reach		
Stick Length	2.95 m HD (9'8")	2.50 m (8'2")	2.95 m (9'8")	3.60 m (11'10")
HM4015	✓	✓	✓	✓
HM4815	✓	✓	✓	✓
HM5515	✓	✓	✓	✓
HM6015	✓	✓	✓	✓

### Cat Pin Grabber Coupler

Undercarriage	L			
Counterweight	4.6 mt			
Boom Type	Reach			Reach HD
Stick Length	2.50 m (8'2")	2.95 m (9'8")	3.60 m (11'10")	2.95 m HD (9'8")
HM4015	✓	✓	✓	✓
HM4815	✓	✓	✓	✓
HM5515	✓	✓	✓	✓
HM6015	✓	✓	✓	✓

### 326 (Build: 07D)

Pin-on

Undercarriage	L				
Counterweight	4.6 mt				
Boom Type	Reach			Reach HD	VA
Stick Length	2.50 m (8'2")	2.95 m (9'8")	3.60 m (11'10")	2.95 m HD (9'8")	2.95 m (9'8")
HM4015	✓	✓	✓	✓	✓
HM4815	✓	✓	✓	✓	✓
HM5515	✓	✓	✓	✓	✓
HM6015	✓	✓	✓	✓	✓

### Pin-on *(continued)*

Undercarriage	LN	
Counterweight	4.6 mt	
Boom Type	VA	
Stick Length	2.50 m (8'2")	2.95 m (9'8")
HM4015	✓	✓
HM4815	✓	✓
HM5515	✓	✓
HM6015	✓	✓

*(continued on next page)*

# Mulchers Technical Specifications

## Matching – Tracked Excavators (continued)

 Match

 \* Working Range Front Only

 No Match

### 326 (Build: 07D) (continued)

#### Cat Pin Grabber Coupler

Undercarriage	L				
Counterweight	4.6 mt				
Boom Type	Reach			Reach HD	VA
Stick Length	2.50 m (8'2")	2.95 m (9'8")	3.60 m (11'10")	2.95 m HD (9'8")	2.95 m (9'8")
HM4015	✓	✓	✓	✓	✓
HM4815	✓	✓	✓	✓	✓
HM5515	✓	✓	✓	✓	✓
HM6015	✓	✓	✓	✓	✓

#### Cat Pin Grabber Coupler (continued)

Undercarriage	LN	
Counterweight	4.6 mt	
Boom Type	VA	
Stick Length	2.50 m (8'2")	2.95 m (9'8")
HM4015	✓	✓
HM4815	✓	✓
HM5515	✓	✓*
HM6015	✓	✓

### 330F

#### Pin-on

Undercarriage	L	
Counterweight	—	
Boom Type	Reach HD	
Stick Length	3.20 m HD (10'6")	3.75 m HD (12'4")
HM5515	✓	✓

#### Cat Pin Grabber Coupler

Undercarriage	L	
Counterweight	—	
Boom Type	Reach HD	
Stick Length	3.20 m HD (10'6")	3.75 m HD (12'4")
HM5515	✓	✓

### 330

#### Pin-on

Undercarriage	L					
Counterweight	6.7 mt					
Boom Type	Reach			Reach HD		ME
Stick Length	2.65 m (8'8")	3.20 m (10'6")	3.75 m (12'4")	2.65 m HD (8'8")	3.20 m HD (10'6")	2.50 m (8'2")
HM5515	✓	✓	✓	✓	✓	✓
HM6015	✓	✓	✓	✓	✓	

#### Cat Pin Grabber Coupler

Undercarriage	L					
Counterweight	6.7 mt					
Boom Type	Reach			Reach HD		ME
Stick Length	2.65 m (8'8")	3.20 m (10'6")	3.75 m (12'4")	2.65 m HD (8'8")	3.20 m HD (10'6")	2.50 m (8'2")
HM5515	✓	✓	✓	✓	✓	✓
HM6015	✓	✓	✓	✓	✓	

(continued on next page)

## Matching – Tracked Excavators *(continued)*

 Match

 \* Working Range Front Only

 No Match

### 333

#### Pin-on

Undercarriage	L		
Counterweight	7.7 mt		
Boom Type	Reach HD		ME
Stick Length	2.50 m (8'2")	2.80 m HD (9'2")	3.20 m HD (10'6")
HM5515	✓	✓	✓
HM6015	✓	✓	

#### Cat Pin Grabber Coupler

Undercarriage	L		
Counterweight	7.7 mt		
Boom Type	Reach HD		ME
Stick Length	2.50 m (8'2")	2.80 m HD (9'2")	3.20 m HD (10'6")
HM5515	✓	✓	✓
HM6015	✓	✓	

### 335F CR

#### Pin-on

Undercarriage	L		
Counterweight	—		
Boom Type	Reach HD		
Stick Length	2.65 m HD (8'8")	3.20 m HD (10'6")	3.75 m HD (12'4")
HM5515	✓	✓	✓

#### Cat Pin Grabber Coupler

Undercarriage	L		
Counterweight	—		
Boom Type	Reach HD		
Stick Length	2.65 m HD (8'8")	3.20 m HD (10'6")	3.75 m HD (12'4")
HM5515	✓	✓	✓

### 335

#### Pin-on

Undercarriage	L		L with Blade	
Counterweight	7.7 mt		5.0 mt	
Boom Type	Reach		Reach	
Stick Length	3.20 m (10'6")	3.75 m (12'4")	3.20 m (10'6")	3.75 m (12'4")
HM5515	✓	✓	✓	✓
HM6015	✓	✓	✓	✓

#### Cat Pin Grabber Coupler

Undercarriage	L		L with Blade	
Counterweight	7.7 mt		5.0 mt	
Boom Type	Reach		Reach	
Stick Length	3.20 m (10'6")	3.75 m (12'4")	3.20 m (10'6")	3.75 m (12'4")
HM5515	✓	✓	✓	✓
HM6015	✓	✓	✓	✓

(continued on next page)

# Mulchers Technical Specifications

## Matching – Tracked Excavators *(continued)*

 Match

 \* Working Range Front Only

 No Match

### 336F

#### Pin-on

Undercarriage	L		
Counterweight	6.0 mt		
Boom Type	Reach HD		
Stick Length	2.80 m HD (9'2")	3.20 m HD (10'6")	3.90 m HD (12'10")
HM5515	✓	✓	✓

#### Pin-on *(continued)*

Undercarriage	L			
Counterweight	7.0 mt			
Boom Type	Reach HD		Reach ES	
Stick Length	3.20 m HD (10'6")	3.90 m HD (12'10")	3.20 m ES (10'6")	3.90 m ES (12'10")
HM5515	✓	✓	✓	✓

#### Cat Pin Grabber Coupler

Undercarriage	L		
Counterweight	6.0 mt		
Boom Type	Reach HD		
Stick Length	2.80 m HD (9'2")	3.20 m HD (10'6")	3.90 m HD (12'10")
HM5515	✓	✓	✓

#### Cat Pin Grabber Coupler *(continued)*

Undercarriage	L			
Counterweight	7.0 mt			
Boom Type	Reach HD		Reach ES	
Stick Length	3.20 m HD (10'6")	3.90 m HD (12'10")	3.20 m ES (10'6")	3.90 m ES (12'10")
HM5515	✓	✓	✓	✓

### 336F XE

#### Pin-on

Undercarriage	L		
Counterweight	5.05 mt		
Boom Type	Reach HD		
Stick Length	2.80 m HD (9'2")	3.20 m HD (10'6")	3.90 m HD (12'10")
HM5515	✓	✓	✓

#### Pin-on *(continued)*

Undercarriage	L				
Counterweight	6.05 mt				
Boom Type	Reach HD			Reach ES	
Stick Length	2.80 m HD (9'2")	3.20 m HD (10'6")	3.90 m HD (12'10")	3.20 m ES (10'6")	3.90 m ES (12'10")
HM5515	✓	✓	✓	✓	✓

#### Cat Pin Grabber Coupler

Undercarriage	L		
Counterweight	5.05 mt		
Boom Type	Reach HD		
Stick Length	2.80 m HD (9'2")	3.20 m HD (10'6")	3.90 m HD (12'10")
HM5515	✓	✓	✓

*(continued on next page)*



# Mulchers Technical Specifications

## Matching – Tracked Excavators *(continued)*

 Match

 \* Working Range Front Only

 No Match

### 336F XE *(continued)*

#### Cat Pin Grabber Coupler *(continued)*

Undercarriage	L				
Counterweight	6.05 mt				
Boom Type	Reach HD			Reach ES	
Stick Length	2.80 m HD (9'2")	3.20 m HD (10'6")	3.90 m HD (12'10")	3.20 m ES (10'6")	3.90 m ES (12'10")
HM5515	✓	✓	✓	✓	✓

### 336 (Build: 07)

#### Pin-on

Undercarriage	L				
Counterweight	6.8 mt				
Boom Type	Reach			Reach HD	
Stick Length	2.80 m (9'2")	3.20 m (10'6")	3.90 m (12'10")	2.80 m HD (9'2")	3.20 m HD (10'6")
HM5515	✓	✓	✓	✓	✓
HM6015	✓	✓	✓	✓	✓

#### Pin-on *(continued)*

Undercarriage	L				
Counterweight	7.5 mt				
Boom Type	Reach			Reach HD	
Stick Length	2.80 m (9'2")	3.20 m (10'6")	3.90 m (12'10")	3.20 m HD (10'6")	3.90 m HD (12'10")
HM5515	✓	✓	✓	✓	✓
HM6015	✓	✓	✓	✓	✓

#### Cat Pin Grabber Coupler

Undercarriage	L				
Counterweight	6.8 mt				
Boom Type	Reach			Reach HD	
Stick Length	2.80 m (9'2")	3.20 m (10'6")	3.90 m (12'10")	2.80 m HD (9'2")	3.20 m HD (10'6")
HM5515	✓	✓	✓	✓	✓
HM6015	✓	✓	✓	✓	✓

#### Cat Pin Grabber Coupler *(continued)*

Undercarriage	L				
Counterweight	7.5 mt				
Boom Type	Reach			Reach HD	
Stick Length	2.80 m (9'2")	3.20 m (10'6")	3.90 m (12'10")	3.20 m HD (10'6")	3.90 m HD (12'10")
HM5515	✓	✓	✓	✓	✓
HM6015	✓	✓	✓	✓	✓

### 336 (Build: 08)

#### Pin-on

Undercarriage	L					
Counterweight	6.8 mt					
Boom Type	Reach			Reach HD		
Stick Length	2.80 m (9'2")	3.20 m (10'6")	3.90 m (12'10")	2.80 m HD (9'2")	3.20 m HD (10'6")	3.90 m HD (12'10")
HM5515	✓	✓	✓	✓	✓	✓
HM6015	✓	✓	✓	✓	✓	✓

#### Pin-on *(continued)*

Undercarriage	LW					
Counterweight	6.8 mt					
Boom Type	Reach			Reach HD		
Stick Length	2.80 m (9'2")	3.20 m (10'6")	3.90 m (12'10")	2.80 m HD (9'2")	3.20 m HD (10'6")	3.90 m HD (12'10")
HM5515	✓	✓	✓	✓	✓	✓
HM6015	✓	✓	✓	✓	✓	✓

*(continued on next page)*

# Mulchers Technical Specifications

## Matching – Tracked Excavators *(continued)*

 Match

 \* Working Range Front Only

 No Match

### 336 (Build: 08) *(continued)*

#### Cat Pin Grabber Coupler

Undercarriage	L					
Counterweight	6.8 mt					
Boom Type	Reach			Reach HD		
Stick Length	2.80 m (9'2")	3.20 m (10'6")	3.90 m (12'10")	2.80 m HD (9'2")	3.20 m HD (10'6")	3.90 m HD (12'10")
HM5515	✓	✓	✓	✓	✓	✓
HM6015	✓	✓	✓	✓	✓	✓

#### Cat Pin Grabber Coupler *(continued)*

Undercarriage	LW					
Counterweight	6.8 mt					
Boom Type	Reach			Reach HD		
Stick Length	2.80 m (9'2")	3.20 m (10'6")	3.90 m (12'10")	2.80 m HD (9'2")	3.20 m HD (10'6")	3.90 m HD (12'10")
HM5515	✓	✓	✓	✓	✓	✓
HM6015	✓	✓	✓	✓	✓	✓

### 340

#### Pin-on

Undercarriage	HD High Wide
Counterweight	10.4 mt
Boom Type	LRE
Stick Length	LRE
HM4015	✓
HM4815	✓

#### Cat Pin Grabber Coupler

Undercarriage	HD High Wide
Counterweight	10.4 mt
Boom Type	LRE
Stick Length	LRE
HM4015	✓*
HM4815	✓

LRE – Long Reach Excavation

### 352

#### Pin-on

Undercarriage	H-VG
Counterweight	12.0 mt
Boom Type	LRE
Stick Length	LRE
HM4015	✓
HM4815	✓

#### Cat Pin Grabber Coupler

Undercarriage	H-VG
Counterweight	12.0 mt
Boom Type	LRE
Stick Length	LRE
HM4015	✓
HM4815	✓

LRE – Long Reach Excavation

## Matching – Wheeled Excavators

 Match

 \* Working Range Front Only

 No Match

### M314F

#### Pin-on

Undercarriage	Front and Rear Outriggers					
Counterweight	2.8 mt					
Boom Type	1 PC (short)			1 PC		
Stick Length	2.00 m (6'7")	2.30 m (7'7")	2.60 m (8'6")	2.00 m (6'7")	2.30 m (7'7")	2.60 m (8'6")
HM2615	✓	✓	✓	✓	✓	✓
HM3013	✓	✓	✓	✓	✓	✓

#### Pin-on (continued)

Undercarriage	Front and Rear Outriggers					
Counterweight	2.8 mt			3.3 mt		
Boom Type	VA			1 PC (short)		
Stick Length	2.00 m (6'7")	2.30 m (7'7")	2.60 m (8'6")	2.00 m (6'7")	2.30 m (7'7")	2.60 m (8'6")
HM2615	✓	✓	✓	✓	✓	✓
HM3013	✓	✓	✓	✓	✓	✓

#### Pin-on (continued)

Undercarriage	Front and Rear Outriggers					
Counterweight	3.3 mt					
Boom Type	1 PC			VA		
Stick Length	2.00 m (6'7")	2.30 m (7'7")	2.60 m (8'6")	2.00 m (6'7")	2.30 m (7'7")	2.60 m (8'6")
HM2615	✓	✓	✓	✓	✓	✓
HM3013	✓	✓	✓	✓	✓	✓

#### Pin-on (continued)

Undercarriage	Front Blade; Rear Outriggers					
Counterweight	2.8 mt					
Boom Type	1 PC (short)			1 PC		
Stick Length	2.00 m (6'7")	2.30 m (7'7")	2.60 m (8'6")	2.00 m (6'7")	2.30 m (7'7")	2.60 m (8'6")
HM2615	✓	✓	✓	✓	✓	✓
HM3013	✓	✓	✓	✓	✓	✓

#### Pin-on (continued)

Undercarriage	Front Blade; Rear Outriggers					
Counterweight	2.8 mt			3.3 mt		
Boom Type	VA			1 PC (short)		
Stick Length	2.00 m (6'7")	2.30 m (7'7")	2.60 m (8'6")	2.00 m (6'7")	2.30 m (7'7")	2.60 m (8'6")
HM2615	✓	✓	✓	✓	✓	✓
HM3013	✓	✓	✓	✓	✓	✓

#### Pin-on (continued)

Undercarriage	Front Blade; Rear Outriggers					
Counterweight	3.3 mt					
Boom Type	1 PC			VA		
Stick Length	2.00 m (6'7")	2.30 m (7'7")	2.60 m (8'6")	2.00 m (6'7")	2.30 m (7'7")	2.60 m (8'6")
HM2615	✓	✓	✓	✓	✓	✓
HM3013	✓	✓	✓	✓	✓	✓

(continued on next page)

# Mulchers Technical Specifications

## Matching – Wheeled Excavators *(continued)*

 Match

 \* Working Range Front Only

 No Match

### M314F *(continued)*

#### Pin-on *(continued)*

Undercarriage	Rear Blade					
Counterweight	2.8 mt					
Boom Type	1 PC (short)			1 PC		
Stick Length	2.00 m (6'7")	2.30 m (7'7")	2.60 m (8'6")	2.00 m (6'7")	2.30 m (7'7")	2.60 m (8'6")
HM2615	✓	✓	✓	✓	✓	✓
HM3013	✓	✓	✓	✓	✓	✓

#### Pin-on *(continued)*

Undercarriage	Rear Blade					
Counterweight	2.8 mt			3.3 mt		
Boom Type	VA			1 PC (short)		
Stick Length	2.00 m (6'7")	2.30 m (7'7")	2.60 m (8'6")	2.00 m (6'7")	2.30 m (7'7")	2.60 m (8'6")
HM2615	✓	✓	✓*	✓	✓	✓
HM3013	✓	✓*		✓	✓	✓

#### Pin-on *(continued)*

Undercarriage	Rear Blade					
Counterweight	3.3 mt					
Boom Type	1 PC			VA		
Stick Length	2.00 m (6'7")	2.30 m (7'7")	2.60 m (8'6")	2.00 m (6'7")	2.30 m (7'7")	2.60 m (8'6")
HM2615	✓	✓	✓	✓	✓	✓
HM3013	✓	✓	✓	✓	✓	✓

### Cat Pin Grabber Coupler

Undercarriage	Front and Rear Outriggers					
Counterweight	2.8 mt					
Boom Type	1 PC (short)			1 PC		
Stick Length	2.00 m (6'7")	2.30 m (7'7")	2.60 m (8'6")	2.00 m (6'7")	2.30 m (7'7")	2.60 m (8'6")
HM2615	✓	✓	✓	✓	✓	✓
HM3013	✓	✓	✓	✓	✓	✓

### Cat Pin Grabber Coupler *(continued)*

Undercarriage	Front and Rear Outriggers					
Counterweight	2.8 mt			3.3 mt		
Boom Type	VA			1 PC (short)		
Stick Length	2.00 m (6'7")	2.30 m (7'7")	2.60 m (8'6")	2.00 m (6'7")	2.30 m (7'7")	2.60 m (8'6")
HM2615	✓	✓	✓	✓	✓	✓
HM3013	✓	✓	✓	✓	✓	✓

### Cat Pin Grabber Coupler *(continued)*

Undercarriage	Front and Rear Outriggers					
Counterweight	3.3 mt					
Boom Type	1 PC			VA		
Stick Length	2.00 m (6'7")	2.30 m (7'7")	2.60 m (8'6")	2.00 m (6'7")	2.30 m (7'7")	2.60 m (8'6")
HM2615	✓	✓	✓	✓	✓	✓
HM3013	✓	✓	✓	✓	✓	✓

*(continued on next page)*

## Matching – Wheeled Excavators *(continued)*

 Match

 \* Working Range Front Only

 No Match

### M314F *(continued)*

#### Cat Pin Grabber Coupler *(continued)*

Undercarriage	Front Blade; Rear Outriggers					
Counterweight	2.8 mt					
Boom Type	1 PC (short)			1 PC		
Stick Length	2.00 m (6'7")	2.30 m (7'7")	2.60 m (8'6")	2.00 m (6'7")	2.30 m (7'7")	2.60 m (8'6")
HM2615	✓	✓	✓	✓	✓	✓
HM3013	✓	✓	✓	✓	✓	✓

#### Cat Pin Grabber Coupler *(continued)*

Undercarriage	Front Blade; Rear Outriggers					
Counterweight	2.8 mt			3.3 mt		
Boom Type	VA			1 PC (short)		
Stick Length	2.00 m (6'7")	2.30 m (7'7")	2.60 m (8'6")	2.00 m (6'7")	2.30 m (7'7")	2.60 m (8'6")
HM2615	✓	✓	✓	✓	✓	✓
HM3013	✓	✓	✓	✓	✓	✓

#### Cat Pin Grabber Coupler *(continued)*

Undercarriage	Front Blade; Rear Outriggers					
Counterweight	3.3 mt					
Boom Type	1 PC			VA		
Stick Length	2.00 m (6'7")	2.30 m (7'7")	2.60 m (8'6")	2.00 m (6'7")	2.30 m (7'7")	2.60 m (8'6")
HM2615	✓	✓	✓	✓	✓	✓
HM3013	✓	✓	✓	✓	✓	✓

#### Cat Pin Grabber Coupler *(continued)*

Undercarriage	Rear Blade					
Counterweight	2.8 mt					
Boom Type	1 PC (short)			1 PC		VA
Stick Length	2.00 m (6'7")	2.30 m (7'7")	2.60 m (8'6")	2.00 m (6'7")	2.30 m (7'7")	2.00 m (6'7")
HM2615	✓	✓	✓	✓	✓*	✓*
HM3013	✓	✓*				

#### Cat Pin Grabber Coupler *(continued)*

Undercarriage	Rear Blade					
Counterweight	3.3 mt					
Boom Type	1 PC (short)			1 PC		
Stick Length	2.00 m (6'7")	2.30 m (7'7")	2.60 m (8'6")	2.00 m (6'7")	2.30 m (7'7")	2.60 m (8'6")
HM2615	✓	✓	✓	✓	✓	✓
HM3013	✓	✓	✓	✓	✓*	

#### Cat Pin Grabber Coupler *(continued)*

Undercarriage	Rear Blade		
Counterweight	3.3 mt		
Boom Type	VA		
Stick Length	2.00 m (6'7")	2.30 m (7'7")	2.60 m (8'6")
HM2615	✓	✓	✓*
HM3013	✓*		

*(continued on next page)*

# Mulchers Technical Specifications

## Matching – Wheeled Excavators *(continued)*

 Match

 \* Working Range Front Only

 No Match

### M314 (Build: 07)

Pin-on

Undercarriage	Front and Rear Outriggers					
Counterweight	2.6 mt				3.1 mt	
Boom Type	1 PC		VA		1 PC	
Stick Length	2.20 m (7'3")	2.50 m (8'2")	2.20 m (7'3")	2.50 m (8'2")	2.20 m (7'3")	2.50 m (8'2")
HM3013	✓	✓	✓	✓	✓	✓

Pin-on *(continued)*

Undercarriage	Front and Rear Outriggers					
Counterweight	3.1 mt					
Boom Type	VA		1 PC		VA	
Stick Length	2.20 m (7'3")	2.50 m (8'2")	2.20 m (7'3")	2.50 m (8'2")	2.20 m (7'3")	2.50 m (8'2")
HM2615			✓	✓	✓	✓
HM3013	✓	✓				

Pin-on *(continued)*

Undercarriage	Front Blade; Rear Outriggers					
Counterweight	2.6 mt				3.1 mt	
Boom Type	1 PC		VA		1 PC	
Stick Length	2.20 m (7'3")	2.50 m (8'2")	2.20 m (7'3")	2.50 m (8'2")	2.20 m (7'3")	2.50 m (8'2")
HM3013	✓	✓	✓	✓	✓	✓

Pin-on *(continued)*

Undercarriage	Front Blade; Rear Outriggers					
Counterweight	3.1 mt			3.3 mt		
Boom Type	VA		1 PC		VA	
Stick Length	2.20 m (7'3")	2.50 m (8'2")	2.20 m (7'3")	2.50 m (8'2")	2.20 m (7'3")	2.50 m (8'2")
HM2615			✓	✓	✓	✓
HM3013	✓	✓				

Pin-on *(continued)*

Undercarriage	Front Outriggers; Rear Blade					
Counterweight	2.6 mt				3.1 mt	
Boom Type	1 PC		VA		1 PC	
Stick Length	2.20 m (7'3")	2.50 m (8'2")	2.20 m (7'3")	2.50 m (8'2")	2.20 m (7'3")	2.50 m (8'2")
HM3013	✓	✓	✓	✓	✓	✓

Pin-on *(continued)*

Undercarriage	Front Outriggers; Rear Blade					
Counterweight	3.1 mt			3.3 mt		
Boom Type	VA		1 PC		VA	
Stick Length	2.20 m (7'3")	2.50 m (8'2")	2.20 m (7'3")	2.50 m (8'2")	2.20 m (7'3")	2.50 m (8'2")
HM2615			✓	✓	✓	✓
HM3013	✓	✓				

*(continued on next page)*

# Mulchers Technical Specifications

## Matching – Wheeled Excavators *(continued)*

 Match

 \* Working Range Front Only

 No Match

### M314 (Build: 07) *(continued)*

#### Pin-on *(continued)*

Undercarriage	Rear Blade					
Counterweight	2.6 mt				3.1 mt	
Boom Type	1 PC		VA		1 PC	
Stick Length	2.20 m (7'3")	2.50 m (8'2")	2.20 m (7'3")	2.50 m (8'2")	2.20 m (7'3")	2.50 m (8'2")
HM3013	✓	✓	✓	✓*	✓	✓

#### Pin-on *(continued)*

Undercarriage	Rear Blade					
Counterweight	3.1 mt			3.3 mt		
Boom Type	VA		1 PC		VA	
Stick Length	2.20 m (7'3")	2.50 m (8'2")	2.20 m (7'3")	2.50 m (8'2")	2.20 m (7'3")	2.50 m (8'2")
HM2615			✓	✓	✓	✓
HM3013	✓	✓				

#### Cat Pin Grabber Coupler

Undercarriage	Front and Rear Outriggers					
Counterweight	2.6 mt				3.1 mt	
Boom Type	1 PC		VA		1 PC	
Stick Length	2.20 m (7'3")	2.50 m (8'2")	2.20 m (7'3")	2.50 m (8'2")	2.20 m (7'3")	2.50 m (8'2")
HM3013	✓	✓	✓	✓	✓	✓

#### Cat Pin Grabber Coupler *(continued)*

Undercarriage	Front and Rear Outriggers					
Counterweight	3.1 mt			3.3 mt		
Boom Type	VA		1 PC		VA	
Stick Length	2.20 m (7'3")	2.50 m (8'2")	2.20 m (7'3")	2.50 m (8'2")	2.20 m (7'3")	2.50 m (8'2")
HM2615			✓	✓	✓	✓
HM3013	✓	✓				

#### Cat Pin Grabber Coupler *(continued)*

Undercarriage	Front Blade; Rear Outriggers					
Counterweight	2.6 mt				3.1 mt	
Boom Type	1 PC		VA		1 PC	
Stick Length	2.20 m (7'3")	2.50 m (8'2")	2.20 m (7'3")	2.50 m (8'2")	2.20 m (7'3")	2.50 m (8'2")
HM3013	✓	✓	✓	✓	✓	✓

#### Cat Pin Grabber Coupler *(continued)*

Undercarriage	Front Blade; Rear Outriggers					
Counterweight	3.1 mt			3.3 mt		
Boom Type	VA		1 PC		VA	
Stick Length	2.20 m (7'3")	2.50 m (8'2")	2.20 m (7'3")	2.50 m (8'2")	2.20 m (7'3")	2.50 m (8'2")
HM2615			✓	✓	✓	✓
HM3013	✓	✓				

*(continued on next page)*

# Mulchers Technical Specifications

## Matching – Wheeled Excavators (continued)

 Match

 \* Working Range Front Only

 No Match

### M314 (Build: 07) (continued)

#### Cat Pin Grabber Coupler (continued)

Undercarriage	Front Outriggers; Rear Blade					
Counterweight	2.6 mt				3.1 mt	
Boom Type	1 PC		VA		1 PC	
Stick Length	2.20 m (7'3")	2.50 m (8'2")	2.20 m (7'3")	2.50 m (8'2")	2.20 m (7'3")	2.50 m (8'2")
HM3013	✓	✓	✓	✓	✓	✓

#### Cat Pin Grabber Coupler (continued)

Undercarriage	Front Outriggers; Rear Blade					
Counterweight	3.1 mt			3.3 mt		
Boom Type	VA		1 PC		VA	
Stick Length	2.20 m (7'3")	2.50 m (8'2")	2.20 m (7'3")	2.50 m (8'2")	2.20 m (7'3")	2.50 m (8'2")
HM2615			✓	✓	✓	✓
HM3013	✓	✓				

#### Cat Pin Grabber Coupler (continued)

Undercarriage	Rear Blade					
Counterweight	2.6 mt			3.1 mt		
Boom Type	1 PC		1 PC		VA	
Stick Length	2.20 m (7'3")	2.50 m (8'2")	2.20 m (7'3")	2.50 m (8'2")	2.20 m (7'3")	
HM3013	✓*	✓*	✓	✓	✓*	

#### Cat Pin Grabber Coupler (continued)

Undercarriage	Rear Blade			
Counterweight	3.3 mt			
Boom Type	1 PC		VA	
Stick Length	2.20 m (7'3")	2.50 m (8'2")	2.20 m (7'3")	2.50 m (8'2")
HM2615	✓	✓	✓	✓

### M314 (Build: 07A)

#### Pin-on

Undercarriage	Front and Rear Outriggers			
Counterweight	3.1 mt			
Boom Type	1 PC		VA	
Stick Length	2.20 m (7'3")	2.50 m (8'2")	2.20 m (7'3")	2.50 m (8'2")
HM2615	✓	✓	✓	✓

#### Pin-on (continued)

Undercarriage	Front Blade; Rear Outriggers			
Counterweight	3.1 mt			
Boom Type	1 PC		VA	
Stick Length	2.20 m (7'3")	2.50 m (8'2")	2.20 m (7'3")	2.50 m (8'2")
HM2615	✓	✓	✓	✓

#### Pin-on (continued)

Undercarriage	Front Outriggers; Rear Blade			
Counterweight	3.1 mt			
Boom Type	1 PC		VA	
Stick Length	2.20 m (7'3")	2.50 m (8'2")	2.20 m (7'3")	2.50 m (8'2")
HM2615	✓	✓	✓	✓

(continued on next page)



## Matching – Wheeled Excavators *(continued)*

 Match

 \* Working Range Front Only

 No Match

### M314 (Build: 07A) *(continued)*

#### Pin-on *(continued)*

Undercarriage	Rear Blade			
Counterweight	3.1 mt			
Boom Type	1 PC		VA	
Stick Length	2.20 m (7'3")	2.50 m (8'2")	2.20 m (7'3")	2.50 m (8'2")
HM2615	✓	✓	✓	✓

#### Cat Pin Grabber Coupler

Undercarriage	Front and Rear Outriggers			
Counterweight	3.1 mt			
Boom Type	1 PC		VA	
Stick Length	2.20 m (7'3")	2.50 m (8'2")	2.20 m (7'3")	2.50 m (8'2")
HM2615	✓	✓	✓	✓

#### Cat Pin Grabber Coupler *(continued)*

Undercarriage	Front Blade; Rear Outriggers			
Counterweight	3.1 mt			
Boom Type	1 PC		VA	
Stick Length	2.20 m (7'3")	2.50 m (8'2")	2.20 m (7'3")	2.50 m (8'2")
HM2615	✓	✓	✓	✓

#### Cat Pin Grabber Coupler *(continued)*

Undercarriage	Front Outriggers; Rear Blade			
Counterweight	3.1 mt			
Boom Type	1 PC		VA	
Stick Length	2.20 m (7'3")	2.50 m (8'2")	2.20 m (7'3")	2.50 m (8'2")
HM2615	✓	✓	✓	✓

#### Cat Pin Grabber Coupler *(continued)*

Undercarriage	Rear Blade			
Counterweight	3.1 mt			
Boom Type	1 PC		VA	
Stick Length	2.20 m (7'3")	2.50 m (8'2")	2.20 m (7'3")	2.50 m (8'2")
HM2615	✓	✓	✓	✓

### M315F

#### Pin-on

Undercarriage	Front (parallel) Blade; Rear Outriggers			
Counterweight	3.75 mt			
Boom Type	Offset		VA	
Stick Length	2.30 m (7'7")	2.45 m (8'0")	2.30 m (7'7")	2.45 m (8'0")
HM2615	✓	✓	✓	✓
HM3013	✓	✓	✓	✓

*(continued on next page)*

# Mulchers Technical Specifications

## Matching – Wheeled Excavators *(continued)*

 Match

 \* Working Range Front Only

 No Match

### M315F *(continued)*

#### Pin-on *(continued)*

Undercarriage	Front Outriggers; Rear (parallel) Blade			
Counterweight	3.75 mt			
Boom Type	Offset		VA	
Stick Length	2.30 m (7'7")	2.45 m (8'0")	2.30 m (7'7")	2.45 m (8'0")
HM2615	✓	✓	✓	✓
HM3013	✓	✓	✓	✓

#### Pin-on *(continued)*

Undercarriage	Front Outriggers; Rear (radial) blade			
Counterweight	3.75 mt			
Boom Type	Offset		VA	
Stick Length	2.30 m (7'7")	2.45 m (8'0")	2.30 m (7'7")	2.45 m (8'0")
HM2615	✓	✓	✓	✓
HM3013	✓	✓	✓	✓

#### Pin-on *(continued)*

Undercarriage	Rear (parallel) Blade			
Counterweight	3.75 mt			
Boom Type	Offset		VA	
Stick Length	2.30 m (7'7")	2.45 m (8'0")	2.30 m (7'7")	2.45 m (8'0")
HM2615	✓	✓	✓	✓
HM3013	✓	✓	✓	✓

#### Pin-on *(continued)*

Undercarriage	Rear (radial) Blade			
Counterweight	3.75 mt			
Boom Type	Offset		VA	
Stick Length	2.30 m (7'7")	2.45 m (8'0")	2.30 m (7'7")	2.45 m (8'0")
HM2615	✓	✓	✓	✓
HM3013	✓	✓	✓	✓

### Cat Pin Grabber Coupler

Undercarriage	Front (parallel) Blade; Rear Outriggers			
Counterweight	3.75 mt			
Boom Type	Offset		VA	
Stick Length	2.30 m (7'7")	2.45 m (8'0")	2.30 m (7'7")	2.45 m (8'0")
HM2615	✓	✓	✓	✓
HM3013	✓	✓	✓	✓

### Cat Pin Grabber Coupler *(continued)*

Undercarriage	Front Outriggers; Rear (parallel) Blade			
Counterweight	3.75 mt			
Boom Type	Offset		VA	
Stick Length	2.30 m (7'7")	2.45 m (8'0")	2.30 m (7'7")	2.45 m (8'0")
HM2615	✓	✓	✓	✓
HM3013	✓	✓	✓	✓

*(continued on next page)*

## Matching – Wheeled Excavators (continued)

 Match

 \* Working Range Front Only

 No Match

### M315F (continued)

#### Cat Pin Grabber Coupler (continued)

Undercarriage	Front Outriggers; Rear (radial) blade			
Counterweight	3.75 mt			
Boom Type	Offset		VA	
Stick Length	2.30 m (7'7")	2.45 m (8'0")	2.30 m (7'7")	2.45 m (8'0")
HM2615	✓	✓	✓	✓
HM3013	✓	✓	✓	✓

#### Cat Pin Grabber Coupler (continued)

Undercarriage	Rear (parallel) Blade			
Counterweight	3.75 mt			
Boom Type	Offset		VA	
Stick Length	2.30 m (7'7")	2.45 m (8'0")	2.30 m (7'7")	2.45 m (8'0")
HM2615	✓	✓*	✓	✓
HM3013			✓	✓*

#### Cat Pin Grabber Coupler (continued)

Undercarriage	Rear (radial) Blade			
Counterweight	3.75 mt			
Boom Type	Offset		VA	
Stick Length	2.30 m (7'7")	2.45 m (8'0")	2.30 m (7'7")	2.45 m (8'0")
HM2615	✓*	✓*	✓	✓
HM3013			✓*	✓*

### M315

#### Pin-on

Undercarriage	Front and Rear Outriggers		Front Blade; Rear Outriggers	
Counterweight	4.0 mt		4.0 mt	
Boom Type	VA		VA	
Stick Length	2.20 m (7'3")	2.50 m (8'2")	2.20 m (7'3")	2.50 m (8'2")
HM2615	✓	✓	✓	✓

#### Pin-on (continued)

Undercarriage	Front Outriggers; Rear Blade		Rear Blade	
Counterweight	4.0 mt		4.0 mt	
Boom Type	VA		VA	
Stick Length	2.20 m (7'3")	2.50 m (8'2")	2.20 m (7'3")	2.50 m (8'2")
HM2615	✓	✓	✓	✓

#### Cat Pin Grabber Coupler

Undercarriage	Front and Rear Outriggers	Front Blade; Rear Outriggers	Front Outriggers; Rear Blade	Rear Blade
Counterweight	4.0 mt	4.0 mt	4.0 mt	4.0 mt
Boom Type	VA	VA	VA	VA
Stick Length	2.20 m (7'3")	2.20 m (7'3")	2.20 m (7'3")	2.20 m (7'3")
HM2615	✓	✓	✓	✓

(continued on next page)

# Mulchers Technical Specifications

## Matching – Wheeled Excavators *(continued)*

 Match

 \* Working Range Front Only

 No Match

### M316F

#### Pin-on

Undercarriage	Front and Rear Outriggers					
Counterweight	3.2 mt					
Boom Type	1 PC			VA		
Stick Length	2.10 m (6'11")	2.40 m (7'10")	2.60 m (8'6")	2.10 m (6'11")	2.40 m (7'10")	2.60 m (8'6")
HM2615	✓	✓	✓	✓	✓	✓
HM3013	✓	✓	✓	✓	✓	✓

#### Pin-on *(continued)*

Undercarriage	Front and Rear Outriggers					
Counterweight	3.7 mt					
Boom Type	1 PC			VA		
Stick Length	2.10 m (6'11")	2.40 m (7'10")	2.60 m (8'6")	2.10 m (6'11")	2.40 m (7'10")	2.60 m (8'6")
HM2615	✓	✓	✓	✓	✓	✓
HM3013	✓	✓	✓	✓	✓	✓

#### Pin-on *(continued)*

Undercarriage	Front Blade; Rear Outriggers					
Counterweight	3.2 mt					
Boom Type	1 PC			VA		
Stick Length	2.10 m (6'11")	2.40 m (7'10")	2.60 m (8'6")	2.10 m (6'11")	2.40 m (7'10")	2.60 m (8'6")
HM2615	✓	✓	✓	✓	✓	✓
HM3013	✓	✓	✓	✓	✓	✓

#### Pin-on *(continued)*

Undercarriage	Front Blade; Rear Outriggers					
Counterweight	3.7 mt					
Boom Type	1 PC			VA		
Stick Length	2.10 m (6'11")	2.40 m (7'10")	2.60 m (8'6")	2.10 m (6'11")	2.40 m (7'10")	2.60 m (8'6")
HM2615	✓	✓	✓	✓	✓	✓
HM3013	✓	✓	✓	✓	✓	✓

#### Pin-on *(continued)*

Undercarriage	Front (parallel) Blade; Rear Outriggers					
Counterweight	3.2 mt					
Boom Type	1 PC			VA		
Stick Length	2.10 m (6'11")	2.40 m (7'10")	2.60 m (8'6")	2.10 m (6'11")	2.40 m (7'10")	2.60 m (8'6")
HM2615	✓	✓	✓	✓	✓	✓
HM3013	✓	✓	✓	✓	✓	✓

#### Pin-on *(continued)*

Undercarriage	Front (parallel) Blade; Rear Outriggers					
Counterweight	3.7 mt					
Boom Type	1 PC			VA		
Stick Length	2.10 m (6'11")	2.40 m (7'10")	2.60 m (8'6")	2.10 m (6'11")	2.40 m (7'10")	2.60 m (8'6")
HM2615	✓	✓	✓	✓	✓	✓
HM3013	✓	✓	✓	✓	✓	✓

*(continued on next page)*

## Matching – Wheeled Excavators *(continued)*

 Match

 \* Working Range Front Only

 No Match

### M316F *(continued)*

#### Pin-on *(continued)*

Undercarriage	Rear (parallel) Blade					
Counterweight	3.2 mt					
Boom Type	1 PC			VA		
Stick Length	2.10 m (6'11")	2.40 m (7'10")	2.60 m (8'6")	2.10 m (6'11")	2.40 m (7'10")	2.60 m (8'6")
HM2615	✓	✓	✓	✓	✓	✓
HM3013	✓	✓	✓	✓	✓	✓

#### Pin-on *(continued)*

Undercarriage	Rear (parallel) Blade					
Counterweight	3.7 mt					
Boom Type	1 PC			VA		
Stick Length	2.10 m (6'11")	2.40 m (7'10")	2.60 m (8'6")	2.10 m (6'11")	2.40 m (7'10")	2.60 m (8'6")
HM2615	✓	✓	✓	✓	✓	✓
HM3013	✓	✓	✓	✓	✓	✓

#### Pin-on *(continued)*

Undercarriage	Rear Blade					
Counterweight	3.2 mt					
Boom Type	1 PC			VA		
Stick Length	2.10 m (6'11")	2.40 m (7'10")	2.60 m (8'6")	2.10 m (6'11")	2.40 m (7'10")	2.60 m (8'6")
HM2615	✓	✓	✓	✓	✓	✓
HM3013	✓	✓	✓	✓	✓	✓

#### Pin-on *(continued)*

Undercarriage	Rear Blade					
Counterweight	3.7 mt					
Boom Type	1 PC			VA		
Stick Length	2.10 m (6'11")	2.40 m (7'10")	2.60 m (8'6")	2.10 m (6'11")	2.40 m (7'10")	2.60 m (8'6")
HM2615	✓	✓	✓	✓	✓	✓
HM3013	✓	✓	✓	✓	✓	✓

### Cat Pin Grabber Coupler

Undercarriage	Front and Rear Outriggers					
Counterweight	3.2 mt					
Boom Type	1 PC			VA		
Stick Length	2.10 m (6'11")	2.40 m (7'10")	2.60 m (8'6")	2.10 m (6'11")	2.40 m (7'10")	2.60 m (8'6")
HM2615	✓	✓	✓	✓	✓	✓
HM3013	✓	✓	✓	✓	✓	✓

### Cat Pin Grabber Coupler *(continued)*

Undercarriage	Front and Rear Outriggers					
Counterweight	3.7 mt					
Boom Type	1 PC			VA		
Stick Length	2.10 m (6'11")	2.40 m (7'10")	2.60 m (8'6")	2.10 m (6'11")	2.40 m (7'10")	2.60 m (8'6")
HM2615	✓	✓	✓	✓	✓	✓
HM3013	✓	✓	✓	✓	✓	✓

*(continued on next page)*

# Mulchers Technical Specifications

## Matching – Wheeled Excavators (continued)

 Match

 \* Working Range Front Only

 No Match

### M316F (continued)

#### Cat Pin Grabber Coupler (continued)

Undercarriage	Front Blade; Rear Outriggers					
Counterweight	3.2 mt					
Boom Type	1 PC			VA		
Stick Length	2.10 m (6'11")	2.40 m (7'10")	2.60 m (8'6")	2.10 m (6'11")	2.40 m (7'10")	2.60 m (8'6")
HM2615	✓	✓	✓	✓	✓	✓
HM3013	✓	✓	✓	✓	✓	✓

#### Cat Pin Grabber Coupler (continued)

Undercarriage	Front Blade; Rear Outriggers					
Counterweight	3.7 mt					
Boom Type	1 PC			VA		
Stick Length	2.10 m (6'11")	2.40 m (7'10")	2.60 m (8'6")	2.10 m (6'11")	2.40 m (7'10")	2.60 m (8'6")
HM2615	✓	✓	✓	✓	✓	✓
HM3013	✓	✓	✓	✓	✓	✓

#### Cat Pin Grabber Coupler (continued)

Undercarriage	Front (parallel) Blade; Rear Outriggers					
Counterweight	3.2 mt					
Boom Type	1 PC			VA		
Stick Length	2.10 m (6'11")	2.40 m (7'10")	2.60 m (8'6")	2.10 m (6'11")	2.40 m (7'10")	2.60 m (8'6")
HM2615	✓	✓	✓	✓	✓	✓
HM3013	✓	✓	✓	✓	✓	✓

#### Cat Pin Grabber Coupler (continued)

Undercarriage	Front (parallel) Blade; Rear Outriggers					
Counterweight	3.7 mt					
Boom Type	1 PC			VA		
Stick Length	2.10 m (6'11")	2.40 m (7'10")	2.60 m (8'6")	2.10 m (6'11")	2.40 m (7'10")	2.60 m (8'6")
HM2615	✓	✓	✓	✓	✓	✓
HM3013	✓	✓	✓	✓	✓	✓

#### Cat Pin Grabber Coupler (continued)

Undercarriage	Rear (parallel) Blade					
Counterweight	3.2 mt					
Boom Type	1 PC			VA		
Stick Length	2.10 m (6'11")	2.40 m (7'10")	2.60 m (8'6")	2.10 m (6'11")	2.40 m (7'10")	2.60 m (8'6")
HM2615	✓	✓	✓	✓	✓	✓*
HM3013	✓	✓*		✓*		

#### Cat Pin Grabber Coupler (continued)

Undercarriage	Rear (parallel) Blade					
Counterweight	3.7 mt					
Boom Type	1 PC			VA		
Stick Length	2.10 m (6'11")	2.40 m (7'10")	2.60 m (8'6")	2.10 m (6'11")	2.40 m (7'10")	2.60 m (8'6")
HM2615	✓	✓	✓	✓	✓	✓
HM3013	✓	✓	✓	✓	✓*	✓*

(continued on next page)

# Mulchers Technical Specifications

## Matching – Wheeled Excavators (continued)

 Match

 \* Working Range Front Only

 No Match

### M316F (continued)

#### Cat Pin Grabber Coupler (continued)

Undercarriage	Rear Blade					
Counterweight	3.2 mt					
Boom Type	1 PC			VA		
Stick Length	2.10 m (6'11")	2.40 m (7'10")	2.60 m (8'6")	2.10 m (6'11")	2.40 m (7'10")	2.60 m (8'6")
HM2615	✓	✓	✓	✓	✓*	✓*
HM3013	✓*	✓*				

#### Cat Pin Grabber Coupler (continued)

Undercarriage	Rear Blade					
Counterweight	3.7 mt					
Boom Type	1 PC			VA		
Stick Length	2.10 m (6'11")	2.40 m (7'10")	2.60 m (8'6")	2.10 m (6'11")	2.40 m (7'10")	2.60 m (8'6")
HM2615	✓	✓	✓	✓	✓	✓
HM3013	✓	✓	✓	✓	✓*	

### M316

#### Pin-on

Undercarriage	Front and Rear Outriggers			Front Blade; Rear Outriggers		
Counterweight	2.6 mt	3.3 mt		2.6 mt	3.3 mt	
Boom Type	VA	VA		VA	VA	
Stick Length	2.50 m (8'2")	2.20 m (7'3")	2.50 m (8'2")	2.50 m (8'2")	2.20 m (7'3")	2.50 m (8'2")
HM2615	✓	✓	✓	✓	✓	✓
HM3013	✓	✓	✓	✓	✓	✓

#### Pin-on (continued)

Undercarriage	Front Outriggers; Rear Blade			Rear Blade		
Counterweight	2.6 mt	3.3 mt		2.6 mt	3.3 mt	
Boom Type	VA	VA		VA	VA	
Stick Length	2.50 m (8'2")	2.20 m (7'3")	2.50 m (8'2")	2.50 m (8'2")	2.20 m (7'3")	2.50 m (8'2")
HM2615	✓	✓	✓	✓	✓	✓
HM3013	✓	✓	✓	✓*	✓	✓

#### Cat Pin Grabber Coupler

Undercarriage	Front and Rear Outriggers			Front Blade; Rear Outriggers		
Counterweight	2.6 mt	3.3 mt		2.6 mt	3.3 mt	
Boom Type	VA	VA		VA	VA	
Stick Length	2.50 m (8'2")	2.20 m (7'3")	2.50 m (8'2")	2.50 m (8'2")	2.20 m (7'3")	2.50 m (8'2")
HM2615	✓	✓	✓	✓	✓	✓
HM3013	✓	✓	✓	✓	✓	✓

#### Cat Pin Grabber Coupler (continued)

Undercarriage	Front Outriggers; Rear Blade			Rear Blade	
Counterweight	2.6 mt	3.3 mt		3.3 mt	
Boom Type	VA	VA		VA	
Stick Length	2.50 m (8'2")	2.20 m (7'3")	2.50 m (8'2")	2.20 m (7'3")	2.50 m (8'2")
HM2615	✓	✓	✓	✓	✓
HM3013	✓	✓	✓	✓*	

(continued on next page)

# Mulchers Technical Specifications

## Matching – Wheeled Excavators *(continued)*

 Match

 \* Working Range Front Only

 No Match

### M317F

#### Pin-on

Undercarriage	Front (parallel) Blade; Rear Outriggers			Front Outriggers; Rear (parallel) Blade		
Counterweight	4.3 mt	4.3 mt		4.3 mt	4.3 mt	
Boom Type	Offset	VA		Offset	VA	
Stick Length	2.45 m (8'0")	2.45 m (8'0")	2.60 m (8'6")	2.45 m (8'0")	2.45 m (8'0")	2.60 m (8'6")
HM2615	✓	✓	✓	✓	✓	✓
HM3013	✓	✓	✓	✓	✓	✓

#### Pin-on *(continued)*

Undercarriage	Rear (parallel) Blade			Rear Blade (Wide Undercarriage)		
Counterweight	4.3 mt	4.3 mt		4.3 mt	4.3 mt	
Boom Type	Offset	VA		Offset	VA	
Stick Length	2.45 m (8'0")	2.45 m (8'0")	2.60 m (8'6")	2.45 m (8'0")	2.45 m (8'0")	2.60 m (8'6")
HM2615	✓	✓	✓	✓	✓	✓
HM3013	✓	✓	✓	✓	✓	✓

#### Cat Pin Grabber Coupler

Undercarriage	Front (parallel) Blade; Rear Outriggers			Front Outriggers; Rear (parallel) Blade		
Counterweight	4.3 mt	4.3 mt		4.3 mt	4.3 mt	
Boom Type	Offset	VA		Offset	VA	
Stick Length	2.45 m (8'0")	2.45 m (8'0")	2.60 m (8'6")	2.45 m (8'0")	2.45 m (8'0")	2.60 m (8'6")
HM2615	✓	✓	✓	✓	✓	✓
HM3013	✓	✓	✓	✓	✓	✓

#### Cat Pin Grabber Coupler *(continued)*

Undercarriage	Rear (parallel) Blade			Rear Blade (Wide Undercarriage)		
Counterweight	4.3 mt	4.3 mt		4.3 mt	4.3 mt	
Boom Type	Offset	VA		Offset	VA	
Stick Length	2.45 m (8'0")	2.45 m (8'0")	2.60 m (8'6")	2.45 m (8'0")	2.45 m (8'0")	2.60 m (8'6")
HM2615	✓	✓	✓	✓	✓	✓
HM3013	✓*	✓	✓	✓	✓	✓

*(continued on next page)*



## Matching – Wheeled Excavators *(continued)*

 Match

 \* Working Range Front Only

 No Match

### M317

#### Pin-on

Undercarriage	Front and Rear Outriggers		Front Blade; Rear Outriggers	
Counterweight	4.3 mt		4.3 mt	
Boom Type	VA		VA	
Stick Length	2.20 m (7'3")	2.50 m (8'2")	2.20 m (7'3")	2.50 m (8'2")
HM2615	✓	✓	✓	✓
HM3013	✓	✓	✓	✓

#### Pin-on *(continued)*

Undercarriage	Front Outriggers; Rear Blade		Rear Blade	
Counterweight	4.3 mt		4.3 mt	
Boom Type	VA		VA	
Stick Length	2.20 m (7'3")	2.50 m (8'2")	2.20 m (7'3")	2.50 m (8'2")
HM2615	✓	✓	✓	✓
HM3013	✓	✓	✓	✓

#### Cat Pin Grabber Coupler

Undercarriage	Front and Rear Outriggers		Front Blade; Rear Outriggers	
Counterweight	4.3 mt		4.3 mt	
Boom Type	VA		VA	
Stick Length	2.20 m (7'3")	2.50 m (8'2")	2.20 m (7'3")	2.50 m (8'2")
HM2615	✓	✓	✓	✓

#### Cat Pin Grabber Coupler *(continued)*

Undercarriage	Front Outriggers; Rear Blade		Rear Blade	
Counterweight	4.3 mt		4.3 mt	
Boom Type	VA		VA	
Stick Length	2.20 m (7'3")	2.50 m (8'2")	2.20 m (7'3")	2.50 m (8'2")
HM2615	✓	✓	✓	✓

### M318F

#### Pin-on

Undercarriage	Front and Rear Outriggers					
Counterweight	3.4 mt					
Boom Type	1 PC			VA		
Stick Length	2.10 m (6'11")	2.40 m (7'10")	2.60 m (8'6")	2.10 m (6'11")	2.40 m (7'10")	2.60 m (8'6")
HM4015	✓	✓	✓	✓	✓	✓
HM4815	✓	✓	✓	✓	✓	✓

#### Pin-on *(continued)*

Undercarriage	Front and Rear Outriggers					
Counterweight	3.9 mt					
Boom Type	1 PC			VA		
Stick Length	2.10 m (6'11")	2.40 m (7'10")	2.60 m (8'6")	2.10 m (6'11")	2.40 m (7'10")	2.60 m (8'6")
HM4015	✓	✓	✓	✓	✓	✓
HM4815	✓	✓	✓	✓	✓	✓

*(continued on next page)*

# Mulchers Technical Specifications

## Matching – Wheeled Excavators *(continued)*

 Match

 \* Working Range Front Only

 No Match

### M318F *(continued)*

#### Pin-on *(continued)*

Undercarriage	Front Outriggers; Rear Blade (Wide Undercarriage)					
Counterweight	3.4 mt					
Boom Type	1 PC			VA		
Stick Length	2.10 m (6'11")	2.40 m (7'10")	2.60 m (8'6")	2.10 m (6'11")	2.40 m (7'10")	2.60 m (8'6")
HM4015	✓	✓	✓	✓	✓	✓
HM4815	✓	✓	✓	✓	✓	✓

#### Pin-on *(continued)*

Undercarriage	Front Outriggers; Rear Blade (Wide Undercarriage)					
Counterweight	3.9 mt					
Boom Type	1 PC			VA		
Stick Length	2.10 m (6'11")	2.40 m (7'10")	2.60 m (8'6")	2.10 m (6'11")	2.40 m (7'10")	2.60 m (8'6")
HM4015	✓	✓	✓	✓	✓	✓
HM4815	✓	✓	✓	✓	✓	✓

#### Pin-on *(continued)*

Undercarriage	Front Outriggers; Rear Blade					
Counterweight	3.4 mt					
Boom Type	1 PC			VA		
Stick Length	2.10 m (6'11")	2.40 m (7'10")	2.60 m (8'6")	2.10 m (6'11")	2.40 m (7'10")	2.60 m (8'6")
HM4015	✓	✓	✓	✓	✓	✓
HM4815	✓	✓	✓	✓	✓	✓

#### Pin-on *(continued)*

Undercarriage	Front Outriggers; Rear Blade					
Counterweight	3.9 mt					
Boom Type	1 PC			VA		
Stick Length	2.10 m (6'11")	2.40 m (7'10")	2.60 m (8'6")	2.10 m (6'11")	2.40 m (7'10")	2.60 m (8'6")
HM4015	✓	✓	✓	✓	✓	✓
HM4815	✓	✓	✓	✓	✓	✓

#### Pin-on *(continued)*

Undercarriage	Rear Blade					
Counterweight	3.4 mt					
Boom Type	1 PC			VA		
Stick Length	2.10 m (6'11")	2.40 m (7'10")	2.60 m (8'6")	2.10 m (6'11")	2.40 m (7'10")	2.60 m (8'6")
HM4015	✓	✓	✓*	✓	✓*	✓*
HM4815	✓	✓	✓*	✓	✓*	✓*

#### Pin-on *(continued)*

Undercarriage	Rear Blade					
Counterweight	3.9 mt					
Boom Type	1 PC			VA		
Stick Length	2.10 m (6'11")	2.40 m (7'10")	2.60 m (8'6")	2.10 m (6'11")	2.40 m (7'10")	2.60 m (8'6")
HM4015	✓	✓	✓	✓	✓	✓
HM4815	✓	✓	✓	✓	✓	✓

*(continued on next page)*

## Matching – Wheeled Excavators *(continued)*

 Match

 \* Working Range Front Only

 No Match

### M318F *(continued)*

#### Pin-on *(continued)*

Undercarriage	Rear Blade (Wide Undercarriage)					
Counterweight	3.4 mt					
Boom Type	1 PC			VA		
Stick Length	2.10 m (6'11")	2.40 m (7'10")	2.60 m (8'6")	2.10 m (6'11")	2.40 m (7'10")	2.60 m (8'6")
HM4015	✓	✓	✓	✓	✓	✓
HM4815	✓	✓	✓	✓	✓	✓

#### Pin-on *(continued)*

Undercarriage	Rear Blade (Wide Undercarriage)					
Counterweight	3.9 mt					
Boom Type	1 PC			VA		
Stick Length	2.10 m (6'11")	2.40 m (7'10")	2.60 m (8'6")	2.10 m (6'11")	2.40 m (7'10")	2.60 m (8'6")
HM4015	✓	✓	✓	✓	✓	✓
HM4815	✓	✓	✓	✓	✓	✓

#### Cat Pin Grabber Coupler

Undercarriage	Front and Rear Outriggers					
Counterweight	3.4 mt					
Boom Type	1 PC			VA		
Stick Length	2.10 m (6'11")	2.40 m (7'10")	2.60 m (8'6")	2.10 m (6'11")	2.40 m (7'10")	2.60 m (8'6")
HM4015	✓	✓	✓	✓	✓	✓
HM4815	✓	✓	✓	✓	✓	✓

#### Cat Pin Grabber Coupler *(continued)*

Undercarriage	Front and Rear Outriggers					
Counterweight	3.9 mt					
Boom Type	1 PC			VA		
Stick Length	2.10 m (6'11")	2.40 m (7'10")	2.60 m (8'6")	2.10 m (6'11")	2.40 m (7'10")	2.60 m (8'6")
HM4015	✓	✓	✓	✓	✓	✓
HM4815	✓	✓	✓	✓	✓	✓

#### Cat Pin Grabber Coupler *(continued)*

Undercarriage	Front Outriggers; Rear Blade (Wide Undercarriage)					
Counterweight	3.4 mt					
Boom Type	1 PC			VA		
Stick Length	2.10 m (6'11")	2.40 m (7'10")	2.60 m (8'6")	2.10 m (6'11")	2.40 m (7'10")	2.60 m (8'6")
HM4015	✓	✓	✓	✓	✓	✓
HM4815	✓	✓	✓	✓	✓	✓

#### Cat Pin Grabber Coupler *(continued)*

Undercarriage	Front Outriggers; Rear Blade (Wide Undercarriage)					
Counterweight	3.9 mt					
Boom Type	1 PC			VA		
Stick Length	2.10 m (6'11")	2.40 m (7'10")	2.60 m (8'6")	2.10 m (6'11")	2.40 m (7'10")	2.60 m (8'6")
HM4015	✓	✓	✓	✓	✓	✓
HM4815	✓	✓	✓	✓	✓	✓

*(continued on next page)*

# Mulchers Technical Specifications

## Matching – Wheeled Excavators (continued)

 Match

 \* Working Range Front Only

 No Match

### M318F (continued)

#### Cat Pin Grabber Coupler (continued)

Undercarriage	Front Outriggers; Rear Blade					
Counterweight	3.4 mt					
Boom Type	1 PC			VA		
Stick Length	2.10 m (6'11")	2.40 m (7'10")	2.60 m (8'6")	2.10 m (6'11")	2.40 m (7'10")	2.60 m (8'6")
HM4015	✓	✓	✓	✓	✓	✓
HM4815	✓	✓	✓	✓	✓	✓

#### Cat Pin Grabber Coupler (continued)

Undercarriage	Front Outriggers; Rear Blade					
Counterweight	3.9 mt					
Boom Type	1 PC			VA		
Stick Length	2.10 m (6'11")	2.40 m (7'10")	2.60 m (8'6")	2.10 m (6'11")	2.40 m (7'10")	2.60 m (8'6")
HM4015	✓	✓	✓	✓	✓	✓
HM4815	✓	✓	✓	✓	✓	✓

#### Cat Pin Grabber Coupler (continued)

Undercarriage	Rear Blade		Rear Blade (Wide Undercarriage)		
Counterweight	3.9 mt		3.4 mt		
Boom Type	1 PC		1 PC		VA
Stick Length	2.10 m (6'11")	2.40 m (7'10")	2.10 m (6'11")	2.40 m (7'10")	2.10 m (6'11")
HM4015	✓*	✓*	✓	✓*	✓*
HM4815	✓*	✓*	✓	✓*	✓*

#### Cat Pin Grabber Coupler (continued)

Undercarriage	Rear Blade (Wide Undercarriage)					
Counterweight	3.9 mt					
Boom Type	1 PC			VA		
Stick Length	2.10 m (6'11")	2.40 m (7'10")	2.60 m (8'6")	2.10 m (6'11")	2.40 m (7'10")	2.60 m (8'6")
HM4015	✓	✓	✓	✓	✓*	✓*
HM4815	✓	✓	✓	✓	✓*	✓*

### M318 (Build: 05)

#### Pin-on

Undercarriage	Front and Rear Outriggers			Front Blade; Rear Outriggers		
Counterweight	4.2 mt			4.2 mt		
Boom Type	1 PC			1 PC		
Stick Length	2.20 m (7'3")	2.50 m (8'2")	2.90 m (9'6")	2.20 m (7'3")	2.50 m (8'2")	2.90 m (9'6")
HM2615	✓	✓	✓	✓	✓	✓
HM4815	✓	✓	✓	✓	✓	✓

#### Pin-on (continued)

Undercarriage	Front Outriggers; Rear Blade			Front Outriggers; Rear Blade (Wide Undercarriage)		
Counterweight	4.2 mt			4.2 mt		
Boom Type	1 PC			1 PC		
Stick Length	2.20 m (7'3")	2.50 m (8'2")	2.90 m (9'6")	2.20 m (7'3")	2.50 m (8'2")	2.90 m (9'6")
HM2615	✓	✓	✓	✓	✓	✓
HM4815	✓	✓	✓	✓	✓	✓

(continued on next page)

## Matching – Wheeled Excavators *(continued)*

 Match

 \* Working Range Front Only

 No Match

### M318 (Build: 05) *(continued)*

#### Pin-on *(continued)*

Undercarriage	Rear Blade			Rear Blade (Wide Undercarriage)		
Counterweight	4.2 mt			4.2 mt		
Boom Type	1 PC			1 PC		
Stick Length	2.20 m (7'3")	2.50 m (8'2")	2.90 m (9'6")	2.20 m (7'3")	2.50 m (8'2")	2.90 m (9'6")
HM2615	✓	✓	✓	✓	✓	✓
HM4815	✓	✓	✓	✓	✓	✓

#### Cat Pin Grabber Coupler

Undercarriage	Front and Rear Outriggers		Front Blade; Rear Outriggers		Front Outriggers; Rear Blade	
Counterweight	4.2 mt		4.2 mt		4.2 mt	
Boom Type	1 PC		1 PC		1 PC	
Stick Length	2.20 m (7'3")	2.50 m (8'2")	2.20 m (7'3")	2.50 m (8'2")	2.20 m (7'3")	2.50 m (8'2")
HM2615	✓	✓	✓	✓	✓	✓
HM4815	✓	✓	✓	✓	✓	✓

#### Cat Pin Grabber Coupler *(continued)*

Undercarriage	Front Outriggers; Rear Blade (Wide Undercarriage)		Rear Blade		Rear Blade (Wide Undercarriage)	
Counterweight	4.2 mt		4.2 mt		4.2 mt	
Boom Type	1 PC		1 PC		1 PC	
Stick Length	2.20 m (7'3")	2.50 m (8'2")	2.20 m (7'3")	2.50 m (8'2")	2.20 m (7'3")	2.50 m (8'2")
HM2615	✓	✓	✓	✓*	✓	✓
	✓	✓	✓	✓*	✓	✓

### M318 (Build: 07)

#### Pin-on

Undercarriage	Front and Rear Outriggers					
Counterweight	3.7 mt					
Boom Type	1 PC			VA		
Stick Length	2.20 m (7'3")	2.50 m (8'2")	2.90 m (9'6")	2.20 m (7'3")	2.50 m (8'2")	2.90 m (9'6")
HM4015	✓	✓	✓	✓	✓	✓
HM4815	✓	✓	✓		✓	✓

#### Pin-on *(continued)*

Undercarriage	Front and Rear Outriggers					
Counterweight	4.2 mt					
Boom Type	1 PC			VA		
Stick Length	2.20 m (7'3")	2.50 m (8'2")	2.90 m (9'6")	2.20 m (7'3")	2.50 m (8'2")	2.90 m (9'6")
HM4015	✓	✓	✓	✓	✓	✓
HM4815	✓	✓	✓		✓	✓

#### Pin-on *(continued)*

Undercarriage	Front Blade; Rear Outriggers					
Counterweight	3.7 mt					
Boom Type	1 PC			VA		
Stick Length	2.20 m (7'3")	2.50 m (8'2")	2.90 m (9'6")	2.20 m (7'3")	2.50 m (8'2")	2.90 m (9'6")
HM4015	✓	✓	✓	✓	✓	✓
HM4815	✓	✓	✓		✓	✓

# Mulchers Technical Specifications

## Matching – Wheeled Excavators (continued)

 Match

 \* Working Range Front Only

 No Match

### M318 (Build: 07) (continued)

#### Pin-on (continued)

Undercarriage	Front Blade; Rear Outriggers					
Counterweight	4.2 mt					
Boom Type	1 PC			VA		
Stick Length	2.20 m (7'3")	2.50 m (8'2")	2.90 m (9'6")	2.20 m (7'3")	2.50 m (8'2")	2.90 m (9'6")
HM4015	✓	✓	✓	✓	✓	✓
HM4815	✓	✓	✓		✓	✓

#### Pin-on (continued)

Undercarriage	Front Outriggers; Rear Blade					
Counterweight	3.7 mt					
Boom Type	1 PC			VA		
Stick Length	2.20 m (7'3")	2.50 m (8'2")	2.90 m (9'6")	2.20 m (7'3")	2.50 m (8'2")	2.90 m (9'6")
HM4015	✓	✓	✓	✓	✓	✓
HM4815	✓	✓	✓		✓	✓

#### Pin-on (continued)

Undercarriage	Front Outriggers; Rear Blade					
Counterweight	4.2 mt					
Boom Type	1 PC			VA		
Stick Length	2.20 m (7'3")	2.50 m (8'2")	2.90 m (9'6")	2.20 m (7'3")	2.50 m (8'2")	2.90 m (9'6")
HM4015	✓	✓	✓	✓	✓	✓
HM4815	✓	✓	✓		✓	✓

#### Pin-on (continued)

Undercarriage	Front Outriggers; Rear Blade (Wide Undercarriage)					
Counterweight	3.7 mt					
Boom Type	1 PC			VA		
Stick Length	2.20 m (7'3")	2.50 m (8'2")	2.90 m (9'6")	2.20 m (7'3")	2.50 m (8'2")	2.90 m (9'6")
HM4015	✓	✓	✓	✓	✓	✓
HM4815	✓	✓	✓		✓	✓

#### Pin-on (continued)

Undercarriage	Front Outriggers; Rear Blade (Wide Undercarriage)					
Counterweight	4.2 mt					
Boom Type	1 PC			VA		
Stick Length	2.20 m (7'3")	2.50 m (8'2")	2.90 m (9'6")	2.20 m (7'3")	2.50 m (8'2")	2.90 m (9'6")
HM4015	✓	✓	✓	✓	✓	✓
HM4815	✓	✓	✓		✓	✓

#### Pin-on (continued)

Undercarriage	Rear Blade					
Counterweight	3.7 mt					
Boom Type	1 PC			VA		
Stick Length	2.20 m (7'3")	2.50 m (8'2")	2.90 m (9'6")	2.20 m (7'3")	2.50 m (8'2")	
HM4015	✓	✓	✓*	✓	✓	
HM4815	✓	✓	✓*		✓	

(continued on next page)

## Matching – Wheeled Excavators *(continued)*

 Match

 \* Working Range Front Only

 No Match

### M318 (Build: 07) *(continued)*

#### Pin-on *(continued)*

Undercarriage	Rear Blade					
Counterweight	4.2 mt					
Boom Type	1 PC			VA		
Stick Length	2.20 m (7'3")	2.50 m (8'2")	2.90 m (9'6")	2.20 m (7'3")	2.50 m (8'2")	2.90 m (9'6")
HM4015	✓	✓	✓	✓	✓	✓
HM4815	✓	✓	✓		✓	✓

#### Pin-on *(continued)*

Undercarriage	Rear Blade (Wide Undercarriage)					
Counterweight	3.7 mt					
Boom Type	1 PC			VA		
Stick Length	2.20 m (7'3")	2.50 m (8'2")	2.90 m (9'6")	2.20 m (7'3")	2.50 m (8'2")	2.90 m (9'6")
HM4015	✓	✓	✓	✓	✓	✓
HM4815	✓	✓	✓		✓	✓

#### Pin-on *(continued)*

Undercarriage	Rear Blade (Wide Undercarriage)					
Counterweight	4.2 mt					
Boom Type	1 PC			VA		
Stick Length	2.20 m (7'3")	2.50 m (8'2")	2.90 m (9'6")	2.20 m (7'3")	2.50 m (8'2")	2.90 m (9'6")
HM4015	✓	✓	✓	✓	✓	✓
HM4815	✓	✓	✓		✓	✓

#### Cat Pin Grabber Coupler

Undercarriage	Front and Rear Outriggers				Front Blade; Rear Outriggers	
Counterweight	3.7 mt		4.2 mt		3.7 mt	
Boom Type	1 PC		1 PC		1 PC	
Stick Length	2.20 m (7'3")	2.50 m (8'2")	2.20 m (7'3")	2.50 m (8'2")	2.20 m (7'3")	2.50 m (8'2")
HM4015	✓	✓	✓	✓	✓	✓
HM4815	✓	✓	✓	✓	✓	✓

#### Cat Pin Grabber Coupler *(continued)*

Undercarriage	Front Blade; Rear Outriggers		Front Outriggers; Rear Blade			
Counterweight	4.2 mt		3.7 mt		4.2 mt	
Boom Type	1 PC		1 PC		1 PC	
Stick Length	2.20 m (7'3")	2.50 m (8'2")	2.20 m (7'3")	2.50 m (8'2")	2.20 m (7'3")	2.50 m (8'2")
HM4015	✓	✓	✓	✓	✓	✓
HM4815	✓	✓	✓	✓	✓	✓

#### Cat Pin Grabber Coupler *(continued)*

Undercarriage	Front Outriggers; Rear Blade (Wide Undercarriage)				Rear Blade	
Counterweight	3.7 mt		4.2 mt		4.2 mt	
Boom Type	1 PC		1 PC		1 PC	
Stick Length	2.20 m (7'3")	2.50 m (8'2")	2.20 m (7'3")	2.50 m (8'2")	2.20 m (7'3")	2.50 m (8'2")
HM4015	✓	✓	✓	✓	✓	✓*
HM4815	✓	✓	✓	✓	✓	✓*

*(continued on next page)*

# Mulchers Technical Specifications

## Matching – Wheeled Excavators *(continued)*

 Match

 \* Working Range Front Only

 No Match

### M318 (Build: 07) *(continued)*

#### Cat Pin Grabber Coupler *(continued)*

Undercarriage	Rear Blade (Wide Undercarriage)			
Counterweight	3.7 mt		4.2 mt	
Boom Type	1 PC		1 PC	
Stick Length	2.20 m (7'3")	2.50 m (8'2")	2.20 m (7'3")	2.50 m (8'2")
HM4015	✓	✓*	✓	✓
HM4815	✓	✓*	✓	✓

### M320F

#### Pin-on

Undercarriage	Front and Rear Outriggers					
Counterweight	3.7 mt				4.2 mt	
Boom Type	1 PC		VA		1 PC	
Stick Length	2.50 m (8'2")	2.80 m (9'2")	2.50 m (8'2")	2.80 m (9'2")	2.50 m (8'2")	2.80 m (9'2")
HM4015	✓	✓	✓	✓	✓	✓
HM4815	✓	✓	✓	✓	✓	✓

#### Pin-on *(continued)*

Undercarriage	Front and Rear Outriggers		Front Outriggers; Rear Blade (Wide Undercarriage)			
Counterweight	4.2 mt		3.7 mt			
Boom Type	VA		1 PC		VA	
Stick Length	2.50 m (8'2")	2.80 m (9'2")	2.50 m (8'2")	2.80 m (9'2")	2.50 m (8'2")	2.80 m (9'2")
HM4015	✓	✓	✓	✓	✓	✓
HM4815	✓	✓	✓	✓	✓	✓

#### Pin-on *(continued)*

Undercarriage	Front Outriggers; Rear Blade (Wide Undercarriage)				Front Outriggers; Rear Blade	
Counterweight	4.2 mt				3.7 mt	
Boom Type	1 PC		VA		1 PC	
Stick Length	2.50 m (8'2")	2.80 m (9'2")	2.50 m (8'2")	2.80 m (9'2")	2.50 m (8'2")	2.80 m (9'2")
HM4015	✓	✓	✓	✓	✓	✓
HM4815	✓	✓	✓	✓	✓	✓

#### Pin-on *(continued)*

Undercarriage	Front Outriggers; Rear Blade					
Counterweight	3.7 mt			4.2 mt		
Boom Type	VA		1 PC		VA	
Stick Length	2.50 m (8'2")	2.80 m (9'2")	2.50 m (8'2")	2.80 m (9'2")	2.50 m (8'2")	2.80 m (9'2")
HM4015	✓	✓	✓	✓	✓	✓
HM4815	✓	✓	✓	✓	✓	✓

#### Pin-on *(continued)*

Undercarriage	Rear Blade					
Counterweight	3.7 mt				4.2 mt	
Boom Type	1 PC		VA		1 PC	
Stick Length	2.50 m (8'2")	2.80 m (9'2")	2.50 m (8'2")	2.80 m (9'2")	2.50 m (8'2")	2.80 m (9'2")
HM4015	✓	✓*	✓	✓*	✓	✓
HM4815	✓	✓*	✓	✓*	✓	✓

*(continued on next page)*



## Matching – Wheeled Excavators *(continued)*

 Match

 \* Working Range Front Only

 No Match

### M320F *(continued)*

#### Pin-on *(continued)*

Undercarriage	Rear Blade		Rear Blade (Wide Undercarriage)			
Counterweight	4.2 mt		3.7 mt			
Boom Type	VA		1 PC		VA	
Stick Length	2.50 m (8'2")	2.80 m (9'2")	2.50 m (8'2")	2.80 m (9'2")	2.50 m (8'2")	2.80 m (9'2")
HM4015	✓	✓	✓	✓	✓	✓
HM4815	✓	✓	✓	✓	✓	✓

#### Pin-on *(continued)*

Undercarriage	Rear Blade (Wide Undercarriage)			
Counterweight	4.2 mt			
Boom Type	1 PC		VA	
Stick Length	2.50 m (8'2")	2.80 m (9'2")	2.50 m (8'2")	2.80 m (9'2")
HM4015	✓	✓	✓	✓
HM4815	✓	✓	✓	✓

#### Cat Pin Grabber Coupler

Undercarriage	Front and Rear Outriggers					
Counterweight	3.7 mt				4.2 mt	
Boom Type	1 PC		VA		1 PC	
Stick Length	2.50 m (8'2")	2.80 m (9'2")	2.50 m (8'2")	2.80 m (9'2")	2.50 m (8'2")	2.80 m (9'2")
HM4015	✓	✓	✓	✓	✓	✓
HM4815	✓	✓	✓	✓	✓	✓

#### Cat Pin Grabber Coupler *(continued)*

Undercarriage	Front and Rear Outriggers		Front Outriggers; Rear Blade (Wide Undercarriage)			
Counterweight	4.2 mt		3.7 mt			
Boom Type	VA		1 PC		VA	
Stick Length	2.50 m (8'2")	2.80 m (9'2")	2.50 m (8'2")	2.80 m (9'2")	2.50 m (8'2")	2.80 m (9'2")
HM4015	✓	✓	✓	✓	✓	✓
HM4815	✓	✓	✓	✓	✓	✓

#### Cat Pin Grabber Coupler *(continued)*

Undercarriage	Front Outriggers; Rear Blade (Wide Undercarriage)				Front Outriggers; Rear Blade	
Counterweight	4.2 mt				3.7 mt	
Boom Type	1 PC		VA		1 PC	
Stick Length	2.50 m (8'2")	2.80 m (9'2")	2.50 m (8'2")	2.80 m (9'2")	2.50 m (8'2")	2.80 m (9'2")
HM4015	✓	✓	✓	✓	✓	✓
HM4815	✓	✓	✓	✓	✓	✓

#### Cat Pin Grabber Coupler *(continued)*

Undercarriage	Front Outriggers; Rear Blade					
Counterweight	3.7 mt			4.2 mt		
Boom Type	VA		1 PC		VA	
Stick Length	2.50 m (8'2")	2.80 m (9'2")	2.50 m (8'2")	2.80 m (9'2")	2.50 m (8'2")	2.80 m (9'2")
HM4015	✓	✓	✓	✓	✓	✓
HM4815	✓	✓	✓	✓	✓	✓

*(continued on next page)*

# Mulchers Technical Specifications

## Matching – Wheeled Excavators (continued)

 Match

 \* Working Range Front Only

 No Match

### M320F (continued)

#### Cat Pin Grabber Coupler (continued)

Undercarriage	Rear Blade (Wide Undercarriage)				
	3.7 mt	4.2 mt			
Counterweight	1 PC		VA		
Boom Type	1 PC	1 PC		VA	
Stick Length	2.50 m (8'2")	2.50 m (8'2")	2.80 m (9'2")	2.50 m (8'2")	2.80 m (9'2")
HM4015	✓*	✓	✓*	✓	✓*
HM4815	✓*	✓	✓*	✓	✓*

### M320 (Build: 05)

#### Pin-on

Undercarriage	Front and Rear Outriggers		Front Blade; Rear Outriggers		Front Outriggers; Rear Blade	
Counterweight	4.8 mt		4.8 mt		4.8 mt	
Boom Type	1 PC		1 PC		1 PC	
Stick Length	2.50 m (8'2")	2.90 m (9'6")	2.50 m (8'2")	2.90 m (9'6")	2.50 m (8'2")	2.90 m (9'6")
HM4015	✓	✓	✓	✓	✓	✓
HM4815	✓	✓	✓	✓	✓	✓

#### Pin-on (continued)

Undercarriage	Front Outriggers; Rear Blade (Wide Undercarriage)		Rear Blade		Rear Blade (Wide Undercarriage)	
Counterweight	4.8 mt		4.8 mt		4.8 mt	
Boom Type	1 PC		1 PC		1 PC	
Stick Length	2.50 m (8'2")	2.90 m (9'6")	2.50 m (8'2")	2.90 m (9'6")	2.50 m (8'2")	2.90 m (9'6")
HM4015	✓	✓	✓	✓	✓	✓
HM4815	✓	✓	✓	✓	✓	✓

#### Cat Pin Grabber Coupler

Undercarriage	Front and Rear Outriggers		Front Blade; Rear Outriggers			
Counterweight	4.8 mt		4.8 mt			
Boom Type	1 PC		1 PC			
Stick Length	2.50 m (8'2")	2.90 m (9'6")	2.50 m (8'2")	2.90 m (9'6")	2.50 m (8'2")	2.90 m (9'6")
HM4015	✓	✓	✓	✓	✓	✓
HM4815	✓	✓	✓	✓	✓	✓

#### Cat Pin Grabber Coupler (continued)

Undercarriage	Front Outriggers; Rear Blade (Wide Undercarriage)		Rear Blade	Rear Blade (Wide Undercarriage)	
Counterweight	4.8 mt		4.8 mt	4.8 mt	
Boom Type	1 PC		1 PC	1 PC	
Stick Length	2.50 m (8'2")	2.90 m (9'6")	2.50 m (8'2")	2.50 m (8'2")	2.90 m (9'6")
HM4015	✓	✓	✓*	✓	✓*
HM4815	✓	✓	✓*	✓	✓*

### M320 (Build: 07)

#### Pin-on

Undercarriage	Front and Rear Outriggers				Front Blade; Rear Outriggers	
Counterweight	4.2 mt				4.2 mt	
Boom Type	1 PC		VA		1 PC	
Stick Length	2.50 m (8'2")	2.90 m (9'6")	2.50 m (8'2")	2.90 m (9'6")	2.50 m (8'2")	2.90 m (9'6")
HM4015	✓	✓	✓	✓	✓	✓
HM4815	✓	✓	✓	✓	✓	✓

(continued on next page)

# Mulchers Technical Specifications

## Matching – Wheeled Excavators *(continued)*

 Match

 \* Working Range Front Only

 No Match

### M320 (Build: 07) *(continued)*

#### Pin-on *(continued)*

Undercarriage	Front Blade; Rear Outriggers		Front Outriggers; Rear Blade			
Counterweight	4.2 mt		4.2 mt			
Boom Type	VA		1 PC		VA	
Stick Length	2.50 m (8'2")	2.90 m (9'6")	2.50 m (8'2")	2.90 m (9'6")	2.50 m (8'2")	2.90 m (9'6")
HM4015	✓	✓	✓	✓	✓	✓
HM4815	✓	✓	✓	✓	✓	✓

#### Pin-on *(continued)*

Undercarriage	Front Outriggers; Rear Blade (Wide Undercarriage)				Rear Blade	
Counterweight	4.2 mt				4.2 mt	
Boom Type	1 PC		VA		1 PC	
Stick Length	2.50 m (8'2")	2.90 m (9'6")	2.50 m (8'2")	2.90 m (9'6")	2.50 m (8'2")	2.90 m (9'6")
HM4015	✓	✓	✓	✓	✓	✓*
HM4815	✓	✓	✓	✓	✓	✓*

#### Pin-on *(continued)*

Undercarriage	Rear Blade		Rear Blade (Wide Undercarriage)			
Counterweight	4.2 mt		4.2 mt			
Boom Type	VA		1 PC		VA	
Stick Length	2.50 m (8'2")	2.90 m (9'6")	2.50 m (8'2")	2.90 m (9'6")	2.50 m (8'2")	2.90 m (9'6")
HM4015	✓	✓	✓	✓	✓	✓
HM4815	✓	✓	✓	✓	✓	✓

#### Cat Pin Grabber Coupler

Undercarriage	Front and Rear Outriggers			Front Blade; Rear Outriggers		
Counterweight	4.2 mt			4.2 mt		
Boom Type	1 PC		VA	1 PC		VA
Stick Length	2.50 m (8'2")	2.90 m (9'6")	2.50 m (8'2")	2.50 m (8'2")	2.90 m (9'6")	2.50 m (8'2")
HM4015	✓	✓	✓	✓	✓	✓
HM4815	✓	✓	✓	✓	✓	✓

#### Cat Pin Grabber Coupler *(continued)*

Undercarriage	Front Outriggers; Rear Blade			Front Outriggers; Rear Blade (Wide Undercarriage)		
Counterweight	4.2 mt			4.2 mt		
Boom Type	1 PC		VA	1 PC		VA
Stick Length	2.50 m (8'2")	2.90 m (9'6")	2.50 m (8'2")	2.50 m (8'2")	2.90 m (9'6")	2.50 m (8'2")
HM4015	✓	✓	✓	✓	✓	✓
HM4815	✓	✓	✓	✓	✓	✓

#### Cat Pin Grabber Coupler *(continued)*

Undercarriage	Rear Blade (Wide Undercarriage)	
Counterweight	4.2 mt	
Boom Type	1 PC	VA
Stick Length	2.50 m (8'2")	2.50 m (8'2")
HM4015	✓*	✓
HM4815	✓*	✓

*(continued on next page)*

# Mulchers Technical Specifications

## Matching – Wheeled Excavators *(continued)*

 Match

 \* Working Range Front Only

 No Match

### M322F

#### Pin-on

Undercarriage	Front and Rear Outriggers					
Counterweight	3.5 mt				4.7 mt	
Boom Type	1 PC		VA		1 PC	
Stick Length	2.50 m (8'2")	2.90 m (9'6")	2.50 m (8'2")	2.90 m (9'6")	2.50 m (8'2")	2.90 m (9'6")
HM4015	✓	✓	✓	✓	✓	✓
HM4815	✓	✓	✓	✓	✓	✓

#### Pin-on *(continued)*

Undercarriage	Front and Rear Outriggers			Front Blade; Rear Outriggers		
Counterweight	4.7 mt			3.5 mt		
Boom Type	VA		1 PC		VA	
Stick Length	2.50 m (8'2")	2.90 m (9'6")	2.50 m (8'2")	2.90 m (9'6")	2.50 m (8'2")	2.90 m (9'6")
HM4015	✓	✓	✓	✓	✓	✓
HM4815	✓	✓	✓	✓	✓	✓

#### Pin-on *(continued)*

Undercarriage	Front Blade; Rear Outriggers				Front Outriggers; Rear Blade	
Counterweight	4.7 mt				3.5 mt	
Boom Type	1 PC		VA		1 PC	
Stick Length	2.50 m (8'2")	2.90 m (9'6")	2.50 m (8'2")	2.90 m (9'6")	2.50 m (8'2")	2.90 m (9'6")
HM4015	✓	✓	✓	✓	✓	✓
HM4815	✓	✓	✓	✓	✓	✓

#### Pin-on *(continued)*

Undercarriage	Front Outriggers; Rear Blade					
Counterweight	3.5 mt			4.7 mt		
Boom Type	VA		1 PC		VA	
Stick Length	2.50 m (8'2")	2.90 m (9'6")	2.50 m (8'2")	2.90 m (9'6")	2.50 m (8'2")	2.90 m (9'6")
HM4015	✓	✓	✓	✓	✓	✓
HM4815	✓	✓	✓	✓	✓	✓

#### Pin-on *(continued)*

Undercarriage	Rear Blade			
Counterweight	3.5 mt			
Boom Type	1 PC		VA	
Stick Length	2.50 m (8'2")	2.90 m (9'6")	2.50 m (8'2")	2.90 m (9'6")
HM4015	✓	✓*	✓	✓*
HM4815	✓	✓*	✓	✓*

#### Pin-on *(continued)*

Undercarriage	Rear Blade			
Counterweight	4.7 mt			
Boom Type	1 PC		VA	
Stick Length	2.50 m (8'2")	2.90 m (9'6")	2.50 m (8'2")	2.90 m (9'6")
HM4015	✓	✓	✓	✓
HM4815	✓	✓	✓	✓

*(continued on next page)*

## Matching – Wheeled Excavators *(continued)*

 Match

 \* Working Range Front Only

 No Match

### M322F *(continued)*

#### Cat Pin Grabber Coupler

Undercarriage	Front and Rear Outriggers				Front Blade; Rear Outriggers	
	3.5 mt		4.7 mt		3.5 mt	
Counterweight						
Boom Type	1 PC	VA	1 PC	VA	1 PC	VA
Stick Length	2.50 m (8'2")	2.50 m (8'2")	2.50 m (8'2")	2.50 m (8'2")	2.50 m (8'2")	2.50 m (8'2")
HM4015	✓	✓	✓	✓	✓	✓
HM4815	✓	✓	✓	✓	✓	✓

#### Cat Pin Grabber Coupler *(continued)*

Undercarriage	Front Blade; Rear Outriggers		Front Outriggers; Rear Blade			
	4.7 mt		3.5 mt		4.7 mt	
Counterweight						
Boom Type	1 PC	VA	1 PC	VA	1 PC	VA
Stick Length	2.50 m (8'2")	2.50 m (8'2")	2.50 m (8'2")	2.50 m (8'2")	2.50 m (8'2")	2.50 m (8'2")
HM4015	✓	✓	✓	✓	✓	✓
HM4815	✓	✓	✓	✓	✓	✓

#### Cat Pin Grabber Coupler *(continued)*

Undercarriage	Rear Blade	
	4.7 mt	
Counterweight		
Boom Type	1 PC	VA
Stick Length	2.50 m (8'2")	2.50 m (8'2")
HM4015	✓	✓
HM4815	✓	✓

### M322

#### Pin-on

Undercarriage	Front and Rear Outriggers		Front Blade; Rear Outriggers	
	4.7 mt		4.7 mt	
Counterweight				
Boom Type	VA		VA	
Stick Length	2.50 m (8'2")	2.90 m (9'6")	2.50 m (8'2")	2.90 m (9'6")
HM4015	✓	✓	✓	✓
HM4815	✓	✓	✓	✓

#### Pin-on *(continued)*

Undercarriage	Front Outriggers; Rear Blade		Rear Blade	
	4.7 mt		4.7 mt	
Counterweight				
Boom Type	VA		VA	
Stick Length	2.50 m (8'2")	2.90 m (9'6")	2.50 m (8'2")	2.90 m (9'6")
HM4015	✓	✓	✓	✓
HM4815	✓	✓	✓	✓

#### Cat Pin Grabber Coupler

Undercarriage	Front and Rear Outriggers	Front Blade; Rear Outriggers	Front Outriggers; Rear Blade	Rear Blade
	4.7 mt	4.7 mt	4.7 mt	4.7 mt
Counterweight				
Boom Type	VA	VA	VA	VA
Stick Length	2.50 m (8'2")	2.50 m (8'2")	2.50 m (8'2")	2.50 m (8'2")
HM4015	✓	✓	✓	✓
HM4815	✓	✓	✓	✓

# Mulchers Technical Specifications

## Matching – Material Handlers

 Match

 \* Working Range Front Only

 No Match

### MH3022 (Build: 06)

#### Pin-on

Undercarriage	Front and Rear Outriggers					
Counterweight	3.7 mt					
Boom Type	1 PC		VA		MH (5.35 m)	MH (6.4 m)
Stick Length	2.50 m (8'2")	2.80 m (9'2")	2.50 m (8'2")	2.80 m (9'2")	4.20 m (13'9")	4.20 m (13'9")
HM4015	✓	✓	✓	✓	✓	✓
HM4815	✓	✓	✓	✓	✓	✓

#### Pin-on (continued)

Undercarriage	Front and Rear Outriggers					
Counterweight	4.2 mt					
Boom Type	1 PC		VA		MH (5.35 m)	MH (6.4 m)
Stick Length	2.50 m (8'2")	2.80 m (9'2")	2.50 m (8'2")	2.80 m (9'2")	4.20 m (13'9")	4.20 m (13'9")
HM4015	✓	✓	✓	✓	✓	✓
HM4815	✓	✓	✓	✓	✓	✓

#### Pin-on (continued)

Undercarriage	Front Outriggers; Rear Blade					
Counterweight	3.7 mt					
Boom Type	1 PC		VA		MH (5.35 m)	MH (6.4 m)
Stick Length	2.50 m (8'2")	2.80 m (9'2")	2.50 m (8'2")	2.80 m (9'2")	4.20 m (13'9")	4.20 m (13'9")
HM4015	✓	✓	✓	✓	✓	✓
HM4815	✓	✓	✓	✓	✓	✓

#### Pin-on (continued)

Undercarriage	Front Outriggers; Rear Blade					
Counterweight	4.2 mt					
Boom Type	1 PC		VA		MH (5.35 m)	MH (6.4 m)
Stick Length	2.50 m (8'2")	2.80 m (9'2")	2.50 m (8'2")	2.80 m (9'2")	4.20 m (13'9")	4.20 m (13'9")
HM4015	✓	✓	✓	✓	✓	✓
HM4815	✓	✓	✓	✓	✓	✓

#### Pin-on (continued)

Undercarriage	MH (2.55 m)					
Counterweight	3.7 mt					
Boom Type	1 PC		VA		MH (5.35 m)	MH (6.4 m)
Stick Length	2.50 m (8'2")	2.80 m (9'2")	2.50 m (8'2")	2.80 m (9'2")	4.20 m (13'9")	4.20 m (13'9")
HM4015	✓	✓	✓	✓	✓	✓
HM4815	✓	✓	✓	✓	✓	✓

#### Pin-on (continued)

Undercarriage	MH (2.55 m)					
Counterweight	4.2 mt					
Boom Type	1 PC		VA		MH (5.35 m)	MH (6.4 m)
Stick Length	2.50 m (8'2")	2.80 m (9'2")	2.50 m (8'2")	2.80 m (9'2")	4.20 m (13'9")	4.20 m (13'9")
HM4015	✓	✓	✓	✓	✓	✓
HM4815	✓	✓	✓	✓	✓	✓

(continued on next page)

# Mulchers Technical Specifications

## Matching – Material Handlers *(continued)*

 Match

 \* Working Range Front Only

 No Match

### MH3022 (Build: 06) *(continued)*

#### Pin-on *(continued)*

Undercarriage	MH (2.99 m)					
Counterweight	3.7 mt					
Boom Type	1 PC		VA		MH (5.35 m)	MH (6.4 m)
Stick Length	2.50 m (8'2")	2.80 m (9'2")	2.50 m (8'2")	2.80 m (9'2")	4.20 m (13'9")	4.20 m (13'9")
HM4015	✓	✓	✓	✓	✓	✓
HM4815	✓	✓	✓	✓	✓	✓

#### Pin-on *(continued)*

Undercarriage	MH (2.99 m)					
Counterweight	4.2 mt					
Boom Type	1 PC		VA		MH (5.35 m)	MH (6.4 m)
Stick Length	2.50 m (8'2")	2.80 m (9'2")	2.50 m (8'2")	2.80 m (9'2")	4.20 m (13'9")	4.20 m (13'9")
HM4015	✓	✓	✓	✓	✓	✓
HM4815	✓	✓	✓	✓	✓	✓

#### Cat Pin Grabber Coupler

Undercarriage	Front and Rear Outriggers					
Counterweight	3.7 mt					
Boom Type	1 PC		VA		MH (5.35 m)	MH (6.4 m)
Stick Length	2.50 m (8'2")	2.80 m (9'2")	2.50 m (8'2")	2.80 m (9'2")	4.20 m (13'9")	4.20 m (13'9")
HM4015	✓	✓	✓	✓	✓	✓
HM4815	✓	✓	✓	✓	✓	✓

#### Cat Pin Grabber Coupler *(continued)*

Undercarriage	Front and Rear Outriggers					
Counterweight	4.2 mt					
Boom Type	1 PC		VA		MH (5.35 m)	MH (6.4 m)
Stick Length	2.50 m (8'2")	2.80 m (9'2")	2.50 m (8'2")	2.80 m (9'2")	4.20 m (13'9")	4.20 m (13'9")
HM4015	✓	✓	✓	✓	✓	✓
HM4815	✓	✓	✓	✓	✓	✓

#### Cat Pin Grabber Coupler *(continued)*

Undercarriage	Front Outriggers; Rear Blade					
Counterweight	3.7 mt					
Boom Type	1 PC		VA		MH (5.35 m)	MH (6.4 m)
Stick Length	2.50 m (8'2")	2.80 m (9'2")	2.50 m (8'2")	2.80 m (9'2")	4.20 m (13'9")	4.20 m (13'9")
HM4015	✓	✓	✓	✓	✓	✓*
HM4815	✓	✓	✓	✓	✓	✓*

#### Cat Pin Grabber Coupler *(continued)*

Undercarriage	Front Outriggers; Rear Blade					
Counterweight	4.2 mt					
Boom Type	1 PC		VA		MH (5.35 m)	MH (6.4 m)
Stick Length	2.50 m (8'2")	2.80 m (9'2")	2.50 m (8'2")	2.80 m (9'2")	4.20 m (13'9")	4.20 m (13'9")
HM4015	✓	✓	✓	✓	✓	✓
HM4815	✓	✓	✓	✓	✓	✓

*(continued on next page)*

# Mulchers Technical Specifications

## Matching – Material Handlers *(continued)*

 Match

 \* Working Range Front Only

 No Match

### MH3022 (Build: 06) *(continued)*

#### Cat Pin Grabber Coupler *(continued)*

Undercarriage	MH (2.55 m)					
Counterweight	3.7 mt					
Boom Type	1 PC		VA		MH (5.35 m)	MH (6.4 m)
Stick Length	2.50 m (8'2")	2.80 m (9'2")	2.50 m (8'2")	2.80 m (9'2")	4.20 m (13'9")	4.20 m (13'9")
HM4015	✓	✓	✓	✓	✓	✓
HM4815	✓	✓	✓	✓	✓	✓

#### Cat Pin Grabber Coupler *(continued)*

Undercarriage	MH (2.55 m)					
Counterweight	4.2 mt					
Boom Type	1 PC		VA		MH (5.35 m)	MH (6.4 m)
Stick Length	2.50 m (8'2")	2.80 m (9'2")	2.50 m (8'2")	2.80 m (9'2")	4.20 m (13'9")	4.20 m (13'9")
HM4015	✓	✓	✓	✓	✓	✓
HM4815	✓	✓	✓	✓	✓	✓

#### Cat Pin Grabber Coupler *(continued)*

Undercarriage	MH (2.99 m)					
Counterweight	3.7 mt					
Boom Type	1 PC		VA		MH (5.35 m)	MH (6.4 m)
Stick Length	2.50 m (8'2")	2.80 m (9'2")	2.50 m (8'2")	2.80 m (9'2")	4.20 m (13'9")	4.20 m (13'9")
HM4015	✓	✓	✓	✓	✓	✓
HM4815	✓	✓	✓	✓	✓	✓

#### Cat Pin Grabber Coupler *(continued)*

Undercarriage	MH (2.99 m)					
Counterweight	4.2 mt					
Boom Type	1 PC		VA		MH (5.35 m)	MH (6.4 m)
Stick Length	2.50 m (8'2")	2.80 m (9'2")	2.50 m (8'2")	2.80 m (9'2")	4.20 m (13'9")	4.20 m (13'9")
HM4015	✓	✓	✓	✓	✓	✓
HM4815	✓	✓	✓	✓	✓	✓

### MH3022 (Build: 07)

#### Pin-on

Undercarriage	MH (2.55 m)					
Counterweight	3.7 mt					
Boom Type	1 PC		VA		MH (5.35 m)	MH (6.40 m)
Stick Length	2.50 m (8'2")	2.90 m (9'6")	2.50 m (8'2")	2.90 m (9'6")	4.30 m (14'1")	4.30 m (14'1")
HM4015	✓	✓	✓	✓	✓	✓
HM4815	✓	✓	✓	✓	✓	✓

#### Cat Pin Grabber Coupler

Undercarriage	MH (2.55 m)					
Counterweight	3.7 mt					
Boom Type	1 PC		VA	MH (5.35 m)	MH (6.40 m)	
Stick Length	2.50 m (8'2")	2.90 m (9'6")	2.50 m (8'2")	4.30 m (14'1")	4.30 m (14'1")	
HM4015	✓	✓	✓	✓	✓	
HM4815	✓	✓	✓	✓	✓	

*(continued on next page)*



# Mulchers Technical Specifications

## Matching – Material Handlers *(continued)*

 Match

 \* Working Range Front Only

 No Match

### MH3024 (Build: 06)

#### Pin-on Attachments

Undercarriage	Front and Rear Outriggers				
Counterweight	4.1 mt				
Boom Type	1 PC		VA		MH (6.8 m)
Stick Length	2.50 m (8'2")	2.90 m (9'6")	2.50 m (8'2")	2.90 m (9'6")	4.80 m (15'9")
HM4015	✓	✓	✓	✓	✓
HM4815	✓	✓	✓	✓	✓

#### Pin-on Attachments *(continued)*

Undercarriage	Front and Rear Outriggers				
Counterweight	5.2 mt				
Boom Type	1 PC		VA		MH (6.8 m)
Stick Length	2.50 m (8'2")	2.90 m (9'6")	2.50 m (8'2")	2.90 m (9'6")	4.80 m (15'9")
HM4015	✓	✓	✓	✓	✓
HM4815	✓	✓	✓	✓	✓

#### Pin-on Attachments *(continued)*

Undercarriage	Front Outriggers; Rear Blade				
Counterweight	4.1 mt				
Boom Type	1 PC		VA		MH (6.8 m)
Stick Length	2.50 m (8'2")	2.90 m (9'6")	2.50 m (8'2")	2.90 m (9'6")	4.80 m (15'9")
HM4015	✓	✓	✓	✓	✓
HM4815	✓	✓	✓	✓	✓

#### Pin-on Attachments *(continued)*

Undercarriage	Front Outriggers; Rear Blade				
Counterweight	5.2 mt				
Boom Type	1 PC		VA		MH (6.8 m)
Stick Length	2.50 m (8'2")	2.90 m (9'6")	2.50 m (8'2")	2.90 m (9'6")	4.80 m (15'9")
HM4015	✓	✓	✓	✓	✓
HM4815	✓	✓	✓	✓	✓

#### Pin-on Attachments *(continued)*

Undercarriage	MH (2.99 m)				
Counterweight	4.1 mt				
Boom Type	1 PC		VA		MH (6.8 m)
Stick Length	2.50 m (8'2")	2.90 m (9'6")	2.50 m (8'2")	2.90 m (9'6")	4.80 m (15'9")
HM4015	✓	✓	✓	✓	✓
HM4815	✓	✓	✓	✓	✓

#### Pin-on Attachments *(continued)*

Undercarriage	MH (2.99 m)				
Counterweight	5.2 mt				
Boom Type	1 PC		VA		MH (6.8 m)
Stick Length	2.50 m (8'2")	2.90 m (9'6")	2.50 m (8'2")	2.90 m (9'6")	4.80 m (15'9")
HM4015	✓	✓	✓	✓	✓
HM4815	✓	✓	✓	✓	✓

*(continued on next page)*

# Mulchers Technical Specifications

## Matching – Material Handlers *(continued)*

 Match

 \* Working Range Front Only

 No Match

### MH3024 (Build: 06) *(continued)*

#### Cat Pin Grabber Coupler

Undercarriage	Front and Rear Outriggers			
Counterweight	4.1 mt			
Boom Type	1 PC		VA	MH (6.8 m)
Stick Length	2.50 m (8'2")	2.90 m (9'6")	2.50 m (8'2")	4.80 m (15'9")
HM4015	✓	✓	✓	✓
HM4815	✓		✓	✓

#### Cat Pin Grabber Coupler *(continued)*

Undercarriage	Front and Rear Outriggers			
Counterweight	5.2 mt			
Boom Type	1 PC		VA	MH (6.8 m)
Stick Length	2.50 m (8'2")	2.90 m (9'6")	2.50 m (8'2")	4.80 m (15'9")
HM4015	✓	✓	✓	✓
HM4815	✓		✓	✓

#### Cat Pin Grabber Coupler *(continued)*

Undercarriage	Front Outriggers; Rear Blade		
Counterweight	4.1 mt		
Boom Type	1 PC		VA
Stick Length	2.50 m (8'2")	2.90 m (9'6")	2.50 m (8'2")
HM4015	✓	✓	✓
HM4815	✓		✓

#### Cat Pin Grabber Coupler *(continued)*

Undercarriage	Front Outriggers; Rear Blade			
Counterweight	5.2 mt			
Boom Type	1 PC		VA	MH (6.8 m)
Stick Length	2.50 m (8'2")	2.90 m (9'6")	2.50 m (8'2")	4.80 m (15'9")
HM4015	✓	✓	✓	✓*
HM4815	✓		✓	✓*

#### Cat Pin Grabber Coupler *(continued)*

Undercarriage	MH (2.99 m)			
Counterweight	4.1 mt			
Boom Type	1 PC		VA	MH (6.8 m)
Stick Length	2.50 m (8'2")	2.90 m (9'6")	2.50 m (8'2")	4.80 m (15'9")
HM4015	✓	✓	✓	✓
HM4815	✓		✓	✓

#### Cat Pin Grabber Coupler *(continued)*

Undercarriage	MH (2.99 m)			
Counterweight	5.2 mt			
Boom Type	1 PC		VA	MH (6.8 m)
Stick Length	2.50 m (8'2")	2.90 m (9'6")	2.50 m (8'2")	4.80 m (15'9")
HM4015	✓	✓	✓	✓
HM4815	✓		✓	✓

*(continued on next page)*

## Matching – Material Handlers *(continued)*

 Match

 \* Working Range Front Only

 No Match

### MH3024 (Build: 06C)

#### Pin-on Attachments

Undercarriage	Front Blade; Rear Outriggers				
Counterweight	4.2 mt				
Boom Type	1 PC		VA		MH (6.4 m)
Stick Length	2.50 m (8'2")	2.80 m (9'2")	2.50 m (8'2")	2.80 m (9'2")	4.20 m (13'9")
HM4015	✓	✓	✓	✓	✓
HM4815	✓	✓	✓	✓	✓

#### Pin-on Attachments *(continued)*

Undercarriage	Front Outriggers; Rear Blade				
Counterweight	4.2 mt				
Boom Type	1 PC		VA		MH (6.4 m)
Stick Length	2.50 m (8'2")	2.80 m (9'2")	2.50 m (8'2")	2.80 m (9'2")	4.20 m (13'9")
HM4015	✓	✓	✓	✓	✓
HM4815	✓	✓	✓	✓	✓

#### Pin-on Attachments *(continued)*

Undercarriage	MH (2.75 m)				
Counterweight	4.2 mt				
Boom Type	1 PC		VA		MH (6.4 m)
Stick Length	2.50 m (8'2")	2.80 m (9'2")	2.50 m (8'2")	2.80 m (9'2")	4.20 m (13'9")
HM4015	✓	✓	✓	✓	✓
HM4815	✓	✓	✓	✓	✓

#### Pin-on Attachments *(continued)*

Undercarriage	MH (2.99 m)				
Counterweight	4.2 mt				
Boom Type	1 PC		VA		MH (6.4 m)
Stick Length	2.50 m (8'2")	2.80 m (9'2")	2.50 m (8'2")	2.80 m (9'2")	4.20 m (13'9")
HM4015	✓	✓	✓	✓	✓
HM4815	✓	✓	✓	✓	✓

#### Cat Pin Grabber Coupler

Undercarriage	Front Outriggers; Rear Blade				
Counterweight	4.2 mt				
Boom Type	1 PC		VA		MH (6.4 m)
Stick Length	2.50 m (8'2")	2.80 m (9'2")	2.50 m (8'2")	2.80 m (9'2")	4.20 m (13'9")
HM4015	✓	✓	✓	✓	✓
HM4815	✓	✓	✓	✓	✓

#### Cat Pin Grabber Coupler *(continued)*

Undercarriage	Front Blade; Rear Outriggers				
Counterweight	4.2 mt				
Boom Type	1 PC		VA		MH (6.4 m)
Stick Length	2.50 m (8'2")	2.80 m (9'2")	2.50 m (8'2")	2.80 m (9'2")	4.20 m (13'9")
HM4015	✓	✓	✓	✓	✓
HM4815	✓	✓	✓	✓	✓

*(continued on next page)*

# Mulchers Technical Specifications

## Matching – Material Handlers *(continued)*

 Match

 \* Working Range Front Only

 No Match

### MH3024 (Build: 06C) *(continued)*

#### Cat Pin Grabber Coupler *(continued)*

Undercarriage	MH (2.75 m)				
Counterweight	4.2 mt				
Boom Type	1 PC		VA		MH (6.4 m)
Stick Length	2.50 m (8'2")	2.80 m (9'2")	2.50 m (8'2")	2.80 m (9'2")	4.20 m (13'9")
HM4015	✓	✓	✓	✓	✓
HM4815	✓	✓	✓	✓	✓

#### Cat Pin Grabber Coupler *(continued)*

Undercarriage	MH (2.99 m)				
Counterweight	4.2 mt				
Boom Type	1 PC		VA		MH (6.4 m)
Stick Length	2.50 m (8'2")	2.80 m (9'2")	2.50 m (8'2")	2.80 m (9'2")	4.20 m (13'9")
HM4015	✓	✓	✓	✓	✓
HM4815	✓	✓	✓	✓	✓

### MH3024 (Build: 07)

#### Pin-on Attachments

Undercarriage	Front Blade; Rear Outriggers			
Counterweight	4.2 mt			
Boom Type	1 PC		VA	
Stick Length	2.50 m (8'2")	2.90 m (9'6")	2.50 m (8'2")	2.90 m (9'6")
HM4015	✓	✓	✓	✓
HM4815	✓	✓	✓	✓

#### Pin-on Attachments *(continued)*

Undercarriage	Front Outriggers; Rear Blade			
Counterweight	4.2 mt			
Boom Type	1 PC		VA	
Stick Length	2.50 m (8'2")	2.90 m (9'6")	2.50 m (8'2")	2.90 m (9'6")
HM4015	✓	✓	✓	✓
HM4815	✓	✓	✓	✓

#### Pin-on Attachments *(continued)*

Undercarriage	MH (2.75 m)					
Counterweight	4.2 mt					4.7 mt
Boom Type	1 PC		VA		MH (6.40 m)	MH (6.40 m)
Stick Length	2.50 m (8'2")	2.90 m (9'6")	2.50 m (8'2")	2.90 m (9'6")	4.30 m (14'1")	4.30 m (14'1")
HM4015	✓	✓	✓	✓	✓	✓
HM4815	✓	✓	✓	✓	✓	✓

*(continued on next page)*

## Matching – Material Handlers *(continued)*

 Match

 \* Working Range Front Only

 No Match

### MH3024 (Build: 07) *(continued)*

#### Pin-on Attachments *(continued)*

Undercarriage	MH (2.75 m)				
Counterweight	4.7 mt				
Boom Type	MH (7.45 m)	1 PC		VA	
Stick Length	4.30 m (14'1")	2.50 m (8'2")	2.90 m (9'6")	2.50 m (8'2")	2.90 m (9'6")
HM4015	✓	✓	✓	✓	✓
HM4815	✓	✓	✓	✓	✓

#### Pin-on Attachments *(continued)*

Undercarriage	MH (2.99 m)		
Counterweight	4.2 mt		
Boom Type	MH (6.40 m)	MH (7.45 m)	
Stick Length	4.30 m (14'1")	4.30 m (14'1")	
HM4015	✓	✓	✓
HM4815	✓	✓	✓

#### Cat Pin Grabber Coupler

Undercarriage	Front Outriggers; Rear Blade			Front Blade; Rear Outriggers		
Counterweight	4.2 mt			4.2 mt		
Boom Type	1 PC		VA	1 PC		VA
Stick Length	2.50 m (8'2")	2.90 m (9'6")	2.50 m (8'2")	2.50 m (8'2")	2.90 m (9'6")	2.50 m (8'2")
HM4015	✓	✓	✓	✓	✓	✓
HM4815	✓	✓	✓	✓	✓	✓

#### Cat Pin Grabber Coupler *(continued)*

Undercarriage	MH (2.75 m)					
Counterweight	4.2 mt			4.7 mt		
Boom Type	1 PC		VA	MH (6.40 m)	MH (6.40 m)	MH (7.45 m)
Stick Length	2.50 m (8'2")	2.90 m (9'6")	2.50 m (8'2")	4.30 m (14'1")	4.30 m (14'1")	4.30 m (14'1")
HM4015	✓	✓	✓	✓	✓	✓
HM4815	✓	✓	✓	✓	✓	✓

#### Cat Pin Grabber Coupler *(continued)*

Undercarriage	MH (2.99 m)					
Counterweight	4.2 mt			4.7 mt		
Boom Type	1 PC		VA	MH (6.40 m)	MH (6.40 m)	MH (7.45 m)
Stick Length	2.50 m (8'2")	2.90 m (9'6")	2.50 m (8'2")	4.30 m (14'1")	4.30 m (14'1")	4.30 m (14'1")
HM4015	✓	✓	✓	✓	✓	✓
HM4815	✓	✓	✓	✓	✓	✓

### MH3026 (Build: 06C)

#### Pin-on Attachments

Undercarriage	Front Blade; Rear Outriggers				
Counterweight	5.2 mt				
Boom Type	1 PC		VA		MH (6.8 m)
Stick Length	2.50 m (8'2")	2.90 m (9'6")	2.50 m (8'2")	2.90 m (9'6")	4.80 m (15'9")
HM4015	✓	✓	✓	✓	✓
HM4815	✓	✓	✓	✓	✓

*(continued on next page)*

# Mulchers Technical Specifications

## Matching – Material Handlers *(continued)*

Match

\* Working Range Front Only

No Match

### MH3026 (Build: 06C) *(continued)*

#### Pin-on Attachments *(continued)*

Undercarriage	Front Outriggers; Rear Blade				
Counterweight	5.2 mt				
Boom Type	1 PC		VA		MH (6.8 m)
Stick Length	2.50 m (8'2")	2.90 m (9'6")	2.50 m (8'2")	2.90 m (9'6")	4.80 m (15'9")
HM4015	✓	✓	✓	✓	✓
HM4815	✓	✓	✓	✓	✓

#### Pin-on Attachments *(continued)*

Undercarriage	MH (2.75 m)				
Counterweight	5.2 mt				
Boom Type	1 PC		VA		MH (6.8 m)
Stick Length	2.50 m (8'2")	2.90 m (9'6")	2.50 m (8'2")	2.90 m (9'6")	4.80 m (15'9")
HM4015	✓	✓	✓	✓	✓
HM4815	✓	✓	✓	✓	✓

#### Pin-on Attachments *(continued)*

Undercarriage	MH (2.99 m)				
Counterweight	5.2 mt				
Boom Type	1 PC		VA		MH (6.8 m)
Stick Length	2.50 m (8'2")	2.90 m (9'6")	2.50 m (8'2")	2.90 m (9'6")	4.80 m (15'9")
HM4015	✓	✓	✓	✓	✓
HM4815	✓	✓	✓	✓	✓

#### Cat Pin Grabber Coupler

Undercarriage	Front Outriggers; Rear Blade			
Counterweight	5.2 mt			
Boom Type	1 PC		VA	MH (6.8 m)
Stick Length	2.50 m (8'2")	2.90 m (9'6")	2.50 m (8'2")	4.80 m (15'9")
HM4015	✓	✓	✓	✓*
HM4815	✓		✓	✓*

#### Cat Pin Grabber Coupler *(continued)*

Undercarriage	Front Blade; Rear Outriggers			
Counterweight	5.2 mt			
Boom Type	1 PC		VA	MH (6.8 m)
Stick Length	2.50 m (8'2")	2.90 m (9'6")	2.50 m (8'2")	4.80 m (15'9")
HM4015	✓	✓	✓	✓
HM4815	✓		✓	✓

#### Cat Pin Grabber Coupler *(continued)*

Undercarriage	MH (2.75 m)			
Counterweight	5.2 mt			
Boom Type	1 PC		VA	MH (6.8 m)
Stick Length	2.50 m (8'2")	2.90 m (9'6")	2.50 m (8'2")	4.80 m (15'9")
HM4015	✓	✓	✓	✓
HM4815	✓		✓	✓

*(continued on next page)*

## Matching – Material Handlers *(continued)*

 Match

 \* Working Range Front Only

 No Match

### MH3026 (Build: 06C) *(continued)*

#### Cat Pin Grabber Coupler *(continued)*

Undercarriage	MH (2.99 m)			
Counterweight	5.2 mt			
Boom Type	1 PC		VA	MH (6.8 m)
Stick Length	2.50 m (8'2")	2.90 m (9'6")	2.50 m (8'2")	4.80 m (15'9")
HM4015	✓	✓	✓	✓
HM4815	✓		✓	✓

### MH3026 (Build: 07)

#### Pin-on Attachments

Undercarriage	MH (2.99 m)
Counterweight	5.7 mt
Boom Type	MH (7.50m)
Stick Length	5.00 m (16'5")
HM4015	✓
HM4815	✓

#### Cat Pin Grabber Coupler

Undercarriage	MH (2.99 m)
Counterweight	5.7 mt
Boom Type	MH (7.50m)
Stick Length	5.00 m (16'5")
HM4015	✓
HM4815	✓

# Mulchers Technical Specifications

## Matching – Forestry Excavators

 Match

 \* Working Range Front Only

 No Match

### 538 GF

#### Pin-on

Undercarriage	L
Counterweight	5.8 mt
Boom Type	Reach
Stick Length	2.92 m (9'7")
HM4015	✓
HM4815	✓

#### Cat Pin Grabber Coupler

Undercarriage	L
Counterweight	5.8 mt
Boom Type	Reach
Stick Length	2.92 m (9'7")
HM4015	✓
HM4815	✓

### 548 GF

#### Pin-on

Undercarriage	L
Counterweight	5.0 mt
Boom Type	Reach
Stick Length	2.95 m (9'8")
HM4015	✓
HM4815	✓

#### Cat Pin Grabber Coupler

Undercarriage	L
Counterweight	5.0 mt
Boom Type	Reach
Stick Length	2.95 m (9'8")
HM4015	✓
HM4815	✓

### 558 GF

#### Pin-on

Undercarriage	L
Counterweight	5.0 mt
Boom Type	Reach
Stick Length	3.20 m (10'6")
HM5515	✓
HM6015	✓

#### Cat Pin Grabber Coupler

Undercarriage	L
Counterweight	5.0 mt
Boom Type	Reach
Stick Length	3.20 m (10'6")
HM5515	✓
HM6015	✓

GF – General Forestry configuration

(continued on next page)



## Matching – Forestry Excavators *(continued)*

Match

\* Working Range Front Only

No Match

### 568 GF

#### Pin-on

Undercarriage	L
Counterweight	8.3 mt
Boom Type	Reach
Stick Length	3.90 m (12'10")
HM5515	✓
HM6015	✓

#### Cat Pin Grabber Coupler

Undercarriage	L
Counterweight	8.3 mt
Boom Type	Reach
Stick Length	3.90 m (12'10")
HM5515	✓
HM6015	✓

GF – General Forestry configuration

# Mulchers Technical Specifications

## Teeth Options

Model	Type	Standard	Rock	Chisel
HM2615	Standard	X	X	X
HM3013	Bite Limiter			X
HM4015	Standard	X	X	X
HM4815	Bite Limiter			X
HM5515	Standard	X	X	X
HM6015	Bite Limiter			X

Tooth Type	Part No.	Description
Standard Set	475-2810	Standard Tooth
	475-2811	Side Scraper Tooth
	475-2812	Side Scraper Tooth
Rock Crushing Set	475-2813	Rock Tooth
	475-2811	Side Scraper Tooth
	475-2812	Side Scraper Tooth
Chisel Set	475-2811	Side Scraper Tooth
	475-2812	Side Scraper Tooth
	570-2133	Chisel
	570-2134	Chisel Adapter



For more complete information on Cat products, dealer services, and industry solutions, visit us on the web at [www.cat.com](http://www.cat.com)

GEJQ9378-05 (08-2023)  
Replaces GEJQ9378-04  
(Aus-NZ, Japan, N Am, S Am)

© 2023 Caterpillar  
All rights reserved

Materials and specifications are subject to change without notice. Featured machines in photos may include additional equipment. See your Cat dealer for available options.

CAT, CATERPILLAR, LET'S DO THE WORK, their respective logos, "Caterpillar Corporate Yellow," the "Power Edge" and Cat "Modern Hex" trade dress as well as corporate and product identity used herein, are trademarks of Caterpillar and may not be used without permission.

