



Multi-Processors

MP318, MP324, MP332,
MP345, MP365

Technical Specifications

Not all attachments are available in all regions. Consult your Cat® dealer for specific configurations available in your region.

Table of Contents

Specifications						2
Dimensions						5
Hydraulic Specifications						11
Matching						13
318D2.....13	323F.....21	330F.....33	336 GC.....50	349F.....65	M318F.....74	
318F.....13	323.....23	330 GC.....34	336.....52	349F XE.....66	M320D2.....77	
320D2 GC.....14	325F CR.....25	330.....36	340D2.....55	349.....67	M320F.....78	
320D2.....15	326D2.....26	335F CR.....37	340F.....57	352F.....68	M322D2.....81	
320F.....16	326F.....27	336D2 GC.....38	340F UHD.....58	352F XE.....70	M322F.....84	
320 GC.....17	329D2.....30	336D2 XE.....42	340.....61	352.....71		
320.....18	329F.....31	336F.....43	345 GC.....63	374F.....73		
323D2.....19	330D2.....31	336F XE.....47	349D2.....64	390F.....73		

Multi-Processors Technical Specifications

Specifications

Model	Housing Part Number	Jaw Type	Jaw Type Abbreviation	Jaw Part Number	Recommended Carrier Weight, Minimum		Recommended Carrier Weight, Maximum	
					kg	lb	kg	lb
MP318	381-4048	Concrete Cutter	CC	399-1968	18000	39700	25000	55100
	381-4048	Demolition	D	415-7261	18000	39700	25000	55100
	381-4048	Pulverizer	P	419-9178	18000	39700	25000	55100
	381-4048	Shear	S	399-4291	18000	39700	25000	55100
	381-4048	Universal	U	554-3285	18000	39700	25000	55100
MP324	381-4042	Concrete Cutter	CC	395-0280	24000	52900	35000	77200
	381-4042	Demolition	D	397-9681	24000	52900	35000	77200
	381-4042	Pulverizer	P	388-0000	24000	52900	35000	77200
	381-4042	Shear	S	417-0589	24000	52900	35000	77200
	381-4042	Tank Shear	TS	418-6385	24000	52900	35000	77200
	381-4042	Universal	U	524-3458	24000	52900	35000	77200
MP332	453-9680	Concrete Cutter	CC	454-5851	32000	70500	50000	110200
	453-9680	Demolition	D	459-4619	32000	70500	50000	110200
	453-9680	Pulverizer	P	459-3004	32000	70500	50000	110200
	453-9680	Shear	S	455-1469	32000	70500	50000	110200
	453-9680	Tank Shear	TS	462-4503	32000	70500	50000	110200
	453-9680	Universal	U	552-2698	32000	70500	50000	110200
MP345	461-5577	Concrete Cutter	CC	463-3817	45000	99200	65000	143300
	461-5577	Demolition	D	468-3208	45000	99200	65000	143300
	461-5577	Pulverizer	P	467-3614	45000	99200	65000	143300
	461-5577	Shear	S	465-0361	45000	99200	65000	143300
MP365	481-1702	Concrete Cutter	CC	487-0302	65000	143300	90000	198400
	481-1702	Demolition	D	487-5924	65000	143300	90000	198400
	481-1702	Pulverizer	P	491-1012	65000	143300	90000	198400
	481-1702	Shear	S	482-5133	65000	143300	90000	198400

(continued on next page)

Multi-Processors Technical Specifications

Specifications *(continued)*

Model	Housing Part Number	Jaw Type	Jaw Type Abbreviation	Jaw Part Number	Weight, Housing Only		Weight, Jaw Only		Weight, Transportation Frame Only	
					kg	lb	kg	lb	kg	lb
MP318	381-4048	Concrete Cutter	CC	399-1968	1211	2670	723	1594	91.5	201.6
	381-4048	Demolition	D	415-7261	1211	2670	732	1614	91.5	201.6
	381-4048	Pulverizer	P	419-9178	1211	2670	872	1922	91.5	201.6
	381-4048	Shear	S	399-4291	1211	2670	663	1462	91.5	201.6
	381-4048	Universal	U	554-3285	1211	2670	763	1682	91.5	201.6
MP324	381-4042	Concrete Cutter	CC	395-0280	1645	3627	1038	2288	111.0	244.7
	381-4042	Demolition	D	397-9681	1645	3627	1063	2344	111.0	244.7
	381-4042	Pulverizer	P	388-0000	1645	3627	1196	2637	111.0	244.7
	381-4042	Shear	S	417-0589	1645	3627	954	2103	111.0	244.7
	381-4042	Tank Shear	TS	418-6385	1645	3627	1128	2487	111.0	244.7
	381-4042	Universal	U	524-3458	1645	3627	1081	2383	111.0	244.7
MP332	453-9680	Concrete Cutter	CC	454-5851	1871	4125	1350	2976	191.3	421.7
	453-9680	Demolition	D	459-4619	1871	4125	1476	3254	191.3	421.7
	453-9680	Pulverizer	P	459-3004	1871	4125	1494	3294	191.3	421.7
	453-9680	Shear	S	455-1469	1871	4125	1315	2899	191.3	421.7
	453-9680	Tank Shear	TS	462-4503	1871	4125	1826	4026	191.3	421.7
	453-9680	Universal	U	552-2698	1871	4125	1494	3294	191.3	421.7
MP345	461-5577	Concrete Cutter	CC	463-3817	2345	5170	1971	4345	288.8	636.7
	461-5577	Demolition	D	468-3208	2345	5170	2192	4833	288.8	636.7
	461-5577	Pulverizer	P	467-3614	2345	5170	2234	4925	288.8	636.7
	461-5577	Shear	S	465-0361	2345	5170	1975	4354	288.8	636.7
MP365	481-1702	Concrete Cutter	CC	487-0302	3082	6795	2572	5670	319.0	703.3
	481-1702	Demolition	D	487-5924	3082	6795	3039	6700	319.0	703.3
	481-1702	Pulverizer	P	491-1012	3082	6795	3063	6753	319.0	703.3
	481-1702	Shear	S	482-5133	3082	6795	2768	6102	319.0	703.3

(continued on next page)

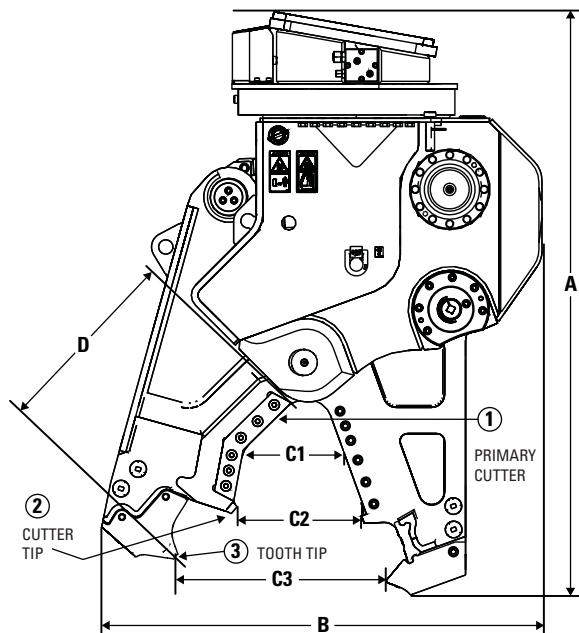
Multi-Processors Technical Specifications

Specifications (continued)

Model	Housing Part Number	Jaw Type	Jaw Type Abbreviation	Jaw Part Number	Weight, Housing and Jaw		Weight, Jaw and Transportation Frame	
					kg	lb	kg	lb
MP318	381-4048	Concrete Cutter	CC	399-1968	1934	4264	814.45	1796
	381-4048	Demolition	D	415-7261	1943	4284	823.45	1815
	381-4048	Pulverizer	P	419-9178	2083	4592	963.45	2124
	381-4048	Shear	S	399-4291	1874	4131	754.45	1663
	381-4048	Universal	U	554-3285	1974	4352	854.45	1884
MP324	381-4042	Concrete Cutter	CC	395-0280	2683	5915	1149	2533
	381-4042	Demolition	D	397-9681	2708	5970	1174	2588
	381-4042	Pulverizer	P	388-0000	2841	6263	1307	2881
	381-4042	Shear	S	417-0589	2599	5730	1065	2348
	381-4042	Tank Shear	TS	418-6385	2773	6113	1239	2732
	381-4042	Universal	U	524-3458	2726	6010	1192	2628
MP332	453-9680	Concrete Cutter	CC	454-5851	3221	7101	1541.3	3398
	453-9680	Demolition	D	459-4619	3347	7379	1667.3	3676
	453-9680	Pulverizer	P	459-3004	3365	7419	1685.3	3715
	453-9680	Shear	S	455-1469	3186	7024	1506.3	3321
	453-9680	Tank Shear	TS	462-4503	3697	8150	2017.3	4447
	453-9680	Universal	U	552-2698	3365	7419	1685.3	3715
MP345	461-5577	Concrete Cutter	CC	463-3817	4316	9515	2259.8	4982
	461-5577	Demolition	D	468-3208	4537	10002	2480.8	5469
	461-5577	Pulverizer	P	467-3614	4579	10095	2522.8	5562
	461-5577	Shear	S	465-0361	4320	9524	2263.8	4991
MP365	481-1702	Concrete Cutter	CC	487-0302	5654	12465	2891	6374
	481-1702	Demolition	D	487-5924	6121	13494	3358	7403
	481-1702	Pulverizer	P	491-1012	6145	13547	3382	7456
	481-1702	Shear	S	482-5133	5850	12897	3087	6806

Multi-Processors Technical Specifications

Dimensions – Concrete Cutter (CC) Jaw

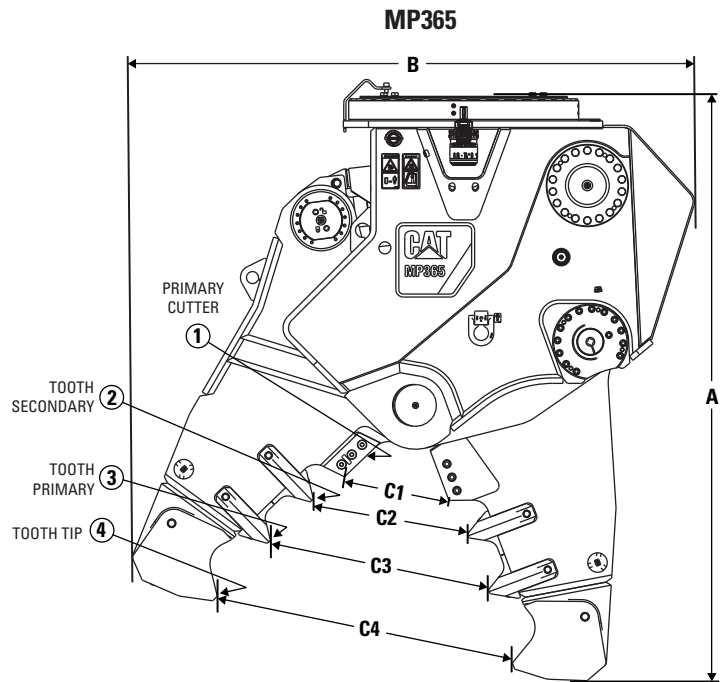
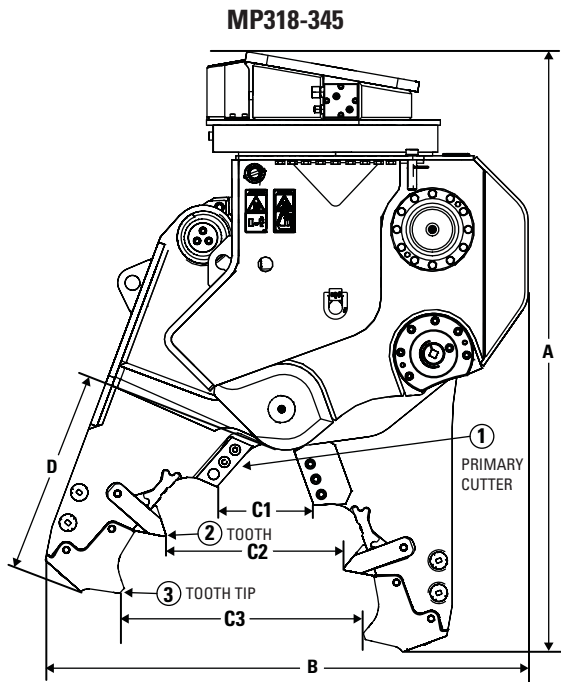


Model	(A) Length, Housing and Jaw		(B) Height, Housing and Jaw		(C1) Jaw Opening		(C2) Jaw Opening		(C3) Jaw Opening		(D) Jaw Depth		Cutter Length	
	mm	in	mm	in	mm	in	mm	in	mm	in	mm	in	mm	in
MP318	1972	77.64	1296	51.02	324	12.76	368	14.49	682	26.85	645	25.39	382	15.04
MP324	2133	83.98	1485	58.46	380	14.96	513	20.20	826	32.52	753	29.65	439	17.28
MP332	2175	85.63	1864	73.39	450	17.72	541	21.30	927	36.50	869	34.21	496	19.53
MP345	2344	92.28	2200	86.61	498	19.61	617	24.29	1023	40.28	913	35.94	501	19.72
MP365	2663	104.84	2534	99.76	668	26.30	752	29.61	1232	48.50	1051	41.38	634	24.96

Model	(1) Closing Force		(2) Closing Force		(3) Closing Force		(1) Crushing/Cutting Force		(2) Crushing/Cutting Force		(3) Crushing/Cutting Force	
	kN	st	kN	st	kN	st	kN	st	kN	st	kN	st
MP318	2325	261.33	1075	120.83	719	80.82	2622	294.71	1158	130.16	802	90.14
MP324	3202	359.90	1520	170.85	1005	112.96	3615	406.33	1668	187.48	1133	127.35
MP332	3731	419.36	1756	197.37	1202	135.10	4258	478.60	1816	204.12	1367	153.65
MP345	4532	509.40	2146	241.21	1471	165.34	5102	573.46	2382	267.74	1670	187.71
MP365	5058	568.52	2464	276.95	1756	197.37	5918	665.18	2747	308.76	2017	226.71

Multi-Processors Technical Specifications

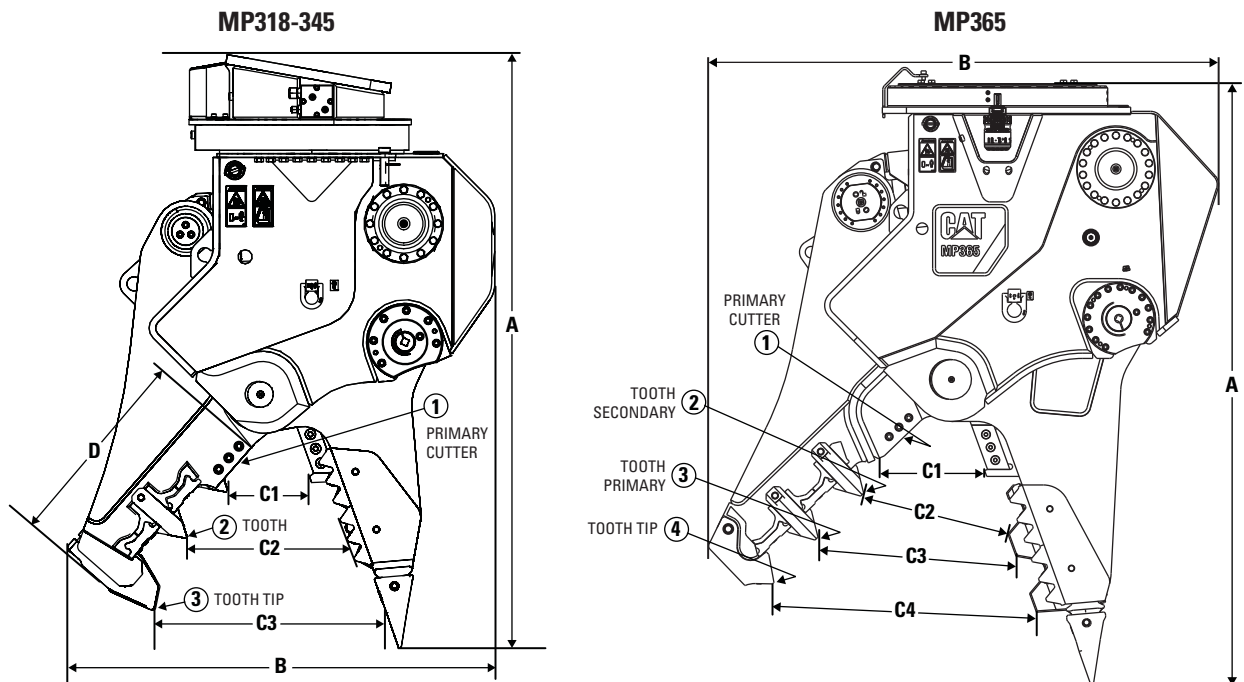
Dimensions – Demolition (D) Jaw



Model	(A) Length, Housing and Jaw		(B) Height, Housing and Jaw		(C1) Jaw Opening		(C2) Jaw Opening		(C3) Jaw Opening		(C4) Jaw Opening		(D) Jaw Depth		Cutter Length	
	mm	in	mm	in	mm	in	mm	in	mm	in	mm	in	mm	in	mm	in
MP318	1935	76.18	1368	53.86	271	10.67	549	21.61	736	28.98			645	25.39	150	5.91
MP324	2079	81.85	1593	62.72	365	14.37	677	26.65	903	35.55			756	29.76	191	7.52
MP332	2253	88.70	1995	78.54	433	17.05	785	30.91	1078	42.44			909	35.79	200	7.87
MP345	2367	93.19	2304	90.71	461	18.15	821	32.32	1183	46.57			954	37.56	225	8.86
MP365	2678	105.43	2626	103.39	484	19.06	726	28.58	1022	40.24	1384	54.49	1089	42.87	225	8.86

Model	(1) Closing Force		(2) Closing Force		(3) Closing Force		(4) Closing Force		(1) Crushing/Cutting Force		(2) Crushing/Cutting Force		(3) Crushing/Cutting Force		(4) Crushing/Cutting Force	
	kN	st	kN	st	kN	st	kN	st	kN	st	kN	st	kN	st	kN	st
MP318	2409	270.77	1038	116.67	721	81.04			2687	302.02	1203	135.22	824	92.62		
MP324	3308	371.82	1427	160.39	1002	112.62			3767	423.41	1684	189.28	1166	131.06		
MP332	3584	402.84	1651	185.57	1155	129.82			4094	460.17	1951	219.29	1347	151.40		
MP345	4619	519.18	2110	237.16	1417	159.27			5327	598.75	2522	283.47	1670	187.71		
MP365	6236	700.93	3374	379.24	2369	266.28	1704	191.53	7298	820.30	4086	459.27	2855	320.90	2031	228.28

Dimensions – Pulverizer (P) Jaw

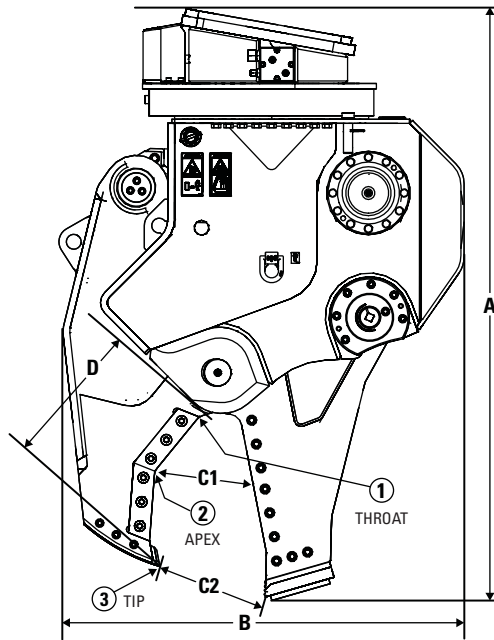


Model	(A) Length, Housing and Jaw		(B) Height, Housing and Jaw		(C1) Jaw Opening		(C2) Jaw Opening		(C3) Jaw Opening		(C4) Jaw Opening		(D) Jaw Depth		Cutter Length	
	mm	in	mm	in	mm	in	mm	in	mm	in	mm	in	mm	in	mm	in
MP318	2006	78.98	1307	51.46	275	10.83	453	17.83	824	32.44			666	26.22	200	7.87
MP324	2183	85.94	1466	57.72	330	12.99	588	23.15	965	37.99			764	30.08	200	7.87
MP332	2277	89.65	1879	73.98	384	15.12	617	24.29	803	31.61			840	33.07	200	7.87
MP345	2503	98.54	2138	84.17	429	16.89	661	26.02	938	36.93			868	34.17	225	8.86
MP365	2869	112.95	2491	98.07	483	19.02	719	28.31	953	37.52	1260	49.61	1089	42.87	225	8.86

Model	(1) Closing Force		(2) Closing Force		(3) Closing Force		(4) Closing Force		(1) Crushing/Cutting Force		(2) Crushing/Cutting Force		(3) Crushing/Cutting Force		(4) Crushing/Cutting Force	
	kN	st	kN	st	kN	st	kN	st	kN	st	kN	st	kN	st	kN	st
MP318	2279	256.16	1004	112.85	695	78.12			2570	288.87	1131	127.12	781	87.78		
MP324	3277	368.33	1449	162.87	971	109.14			3727	418.91	1664	187.03	1104	124.09		
MP332	4336	487.37	1736	195.13	1268	142.52			4947	556.04	1962	220.53	1439	161.74		
MP345	4842	544.24	2124	238.74	1519	170.74			5616	631.24	2468	277.40	1768	198.72		
MP365	6043	679.23	3117	350.35	2177	244.69	1678	188.61	7193	808.49	3655	410.82	2565	288.31	1977	222.21

Multi-Processors Technical Specifications

Dimensions – Shear (S) Jaw

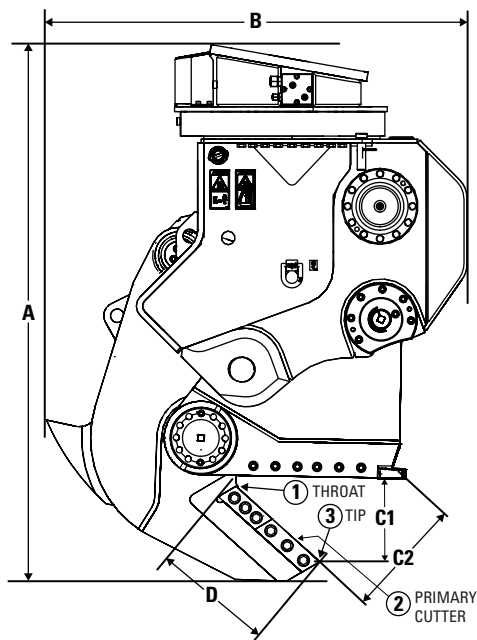


Model	(A) Length, Housing and Jaw		(B) Height, Housing and Jaw		(C1) Jaw Opening		(C2) Jaw Opening		(D) Jaw Depth		Cutter Length	
	mm	in	mm	in	mm	in	mm	in	mm	in	mm	in
MP318	1897	74.69	1298	51.10	312	12.28	322	12.68	490	19.29	382	15.04
MP324	2082	81.97	1419	55.87	368	14.49	394	15.51	610	24.02	496	19.53
MP332	2146	84.49	1615	63.58	425	16.73	471	18.54	677	26.65	572	22.52
MP345	2296	90.39	1865	73.43	469	18.46	500	19.69	744	29.29	579	22.80
MP365	2597	102.24	2133	83.98	547	21.54	552	21.73	860	33.86	714	28.11

Model	(1) Closing Force		(2) Closing Force		(3) Closing Force		(1) Crushing/Cutting Force		(2) Crushing/Cutting Force		(3) Crushing/Cutting Force	
	kN	st	kN	st	kN	st	kN	st	kN	st	kN	st
MP318	3663	411.72	1656	186.13	975	109.59	4012	450.95	1827	205.35	1011	113.64
MP324	5393	606.17	2214	248.85	1285	144.43	5956	669.45	2445	274.82	1332	149.72
MP332	7171	806.02	2801	314.83	1587	178.38	7890	886.84	3124	351.14	1652	185.68
MP345	7524	845.70	3228	362.83	1872	210.41	8463	951.24	3637	408.80	1945	218.62
MP365	10061	1130.86	3887	436.90	2260	254.02	11295	1269.56	4357	489.73	2342	263.24

Multi-Processors Technical Specifications

Dimensions – Tank Shear (TS) Jaw

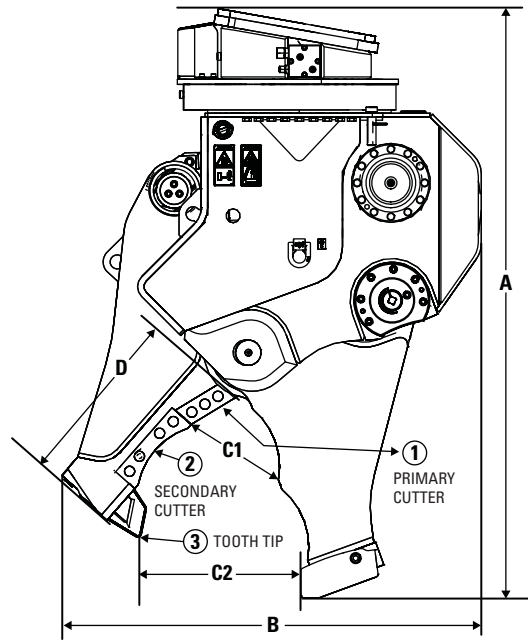


Model	(A) Length, Housing and Jaw		(B) Height, Housing and Jaw		(C1) Jaw Opening		(C2) Jaw Opening		(D) Jaw Depth		Cutter Length	
	mm	in	mm	in	mm	in	mm	in	mm	in	mm	in
MP324	2129	83.82	1571	61.85	347	13.66	485	19.09	490	19.29	439	17.28
MP332	2200	86.61	1969	77.52	384	15.12	521	20.51			600	23.62

Model	(1) Closing Force		(2) Closing Force		(3) Closing Force		(1) Crushing/Cutting Force		(2) Crushing/Cutting Force		(3) Crushing/Cutting Force	
	kN	st	kN	st	kN	st	kN	st	kN	st	kN	st
MP324	3976	446.90	2189	246.04	1507	169.39	4344	488.27	1894	212.89	1550	174.22
MP332	7048	792.20	2988	335.85	1882	211.54	7048	792.20	3045	342.26	1934	217.38

Multi-Processors Technical Specifications

Dimensions – Universal (U)



Model	(A) Length, Housing and Jaw		(B) Height, Housing and Jaw		(C1) Jaw Opening		(C2) Jaw Opening		(D) Jaw Depth		Cutter Length	
	mm	in	mm	in	mm	in	mm	in	mm	in	mm	in
MP318	2003	78.86	1274	50.16	326	12.83	462	18.19	565	22.24	400	15.75
MP324	2186	86.06	1464	57.64	422	16.61	642	25.28	680	26.77	526	20.71
MP332	2303	90.67	1866	73.46	420	16.54	717	28.23	835	32.87	670	26.38

Model	(1) Closing Force		(2) Closing Force		(3) Closing Force		(1) Crushing/Cutting Force		(2) Crushing/Cutting Force		(3) Crushing/Cutting Force	
	kN	st	kN	st	kN	st	kN	st	kN	st	kN	st
MP318	2511	282.24	1339	150.50	803	90.26	2661	299.10	1489	167.36	855	96.10
MP324	3386	380.59	1724	193.78	1083	121.73	3646	409.81	1964	220.75	1180	132.63
MP332	4223	474.67	2262	254.25	1285	144.43	4743	533.11	2600	292.24	1436	161.41

Multi-Processors Technical Specifications

Hydraulic Specifications

Model	Jaw Type	Maximum Operating Pressure, Jaw Circuit		Maximum Oil Flow, Jaw Circuit		Maximum Return Oil Flow, Jaw Circuit	
		kPa	psi	L/min	gpm	L/min	gpm
MP318	Concrete Cutter	35000	5076	150	39.6	240	63.4
	Demolition	35000	5076	150	39.6	240	63.4
	Pulverizer	35000	5076	150	39.6	240	63.4
	Shear	35000	5076	150	39.6	240	63.4
	Universal	35000	5076	150	39.6	240	63.4
MP324	Concrete Cutter	35000	5076	225	59.4	370	97.8
	Demolition	35000	5076	225	59.4	370	97.8
	Pulverizer	35000	5076	225	59.4	370	97.8
	Shear	35000	5076	225	59.4	370	97.8
	Tank Shear	35000	5076	225	59.4	370	97.8
	Universal	35000	5076	225	59.4	370	97.8
MP332	Concrete Cutter	35000	5076	280	74.0	463	122.3
	Demolition	35000	5076	280	74.0	463	122.3
	Pulverizer	35000	5076	280	74.0	463	122.3
	Shear	35000	5076	280	74.0	463	122.3
	Tank Shear	35000	5076	280	74.0	463	122.3
	Universal	35000	5076	280	74.0	463	122.3
MP345	Concrete Cutter	35000	5076	360	95.1	635	167.8
	Demolition	35000	5076	360	95.1	635	167.8
	Pulverizer	35000	5076	360	95.1	635	167.8
	Shear	35000	5076	360	95.1	635	167.8
MP365	Concrete Cutter	35000	5076	450	118.9	810	214.0
	Demolition	35000	5076	450	118.9	810	214.0
	Pulverizer	35000	5076	450	118.9	810	214.0
	Shear	35000	5076	450	118.9	810	214.0

(continued on next page)

Multi-Processors Technical Specifications

Hydraulic Specifications *(continued)*

Model	Jaw Type	Cycle Time, Jaw Circuit Open	Cycle Time, Jaw Circuit Close	Cycle Time, Jaw Circuit	Maximum Operating Pressure, Rotation Circuit		Maximum Oil Flow for Optimum Performance, Rotation Circuit	
		seconds	seconds	seconds	kPa	psi	L/min	gpm
MP318	Concrete Cutter	1.6	1	2.6	14000	2031	40	10.6
	Demolition	1.6	1	2.6	14000	2031	40	10.6
	Pulverizer	1.6	1	2.6	14000	2031	40	10.6
	Shear	1.6	1	2.6	14000	2031	40	10.6
	Universal	1.6	1	2.6	14000	2031	40	10.6
MP324	Concrete Cutter	1.8	1.2	3	14000	2031	40	10.6
	Demolition	1.8	1.2	3	14000	2031	40	10.6
	Pulverizer	1.8	1.2	3	14000	2031	40	10.6
	Shear	1.8	1.2	3	14000	2031	40	10.6
	Tank Shear	1.8	1.2	3	14000	2031	40	10.6
	Universal	1.8	1.2	3	14000	2031	40	10.6
MP332	Concrete Cutter	1.9	1.3	3.2	16000	2321	40	10.6
	Demolition	1.9	1.3	3.2	16000	2321	40	10.6
	Pulverizer	1.9	1.3	3.2	16000	2321	40	10.6
	Shear	1.9	1.3	3.2	16000	2321	40	10.6
	Tank Shear	1.9	1.3	3.2	16000	2321	40	10.6
	Universal	1.9	1.3	3.2	16000	2321	40	10.6
MP345	Concrete Cutter	1.9	1.4	3.3	16000	2321	50	13.2
	Demolition	1.9	1.4	3.3	16000	2321	50	13.2
	Pulverizer	1.9	1.4	3.3	16000	2321	50	13.2
	Shear	1.9	1.4	3.3	16000	2321	50	13.2
MP365	Concrete Cutter	2.1	1.6	3.7	16000	2321	50	13.2
	Demolition	2.1	1.6	3.7	16000	2321	50	13.2
	Pulverizer	2.1	1.6	3.7	16000	2321	50	13.2
	Shear	2.1	1.6	3.7	16000	2321	50	13.2

Matching – Tracked Excavators

 Match

 * Working Range Front Only

 No Match

318D2

Pin-on

Undercarriage	L	
Counterweight	—	
Boom Type	Reach	
Stick Length	2.90 m (9'6")	2.60 m (8'6")
MP318 CC Jaw		✓*
MP318 D Jaw		✓*
MP318 P Jaw		
MP318 S Jaw	✓*	✓*
MP318 U Jaw		

318F

Pin-on

Undercarriage	L			
Counterweight	—			
Boom Type	Reach			
Stick Length	2.25 m (7'5")	2.60 m (8'6")	2.90 m (9'6")	3.10 m (10'2")
MP318 CC Jaw	✓	✓	✓*	
MP318 D Jaw	✓	✓	✓*	✓*
MP318 P Jaw	✓	✓*	✓*	
MP318 S Jaw	✓	✓	✓	✓*
MP318 U Jaw	✓	✓*	✓	

Cat Pin Grabber Coupler

Undercarriage	L
Counterweight	—
Boom Type	Reach
Stick Length	2.25 m (7'5")
MP318 CC Jaw	
MP318 D Jaw	✓*
MP318 P Jaw	
MP318 S Jaw	✓*
MP318 U Jaw	

CW-30s Dedicated Coupler

Undercarriage	L	
Counterweight	—	
Boom Type	Reach	
Stick Length	2.25 m (7'5")	2.60 m (8'6")
MP318 CC Jaw	✓*	
MP318 D Jaw	✓*	
MP318 P Jaw		
MP318 S Jaw	✓	✓*
MP318 U Jaw	✓*	

(continued on next page)

Multi-Processors Technical Specifications

Matching – Tracked Excavators *(continued)*

 Match

 * Working Range Front Only

 No Match

318F *(continued)*

CW-30 Dedicated Coupler

Undercarriage	L	
Counterweight	—	
Boom Type	Reach	
Stick Length	2.25 m (7'5")	2.60 m (8'6")
MP318 CC Jaw	✓*	
MP318 D Jaw	✓*	
MP318 P Jaw		
MP318 S Jaw	✓	✓*
MP318 U Jaw	✓*	

320D2 GC

Pin-on

Undercarriage	—	
Counterweight	—	
Boom Type	Reach	
Stick Length	2.50 m (8'2")	2.92 m (9'7")
MP318 CC Jaw	✓	✓
MP318 D Jaw	✓	✓
MP318 P Jaw	✓	✓*
MP318 S Jaw	✓	✓
MP318 U Jaw	✓	✓*

Cat Pin Grabber Coupler

Undercarriage	—
Counterweight	—
Boom Type	Reach
Stick Length	2.50 m (8'2")
MP318 CC Jaw	
MP318 D Jaw	
MP318 P Jaw	
MP318 S Jaw	✓*
MP318 U Jaw	

CW-40s Dedicated Coupler

Undercarriage	—	
Counterweight	—	
Boom Type	Reach	
Stick Length	2.50 m (8'2")	2.92 m (9'7")
MP318 CC Jaw	✓*	
MP318 D Jaw	✓*	
MP318 P Jaw		
MP318 S Jaw	✓	✓*
MP318 U Jaw	✓*	

(continued on next page)

Matching – Tracked Excavators *(continued)*

 Match

 * Working Range Front Only

 No Match

320D2 GC *(continued)*

CW-40 Dedicated Coupler

Undercarriage	—	
Counterweight	—	
Boom Type	Reach	
Stick Length	2.50 m (8'2")	2.92 m (9'7")
MP318 CC Jaw	✓*	
MP318 D Jaw	✓*	
MP318 P Jaw		
MP318 S Jaw	✓	✓*
MP318 U Jaw	✓*	

320D2

Pin-on

Undercarriage	—		L	
Counterweight	—		—	
Boom Type	Reach HD		Reach HD	
Stick Length	2.50 m HD (8'2")	2.92 m HD (9'7")	2.50 m HD (8'2")	2.92 m HD (9'7")
MP318 CC Jaw	✓	✓*	✓	✓
MP318 D Jaw	✓	✓	✓	✓
MP318 P Jaw	✓	✓*	✓	✓
MP318 S Jaw	✓	✓	✓	✓
MP318 U Jaw	✓	✓*	✓	✓

Cat Pin Grabber Coupler

Undercarriage	L	
Counterweight	—	
Boom Type	Reach HD	
Stick Length	2.50 m HD (8'2")	2.92 m HD (9'7")
MP318 CC Jaw	✓	✓*
MP318 D Jaw	✓	✓*
MP318 P Jaw	✓*	
MP318 S Jaw	✓	✓*
MP318 U Jaw	✓*	

CW-40s Dedicated Coupler

Undercarriage	L	
Counterweight	—	
Boom Type	Reach HD	
Stick Length	2.50 m HD (8'2")	2.92 m HD (9'7")
MP318 CC Jaw	✓	✓
MP318 D Jaw	✓	✓
MP318 P Jaw	✓	✓*
MP318 S Jaw	✓	✓
MP318 U Jaw	✓	✓*

(continued on next page)

Multi-Processors Technical Specifications

Matching – Tracked Excavators *(continued)*

Match

* Working Range Front Only

No Match

320D2 *(continued)*

CW-40 Dedicated Coupler

Undercarriage	L	
Counterweight	—	
Boom Type	Reach HD	
Stick Length	2.50 m HD (8'2")	2.92 m HD (9'7")
MP318 CC Jaw	✓	✓
MP318 D Jaw	✓	✓
MP318 P Jaw	✓	✓*
MP318 S Jaw	✓	✓
MP318 U Jaw	✓	✓*

320F

Pin-on

Undercarriage	—		L			
Counterweight	—		—			
Boom Type	Reach	VA	Reach		VA	
Stick Length	2.92 m HD (9'7")	2.92 m HD (9'7")	2.50 m HD (8'2")	2.92 m HD (9'7")	2.50 m HD (8'2")	2.92 m HD (9'7")
MP318 CC Jaw	✓	✓	✓	✓	✓	✓
MP318 D Jaw	✓	✓	✓	✓	✓	✓
MP318 P Jaw	✓	✓*	✓	✓	✓	✓
MP318 S Jaw	✓	✓	✓	✓	✓	✓
MP318 U Jaw	✓	✓*	✓	✓	✓	✓

Cat Pin Grabber Coupler

Undercarriage	L			
Counterweight	—			
Boom Type	Reach		VA	
Stick Length	2.50 m HD (8'2")	2.92 m HD (9'7")	2.50 m HD (8'2")	2.92 m HD (9'7")
MP318 CC Jaw	✓	✓	✓	✓*
MP318 D Jaw	✓	✓	✓	✓*
MP318 P Jaw	✓	✓*	✓*	
MP318 S Jaw	✓	✓	✓	✓*
MP318 U Jaw	✓	✓*	✓*	

CW-40s Dedicated Coupler

Undercarriage	—	L			
Counterweight	—	—			
Boom Type	Reach	Reach		VA	
Stick Length	2.92 m HD (9'7")	2.50 m HD (8'2")	2.92 m HD (9'7")	2.50 m HD (8'2")	2.92 m HD (9'7")
MP318 CC Jaw	✓*	✓	✓	✓	✓
MP318 D Jaw	✓*	✓	✓	✓	✓
MP318 P Jaw		✓	✓	✓	✓*
MP318 S Jaw	✓	✓	✓	✓	✓
MP318 U Jaw	✓*	✓	✓	✓	✓*

(continued on next page)

Multi-Processors Technical Specifications

Matching – Tracked Excavators *(continued)*

 Match

 * Working Range Front Only

 No Match

320F *(continued)*

CW-40 Dedicated Coupler

Undercarriage	—		L		
Counterweight	—		—		
Boom Type	Reach		Reach		VA
Stick Length	2.92 m HD (9'7")	2.50 m HD (8'2")	2.92 m HD (9'7")	2.50 m HD (8'2")	2.92 m HD (9'7")
MP318 CC Jaw	✓*	✓	✓	✓	✓
MP318 D Jaw	✓*	✓	✓	✓	✓
MP318 P Jaw		✓	✓	✓	✓*
MP318 S Jaw	✓	✓	✓	✓	✓
MP318 U Jaw	✓*	✓	✓	✓	✓*

320 GC

Pin-on

Undercarriage	—				L	
Counterweight	3.7 mt		4.2 mt		4.2 mt	
Boom Type	Reach		Reach		Reach	
Stick Length	2.50 m (8'2")	2.92 m (9'7")	2.50 m (8'2")	2.92 m (9'7")	2.50 m (8'2")	2.92 m (9'7")
MP318 CC Jaw	✓	✓	✓	✓	✓	✓
MP318 D Jaw	✓	✓	✓	✓	✓	✓
MP318 P Jaw	✓	✓*	✓	✓	✓	✓
MP318 S Jaw	✓	✓	✓	✓	✓	✓
MP318 U Jaw	✓	✓	✓	✓	✓	✓

Cat Pin Grabber Coupler

Undercarriage	—		L	
Counterweight	4.2 mt		4.2 mt	
Boom Type	Reach		Reach	
Stick Length	2.50 m (8'2")	2.92 m (9'7")	2.50 m (8'2")	2.92 m (9'7")
MP318 CC Jaw	✓	✓*	✓	✓
MP318 D Jaw	✓	✓*	✓	✓
MP318 P Jaw	✓*		✓	✓
MP318 S Jaw	✓	✓*	✓	✓
MP318 U Jaw	✓*		✓	✓

CW-40s Dedicated Coupler

Undercarriage	—				L	
Counterweight	3.7 mt		4.2 mt		4.2 mt	
Boom Type	Reach		Reach		Reach	
Stick Length	2.50 m (8'2")	2.92 m (9'7")	2.50 m (8'2")	2.92 m (9'7")	2.50 m (8'2")	2.92 m (9'7")
MP318 CC Jaw	✓*		✓	✓	✓	✓
MP318 D Jaw	✓*		✓	✓	✓	✓
MP318 P Jaw			✓	✓*	✓	✓
MP318 S Jaw	✓	✓*	✓	✓	✓	✓
MP318 U Jaw	✓*		✓	✓	✓	✓

(continued on next page)

Multi-Processors Technical Specifications

Matching – Tracked Excavators *(continued)*

Match

* Working Range Front Only

No Match

320 GC *(continued)*

CW-40 Dedicated Coupler

Undercarriage	—				L	
Counterweight	3.7 mt		4.2 mt		4.2 mt	
Boom Type	Reach		Reach		Reach	
Stick Length	2.50 m (8'2")	2.92 m (9'7")	2.50 m (8'2")	2.92 m (9'7")	2.50 m (8'2")	2.92 m (9'7")
MP318 CC Jaw	✓*		✓	✓	✓	✓
MP318 D Jaw	✓*		✓	✓	✓	✓
MP318 P Jaw			✓	✓*	✓	✓
MP318 S Jaw	✓	✓*	✓	✓	✓	✓
MP318 U Jaw	✓*		✓	✓	✓	✓

320

Pin-on

Undercarriage	L							
Counterweight	3.7 mt				4.2 mt			
Boom Type	Reach HD		Reach		Reach HD		VA	
Stick Length	2.50 m HD (8'2")	2.92 m HD (9'7")	2.50 m (8'2")	2.92 m (9'7")	2.50 m HD (8'2")	2.92 m HD (9'7")	2.50 m (8'2")	2.92 m (9'7")
MP318 CC Jaw	✓	✓	✓	✓	✓	✓	✓	✓
MP318 D Jaw	✓	✓	✓	✓	✓	✓	✓	✓
MP318 P Jaw	✓	✓	✓	✓	✓	✓	✓	✓
MP318 S Jaw	✓	✓	✓	✓	✓	✓	✓	✓
MP318 U Jaw	✓	✓	✓	✓	✓	✓	✓	✓

Cat Pin Grabber Coupler

Undercarriage	L							
Counterweight	3.7 mt				4.2 mt			
Boom Type	Reach HD		Reach		Reach HD		VA	
Stick Length	2.50 m HD (8'2")	2.92 m HD (9'7")	2.50 m (8'2")	2.92 m (9'7")	2.50 m HD (8'2")	2.92 m HD (9'7")	2.50 m (8'2")	
MP318 CC Jaw	✓	✓*	✓	✓	✓	✓	✓*	
MP318 D Jaw	✓*		✓	✓	✓	✓	✓*	
MP318 P Jaw			✓	✓*	✓	✓*		
MP318 S Jaw	✓	✓*	✓	✓	✓	✓	✓*	
MP318 U Jaw	✓*		✓	✓	✓	✓*	✓*	

CW-40s Dedicated Coupler

Undercarriage	L							
Counterweight	3.7 mt				4.2 mt			
Boom Type	Reach HD		Reach		Reach HD		VA	
Stick Length	2.50 m HD (8'2")	2.92 m HD (9'7")	2.50 m (8'2")	2.92 m (9'7")	2.50 m HD (8'2")	2.92 m HD (9'7")	2.50 m (8'2")	2.92 m (9'7")
MP318 CC Jaw	✓	✓	✓	✓	✓	✓	✓	✓*
MP318 D Jaw	✓	✓	✓	✓	✓	✓	✓	✓*
MP318 P Jaw	✓	✓*	✓	✓	✓	✓	✓*	
MP318 S Jaw	✓	✓	✓	✓	✓	✓	✓	✓
MP318 U Jaw	✓	✓*	✓	✓	✓	✓	✓	✓*

(continued on next page)

Multi-Processors Technical Specifications

Matching – Tracked Excavators *(continued)*

 Match

 * Working Range Front Only

 No Match

320 *(continued)*

CW-40 Dedicated Coupler

Undercarriage	L							
Counterweight	3.7 mt				4.2 mt			
Boom Type	Reach HD		Reach		Reach HD		VA	
Stick Length	2.50 m HD (8'2")	2.92 m HD (9'7")	2.50 m (8'2")	2.92 m (9'7")	2.50 m HD (8'2")	2.92 m HD (9'7")	2.50 m (8'2")	2.92 m (9'7")
MP318 CC Jaw	✓	✓	✓	✓	✓	✓	✓	✓*
MP318 D Jaw	✓	✓	✓	✓	✓	✓	✓	✓*
MP318 P Jaw	✓	✓*	✓	✓	✓	✓	✓*	
MP318 S Jaw	✓	✓	✓	✓	✓	✓	✓	✓
MP318 U Jaw	✓	✓*	✓	✓	✓	✓	✓	✓*

323D2

Pin-on

Undercarriage	L		
Counterweight	—		
Boom Type	Reach HD		ME
Stick Length	2.50 m HD (8'2")	2.92 m HD (9'7")	2.40 m (7'10")
MP318 CC Jaw	✓	✓	✓
MP318 D Jaw	✓	✓	✓
MP318 P Jaw	✓	✓	✓
MP318 S Jaw	✓	✓	✓
MP318 U Jaw	✓	✓	✓
MP324 CC Jaw			✓
MP324 D Jaw			✓
MP324 P Jaw			✓
MP324 S Jaw			✓
MP324 TS Jaw			✓
MP324 U Jaw			✓

Cat Pin Grabber Coupler

Undercarriage	L		
Counterweight	—		
Boom Type	Reach HD		ME
Stick Length	2.50 m HD (8'2")	2.92 m HD (9'7")	2.40 m (7'10")
MP318 CC Jaw	✓	✓	✓
MP318 D Jaw	✓	✓	✓
MP318 P Jaw	✓	✓*	✓
MP318 S Jaw	✓	✓	✓
MP318 U Jaw	✓	✓*	✓
MP324 CC Jaw			✓*
MP324 D Jaw			✓*
MP324 P Jaw			
MP324 S Jaw			✓
MP324 TS Jaw			
MP324 U Jaw			✓*

(continued on next page)

Multi-Processors Technical Specifications

Matching – Tracked Excavators *(continued)*

Match

* Working Range Front Only

No Match

323D2 *(continued)*

CW-40s Dedicated Coupler

Undercarriage	L	
Counterweight	—	
Boom Type	Reach HD	
Stick Length	2.50 m HD (8'2")	2.92 m HD (9'7")
MP318 CC Jaw	✓	✓
MP318 D Jaw	✓	✓
MP318 P Jaw	✓	✓
MP318 S Jaw	✓	✓
MP318 U Jaw	✓	✓

CW-40 Dedicated Coupler

Undercarriage	L		
Counterweight	—		
Boom Type	Reach HD		ME
Stick Length	2.50 m HD (8'2")	2.92 m HD (9'7")	2.40 m (7'10")
MP318 CC Jaw	✓	✓	✓
MP318 D Jaw	✓	✓	✓
MP318 P Jaw	✓	✓	✓
MP318 S Jaw	✓	✓	✓
MP318 U Jaw	✓	✓	✓
MP324 CC Jaw			✓
MP324 D Jaw			✓
MP324 P Jaw			✓
MP324 S Jaw			✓
MP324 TS Jaw			✓
MP324 U Jaw			✓

(continued on next page)

Multi-Processors Technical Specifications

Matching – Tracked Excavators *(continued)*

 Match

 * Working Range Front Only

 No Match

323F

Pin-on

Undercarriage	L						
Counterweight	—						
Boom Type	Reach		Reach HD			VA	
Stick Length	2.50 m HD (8'2")	2.92 m HD (9'7")	2.92 m HD (9'7")	3.86 m HD (12'8")	2.92 m HD-TR (9'7")	2.50 m HD (8'2")	2.92 m HD (9'7")
MP318 CC Jaw	✓	✓	✓		✓	✓	✓
MP318 D Jaw	✓	✓	✓		✓	✓	✓
MP318 P Jaw	✓	✓	✓		✓	✓	✓
MP318 S Jaw	✓	✓	✓	✓	✓	✓	✓
MP318 U Jaw	✓	✓	✓		✓	✓	✓

Pin-on *(continued)*

Undercarriage	L				LN			
Counterweight	5.35 mt				—			
Boom Type	Reach		VA		Reach		VA	
Stick Length	2.50 m HD (8'2")	2.92 m HD (9'7")	2.50 m HD (8'2")	2.92 m HD (9'7")	2.50 m HD (8'2")	2.92 m HD (9'7")	2.50 m HD (8'2")	2.92 m HD (9'7")
MP318 CC Jaw	✓	✓	✓	✓	✓	✓	✓	✓*
MP318 D Jaw	✓	✓	✓	✓	✓	✓	✓	✓*
MP318 P Jaw	✓	✓	✓	✓	✓	✓	✓*	
MP318 S Jaw	✓	✓	✓	✓	✓	✓	✓	✓
MP318 U Jaw	✓	✓	✓	✓	✓	✓	✓	✓*

Cat Pin Grabber Coupler

Undercarriage	L						
Counterweight	—						
Boom Type	Reach		Reach HD		VA		
Stick Length	2.50 m HD (8'2")	2.92 m HD (9'7")	2.92 m HD (9'7")	2.92 m HD-TR (9'7")	2.50 m HD (8'2")	2.92 m HD (9'7")	
MP318 CC Jaw	✓	✓	✓	✓	✓	✓	
MP318 D Jaw	✓	✓	✓	✓	✓	✓	
MP318 P Jaw	✓	✓	✓	✓	✓	✓*	
MP318 S Jaw	✓	✓	✓	✓	✓	✓	
MP318 U Jaw	✓	✓	✓	✓	✓	✓	

Cat Pin Grabber Coupler *(continued)*

Undercarriage	L				LN	
Counterweight	5.35 mt				—	
Boom Type	Reach		VA		Reach	
Stick Length	2.50 m HD (8'2")	2.92 m HD (9'7")	2.50 m HD (8'2")	2.92 m HD (9'7")	2.50 m HD (8'2")	2.92 m HD (9'7")
MP318 CC Jaw	✓	✓	✓	✓	✓	✓*
MP318 D Jaw	✓	✓	✓	✓	✓	✓*
MP318 P Jaw	✓	✓	✓	✓	✓*	
MP318 S Jaw	✓	✓	✓	✓	✓	✓
MP318 U Jaw	✓	✓	✓	✓	✓	✓*

(continued on next page)

Multi-Processors Technical Specifications

Matching – Tracked Excavators *(continued)*

 Match

 * Working Range Front Only

 No Match

323F *(continued)*

CW-40s Dedicated Coupler

Undercarriage	L							
Counterweight	—				5.35 mt			
Boom Type	Reach		VA		Reach		VA	
Stick Length	2.50 m HD (8'2")	2.92 m HD (9'7")	2.50 m HD (8'2")	2.92 m HD (9'7")	2.50 m HD (8'2")	2.92 m HD (9'7")	2.50 m HD (8'2")	2.92 m HD (9'7")
MP318 CC Jaw	✓	✓	✓	✓	✓	✓	✓	✓
MP318 D Jaw	✓	✓	✓	✓	✓	✓	✓	✓
MP318 P Jaw	✓	✓	✓	✓	✓	✓	✓	✓
MP318 S Jaw	✓	✓	✓	✓	✓	✓	✓	✓
MP318 U Jaw	✓	✓	✓	✓	✓	✓	✓	✓

CW-40s Dedicated Coupler *(continued)*

Undercarriage	LN		
Counterweight	—		
Boom Type	Reach		VA
Stick Length	2.50 m HD (8'2")	2.92 m HD (9'7")	2.50 m HD (8'2")
MP318 CC Jaw	✓	✓	
MP318 D Jaw	✓	✓	✓*
MP318 P Jaw	✓	✓*	
MP318 S Jaw	✓	✓	✓*
MP318 U Jaw	✓	✓	

CW-40 Dedicated Coupler

Undercarriage	L							
Counterweight	—				5.35 mt			
Boom Type	Reach		VA		Reach		VA	
Stick Length	2.50 m HD (8'2")	2.92 m HD (9'7")	2.50 m HD (8'2")	2.92 m HD (9'7")	2.50 m HD (8'2")	2.92 m HD (9'7")	2.50 m HD (8'2")	2.92 m HD (9'7")
MP318 CC Jaw	✓	✓	✓	✓	✓	✓	✓	✓
MP318 D Jaw	✓	✓	✓	✓	✓	✓	✓	✓
MP318 P Jaw	✓	✓	✓	✓	✓	✓	✓	✓
MP318 S Jaw	✓	✓	✓	✓	✓	✓	✓	✓
MP318 U Jaw	✓	✓	✓	✓	✓	✓	✓	✓

CW-40 Dedicated Coupler *(continued)*

Undercarriage	LN		
Counterweight	—		
Boom Type	Reach		VA
Stick Length	2.50 m HD (8'2")	2.92 m HD (9'7")	2.50 m HD (8'2")
MP318 CC Jaw	✓	✓	
MP318 D Jaw	✓	✓	✓*
MP318 P Jaw	✓	✓*	
MP318 S Jaw	✓	✓	✓*
MP318 U Jaw	✓	✓	

(continued on next page)

Multi-Processors Technical Specifications

Matching – Tracked Excavators *(continued)*

 Match

 * Working Range Front Only

 No Match

323
Pin-on

Undercarriage	L						
Counterweight	4.2 mt						
Boom Type	Reach			Reach HD		VA	
Stick Length	2.50 m (8'2")	2.92 m (9'7")	3.86 m (12'8")	2.50 m HD (8'2")	2.92 m HD (9'7")	2.50 m (8'2")	2.92 m (9'7")
MP318 CC Jaw	✓	✓	✓	✓	✓	✓	✓
MP318 D Jaw	✓	✓	✓	✓	✓	✓	✓
MP318 P Jaw	✓	✓	✓	✓	✓	✓	✓
MP318 S Jaw	✓	✓	✓	✓	✓	✓	✓
MP318 U Jaw	✓	✓	✓	✓	✓	✓	✓

Pin-on *(continued)*

Undercarriage	L					
Counterweight	5.4 mt					
Boom Type	Reach			Reach HD		
Stick Length	2.50 m (8'2")	2.92 m (9'7")	3.86 m (12'8")	2.50 m HD (8'2")	2.92 m HD (9'7")	2.92 m TR (9'7")
MP318 CC Jaw	✓	✓	✓	✓	✓	✓
MP318 D Jaw	✓	✓	✓	✓	✓	✓
MP318 P Jaw	✓	✓	✓	✓	✓	✓
MP318 S Jaw	✓	✓	✓	✓	✓	✓
MP318 U Jaw	✓	✓	✓	✓	✓	✓

Cat Pin Grabber Coupler

Undercarriage	L					
Counterweight	4.2 mt					
Boom Type	Reach		Reach HD		VA	
Stick Length	2.50 m (8'2")	2.92 m (9'7")	2.50 m HD (8'2")	2.92 m HD (9'7")	2.50 m (8'2")	2.92 m (9'7")
MP318 CC Jaw	✓	✓	✓	✓	✓	✓*
MP318 D Jaw	✓	✓	✓	✓	✓	✓*
MP318 P Jaw	✓	✓	✓	✓*	✓*	
MP318 S Jaw	✓	✓	✓	✓	✓	✓*
MP318 U Jaw	✓	✓	✓	✓	✓*	✓*

Cat Pin Grabber Coupler *(continued)*

Undercarriage	L				
Counterweight	5.4 mt				
Boom Type	Reach		Reach HD		
Stick Length	2.50 m (8'2")	2.92 m (9'7")	2.50 m HD (8'2")	2.92 m HD (9'7")	2.92 m TR (9'7")
MP318 CC Jaw	✓	✓	✓	✓	✓
MP318 D Jaw	✓	✓	✓	✓	✓
MP318 P Jaw	✓	✓	✓	✓	✓
MP318 S Jaw	✓	✓	✓	✓	✓
MP318 U Jaw	✓	✓	✓	✓	✓

(continued on next page)

Multi-Processors Technical Specifications

Matching – Tracked Excavators *(continued)*

 Match

 * Working Range Front Only

 No Match

323 *(continued)*

CW-40s Dedicated Coupler

Undercarriage	L					
Counterweight	4.2 mt					
Boom Type	Reach		Reach HD		VA	
Stick Length	2.50 m (8'2")	2.92 m (9'7")	2.50 m HD (8'2")	2.92 m HD (9'7")	2.50 m (8'2")	2.92 m (9'7")
MP318 CC Jaw	✓	✓	✓	✓	✓	✓
MP318 D Jaw	✓	✓	✓	✓	✓	✓
MP318 P Jaw	✓	✓	✓	✓	✓	✓*
MP318 S Jaw	✓	✓	✓	✓	✓	✓
MP318 U Jaw	✓	✓	✓	✓	✓	✓

CW-40s Dedicated Coupler *(continued)*

Undercarriage	L			
Counterweight	5.4 mt			
Boom Type	Reach		Reach HD	
Stick Length	2.50 m (8'2")	2.92 m (9'7")	2.50 m HD (8'2")	2.92 m HD (9'7")
MP318 CC Jaw	✓	✓	✓	✓
MP318 D Jaw	✓	✓	✓	✓
MP318 P Jaw	✓	✓	✓	✓
MP318 S Jaw	✓	✓	✓	✓
MP318 U Jaw	✓	✓	✓	✓

CW-40 Dedicated Coupler

Undercarriage	L					
Counterweight	4.2 mt					
Boom Type	Reach		Reach HD		VA	
Stick Length	2.50 m (8'2")	2.92 m (9'7")	2.50 m HD (8'2")	2.92 m HD (9'7")	2.50 m (8'2")	2.92 m (9'7")
MP318 CC Jaw	✓	✓	✓	✓	✓	✓
MP318 D Jaw	✓	✓	✓	✓	✓	✓
MP318 P Jaw	✓	✓	✓	✓	✓	✓*
MP318 S Jaw	✓	✓	✓	✓	✓	✓
MP318 U Jaw	✓	✓	✓	✓	✓	✓

CW-40 Dedicated Coupler *(continued)*

Undercarriage	L			
Counterweight	5.4 mt			
Boom Type	Reach		Reach HD	
Stick Length	2.50 m (8'2")	2.92 m (9'7")	2.50 m HD (8'2")	2.92 m HD (9'7")
MP318 CC Jaw	✓	✓	✓	✓
MP318 D Jaw	✓	✓	✓	✓
MP318 P Jaw	✓	✓	✓	✓
MP318 S Jaw	✓	✓	✓	✓
MP318 U Jaw	✓	✓	✓	✓

(continued on next page)

Matching – Tracked Excavators *(continued)*

 Match

 * Working Range Front Only

 No Match

325F CR

Pin-on

Undercarriage	L	
Counterweight	—	
Boom Type	Reach	VA
Stick Length	2.92 m HD (9'7")	2.92 m HD (9'7")
MP318 CC Jaw	✓	✓
MP318 D Jaw	✓	✓
MP318 P Jaw	✓	✓
MP318 S Jaw	✓	✓
MP318 U Jaw	✓	✓

Cat Pin Grabber Coupler

Undercarriage	L	
Counterweight	—	
Boom Type	Reach	VA
Stick Length	2.92 m HD (9'7")	2.92 m HD (9'7")
MP318 CC Jaw	✓	✓*
MP318 D Jaw	✓	✓*
MP318 P Jaw	✓	
MP318 S Jaw	✓	✓*
MP318 U Jaw	✓	

CW-40s Dedicated Coupler

Undercarriage	L	
Counterweight	—	
Boom Type	Reach	VA
Stick Length	2.92 m HD (9'7")	2.92 m HD (9'7")
MP318 CC Jaw	✓	✓
MP318 D Jaw	✓	✓
MP318 P Jaw	✓	✓*
MP318 S Jaw	✓	✓
MP318 U Jaw	✓	✓*

CW-40 Dedicated Coupler

Undercarriage	L	
Counterweight	—	
Boom Type	Reach	VA
Stick Length	2.92 m HD (9'7")	2.92 m HD (9'7")
MP318 CC Jaw	✓	✓
MP318 D Jaw	✓	✓
MP318 P Jaw	✓	✓*
MP318 S Jaw	✓	✓
MP318 U Jaw	✓	✓*

(continued on next page)

Multi-Processors Technical Specifications

Matching – Tracked Excavators *(continued)*

Match

* Working Range Front Only

No Match

326D2

Pin-on

Undercarriage	L	
Counterweight	—	
Boom Type	Reach	Reach HD
Stick Length	2.50 m (8'2")	2.95 m HD (9'8")
MP318 CC Jaw	✓	✓
MP318 D Jaw	✓	✓
MP318 P Jaw	✓	✓
MP318 S Jaw	✓	✓
MP318 U Jaw	✓	✓
MP324 CC Jaw	✓	✓
MP324 D Jaw	✓	✓
MP324 P Jaw	✓	✓
MP324 S Jaw	✓	✓
MP324 TS Jaw	✓	✓
MP324 U Jaw	✓	✓

Cat Pin Grabber Coupler

Undercarriage	L	
Counterweight	—	
Boom Type	Reach	Reach HD
Stick Length	2.50 m (8'2")	2.95 m HD (9'8")
MP318 CC Jaw	✓	✓
MP318 D Jaw	✓	✓
MP318 P Jaw	✓	✓
MP318 S Jaw	✓	✓
MP318 U Jaw	✓	✓
MP324 CC Jaw	✓	
MP324 D Jaw	✓	
MP324 P Jaw	✓*	
MP324 S Jaw	✓	✓*
MP324 TS Jaw	✓	
MP324 U Jaw	✓	

(continued on next page)

Multi-Processors Technical Specifications

Matching – Tracked Excavators *(continued)*

 Match

 * Working Range Front Only

 No Match

326D2 *(continued)*

CW-40 Dedicated Coupler

Undercarriage	L	
Counterweight	—	
Boom Type	Reach	Reach HD
Stick Length	2.50 m (8'2")	2.95 m HD (9'8")
MP318 CC Jaw	✓	✓
MP318 D Jaw	✓	✓
MP318 P Jaw	✓	✓
MP318 S Jaw	✓	✓
MP318 U Jaw	✓	✓
MP324 CC Jaw	✓	✓
MP324 D Jaw	✓	✓
MP324 P Jaw	✓	✓*
MP324 S Jaw	✓	✓
MP324 TS Jaw	✓	✓*
MP324 U Jaw	✓	✓

326F

Pin-on

Undercarriage	L				
Counterweight	—				
Boom Type	Reach HD			VA	
Stick Length	2.50 m HD (8'2")	2.95 m HD (9'8")	3.60 m HD (11'10")	2.50 m HD (8'2")	2.95 m HD (9'8")
MP318 CC Jaw	✓	✓	✓	✓	✓
MP318 D Jaw	✓	✓	✓	✓	✓
MP318 P Jaw	✓	✓	✓	✓	✓
MP318 S Jaw	✓	✓	✓	✓	✓
MP318 U Jaw	✓	✓	✓	✓	✓
MP324 CC Jaw	✓	✓	✓	✓	✓
MP324 D Jaw	✓	✓	✓*	✓	✓
MP324 P Jaw	✓	✓	✓*	✓	✓
MP324 S Jaw	✓	✓	✓	✓	✓
MP324 TS Jaw	✓	✓	✓*	✓	✓
MP324 U Jaw	✓	✓	✓*	✓	✓

(continued on next page)

Multi-Processors Technical Specifications

Matching – Tracked Excavators *(continued)*

 Match

 * Working Range Front Only

 No Match

326F *(continued)*

Pin-on *(continued)*

Undercarriage	LN			
Counterweight	—			
Boom Type	Reach HD		VA	
Stick Length	2.50 m HD (8'2")	2.95 m HD (9'8")	2.50 m HD (8'2")	2.95 m HD (9'8")
MP318 CC Jaw	✓	✓	✓	✓
MP318 D Jaw	✓	✓	✓	✓
MP318 P Jaw	✓	✓	✓	✓
MP318 S Jaw	✓	✓	✓	✓
MP318 U Jaw	✓	✓	✓	✓
MP324 CC Jaw	✓	✓	✓	✓*
MP324 D Jaw	✓	✓	✓	✓*
MP324 P Jaw	✓	✓*	✓*	
MP324 S Jaw	✓	✓	✓	✓*
MP324 TS Jaw	✓	✓	✓*	
MP324 U Jaw	✓	✓	✓*	

Cat Pin Grabber Coupler

Undercarriage	L				
Counterweight	—				
Boom Type	Reach HD			VA	
Stick Length	2.50 m HD (8'2")	2.95 m HD (9'8")	3.60 m HD (11'10")	2.50 m HD (8'2")	2.95 m HD (9'8")
MP318 CC Jaw	✓	✓	✓	✓	✓
MP318 D Jaw	✓	✓	✓	✓	✓
MP318 P Jaw	✓	✓	✓	✓	✓
MP318 S Jaw	✓	✓	✓	✓	✓
MP318 U Jaw	✓	✓	✓	✓	✓
MP324 CC Jaw	✓	✓*		✓*	
MP324 D Jaw	✓	✓*		✓*	
MP324 P Jaw	✓*				
MP324 S Jaw	✓	✓		✓*	
MP324 TS Jaw	✓				
MP324 U Jaw	✓	✓*			

(continued on next page)

Multi-Processors Technical Specifications

Matching – Tracked Excavators *(continued)*

 Match

 * Working Range Front Only

 No Match

326F *(continued)*

Cat Pin Grabber Coupler *(continued)*

Undercarriage	LN			
Counterweight	—			
Boom Type	Reach HD		VA	
Stick Length	2.50 m HD (8'2")	2.95 m HD (9'8")	2.50 m HD (8'2")	2.95 m HD (9'8")
MP318 CC Jaw	✓	✓	✓	✓
MP318 D Jaw	✓	✓	✓	✓
MP318 P Jaw	✓	✓	✓	✓*
MP318 S Jaw	✓	✓	✓	✓
MP318 U Jaw	✓	✓	✓	✓
MP324 CC Jaw	✓*			
MP324 D Jaw				
MP324 P Jaw				
MP324 S Jaw	✓*			
MP324 TS Jaw				
MP324 U Jaw				

CW-40 Dedicated Coupler

Undercarriage	L				LN			
Counterweight	—				—			
Boom Type	Reach HD		VA		Reach HD		VA	
Stick Length	2.50 m HD (8'2")	2.95 m HD (9'8")	2.50 m HD (8'2")	2.95 m HD (9'8")	2.50 m HD (8'2")	2.95 m HD (9'8")	2.50 m HD (8'2")	2.95 m HD (9'8")
MP318 CC Jaw	✓	✓	✓	✓	✓	✓	✓	✓
MP318 D Jaw	✓	✓	✓	✓	✓	✓	✓	✓
MP318 P Jaw	✓	✓	✓	✓	✓	✓	✓	✓
MP318 S Jaw	✓	✓	✓	✓	✓	✓	✓	✓
MP318 U Jaw	✓	✓	✓	✓	✓	✓	✓	✓
MP324 CC Jaw	✓	✓	✓	✓*	✓	✓*	✓*	
MP324 D Jaw	✓	✓	✓	✓*	✓	✓*	✓*	
MP324 P Jaw	✓	✓	✓	✓*	✓*			
MP324 S Jaw	✓	✓	✓	✓	✓	✓	✓*	
MP324 TS Jaw	✓	✓	✓	✓*	✓			
MP324 U Jaw	✓	✓	✓	✓*	✓	✓*		

(continued on next page)

Multi-Processors Technical Specifications

Matching – Tracked Excavators *(continued)*

 Match

 * Working Range Front Only

 No Match

329D2

Pin-on

Undercarriage	—				
Counterweight	—				
Boom Type	Reach		Reach HD		ME
Stick Length	2.65 m (8'8")	3.20 m (10'6")	2.65 m HD (8'8")	3.20 m HD (10'6")	2.50 m (8'2")
MP324 CC Jaw	✓	✓	✓	✓	✓
MP324 D Jaw	✓	✓	✓	✓*	✓
MP324 P Jaw	✓	✓	✓	✓*	✓
MP324 S Jaw	✓	✓	✓	✓	✓
MP324 TS Jaw	✓	✓	✓	✓*	✓
MP324 U Jaw	✓	✓	✓	✓*	✓

Pin-on *(continued)*

Undercarriage	L				
Counterweight	—				
Boom Type	Reach		Reach HD		ME
Stick Length	2.65 m (8'8")	3.20 m (10'6")	2.65 m HD (8'8")	3.20 m HD (10'6")	2.50 m (8'2")
MP324 CC Jaw	✓	✓	✓	✓	✓
MP324 D Jaw	✓	✓	✓	✓	✓
MP324 P Jaw	✓	✓	✓	✓	✓
MP324 S Jaw	✓	✓	✓	✓	✓
MP324 TS Jaw	✓	✓	✓	✓	✓
MP324 U Jaw	✓	✓	✓	✓	✓

CW-45s Dedicated Coupler

Undercarriage	—			
Counterweight	—			
Boom Type	Reach		Reach HD	ME
Stick Length	2.65 m (8'8")	3.20 m (10'6")	2.65 m HD (8'8")	2.50 m (8'2")
MP324 CC Jaw	✓		✓*	✓
MP324 D Jaw	✓*		✓*	✓
MP324 P Jaw	✓*			✓
MP324 S Jaw	✓	✓*	✓	✓
MP324 TS Jaw	✓*		✓*	✓
MP324 U Jaw	✓*		✓*	✓

CW-45s Dedicated Coupler *(continued)*

Undercarriage	L				
Counterweight	—				
Boom Type	Reach		Reach HD		ME
Stick Length	2.65 m (8'8")	3.20 m (10'6")	2.65 m HD (8'8")	3.20 m HD (10'6")	2.50 m (8'2")
MP324 CC Jaw	✓	✓	✓	✓*	✓
MP324 D Jaw	✓	✓	✓	✓*	✓
MP324 P Jaw	✓	✓*	✓	✓*	✓
MP324 S Jaw	✓	✓	✓	✓	✓
MP324 TS Jaw	✓	✓*	✓	✓*	✓
MP324 U Jaw	✓	✓	✓	✓*	✓

(continued on next page)

Multi-Processors Technical Specifications

Matching – Tracked Excavators *(continued)*

Match

* Working Range Front Only

No Match

329D2 *(continued)*

CW-45 Dedicated Coupler

Undercarriage	—			L				
Counterweight	—							
Boom Type	Reach	Reach HD	ME	Reach		Reach HD		ME
Stick Length	2.65 m (8'8")	2.65 m HD (8'8")	2.50 m (8'2")	2.65 m (8'8")	3.20 m (10'6")	2.65 m HD (8'8")	3.20 m HD (10'6")	2.50 m (8'2")
MP324 CC Jaw	✓*	✓*	✓	✓	✓	✓	✓*	✓
MP324 D Jaw	✓*	✓*	✓	✓	✓*	✓	✓*	✓
MP324 P Jaw			✓	✓	✓*	✓	✓*	✓
MP324 S Jaw	✓	✓*	✓	✓	✓	✓	✓*	✓
MP324 TS Jaw	✓*		✓	✓	✓*	✓	✓*	✓
MP324 U Jaw	✓*		✓	✓	✓*	✓	✓*	✓

329F

Pin-on

Undercarriage	L	
Counterweight	—	
Boom Type	Reach HD	Reach HD
Stick Length	3.20 m HD (10'6")	3.75 m HD (12'4")
MP324 CC Jaw	✓	✓
MP324 D Jaw	✓	✓
MP324 P Jaw	✓	✓
MP324 S Jaw	✓	✓
MP324 TS Jaw	✓	✓
MP324 U Jaw	✓	✓

330D2

Pin-on

Undercarriage	L			
Counterweight	—			
Boom Type	Reach	Reach HD		ME
Stick Length	2.65 m (8'8")	2.65 m HD (8'8")	3.20 m HD (10'6")	2.50 m (8'2")
MP324 CC Jaw	✓	✓	✓	✓
MP324 D Jaw	✓	✓	✓	✓
MP324 P Jaw	✓	✓	✓	✓
MP324 S Jaw	✓	✓	✓	✓
MP324 TS Jaw	✓	✓	✓	✓
MP324 U Jaw	✓	✓	✓	✓
MP332 CC Jaw				✓
MP332 D Jaw				✓
MP332 P Jaw				✓
MP332 S Jaw				✓
MP332 TS Jaw				✓

(continued on next page)

Multi-Processors Technical Specifications

Matching – Tracked Excavators *(continued)*

 Match

 * Working Range Front Only

 No Match

330D2 *(continued)*

Cat Pin Grabber Coupler

Undercarriage	L			
Counterweight	—			
Boom Type	Reach	Reach HD		ME
Stick Length	2.65 m (8'8")	2.65 m HD (8'8")	3.20 m HD (10'6")	2.50 m (8'2")
MP324 CC Jaw	✓	✓	✓*	✓
MP324 D Jaw	✓	✓	✓*	✓
MP324 P Jaw	✓	✓		✓
MP324 S Jaw	✓	✓	✓	✓
MP324 TS Jaw	✓	✓		✓
MP324 U Jaw	✓	✓	✓*	✓
MP332 CC Jaw				✓
MP332 D Jaw				✓*
MP332 P Jaw				✓*
MP332 S Jaw				✓

CW-45s Dedicated Coupler

Undercarriage	L			
Counterweight	—			
Boom Type	Reach	Reach HD		ME
Stick Length	2.65 m (8'8")	2.65 m HD (8'8")	3.20 m HD (10'6")	2.50 m (8'2")
MP324 CC Jaw	✓	✓	✓*	✓
MP324 D Jaw	✓	✓	✓*	✓
MP324 P Jaw	✓	✓	✓*	✓
MP324 S Jaw	✓	✓	✓	✓
MP324 TS Jaw	✓	✓	✓*	✓
MP324 U Jaw	✓	✓	✓*	✓
MP332 CC Jaw				✓
MP332 D Jaw				✓
MP332 P Jaw				✓
MP332 S Jaw				✓

(continued on next page)

Multi-Processors Technical Specifications

Matching – Tracked Excavators *(continued)*

 Match

 * Working Range Front Only

 No Match

330D2 *(continued)*

CW-45 Dedicated Coupler

Undercarriage	L			
Counterweight	—			
Boom Type	Reach	Reach HD		ME
Stick Length	2.65 m (8'8")	2.65 m HD (8'8")	3.20 m HD (10'6")	2.50 m (8'2")
MP324 CC Jaw	✓	✓	✓*	✓
MP324 D Jaw	✓	✓	✓*	✓
MP324 P Jaw	✓	✓		✓
MP324 S Jaw	✓	✓	✓*	✓
MP324 TS Jaw	✓	✓		✓
MP324 U Jaw	✓	✓	✓*	✓
MP332 CC Jaw				✓
MP332 D Jaw				✓
MP332 P Jaw				✓
MP332 S Jaw				✓

330F

Pin-on

Undercarriage	L			LN	
Counterweight	—			—	
Boom Type	Reach HD			Reach HD	
Stick Length	2.65 m HD (8'8")	3.20 m HD (10'6")	3.75 m HD (12'4")	2.65 m HD (8'8")	3.20 m HD (10'6")
MP324 CC Jaw	✓	✓	✓	✓	✓
MP324 D Jaw	✓	✓	✓	✓	✓
MP324 P Jaw	✓	✓	✓	✓	✓
MP324 S Jaw	✓	✓	✓	✓	✓
MP324 TS Jaw	✓	✓	✓	✓	✓
MP324 U Jaw	✓	✓	✓	✓	✓

Cat Pin Grabber Coupler

Undercarriage	L			LN	
Counterweight	—			—	
Boom Type	Reach HD			Reach HD	
Stick Length	2.65 m HD (8'8")	3.20 m HD (10'6")	3.75 m HD (12'4")	2.65 m HD (8'8")	3.20 m HD (10'6")
MP324 CC Jaw	✓	✓	✓*	✓	✓*
MP324 D Jaw	✓	✓	✓*	✓	✓*
MP324 P Jaw	✓	✓	✓*	✓	✓*
MP324 S Jaw	✓	✓	✓	✓	✓
MP324 TS Jaw	✓	✓	✓*	✓	✓*
MP324 U Jaw	✓	✓	✓*	✓	✓*

(continued on next page)

Multi-Processors Technical Specifications

Matching – Tracked Excavators *(continued)*

Match

* Working Range Front Only

No Match

330F *(continued)*

CW-45s Dedicated Coupler

Undercarriage	L		LN	
Counterweight	—		—	
Boom Type	Reach HD		Reach HD	
Stick Length	2.65 m HD (8'8")	3.20 m HD (10'6")	2.65 m HD (8'8")	3.20 m HD (10'6")
MP324 CC Jaw	✓	✓	✓	✓
MP324 D Jaw	✓	✓	✓	✓
MP324 P Jaw	✓	✓	✓	✓*
MP324 S Jaw	✓	✓	✓	✓
MP324 TS Jaw	✓	✓	✓	✓*
MP324 U Jaw	✓	✓	✓	✓*

CW-45 Dedicated Coupler

Undercarriage	L		LN	
Counterweight	—		—	
Boom Type	Reach HD		Reach HD	
Stick Length	2.65 m HD (8'8")	3.20 m HD (10'6")	2.65 m HD (8'8")	3.20 m HD (10'6")
MP324 CC Jaw	✓	✓	✓	✓*
MP324 D Jaw	✓	✓	✓	✓*
MP324 P Jaw	✓	✓	✓	✓*
MP324 S Jaw	✓	✓	✓	✓
MP324 TS Jaw	✓	✓	✓	✓*
MP324 U Jaw	✓	✓	✓	✓*

330 GC

Pin-on

Undercarriage	—						L	
Counterweight	5.8 mt			6.7 mt			6.7 mt	
Boom Type	Reach		ME	Reach		ME	Reach	
Stick Length	2.65 m (8'8")	3.20 m (10'6")	2.50 m (8'2")	2.65 m (8'8")	3.20 m (10'6")	2.50 m (8'2")	2.65 m (8'8")	3.20 m (10'6")
MP324 CC Jaw	✓	✓	✓	✓	✓	✓	✓	✓
MP324 D Jaw	✓	✓	✓	✓	✓	✓	✓	✓
MP324 P Jaw	✓	✓	✓	✓	✓	✓	✓	✓
MP324 S Jaw	✓	✓	✓	✓	✓	✓	✓	✓
MP324 TS Jaw	✓	✓	✓	✓	✓	✓	✓	✓
MP324 U Jaw	✓	✓	✓	✓	✓	✓	✓	✓
MP332 CC Jaw								
MP332 D Jaw								
MP332 P Jaw								
MP332 S Jaw								
MP332 TS Jaw								
MP332 U Jaw			✓			✓		

(continued on next page)

Multi-Processors Technical Specifications

Matching – Tracked Excavators *(continued)*

Match

* Working Range Front Only

No Match

330 GC *(continued)*

Cat Pin Grabber Coupler

Undercarriage	—						L	
Counterweight	5.8 mt			6.7 mt			6.7 mt	
Boom Type	Reach		ME	Reach		ME	Reach	
Stick Length	2.65 m (8'8")	3.20 m (10'6")	2.50 m (8'2")	2.65 m (8'8")	3.20 m (10'6")	2.50 m (8'2")	2.65 m (8'8")	3.20 m (10'6")
MP324 CC Jaw	✓*		✓	✓	✓	✓	✓	✓
MP324 D Jaw	✓*		✓	✓	✓	✓	✓	✓
MP324 P Jaw			✓	✓	✓*	✓	✓	✓
MP324 S Jaw	✓	✓*	✓	✓	✓	✓	✓	✓
MP324 TS Jaw	✓*		✓	✓	✓*	✓	✓	✓
MP324 U Jaw	✓*		✓	✓	✓	✓	✓	✓
MP332 U Jaw						✓*		

CW-45s Dedicated Coupler

Undercarriage	—						L	
Counterweight	5.8 mt			6.7 mt			6.7 mt	
Boom Type	Reach		ME	Reach		ME	Reach	
Stick Length	2.65 m (8'8")	3.20 m (10'6")	2.50 m (8'2")	2.65 m (8'8")	3.20 m (10'6")	2.50 m (8'2")	2.65 m (8'8")	3.20 m (10'6")
MP324 CC Jaw	✓		✓	✓	✓	✓	✓	✓
MP324 D Jaw	✓		✓	✓	✓	✓	✓	✓
MP324 P Jaw	✓*		✓	✓	✓	✓	✓	✓
MP324 S Jaw	✓	✓*	✓	✓	✓	✓	✓	✓
MP324 TS Jaw	✓*		✓	✓	✓	✓	✓	✓
MP324 U Jaw	✓*		✓	✓	✓	✓	✓	✓
MP332 U Jaw						✓		

CW-45 Dedicated Coupler

Undercarriage	—						L	
Counterweight	5.8 mt		6.7 mt			6.7 mt		
Boom Type	Reach	ME	Reach		ME	Reach		
Stick Length	2.65 m (8'8")	2.50 m (8'2")	2.65 m (8'8")	3.20 m (10'6")	2.50 m (8'2")	2.65 m (8'8")	3.20 m (10'6")	
MP324 CC Jaw	✓*	✓	✓	✓	✓	✓	✓	
MP324 D Jaw	✓*	✓	✓	✓	✓	✓	✓	
MP324 P Jaw		✓	✓	✓*	✓	✓	✓	
MP324 S Jaw	✓	✓	✓	✓	✓	✓	✓	
MP324 TS Jaw	✓*	✓	✓	✓*	✓	✓	✓	
MP324 U Jaw	✓*	✓	✓	✓*	✓	✓	✓	
MP332 U Jaw					✓*			

(continued on next page)

Multi-Processors Technical Specifications

Matching – Tracked Excavators *(continued)*

 Match

 * Working Range Front Only

 No Match

330

Pin-on

Undercarriage	L						LN	
Counterweight	6.7 mt						6.7 mt	
Boom Type	Reach			Reach HD		ME	Reach	
Stick Length	3.75 m (12'4")	2.65 m (8'8")	3.20 m (10'6")	2.65 m HD (8'8")	3.20 m HD (10'6")	2.50 m (8'2")	2.65 m (8'8")	3.20 m (10'6")
MP324 CC Jaw	✓	✓	✓	✓	✓	✓	✓	✓
MP324 D Jaw	✓	✓	✓	✓	✓	✓	✓	✓
MP324 P Jaw	✓	✓	✓	✓	✓	✓	✓	✓
MP324 S Jaw	✓	✓	✓	✓	✓	✓	✓	✓
MP324 TS Jaw	✓	✓	✓	✓	✓	✓	✓	✓
MP324 U Jaw	✓	✓	✓	✓	✓	✓	✓	✓
MP332 U Jaw						✓		

Cat Pin Grabber Coupler

Undercarriage	L						LN	
Counterweight	6.7 mt						6.7 mt	
Boom Type	Reach			Reach HD		ME	Reach	
Stick Length	2.65 m (8'8")	3.20 m (10'6")	3.75 m (12'4")	2.65 m HD (8'8")	3.20 m HD (10'6")	2.50 m (8'2")	2.65 m (8'8")	3.20 m (10'6")
MP324 CC Jaw	✓	✓	✓	✓	✓	✓	✓	✓
MP324 D Jaw	✓	✓	✓	✓	✓	✓	✓	✓
MP324 P Jaw	✓	✓	✓	✓	✓	✓	✓	✓
MP324 S Jaw	✓	✓	✓	✓	✓	✓	✓	✓
MP324 TS Jaw	✓	✓	✓	✓	✓	✓	✓	✓
MP324 U Jaw	✓	✓	✓	✓	✓	✓	✓	✓
MP332 U Jaw						✓		

CW-45s Dedicated Coupler

Undercarriage	L					LN	
Counterweight	6.7 mt					6.7 mt	
Boom Type	Reach		Reach HD		ME	Reach	
Stick Length	2.65 m (8'8")	3.20 m (10'6")	2.65 m HD (8'8")	3.20 m HD (10'6")	2.50 m (8'2")	2.65 m (8'8")	3.20 m (10'6")
MP324 CC Jaw	✓	✓	✓	✓	✓	✓	✓
MP324 D Jaw	✓	✓	✓	✓	✓	✓	✓
MP324 P Jaw	✓	✓	✓	✓	✓	✓	✓
MP324 S Jaw	✓	✓	✓	✓	✓	✓	✓
MP324 TS Jaw	✓	✓	✓	✓	✓	✓	✓
MP324 U Jaw	✓	✓	✓	✓	✓	✓	✓
MP332 U Jaw					✓		

(continued on next page)

Multi-Processors Technical Specifications

Matching – Tracked Excavators *(continued)*

 Match

 * Working Range Front Only

 No Match

330 *(continued)*

CW-45 Dedicated Coupler

Undercarriage	L					LN	
Counterweight	6.7 mt					6.7 mt	
Boom Type	Reach		Reach HD		ME	Reach	
Stick Length	2.65 m (8'8")	3.20 m (10'6")	2.65 m HD (8'8")	3.20 m HD (10'6")	2.50 m (8'2")	2.65 m (8'8")	3.20 m (10'6")
MP324 CC Jaw	✓	✓	✓	✓	✓	✓	✓
MP324 D Jaw	✓	✓	✓	✓	✓	✓	✓
MP324 P Jaw	✓	✓	✓	✓	✓	✓	✓
MP324 S Jaw	✓	✓	✓	✓	✓	✓	✓
MP324 TS Jaw	✓	✓	✓	✓	✓	✓	✓
MP324 U Jaw	✓	✓	✓	✓	✓	✓	✓
MP332 CC Jaw							
MP332 D Jaw							
MP332 P Jaw							
MP332 S Jaw							
MP332 TS Jaw							
MP332 U Jaw					✓		

335F CR

Pin-on

Undercarriage	L		
Counterweight	—		
Boom Type	Reach HD		
Stick Length	3.75 m HD (12'4")	2.65 m HD (8'8")	3.20 m HD (10'6")
MP324 CC Jaw	✓	✓	✓
MP324 D Jaw	✓	✓	✓
MP324 P Jaw	✓	✓	✓
MP324 S Jaw	✓	✓	✓
MP324 TS Jaw	✓	✓	✓
MP324 U Jaw	✓	✓	✓

Cat Pin Grabber Coupler

Undercarriage	L		
Counterweight	—		
Boom Type	Reach HD		
Stick Length	2.65 m HD (8'8")	3.20 m HD (10'6")	3.75 m HD (12'4")
MP324 CC Jaw	✓	✓	✓
MP324 D Jaw	✓	✓	✓
MP324 P Jaw	✓	✓	✓*
MP324 S Jaw	✓	✓	✓
MP324 TS Jaw	✓	✓	✓*
MP324 U Jaw	✓	✓	✓*

(continued on next page)

Multi-Processors Technical Specifications

Matching – Tracked Excavators *(continued)*

 Match

 * Working Range Front Only

 No Match

335F CR *(continued)*

CW-45s Dedicated Coupler

Undercarriage	L	
Counterweight	—	
Boom Type	Reach HD	
Stick Length	2.65 m HD (8'8")	3.20 m HD (10'6")
MP324 CC Jaw	✓	✓
MP324 D Jaw	✓	✓
MP324 P Jaw	✓	✓
MP324 S Jaw	✓	✓
MP324 TS Jaw	✓	✓
MP324 U Jaw	✓	✓

CW-45 Dedicated Coupler

Undercarriage	L	
Counterweight	—	
Boom Type	Reach HD	
Stick Length	2.65 m HD (8'8")	3.20 m HD (10'6")
MP324 CC Jaw	✓	✓
MP324 D Jaw	✓	✓
MP324 P Jaw	✓	✓
MP324 S Jaw	✓	✓
MP324 TS Jaw	✓	✓
MP324 U Jaw	✓	✓

336D2 GC

Pin-on

Undercarriage	—
Counterweight	—
Boom Type	Reach
Stick Length	2.80 m (9'2")
MP324 CC Jaw	✓
MP324 D Jaw	✓
MP324 P Jaw	✓
MP324 S Jaw	✓
MP324 TS Jaw	✓
MP324 U Jaw	✓
MP332 CC Jaw	✓
MP332 D Jaw	✓
MP332 P Jaw	✓
MP332 S Jaw	✓
MP332 TS Jaw	
MP332 U Jaw	

(continued on next page)

Matching – Tracked Excavators *(continued)*

 Match

 * Working Range Front Only

 No Match

336D2 GC *(continued)*

Cat Pin Grabber Coupler

Undercarriage	—
Counterweight	—
Boom Type	Reach
Stick Length	2.80 m (9'2")
MP324 CC Jaw	✓
MP324 D Jaw	✓
MP324 P Jaw	✓
MP324 S Jaw	✓
MP324 TS Jaw	✓
MP324 U Jaw	✓

CW-45s Dedicated Coupler

Undercarriage	—
Counterweight	—
Boom Type	Reach
Stick Length	2.80 m (9'2")
MP324 CC Jaw	✓
MP324 D Jaw	✓
MP324 P Jaw	✓
MP324 S Jaw	✓
MP324 TS Jaw	✓
MP324 U Jaw	✓
MP332 CC Jaw	
MP332 D Jaw	
MP332 P Jaw	
MP332 S Jaw	✓*
MP332 TS Jaw	
MP332 U Jaw	

CW-45 Dedicated Coupler

Undercarriage	—
Counterweight	—
Boom Type	Reach
Stick Length	2.80 m (9'2")
MP324 CC Jaw	✓
MP324 D Jaw	✓
MP324 P Jaw	✓
MP324 S Jaw	✓
MP324 TS Jaw	✓
MP324 U Jaw	✓

(continued on next page)

Multi-Processors Technical Specifications

Matching – Tracked Excavators *(continued)*

 Match

 * Working Range Front Only

 No Match

336D2

Pin-on

Undercarriage	L				
Counterweight	—				
Boom Type	Reach HD			ME	
Stick Length	3.20 m (10'6")	3.20 m HD (10'6")	3.90 m HD (12'10")	2.15 m (7'1")	2.55 m (8'4")
MP324 CC Jaw	✓	✓	✓		
MP324 D Jaw	✓	✓	✓		
MP324 P Jaw	✓	✓	✓		
MP324 S Jaw	✓	✓	✓		
MP324 TS Jaw	✓	✓	✓		
MP324 U Jaw	✓	✓	✓		
MP332 CC Jaw	✓	✓	✓*	✓	✓
MP332 D Jaw	✓	✓	✓*	✓	✓
MP332 P Jaw	✓	✓	✓*	✓	✓
MP332 S Jaw	✓	✓	✓	✓	✓
MP332 TS Jaw	✓*	✓*		✓	✓
MP345 CC Jaw				✓	✓*
MP345 D Jaw				✓*	
MP345 P Jaw				✓*	
MP345 S Jaw				✓	✓*

Cat Pin Grabber Coupler

Undercarriage	L				
Counterweight	—				
Boom Type	Reach HD			ME	
Stick Length	3.20 m (10'6")	3.20 m HD (10'6")	3.90 m (12'10")	2.15 m (7'1")	2.55 m (8'4")
MP324 CC Jaw	✓	✓	✓*		
MP324 D Jaw	✓	✓	✓*		
MP324 P Jaw	✓	✓	✓*		
MP324 S Jaw	✓	✓	✓		
MP324 TS Jaw	✓	✓	✓*		
MP324 U Jaw	✓	✓	✓*		
MP332 CC Jaw	✓*			✓	✓*
MP332 D Jaw				✓	✓*
MP332 P Jaw				✓*	
MP332 S Jaw	✓*			✓	✓*
MP332 TS Jaw					
MP332 U Jaw					

(continued on next page)

Multi-Processors Technical Specifications

Matching – Tracked Excavators *(continued)*

Match

* Working Range Front Only

No Match

336D2 *(continued)*

CW-45s Dedicated Coupler

Undercarriage	L			
Counterweight	—			
Boom Type	Reach HD		ME	
Stick Length	3.20 m HD (10'6")	3.90 m (12'10")	2.15 m (7'1")	2.55 m (8'4")
MP324 CC Jaw	✓	✓		
MP324 D Jaw	✓	✓		
MP324 P Jaw	✓	✓		
MP324 S Jaw	✓	✓		
MP324 TS Jaw	✓	✓		
MP324 U Jaw	✓	✓		
MP332 CC Jaw	✓*		✓	✓
MP332 D Jaw			✓	✓
MP332 P Jaw			✓	✓
MP332 S Jaw	✓*		✓	✓
MP332 TS Jaw			✓	✓*
MP332 U Jaw				

CW-45 Dedicated Coupler

Undercarriage	L				
Counterweight	—				
Boom Type	Reach HD			ME	
Stick Length	3.20 m (10'6")	3.20 m HD (10'6")	3.90 m (12'10")	2.15 m (7'1")	2.55 m (8'4")
MP324 CC Jaw	✓	✓	✓		
MP324 D Jaw	✓	✓	✓		
MP324 P Jaw	✓	✓	✓*		
MP324 S Jaw	✓	✓	✓		
MP324 TS Jaw	✓	✓	✓*		
MP324 U Jaw	✓	✓	✓*		
MP332 CC Jaw	✓*	✓*		✓	✓
MP332 D Jaw	✓*			✓	✓
MP332 P Jaw	✓*			✓	✓
MP332 S Jaw	✓	✓*		✓	✓
MP332 TS Jaw				✓	✓*
MP332 U Jaw					

(continued on next page)

Multi-Processors Technical Specifications

Matching – Tracked Excavators *(continued)*

 Match

 * Working Range Front Only

 No Match

336D2 XE

Pin-on

Undercarriage	L		
Counterweight	—		
Boom Type	Reach HD	ME	
Stick Length	3.20 m (10'6")	2.15 m (7'1")	2.55 m (8'4")
MP324 CC Jaw	✓		
MP324 D Jaw	✓		
MP324 P Jaw	✓		
MP324 S Jaw	✓		
MP324 TS Jaw	✓		
MP324 U Jaw	✓		
MP332 CC Jaw	✓	✓	✓
MP332 D Jaw	✓	✓	✓
MP332 P Jaw	✓	✓	✓
MP332 S Jaw	✓	✓	✓
MP332 TS Jaw	✓*	✓	✓
MP332 U Jaw			
MP345 CC Jaw		✓	✓*
MP345 D Jaw		✓*	
MP345 P Jaw		✓*	
MP345 S Jaw		✓	✓*

Cat Pin Grabber Coupler

Undercarriage	L		
Counterweight	—		
Boom Type	Reach HD	ME	
Stick Length	3.20 m (10'6")	2.15 m (7'1")	2.55 m (8'4")
MP324 CC Jaw	✓		
MP324 D Jaw	✓		
MP324 P Jaw	✓		
MP324 S Jaw	✓		
MP324 TS Jaw	✓		
MP324 U Jaw	✓		
MP332 CC Jaw	✓*	✓	✓*
MP332 D Jaw		✓	✓*
MP332 P Jaw		✓	
MP332 S Jaw	✓*	✓	✓*
MP332 TS Jaw			
MP332 U Jaw			

(continued on next page)

Multi-Processors Technical Specifications

Matching – Tracked Excavators *(continued)*

 Match

 * Working Range Front Only

 No Match

336D2 XE *(continued)*

CW-45 Dedicated Coupler

Undercarriage	L		
Counterweight	—		
Boom Type	Reach HD	ME	
Stick Length	3.20 m (10'6")	2.15 m (7'1")	2.55 m (8'4")
MP324 CC Jaw	✓		
MP324 D Jaw	✓		
MP324 P Jaw	✓		
MP324 S Jaw	✓		
MP324 TS Jaw	✓		
MP324 U Jaw	✓		
MP332 CC Jaw	✓*	✓	✓
MP332 D Jaw	✓*	✓	✓
MP332 P Jaw	✓*	✓	✓
MP332 S Jaw	✓	✓	✓
MP332 TS Jaw		✓	✓*
MP332 U Jaw			

336F

Pin-on

Undercarriage	L							
Counterweight	6.0 mt			7.0 mt				
Boom Type	Reach HD			Reach HD		Reach ES		ME
Stick Length	3.20 m HD (10'6")	3.90 m HD (12'10")	2.80 m HD (9'2")	3.20 m HD (10'6")	3.90 m HD (12'10")	3.20 m ES (10'6")	3.90 m ES (12'10")	2.55 m (8'4")
MP324 CC Jaw	✓	✓	✓	✓	✓	✓	✓	
MP324 D Jaw	✓	✓	✓	✓	✓	✓	✓	
MP324 P Jaw	✓	✓	✓	✓	✓	✓	✓	
MP324 S Jaw	✓	✓	✓	✓	✓	✓	✓	
MP324 TS Jaw	✓	✓	✓	✓	✓	✓	✓	
MP324 U Jaw	✓	✓	✓	✓	✓	✓	✓	
MP332 CC Jaw	✓	✓	✓	✓	✓	✓	✓	✓
MP332 D Jaw	✓	✓	✓	✓	✓	✓	✓	✓
MP332 P Jaw	✓	✓	✓	✓	✓	✓	✓	✓
MP332 S Jaw	✓	✓	✓	✓	✓	✓	✓	✓
MP332 TS Jaw	✓	✓*	✓	✓	✓	✓	✓	✓
MP345 CC Jaw								✓
MP345 D Jaw								✓
MP345 P Jaw								✓
MP345 S Jaw								✓

(continued on next page)

Multi-Processors Technical Specifications

Matching – Tracked Excavators *(continued)*

 Match

 * Working Range Front Only

 No Match

336F *(continued)*

Pin-on *(continued)*

Undercarriage	L			LN				
	8.45 mt			7.0 mt			8.45 mt	
Counterweight	8.45 mt			7.0 mt			8.45 mt	
Boom Type	Straight		Reach HD			ME	Straight	
Stick Length	3.20 m HD (10'6")	3.90 m HD (12'10")	2.80 m HD (9'2")	3.20 m HD (10'6")	3.90 m HD (12'10")	2.55 m (8'4")	3.20 m HD (10'6")	3.90 m HD (12'10")
MP324 CC Jaw	✓	✓	✓	✓	✓		✓	✓
MP324 D Jaw	✓	✓	✓	✓	✓		✓	✓
MP324 P Jaw	✓	✓	✓	✓	✓		✓	✓
MP324 S Jaw	✓	✓	✓	✓	✓		✓	✓
MP324 TS Jaw	✓	✓	✓	✓	✓		✓	✓
MP324 U Jaw	✓	✓	✓	✓	✓		✓	✓
MP332 CC Jaw	✓	✓	✓	✓	✓	✓	✓	✓
MP332 D Jaw	✓	✓	✓	✓	✓	✓	✓	✓
MP332 P Jaw	✓	✓	✓	✓	✓	✓	✓	✓
MP332 S Jaw	✓	✓	✓	✓	✓	✓	✓	✓
MP332 TS Jaw	✓	✓	✓	✓	✓*	✓	✓	✓*
MP345 CC Jaw						✓*		
MP345 D Jaw						✓*		
MP345 P Jaw						✓*		
MP345 S Jaw						✓		

Cat Pin Grabber Coupler

Undercarriage	L							
	6.0 mt				7.0 mt			
Counterweight	6.0 mt				7.0 mt			
Boom Type	Reach HD		Reach ES		Reach HD			ME
Stick Length	3.20 m HD (10'6")	3.90 m HD (12'10")	3.20 m ES (10'6")	3.90 m ES (12'10")	2.80 m HD (9'2")	3.20 m HD (10'6")	3.90 m HD (12'10")	2.55 m (8'4")
MP324 CC Jaw	✓	✓	✓	✓	✓	✓	✓	
MP324 D Jaw	✓	✓	✓	✓	✓	✓	✓	
MP324 P Jaw	✓	✓	✓	✓	✓	✓	✓	
MP324 S Jaw	✓	✓	✓	✓	✓	✓	✓	
MP324 TS Jaw	✓	✓	✓	✓	✓	✓	✓	
MP324 U Jaw	✓	✓	✓	✓	✓	✓	✓	
MP332 CC Jaw	✓	✓*	✓	✓	✓	✓	✓*	✓
MP332 D Jaw	✓		✓	✓*	✓	✓	✓*	✓
MP332 P Jaw	✓		✓	✓*	✓	✓	✓*	✓
MP332 S Jaw	✓	✓*	✓	✓	✓	✓	✓	✓
MP332 TS Jaw			✓		✓	✓*		✓

(continued on next page)

Multi-Processors Technical Specifications

Matching – Tracked Excavators *(continued)*

 Match

 * Working Range Front Only

 No Match

336F *(continued)*

Cat Pin Grabber Coupler *(continued)*

Undercarriage	L			LN				
Counterweight	8.45 mt			7.0 mt			8.45 mt	
Boom Type	Straight		Reach HD			ME	Straight	
Stick Length	3.20 m HD (10'6")	3.90 m HD (12'10")	2.80 m HD (9'2")	3.20 m HD (10'6")	3.90 m HD (12'10")	2.55 m (8'4")	3.20 m HD (10'6")	3.90 m HD (12'10")
MP324 CC Jaw	✓	✓	✓	✓	✓		✓	✓
MP324 D Jaw	✓	✓	✓	✓	✓		✓	✓
MP324 P Jaw	✓	✓	✓	✓	✓		✓	✓
MP324 S Jaw	✓	✓	✓	✓	✓		✓	✓
MP324 TS Jaw	✓	✓	✓	✓	✓		✓	✓
MP324 U Jaw	✓	✓	✓	✓	✓		✓	✓
MP332 CC Jaw	✓	✓	✓	✓		✓	✓	
MP332 D Jaw	✓		✓	✓*		✓	✓	
MP332 P Jaw			✓	✓*		✓*		
MP332 S Jaw	✓	✓	✓	✓		✓	✓	✓*
MP332 TS Jaw			✓*					

CW-45s Dedicated Coupler

Undercarriage	L					
Counterweight	7.0 mt			8.45 mt		
Boom Type	Reach HD			ME	Straight	
Stick Length	2.80 m HD (9'2")	3.20 m HD (10'6")	3.90 m HD (12'10")	2.55 m (8'4")	3.20 m HD (10'6")	3.90 m HD (12'10")
MP324 CC Jaw	✓	✓	✓		✓	✓
MP324 D Jaw	✓	✓	✓		✓	✓
MP324 P Jaw	✓	✓	✓		✓	✓
MP324 S Jaw	✓	✓	✓		✓	✓
MP324 TS Jaw	✓	✓	✓		✓	✓
MP324 U Jaw	✓	✓	✓		✓	✓
MP332 CC Jaw	✓	✓	✓	✓	✓	✓
MP332 D Jaw	✓	✓	✓	✓	✓	✓
MP332 P Jaw	✓	✓	✓	✓	✓	✓
MP332 S Jaw	✓	✓	✓	✓	✓	✓
MP332 TS Jaw	✓	✓		✓		
MP345 CC Jaw				✓*		
MP345 D Jaw				✓*		
MP345 S Jaw				✓*		

(continued on next page)

Multi-Processors Technical Specifications

Matching – Tracked Excavators *(continued)*

 Match

 * Working Range Front Only

 No Match

336F *(continued)*

CW-45s Dedicated Coupler *(continued)*

Undercarriage	LN					
Counterweight	7.0 mt			8.45 mt		
Boom Type	Reach HD			ME	Straight	
Stick Length	2.80 m HD (9'2")	3.20 m HD (10'6")	3.90 m HD (12'10")	2.55 m (8'4")	3.20 m HD (10'6")	3.90 m HD (12'10")
MP324 CC Jaw	✓	✓	✓		✓	✓
MP324 D Jaw	✓	✓	✓		✓	✓
MP324 P Jaw	✓	✓	✓		✓	✓
MP324 S Jaw	✓	✓	✓		✓	✓
MP324 TS Jaw	✓	✓	✓		✓	✓
MP324 U Jaw	✓	✓	✓		✓	✓
MP332 CC Jaw	✓	✓	✓*	✓	✓	✓*
MP332 D Jaw	✓	✓		✓	✓	✓*
MP332 P Jaw	✓	✓		✓	✓	✓*
MP332 S Jaw	✓	✓	✓*	✓	✓	✓*
MP332 TS Jaw	✓*	✓*		✓		
MP345 CC Jaw						
MP345 D Jaw						
MP345 S Jaw						

CW-45 Dedicated Coupler

Undercarriage	L					
Counterweight	7.0 mt			8.45 mt		
Boom Type	Reach HD			ME	Straight	
Stick Length	2.80 m HD (9'2")	3.20 m HD (10'6")	3.90 m HD (12'10")	2.55 m (8'4")	3.20 m HD (10'6")	3.90 m HD (12'10")
MP324 CC Jaw	✓	✓	✓		✓	✓
MP324 D Jaw	✓	✓	✓		✓	✓
MP324 P Jaw	✓	✓	✓		✓	✓
MP324 S Jaw	✓	✓	✓		✓	✓
MP324 TS Jaw	✓	✓	✓		✓	✓
MP324 U Jaw	✓	✓	✓		✓	✓
MP332 CC Jaw	✓	✓	✓	✓	✓	✓
MP332 D Jaw	✓	✓	✓	✓	✓	✓
MP332 P Jaw	✓	✓	✓*	✓	✓	
MP332 S Jaw	✓	✓	✓	✓	✓	✓
MP332 TS Jaw	✓	✓		✓		
MP345 CC Jaw				✓*		
MP345 S Jaw				✓*		

(continued on next page)

Multi-Processors Technical Specifications

Matching – Tracked Excavators (continued)

 Match

 * Working Range Front Only

 No Match

336F (continued)

CW-45 Dedicated Coupler (continued)

Undercarriage	LN					
Counterweight	7.0 mt			8.45 mt		
Boom Type	Reach HD			ME	Straight	
Stick Length	2.80 m HD (9'2")	3.20 m HD (10'6")	3.90 m HD (12'10")	2.55 m (8'4")	3.20 m HD (10'6")	3.90 m HD (12'10")
MP324 CC Jaw	✓	✓	✓		✓	✓
MP324 D Jaw	✓	✓	✓		✓	✓
MP324 P Jaw	✓	✓	✓		✓	✓
MP324 S Jaw	✓	✓	✓		✓	✓
MP324 TS Jaw	✓	✓	✓		✓	✓
MP324 U Jaw	✓	✓	✓		✓	✓
MP332 CC Jaw	✓	✓	✓*	✓	✓	✓*
MP332 D Jaw	✓	✓		✓	✓	✓*
MP332 P Jaw	✓	✓		✓	✓	
MP332 S Jaw	✓	✓	✓*	✓	✓	✓*
MP332 TS Jaw	✓*	✓*		✓		
MP345 CC Jaw						
MP345 S Jaw						

336F XE

Pin-on

Undercarriage	L							
Counterweight	5.05 mt				6.05 mt			
Boom Type	Reach HD		Reach ES		Reach HD			ME
Stick Length	3.20 m HD (10'6")	3.90 m HD (12'10")	3.20 m ES (10'6")	3.90 m ES (12'10")	2.80 m HD (9'2")	3.20 m HD (10'6")	3.90 m HD (12'10")	2.55 m (8'4")
MP324 CC Jaw	✓	✓	✓	✓	✓	✓	✓	
MP324 D Jaw	✓	✓	✓	✓	✓	✓	✓	
MP324 P Jaw	✓	✓	✓	✓	✓	✓	✓	
MP324 S Jaw	✓	✓	✓	✓	✓	✓	✓	
MP324 TS Jaw	✓	✓	✓	✓	✓	✓	✓	
MP324 U Jaw	✓	✓	✓	✓	✓	✓	✓	
MP332 CC Jaw	✓	✓	✓	✓	✓	✓	✓	✓
MP332 D Jaw	✓	✓	✓	✓	✓	✓	✓	✓
MP332 P Jaw	✓	✓	✓	✓	✓	✓	✓	✓
MP332 S Jaw	✓	✓	✓	✓	✓	✓	✓	✓
MP332 TS Jaw	✓	✓*	✓	✓	✓	✓	✓	✓
MP345 CC Jaw								✓
MP345 D Jaw								✓
MP345 P Jaw								✓
MP345 S Jaw								✓

(continued on next page)

Multi-Processors Technical Specifications

Matching – Tracked Excavators *(continued)*

 Match

 * Working Range Front Only

 No Match

336F XE *(continued)*

Pin-on *(continued)*

Undercarriage	LN			
Counterweight	6.05 mt			
Boom Type	Reach HD			ME
Stick Length	2.80 m HD (9'2")	3.20 m HD (10'6")	3.90 m HD (12'10")	2.55 m (8'4")
MP324 CC Jaw	✓	✓	✓	
MP324 D Jaw	✓	✓	✓	
MP324 P Jaw	✓	✓	✓	
MP324 S Jaw	✓	✓	✓	
MP324 TS Jaw	✓	✓	✓	
MP324 U Jaw	✓	✓	✓	
MP332 CC Jaw	✓	✓	✓	✓
MP332 D Jaw	✓	✓	✓	✓
MP332 P Jaw	✓	✓	✓	✓
MP332 S Jaw	✓	✓	✓	✓
MP332 TS Jaw	✓	✓	✓*	✓
MP345 CC Jaw				✓*
MP345 D Jaw				✓*
MP345 P Jaw				✓*
MP345 S Jaw				✓

Cat Pin Grabber Coupler

Undercarriage	L							
Counterweight	5.05 mt				6.05 mt			
Boom Type	Reach HD		Reach ES		Reach HD			ME
Stick Length	3.20 m HD (10'6")	3.90 m HD (12'10")	3.20 m ES (10'6")	3.90 m ES (12'10")	2.80 m HD (9'2")	3.20 m HD (10'6")	3.90 m HD (12'10")	2.55 m (8'4")
MP324 CC Jaw	✓	✓	✓	✓	✓	✓	✓	
MP324 D Jaw	✓	✓	✓	✓	✓	✓	✓	
MP324 P Jaw	✓	✓	✓	✓	✓	✓	✓	
MP324 S Jaw	✓	✓	✓	✓	✓	✓	✓	
MP324 TS Jaw	✓	✓	✓	✓	✓	✓	✓	
MP324 U Jaw	✓	✓	✓	✓	✓	✓	✓	
MP332 CC Jaw	✓	✓*	✓	✓	✓	✓	✓*	✓
MP332 D Jaw	✓		✓	✓*	✓	✓	✓*	✓
MP332 P Jaw	✓		✓	✓*	✓	✓	✓*	✓
MP332 S Jaw	✓	✓*	✓	✓	✓	✓	✓	✓
MP332 TS Jaw			✓		✓	✓*		✓

(continued on next page)

Multi-Processors Technical Specifications

Matching – Tracked Excavators *(continued)*

 Match

 * Working Range Front Only

 No Match

336F XE *(continued)*

Cat Pin Grabber Coupler *(continued)*

Undercarriage	LN			
Counterweight	6.05 mt			
Boom Type	Reach HD			ME
Stick Length	2.80 m HD (9'2")	3.20 m HD (10'6")	3.90 m HD (12'10")	2.55 m (8'4")
MP324 CC Jaw	✓	✓	✓	
MP324 D Jaw	✓	✓	✓	
MP324 P Jaw	✓	✓	✓	
MP324 S Jaw	✓	✓	✓	
MP324 TS Jaw	✓	✓	✓	
MP324 U Jaw	✓	✓	✓	
MP332 CC Jaw	✓	✓		✓
MP332 D Jaw	✓	✓*		✓
MP332 P Jaw	✓	✓*		✓*
MP332 S Jaw	✓	✓		✓
MP332 TS Jaw	✓*			

CW-45s Dedicated Coupler

Undercarriage	L				LN			
Counterweight	6.05 mt				6.05 mt			
Boom Type	Reach HD			ME	Reach HD			ME
Stick Length	2.80 m HD (9'2")	3.20 m HD (10'6")	3.90 m HD (12'10")	2.55 m (8'4")	2.80 m HD (9'2")	3.20 m HD (10'6")	3.90 m HD (12'10")	2.55 m (8'4")
MP324 CC Jaw	✓	✓	✓		✓	✓	✓	
MP324 D Jaw	✓	✓	✓		✓	✓	✓	
MP324 P Jaw	✓	✓	✓		✓	✓	✓	
MP324 S Jaw	✓	✓	✓		✓	✓	✓	
MP324 TS Jaw	✓	✓	✓		✓	✓	✓	
MP324 U Jaw	✓	✓	✓		✓	✓	✓	
MP332 CC Jaw	✓	✓	✓	✓	✓	✓	✓*	✓
MP332 D Jaw	✓	✓	✓	✓	✓	✓		✓
MP332 P Jaw	✓	✓	✓	✓	✓	✓		✓
MP332 S Jaw	✓	✓	✓	✓	✓	✓	✓*	✓
MP332 TS Jaw	✓	✓		✓	✓*	✓*		✓
MP345 CC Jaw				✓*				
MP345 D Jaw				✓*				
MP345 S Jaw				✓*				

(continued on next page)

Multi-Processors Technical Specifications

Matching – Tracked Excavators *(continued)*

 Match

 * Working Range Front Only

 No Match

336F XE *(continued)*

CW-45 Dedicated Coupler

Undercarriage	L				LN			
Counterweight	6.05 mt				6.05 mt			
Boom Type	Reach HD			ME	Reach HD			ME
Stick Length	2.80 m HD (9'2")	3.20 m HD (10'6")	3.90 m HD (12'10")	2.55 m (8'4")	2.80 m HD (9'2")	3.20 m HD (10'6")	3.90 m HD (12'10")	2.55 m (8'4")
MP324 CC Jaw	✓	✓	✓		✓	✓	✓	
MP324 D Jaw	✓	✓	✓		✓	✓	✓	
MP324 P Jaw	✓	✓	✓		✓	✓	✓	
MP324 S Jaw	✓	✓	✓		✓	✓	✓	
MP324 TS Jaw	✓	✓	✓		✓	✓	✓	
MP324 U Jaw	✓	✓	✓		✓	✓	✓	
MP332 CC Jaw	✓	✓	✓	✓	✓	✓	✓*	✓
MP332 D Jaw	✓	✓	✓	✓	✓	✓		✓
MP332 P Jaw	✓	✓	✓*	✓	✓	✓		✓
MP332 S Jaw	✓	✓	✓	✓	✓	✓	✓*	✓
MP332 TS Jaw	✓	✓		✓	✓*	✓*		✓
MP345 CC Jaw				✓*				
MP345 S Jaw				✓*				

336 GC

Pin-on

Undercarriage	—			L		
Counterweight	6.8 mt			6.8 mt		
Boom Type	Reach			Reach		
Stick Length	2.80 m (9'2")	3.20 m (10'6")	3.90 m HD (12'10")	2.80 m (9'2")	3.20 m (10'6")	3.90 m HD (12'10")
MP324 CC Jaw	✓	✓	✓	✓	✓	✓
MP324 D Jaw	✓	✓	✓	✓	✓	✓
MP324 P Jaw	✓	✓	✓	✓	✓	✓
MP324 S Jaw	✓	✓	✓	✓	✓	✓
MP324 TS Jaw	✓	✓	✓	✓	✓	✓
MP324 U Jaw	✓	✓	✓	✓	✓	✓
MP332 CC Jaw	✓	✓	✓	✓	✓	✓
MP332 D Jaw	✓	✓	✓	✓	✓	✓
MP332 P Jaw	✓	✓	✓	✓	✓	✓
MP332 S Jaw	✓	✓	✓	✓	✓	✓
MP332 TS Jaw	✓	✓		✓	✓	
MP332 U Jaw	✓	✓	✓	✓	✓	✓

(continued on next page)

Matching – Tracked Excavators *(continued)*

 Match

 * Working Range Front Only

 No Match

336 GC *(continued)*

Cat Pin Grabber Coupler

Undercarriage	—			L		
Counterweight	6.8 mt			6.8 mt		
Boom Type	Reach			Reach		
Stick Length	2.80 m (9'2")	3.20 m (10'6")	3.90 m (12'10")	2.80 m (9'2")	3.20 m (10'6")	3.90 m (12'10")
MP324 CC Jaw	✓	✓	✓	✓	✓	✓
MP324 D Jaw	✓	✓	✓	✓	✓	✓
MP324 P Jaw	✓	✓	✓	✓	✓	✓
MP324 S Jaw	✓	✓	✓	✓	✓	✓
MP324 TS Jaw	✓	✓	✓	✓	✓	✓
MP324 U Jaw	✓	✓	✓	✓	✓	✓
MP332 CC Jaw	✓	✓*		✓	✓	
MP332 D Jaw	✓	✓*		✓	✓*	
MP332 P Jaw	✓*	✓*		✓	✓*	
MP332 S Jaw	✓	✓*		✓	✓	
MP332 TS Jaw				✓*		
MP332 U Jaw	✓*	✓*		✓	✓*	

CW-45s Dedicated Coupler

Undercarriage	—		L	
Counterweight	6.8 mt		6.8 mt	
Boom Type	Reach		Reach	
Stick Length	2.80 m (9'2")	3.20 m (10'6")	2.80 m (9'2")	3.20 m (10'6")
MP324 CC Jaw	✓	✓	✓	✓
MP324 D Jaw	✓	✓	✓	✓
MP324 P Jaw	✓	✓	✓	✓
MP324 S Jaw	✓	✓	✓	✓
MP324 TS Jaw	✓	✓	✓	✓
MP324 U Jaw	✓	✓	✓	✓
MP332 CC Jaw	✓	✓	✓	✓
MP332 D Jaw	✓	✓	✓	✓
MP332 P Jaw	✓	✓*	✓	✓
MP332 S Jaw	✓	✓	✓	✓
MP332 TS Jaw	✓*		✓*	✓*
MP332 U Jaw	✓	✓*	✓	✓

(continued on next page)

Multi-Processors Technical Specifications

Matching – Tracked Excavators *(continued)*

 Match

 * Working Range Front Only

 No Match

336 GC *(continued)*

CW-45 Dedicated Coupler

Undercarriage	—		L	
Counterweight	6.8 mt		6.8 mt	
Boom Type	Reach		Reach	
Stick Length	2.80 m (9'2")	3.20 m (10'6")	2.80 m (9'2")	3.20 m (10'6")
MP324 CC Jaw	✓	✓	✓	✓
MP324 D Jaw	✓	✓	✓	✓
MP324 P Jaw	✓	✓	✓	✓
MP324 S Jaw	✓	✓	✓	✓
MP324 TS Jaw	✓	✓	✓	✓
MP324 U Jaw	✓	✓	✓	✓
MP332 CC Jaw	✓	✓	✓	✓
MP332 D Jaw	✓	✓*	✓	✓
MP332 P Jaw	✓	✓*	✓	✓
MP332 S Jaw	✓	✓	✓	✓
MP332 TS Jaw	✓*		✓*	
MP332 U Jaw	✓	✓*	✓	✓

336

Pin-on

Undercarriage	L				
Counterweight	6.8 mt				
Boom Type	Reach		Reach HD		ME
Stick Length	3.20 m (10'6")	3.90 m HD (12'10")	2.80 m HD (9'2")	3.20 m HD (10'6")	2.55 m (8'4")
MP324 CC Jaw	✓	✓	✓	✓	
MP324 D Jaw	✓	✓	✓	✓	
MP324 P Jaw	✓	✓	✓	✓	
MP324 S Jaw	✓	✓	✓	✓	
MP324 TS Jaw	✓	✓	✓	✓	
MP324 U Jaw	✓	✓	✓	✓	
MP332 CC Jaw	✓	✓	✓	✓	✓
MP332 D Jaw	✓	✓	✓	✓	✓
MP332 P Jaw	✓	✓	✓	✓	✓
MP332 S Jaw	✓	✓	✓	✓	✓
MP332 TS Jaw	✓	✓*	✓	✓	✓
MP332 U Jaw	✓	✓	✓	✓	✓
MP345 CC Jaw					✓*
MP345 D Jaw					✓*
MP345 P Jaw					✓*
MP345 S Jaw					✓*

(continued on next page)

Matching – Tracked Excavators *(continued)*

 Match

 * Working Range Front Only

 No Match

336 *(continued)*

Pin-on *(continued)*

Undercarriage	L					
Counterweight	7.5 mt					
Boom Type	Reach			Reach HD		ME
Stick Length	2.80 m (9'2")	3.20 m (10'6")	3.90 m HD (12'10")	3.20 m HD (10'6")	3.90 m HD (12'10")	2.55 m (8'4")
MP324 CC Jaw	✓	✓	✓	✓	✓	
MP324 D Jaw	✓	✓	✓	✓	✓	
MP324 P Jaw	✓	✓	✓	✓	✓	
MP324 S Jaw	✓	✓	✓	✓	✓	
MP324 TS Jaw	✓	✓	✓	✓	✓	
MP324 U Jaw	✓	✓	✓	✓	✓	
MP332 CC Jaw	✓	✓	✓	✓	✓	✓
MP332 D Jaw	✓	✓	✓	✓	✓	✓
MP332 P Jaw	✓	✓	✓	✓	✓	✓
MP332 S Jaw	✓	✓	✓	✓	✓	✓
MP332 TS Jaw	✓	✓	✓	✓	✓	✓
MP332 U Jaw	✓	✓	✓	✓	✓	✓
MP345 CC Jaw						✓
MP345 D Jaw						✓
MP345 P Jaw						✓
MP345 S Jaw						✓

Cat Pin Grabber Coupler

Undercarriage	L				
Counterweight	6.8 mt				
Boom Type	Reach		Reach HD		ME
Stick Length	3.20 m (10'6")	3.90 m (12'10")	2.80 m HD (9'2")	3.20 m HD (10'6")	2.55 m (8'4")
MP324 CC Jaw	✓	✓	✓	✓	
MP324 D Jaw	✓	✓	✓	✓	
MP324 P Jaw	✓	✓	✓	✓	
MP324 S Jaw	✓	✓	✓	✓	
MP324 TS Jaw	✓	✓	✓	✓	
MP324 U Jaw	✓	✓	✓	✓	
MP332 CC Jaw	✓	✓*	✓	✓	✓
MP332 D Jaw	✓		✓	✓*	✓*
MP332 P Jaw	✓		✓	✓*	✓*
MP332 S Jaw	✓	✓*	✓	✓	✓
MP332 TS Jaw			✓*		
MP332 U Jaw	✓		✓	✓*	✓*

(continued on next page)

Multi-Processors Technical Specifications

Matching – Tracked Excavators *(continued)*

 Match

 * Working Range Front Only

 No Match

336 *(continued)*

Cat Pin Grabber Coupler *(continued)*

Undercarriage	L					
Counterweight	7.5 mt					
Boom Type	Reach			Reach HD		ME
Stick Length	2.80 m (9'2")	3.20 m (10'6")	3.90 m (12'10")	3.20 m HD (10'6")	3.90 m HD (12'10")	2.55 m (8'4")
MP324 CC Jaw	✓	✓	✓	✓	✓	
MP324 D Jaw	✓	✓	✓	✓	✓	
MP324 P Jaw	✓	✓	✓	✓	✓	
MP324 S Jaw	✓	✓	✓	✓	✓	
MP324 TS Jaw	✓	✓	✓	✓	✓	
MP324 U Jaw	✓	✓	✓	✓	✓	
MP332 CC Jaw	✓	✓	✓*	✓	✓*	✓
MP332 D Jaw	✓	✓	✓*	✓	✓*	✓
MP332 P Jaw	✓	✓	✓*	✓	✓*	✓
MP332 S Jaw	✓	✓	✓	✓	✓*	✓
MP332 TS Jaw	✓	✓*		✓*		✓*
MP332 U Jaw	✓	✓	✓*	✓	✓*	✓

CW-45s Dedicated Coupler

Undercarriage	L						
Counterweight	6.8 mt		7.5 mt				
Boom Type	Reach HD	ME	Reach			Reach HD	ME
Stick Length	3.20 m HD (10'6")	2.55 m (8'4")	2.80 m (9'2")	3.20 m (10'6")	3.90 m (12'10")	3.20 m HD (10'6")	2.55 m (8'4")
MP324 CC Jaw	✓		✓	✓	✓	✓	
MP324 D Jaw	✓		✓	✓	✓	✓	
MP324 P Jaw	✓		✓	✓	✓	✓	
MP324 S Jaw	✓		✓	✓	✓	✓	
MP324 TS Jaw	✓		✓	✓	✓	✓	
MP324 U Jaw	✓		✓	✓	✓	✓	
MP332 CC Jaw	✓	✓	✓	✓	✓	✓	✓
MP332 D Jaw	✓	✓	✓	✓	✓	✓	✓
MP332 P Jaw	✓	✓	✓	✓	✓	✓	✓
MP332 S Jaw	✓	✓	✓	✓	✓	✓	✓
MP332 TS Jaw		✓	✓	✓		✓	✓
MP332 U Jaw	✓	✓	✓	✓	✓	✓	✓
MP345 CC Jaw							✓*
MP345 S Jaw							✓*

(continued on next page)

Multi-Processors Technical Specifications

Matching – Tracked Excavators *(continued)*

 Match

 * Working Range Front Only

 No Match

336 *(continued)*

CW-45 Dedicated Coupler

Undercarriage	L							
Counterweight	6.8 mt			7.5 mt				
Boom Type	Reach HD		ME	Reach			Reach HD	ME
Stick Length	2.80 m HD (9'2")	3.20 m HD (10'6")	2.55 m (8'4")	2.80 m (9'2")	3.20 m (10'6")	3.90 m (12'10")	3.20 m HD (10'6")	2.55 m (8'4")
MP324 CC Jaw	✓	✓		✓	✓	✓	✓	
MP324 D Jaw	✓	✓		✓	✓	✓	✓	
MP324 P Jaw	✓	✓		✓	✓	✓	✓	
MP324 S Jaw	✓	✓		✓	✓	✓	✓	
MP324 TS Jaw	✓	✓		✓	✓	✓	✓	
MP324 U Jaw	✓	✓		✓	✓	✓	✓	
MP332 CC Jaw	✓	✓	✓	✓	✓	✓	✓	✓
MP332 D Jaw	✓	✓	✓	✓	✓	✓	✓	✓
MP332 P Jaw	✓	✓	✓	✓	✓	✓*	✓	✓
MP332 S Jaw	✓	✓	✓	✓	✓	✓	✓	✓
MP332 TS Jaw	✓*		✓	✓	✓		✓*	✓
MP332 U Jaw	✓	✓	✓	✓	✓	✓*	✓	✓
MP345 CC Jaw								✓*
MP345 S Jaw								✓*

340D2

Pin-on

Undercarriage	L					
Counterweight	—			8.5 mt		
Boom Type	Reach HD	ME		Reach HD	ME	
Stick Length	3.20 m HD (10'6")	2.15 m (7'1")	2.55 m (8'4")	3.20 m HD (10'6")	2.15 m (7'1")	2.55 m (8'4")
MP332 CC Jaw	✓	✓	✓	✓	✓	✓
MP332 D Jaw	✓	✓	✓	✓	✓	✓
MP332 P Jaw	✓	✓	✓	✓	✓	✓
MP332 S Jaw	✓	✓	✓	✓	✓	✓
MP332 TS Jaw	✓	✓	✓	✓	✓	✓
MP345 CC Jaw		✓	✓		✓	✓
MP345 D Jaw		✓	✓		✓	✓
MP345 P Jaw		✓	✓		✓	✓
MP345 S Jaw		✓	✓		✓	✓

(continued on next page)

Multi-Processors Technical Specifications

Matching – Tracked Excavators *(continued)*

 Match

 * Working Range Front Only

 No Match

340D2 *(continued)*

Cat Pin Grabber Coupler

Undercarriage	L					
Counterweight	—			8.5 mt		
Boom Type	Reach HD	ME		Reach HD	ME	
Stick Length	3.20 m HD (10'6")	2.15 m (7'1")	2.55 m (8'4")	3.20 m HD (10'6")	2.15 m (7'1")	2.55 m (8'4")
MP332 CC Jaw	✓	✓	✓	✓	✓	✓
MP332 D Jaw	✓	✓	✓	✓	✓	✓
MP332 P Jaw	✓	✓	✓	✓	✓	✓
MP332 S Jaw	✓	✓	✓	✓	✓	✓
MP332 TS Jaw	✓	✓	✓	✓	✓	✓
MP332 U Jaw						
MP345 CC Jaw		✓	✓*		✓	✓
MP345 D Jaw		✓*			✓	✓
MP345 P Jaw		✓*			✓	✓
MP345 S Jaw		✓	✓*		✓	✓

CW-45s Dedicated Coupler

Undercarriage	L					
Counterweight	—			8.5 mt		
Boom Type	Reach HD	ME		Reach HD	ME	
Stick Length	3.20 m HD (10'6")	2.15 m (7'1")	2.55 m (8'4")	3.20 m HD (10'6")	2.15 m (7'1")	2.55 m (8'4")
MP332 CC Jaw	✓	✓	✓	✓	✓	✓
MP332 D Jaw	✓	✓	✓	✓	✓	✓
MP332 P Jaw	✓	✓	✓	✓	✓	✓
MP332 S Jaw	✓	✓	✓	✓	✓	✓
MP332 TS Jaw	✓	✓	✓	✓	✓	✓
MP332 U Jaw						
MP345 CC Jaw		✓	✓		✓	✓
MP345 D Jaw		✓	✓		✓	✓
MP345 P Jaw		✓	✓		✓	✓
MP345 S Jaw		✓	✓		✓	✓

(continued on next page)

Matching – Tracked Excavators *(continued)*

 Match

 * Working Range Front Only

 No Match

340D2 *(continued)*

CW-45 Dedicated Coupler

Undercarriage	L					
Counterweight	—			8.5 mt		
Boom Type	Reach HD	ME		Reach HD	ME	
Stick Length	3.20 m HD (10'6")	2.15 m (7'1")	2.55 m (8'4")	3.20 m HD (10'6")	2.15 m (7'1")	2.55 m (8'4")
MP332 CC Jaw	✓	✓	✓	✓	✓	✓
MP332 D Jaw	✓	✓	✓	✓	✓	✓
MP332 P Jaw	✓	✓	✓	✓	✓	✓
MP332 S Jaw	✓	✓	✓	✓	✓	✓
MP332 TS Jaw	✓	✓	✓	✓	✓	✓
MP332 U Jaw						
MP345 CC Jaw		✓	✓		✓	✓
MP345 D Jaw		✓	✓		✓	✓
MP345 P Jaw		✓	✓		✓	✓
MP345 S Jaw		✓	✓		✓	✓

340F

Pin-on

Undercarriage	L		
Counterweight	7.0 mt		
Boom Type	Reach HD		ME
Stick Length	2.80 m HD (9'2")	3.20 m HD (10'6")	2.55 m (8'4")
MP332 CC Jaw	✓	✓	✓
MP332 D Jaw	✓	✓	✓
MP332 P Jaw	✓	✓	✓
MP332 S Jaw	✓	✓	✓
MP332 TS Jaw	✓	✓	✓
MP345 CC Jaw			✓
MP345 D Jaw			✓
MP345 P Jaw			✓
MP345 S Jaw			✓

Cat Pin Grabber Coupler

Undercarriage	L		
Counterweight	7.0 mt		
Boom Type	Reach HD		ME
Stick Length	2.80 m HD (9'2")	3.20 m HD (10'6")	2.55 m (8'4")
MP332 CC Jaw	✓	✓	✓
MP332 D Jaw	✓	✓	✓
MP332 P Jaw	✓	✓	✓
MP332 S Jaw	✓	✓	✓
MP332 TS Jaw	✓	✓	✓
MP345 CC Jaw			✓
MP345 D Jaw			✓
MP345 P Jaw			✓
MP345 S Jaw			✓

(continued on next page)

Multi-Processors Technical Specifications

Matching – Tracked Excavators *(continued)*

Match

* Working Range Front Only

No Match

340F *(continued)*

CW-45s Dedicated Coupler

Undercarriage	L		
Counterweight	7.0 mt		
Boom Type	Reach HD		ME
Stick Length	2.80 m HD (9'2")	3.20 m HD (10'6")	2.55 m (8'4")
MP332 CC Jaw	✓	✓	✓
MP332 D Jaw	✓	✓	✓
MP332 P Jaw	✓	✓	✓
MP332 S Jaw	✓	✓	✓
MP332 TS Jaw	✓	✓	✓
MP345 CC Jaw			✓
MP345 D Jaw			✓
MP345 P Jaw			✓
MP345 S Jaw			✓

CW-45 Dedicated Coupler

Undercarriage	L		
Counterweight	7.0 mt		
Boom Type	Reach HD		ME
Stick Length	2.80 m HD (9'2")	3.20 m HD (10'6")	2.55 m (8'4")
MP332 CC Jaw	✓	✓	✓
MP332 D Jaw	✓	✓	✓
MP332 P Jaw	✓	✓	✓
MP332 S Jaw	✓	✓	✓
MP332 TS Jaw	✓	✓	✓
MP345 CC Jaw			✓
MP345 D Jaw			✓
MP345 P Jaw			✓
MP345 S Jaw			✓

340F UHD

Pin-on

Undercarriage	L-FIX					
Counterweight	8.45 mt					
Boom Type	Retrofit (B)			Retrofit (S)		
Stick Length	2.80 m HD (9'2")	3.20 m HD (10'6")	3.90 m HD (12'10")	2.80 m HD (9'2")	3.20 m HD (10'6")	3.90 m HD (12'10")
MP332 CC Jaw	✓	✓	✓	✓	✓	✓*
MP332 D Jaw	✓	✓	✓	✓	✓	✓*
MP332 P Jaw	✓	✓	✓	✓	✓	✓*
MP332 S Jaw	✓	✓	✓	✓	✓	✓*
MP332 TS Jaw	✓	✓	✓	✓	✓*	
MP332 U Jaw						

(continued on next page)

Multi-Processors Technical Specifications

Matching – Tracked Excavators *(continued)*

 Match

 * Working Range Front Only

 No Match

340F UHD *(continued)*

Pin-on *(continued)*

Undercarriage	L-VG					
Counterweight	8.45 mt					
Boom Type	Retrofit (B)			Retrofit (S)		
Stick Length	2.80 m HD (9'2")	3.20 m HD (10'6")	3.90 m HD (12'10")	2.80 m HD (9'2")	3.20 m HD (10'6")	3.90 m HD (12'10")
MP332 CC Jaw	✓	✓	✓	✓	✓	✓
MP332 D Jaw	✓	✓	✓	✓	✓	✓
MP332 P Jaw	✓	✓	✓	✓	✓	✓
MP332 S Jaw	✓	✓	✓	✓	✓	✓
MP332 TS Jaw	✓	✓	✓	✓	✓	✓
MP332 U Jaw						

Cat Pin Grabber Coupler

Undercarriage	L-FIX				
Counterweight	8.45 mt				
Boom Type	Retrofit (B)			Retrofit (S)	
Stick Length	2.80 m HD (9'2")	3.20 m HD (10'6")	3.90 m HD (12'10")	2.80 m HD (9'2")	3.20 m HD (10'6")
MP332 CC Jaw	✓	✓	✓	✓*	
MP332 D Jaw	✓	✓	✓*	✓*	
MP332 P Jaw	✓	✓	✓*		
MP332 S Jaw	✓	✓	✓	✓*	✓*
MP332 TS Jaw	✓	✓			

Cat Pin Grabber Coupler *(continued)*

Undercarriage	L-VG					
Counterweight	8.45 mt					
Boom Type	Retrofit (B)			Retrofit (S)		
Stick Length	2.80 m HD (9'2")	3.20 m HD (10'6")	3.90 m HD (12'10")	2.80 m HD (9'2")	3.20 m HD (10'6")	3.90 m HD (12'10")
MP332 CC Jaw	✓	✓	✓	✓	✓	✓
MP332 D Jaw	✓	✓	✓	✓	✓	✓
MP332 P Jaw	✓	✓	✓		✓	✓
MP332 S Jaw	✓	✓	✓	✓	✓	✓
MP332 TS Jaw	✓	✓				

(continued on next page)

Multi-Processors Technical Specifications

Matching – Tracked Excavators *(continued)*

 Match

 * Working Range Front Only

 No Match

340F UHD *(continued)*

CW-45s Dedicated Coupler

Undercarriage	L-FIX				
Counterweight	8.45 mt				
Boom Type	Retrofit (B)			Retrofit (S)	
Stick Length	2.80 m HD (9'2")	3.20 m HD (10'6")	3.90 m HD (12'10")	2.80 m HD (9'2")	3.20 m HD (10'6")
MP332 CC Jaw	✓	✓	✓	✓	✓*
MP332 D Jaw	✓	✓	✓	✓*	✓*
MP332 P Jaw	✓	✓	✓	✓*	✓*
MP332 S Jaw	✓	✓	✓	✓	✓*
MP332 TS Jaw	✓	✓			

CW-45s Dedicated Coupler *(continued)*

Undercarriage	L-VG					
Counterweight	8.45 mt					
Boom Type	Retrofit (B)			Retrofit (S)		
Stick Length	2.80 m HD (9'2")	3.20 m HD (10'6")	3.90 m HD (12'10")	2.80 m HD (9'2")	3.20 m HD (10'6")	3.90 m HD (12'10")
MP332 CC Jaw	✓	✓	✓	✓	✓	✓
MP332 D Jaw	✓	✓	✓	✓	✓	✓
MP332 P Jaw	✓	✓	✓	✓	✓	✓
MP332 S Jaw	✓	✓	✓	✓	✓	✓
MP332 TS Jaw	✓	✓			✓	

CW-45 Dedicated Coupler

Undercarriage	L-FIX				
Counterweight	8.45 mt				
Boom Type	Retrofit (B)			Retrofit (S)	
Stick Length	2.80 m HD (9'2")	3.20 m HD (10'6")	3.90 m HD (12'10")	2.80 m HD (9'2")	3.20 m HD (10'6")
MP332 CC Jaw	✓	✓	✓	✓	✓*
MP332 D Jaw	✓	✓	✓	✓*	✓*
MP332 P Jaw	✓	✓	✓	✓*	
MP332 S Jaw	✓	✓	✓	✓	✓*
MP332 TS Jaw	✓	✓			

(continued on next page)

Multi-Processors Technical Specifications

Matching – Tracked Excavators *(continued)*

 Match

 * Working Range Front Only

 No Match

340F UHD *(continued)*

CW-45 Dedicated Coupler *(continued)*

Undercarriage	L-VG					
Counterweight	8.45 mt					
Boom Type	Retrofit (B)			Retrofit (S)		
Stick Length	2.80 m HD (9'2")	3.20 m HD (10'6")	3.90 m HD (12'10")	2.80 m HD (9'2")	3.20 m HD (10'6")	3.90 m HD (12'10")
MP332 CC Jaw	✓	✓	✓	✓	✓	✓
MP332 D Jaw	✓	✓	✓	✓	✓	✓
MP332 P Jaw	✓	✓	✓	✓	✓	✓
MP332 S Jaw	✓	✓	✓	✓	✓	✓
MP332 TS Jaw	✓	✓			✓	

340

Pin-on

Undercarriage	L		LN		HD High Wide		
Counterweight	9.0 mt		9.0 mt		7.5 mt		
Boom Type	Straight		Straight		Reach		ME
Stick Length	3.20 m (10'6")	3.90 m HD (12'10")	3.20 m (10'6")	3.90 m HD (12'10")	3.20 m (10'6")	3.90 m HD (12'10")	2.55 m (8'4")
MP332 CC Jaw	✓	✓	✓	✓	✓	✓	✓
MP332 D Jaw	✓	✓	✓	✓	✓	✓	✓
MP332 P Jaw	✓	✓	✓	✓	✓	✓	✓
MP332 S Jaw	✓	✓	✓	✓	✓	✓	✓
MP332 TS Jaw	✓	✓	✓	✓*	✓	✓	✓
MP332 U Jaw	✓	✓	✓	✓	✓	✓	✓
MP345 CC Jaw							✓
MP345 D Jaw							✓
MP345 P Jaw							✓
MP345 S Jaw							✓

Cat Pin Grabber Coupler

Undercarriage	L		LN		HD High Wide		
Counterweight	9.0 mt		9.0 mt		7.5 mt		
Boom Type	Straight		Straight		Reach		ME
Stick Length	3.20 m (10'6")	3.90 m (12'10")	3.20 m (10'6")	3.90 m (12'10")	3.20 m (10'6")	3.90 m (12'10")	2.55 m (8'4")
MP332 CC Jaw	✓	✓	✓		✓	✓	✓
MP332 D Jaw	✓		✓		✓	✓	✓
MP332 P Jaw					✓	✓	✓
MP332 S Jaw	✓	✓	✓	✓*	✓	✓	✓
MP332 TS Jaw					✓		✓
MP332 U Jaw					✓	✓	✓
MP345 CC Jaw							✓
MP345 D Jaw							✓
MP345 S Jaw							✓

(continued on next page)

Multi-Processors Technical Specifications

Matching – Tracked Excavators *(continued)*

 Match

 * Working Range Front Only

 No Match

340 *(continued)*

CW-45s Dedicated Coupler

Undercarriage	L		LN		HD High Wide		
Counterweight	9.0 mt		9.0 mt		7.5 mt		
Boom Type	Straight		Straight		Reach		ME
Stick Length	3.20 m (10'6")	3.90 m (12'10")	3.20 m (10'6")	3.90 m (12'10")	3.20 m (10'6")	3.90 m (12'10")	2.55 m (8'4")
MP332 CC Jaw	✓	✓	✓	✓*	✓	✓	✓
MP332 D Jaw	✓	✓	✓	✓*	✓	✓	✓
MP332 P Jaw	✓	✓	✓	✓*	✓	✓	✓
MP332 S Jaw	✓	✓	✓	✓*	✓	✓	✓
MP332 TS Jaw					✓		✓
MP332 U Jaw	✓		✓		✓	✓	✓
MP345 CC Jaw							✓
MP345 D Jaw							✓
MP345 P Jaw							✓
MP345 S Jaw							✓

CW-45 Dedicated Coupler

Undercarriage	L		LN		HD High Wide		
Counterweight	9.0 mt		9.0 mt		7.5 mt		
Boom Type	Straight		Straight		Reach		ME
Stick Length	3.20 m (10'6")	3.90 m (12'10")	3.20 m (10'6")	3.90 m (12'10")	3.20 m (10'6")	3.90 m (12'10")	2.55 m (8'4")
MP332 CC Jaw	✓	✓	✓	✓*	✓	✓	✓
MP332 D Jaw	✓	✓	✓		✓	✓	✓
MP332 P Jaw	✓		✓		✓	✓	✓
MP332 S Jaw	✓	✓	✓	✓*	✓	✓	✓
MP332 TS Jaw					✓		✓
MP332 U Jaw	✓		✓		✓	✓	✓
MP345 CC Jaw							✓
MP345 D Jaw							✓
MP345 P Jaw							✓
MP345 S Jaw							✓

(continued on next page)

Matching – Tracked Excavators *(continued)*

 Match

 * Working Range Front Only

 No Match

345 GC

Pin-on

Undercarriage	—			
Counterweight	8.5 mt			
Boom Type	Reach HD		ME	
Stick Length	2.90 m HD (9'6")	3.35 m HD (11'0")	2.50 m (8'2")	3.00 m (9'10")
MP332 CC Jaw	✓	✓		
MP332 D Jaw	✓	✓		
MP332 P Jaw	✓	✓		
MP332 S Jaw	✓	✓		
MP332 TS Jaw	✓	✓		
MP332 U Jaw	✓	✓		
MP345 CC Jaw	✓	✓	✓	✓
MP345 D Jaw	✓	✓*	✓	✓
MP345 P Jaw	✓	✓*	✓	✓*
MP345 S Jaw	✓	✓	✓	✓

Cat Pin Grabber Coupler

Undercarriage	—	
Counterweight	8.5 mt	
Boom Type	Reach HD	
Stick Length	2.90 m HD (9'6")	3.35 m HD (11'0")
MP332 CC Jaw	✓	✓
MP332 D Jaw	✓	✓
MP332 P Jaw	✓	✓
MP332 S Jaw	✓	✓
MP332 TS Jaw	✓	✓*
MP332 U Jaw	✓	✓

CW-55 Dedicated Coupler

Undercarriage	—		
Counterweight	8.5 mt		
Boom Type	Reach HD		ME
Stick Length	2.90 m HD (9'6")	3.35 m HD (11'0")	2.50 m (8'2")
MP332 CC Jaw	✓	✓	
MP332 D Jaw	✓	✓	
MP332 P Jaw	✓	✓	
MP332 S Jaw	✓	✓	
MP332 TS Jaw	✓	✓*	
MP332 U Jaw	✓	✓	
MP345 CC Jaw			✓*
MP345 D Jaw			
MP345 P Jaw			
MP345 S Jaw			✓*

(continued on next page)

Multi-Processors Technical Specifications

Matching – Tracked Excavators *(continued)*

 Match

 * Working Range Front Only

 No Match

349D2

Pin-on

Undercarriage	—				L-FIX			
Counterweight	—				—			
Boom Type	Reach HD		ME		Reach HD		ME	
Stick Length	3.35 m HD (11'0")	3.90 m HD (12'10")	2.50 m (8'2")	3.00 m (9'10")	3.35 m HD (11'0")	3.90 m HD (12'10")	2.50 m (8'2")	3.00 m (9'10")
MP345 CC Jaw	✓	✓	✓	✓	✓	✓	✓	✓
MP345 D Jaw	✓	✓	✓	✓	✓	✓	✓	✓
MP345 P Jaw	✓	✓	✓	✓	✓	✓	✓	✓
MP345 S Jaw	✓	✓	✓	✓	✓	✓	✓	✓
MP365 CC Jaw			✓				✓	✓*
MP365 D Jaw							✓*	
MP365 S Jaw			✓*				✓*	

Cat Pin Grabber Coupler

Undercarriage	—			L-FIX		
Counterweight	—			—		
Boom Type	Reach HD	Reach HD		Reach HD		
Stick Length	3.35 m HD (11'0")	3.35 m HD (11'0")	3.90 m HD (12'10")	3.35 m HD (11'0")	3.90 m HD (12'10")	
MP345 CC Jaw	✓*	✓*	✓*			
MP345 D Jaw	✓*	✓*				
MP345 P Jaw		✓*				
MP345 S Jaw	✓*	✓*	✓*			

CW-55 Dedicated Coupler

Undercarriage	—				L-FIX			
Counterweight	—				—			
Boom Type	Reach HD		ME		Reach HD		ME	
Stick Length	3.35 m HD (11'0")	3.90 m HD (12'10")	2.50 m (8'2")	3.00 m (9'10")	3.35 m HD (11'0")	3.90 m HD (12'10")	2.50 m (8'2")	3.00 m (9'10")
MP345 CC Jaw	✓	✓*	✓	✓	✓	✓*	✓	✓
MP345 D Jaw	✓*		✓	✓*	✓*		✓	✓
MP345 P Jaw	✓*		✓	✓*	✓*		✓	✓*
MP345 S Jaw	✓	✓*	✓	✓	✓	✓*	✓	✓

(continued on next page)

Multi-Processors Technical Specifications

Matching – Tracked Excavators *(continued)*

 Match

 * Working Range Front Only

 No Match

349F

Pin-on

Undercarriage	L-FIX				
Counterweight	—				
Boom Type	Reach HD		Long-Reach	ME	
Stick Length	3.40 m HD (11'2")	3.90 m HD (12'10")	4.30 m HD (14'1")	2.50 m (8'2")	3.00 m (9'10")
MP332 CC Jaw	✓	✓	✓		
MP332 D Jaw	✓	✓	✓		
MP332 P Jaw	✓	✓	✓		
MP332 S Jaw	✓	✓	✓		
MP332 TS Jaw	✓	✓	✓		
MP332 U Jaw					
MP345 CC Jaw	✓	✓	✓	✓	✓
MP345 D Jaw	✓	✓	✓*	✓	✓
MP345 P Jaw	✓	✓	✓*	✓	✓
MP345 S Jaw	✓	✓	✓	✓	✓
MP365 CC Jaw				✓	✓*
MP365 D Jaw				✓	
MP365 P Jaw				✓*	
MP365 S Jaw				✓	✓*

Cat Pin Grabber Coupler

Undercarriage	L-FIX		
Counterweight	—		
Boom Type	Reach HD		Long-Reach
Stick Length	3.40 m HD (11'2")	3.90 m HD (12'10")	4.30 m HD (14'1")
MP332 CC Jaw	✓	✓	✓
MP332 D Jaw	✓	✓	✓
MP332 P Jaw	✓	✓	✓
MP332 S Jaw	✓	✓	✓
MP332 TS Jaw	✓	✓	
MP332 U Jaw			
MP345 CC Jaw	✓	✓*	
MP345 D Jaw	✓		
MP345 P Jaw	✓*		
MP345 S Jaw	✓	✓*	

(continued on next page)

Multi-Processors Technical Specifications

Matching – Tracked Excavators *(continued)*

 Match

 * Working Range Front Only

 No Match

349F XE

Pin-on

Undercarriage	L-FIX				
Counterweight	—				
Boom Type	Reach HD		Long-Reach	ME	
Stick Length	3.40 m HD (11'2")	3.90 m HD (12'10")	4.30 m HD (14'1")	2.50 m (8'2")	3.00 m (9'10")
MP332 CC Jaw	✓	✓	✓		
MP332 D Jaw	✓	✓	✓		
MP332 P Jaw	✓	✓	✓		
MP332 S Jaw	✓	✓	✓		
MP332 TS Jaw	✓	✓	✓		
MP332 U Jaw					
MP345 CC Jaw	✓	✓	✓	✓	✓
MP345 D Jaw	✓	✓	✓*	✓	✓
MP345 P Jaw	✓	✓	✓*	✓	✓
MP345 S Jaw	✓	✓	✓	✓	✓
MP365 CC Jaw				✓	✓*
MP365 D Jaw				✓	
MP365 P Jaw				✓*	
MP365 S Jaw				✓	✓*

Cat Pin Grabber Coupler

Undercarriage	L-FIX		
Counterweight	—		
Boom Type	Reach HD		Long-Reach
Stick Length	3.40 m HD (11'2")	3.90 m HD (12'10")	4.30 m HD (14'1")
MP332 CC Jaw	✓	✓	✓
MP332 D Jaw	✓	✓	✓
MP332 P Jaw	✓	✓	✓
MP332 S Jaw	✓	✓	✓
MP332 TS Jaw	✓	✓	
MP332 U Jaw			
MP345 CC Jaw	✓	✓*	
MP345 D Jaw	✓		
MP345 P Jaw	✓*		
MP345 S Jaw	✓	✓*	

(continued on next page)

Matching – Tracked Excavators *(continued)*

 Match

 * Working Range Front Only

 No Match

349
Pin-on

Undercarriage	L				
Counterweight	9.0 mt				
Boom Type	Reach HD		Long-Reach	ME	
Stick Length	3.35 m HD (11'0")	3.90 m HD (12'10")	4.30 m HD (14'1")	2.50 m (8'2")	3.00 m (9'10")
MP332 CC Jaw	✓	✓	✓		
MP332 D Jaw	✓	✓	✓		
MP332 P Jaw	✓	✓	✓		
MP332 S Jaw	✓	✓	✓		
MP332 TS Jaw	✓	✓	✓		
MP332 U Jaw	✓	✓	✓		
MP345 CC Jaw	✓	✓	✓*	✓	✓
MP345 D Jaw	✓	✓	✓*	✓	✓
MP345 P Jaw	✓	✓		✓	✓
MP345 S Jaw	✓	✓	✓*	✓	✓
MP365 CC Jaw				✓	✓*
MP365 D Jaw				✓*	
MP365 P Jaw				✓*	
MP365 S Jaw				✓*	

Cat Pin Grabber Coupler

Undercarriage	L		
Counterweight	9.0 mt		
Boom Type	Reach HD		Long-Reach
Stick Length	3.35 m HD (11'0")	3.90 m HD (12'10")	4.30 m HD (14'1")
MP332 CC Jaw	✓	✓	✓
MP332 D Jaw	✓	✓	✓*
MP332 P Jaw	✓	✓	✓*
MP332 S Jaw	✓	✓	✓
MP332 TS Jaw	✓	✓	
MP332 U Jaw	✓	✓	✓*
MP345 CC Jaw	✓	✓*	
MP345 D Jaw	✓*		
MP345 P Jaw	✓*		
MP345 S Jaw	✓	✓*	

(continued on next page)

Multi-Processors Technical Specifications

Matching – Tracked Excavators *(continued)*

 Match

 * Working Range Front Only

 No Match

349 *(continued)*

CW-55 Dedicated Coupler

Undercarriage	L		
Counterweight	9.0 mt		
Boom Type	Reach HD	ME	
Stick Length	3.35 m HD (11'0")	2.50 m (8'2")	3.00 m (9'10")
MP332 CC Jaw	✓		
MP332 D Jaw	✓		
MP332 P Jaw	✓		
MP332 S Jaw	✓		
MP332 TS Jaw	✓		
MP332 U Jaw	✓		
MP345 CC Jaw		✓	✓
MP345 D Jaw		✓	✓
MP345 P Jaw		✓	✓
MP345 S Jaw		✓	✓

352F

Pin-on

Undercarriage	L-VG					
Counterweight	—					
Boom Type	Reach HD			Long-Reach	ME	
Stick Length	2.90 m HD (9'6")	3.40 m HD (11'2")	3.90 m HD (12'10")	4.30 m HD (14'1")	2.50 m (8'2")	3.00 m (9'10")
MP332 CC Jaw	✓	✓	✓			
MP332 D Jaw	✓	✓*	✓	✓		
MP332 P Jaw	✓	✓	✓	✓		
MP332 S Jaw	✓	✓	✓	✓		
MP332 TS Jaw	✓	✓	✓	✓		
MP332 U Jaw						
MP345 CC Jaw	✓	✓	✓	✓	✓	✓
MP345 D Jaw	✓	✓	✓	✓	✓	✓
MP345 P Jaw	✓	✓	✓	✓	✓	✓
MP345 S Jaw	✓	✓	✓	✓	✓	✓
MP365 CC Jaw					✓	✓
MP365 D Jaw					✓	✓
MP365 P Jaw					✓	✓
MP365 S Jaw					✓	✓

(continued on next page)

Matching – Tracked Excavators *(continued)*

 Match

 * Working Range Front Only

 No Match

352F *(continued)*

Cat Pin Grabber Coupler

Undercarriage	L-VG			
Counterweight	—			
Boom Type	Reach HD			Long-Reach
Stick Length	2.90 m HD (9'6")	3.40 m HD (11'2")	3.90 m HD (12'10")	4.30 m HD (14'1")
MP332 CC Jaw		✓	✓	
MP332 D Jaw	✓	✓	✓	
MP332 P Jaw		✓	✓	
MP332 S Jaw	✓	✓*	✓	
MP332 TS Jaw	✓	✓	✓	
MP332 U Jaw				
MP345 CC Jaw		✓	✓	
MP345 D Jaw	✓	✓	✓	✓
MP345 P Jaw		✓*	✓	✓*
MP345 S Jaw	✓		✓	

CW-55 Dedicated Coupler

Undercarriage	L-VG			
Counterweight	—			
Boom Type	Reach HD		ME	
Stick Length	2.90 m HD (9'6")	3.40 m HD (11'2")	2.50 m (8'2")	3.00 m (9'10")
MP332 CC Jaw	✓	✓		
MP332 D Jaw	✓	✓		
MP332 P Jaw	✓	✓		
MP332 S Jaw	✓	✓		
MP332 TS Jaw	✓	✓		
MP332 U Jaw				
MP345 CC Jaw	✓	✓	✓	✓
MP345 D Jaw	✓	✓	✓	✓
MP345 P Jaw	✓	✓	✓	✓
MP345 S Jaw	✓	✓	✓	✓
MP365 CC Jaw			✓	✓
MP365 D Jaw			✓	✓
MP365 P Jaw			✓	✓
MP365 S Jaw			✓	✓

(continued on next page)

Multi-Processors Technical Specifications

Matching – Tracked Excavators *(continued)*

 Match

 * Working Range Front Only

 No Match

352F XE

Pin-on

Undercarriage	L-VG					
Counterweight	—					
Boom Type	Reach HD			Long-Reach	ME	
Stick Length	2.90 m HD (9'6")	3.40 m HD (11'2")	3.90 m HD (12'10")	4.30 m HD (14'1")	2.50 m (8'2")	3.00 m (9'10")
MP332 CC Jaw	✓	✓	✓	✓		
MP332 D Jaw	✓	✓	✓	✓		
MP332 P Jaw	✓	✓	✓	✓		
MP332 S Jaw	✓	✓	✓	✓		
MP332 TS Jaw	✓	✓	✓	✓		
MP345 CC Jaw	✓	✓	✓	✓	✓	✓
MP345 D Jaw	✓	✓	✓	✓	✓	✓
MP345 P Jaw	✓	✓	✓	✓	✓	✓
MP345 S Jaw	✓	✓	✓	✓	✓	✓
MP365 CC Jaw					✓	✓
MP365 D Jaw					✓	✓
MP365 P Jaw					✓	✓*
MP365 S Jaw					✓	✓

Cat Pin Grabber Coupler

Undercarriage	L-VG			
Counterweight	—			
Boom Type	Reach HD			Long-Reach
Stick Length	2.90 m HD (9'6")	3.40 m HD (11'2")	3.90 m HD (12'10")	4.30 m HD (14'1")
MP332 CC Jaw	✓	✓	✓	✓
MP332 D Jaw	✓	✓	✓	✓
MP332 P Jaw	✓	✓	✓	✓
MP332 S Jaw	✓	✓	✓	✓
MP332 TS Jaw	✓	✓	✓	✓
MP332 U Jaw				
MP345 CC Jaw	✓	✓	✓	
MP345 D Jaw	✓	✓		
MP345 P Jaw	✓	✓		
MP345 S Jaw	✓	✓	✓	

(continued on next page)

Multi-Processors Technical Specifications

Matching – Tracked Excavators *(continued)*

 Match

 * Working Range Front Only

 No Match

352F XE *(continued)*

CW-55 Dedicated Coupler

Undercarriage	L-VG			
Counterweight	—			
Boom Type	Reach HD		ME	
Stick Length	2.90 m HD (9'6")	3.40 m HD (11'2")	2.50 m (8'2")	3.00 m (9'10")
MP332 CC Jaw	✓	✓		
MP332 D Jaw	✓	✓		
MP332 P Jaw	✓	✓		
MP332 S Jaw	✓	✓		
MP332 TS Jaw	✓	✓		
MP332 U Jaw				
MP345 CC Jaw	✓	✓	✓	✓
MP345 D Jaw	✓	✓	✓	✓
MP345 P Jaw	✓	✓	✓	✓
MP345 S Jaw	✓	✓	✓	✓
MP365 CC Jaw			✓	
MP365 D Jaw			✓*	
MP365 P Jaw				
MP365 S Jaw			✓*	

352

Pin-on

Undercarriage	L-VG					
Counterweight	9.0 mt					
Boom Type	Reach HD			Long-Reach	ME	
Stick Length	2.90 m HD (9'6")	3.35 m HD (11'0")	3.90 m HD (12'10")	4.30 m HD (14'1")	2.50 m (8'2")	3.00 m (9'10")
MP332 CC Jaw	✓	✓	✓	✓		
MP332 D Jaw	✓	✓	✓	✓		
MP332 P Jaw	✓	✓	✓	✓		
MP332 S Jaw	✓	✓	✓	✓		
MP332 TS Jaw	✓	✓	✓	✓		
MP332 U Jaw	✓	✓	✓	✓		
MP345 CC Jaw	✓	✓		✓	✓	✓
MP345 D Jaw	✓	✓		✓	✓	✓
MP345 P Jaw	✓	✓		✓	✓	✓
MP345 S Jaw	✓	✓		✓	✓	✓
MP365 CC Jaw					✓	✓
MP365 D Jaw					✓	✓
MP365 P Jaw					✓	✓*
MP365 S Jaw					✓	✓

(continued on next page)

Multi-Processors Technical Specifications

Matching – Tracked Excavators *(continued)*

 Match

 * Working Range Front Only

 No Match

352 *(continued)*

Cat Pin Grabber Coupler

Undercarriage	L-VG			
Counterweight	9.0 mt			
Boom Type	Reach HD			Long-Reach
Stick Length	2.90 m HD (9'6")	3.35 m HD (11'0")	3.90 m HD (12'10")	4.30 m HD (14'1")
MP332 CC Jaw	✓	✓	✓	✓
MP332 D Jaw	✓	✓	✓	✓
MP332 P Jaw	✓	✓	✓	✓
MP332 S Jaw	✓	✓	✓	✓
MP332 TS Jaw	✓	✓	✓	✓
MP332 U Jaw	✓	✓	✓	✓
MP345 CC Jaw	✓	✓		
MP345 D Jaw	✓	✓		
MP345 P Jaw	✓	✓		
MP345 S Jaw	✓	✓		

CW-55 Dedicated Coupler

Undercarriage	L-VG				
Counterweight	9.0 mt				
Boom Type	Reach HD		ME	Long-Reach	
Stick Length	2.90 m HD (9'6")	3.35 m HD (11'0")	2.50 m (8'2")	3.00 m (9'10")	4.30 m HD (14'1")
MP332 CC Jaw	✓	✓			✓
MP332 D Jaw	✓	✓			✓
MP332 P Jaw	✓	✓			✓
MP332 S Jaw	✓	✓			✓
MP332 TS Jaw	✓	✓			✓
MP332 U Jaw	✓	✓			✓
MP345 CC Jaw	✓	✓	✓	✓	
MP345 D Jaw	✓	✓	✓	✓	
MP345 P Jaw	✓	✓	✓	✓	
MP345 S Jaw	✓	✓	✓	✓	
MP365 CC Jaw			✓*		
MP365 D Jaw					
MP365 P Jaw					
MP365 S Jaw			✓*		

(continued on next page)

Multi-Processors Technical Specifications

Matching – Tracked Excavators (continued)

 Match

 * Working Range Front Only

 No Match

374F

Pin-on

Undercarriage	L					
Counterweight	—					
Boom Type	Reach				ME	
Stick Length	2.84 m HD (9'4")	3.60 m HD (11'10")	4.15 m HD (13'7")	4.67 m HD (15'4")	2.57 m (8'5")	3.00 m (9'10")
MP365 CC Jaw	✓	✓	✓	✓	✓	✓
MP365 D Jaw	✓	✓	✓	✓	✓	✓
MP365 P Jaw	✓	✓	✓	✓	✓	✓
MP365 S Jaw	✓	✓	✓	✓	✓	✓

CW-70 Dedicated Coupler

Undercarriage	L					
Counterweight	—					
Boom Type	Reach				ME	
Stick Length	2.84 m HD (9'4")	3.60 m HD (11'10")	4.15 m HD (13'7")	4.67 m HD (15'4")	2.57 m (8'5")	3.00 m (9'10")
MP365 CC Jaw	✓	✓	✓	✓*	✓	✓
MP365 D Jaw	✓	✓	✓	✓*	✓	✓
MP365 P Jaw	✓	✓	✓*	✓*	✓	✓
MP365 S Jaw	✓	✓	✓	✓*	✓	✓

390F

Pin-on

Undercarriage	L			
Counterweight	—			
Boom Type	Reach		GP	
Stick Length	4.40 m HD (14'5")	5.50 m HD (18'1")	4.40 m HD (14'5")	5.50 m HD (18'1")
MP365 CC Jaw	✓	✓*	✓	✓
MP365 D Jaw	✓*	✓*	✓	✓
MP365 P Jaw	✓*	✓*	✓	✓
MP365 S Jaw	✓	✓*	✓	✓

CW-70 Dedicated Coupler

Undercarriage	L
Counterweight	—
Boom Type	GP
Stick Length	4.40 m HD (14'5")
MP365 CC Jaw	✓
MP365 D Jaw	✓
MP365 P Jaw	✓
MP365 S Jaw	✓

Multi-Processors Technical Specifications

Matching – Wheeled Excavators

 Match

 * Working Range Front Only

 No Match

M318F

Pin-on

Undercarriage	Front Outriggers; Rear Blade					
Counterweight	3.4 mt			3.9 mt		
Boom Type	1 PC			1 PC		
Stick Length	2.10 m (6'11")	2.40 m (7'10")	2.60 m (8'6")	2.10 m (6'11")	2.40 m (7'10")	2.60 m (8'6")
MP318 CC Jaw	✓	✓	✓	✓	✓	✓
MP318 D Jaw	✓	✓	✓	✓	✓	✓
MP318 P Jaw	✓	✓	✓	✓	✓	✓
MP318 S Jaw	✓	✓	✓	✓	✓	✓
MP318 U Jaw	✓	✓	✓	✓	✓	✓

Pin-on (continued)

Undercarriage	Front and Rear Outriggers					
Counterweight	3.4 mt			3.9 mt		
Boom Type	1 PC			1 PC		
Stick Length	2.10 m (6'11")	2.40 m (7'10")	2.60 m (8'6")	2.10 m (6'11")	2.40 m (7'10")	2.60 m (8'6")
MP318 CC Jaw	✓	✓	✓	✓	✓	✓
MP318 D Jaw	✓	✓	✓	✓	✓	✓
MP318 P Jaw	✓	✓	✓	✓	✓	✓
MP318 S Jaw	✓	✓	✓	✓	✓	✓
MP318 U Jaw	✓	✓	✓	✓	✓	✓

Pin-on (continued)

Undercarriage	Front Outriggers; Rear Blade (Wide U/C)					
Counterweight	3.4 mt			3.9 mt		
Boom Type	1 PC			1 PC		
Stick Length	2.10 m (6'11")	2.40 m (7'10")	2.60 m (8'6")	2.10 m (6'11")	2.40 m (7'10")	2.60 m (8'6")
MP318 CC Jaw	✓	✓	✓	✓	✓	✓
MP318 D Jaw	✓	✓	✓	✓	✓	✓
MP318 P Jaw	✓	✓		✓	✓	
MP318 S Jaw	✓	✓	✓	✓	✓	✓
MP318 U Jaw	✓	✓	✓	✓	✓	✓

Pin-on (continued)

Undercarriage	Rear Blade			
Counterweight	3.4 mt	3.9 mt		
Boom Type	1 PC	1 PC		
Stick Length	2.10 m (6'11")	2.10 m (6'11")	2.40 m (7'10")	2.60 m (8'6")
MP318 CC Jaw		✓*		
MP318 D Jaw		✓*	✓*	
MP318 P Jaw				
MP318 S Jaw	✓*	✓	✓*	✓*
MP318 U Jaw		✓*		

(continued on next page)

Multi-Processors Technical Specifications

Matching – Wheeled Excavators *(continued)*

Match

* Working Range Front Only

No Match

M318F *(continued)*

Pin-on *(continued)*

Undercarriage	Rear Blade (Wide U/C)					
	3.4 mt			3.9 mt		
Counterweight	3.4 mt			3.9 mt		
Boom Type	1 PC			1 PC		
Stick Length	2.10 m (6'11")	2.40 m (7'10")	2.60 m (8'6")	2.10 m (6'11")	2.40 m (7'10")	2.60 m (8'6")
MP318 CC Jaw	✓	✓*		✓	✓	✓
MP318 D Jaw	✓*	✓*		✓	✓	✓*
MP318 P Jaw				✓	✓*	
MP318 S Jaw	✓	✓*	✓*	✓	✓	✓
MP318 U Jaw	✓*			✓	✓	✓*

Cat Pin Grabber Coupler

Undercarriage	Front Outriggers; Rear Blade		Front and Rear Outriggers		Front Outriggers; Rear Blade (Wide U/C)		Rear Blade (Wide U/C)
	3.4 mt	3.9 mt	3.4 mt	3.9 mt	3.4 mt	3.9 mt	3.9 mt
Boom Type	1 PC	1 PC	1 PC	1 PC	1 PC	1 PC	1 PC
Stick Length	2.10 m (6'11")	2.10 m (6'11")	2.10 m (6'11")	2.10 m (6'11")	2.10 m (6'11")	2.10 m (6'11")	2.10 m (6'11")
MP318 CC Jaw							
MP318 D Jaw							
MP318 P Jaw							
MP318 S Jaw	✓	✓	✓	✓	✓	✓	✓*
MP318 U Jaw							

CW-20s Dedicated Coupler

Undercarriage	Front Outriggers; Rear Blade					
	3.4 mt			3.9 mt		
Counterweight	3.4 mt			3.9 mt		
Boom Type	1 PC			1 PC		
Stick Length	2.10 m (6'11")	2.40 m (7'10")	2.60 m (8'6")	2.10 m (6'11")	2.40 m (7'10")	2.60 m (8'6")
MP318 CC Jaw	✓	✓		✓	✓	
MP318 D Jaw	✓	✓	✓	✓	✓	✓
MP318 P Jaw	✓			✓		
MP318 S Jaw	✓	✓	✓	✓	✓	✓
MP318 U Jaw	✓	✓		✓	✓	

CW-20s Dedicated Coupler *(continued)*

Undercarriage	Front and Rear Outriggers					
	3.4 mt			3.9 mt		
Counterweight	3.4 mt			3.9 mt		
Boom Type	1 PC			1 PC		
Stick Length	2.10 m (6'11")	2.40 m (7'10")	2.60 m (8'6")	2.10 m (6'11")	2.40 m (7'10")	2.60 m (8'6")
MP318 CC Jaw	✓	✓		✓	✓	
MP318 D Jaw	✓	✓	✓	✓	✓	✓
MP318 P Jaw	✓			✓		
MP318 S Jaw	✓	✓	✓	✓	✓	✓
MP318 U Jaw	✓	✓		✓	✓	

(continued on next page)

Multi-Processors Technical Specifications

Matching – Wheeled Excavators *(continued)*

 Match

 * Working Range Front Only

 No Match

M318F *(continued)*

CW-20s Dedicated Coupler *(continued)*

Undercarriage	Front Outriggers; Rear Blade (Wide U/C)				Rear Blade (Wide U/C)	
Counterweight	3.4 mt		3.9 mt		3.9 mt	
Boom Type	1 PC		1 PC		1 PC	
Stick Length	2.10 m (6'11")	2.40 m (7'10")	2.10 m (6'11")	2.40 m (7'10")	2.10 m (6'11")	2.40 m (7'10")
MP318 CC Jaw	✓		✓		✓*	
MP318 D Jaw	✓		✓		✓*	
MP318 P Jaw						
MP318 S Jaw	✓	✓	✓	✓	✓*	✓*
MP318 U Jaw	✓		✓		✓*	

CW-20 Dedicated Coupler

Undercarriage	Front Outriggers; Rear Blade					
Counterweight	3.4 mt			3.9 mt		
Boom Type	1 PC			1 PC		
Stick Length	2.10 m (6'11")	2.40 m (7'10")	2.60 m (8'6")	2.10 m (6'11")	2.40 m (7'10")	2.60 m (8'6")
MP318 CC Jaw	✓	✓		✓	✓	
MP318 D Jaw	✓	✓	✓	✓	✓	✓
MP318 P Jaw	✓	✓		✓	✓	
MP318 S Jaw	✓	✓	✓	✓	✓	✓
MP318 U Jaw	✓	✓		✓	✓	

CW-20 Dedicated Coupler *(continued)*

Undercarriage	Front and Rear Outriggers					
Counterweight	3.4 mt			3.9 mt		
Boom Type	1 PC			1 PC		
Stick Length	2.10 m (6'11")	2.40 m (7'10")	2.60 m (8'6")	2.10 m (6'11")	2.40 m (7'10")	2.60 m (8'6")
MP318 CC Jaw	✓	✓		✓	✓	
MP318 D Jaw	✓	✓	✓	✓	✓	✓
MP318 P Jaw	✓	✓		✓	✓	
MP318 S Jaw	✓	✓	✓	✓	✓	✓
MP318 U Jaw	✓	✓		✓	✓	

CW-20 Dedicated Coupler *(continued)*

Undercarriage	Front Outriggers; Rear Blade (Wide U/C)				Rear Blade (Wide U/C)	
Counterweight	3.4 mt		3.9 mt		3.9 mt	
Boom Type	1 PC		1 PC		1 PC	
Stick Length	2.10 m (6'11")	2.40 m (7'10")	2.10 m (6'11")	2.40 m (7'10")	2.10 m (6'11")	2.40 m (7'10")
MP318 CC Jaw	✓		✓		✓*	
MP318 D Jaw	✓		✓		✓*	
MP318 P Jaw						
MP318 S Jaw	✓	✓	✓	✓	✓	✓*
MP318 U Jaw	✓		✓		✓*	

(continued on next page)

Matching – Wheeled Excavators *(continued)*

 Match

 * Working Range Front Only

 No Match

M320D2

Pin-on

Undercarriage	Front Outriggers; Rear Blade		Front and Rear Outriggers	
Counterweight	4.0 mt		4.0 mt	
Boom Type	1 PC		1 PC	
Stick Length	2.50 m (8'2")	2.80 m (9'2")	2.50 m (8'2")	2.80 m (9'2")
MP318 CC Jaw	✓		✓	
MP318 D Jaw	✓		✓	
MP318 P Jaw				
MP318 S Jaw	✓		✓	
MP318 U Jaw	✓	✓	✓	✓

Cat Pin Grabber Coupler

Undercarriage	Front Outriggers; Rear Blade	Front and Rear Outriggers
Counterweight	4.0 mt	4.0 mt
Boom Type	1 PC	1 PC
Stick Length	2.50 m (8'2")	2.50 m (8'2")
MP318 CC Jaw		
MP318 D Jaw		
MP318 P Jaw		
MP318 S Jaw	✓	✓
MP318 U Jaw		

CW-30s Dedicated Coupler

Undercarriage	Front Outriggers; Rear Blade	Front and Rear Outriggers
Counterweight	4.0 mt	4.0 mt
Boom Type	1 PC	1 PC
Stick Length	2.50 m (8'2")	2.50 m (8'2")
MP318 CC Jaw		
MP318 D Jaw		
MP318 P Jaw		
MP318 S Jaw		
MP318 U Jaw	✓	✓

CW-30 Dedicated Coupler

Undercarriage	Front Outriggers; Rear Blade	Front and Rear Outriggers
Counterweight	4.0 mt	4.0 mt
Boom Type	1 PC	1 PC
Stick Length	2.50 m (8'2")	2.50 m (8'2")
MP318 CC Jaw		
MP318 D Jaw		
MP318 P Jaw		
MP318 S Jaw		
MP318 U Jaw	✓	✓

(continued on next page)

Multi-Processors Technical Specifications

Matching – Wheeled Excavators *(continued)*

 Match

 * Working Range Front Only

 No Match

M320F

Pin-on

Undercarriage	Front Outriggers; Rear Blade							
Counterweight	3.7 mt				4.2 mt			
Boom Type	VA		1 PC		VA		1 PC	
Stick Length	2.50 m (8'2")	2.80 m (9'2")	2.50 m (8'2")	2.80 m (9'2")	2.50 m (8'2")	2.80 m (9'2")	2.50 m (8'2")	2.80 m (9'2")
MP318 CC Jaw	✓	✓	✓	✓	✓	✓	✓	✓
MP318 D Jaw	✓		✓	✓	✓		✓	✓
MP318 P Jaw			✓	✓			✓	✓
MP318 S Jaw	✓	✓	✓	✓	✓	✓	✓	✓
MP318 U Jaw	✓		✓	✓	✓		✓	✓

Pin-on *(continued)*

Undercarriage	Front and Rear Outriggers							
Counterweight	3.7 mt				4.2 mt			
Boom Type	VA		1 PC		VA		1 PC	
Stick Length	2.50 m (8'2")	2.80 m (9'2")	2.50 m (8'2")	2.80 m (9'2")	2.50 m (8'2")	2.80 m (9'2")	2.50 m (8'2")	2.80 m (9'2")
MP318 CC Jaw	✓	✓	✓	✓	✓	✓	✓	✓
MP318 D Jaw	✓		✓	✓	✓		✓	✓
MP318 P Jaw			✓	✓			✓	✓
MP318 S Jaw	✓	✓	✓	✓	✓	✓	✓	✓
MP318 U Jaw	✓		✓	✓	✓		✓	✓

Pin-on *(continued)*

Undercarriage	Front Outriggers; Rear Blade (Wide U/C)							
Counterweight	3.7 mt				4.2 mt			
Boom Type	VA		1 PC		VA		1 PC	
Stick Length	2.50 m (8'2")	2.80 m (9'2")	2.50 m (8'2")	2.80 m (9'2")	2.50 m (8'2")	2.80 m (9'2")	2.50 m (8'2")	2.80 m (9'2")
MP318 CC Jaw			✓	✓			✓	✓
MP318 D Jaw	✓		✓	✓	✓		✓	✓
MP318 P Jaw			✓				✓	
MP318 S Jaw	✓	✓	✓	✓	✓	✓	✓	✓
MP318 U Jaw			✓	✓			✓	✓

Pin-on *(continued)*

Undercarriage	Rear Blade		Rear Blade (Wide U/C)					
Counterweight	4.2 mt		3.7 mt		4.2 mt			
Boom Type	VA	1 PC	VA	1 PC	VA		1 PC	
Stick Length	2.50 m (8'2")	2.50 m (8'2")	2.50 m (8'2")	2.50 m (8'2")	2.50 m (8'2")	2.80 m (9'2")	2.50 m (8'2")	2.80 m (9'2")
MP318 CC Jaw				✓*			✓	✓*
MP318 D Jaw		✓*		✓*	✓		✓	✓*
MP318 P Jaw							✓*	
MP318 S Jaw	✓*	✓*	✓*	✓*	✓	✓*	✓	✓
MP318 U Jaw							✓	✓*

(continued on next page)

Multi-Processors Technical Specifications

Matching – Wheeled Excavators *(continued)*

Match

* Working Range Front Only

No Match

M320F *(continued)*

Cat Pin Grabber Coupler

Undercarriage	Front Outriggers; Rear Blade		Front and Rear Outriggers		Front Outriggers; Rear Blade (Wide U/C)	
	3.7 mt	4.2 mt	3.7 mt	4.2 mt	3.7 mt	4.2 mt
Counterweight	3.7 mt	4.2 mt	3.7 mt	4.2 mt	3.7 mt	4.2 mt
Boom Type	1 PC	1 PC	1 PC	1 PC	1 PC	1 PC
Stick Length	2.50 m (8'2")	2.50 m (8'2")	2.50 m (8'2")	2.50 m (8'2")	2.50 m (8'2")	2.50 m (8'2")
MP318 CC Jaw	✓	✓	✓	✓		
MP318 D Jaw	✓	✓	✓	✓		
MP318 P Jaw	✓	✓	✓	✓		
MP318 S Jaw	✓	✓	✓	✓	✓	✓
MP318 U Jaw	✓	✓	✓	✓		

CW-30s Dedicated Coupler

Undercarriage	Front Outriggers; Rear Blade					
	3.7 mt			4.2 mt		
Boom Type	VA	1 PC		VA	1 PC	
Stick Length	2.50 m (8'2")	2.50 m (8'2")	2.80 m (9'2")	2.50 m (8'2")	2.50 m (8'2")	2.80 m (9'2")
MP318 CC Jaw	✓	✓	✓	✓	✓	✓
MP318 D Jaw	✓	✓	✓	✓	✓	✓
MP318 P Jaw	✓	✓		✓	✓	
MP318 S Jaw	✓	✓	✓	✓	✓	✓
MP318 U Jaw	✓	✓	✓	✓	✓	✓

CW-30s Dedicated Coupler *(continued)*

Undercarriage	Front and Rear Outriggers					
	3.7 mt			4.2 mt		
Boom Type	VA	1 PC		VA	1 PC	
Stick Length	2.50 m (8'2")	2.50 m (8'2")	2.80 m (9'2")	2.50 m (8'2")	2.50 m (8'2")	2.80 m (9'2")
MP318 CC Jaw	✓	✓	✓	✓	✓	✓
MP318 D Jaw	✓	✓	✓	✓	✓	✓
MP318 P Jaw	✓	✓		✓	✓	
MP318 S Jaw	✓	✓	✓	✓	✓	✓
MP318 U Jaw	✓	✓	✓	✓	✓	✓

CW-30s Dedicated Coupler *(continued)*

Undercarriage	Front Outriggers; Rear Blade (Wide U/C)						Rear Blade (Wide U/C)	
	3.7 mt			4.2 mt			4.2 mt	
Boom Type	VA	1 PC		VA	1 PC		VA	1 PC
Stick Length	2.50 m (8'2")	2.50 m (8'2")	2.80 m (9'2")	2.50 m (8'2")	2.50 m (8'2")	2.80 m (9'2")	2.50 m (8'2")	2.50 m (8'2")
MP318 CC Jaw	✓	✓		✓	✓			✓*
MP318 D Jaw	✓	✓		✓	✓			✓*
MP318 P Jaw		✓			✓			
MP318 S Jaw	✓	✓	✓	✓	✓	✓	✓*	✓*
MP318 U Jaw		✓			✓			

(continued on next page)

Multi-Processors Technical Specifications

Matching – Wheeled Excavators *(continued)*

 Match

 * Working Range Front Only

 No Match

M320F *(continued)*

CW-30 Dedicated Coupler

Undercarriage	Front Outriggers; Rear Blade					
Counterweight	3.7 mt			4.2 mt		
Boom Type	VA	1 PC		VA	1 PC	
Stick Length	2.50 m (8'2")	2.50 m (8'2")	2.80 m (9'2")	2.50 m (8'2")	2.50 m (8'2")	2.80 m (9'2")
MP318 CC Jaw	✓	✓	✓	✓	✓	✓
MP318 D Jaw	✓	✓	✓	✓	✓	✓
MP318 P Jaw		✓			✓	
MP318 S Jaw	✓	✓	✓	✓	✓	✓
MP318 U Jaw	✓	✓	✓	✓	✓	✓

CW-30 Dedicated Coupler *(continued)*

Undercarriage	Front and Rear Outriggers					
Counterweight	3.7 mt			4.2 mt		
Boom Type	VA	1 PC		VA	1 PC	
Stick Length	2.50 m (8'2")	2.50 m (8'2")	2.80 m (9'2")	2.50 m (8'2")	2.50 m (8'2")	2.80 m (9'2")
MP318 CC Jaw	✓	✓	✓	✓	✓	✓
MP318 D Jaw	✓	✓	✓	✓	✓	✓
MP318 P Jaw		✓			✓	
MP318 S Jaw	✓	✓	✓	✓	✓	✓
MP318 U Jaw	✓	✓	✓	✓	✓	✓

CW-30 Dedicated Coupler *(continued)*

Undercarriage	Front Outriggers; Rear Blade (Wide U/C)						Rear Blade (Wide U/C)	
Counterweight	3.7 mt			4.2 mt			4.2 mt	
Boom Type	VA	1 PC		VA	1 PC		VA	1 PC
Stick Length	2.50 m (8'2")	2.50 m (8'2")	2.80 m (9'2")	2.50 m (8'2")	2.50 m (8'2")	2.80 m (9'2")	2.50 m (8'2")	2.50 m (8'2")
MP318 CC Jaw	✓	✓		✓	✓			✓*
MP318 D Jaw	✓	✓		✓	✓			✓*
MP318 P Jaw		✓			✓			
MP318 S Jaw	✓	✓	✓	✓	✓	✓	✓*	✓*
MP318 U Jaw		✓			✓			

(continued on next page)

Multi-Processors Technical Specifications

Matching – Wheeled Excavators *(continued)*

 Match

 * Working Range Front Only

 No Match

M322D2

Pin-on

Undercarriage	Front Outriggers; Rear Blade					
Counterweight	3.9 mt				4.4 mt	
Boom Type	VA		1 PC		VA	
Stick Length	2.20 m (7'3")	2.50 m (8'2")	2.20 m (7'3")	2.50 m (8'2")	2.20 m (7'3")	2.50 m (8'2")
MP318 CC Jaw	✓		✓		✓	
MP318 D Jaw	✓		✓		✓	
MP318 P Jaw	✓		✓		✓	
MP318 S Jaw	✓	✓	✓	✓	✓	✓
MP318 U Jaw	✓	✓	✓	✓	✓	✓

Pin-on *(continued)*

Undercarriage	Front Outriggers; Rear Blade					
Counterweight	4.4 mt		5.4 mt			
Boom Type	1 PC		VA		1 PC	
Stick Length	2.20 m (7'3")	2.50 m (8'2")	2.20 m (7'3")	2.50 m (8'2")	2.20 m (7'3")	2.50 m (8'2")
MP318 CC Jaw	✓		✓		✓	
MP318 D Jaw	✓		✓		✓	
MP318 P Jaw	✓		✓		✓	
MP318 S Jaw	✓	✓	✓	✓	✓	✓
MP318 U Jaw	✓	✓	✓	✓	✓	✓

Pin-on *(continued)*

Undercarriage	Front and Rear Outriggers							
Counterweight	3.9 mt				4.4 mt			
Boom Type	VA		1 PC		VA		1 PC	
Stick Length	2.20 m (7'3")	2.50 m (8'2")	2.20 m (7'3")	2.50 m (8'2")	2.20 m (7'3")	2.50 m (8'2")	2.20 m (7'3")	2.50 m (8'2")
MP318 CC Jaw	✓		✓		✓		✓	
MP318 D Jaw	✓		✓		✓		✓	
MP318 P Jaw	✓		✓		✓		✓	
MP318 S Jaw	✓	✓	✓	✓	✓	✓	✓	✓
MP318 U Jaw	✓	✓	✓	✓	✓	✓	✓	✓

Pin-on *(continued)*

Undercarriage	Front and Rear Outriggers				Rear Blade	
Counterweight	5.4 mt				3.9 mt	
Boom Type	VA		1 PC		VA	1 PC
Stick Length	2.20 m (7'3")	2.50 m (8'2")	2.20 m (7'3")	2.50 m (8'2")	2.20 m (7'3")	2.20 m (7'3")
MP318 CC Jaw	✓		✓		✓*	
MP318 D Jaw	✓		✓		✓*	
MP318 P Jaw	✓		✓			
MP318 S Jaw	✓	✓	✓	✓	✓*	✓*
MP318 U Jaw	✓	✓	✓	✓		

(continued on next page)

Multi-Processors Technical Specifications

Matching – Wheeled Excavators *(continued)*

 Match

 * Working Range Front Only

 No Match

M322D2 *(continued)*

Pin-on *(continued)*

Undercarriage	Rear Blade							
	4.4 mt				5.4 mt			
Counterweight	VA		1 PC		VA		1 PC	
Boom Type	2.20 m (7'3")	2.50 m (8'2")	2.20 m (7'3")	2.50 m (8'2")	2.20 m (7'3")	2.50 m (8'2")	2.20 m (7'3")	2.50 m (8'2")
Stick Length	2.20 m (7'3")	2.50 m (8'2")	2.20 m (7'3")	2.50 m (8'2")	2.20 m (7'3")	2.50 m (8'2")	2.20 m (7'3")	2.50 m (8'2")
MP318 CC Jaw	✓		✓		✓		✓	
MP318 D Jaw	✓		✓		✓		✓	
MP318 P Jaw	✓*		✓*		✓		✓	
MP318 S Jaw	✓	✓	✓	✓	✓	✓	✓	✓
MP318 U Jaw	✓*	✓*	✓*	✓*	✓	✓	✓	✓

Cat Pin Grabber Coupler

Undercarriage	Front Outriggers; Rear Blade					
	3.9 mt		4.4 mt		5.4 mt	
Counterweight	VA	1 PC	VA	1 PC	VA	1 PC
Boom Type	2.20 m (7'3")	2.20 m (7'3")	2.20 m (7'3")	2.20 m (7'3")	2.20 m (7'3")	2.20 m (7'3")
Stick Length	2.20 m (7'3")	2.20 m (7'3")	2.20 m (7'3")	2.20 m (7'3")	2.20 m (7'3")	2.20 m (7'3")
MP318 CC Jaw	✓	✓	✓	✓	✓	✓
MP318 D Jaw	✓	✓	✓	✓	✓	✓
MP318 P Jaw						
MP318 S Jaw	✓	✓	✓	✓	✓	✓
MP318 U Jaw	✓	✓	✓	✓	✓	✓

Cat Pin Grabber Coupler *(continued)*

Undercarriage	Front and Rear Outriggers						Rear Blade	
	3.9 mt		4.4 mt		5.4 mt		5.4 mt	
Counterweight	VA	1 PC	VA	1 PC	VA	1 PC	VA	1 PC
Boom Type	2.20 m (7'3")	2.20 m (7'3")	2.20 m (7'3")	2.20 m (7'3")	2.20 m (7'3")	2.20 m (7'3")	2.20 m (7'3")	2.20 m (7'3")
Stick Length	2.20 m (7'3")	2.20 m (7'3")	2.20 m (7'3")	2.20 m (7'3")	2.20 m (7'3")	2.20 m (7'3")	2.20 m (7'3")	2.20 m (7'3")
MP318 CC Jaw	✓	✓	✓	✓	✓	✓	✓*	✓*
MP318 D Jaw	✓	✓	✓	✓	✓	✓	✓*	✓*
MP318 P Jaw								
MP318 S Jaw	✓	✓	✓	✓	✓	✓	✓	✓
MP318 U Jaw	✓	✓	✓	✓	✓	✓	✓*	✓*

CW-40s Dedicated Coupler

Undercarriage	Front Outriggers; Rear Blade								
	3.9 mt			4.4 mt			5.4 mt		
Counterweight	VA	1 PC		VA	1 PC		VA	1 PC	
Boom Type	2.20 m (7'3")	2.20 m (7'3")	2.50 m (8'2")	2.20 m (7'3")	2.20 m (7'3")	2.50 m (8'2")	2.20 m (7'3")	2.20 m (7'3")	2.50 m (8'2")
Stick Length	2.20 m (7'3")	2.20 m (7'3")	2.50 m (8'2")	2.20 m (7'3")	2.20 m (7'3")	2.50 m (8'2")	2.20 m (7'3")	2.20 m (7'3")	2.50 m (8'2")
MP318 CC Jaw									
MP318 D Jaw									
MP318 P Jaw									
MP318 S Jaw			✓			✓			✓
MP318 U Jaw	✓	✓	✓	✓	✓	✓	✓	✓	✓

(continued on next page)

Multi-Processors Technical Specifications

Matching – Wheeled Excavators (continued)

Match

* Working Range Front Only

No Match

M322D2 (continued)

CW-40s Dedicated Coupler (continued)

Undercarriage	Front and Rear Outriggers								
	3.9 mt			4.4 mt			5.4 mt		
Counterweight	VA	1 PC		VA	1 PC		VA	1 PC	
Stick Length	2.20 m (7'3")	2.20 m (7'3")	2.50 m (8'2")	2.20 m (7'3")	2.20 m (7'3")	2.50 m (8'2")	2.20 m (7'3")	2.20 m (7'3")	2.50 m (8'2")
MP318 CC Jaw									
MP318 D Jaw									
MP318 P Jaw									
MP318 S Jaw		✓			✓			✓	
MP318 U Jaw	✓	✓	✓	✓	✓	✓	✓	✓	✓

CW-40s Dedicated Coupler (continued)

Undercarriage	Rear Blade			
	4.4 mt	5.4 mt		
Boom Type	1 PC	VA	1 PC	
Stick Length	2.20 m (7'3")	2.20 m (7'3")	2.20 m (7'3")	2.50 m (8'2")
MP318 CC Jaw				
MP318 D Jaw				
MP318 P Jaw				
MP318 S Jaw	✓*		✓	
MP318 U Jaw		✓	✓	✓*

CW-40 Dedicated Coupler

Undercarriage	Front Outriggers; Rear Blade								
	3.9 mt			4.4 mt			5.4 mt		
Counterweight	VA	1 PC		VA	1 PC		VA	1 PC	
Stick Length	2.20 m (7'3")	2.20 m (7'3")	2.50 m (8'2")	2.20 m (7'3")	2.20 m (7'3")	2.50 m (8'2")	2.20 m (7'3")	2.20 m (7'3")	2.50 m (8'2")
MP318 CC Jaw									
MP318 D Jaw									
MP318 P Jaw									
MP318 S Jaw		✓			✓			✓	
MP318 U Jaw	✓	✓	✓	✓	✓	✓	✓	✓	✓

CW-40 Dedicated Coupler (continued)

Undercarriage	Front and Rear Outriggers								
	3.9 mt			4.4 mt			5.4 mt		
Counterweight	VA	1 PC		VA	1 PC		VA	1 PC	
Stick Length	2.20 m (7'3")	2.20 m (7'3")	2.50 m (8'2")	2.20 m (7'3")	2.20 m (7'3")	2.50 m (8'2")	2.20 m (7'3")	2.20 m (7'3")	2.50 m (8'2")
MP318 CC Jaw									
MP318 D Jaw									
MP318 P Jaw									
MP318 S Jaw		✓			✓			✓	
MP318 U Jaw	✓	✓	✓	✓	✓	✓	✓	✓	✓

(continued on next page)

Multi-Processors Technical Specifications

Matching – Wheeled Excavators *(continued)*

 Match

 * Working Range Front Only

 No Match

M322D2 *(continued)*

CW-40 Dedicated Coupler *(continued)*

Undercarriage	Rear Blade			
	4.4 mt	5.4 mt		
Counterweight	4.4 mt	5.4 mt		
Boom Type	1 PC	VA	1 PC	
Stick Length	2.20 m (7'3")	2.20 m (7'3")	2.20 m (7'3")	2.50 m (8'2")
MP318 CC Jaw				
MP318 D Jaw				
MP318 P Jaw				
MP318 S Jaw	✓*		✓	
MP318 U Jaw		✓	✓	✓*

M322F

Pin-on

Undercarriage	Front Blade; Rear Outriggers							
	3.5 mt				4.7 mt			
Counterweight	3.5 mt				4.7 mt			
Boom Type	VA		1 PC		VA		1 PC	
Stick Length	2.50 m (8'2")	2.90 m (9'6")	2.50 m (8'2")	2.90 m (9'6")	2.50 m (8'2")	2.90 m (9'6")	2.50 m (8'2")	2.90 m (9'6")
MP318 CC Jaw	✓		✓	✓	✓		✓	✓
MP318 D Jaw	✓		✓	✓	✓		✓	✓
MP318 P Jaw	✓		✓		✓		✓	
MP318 S Jaw	✓	✓	✓	✓	✓	✓	✓	✓
MP318 U Jaw	✓		✓		✓		✓	

Pin-on *(continued)*

Undercarriage	Front Outriggers; Rear Blade							
	3.5 mt				4.7 mt			
Counterweight	3.5 mt				4.7 mt			
Boom Type	VA		1 PC		VA		1 PC	
Stick Length	2.50 m (8'2")	2.90 m (9'6")	2.50 m (8'2")	2.90 m (9'6")	2.50 m (8'2")	2.90 m (9'6")	2.50 m (8'2")	2.90 m (9'6")
MP318 CC Jaw	✓		✓	✓	✓		✓	✓
MP318 D Jaw	✓		✓	✓	✓		✓	✓
MP318 P Jaw	✓		✓		✓		✓	
MP318 S Jaw	✓	✓	✓	✓	✓	✓	✓	✓
MP318 U Jaw	✓		✓		✓		✓	

Pin-on *(continued)*

Undercarriage	Front and Rear Outriggers							
	3.5 mt				4.7 mt			
Counterweight	3.5 mt				4.7 mt			
Boom Type	VA		1 PC		VA		1 PC	
Stick Length	2.50 m (8'2")	2.90 m (9'6")	2.50 m (8'2")	2.90 m (9'6")	2.50 m (8'2")	2.90 m (9'6")	2.50 m (8'2")	2.90 m (9'6")
MP318 CC Jaw	✓		✓	✓	✓		✓	✓
MP318 D Jaw	✓		✓	✓	✓		✓	✓
MP318 P Jaw	✓		✓		✓		✓	
MP318 S Jaw	✓	✓	✓	✓	✓	✓	✓	✓
MP318 U Jaw	✓		✓		✓		✓	

(continued on next page)

Multi-Processors Technical Specifications

Matching – Wheeled Excavators *(continued)*

 Match

 * Working Range Front Only

 No Match

M322F *(continued)*

Pin-on *(continued)*

Undercarriage	Rear Blade				
	3.5 mt	4.7 mt			
Counterweight	3.5 mt	4.7 mt			
Boom Type	1 PC	VA		1 PC	
Stick Length	2.50 m (8'2")	2.50 m (8'2")	2.90 m (9'6")	2.50 m (8'2")	2.90 m (9'6")
MP318 CC Jaw		✓		✓	✓
MP318 D Jaw		✓		✓	✓
MP318 P Jaw		✓		✓	
MP318 S Jaw	✓*	✓	✓	✓	✓
MP318 U Jaw		✓		✓	

CW-40s Dedicated Coupler

Undercarriage	Front Blade; Rear Outriggers				Front Outriggers; Rear Blade			
	3.5 mt		4.7 mt		3.5 mt		4.7 mt	
Boom Type	VA	1 PC	VA	1 PC	VA	1 PC	VA	1 PC
Stick Length	2.50 m (8'2")	2.50 m (8'2")	2.50 m (8'2")	2.50 m (8'2")	2.50 m (8'2")	2.50 m (8'2")	2.50 m (8'2")	2.50 m (8'2")
MP318 CC Jaw		✓		✓		✓		✓
MP318 D Jaw	✓	✓	✓	✓	✓	✓	✓	✓
MP318 P Jaw								
MP318 S Jaw	✓	✓	✓	✓	✓	✓	✓	✓
MP318 U Jaw		✓		✓		✓		✓

CW-40s Dedicated Coupler *(continued)*

Undercarriage	Front and Rear Outriggers				Rear Blade	
	3.5 mt		4.7 mt		4.7 mt	
Boom Type	VA	1 PC	VA	1 PC	VA	1 PC
Stick Length	2.50 m (8'2")	2.50 m (8'2")	2.50 m (8'2")	2.50 m (8'2")	2.50 m (8'2")	2.50 m (8'2")
MP318 CC Jaw		✓		✓		✓*
MP318 D Jaw	✓	✓	✓	✓	✓*	✓
MP318 P Jaw						
MP318 S Jaw	✓	✓	✓	✓	✓	✓
MP318 U Jaw		✓		✓		✓*

CW-40 Dedicated Coupler

Undercarriage	Front Blade; Rear Outriggers				Front Outriggers; Rear Blade			
	3.5 mt		4.7 mt		3.5 mt		4.7 mt	
Boom Type	VA	1 PC	VA	1 PC	VA	1 PC	VA	1 PC
Stick Length	2.50 m (8'2")	2.50 m (8'2")	2.50 m (8'2")	2.50 m (8'2")	2.50 m (8'2")	2.50 m (8'2")	2.50 m (8'2")	2.50 m (8'2")
MP318 CC Jaw	✓	✓	✓	✓	✓	✓	✓	✓
MP318 D Jaw	✓	✓	✓	✓	✓	✓	✓	✓
MP318 P Jaw								
MP318 S Jaw	✓	✓	✓	✓	✓	✓	✓	✓
MP318 U Jaw		✓		✓		✓		✓

(continued on next page)

Multi-Processors Technical Specifications

Matching – Wheeled Excavators *(continued)*

Match

* Working Range Front Only

No Match

M322F *(continued)*

CW-40 Dedicated Coupler *(continued)*

Undercarriage	Front and Rear Outriggers				Rear Blade	
	3.5 mt		4.7 mt		4.7 mt	
Counterweight						
Boom Type	VA	1 PC	VA	1 PC	VA	1 PC
Stick Length	2.50 m (8'2")	2.50 m (8'2")	2.50 m (8'2")	2.50 m (8'2")	2.50 m (8'2")	2.50 m (8'2")
MP318 CC Jaw	✓	✓	✓	✓	✓*	✓*
MP318 D Jaw	✓	✓	✓	✓	✓*	✓
MP318 P Jaw						
MP318 S Jaw	✓	✓	✓	✓	✓	✓
MP318 U Jaw		✓		✓		✓*

For more complete information on Cat products, dealer services, and industry solutions, visit us on the web at www.cat.com

GEJQ9362-00 (01-2019)
(AME, CIS, EU, N Am, S Am, Turkey)

© 2019 Caterpillar
All rights reserved

Materials and specifications are subject to change without notice. Featured machines in photos may include additional equipment. See your Cat dealer for available options.

CAT, CATERPILLAR, LET'S DO THE WORK, their respective logos, "Caterpillar Yellow", the "Power Edge" and Cat "Modern Hex" trade dress as well as corporate and product identity used herein, are trademarks of Caterpillar and may not be used without permission.

