



Caterpillar is leading the power generation marketplace with Power Solutions engineered to deliver unmatched flexibility, expandability, reliability, and cost-effectiveness.

Specifications

Generator Set Specifications	
Rating (ekW)	808
Rating (kVA)	1010
Voltage	415 Volts
Frequency	50 Hz
Speed	1500 rpm

Generator Set Configuration	
Emissions / Fuel Strategy	Low Fuel Consumption

Engine Specifications	
Engine Model	C32 ACERT™ TA, V12, 4-stroke Water-cooled Diesel
Bore	145 mm
Displacement	32.1 L
Stroke	162 mm
Compression Ratio	15.0:1
Aspiration	Turbocharged Aftercooled
Governor Type	ADEM™ A4
Fuel System	MEUI™

Benefits & Features

Cat® Diesel Engine

- Reliable, rugged, durable design.
- Field-proven in thousands of applications worldwide.
- Four-stroke-cycle diesel engine combines consistent performance and excellent fuel economy with minimum weight.

Generator

- Matched to the performance and output characteristics of Cat engines.
- Industry-leading mechanical and electrical design.
- Industry-leading motor starting capabilities.
- High efficiency.

Cat EMCP Control Panel

The EMCP controller features the reliability and durability you have come to expect from your Cat equipment. EMCP 4 is a scalable control platform designed to ensure reliable generator set operation, providing extensive information about power output and engine operation. EMCP 4 systems can be further customized to meet your needs through programming and expansion modules.

Design Criteria

The Generator set meets transient response and Block loading step as per ISO 8528-5. Conforms to ISO 8528-5 G3 load acceptance requirements.

Single-source Supplier

Fully Prototype tested with certified torsional vibration analysis.

World-wide Product Support

Cat dealers provide extensive post-sale support including maintenance and repair agreements. Cat dealers have over 1,800 dealer branch stores operating in 200 countries. The Caterpillar S•O•S program cost-effectively detects internal engine component condition, even the presence of unwanted fluids and combustion by-products.

Standard Equipment

Air Inlet

- Air cleaner.
- Service Indicator.

Cooling

- Package-mounted Heat Exchanger

Exhaust

- Dry Exhaust manifold.
- Flange faced outlets.
- Mufflers.
- Stainless Steel Exhaust Flex fitting.
- Flanges.

Fuel

- Primary fuel filter with integral water separator.
- Secondary fuel filter.
- Fuel priming pump.
- Flexible fuel lines.
- Remote mounted Fuel cooler.

Generator

- Matched to the performance and output characteristics of Cat engines.
- IP23 Protection.
- AREP Excitation.
- Class H Insulation, Class H temperature rise.
- Random wound.
- Integrated voltage Regulator EM 10 (IVR)
- Load Acceptance Module (LAM).

Power Termination

- Bus Bar.
- Right side standard.

Control Panel

- EMCP 4.2 Genset Controller.
- Emergency Stop Button.

Mounting

- Rubber Anti-vibration Mounts.

Starting/Charging

- Batteries with mounting rack and cables (standard).
- Charging alternator – 45 Amps, 24 Volts.
- Heavy duty starting system – 24 Volts.

General

- 990 liters fuel tank.
- Paint – Caterpillar Yellow except rails and Heat exchanger in gloss black.

Optional Equipment

- Winding Temperature Detector.
- Bearing Temperature Detector.
- Anticondensation Heater.
- Jacket water heater
- Heavy-duty air cleaner.
- Option for remote mounting of UIP.

**C32 ACERT™
808 ekW / 1010 kVA / 50 Hz / 1500 rpm / 415V / 0.8 Power Factor**

Rating Type: Prime

Fuel Strategy: Low Fuel Consumption



Image shown is for Heat Exchanger version.
Images shown might not reflect actual configuration

Package Performance	
Generator set power rating without Fan @ 0.8 power factor	808 ekW
Generator set power rating	1010 kVA
Aftercooler (separate circuit)	Air-to-Water

Fuel Consumption	
100% load	200.7 L/hr
75% load	149.8 L/hr
50% load	103.1 L/hr
25% load	60 L/hr

Cooling System	
Engine coolant capacity	55 L
Coolant capacity with Heater	330 L
Raw water flow(min)	1000 LPM
Heat load for cooling tower sizing	500kW

Inlet Air	
Combustion Air inlet flow rate	62.2 m ³ /min
Max. Allowable combustion Air inlet temp	49°C

C32 ACERT™

808 kW/ 1010 kVA/ 50 Hz/ 1500 rpm/ 415V/ 0.8 Power Factor

Rating Type: Prime

Fuel Strategy: Low Fuel Consumption

Exhaust System	
Exhaust stack gas temperature	498.3°C
Exhaust gas flow rate	166.2 m ³ /min
Exhaust system back pressure (max. allowable)	10 kPa

Heat Rejection	
Heat Rejection to Jacket Water	301 kW
Heat Rejection to Exhaust (total)	749 kW
Heat Rejection to Aftercooler	155 kW
Heat Rejection to Atmosphere from Engine	108 kW
Heat Rejection to Atmosphere from Generator	41kW

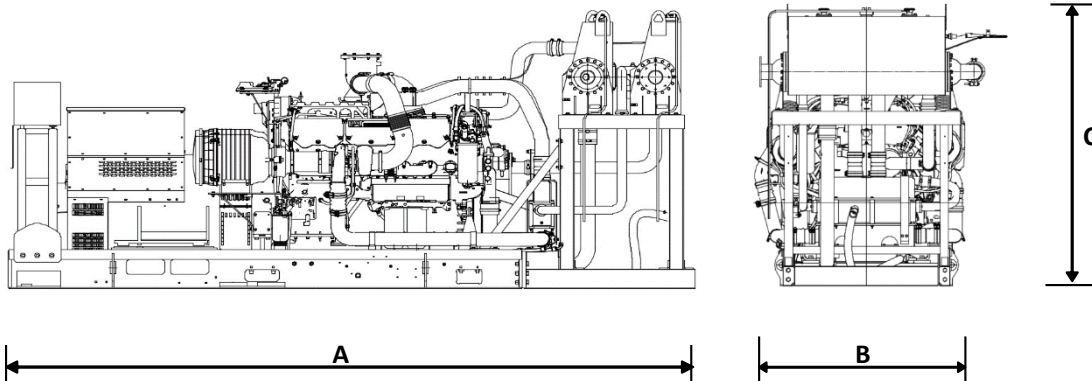
Alternator	
Motor Starting Capability @ 30% Voltage Dip at 0.4PF	2297 skVA
Current	1407 Amps
Frame size	1402
Excitation	IE
Temperature rise	125°C

- For ambient and altitude capabilities consult your Cat dealer.
- Air flow restriction (system) is added to existing restriction from factory.
- Generator temperature rise is based on a 40°C (104°F) ambient.

C32 ACERT™
808 ekW/ 1010 kVA/ 50 Hz/ 1500 rpm/ 415V/ 0.8 Power Factor

Rating Type: Prime

Fuel Strategy: Low Fuel Consumption



Dim "A" mm (in)	Dim "B" mm (in)	Dim "C" mm (in)	Dry Weight kg (lb)
4769.2(187.76)	1901.6 (74.86)	2119.0 (83.43)	8880(19850)

DEFINITIONS AND CONDITIONS

Applicable Codes and Standards:

ISO3046, ISO8528, IEC60034-1, IS4722.

Note: Codes may not be available in all model configurations. Please consult your local Cat dealer representative for availability.

Prime: Output available with varying load for unlimited time. Prime power in accordance with ISO 8528. 10% overload power in accordance with ISO 3046.

Ratings are based on SAE J1349 standard conditions. These ratings also apply at ISO3046 standard conditions.

Fuel Rates are based on fuel oil of 35° API [16°C] gravity having a LHV of 42,780 kJ/kg when used at 29°C and weighing 838.9 g/liter (7.001 lbs/U.S.gal.)

Additional ratings may be available for specific customer requirements, contact your Cat representative for details. For information regarding low sulfur fuel and biodiesel capability, please consult your Cat dealer.

www.cat.com/electricpower

©2020 Caterpillar

All rights reserved.

Materials and specifications are subject to change without notice.
The International System of Units (SI) is used in this publication.

Date: 29/04/2020
Source Country: India
Performance No:EM2186-01
Generator Arr No: 4326118

CAT, CATERPILLAR, LET'S DO THE WORK, their respective logos, ADEM, EUI, "Caterpillar Cororate Yellow", the "Power Edge" and Cat "Modern Hex" trade dress as well as corporate and product identity used herein, are trademarks of Caterpillar and may not be used without permission.