

# Cat<sup>®</sup> Multi V-Plow

SKID STEER LOADERS  
MULTI TERRAIN LOADERS  
COMPACT TRACK LOADERS  
COMPACT WHEEL LOADERS

Cat<sup>®</sup> Multi V-Plows Buckets for Cat Skid Steer Loaders, Multi Terrain Loaders, Compact Track Loaders and Compact Wheel Loaders are a versatile attachment for snow removal applications with the capability to hydraulically angle five different blade configurations. Push, plow, sweep, or scoop snow and ice to clear surfaces and restore passage to driveways, sidewalks, parking lots, and roadways.

## Features

### Curved moldboard

- Curved moldboard design rolls and folds the snow while windrowing, minimizing snow clinging to its surface and spilling over the top.

### Bolt-on reversible/replaceable cutting edges

- Bolt-on reversible/replaceable cutting edges are made of hardened steel and deliver long life and high performance.

### Blade float

- Blade float allows the plow the ability to pivot up to five degrees about the plow frame allowing the blade to follow surface contours and plow more efficiently.

### Adjustable trip edges

- Adjustable trip edges are incorporated into the base of each wing. Sectioned off moldboard springs back upon contact with unseen obstacles minimizing risk of damage to the v-plow and machine.

### Bolt-on serrated step

- Bolt-on serrated step provides enhanced safety and ergonomic access to machine cab that is replaceable if damaged.

### Integrated hydraulic cross-over relief valves

- Integrated hydraulic cross-over relief valves provide pressure surge protection and maximize tool life. Dampening hydraulic pressure spikes, the cross-over relief valves reduce the chance of hydraulic component seal failure and downtime.

### Adjustable skid plates

- Adjustable skid plates reduce the chances of gouging plowed surface and allow for improved operator control and maintains a constant cutting edge depth.

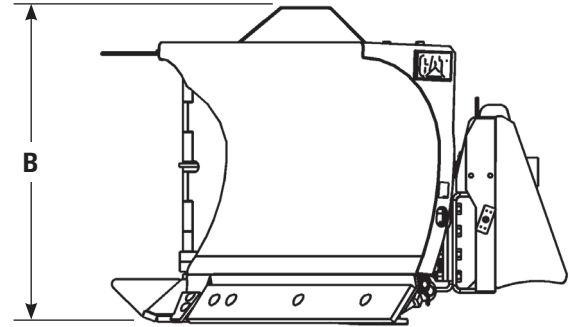
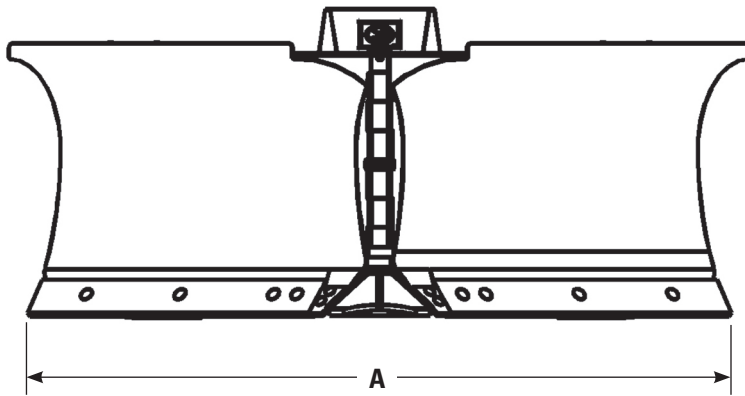
### Multiple blade configurations

- Right/Left Angled: Quickly and easily windrows snow to the designated side of the machine.
- Straight: Provides maximum width for piling and stacking snow high and clearing light snow cove.
- V (plow mode): Quickly cuts initial pathway through deep, hard packed snow piles and drifts.
- V (scoop mode): Push, collect, pile high or hold snow for removal to another area for final clean up.

## Compatibility

Model	Machines
1524 mm (60 in)	216B3, 226B3, 226D, 232D, 236D, 239D, 242D, 246D, 249D, 257D, 259D, 262D, 272D2, 272D2 XHP, 277D, 279D, 287D, 289D, 297D2, 297D2 XHP, 299D2, 299D2 XHP, 903C2, 903D, 906K, 907K, 908K, 906M, 907M, 908M
2134 mm (84 in)	216B3, 226B3, 226D, 232D, 236D, 239D, 242D, 246D, 249D, 257D, 259D, 262D, 272D2, 272D2 XHP, 277D, 279D, 287D, 289D, 297D2, 297D2 XHP, 299D2, 299D2 XHP, 903C2, 903D, 906K, 907K, 908K, 906M, 907M, 908M

## Specifications



		1524 mm (60 in)		2134 mm (84 in)			
<b>A</b>	Straight Width	mm	(in)	1524	(60)	2134	(84)
	Angled Width	mm	(in)	1346	(53)	1854	(73)
	V-Width (scoop mode)	mm	(in)	1372	(54)	1847	(73)
	V-Width (plow mode)	mm	(in)	1483	(59)	1982	(78)
Weight		kg	(lb)	290	(640)	426	(940)
<b>B</b>	Blade Height	mm	(in)	737	(29)	737	(29)
	Overall Height	mm	(in)	826	(33)	826	(33)
Length		mm	(in)	1320	(52)	1320	(52)
Optimal Hydraulic Flow		L/min	(gpm)	57-76	(15-20)	57-76	(15-20)
Optimal Hydraulic Pressure		bar	(psi)	207	(3,000)	207	(3,000)
Float		degrees		± 5		± 5	
Hydraulic Angling (left/right of center)		degrees		± 35		± 35	
Trip Edge Quantity				2		2	
Trip Edge Type				Steel		Steel	
Trip Edge Height		mm	(in)	101	(4)	101	(4)
Trip Edge Pivot Height		mm	(in)	83	(3.25)	83	(3.25)

For more complete information on Cat products, dealer services, and industry solutions, visit us on the web at [www.cat.com](http://www.cat.com)

AEHQ8161 (10-2018)

© 2018 Caterpillar  
All rights reserved

Materials and specifications are subject to change without notice. Featured machines in photos may include additional equipment. See your Cat dealer for available options.

CAT, CATERPILLAR, SAFETY.CAT.COM, their respective logos, "Caterpillar Yellow" and the "Power Edge" trade dress, as well as corporate and product identity used herein, are trademarks of Caterpillar and may not be used without permission.

