



D8T

Track-Type Tractor

Technical Specifications

Engine

Engine Model	Cat® C15 ACERT™	
Emissions	U.S. EPA Tier 4 Final/ EU Stage IV/ Korea Tier 4 Final	
Net Power (Rated) – 1,900 rpm		
ISO 9249/SAE J1349	264 kW	354 hp
ISO 9249/SAE J1349 (DIN)	359 hp	
Engine Power (Maximum) – 1,600 rpm		
ISO 14396	294 kW	394 hp
ISO 14396 (DIN)	400 hp	
Bore	137 mm	5.4 in
Stroke	172 mm	6.75 in
Displacement	15.2 L	928 in ³

- Net power advertised is the power available at the flywheel when the engine is equipped with fan, air cleaner, muffler, and alternator.
- No derating required up to 3566 m (11,700 ft) altitude, beyond 3566 m (11,700 ft) automatic derating occurs.
- All nonroad Tier 4 Final, Stage IV, Korea Tier 4 Final diesel engines are required to use only Ultra Low Sulfur Diesel (ULSD) with 15 ppm (mg/kg) of sulfur or less, or up to B20 biodiesel blended with ULSD. B20 should meet ASTM D7467 specification (biodiesel blend stock should meet Cat biodiesel spec, ASTM D6751 or EN 14214). Cat DEO-ULS™ or oils that meet the Cat ECF-3, API CJ-4, and ACEA E9 specification are required. Consult your OMM for further machine specific fuel recommendations.
- Diesel Exhaust Fluid (DEF) used in Cat Selective Catalytic Reduction (SCR) systems must meet the requirements outlined in the International Organization for Standardization (ISO) standard 22241.

Service Refill Capacities

Fuel Tank	627 L	165 gal
Diesel Exhaust Fluid Tank	24 L	6.3 gal
Cooling System	86 L	22.7 gal
Engine Crankcase*	38 L	10.0 gal
Power Train	155 L	41.0 gal
Final Drives (each)	12.5 L	3.3 gal
Roller Frames (each)	65 L	17.2 gal
Pivot Shaft Compartment	40 L	10.6 gal
Hydraulic Tank	75 L	19.8 gal

* With oil filter.

Air Conditioning System

The air conditioning system on this machine contains the fluorinated greenhouse gas refrigerant R134a (Global Warming Potential = 1430). The system contains 2.5 kg of refrigerant which has a CO₂ equivalent of 3.575 metric tonnes.

D8T Track-Type Tractor Specifications

Weights

Operating Weight		
Standard (Single-Shank Ripper)	39 750 kg	87,600 lb
LGP (Drawbar)	37 750 kg	83,200 lb
Shipping Weight		
Standard (Single-Shank Ripper)	30 400 kg	67,020 lb
LGP (Drawbar)	31 490 kg	69,425 lb

- Operating Weight – Standard: Includes hydraulic controls, blade, tilt cylinder, coolant, lubricants, 100% fuel, ROPS, FOPS cab, SU-Blade, Single-Shank Ripper, 610 mm (24 in) MS shoes, and operator.
- Operating Weight – LGP: Includes hydraulic controls, blade, tilt cylinder, drawbar, coolant, lubricants, 100% fuel, ROPS, FOPS cab, SU-Blade, 965 mm (38 in) MS shoes, and operator.
- Shipping Weight – Standard: Includes coolant, lubricants, 20% fuel, ROPS, FOPS cab, and 610 mm (24 in) MS shoes.
- Shipping Weight – LGP: Includes coolant, lubricants, 20% fuel, ROPS, FOPS cab, and 965 mm (38 in) MS shoes.

Weights – Waste Handler

Operating Weight		
Waste Handler	39 650 kg	87,400 lb
LGP Waste Handler	41 850 kg	92,300 lb
Shipping Weight		
Waste Handler	33 610 kg	74,100 lb
LGP Waste Handler	35 630 kg	78,550 lb

- Operating Weight – Standard: Includes hydraulic controls, blade, tilt cylinder, coolant, lubricants, 100% fuel, ROPS, FOPS cab, Waste SU-Blade, striker box, 610 mm (24 in) MS shoes, and operator.
- Operating Weight – LGP: Includes hydraulic controls, blade, tilt cylinder, drawbar, coolant, lubricants, 100% fuel, ROPS, FOPS cab, Waste SU-Blade, 965 mm (38 in) MS shoes, striker box, and operator.
- Shipping Weight – Standard: Includes coolant, lubricants, 20% fuel, ROPS, FOPS cab, striker box, and 610 mm (24 in) MS shoes.
- Shipping Weight – LGP: Includes coolant, lubricants, 20% fuel, ROPS, FOPS cab, striker box, and 965 mm (38 in) MS shoes.

Undercarriage

Standard		
Shoe Type	Moderate Service	
Width of Shoe	610 mm	24 in
Shoes/Side	44	
Track Rollers per Side	8	
Grouser Height	78 mm	3.1 in
Pitch	216 mm	8.5 in
Ground Clearance	613 mm	24.1 in
Track Gauge	2083 mm	82 in
Length of Track on Ground	3206 mm	126 in
Ground Contact Area	3.91 m ²	6,060 in ²
Ground Pressure (ISO 16754)	90.3 kPa	13.1 psi

LGP		
Shoe Type	Moderate Service	
Width of Shoe	965 mm	38 in
Shoes/Side	44	
Track Rollers per Side	8	
Grouser Height	78 mm	3.1 in
Pitch	216 mm	8.5 in
Ground Clearance	613 mm	24.1 in
Track Gauge	2337 mm	92 in
Length of Track on Ground	3206 mm	126 in
Ground Contact Area	6.19 m ²	9,593 in ²
Ground Pressure (ISO 16754)	54.2 kPa	7.9 psi

Hydraulic Controls

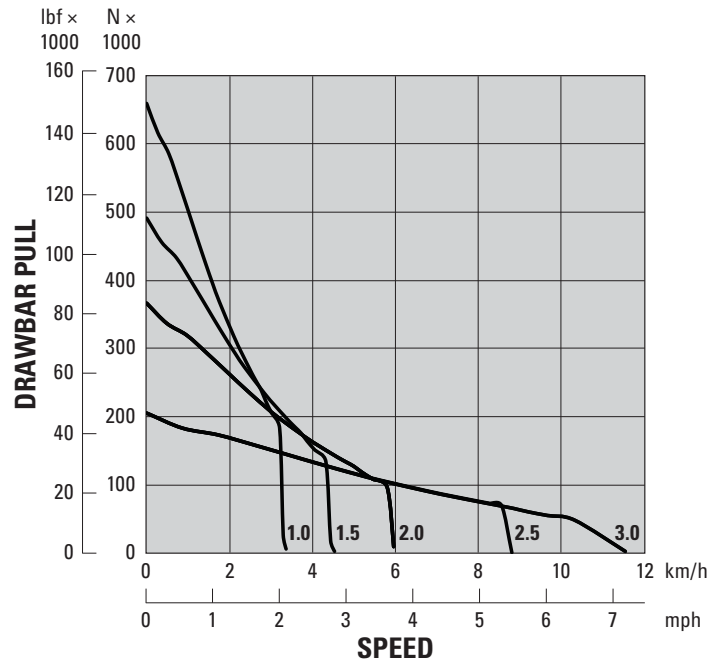
Pump Type	Piston-type, Variable Displacement	
Pump Output (Steering)	284 L/min	75 gal/min
Pump Output (Implement)	244 L/min	64 gal/min
Tilt Cylinder Rod End Flow	132 L/min	35 gal/min
Tilt Cylinder Head End Flow	170 L/min	45 gal/min
Bulldozer Relief Valve Setting	24 000 kPa	3,480 psi
Tilt Cylinder Relief Valve Setting	24 000 kPa	3,480 psi
Ripper (Lift) Relief Valve Setting	24 000 kPa	3,480 psi
Ripper (Pitch) Relief Valve Setting	24 000 kPa	3,480 psi
Steering	43 000 kPa	6,240 psi

- Steering Pump output measured at 2,364 rpm (pump speed) and 30 000 kPa (4,351 psi).
- Implement Pump output measured at 1,900 rpm and 6895 kPa (1,000 psi).
- Electro-hydraulic pilot valve assists operations of ripper and dozer controls. A standard hydraulic system includes four valves.
- Complete system consists of pump, tank, filter, oil cooler, valves, lines, and control levers.

D8T Track-Type Tractor Specifications

Transmission

1 Forward	3.5 km/h	2.2 mph
1.5 Forward	4.8 km/h	3.0 mph
2 Forward	6.6 km/h	4.1 mph
3 Forward	11.3 km/h	7.0 mph
1.5 Reverse	4.8 km/h	3.0 mph
2.0 Reverse	6.4 km/h	4.0 mph
2.5 Reverse	8.7 km/h	5.4 mph
3.0 Reverse	11.8 km/h	7.3 mph
Drawbar Pull		
1 Forward	659.2 kN	148,200 lbf
1.5 Forward	490.8 kN	110,350 lbf
2 Forward	366.1 kN	82,300 lbf
3 Forward	205.8 kN	46,250 lbf



Ripper

	Single-Shank, Adjustable Parallelogram		Multi-Shank, Adjustable Parallelogram	
	1	3	3	3
Number of Pockets	1	3	3	3
Overall Beam Width	—	—	2464 mm	97 in
Maximum Clearance Raised (under tip, pinned in bottom hole)	636 mm	25 in	593 mm	23.4 in
Maximum Penetration (standard tip)	1130 mm	44.4 in	780 mm	30.7 in
Maximum Penetration Force (shank vertical)	127.3 kN	28,620 lb	124.2 kN	27,920 lb
Pry out Force	222.7 kN	50,070 lb	—	—
Pry out Force (Multi-Shank Ripper with one tooth)	—	—	222.9 kN	51,230 lb
Weight* (without hydraulic controls)	3957 kg	8,705 lb	—	—
Weight				
With One Shank	—	—	3946 kg	8,681 lb
Each Additional Shank	—	—	332 kg	732 lb
Total Operating Weight* (with SU-Blade and Ripper)	39 750 kg	87,600 lb	39 740 kg	87,610 lb

* Total Operating Weight: Includes hydraulic controls, blade tilt cylinder, coolant, lubricants, 100% fuel. ROPS, FOPS cab, blade, single-shank 610 mm (24 in) MS shoes, and operator.

D8T Track-Type Tractor Specifications

Winches

Winch Model	PA140VS	
Weight*	2136 kg	4,709 lb
Oil Capacity	15 L	4 gal
Increased Tractor Length	781 mm	30.7 in
Winch Length	1614 mm	63.5 in
Winch Case Width	1226 mm	48.3 in
Drum Width	332 mm	13.1 in
Flange Diameter	610 mm	24.0 in
Recommended Cable Size	29 mm	1.13 in
Optimal Cable Size	32 mm	1.25 in
Drum Capacity		
Recommended Cable Length	84 m	276 ft
Optional Cable	62 m	204 ft

- Variable speed, hydraulically driven, dual braking system, three roller fairlead.

* Includes winch, mounting group, and oil.

Winch Model	W12E	
Weight*	2880 kg	6,350 lb
Oil Capacity	121 L	32 gal
Increased Tractor Length	669 mm	26.4 in
Winch Length	1485 mm	58.5 in
Winch Case Width	1216 mm	48.0 in
Drum Width	281 mm	12.0 in
Flange Diameter	635 mm	25.0 in
Recommended Cable Size	29 mm	1.13 in
Optimal Cable Size	32 mm	1.25 in
Drum Capacity		
Recommended Cable Length	69 m	227 ft
Optional Cable	55 m	181 ft

- Fixed speed, PTO driven.

* Includes winch, mounting group, and oil.

Track Shoes

	610 mm (24 in)	660 mm (26 in)	700 mm (27.5 in)	710 mm (28 in)	965 mm (38 in)
Positive Pin Retention Track					
Moderate Service	✓			✓	✓
Moderate Service, Trapezoidal				✓	
Extreme Service	✓	✓		✓	
Extreme Service, Trapezoidal	✓	✓	✓		
Heavy Duty Extreme Service Track – HDXL with DuraLink™	✓	✓	✓		

- Additional track shoe types/widths available by special order. Please consult your Cat dealer for details.

Standards

- The declared dynamic operator sound pressure level is 76 dB(A) when “ISO 6396:2008” is used to measure the value for an enclosed cab. The measurement was conducted at 70% of the maximum engine cooling fan speed. The sound level may vary at different engine cooling fan speeds. The measurement was conducted with the cab doors and the cab windows closed. The cab was properly installed and maintained.
- Hearing protection may be needed when the machine is operated with an open operator station for extended periods or in a noisy environment. Hearing protection may be needed when the machine is operated with a cab that is not properly maintained or when the doors and windows are open for extended periods.
- **Sound Level Information for Machines in European Union Countries and in Countries that Adopt the “European Union Directives”** – The information below applies to only the machine configurations that have the “CE” mark on the Product Identification Plate.
- The declared dynamic operator sound pressure level is 75 dB(A) when “ISO 6396:2008” is used to measure the value for an enclosed cab. The measurement was conducted at 70% of the maximum engine cooling fan speed. The sound level may vary at different engine cooling fan speeds. The measurement was conducted with the cab doors and the cab windows closed. The cab was properly installed and maintained.
- The declared exterior sound power level is 113 dB(A) when the value is measured according to the dynamic test procedures and the conditions that are specified in “ISO 6395:2008.” The measurement was conducted at 70% of the maximum engine cooling fan speed. The sound level may vary at different engine cooling fan speeds.

ROPS/FOPS

- Rollover Protective Structure (ROPS) meets the following criteria: ISO 3471:2008.
- Falling Object Protective Structure (FOPS) meets the following criteria: ISO 3449:2005 Level II.

Brakes

- Crawler Machine Brake Requirements meets the following criteria: ISO 10265:2008.

D8T Track-Type Tractor Specifications

Blades

	Capacity		Width*		Width Over End Bits		Height		Digging Depth	
Semi-Universal (SU)	10.3 m ³	13.4 yd ³	3900 mm	12.8 ft	4042 mm	13.3 ft	1747 mm	5.7 ft	573 mm	22.56 in
SU with Rock Guard, Wear Plate	10.3 m ³	13.4 yd ³	3900 mm	12.8 ft	4042 mm	13.3 ft	2017 mm	6.6 ft	573 mm	22.56 in
SU with Push Plate	10.3 m ³	13.4 yd ³	3900 mm	12.8 ft	4042 mm	13.3 ft	1747 mm	5.7 ft	573 mm	22.56 in
SU Landfill with Wear Plate	21.2 m ³	27.8 yd ³	3900 mm	12.8 ft	4042 mm	13.3 ft	2553 mm	8.4 ft	573 mm	22.56 in
SU with Performance Cutting Edges	10.3 m ³	13.4 yd ³	3900 mm	12.8 ft	3962 mm	13.0 ft	1747 mm	5.7 ft	573 mm	22.56 in
SU with Rock Guard, Performance Cutting Edges	10.3 m ³	13.4 yd ³	3900 mm	12.8 ft	3962 mm	13.0 ft	2017 mm	6.6 ft	573 mm	22.56 in
Universal	11.8 m ³	15.4 yd ³	4123 mm	13.5 ft	4265 mm	14.0 ft	1732 mm	5.7 ft	573 mm	22.56 in
Universal with Rock Guard, Wear Plate	11.8 m ³	15.4 yd ³	4123 mm	13.5 ft	4265 mm	14.0 ft	2012 mm	6.6 ft	573 mm	22.56 in
Universal Landfill	23.4 m ³	30.6 yd ³	4123 mm	13.5 ft	4265 mm	14.0 ft	2544 mm	8.3 ft	573 mm	22.56 in
Angle Blade	5.2 m ³	6.8 yd ³	4531 mm	14.9 ft	5043 mm	16.5 ft	1177 mm	3.9 ft	625 mm	24.61 in
LGP SU	9.9 m ³	12.9 yd ³	4402 mm	14.4 ft	4543 mm	14.9 ft	1622 mm	5.3 ft	575 mm	22.64 in
LGP SU Landfill	22.2 m ³	29.0 yd ³	4402 mm	14.4 ft	4543 mm	14.9 ft	2454 mm	8.0 ft	575 mm	22.64 in
LGP Angle	5.6 m ³	7.3 yd ³	5041 mm	16.5 ft	5553 mm	18.2 ft	1177 mm	3.9 ft	625 mm	24.61 in

	Ground Clearance		Maximum Tilt		Weight* (without hydraulic controls)		Total Operating Weight**		Rear Attachment in Total Operating Weight
Semi-Universal (SU)	1255 mm	49.41 in	895 mm	35.24 in	4407 kg	9,716 lb	39 750 kg	87,634 lb	SS ripper
SU with Rock Guard, Wear Plate	1255 mm	49.41 in	895 mm	35.24 in	4998 kg	11,019 lb	40 341 kg	88,937 lb	SS ripper
SU with Push Plate	1255 mm	49.41 in	895 mm	35.24 in	4655 kg	10,263 lb	39 998 kg	88,180 lb	SS ripper
SU Landfill with Wear Plate	1255 mm	49.41 in	895 mm	35.24 in	5251 kg	11,576 lb	39 650 kg	87,413 lb	striker box
SU with Performance Cutting Edges	1255 mm	49.41 in	895 mm	35.24 in	4547 kg	10,024 lb	39 890 kg	87,942 lb	SS ripper
SU with Rock Guard, Performance Cutting Edges	1255 mm	49.41 in	895 mm	35.24 in	5130 kg	11,310 lb	40 473 kg	89,228 lb	SS ripper
Universal	1230 mm	48.43 in	968 mm	38.11 in	4895 kg	10,792 lb	40 238 kg	88,709 lb	SS ripper
Universal with Rock Guard, Wear Plate	1230 mm	48.43 in	968 mm	38.11 in	5454 kg	12,024 lb	40 797 kg	89,942 lb	SS ripper
Universal Landfill	1230 mm	48.43 in	968 mm	38.11 in	5840 kg	12,876 lb	40 239 kg	88,712 lb	striker box
Angle Blade	1323 mm	52.09 in	733 mm	28.86 in	5121 kg	11,289 lb	40 464 kg	89,208 lb	SS ripper
LGP SU	1228 mm	48.35 in	859 mm	33.82 in	4703 kg	10,368 lb	37 750 kg	83,224 lb	drawbar
LGP SU Landfill	1228 mm	48.35 in	859 mm	33.82 in	5062 kg	11,159 lb	41 850 kg	92,263 lb	striker box
LGP Angle	1323 mm	52.09 in	657 mm	25.87 in	5714 kg	12,597 lb	38 761 kg	85,453 lb	drawbar

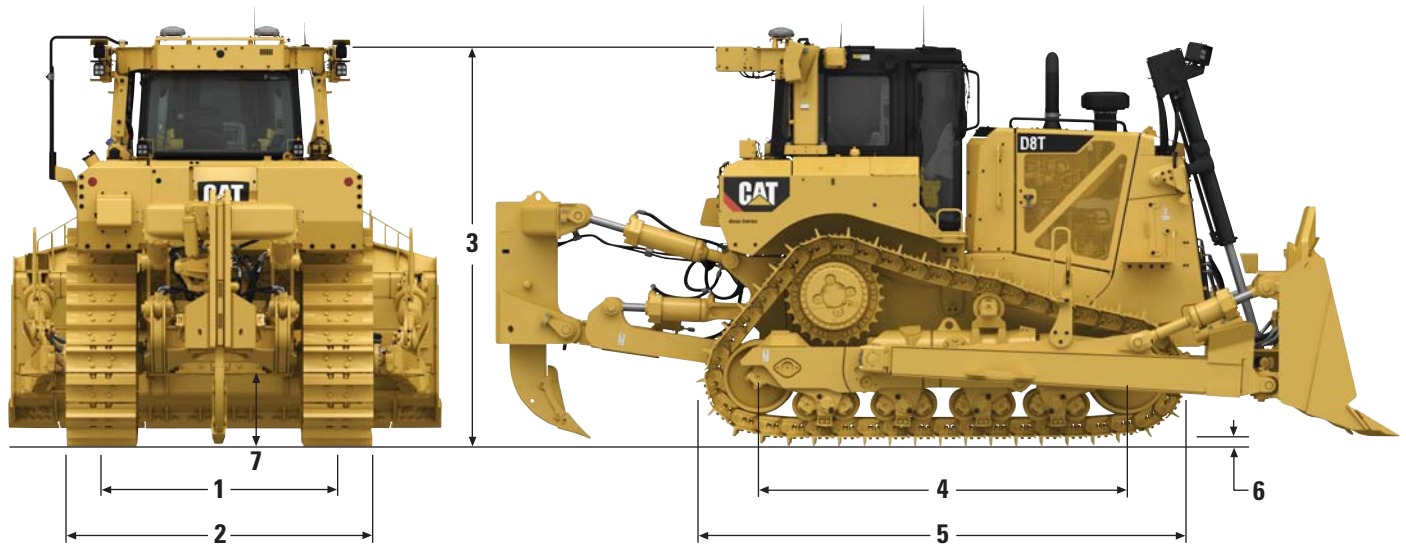
* Includes blade tilt cylinder.

** Operating Weight: Includes hydraulic controls, blade tilt cylinder, coolant, lubricants, 100% fuel, ROPS, FOPS cab, blade, rear attachment, 610 mm (24 in) MS shoes, and operator.

D8T Track-Type Tractor Specifications

Dimensions

All dimensions are approximate.



	Standard		Non-Suspended		LGP*	
1 Track Gauge	2083 mm	82.0 in	2083 mm	82.0 in	2337 mm	92.0 in
2 Width of Tractor						
Over Trunnions	3057 mm	120.4 in	3057 mm	120.4 in	3311 mm	130.4 in
Without Trunnions (standard shoe width)	2693 mm	106.0 in	2693 mm	106.0 in	3302 mm	130.0 in
3 Machine Height**, from Tip of Grouser						
Exhaust Stack	3472 mm	136.7 in	3463 mm	136.3 in	3295 mm	129.7 in
EROPS (to top of railing)	3566 mm	140.4 in	3575 mm	140.7 in	3566 mm	140.4 in
4 Length of Track on Ground	3206 mm	126.2 in	3258 mm	128.3 in	3206 mm	126.2 in
5 Length of Basic Tractor (tag link trunnion to tip of rear grouser)	4647 mm	183.0 in	4647 mm	183.0 in	4647 mm	183.0 in
With the following attachments add:						
Ripper – Single-Shank (with tip at ground line)	1519 mm	59.8 in	1519 mm	59.8 in	Not Available	
Ripper – Multi-Shank (with tip at ground line)	1613 mm	63.5 in	1613 mm	63.5 in	Not Available	
SU Blade	1904 mm	75.0 in	1904 mm	75.0 in	1904 mm	75.0 in
U Blade	2241 mm	88.2 in	2241 mm	88.2 in	Not Available	
A Blade (not angled)	2027 mm	79.8 in	2027 mm	79.8 in	Not Available	
A Blade (angled 25 degrees)	3068 mm	120.8 in	3068 mm	120.8 in	Not Available	
Drawbar	406 mm	16.0 in	406 mm	16.0 in	406 mm	16.0 in
6 Height of Grouser	78 mm	3.1 in	78 mm	3.1 in	78 mm	3.1 in
7 Ground Clearance	613 mm	24.1 in	606 mm	23.8 in	613 mm	24.1 in

*Standard shoe width of D8T LGP with non-suspended undercarriage is 965 mm (38 in).

**When Cat GRADE with 3D antennas are installed, overall machine height increases by approximately 82 mm (3.2 in).

D8T Standard and Optional Equipment

Standard and Optional Equipment

Standard and optional equipment may vary. Consult your Cat dealer for details.

	Standard	Optional		Standard	Optional
POWER TRAIN			CAT CONNECT TECHNOLOGY		
Cat C15 ACERT Diesel Engine, electronic unit injection	✓		Attachment Ready Option (ARO)		✓
Engine mounted aftertreatment to meet Tier 4 Final/Stage IV/Korea Tier 4 Final emission standards	✓		AutoCarry/AutoRip, single tilt or dual tilt		✓
24V electric start	✓		Cat GRADE with 3D		✓
Aftercooler, air-to-air (ATAAC)	✓		Cat GRADE with Slope Assist		✓
Air filter, with electronic service indicator	✓		Cat Slope Indicate	✓	
Brakes, Extreme Service		✓	COMMAND for Dozing Ready		✓
Coolant, extended life	✓		Grade Control Ready	✓	
Drains, ecology, power train		✓	Product Link™ – Cellular or Dual Mode		✓
Engine precleaner with screen		✓	OPERATOR ENVIRONMENT		
Engine, thermal shield		✓	Access/egress lighting with shutdown timer	✓	
Fan, suction, auto reversing	✓		Armrests, adjustable	✓	
Four planet, double-reduction planetary final drives	✓		Cab glass – enhanced 40 psi		✓
Fuel priming pump, electric	✓		Cab glass – enhanced dual pane		✓
Full autoshift	✓		Cab, ROPS/FOPS, sound suppressed	✓	
High performance single plane cooling system	✓		Deactivation switch, hydraulic controls	✓	
Oil change system, high speed		✓	Decelerator pedal	✓	
Parking brake, electronic	✓		Governor switch, electronic	✓	
Precleaner, strata-tube dust ejector	✓		Heater and ventilation	✓	
Prescreener	✓		Interior LED courtesy lights	✓	
Radiator, 6.35 fins per inch, debris	✓		Mirror, rearview	✓	
Sound attenuated exhaust system	✓		Provision for wire passage in/out of cab	✓	
Starting aid, automatic ether	✓		Radio, AM/FM, Bluetooth®	✓	
Torque divider with lock-up clutch	✓		ROPS mounted air conditioner	✓	
Transmission control module, electronic	✓		Seat belt, retractable	✓	
Transmission, electronically-controlled powershift	✓		Seat, cloth, air-suspension	✓	
Turbocharger	✓		Seat, cloth, heated		✓
Water separator	✓		Seat, heated and ventilated		✓
			Touchscreen operator interface	✓	
			Visibility arrangement – mirrors		✓
			Visibility arrangement – single camera		✓
			Window shades		✓
			Wipers, intermittent	✓	

(continued on next page)

D8T Standard and Optional Equipment

Standard and Optional Equipment *(continued)*

Standard and optional equipment may vary. Consult your Cat dealer for details.

	Standard	Optional		Standard	Optional
UNDERCARRIAGE			HYDRAULICS		
Gauge arrangements – Standard or LGP	✓		Dozer tilt hydraulics – dual tilt		✓
Rollers and idlers, lifetime lubricated	✓		Dozer tilt hydraulics – single tilt	✓	
Sprocket rim segments, replaceable	✓		Electronically enabled quick drop valve	✓	
Suspension-type undercarriage	✓		Hydraulics, electronically controlled, load-sensing dozer lift and tilt	✓	
8-roller tubular track roller frame (carrier roller ready)	✓		Hydraulics, electronically controlled, load-sensing rear hydraulics, ripper or winch ready	✓	
Track adjusters, hydraulic	✓		Hydraulics, independent steering and work tool pumps	✓	
Track guide	✓		Hydraulics, ripper		✓
Two-piece master links	✓		Hydraulics, winch		✓
Positive Pin Retention (PPR) undercarriage – 44 section track, sealed and lubricated, single grouser shoes	✓		ELECTRICAL		
610 mm (24 in) PPR moderate service shoes*	✓		Alarm, back-up	✓	
PPR undercarriage, suspended, guarded		✓	Converter, 24V to 12V	✓	
PPR undercarriage, arctic		✓	Diagnostic connector	✓	
Heavy Duty, Extended Life (HDXL) undercarriage – 44 section track, sealed and lubricated, single grouser shoes		✓	Ground level service center with hour meter	✓	
HDXL undercarriage, suspended		✓	Horn, forward warning	✓	
HDXL undercarriage, suspended, guarded		✓	Light, warning strobe		✓
HDXL undercarriage, arctic		✓	Light, warning strobe mount		✓
Carrier rollers, suspended		✓	Lights – premium light package		✓
Carrier rollers, suspended – arctic		✓	Lights – six-light package	✓	
Carrier rollers, none		✓	BULLDOZERS <i>(see chart for available blade options)</i>		
Final drives, standard or LGP	✓		8SU/U – basic, guarded or dual tilt guarded		✓
Final drives, standard or LGP, guarded		✓	8SU LGP – basic		✓
Final drives, standard, arctic		✓	8 LGP – single tilt guarded or dual tilt guarded		✓
			8A		✓

*For optional track shoe offerings, please refer to chart on page 4.

(continued on next page)

D8T Standard and Optional Equipment

Standard and Optional Equipment (continued)

Standard and optional equipment may vary. Consult your Cat dealer for details.

	Standard	Optional		Standard	Optional
PUSH ARMS			FLUIDS, LUBRICANTS, COOLANTS		
Single tilt, standard	✓		Engine coolant, standard (-37° C/-35° F)	✓	
Single tilt, extreme		✓	Engine coolant, arctic (-51° C/-60° F)		✓
Dual tilt, standard or extreme		✓	OTHER STANDARD EQUIPMENT		
BOTTOM GUARDS			Equalizer bar, pinned	✓	
Hinged	✓		Front pull device	✓	
Powered		✓	HVAC box – corrosive resistant	✓	
Heavy duty, sealed		✓	Mounting, lift cylinders	✓	
Wood chip		✓	Oil cooler, hydraulic	✓	
Bottom guards with front counterweight		✓	Product Link	✓	
REAR ATTACHMENTS			S·O·S SM sampling ports	✓	
Ripper – single-shank		✓	Steering, electronically controlled power differential	✓	
Ripper – single-shank with pin puller		✓	Vandalism protection for fluid compartments	✓	
Ripper – single-shank with striker bar		✓	Engine compartment service light	✓	
Ripper – single-shank with puller and striker bar		✓	GUARDS		
Ripper – multi-shank		✓	Guard, fan debris		✓
Ripper – multi-shank with striker bar		✓	Guard, fast fuel		✓
Counterweight, rear		✓	Guard, fuel tank		✓
Drawbar, rigid		✓	Guard, grill debris		✓
Rear striker bar		✓	Rear screen		✓
Winch, PA140VS, variable speed		✓	Striker bars, front, suspended		✓
Winch, W12E PTO		✓	Sweeps group		✓
STARTERS, BATTERIES, AND ALTERNATORS			OTHER ATTACHMENTS		
Batteries – Heavy Duty	✓		Black paint, blade		✓
Batteries – Arctic		✓	Grab handles, push arm		✓
Alternators – 150 Amp	✓				
Alternators – 150 Amp, ducted		✓			
Starting aids – engine heaters		✓			
Heater, engine coolant (120V)		✓			

For more complete information on Cat products, dealer services, and industry solutions, visit us on the web at www.cat.com

© 2018 Caterpillar
All rights reserved

Materials and specifications are subject to change without notice. Featured machines in photos may include additional equipment. See your Cat dealer for available options.

CAT, CATERPILLAR, SAFETY.CAT.COM, their respective logos, "Caterpillar Yellow" and the "Power Edge" trade dress, as well as corporate and product identity used herein, are trademarks of Caterpillar and may not be used without permission.

AEXQ2356-01 (05-2018)
Replaces AEXQ2356
Build Number: 21A
(North America, Europe,
ANZ, Turkey, Korea)

