

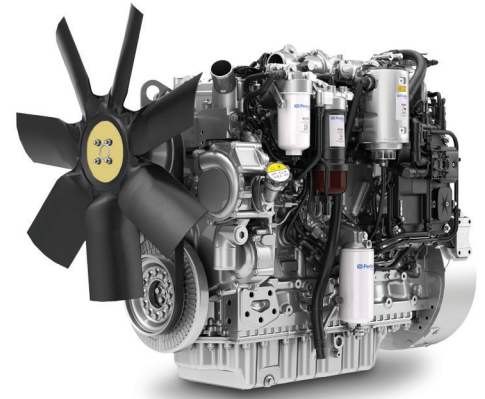
1206J-E70TTA

Industrial Engine

EU Stage V/U.S. EPA Tier 4 Final

151-225 kW/202-302 hp

The 6 cylinder option for the Perkins® 1200 Series, the 1206J gives you a complete power solution that meets EU Stage V/U.S. EPA Tier 4 Final emission standards. The choice of options, engine configurations and robust technology allows you to integrate the 1206 range into your equipment with minimum re-engineering.



Features and Benefits

Performance

The high power density and excellent torque in our 1206 range gives machine manufacturers the opportunity to use our 6 cylinder engine instead of a larger engine.

Installation and package

Working closely with OEMs, we have developed the 1206 range with hundreds of variables so that it easily fits into your machine.

Fluid consumption

Reliability and durability

Our 1206 range engines come with two year warranties as standard.

Specification	
Cylinders	6
Displacement litres (in ³)	7.01 (427.7)
Aspiration	Series turbocharged aftercooled
Bore and stroke mm (in)	105 x 135 (4.13 x 5.3)
Maximum power kW (hp)	225 (302)
Rated speed (rpm)	2200
Maximum torque Nm (lb ft) @ rpm	1282 (945) @ 1400
Combustion system	Direct injection
Weight kg (lb)	715 (1576)
Rotation (viewed from flywheel)	Anti-clockwise

For more information please contact a Perkins distributor: <http://distributorlocator.perkins.com>

All information in this document is substantially correct at time of printing and may be altered subsequently.
Photographs are for illustrative purposes only and may not reflect final specification.
Final weight and dimensions will depend on completed specification.
Information subject to selected configuration, and subject to change without notice.
Performance measured per ISO 14396.

 **Perkins**®

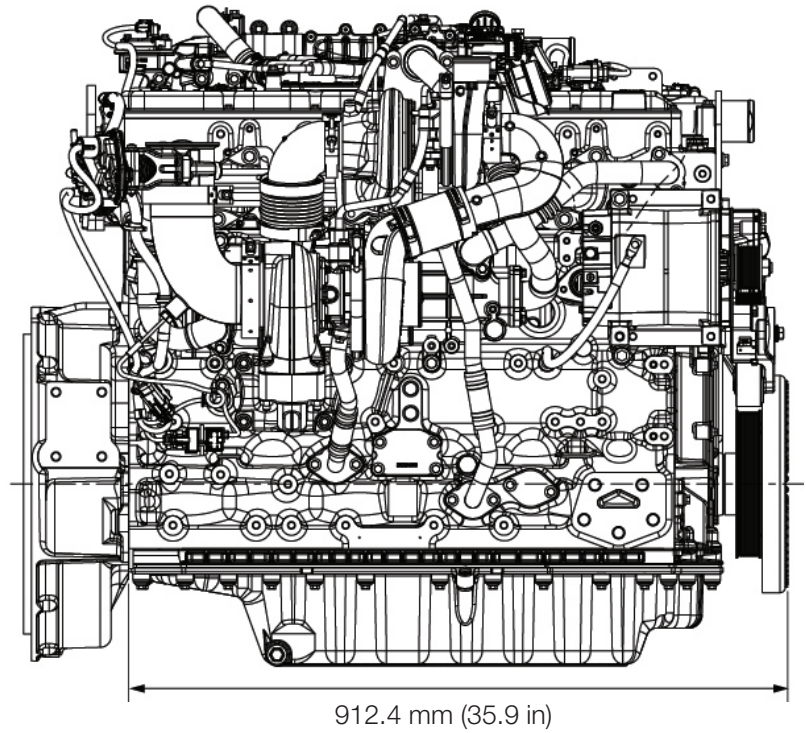
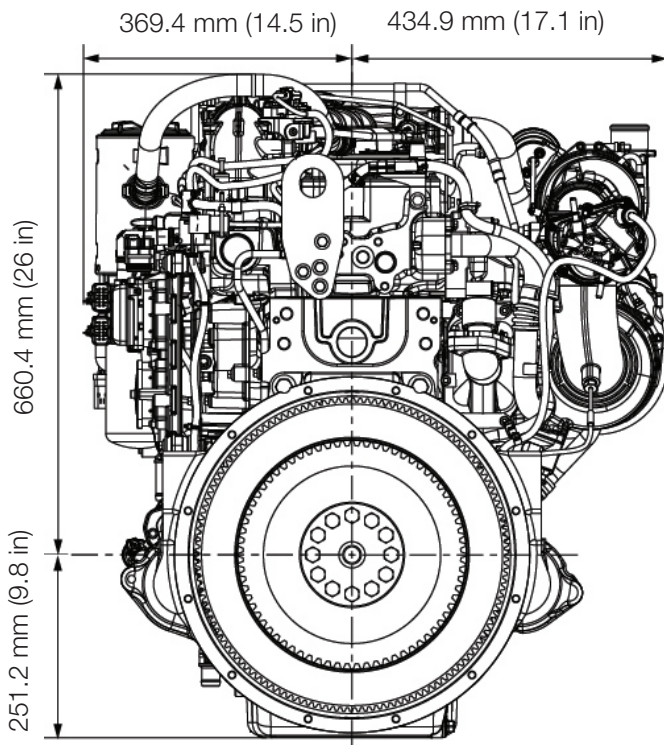
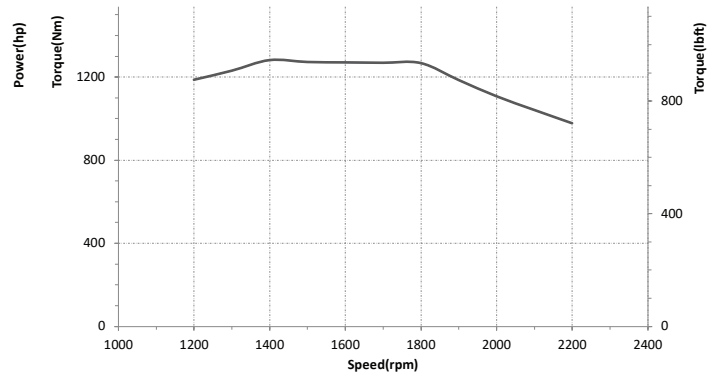
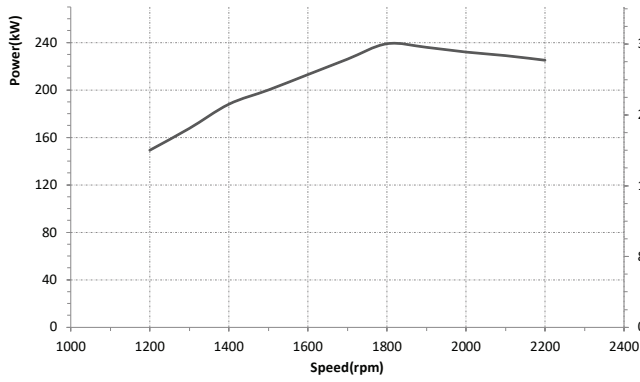
THE HEART OF EVERY GREAT MACHINE

1206J-E70TTA

Industrial Engine

EU Stage V/U.S. EPA Tier 4 Final

151-225 kW/202-302 hp



For more information please contact a Perkins distributor: <http://distributorlocator.perkins.com>

All information in this document is substantially correct at time of printing and may be altered subsequently.
Photographs are for illustrative purposes only and may not reflect final specification.
Final weight and dimensions will depend on completed specification.
Information subject to selected configuration, and subject to change without notice.
Performance measured per ISO 14396.

 **Perkins**[®]

THE HEART OF EVERY GREAT MACHINE