

Cat® G3512

Load Management Gas Generator Sets



Image shown may not reflect actual configuration

Bore – mm (in)	170 (6.7)
Stroke – mm (in)	190 (7.5)
Displacement – L (in ³)	52 (3173)
Compression Ratio	9.8
Aspiration	Turbocharged
Fuel System	Electronic Fuel Control Valve
Governor Type	ADEM™ A4

Continuous – Load Management 60 Hz ekW (kVA)	Emissions Performance
1000 (1250)	NOx configurable from 0.5 to 2.0 g/bhp-hr

Standard Features

Cat® Engine

- Robust high speed block design provides prolonged life and lower owning and operating costs
- Designed for maximum performance on low pressure gaseous fuel supply
- Simple open chamber combustion system for reliability and fuel flexibility

Generator Set Package

- Accepts 100% block load in one step and facilitates compliance with NPFA 110, Type 10 starting and loading requirements
- Conforms to ISO 8528-5 G2 load acceptance criteria
- Reliability verified through torsional vibration, fuel consumption, oil consumption, transient performance, and endurance testing

Alternators

- Superior motor starting capability minimizes need for oversizing generator
- Designed to match performance and output characteristics of Cat engines

Cooling System

- Cooling systems available to operate in ambient temperatures up to 45°C (113°F)
- Package tested to ensure proper cooling of complete generator set

EMCP 4 Control Panels

- User-friendly interface and navigation
- Scalable system to meet a wide range of installation requirements
- Expansion modules and site specific programming for specific customer requirements

Warranty

- 24 months/1000-hour warranty for standby ratings
- 12 months/unlimited hour warranty for continuous ratings
- Extended service protection is available to provide extended coverage options

Worldwide Product Support

- Cat dealers have over 1,800 dealer branch stores operating in 200 countries
- Your local Cat dealer provides extensive post-sale support, including maintenance and repair agreements

Financing

- Caterpillar offers an array of financial products to help you succeed through financial service excellence
- Options include loans, finance lease, operating lease, working capital, and revolving line of credit
- Contact your local Cat dealer for availability in your region

Optional Equipment

Engine

Air Cleaner (Single Element)

- Installed
- Supplied loose

Muffler

- Industrial grade (15 dB)
- Residential grade (18 dB)
- Critical grade (25 dB)
- Spark arresting

Starting

- Standard batteries
- Standard electric starter(s)
- Air starter(s)
- Jacket water heater

Alternator

Output voltage

- 220V 600V
- 240V 2400V
- 380V 4160V
- 400V 6600V
- 415V 6900V
- 440V 10500V
- 480V 11000V

Temperature Rise (over 40°C ambient)

- 150°C
- 125°C/130°C
- 105°C
- 80°C

Winding type

- Random wound
- Form wound

Excitation

- Permanent magnet (PM)

Attachments

- Anti-condensation heater
- Stator and bearing temperature monitoring and protection

Power Termination

Type

- Bus bar
- Circuit breaker
- 400A 800A
- 1200A 1600A
- 2000A 2500A
- 3200A 4000A
- UL IEC
- 3-pole 4-pole
- Manually operated
- Electrically operated

Trip Unit

- LSI LSI-G
- LSIG-P

Enclosure

- Weather protective
- Sound attenuated

Attachments

- Cold weather bundle
- DC lighting package
- AC lighting package
- Motorized louvers

Fuel System Pressure

- Standard
- Low

Control System

Controller

- EMCP 4.2
- EMCP 4.3
- EMCP 4.4

Attachments

- Local annunciator module
- Remote annunciator module
- Remote monitoring software
- Load share module

Charging

- Battery charger – 5A
- Battery charger – 10A
- Battery charger – 20A
- Battery charger – 35A
- Battery charger – 50A

Vibration Isolators

- Rubber
- Spring
- Seismic rated

Cat Connect

Connectivity

- Ethernet

Extended Service Options

Terms

- 2 year
- 3 year
- 5 year
- 10 year

Coverage

- Silver
- Gold
- Platinum
- Platinum Plus

Ancillary Equipment

- Automatic transfer switch (ATS)
- Uninterruptible power supply (UPS)
- Paralleling switchgear
- Paralleling controls

Certifications

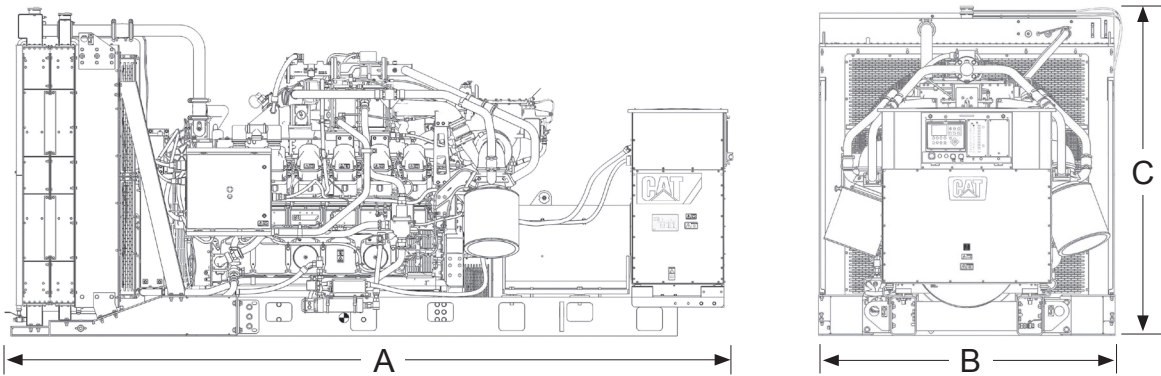
- UL 2200 Listed
- CSA Certified
- EU Declaration of Conformity
- EEC Declaration of Conformity

Note: Some options may not be available on all models. Certifications may not be available with all model configurations. Consult factory for availability.

Package Performance

Performance		Continuous – Load Management	
Frequency	60 Hz		
Genset power rating – ekW (kVA)	1000	(1000)	
Genset power rating @ 0.8 power factor – ekW (kVA)	1250	(1250)	
Performance number	EM2089-02		
Fuel Consumption			
100% load with fan – MJ/ekW-hr (Btu/ekW-hr)	10.24	(9715)	
75% load with fan – MJ/ekW-hr (Btu/ekW-hr)	10.73	(10177)	
50% load with fan – MJ/ekW-hr (Btu/ekW-hr)	11.79	(11174)	
Cooling System			
Radiator air flow restriction – kPa (in. water)	.12	(.5)	
Radiator air flow – m ³ /min (cfm)	1830	(64625)	
Radiator ambient capability @ 152 m (500 ft) – °C (°F)	41	(106)	
SCAC circuit temperature (maximum inlet) – °C (°F)	43	(130)	
Jacket water temperature (maximum outlet) – °C (°F)	99	(210)	
Inlet Air			
Combustion air inlet flow rate (0°C, 101.3 kPa)/(77°F, 14.7 psia) – m ³ /min (cfm)	4.33	(3045)	
Altitude Capability			
At 25°C (77°F) ambient, above sea level – m (ft)	1928	(6325)	
Exhaust System			
Exhaust temperature – engine outlet – °C (°F)	512	(954)	
Air flow (0°C, 101.3 kPa)/(@ engine outlet temperature, 14.7 psia) – Nm ³ /bKW-hr (ft ³ /min)	4.61	(8647)	
Exhaust Gas Mass Flow – kg/bkW-hr (lb/hr)	5.80	(13501)	
Heat Rejection			
LHV input – kW (Btu/min)	2901	(164978)	
Heat rejection to jacket water – kW (Btu/min)	424	(24090)	
Heat rejection to atmosphere – kW (Btu/min)	151	(9588)	
Heat rejection to lube oil (OC) – kW (Btu/min)	82	(4650)	
Heat rejection to exhaust (LHV to 77°F) – kW (Btu/min)	993	(56464)	
Heat rejection to exhaust (LHV to 248°F) – kW (Btu/min)	780	(44379)	
Heat rejection to A/C – Stage 1 (1AC) – kW (Btu/min)	104	(5898)	
Heat rejection to A/C – Stage 2 (2AC) – kW (Btu/min)	94	(5355)	
Pump power – kW (Btu/min)	17	(971)	
Emissions			
EPA – S.I. Stationary Continuous	U.S. NSPS Compliant		
NOx (as NO ₂) – mg/Nm ³ (g/bhp-hr)	456	(1)	
CO – mg/Nm ³ (g/bhp-hr)	834	(1.83)	
THC (mol. wt. of 15.84) – mg/Nm ³ (g/bhp-hr)	1075	(2.36)	
NMHC (mol. wt. of 15.84) – mg/Nm ³ (g/bhp-hr)	172	(0.38)	
Exhaust O ₂ – % dry	9.4		

Weights and Dimensions



Dim "A" mm (in)	Dim "B" mm (in)	Dim "C" mm (in)	Dry Weight kg (lb)
5224 (205.7)	2286 (90.0)	2525 (99.4)	12 500 (27,500)

Note: For reference only. Do not use for installation design. Contact your local Cat dealer for precise weights and dimensions.

Ratings Definitions

Continuous

Output available with non-varying load for an unlimited time. Average power output is 70-100% of the continuous power rating. Typical peak demand is 100% of continuous rated kW for 100% of the operating hours.

Applicable Codes and Standards

AS 1359, CSA C22.2 No. 100-04, UL 489, UL 869, UL 2200, NFPA37, NFPA70, NFPA99, NFPA110, IBC, IEC 60034-1, ISO 3046, ISO 8528, NEMA MG1-22, NEMA MG1-33, 2014/35/EU, 2006/42/EC, 2014/30/EU.

Note: Codes and standards compliance may not be available in all model configurations. Please consult your local Cat dealer for availability.

Fuel Rates

1. For transient response, ambient, and altitude capabilities consult your local Cat dealer.
2. Fuel pressure range specified is to the engine fuel control valve. Additional fuel train components may be required and should be considered in pressure and flow calculations.
3. For a complete reference of definitions and conditions see datasheet EM1508.

<http://www.cat.com/powergeneration>

©2017 Caterpillar
All rights reserved.

Materials and specifications are subject to change without notice.
The International System of Units (SI) is used in this publication.

CAT, CATERPILLAR, their respective logos, ADEM, "Caterpillar Yellow", the "Power Edge" trade dress as well as corporate and product identity used herein, are trademarks of Caterpillar and may not be used without permission.