



WHEEL LOADERS

Cat[®] Advansys[™] Tips and Adapters

**FASTER, EASIER,
SAFER**

**Higher productivity
hammerless G.E.T.**

Cat[®] Advansys[™] 130-220 tips and adapters are built specifically for demanding high production applications, with easier penetration into the pile and faster cycle times.



BUILT FOR IT.[™]



ADVANSYS LASTS LONGER WITH HIGHER PRODUCTIVITY

TIPS
last up to

10-30%
LONGER

ADAPTERS
have up to

30-50%
LONGER LIFE than K or J series

TIP CHANGE
DOWNTIME
is reduced by

50-75%

MOVE MORE MATERIAL WITH LESS DOWNTIME

Built for your 988-994 wheel loader, the Cat Advansys hammerless system simplifies installation with integrated retention components and streamlines retrofitting with adapters that drop into the same space as K series.

Advansys System Performance:

- Exclusive performance features offer less drag and higher productivity.
- New tip shapes put wear material where you need it most.

Advansys System Reliability:

- Stronger adapter noses result in up to a 50% stress reduction.
- Improved adapter nose geometry reduces sliding wear on adapter nose surfaces.
- Improved tip shapes shadow the adapter straps and welds for longer adapter life.

Advansys Installation and Removal:

- Retainer lock requires no special tools for quickest tip removal and installation.
- A half-turn of retention locks and unlocks the CapSure retention.
- Retention components come installed in tips.

Select the
right tip based
on penetration
and wear life



↑
ABRASION RESISTANCE

↓
PENETRATION



••••• Heavy Abrasion

A.R.M.
OPTION
AVAILABLE



• Heavy Penetration



••••• Heavy Duty

A.R.M.
OPTION
AVAILABLE



••• General Purpose
Loader



••••• Coal



••••• Penetration
Plus



••••• Penetration

A.R.M.
OPTION
AVAILABLE

DESIGNED FOR THE TOUGHEST JOBS

- New heavy abrasion and heavy penetration tips stay sharper through the full life of the entire tip.

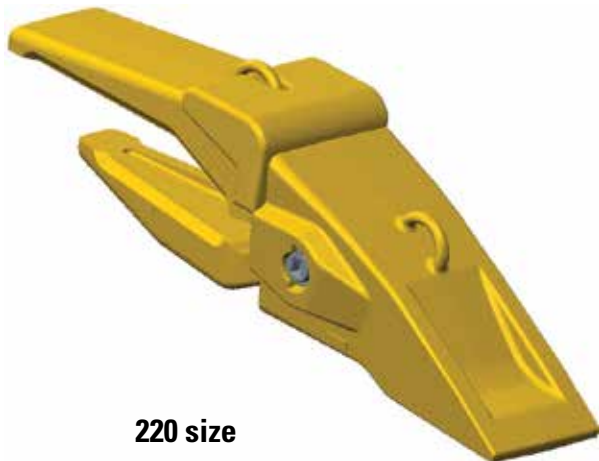


220 Heavy Abrasion Tip
72% Available Wear Material

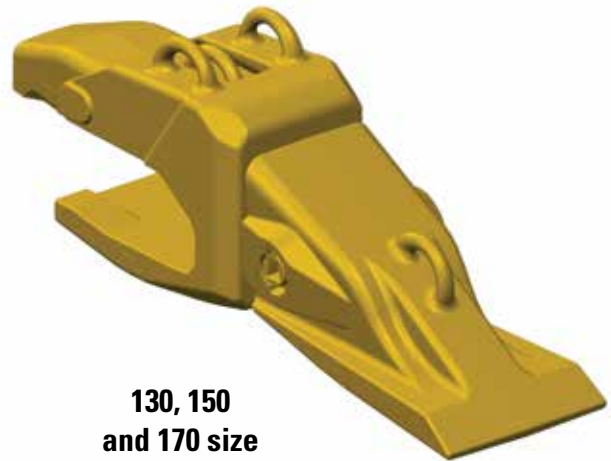


220 Heavy Penetration Tip
60% Available Wear Material

- Top covers available for double strap adapters for the 220 size and full adapter covers available for high abrasion flush mount adapter for the 130, 150, and 170 sizes.



220 size



**130, 150
and 170 size**



HERE'S WHAT OUR CUSTOMERS ARE SAYING



"It's simple, efficient, more effective. I think one of the greatest aspects of the Advansys system is that we can put the machine back to work as quickly as possible."

– **Jesse Wenzel, heavy equipment welder, Superior Ready Mix**

"The hammerless technology is a huge benefit to us. Easy – almost no downtime. One wrench, from 180 degrees pops it right off. Safety, you know, you're not hammering. You're not having to pry on anything. Advansys is a good fit"

– **Chad Varney, equipment manager, Superior Ready Mix**

"With the Advansys system, the ability to change the teeth is so much faster, easier, safer compared to the old style. And teeth have been lasting probably 25% longer than what we had before, so it saves us money. I highly recommend using this new system for the safety aspect, it's just a lot safer all around when changing teeth."

– **Jack Dekker, drilling and blasting and crushing supervisor, F&F construction**



SAFE, SIMPLE, EFFICIENT

Take your operation to the next level. The Cat Advansys system gives you improved job site safety, easier removal and installation, longer tip life and better penetration for optimum fuel efficiency. Your Cat dealer can help you choose the Advansys system that offers the right balance for your application.

BUILT FOR IT.™

PEDJ0340-01

© 2017 Caterpillar • All Rights Reserved • Printed in USA
CAT, CATERPILLAR, BUILT FOR IT, their respective logos, "Caterpillar Yellow" and the "Power Edge" trade dress, as well as corporate and product identity used herein, are trademarks of Caterpillar and may not be used without permission.

