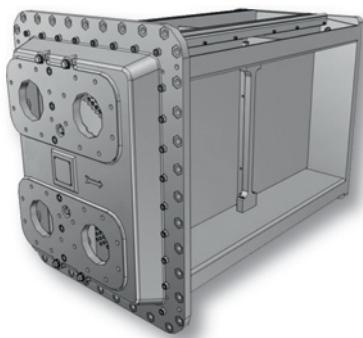


# Upgrade Solutions for Charge Air Cooler

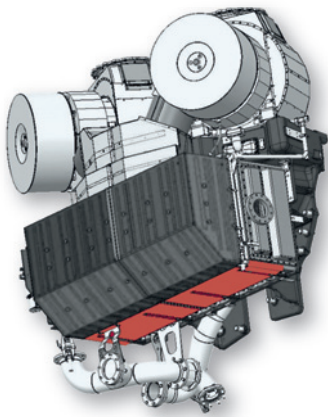
## Parts Product Solutions



### Additional Insulation

#### Benefits:

- Improved level of safety for on board equipment and personnel
- Reduced noise level
- Surface temperatures reduced below SOLAS requirement
- Significantly reduced potential risk for engine room fire



### Differential Pressure Gauge

#### Benefits:

- Simple indicator for condition and degree of contamination
- Required cleaning can be performed earlier
- Scheduled maintenance proactively performed

### Charge Air Temperature Control

#### Benefits:

- Longer service life for valve spindles, valve seat inserts, cylinder liners, pistons, and piston rings
- Reduced contamination of lubricating oil resulting in increased service life
- Improved operational safety due to reduced condensation in charge air cooler, particularly important when operating at high loads in tropical climates

These solutions are available for medium-speed engines of the Cat® and MaK™ brands.

Caterpillar Motoren GmbH & Co.KG  
Falckensteiner Str. 2  
24159 Kiel/Germany

Phone: +49 431 3995 01  
Telefax: +49 431 3995 2193

For more information please visit our website:  
[cat.com/marine](https://cat.com/marine)

Subject to change without notice.  
Leaflet No. 435 · 07.22 · e · L+S · AD  
LEBM0081-02

© 2022 Caterpillar. All Rights Reserved. CAT, CATERPILLAR, LET'S DO THE WORK, their respective logos, "Caterpillar Corporate Yellow", the "Power Edge" and Cat "Modern Hex" trade dress as well as corporate and product identity used herein, are trademarks of Caterpillar and may not be used without permission.

Contact your local dealer:  
[https://www.cat.com/en\\_US/by-industry/marine/mak-dealer-locator.html](https://www.cat.com/en_US/by-industry/marine/mak-dealer-locator.html)

Visit us on Shipped at:  
<https://www.shipserv.com/brand/mak>

Check out our MaK LinkedIn page to stay up to date:  
<https://www.linkedin.com/showcase/caterpillar-mak/>

