



# Cat<sup>®</sup> Snow Plows

SKID STEER LOADERS  
MULTI TERRAIN LOADERS  
COMPACT TRACK LOADERS  
COMPACT WHEEL LOADERS  
BACKHOE LOADERS  
SMALL WHEEL LOADERS

Cat<sup>®</sup> Snow Plows are used for snow removal contractors clearing sidewalks, parking lots, roads, runways, and other paved surfaces. Designed to follow surface contours, hydraulically angle to windrow material, and a rigid and robust frame, the Cat Snow Plows are built to outlast any winter.

## Features:

### Two cutting edges

- Fitted with up to two cutting edges, Cat Snow Plows are equipped with a trip edge system incorporated into the base. The sectioned off moldboard springs back upon contact with unseen obstacles minimizing risk of damage to the Snow Plow and machine.

### Blade float

- Blade float allows the plow the ability to pivot up to five degrees about the plow frame allowing the blade to follow surface contours and plow more efficiently. The float is easily adjustable with just four bolts on the tool frame.

### Adjustable skid shoes

- Adjustable skid shoes on Skid Steer (SSL), Compact Track (CTL) and Multi Terrain (MTL) Loader models allow for improved operator control and maintain a constant cutting edge depth. Larger models are equipped with bolt on skid plates. Both skid designs reduce the chances of gouging the plowed surface.

### Profiled moldboard

- Profiled moldboard design rolls and folds snow, maximizing material moved by the snow plow and improving productivity by minimizing snow clinging to its surface.

### Cross-over relief valves

- Integrated hydraulic cross-over relief valves provide pressure surge protection and maximize tool life. Dampening hydraulic pressure spikes, the cross-over relief valves reduce the chance of hydraulic component seal failure and downtime.

### Quick Coupler

- Available SSL Quick Coupler, IT Coupler, and Fusion<sup>™</sup> Coupler hold the work tool securely and allows the operator to quickly change from one high performance Cat Work Tool to another.

### Bolt-on step

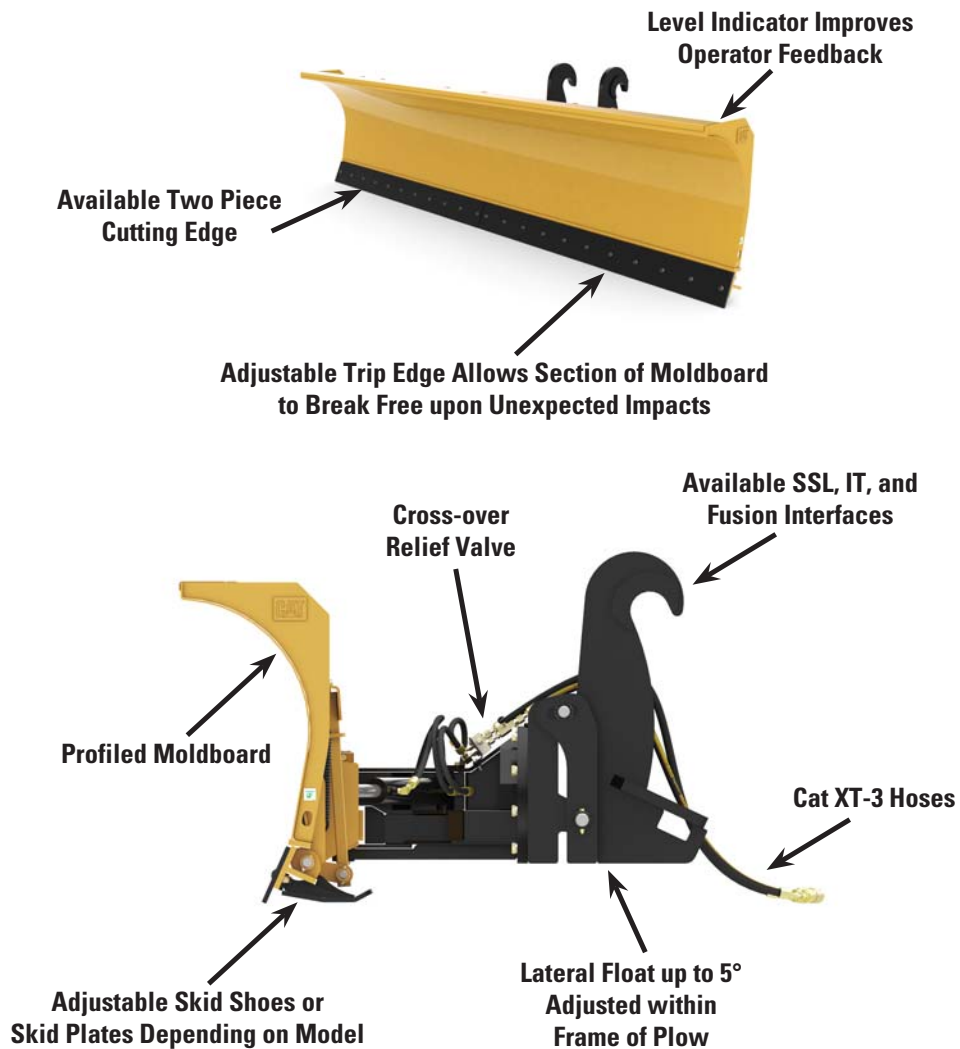
- Bolt-on step for the SSL/CTL/MTL models provides safe and ergonomic access to machine cab that is easily replaceable if damaged.

### Cat XT<sup>™</sup>-3 ES hosing

- Cat XT-3 ES hose, couplings, and O-ring face seals provide superior, leak-free performance and reliability. Hoses on SSL/CTL/MTL models are wrapped with nylon woven cordura sleeving for added operator protection. Hydraulic quick disconnects enable fast tool changes.



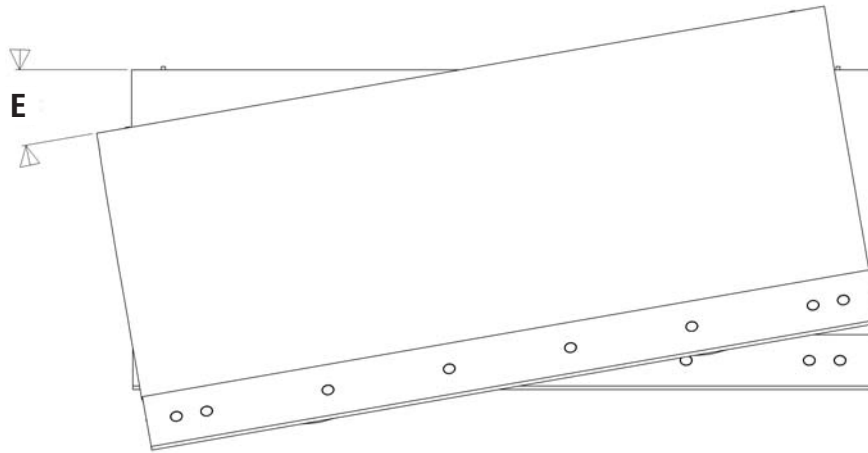
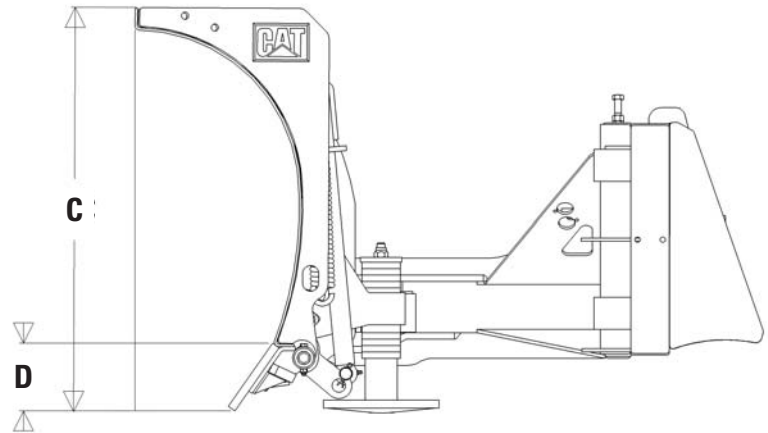
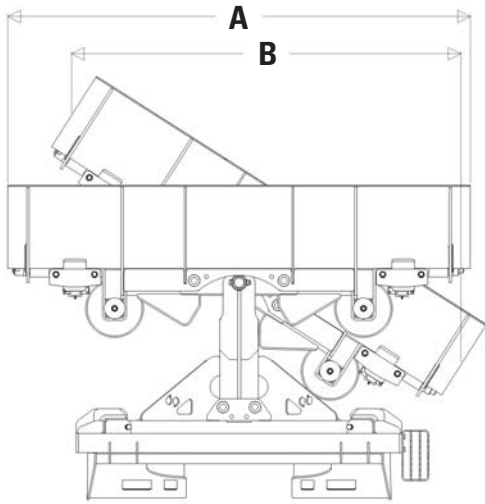
# Cat® Snow Plows



## Compatibility

Snow Plow Model	Machines
1.8 m (6 ft)	216B3, 226D, 232D, 236D, 239D, 242D, 246D, 249D, 257D, 259D, 262D, 272D2, 272D2 XHP, 277D, 279D, 287D, 289D, 297D2, 297D2 XHP, 299D2, 299D2 XHP, 903C, 906M, 907M, 908M
2.1 m (7 ft)	216B3, 226D, 232D, 236D, 239D, 242D, 246D, 249D, 257D, 259D, 262D, 272D2, 272D2 XHP, 277D, 279D, 287D, 289D, 297D2, 297D2 XHP, 299D2, 299D2 XHP, 903C, 906M, 907M, 908M
2.4 m (8 ft)	216B3, 226D, 232D, 236D, 239D, 242D, 246D, 249D, 257D, 259D, 262D, 272D2, 272D2 XHP, 277D, 279D, 287D, 289D, 297D2, 297D2 XHP, 299D2, 299D2 XHP, 903C, 906M, 907M, 908M
2.7 m (9 ft)	216B3, 226D, 232D, 236D, 239D, 242D, 246D, 249D, 257D, 259D, 262D, 272D2, 272D2 XHP, 277D, 279D, 287D, 289D, 297D2, 297D2 XHP, 299D2, 299D2 XHP, 415F2, 416F2, 420F2, 430F2, 903C, 906M, 907M, 908M, 910K, 914K
3.0 m (10 ft)	216B3, 226D, 232D, 236D, 239D, 242D, 246D, 249D, 257D, 259D, 262D, 272D2, 272D2 XHP, 277D, 279D, 287D, 289D, 297D2, 297D2 XHP, 299D2, 299D2 XHP, 415F2, 416F2, 420F2, 430F2, 903C, 906M, 907M, 908M, 910K, 914K, 926M, 930M, 938M
3.6 m (12 ft)	415F2, 416F2, 420F2, 430F2, 910K, 914K, 926M, 930M, 938M
4.2 m (14 ft)	926M, 930M, 938M

Specifications



			<b>1.8 m (6 ft)</b>	<b>2.1 m (7 ft)</b>	<b>2.4 m (8 ft)</b>	<b>2.7 m (9 ft)</b>	<b>3.0 m (10 ft)</b>
<b>A</b>	Working width	mm (in)	1829 (79)	2134 (89)	2438 (96)	2743 (108)	3048 (120)
<b>B</b>	Angled width	mm (in)	1498 (59)	1748 (69)	1997 (79)	2247 (88)	2497 (98)
<b>C</b>	Height	mm (in)	800 (31)	800 (31)	800 (31)	800 (31)	800 (31)
<b>D</b>	Trip edge height	mm (in)	152 (6)	152 (6)	152 (6)	152 (6)	152 (6)
<b>E</b>	Float	Degrees	5°	5°	5°	5°	5°
	Weight	kg (lb)	450 (992)	477 (1,052)	502 (1,107)	527 (1,162)	552 (1,218)
	Trip edge quantity		1	1	1	1	1
	Interface		SSL	SSL	SSL	SSL	SSL

# Cat® Snow Plows

## Specifications

			2.7 m (9 ft)		3.0 m (10 ft)		3.6 m (12 ft)	
<b>A</b> Working width	mm	(in)	2743	(108)	3048	(120)	3658	(144)
<b>B</b> Angled width	mm	(in)	2247	(88)	2497	(98)	2996	(118)
<b>C</b> Height	mm	(in)	800	(31)	800	(31)	800	(31)
<b>D</b> Trip edge height	mm	(in)	172	(7)	172	(7)	172	(7)
<b>E</b> Float	Degrees		5°		5°		5°	
Weight	kg	(lb)	855	(1,884)	902	(1,989)	989	(2,180)
Trip edge quantity			2		2		2	
Interface			IT		IT		IT	

			3.0 m (10 ft)		3.6 m (12 ft)		4.2 m (14 ft)	
<b>A</b> Working width	mm	(in)	3048	(120)	3658	(144)	4267	(168)
<b>B</b> Angled width	mm	(in)	2497	(98)	2996	(118)	3495	(138)
<b>C</b> Height	mm	(in)	1065	(42)	1065	(42)	1065	(42)
<b>D</b> Trip edge height	mm	(in)	172	(7)	172	(7)	172	(7)
<b>E</b> Float	Degrees		5°		5°		5°	
Weight	kg	(lb)	1389	(3,061)	1525	(3,362)	1648	(3,633)
Trip edge quantity			2		2		2	
Interface			Fusion		Fusion		Fusion	

For more complete information on Cat products, dealer services, and industry solutions, visit us on the web at [www.cat.com](http://www.cat.com)

AEHQ7750 (12-2015)

© 2015 Caterpillar  
All rights reserved

Materials and specifications are subject to change without notice. Featured machines in photos may include additional equipment. See your Cat dealer for available options.

CAT, CATERPILLAR, SAFETY.CAT.COM, their respective logos, "Caterpillar Yellow" and the "Power Edge" trade dress, as well as corporate and product identity used herein, are trademarks of Caterpillar and may not be used without permission.

