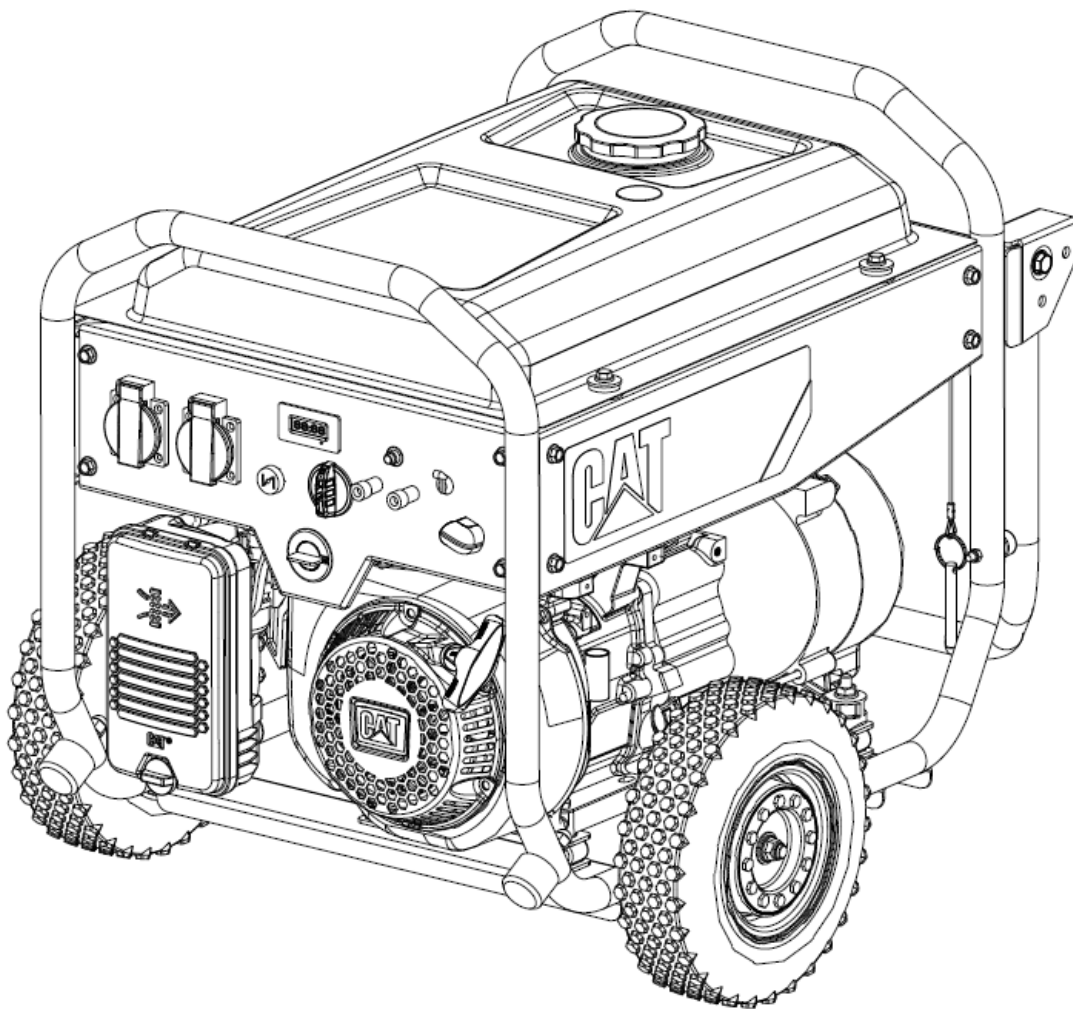
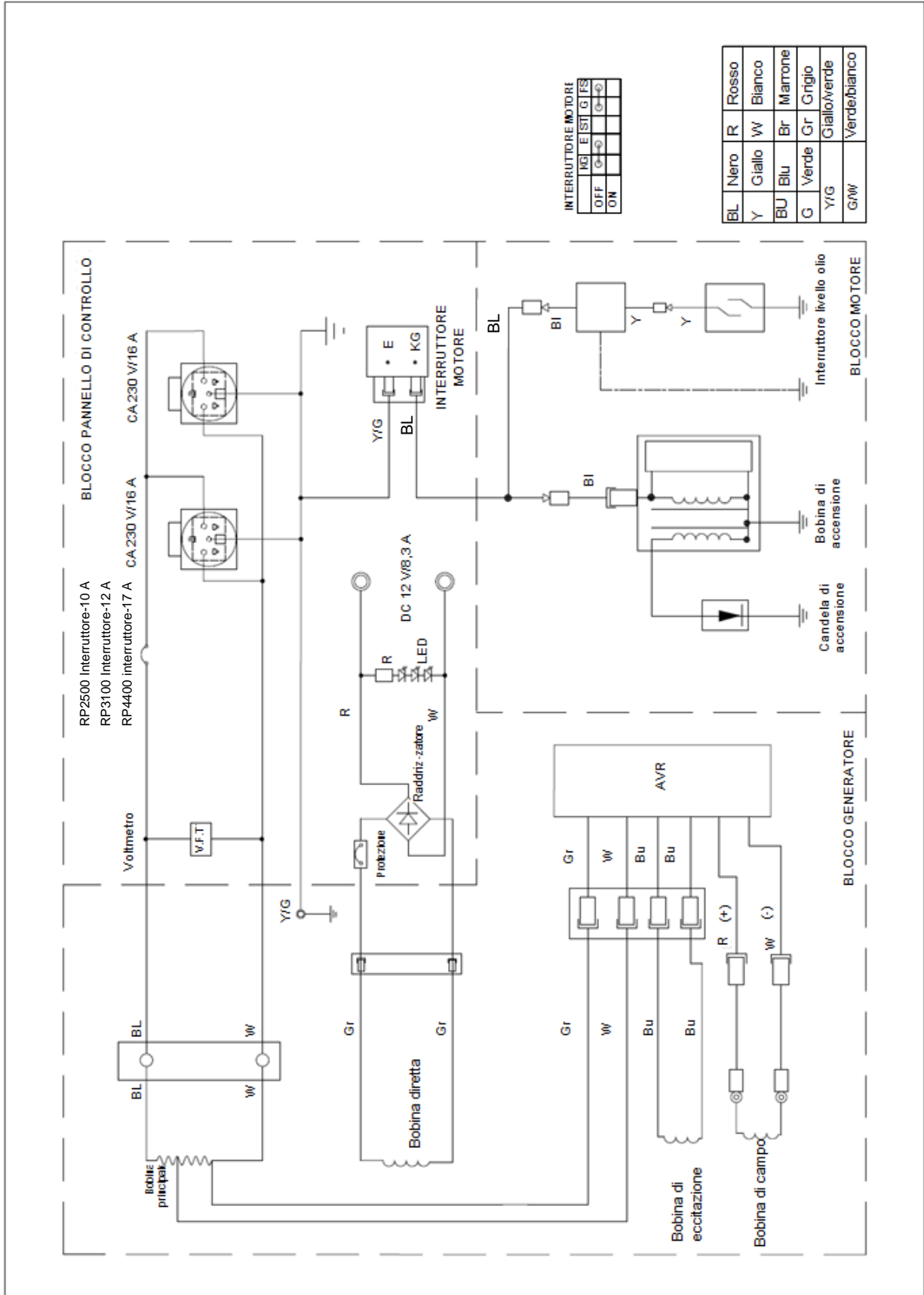


Electrical Schematic

RP2500EU, RP3100EU and RP4400EU



Schema elettrico





©2016 Caterpillar
All Rights Reserved

CAT, CATERPILLAR, their respective logos, "Caterpillar Yellow", and the POWER EDGE trade dress as well as corporate and product identity used herein, are trademarks of Caterpillar and may not be used without permission.