



# CAT<sup>®</sup> UTILITY COMPACTORS

CB14B, CB22B, CB24B, CB24B XT, CB32B,  
CB34B, CB36B, CC24B, CC34B

**BUILT FOR IT.<sup>™</sup>**





# THE BEST OF ALL WORLDS

IMPROVED PERFORMANCE, FUEL EFFICIENCY



**CB14B**  
900 mm (35")



**CB14B**  
1000 mm (39")



**CB22B**



**CB24B**



**CB24B XT**



**CB32B**



**CC24B**  
Combi

*Cat Utility Compactors are built for versatility and mobility. Multiple vibration frequencies and ballast options provide versatility on the jobsite.*

*The new line of Cat Utility Compactors delivers maneuverability and visibility for enhanced production and simple operation. The latest models also provide enhanced performance on grades, in part due to increased engine power. Improved fuel efficiency gives you the best of all worlds.*

## **EFFICIENT COMPACTION PERFORMANCE**

- Excellent drum-edge visibility due to longitudinal engine mount and narrow-frame design improves control for better coverage and compaction results
- Increased drum diameter to 720 mm (28") on many models
- Versatility through either two or three vibration frequencies, depending on model
- Ballast options increase flexibility and compaction performance
- Drum offset capability
- CC24B/CC34B are equipped with pneumatic tires that provides a tight mat finish

## **BEST-IN-CLASS WATER SPRAY SYSTEM**

- Variable spray modes optimize water usage
- Tank capacity can last up to 12 hours without refilling
- Triple filtration delivers reliable performance and simplifies service
- Self-adjusting, spring-loaded scrapers keep the drum clean, distribute water, and reduce water consumption
- Antifreeze option provides protection in cold weather
- Single drain port simplifies service requirements

## **OPTIMIZED POWER**

- Powerful Cat engines excel on grades
- Eco-mode and electronic engine control reduce fuel consumption
- Traction control option with pin-on design installs quickly
- Fast travel speeds for good mobility

## **DESIGNED FOR RENTAL**

- Easy operation with intuitive controls
- Extensive legroom to suit a variety of operators
- Fuel-efficient engine with low sound levels
- Product Link™ ready for simple remote monitoring
- Durable components maximize uptime, lower operating costs
- Traction control for easy loading capability
- Fast servicing with easily accessible components



**CB34B**



**CB36B**



**CC34B**  
Combi

# SIMPLE OPERATION

## ROOMY STATION BOOSTS PERFORMANCE

*Comfort improves productivity: It's a fact. Operators who are fresh throughout a shift get more done. Cat Utility Compactors provide the comfort your operators need in many ways, both big and small.*

### COMFORT LEADS TO HIGHER PRODUCTION

- Exceptional forward visibility due to the narrow-frame design and contoured engine hood
- Intuitive, multi-function control panel
- Easy access due to logically placed handles and lower platform height
  - Provides more legroom between seat and console
  - Footrests offer relaxed comfort
- Sliding seat, spacious platform provide comfort and control
- Propel lever provides quick reaction, precise control
- Dual propel lever option moves with operator, improves comfort and control on both sides of the machine

*12-volt power receptacles support communication devices and other jobsite work tools.*



## GREAT DISPLAY

- Easy viewing LCD display and vibrant LED lights simplify day and night operation
- Multiple language options available
- Display screen options for: engine speed, fuel level, hour meter, coolant temperature, hydraulic oil temperature, and voltage
- Display indicators for low water level in spray system, Eco-mode, drum selections, lights, water spray settings, traction control, regeneration, parking brake, and warnings
- Diagnostic capability with fault codes



## NIGHTTIME OPERATION

- Bright LCD display
- LED console lights
- Roading and working lights
  - Front lights with turn signals
  - Single rear working light with turn signals
  - Warning beacon

## FOLDABLE ROPS AND CANOPY

- Powerful lift cylinders enable one crew member to raise and lower without tools
- Fixed ROPS available
- Foldable canopy compatible with fixed or foldable ROPS



*Jobsites vary, and so do the demands placed on your compactors. Multiple frequency and ballast choices enable the compactor to perform in a variety of conditions, while features such as extra-wide drums and pneumatic tire options enhance production and precision.*

## **DELIVERING RESULTS**

- Drum width varies from 900 mm (35") on CB14B to 1400 mm (55") on CB36B
- Multiple frequency selections deliver excellent compaction results and lower sound levels
- Ballast options increase flexibility and compaction performance
- 50 mm (2") drum offset improves performance when turning

## **WORKING ON GRADES**

- Speed remains constant on grades
- Smooth propel lever control at all speeds
- Hydraulic efficiency for even performance
- Optimized traction control helps grip surface

## **COMBI ROLLERS**

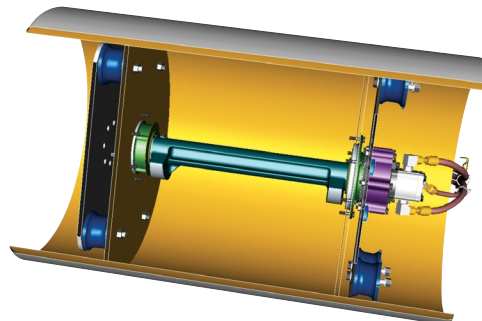
- Function as both a vibratory and pneumatic compactor
- Create high ground pressure that penetrates deep into the lift
- Leave tight, smooth surface finish
  - CC24B: Four, 9.5/65-15 smooth tires
  - CC34B: Four, 10.5/80-16.6 smooth tires
- Pressurized emulsion system with tank prevents material pick-up

## **VIBRATORY DRUM**

- Automatic deactivation when propel lever is in neutral position
- Vibration capability in front, rear or both drums
- Exclusive eccentric weight shaft delivers quick starts and stops
- Bearing service interval of 3 years or 3,000 hours



*Offset Hitch*



*Vibratory Drum*



# COMPACTION PERFORMANCE

PROVIDING PUNCH AND PRODUCTIVITY



# OPTIMIZED POWER

IMPROVED FUEL CONSUMPTION, COOLING CAPACITY



*Extended service intervals help keep the compactors working on the jobsite. Easy access to the engine and its service ports ensure an efficient maintenance process.*





*Cat engines are the power behind Cat Utility Compactors. Optimized engine power provides the push you need on any project grade.*

## **POWERFUL CAT ENGINES**

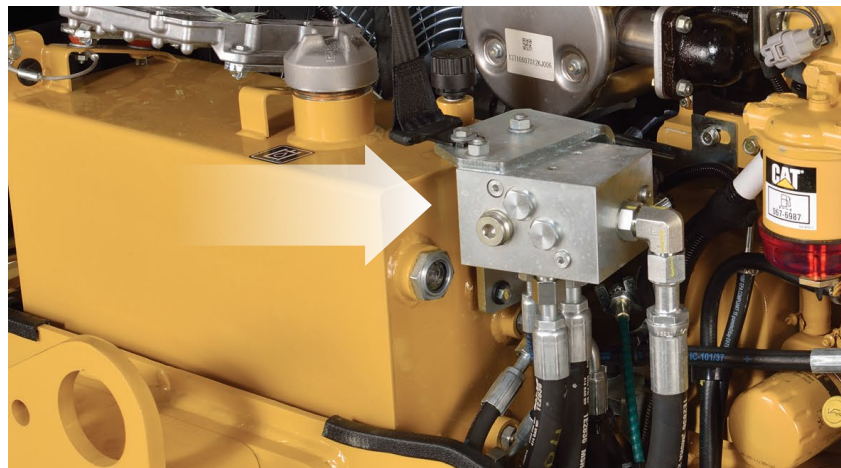
- Engine meets Brazil MAR-1 emission standards
- Increased engine power
- Electronic control module (ECM) for steady operation, efficiency
- Electric fuel-transfer pump
- Fuel tank sized for 12-14 hours runtime
- Engine speed settings enable operators to customize to the specific application and environment
- Eco-mode lowers sound levels
- Eco-mode reduces fuel consumption between 3 and 8 percent, depending on engine and model
- Fast travel speeds
- Engines on some models turbocharged for better performance at higher elevations
- Electric fuel pump with a water separator filter—no manual fuel system priming
- Engine oil ecology drain

## **HIGH AMBIENT COOLING**

- Cooling package ambient capability: 49°C (120°F) @ 80 percent load
- Hydraulically driven fan motor enables variable speeds and reduces sound levels
- Single-plane, remote-mounted cooling package (radiator and hydraulic oil cooler) with significantly improved capacity
- Hydraulic oil cooler bypass circuit

## **TRACTION CONTROL OPTION**

- Pin-on design offers quick installation
- Field retrofitting completed in an hour
- Activation switch on the left console



*Traction Control Option*



# WATER SPRAY SYSTEM

## KEEPS COMPACTORS WET AND ROLLING

*More coverage, and easier access: That summarizes the water spray system on Cat Utility Compactors. The result is less material pickup, and increased uptime for your crew.*

### SPRING-LOADED SCRAPERS

- Keep drums clean
- Distribute water evenly and reduce consumption
- Robust, retractable hinges help maintain contact with the drum and retract when roading to reduce unnecessary wear
- Located at the front and rear of each drum

### PERFORMANCE-ENHANCING FEATURES

- Protected spray bar design to fight winds
- Low-water-level indicator
- Large single water tank capacity for more hours of operation between refills
- Intermittent and continuous mode for increased operator control and improved efficiency; only use the water that's needed
- Triple filtration—in the tank, before the water pump, and in spray nozzles
- Antifreeze option
- Single point to drain and filter water
- Low-mounted tank for added stability and ground-level access

### SPRAY BARS

- Full drum coverage
- Easily adjustable nozzles
- Tucked under the frame for good wind protection
- Machine tie-downs act as side shields

*The spring-loaded scrapers articulate around hinges for easy lifting and optimal drum and tire contact.*



# SERVICEABILITY AND SUSTAINABILITY

## PRODUCE LESS WASTE—AND WASTE LESS TIME

*Service time-savers are built into Cat Utility Compactors. Easy access to service points reduce technician time, while extended intervals mean a reduction in the materials, machine downtime and overall costs. The intervals and other sustainability efforts help lessen the compactors' environmental impact.*

### CONVENIENT SERVICE POINTS

- Easily accessed engine oil, hydraulic fluid and coolant remote drains
- Color-coded and numbered wiring facilitates diagnostics
- Nylon-braided wrap provides protection to electrical and hydraulic components
- All-weather electrical connectors help ensure reliability
- Easy access to water spray system

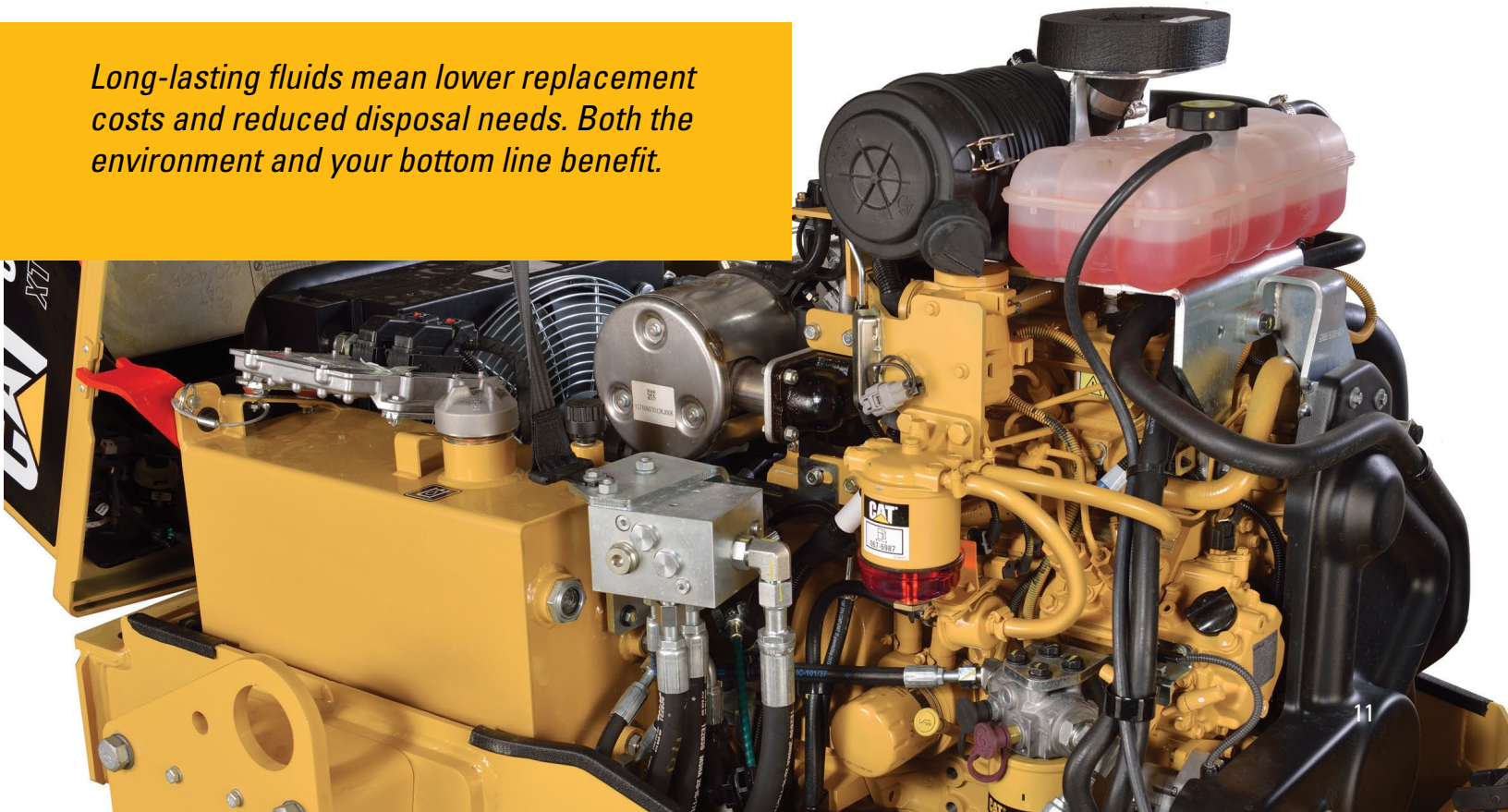
### SUSTAINABILITY BENEFITS

- Eco-mode reduces fuel consumption and carbon dioxide emissions
- Water needs lessened with efficient spray system
- Reduced engine emissions
- Highly efficient hydraulic and electrical systems create efficiencies
- Many serviceable parts

### EXTENDED SERVICE INTERVALS

- 3 years/3,000 hours for vibratory drum maintenance
- 500 hours for engine oil change
- Grease points for every 250 hours

*Long-lasting fluids mean lower replacement costs and reduced disposal needs. Both the environment and your bottom line benefit.*



# DESIGNED FOR RENTAL

## THE PERFECT MACHINE FOR THE JOB

*Sometimes contractors find themselves at work in a unique application, and need to look beyond their existing fleets for a machine that perfectly fits their needs. Other times they want to test equipment before making a purchase decision. Whatever the reason, Cat Utility Compactors are available for rental to help you finish the job and keep your costs in line.*

### COMFORT AND EFFICIENCY

- Easy operation with intuitive controls
- Extensive legroom to suit a variety of operators
- Durable components maximize uptime and lower operating costs
- Fuel-efficient engine reduces costs
- Low sound levels enhance environment
- ProductLink™ available for simple remote monitoring

### 5 GREAT REASONS TO RENT

1. Supplement your fleet
2. Use the latest technology
3. No maintenance costs
4. No capital investment
5. Try it before you buy it

*Ballast options enable you to adjust quickly and deliver the perfect performance to the jobsite.*



# SPECIFICATIONS

|  | CB14B (900 mm) | CB14B (1000 mm) | CB22B         |
|--|----------------|-----------------|---------------|
| <b>Dimensions</b>  |                |                 |               |
| Overall length – mm (in)                                 | 1950 (77)      | 1950 (77)       | 2575 (101)    |
| Overall width – mm (in)                                  | 1000 (39)      | 1102 (43)       | 1112 (44)     |
| Drum width – mm (in)                                     | 900 (35)       | 1000 (39)       | 1000 (39)     |
| Drum offset – mm (in)                                    | NA             | NA              | 50 (2)        |
| Drum shell thickness – mm (in)                           | 14 (0.54)      | 14 (0.54)       | 14 (0.55)     |
| Drum diameter – mm (in)                                  | 560 (22)       | 560 (22)        | 720 (28)      |
| Overall height at ROPS/FOPS with canopy – mm (in)        | 2545 (100)     | 2545 (100)      | 2700 (106)    |
| Transport height – mm (in)                               | 1975 (78)      | 1975 (78)       | 1800 (71)     |
| Wheelbase – mm (in)                                      | –              | –               | 1800 (71)     |
| Curb clearance – mm (in)                                 | 400 (16)       | 400 (16)        | 500 (20)      |
| Ground clearance – mm (in)                               | 220 (9)        | 220 (9)         | 285 (11)      |
| <b>Engine</b>  |                |                 |               |
| Model  | Kohler KDW1003 | Kohler KDW1003  | Cat C1.5      |
| Maximum gross power – kW (hp)                            | 16.8 (22.5)    | 16.8 (22.5)     | 24.4 (32.7)*  |
| Number of cylinders                                      | 3              | 3               | 3             |
| Rated speed – rpm  | 2850           | 2850            | 2800          |
| Bore – mm (in)   | 75.3 (3)       | 75.3 (3)        | 84 (3.3)      |
| Stroke – mm (in)   | 77.6 (3.1)     | 77.6 (3.1)      | 90 (3.5)      |
| <b>Operating Weights</b>                                 |                |                 |               |
| Standard machine w/ROPS/FOPS – kg (lb)                   | 1485 (3274)    | 1520 (3351)     | 2553 (5629)   |
| Weight at front drum – kg (lb)                           | 694 (1529)     | 711 (1565)      | 1211 (2669)   |
| Weight at rear drum – kg (lb)                            | 792 (1745)     | 812 (1786)      | 1342 (2960)   |
| Shipping weight – kg (lb)                                | 1356 (2990)    | 1391 (3067)     | 2360 (5203)   |
| Maximum machine – kg (lb)                                | 1544 (3404)    | 1579 (3481)     | 2731 (6020)   |
| Static linear load – kg/cm (lb/in)                       | 8.2 (46)       | 7.6 (43)        | 12.8 (72)     |
| <b>Vibratory System</b>                                  |                |                 |               |
| Amplitude – mm (in)                                      | 0.46 (0.018)   | 0.46 (0.018)    | 0.525 (0.021) |
| Frequency – Hz (vpm) - <i>controlled by engine speed</i> |                |                 |               |
| - High   | 70 (4200)      | 65 (3900)       | 63 (3780)     |
| - Middle   | NA             | NA              | 52 (3120)     |
| - Low  | NA             | NA              | 42 (2520)     |
| Centrifugal – High kN (lbf)                              | 15 (3400)      | 15 (3400)       | 28.8 (6475)   |
| - Middle – kN (lbf)                                      | NA             | NA              | 19.6 (4406)   |
| - Low – kN (lbf)   | NA             | NA              | 12.8 (2878)   |
| <b>Miscellaneous</b>                                     |                |                 |               |
| Steering (inside drum edge) – mm (in)                    | 2020 (80)      | 1972 (78)       | 2670 (105)    |
| (outside drum edge) – mm (in)                            | 2900 (115)     | 3000 (118)      | 3470 (137)    |
| Maximum offset – mm (in)                                 | NA             | NA              | 50 (2)        |
| Articulation angle                                       | 34°            | 34°             | 32°           |
| Oscillation angle  | 15°            | 15°             | 10°           |
| <b>Capacities</b>  |                |                 |               |
| Fuel tank – L (gal)                                      | 23 (6)         | 23 (6)          | 63.5 (17)     |
| Water tank – L (gal)                                     | 100 (26)       | 100 (26)        | 235 (62)      |
| Emulsion tank – L (gal)                                  | NA             | NA              | NA            |

\* Meets Brazil MAR-1 emissions standards

# SPECIFICATIONS

|  | CB24B         | CB24B XT      | CB32B         | CB32B<br>w/ Ballast |
|--|---------------|---------------|---------------|---------------------|
| <b>Dimensions</b>  |               |               |               |                     |
| Overall length – mm (in)                                 | 2575 (101)    | 2575 (101)    | 2575 (101)    | 2575 (101)          |
| Overall width – mm (in)                                  | 1312 (52)     | 1312 (52)     | 1412 (56)     | 1412 (56)           |
| Drum width – mm (in)                                     | 1200 (47)     | 1200 (47)     | 1300 (51)     | 1300 (51)           |
| Drum offset – mm (in)                                    | 50 (2)        | 50 (2)        | 50 (2)        | 50 (2)              |
| Drum shell thickness – mm (in)                           | 14 (0.55)     | 14 (0.55)     | 14 (0.55)     | 14 (0.55)           |
| Drum diameter – mm (in)                                  | 720 (28)      | 720 (28)      | 720 (28)      | 720 (28)            |
| Overall height at ROPS/FOPS with canopy – mm (in)        | 2700 (106)    | 2700 (106)    | 2700 (106)    | 2700 (106)          |
| Transport Height – mm (in)                               | 1800 (71)     | 1800 (71)     | 1800 (71)     | 1800 (71)           |
| Wheelbase – mm (in)                                      | 1800 (71)     | 1800 (71)     | 1800 (71)     | 1800 (71)           |
| Curb clearance – mm (in)                                 | 500 (20)      | 500 (20)      | 500 (20)      | 500 (20)            |
| Ground clearance – mm (in)                               | 285 (11)      | 285 (11)      | 285 (11)      | 285 (11)            |
| <b>Engine</b>  |               |               |               |                     |
| Model  | Cat C1.5      | Cat C1.5      | Cat C1.5      | Cat C1.5            |
| Maximum gross power – kW (hp)*                           | 24.4 (32.7)*  | 24.4 (32.7)*  | 24.4 (32.7)*  | 24.4 (32.7)*        |
| Number of cylinders                                      | 3             | 3             | 3             | 3                   |
| Rated speed – rpm  | 2800          | 2800          | 2800          | 2800                |
| Bore – mm (in)   | 84 (3.3)      | 84 (3.3)      | 84 (3.3)      | 84 (3.3)            |
| Stroke – mm (in)   | 90 (3.5)      | 90 (3.5)      | 90 (3.5)      | 90 (3.5)            |
| <b>Operating Weights</b>                                 |               |               |               |                     |
| Standard machine w/ ROPS/FOPS – kg (lb)                  | 2723 (6003)   | 3123 (6885)   | 2808 (6190)   | 3208 (7071)         |
| Weight at front drum – kg (lb)                           | 1296 (2857)   | 1496 (3298)   | 1338 (2950)   | 1538 (3391)         |
| Weight at rear drum – kg (lb)                            | 1427 (3147)   | 1627 (3588)   | 1470 (3239)   | 1670 (3681)         |
| Shipping Weight – kg (lb)                                | 2530 (5578)   | 2930 (6460)   | 2615 (5764)   | 3015 (6646)         |
| Maximum machine – kg (lb)                                | 2901 (6395)   | 3301 (7276)   | 2985 (6581)   | 3385 (7462)         |
| Static linear load – kg/cm (lb/in)                       | 11.3 (63)     | 13 (73)       | 10.8 (61)     | 12.3 (69)           |
| <b>Vibratory System</b>                                  |               |               |               |                     |
| Amplitude – mm (in)                                      | 0.525 (0.021) | 0.525 (0.021) | 0.525 (0.021) | 0.525 (0.021)       |
| Frequency – Hz (vpm) - <i>controlled by engine speed</i> |               |               |               |                     |
| - High   | 63 (3,780)    | 63 (3,780)    | 63 (3,780)    | 63 (3,780)          |
| - Middle   | 52 (3,120)    | 52 (3,120)    | 52 (3,120)    | 52 (3,120)          |
| - Low  | 42 (2,520)    | 42 (2,520)    | 42 (2,520)    | 42 (2,520)          |
| Centrifugal – High kN (lbf)                              | 32.8 (7374)   | 32.8 (7374)   | 34.8 (7823)   | 34.8 (7823)         |
| - Middle – kN (lbf)                                      | 22.3 (5013)   | 22.3 (5013)   | 23.7 (5328)   | 23.7 (5328)         |
| - Low – kN (lbf)   | 14.6 (3282)   | 14.6 (3282)   | 15.5 (3485)   | 15.5 (3485)         |
| <b>Miscellaneous</b>                                     |               |               |               |                     |
| Steering (inside drum edge) – mm (in)                    | 2470 (97)     | 2470 (97)     | 2370 (93)     | 2370 (93)           |
| - (outside drum edge) – mm (in)                          | 3670 (144)    | 3670 (144)    | 3770 (148)    | 3770 (148)          |
| Maximum offset – mm (in)                                 | 50 (2)        | 50 (2)        | 50 (2)        | 50 (2)              |
| Articulation angle                                       | 32°           | 32°           | 32°           | 32°                 |
| Oscillation angle  | 10°           | 10°           | 10°           | 10°                 |
| <b>Fuel Tank</b>   |               |               |               |                     |
| Fuel tank – L (gal)                                      | 63.5 (16.8)   | 63.5 (16.8)   | 63.5 (16.8)   | 63.5 (16.8)         |
| Water tank – L (gal)                                     | 235 (62)      | 235 (62)      | 235 (62)      | 235 (62)            |
| Emulsion tank – L (gal)                                  | NA            | NA            | NA            | NA                  |

\* Meets Brazil MAR-1 emission standards

| <b>CB34B</b> | <b>CB34B<br/>w/ Ballast</b> | <b>CB36B</b> | <b>CB36B<br/>w/ Ballast</b> | <b>CC24B</b>  | <b>CC34B</b>  |
|--------------|-----------------------------|--------------|-----------------------------|---------------|---------------|
| 2859 (113)   | 2859 (113)                  | 2859 (113)   | 2859 (113)                  | 2575 (101)    | 2859 (113)    |
| 1400 (55)    | 1400 (55)                   | 1500 (59)    | 1500 (59)                   | 1312 (52)     | 1400 (55)     |
| 1300 (51)    | 1300 (51)                   | 1400 (55)    | 1400 (55)                   | 1200 (47)     | 1300 (51)     |
| 50 (2)       | 50 (2)                      | 50 (2)       | 50 (2)                      | 50 (2)        | 50 (2)        |
| 16 (0.63)    | 16 (0.63)                   | 16 (0.63)    | 16 (0.63)                   | 14 (0.55)     | 16 (0.63)     |
| 800 (32)     | 800 (32)                    | 800 (32)     | 800 (32)                    | 720 (28)      | 800 (32)      |
| 2765 (109)   | 2765 (109)                  | 2765 (109)   | 2765 (109)                  | 2700 (106)    | 2765 (109)    |
| 1930 (76)    | 1930 (76)                   | 1930 (76)    | 1930 (76)                   | 1800 (71)     | 1930 (76)     |
| 2050 (81)    | 2050 (81)                   | 2050 (81)    | 2050 (81)                   | 1800 (71)     | 2050 (81)     |
| 520 (20)     | 520 (20)                    | 520 (20)     | 520 (20)                    | 500 (20)      | 520 (20)      |
| 284 (11)     | 284 (11)                    | 284 (11)     | 284 (11)                    | 285 (11)      | 284 (11)      |
| Cat C.2.2    | Cat C.2.2                   | Cat C.2.2    | Cat C.2.2                   | Cat C1.5      | Cat C.2.2     |
| 36.6 (49.1)* | 36.6 (49.1)*                | 36.6 (49.1)* | 36.6 (49.1)*                | 24.4 (32.7)*  | 36.6 (49.1)*  |
| 4            | 4                           | 4            | 4                           | 3             | 4             |
| 2800         | 2800                        | 2800         | 2800                        | 2800          | 2800          |
| 84 (3.3)     | 84 (3.3)                    | 84 (3.3)     | 84 (3.3)                    | 84 (3.3)      | 84 (3.3)      |
| 100 (3.9)    | 100 (3.9)                   | 90 (3.5)     | 90 (3.5)                    | 90 (3.5)      | 100 mm 3.9 in |
| 3699 (8155)  | 4099 (9036)                 | 3803 (8385)  | 4400 (9700)                 | 2441 (5380)   | 3378 (7446)   |
| 1803 (3974)  | 2003 (4415)                 | 1855 (4089)  | 2155 (4751)                 | 1296 (2857)   | 1803 (3974)   |
| 1896 (4180)  | 2096 (4621)                 | 1948 (4296)  | 2245 (4949)                 | 1145 (2524)   | 1575 (3472)   |
| 3466 (7641)  | 3866 (8523)                 | 3570 (7871)  | 3970 (8753)                 | 2248 (4955)   | 3145 (6932)   |
| 3913 (8626)  | 4313 (9508)                 | 4017 (8856)  | 4590 (10,119)               | 2618 (5772)   | 3592 (7918)   |
| 13.2 (80)    | 14.6 (88)                   | 13.6 (76)    | 15.7 (95)                   | 10.2 (57)     | 12.0 (73)     |
| 0.5 (0.020)  | 0.5 (0.020)                 | 0.5 (0.020)  | 0.5 (0.020)                 | 0.525 (0.021) | 0.5 (0.020)   |
| 55 (3,300)   | 55 (3,300)                  | 55 (3,300)   | 55 (3,300)                  | 63 (3,780)    | 55 (3,300)    |
| N/A          | N/A                         | N/A          | N/A                         | 52 (3,120)    | N/A           |
| 48 (2,880)   | 48 (2,880)                  | 48 (2,880)   | 48 (2,880)                  | 42 (2,520)    | 48 (2,880)    |
| 31.6 (7104)  | 31.6 (7104)                 | 33.5 (7531)  | 33.5 (7531)                 | 32.8 (7378)   | 31.6 (7104)   |
| N/A          | N/A                         | N/A          | N/A                         | 22.3 (5013)   | NA            |
| 24.1 (5418)  | 24.1 (5418)                 | 25.5 (5733)  | 25.5 (5733)                 | 14.6 (3282)   | 24.1 (5418)   |
| 2932 (115)   | 2932 (115)                  | 2897 (114)   | 2897 (114)                  | 2475 (97)     | 2937 (116)    |
| 4232 (167)   | 4232 (167)                  | 4297 (169)   | 4297 (169)                  | 3675 (145)    | 4237 (167)    |
| 50 (2)       | 50 (2)                      | 50 (2)       | 50 (2)                      | 50 (2)        | 50 (2)        |
| 32°          | 32°                         | 32°          | 32°                         | 32°           | 32°           |
| 10°          | 10°                         | 10°          | 10°                         | 10°           | 10°           |
| 90.7 (24)    | 90.7 (24)                   | 90.7 (24)    | 90.7 (24)                   | 63.5 (16.8)   | 90.7 (24)     |
| 308 (82)     | 308 (81)                    | 308 (81)     | 308 (81)                    | 195 (52)      | 241 (64)      |
| NA           | NA                          | NA           | NA                          | 26 (7)        | 34 (9)        |

# Cat Utility Compactors



For more complete information on Cat products, dealer services, and industry solutions, visit us on the web at [www.cat.com](http://www.cat.com)

QEDQ2277 (11/16)

© 2016 Caterpillar  
All Rights Reserved

Materials and specifications are subject to change without notice.  
Featured machines in photos may include additional equipment.  
See your Cat Dealer for available options.

CAT, CATERPILLAR, BUILT FOR IT, their respective logos, and "Caterpillar Yellow," and the POWER EDGE trade dress, as well as corporate and product identity used herein, are trademarks of Caterpillar and may not be used without permission.

