



Cat[®] C Series Mulchers

SKID STEER LOADERS
COMPACT TRACK LOADERS

Cat[®] Mulchers are designed for high-performance cutting, and mulching vegetation and undergrowth from typical wooded terrain. The hydraulic mulcher reduces saplings, shrubs and trees into mulched material, making it ideal for environmental maintenance, such as creating fire lanes. Other applications include: reclaiming untilled land, removing foliage from building construction sites, and shredding pruned material and organic waste for biomass production.

Features:

Rugged mulching head

- Rugged mulching head processes trees up to 200 mm (8 in) diameter for effective land clearing applications.

Multiple drum styles

- Bite limiter – Limits the amount of material being processed at once to reduce stalls and recovery time.
- Standard drum – Utilizes maximum cut depth available to process material.

Dual speed, axial piston hydraulic motor

- Dual speed, axial piston motor provides smooth, efficient performance while delivering optimal torque under changing material loads. On bite limiter models, the drum speed has increased by 25% to produce finer material and reduce stalls.

Adjustable pin-style push frame

- Standard adjustable push frame allows for control of trees for optimal cutting and efficiency. The pin-style segments provide the opportunity to control which section of teeth are cutting, improving tooth life.

Color-coded pressure gauge

- Color-coded pressure gauge is standard equipment and provides operator feedback in order to maximize productivity. With green, yellow, and red regions, the operator has indication of the load being applied to the mulcher and if adjustments can be made to maximize productivity in changing material loads.

Hydraulically operated front hood

- Hydraulically operated front hood is standard (standard drum mulchers only) and the linkage is enclosed in the frame of the mulcher on High Flow models. The quick to open and close door allows for finer finished material to be produced from cutting all types of vegetation.

Cat Bite Limiter Mulchers feature bite limiting plates, which restrict the mulcher teeth cut-depth to control the rate of material processing. This restriction significantly reduces stalling and recovery time, and allows Bite Limiter Mulchers to increase productivity for both new and experienced operators.

Cat XT[™]-3 ES hose, couplings and O-ring face seals

- Cat XT-3 ES hose, couplings and O-ring face seals provide superior leak-free performance and reliability. All hoses are wrapped with nylon woven cordura sleeving for added operator protection. Hydraulic quick disconnects enable fast tool changes.

Dual inboard counter knives

- Serrated strips continue to cut mulched material when circulating through drum producing finer mulch with fewer passes.

Lockable service panel

- Hinged and lockable service panel allows easy access to hoses and tool OMM. Lockable with your Cat key, the service panel allows easy access to drive train components during service and inspection.

Adjustable and replaceable skid shoes

- Allows operator to control ground height to accommodate different types of terrain.

Serrated steps

- Serrated steps allow for safe and easy access in and out of the cab.

Rear chain guard protection

- Rear chain guard protection reduces spread of material.



Cat® C Series Mulchers

Compatibility

| Model | Machines |
|----------------------|--|
| HM112C | 226D3, 232D3, 239D3, 249D3 |
| HM115C | 236D3, 242D3, 246D3, 257D3, 259D3, 262D3, 272D3, 272D3 XE, 279D3, 289D3, 299D3, 299D3 XE |
| HM215C* | 226D3, 232D3, 236D3, 239D3, 242D3, 249D3, 257D3, 259D3 |
| HM315C^ | 246D3, 262D3, 272D3, 272D3 XE, 279D3, 289D3, 299D3, 299D3 XE |
| HM415C | 272D3 XE, 299D3 XE |
| HM418C | 272D3 XE, 299D3 XE |
| HM315C Bite Limiter^ | 246D3, 262D3, 272D3, 272D3 XE, 279D3, 289D3, 299D3, 299D3 XE |
| HM415C Bite Limiter | 272D3 XE, 299D3 XE |
| HM418C Bite Limiter | 272D3 XE, 299D3 XE |

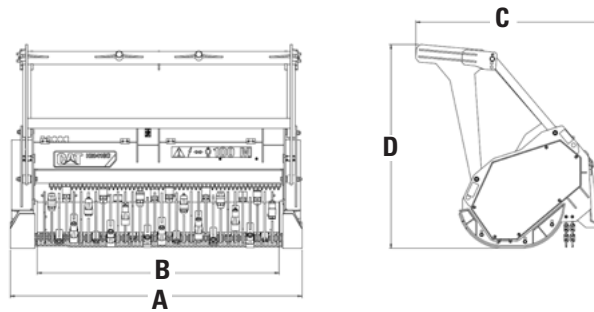
* Requires machine to have HF option.

^ Requires machine to be equipped with HF XPS option.

Debris Barrier package recommended.

Current production machines listed. Machine model availability and attachment vary by region. Contact your local Cat dealer for exact compatibility and availability.

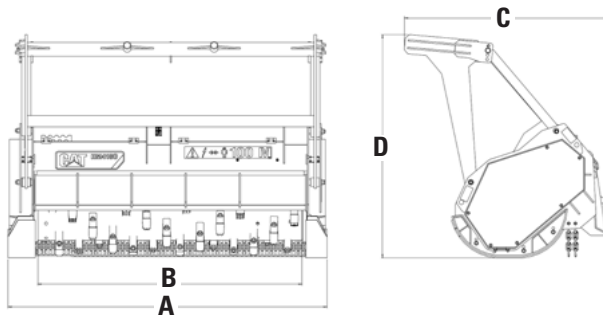
Specifications



Standard Bite Limiter

| | | | HM315C Bite Limiter | | HM415C Bite Limiter | | HM418C Bite Limiter | |
|----------------------------|-------------|--|-------------------------|-------------|------------------------|-------------|------------------------|-------------|
| A Overall width | mm (in) | | 1882 | (74) | 1882 | (74) | 2122 | (84) |
| B Working width | mm (in) | | 1582 | (62) | 1582 | (62) | 1822 | (72) |
| C Length | mm (in) | | 1354 | (53) | 1354 | (53) | 1354 | (53) |
| D Overall height | mm (in) | | 1480 | (58) | 1480 | (58) | 1480 | (58) |
| Weight | kg (lb) | | 1385 | (3053) | 1370 | (3020) | 1504 | (3316) |
| Drive method | | | Polychain belt | | | | | |
| Motor | | | Axial piston dual speed | | | | | |
| Drum Style | | | Bite Limiter | | | | | |
| Hydraulic Door | | | Not Available | | | | | |
| Optimal hydraulic flow | L/min (gpm) | | 120-125 | (31-33) | 150-155 | (40-41) | 150-155 | (40-41) |
| Optimal hydraulic pressure | bar (psi) | | 200-278 | (2900-4061) | 200-278 | (2900-4061) | 200-278 | (2900-4061) |
| Drum speed | rpm | | 2576-2683 | | 2673-2762 | | 2673-2762 | |
| Fixed teeth per drum | | | 26 | | 26 | | 32 | |
| Maximum cutting diameter | mm (in) | | 200 | (8) | 200 | (8) | 200 | (8) |
| Cutting depth | mm (in) | | 26 | (1) | 26 | (1) | 26 | (1) |

Specifications

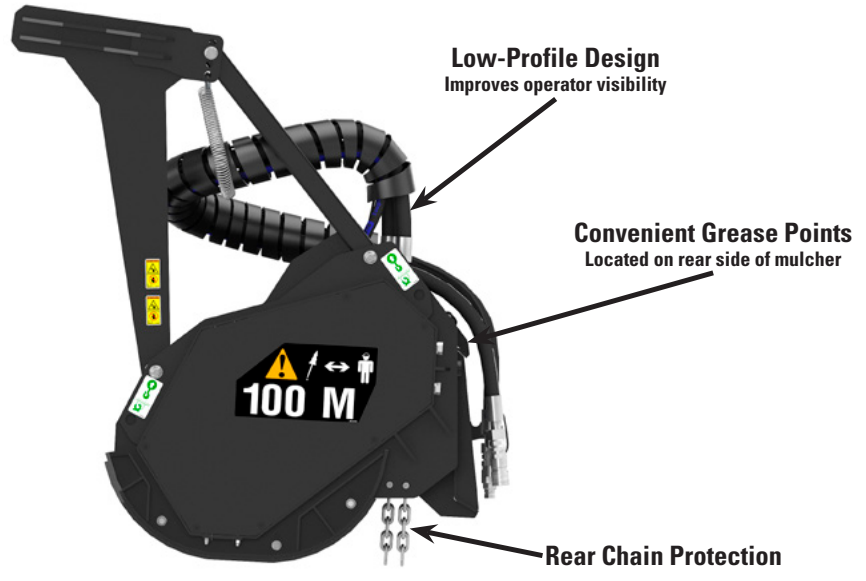
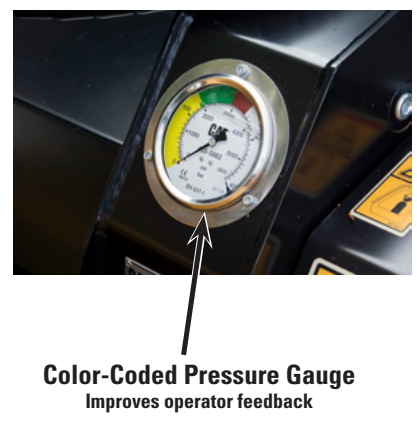
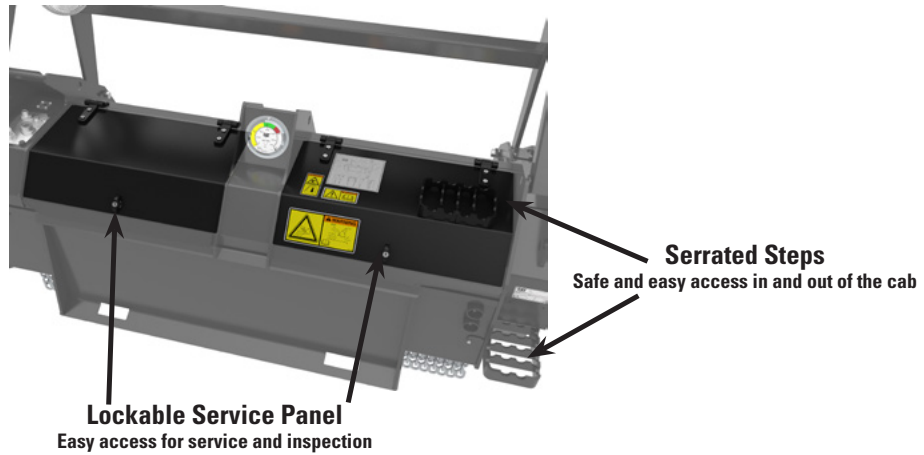
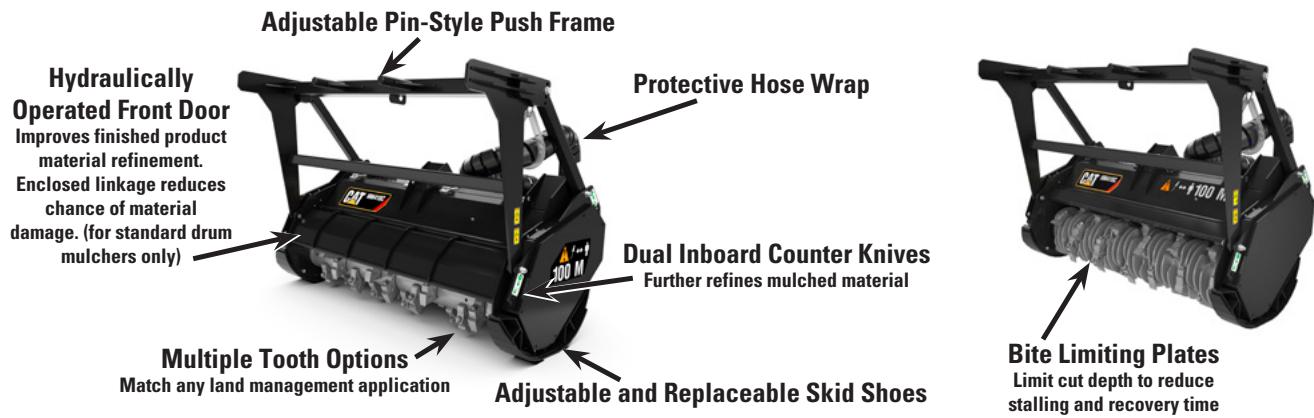


Standard Drum Mulcher

| | | | HM112C | | HM115C | | HM215C | |
|----------------------------|-------------|--|-------------------------|-------------|-------------------------|-------------|-------------------------|-------------|
| A Overall width | mm (in) | | 1518 | (60) | 1758 | (69) | 1758 | (69) |
| B Working width | mm (in) | | 1240 | (49) | 1480 | (58) | 1480 | (58) |
| C Length | mm (in) | | 1219 | (48) | 1219 | (48) | 1219 | (48) |
| D Overall height | mm (in) | | 1281 | (50) | 1281 | (50) | 1281 | (50) |
| Weight | kg (lb) | | 763 | (1,682) | 818 | (1,803) | 818 | (1,803) |
| Drive method | | | V-Belt | | V-Belt | | V-Belt | |
| Motor | | | Axial piston dual speed | | Axial piston dual speed | | Axial piston dual speed | |
| Drum Style | | | Standard | | Standard | | Standard | |
| Hydraulic Door | | | Standard | | Standard | | Standard | |
| Optimal hydraulic flow | L/min (gpm) | | 60-69 | (16-18) | 76-87 | (20-23) | 96-117 | (25-31) |
| Optimal hydraulic pressure | bar (psi) | | 200-230 | (2900-3336) | 200-230 | (2900-3336) | 200-230 | (2900-3336) |
| Drum speed | rpm | | 2,670-3,070 | | 2,570-2,940 | | 2,480-3,020 | |
| Fixed teeth per drum | | | 30 | | 36 | | 36 | |
| Maximum cutting diameter | mm (in) | | 200 | (8) | 200 | (8) | 200 | (8) |
| Cutting depth | mm (in) | | 70 | (3) | 70 | (3) | 70 | (3) |

| | | | HM315C | | HM415C | | HM418C | |
|----------------------------|-------------|--|-------------------------|-------------|-------------------------|-------------|-------------------------|-------------|
| A Overall width | mm (in) | | 1882 | (74) | 1882 | (74) | 2122 | (84) |
| B Working width | mm (in) | | 1582 | (62) | 1488 | (59) | 1707 | (67) |
| C Length | mm (in) | | 1355 | (53) | 1355 | (53) | 1355 | (53) |
| D Overall height | mm (in) | | 1481 | (58) | 1481 | (58) | 1481 | (58) |
| Weight | kg (lb) | | 1342 | (2,959) | 1343 | (2,961) | 1450 | (3,197) |
| Drive method | | | Polychain belt | | Polychain belt | | Polychain belt | |
| Motor | | | Axial piston dual speed | | Axial piston dual speed | | Axial piston dual speed | |
| Drum Style | | | Standard | | Standard | | Standard | |
| Hydraulic Door | | | Standard | | Standard | | Standard | |
| Optimal hydraulic flow | L/min (gpm) | | 120-125 | (31-33) | 135-155 | (36-41) | 150-155 | (40-41) |
| Optimal hydraulic pressure | bar (psi) | | 200-280 | (2900-4061) | 200-350 | (2900-5077) | 200-280 | (2900-4061) |
| Drum speed | rpm | | 2100-2400 | | 1900-2200 | | 2,140-2,210 | |
| Fixed teeth per drum | | | 34 | | 34 | | 38 | |
| Maximum cutting diameter | mm (in) | | 200 | (8) | 200 | (8) | 200 | (8) |
| Cutting depth | mm (in) | | 105 | (4) | 105 | (4) | 105 | (4) |

Cat® C Series Mulchers



For more complete information on Cat products, dealer services, and industry solutions, visit us on the web at www.cat.com

AEHQ7688-01 (06-2020)
Replaces AEHQ7688
(Global)

© 2020 Caterpillar
All rights reserved

Materials and specifications are subject to change without notice. Featured machines in photos may include additional equipment. See your Cat dealer for available options.

CAT, CATERPILLAR, LET'S DO THE WORK, their respective logos, "Caterpillar Corporate Yellow," the "Power Edge" and Cat "Modern Hex" trade dress as well as corporate and product identity used herein, are trademarks of Caterpillar and may not be used without permission.

