



FB30-2

Prime rating

- Meets latest India CPCBII as per G.S.R 771(E) dated 11/12/2013 and its further amendments.
- Meets CPCB / MOEF norms as per G.S.R 371(T) dated 17/05/2002 and its further amendments.



Genset Technical Data

| | |
|--------------------------------|-------------------|
| Genset Rating (kVA) | 30 |
| No of Phases | 3 |
| Power Factor | 0.8 |
| Voltage (V) | 415 |
| Frequency (Hz) | 50 |
| Current (A) | 41.7 |
| Controller Type | Manual |
| Starting System | 12V D.C. |
| Genset Weight (kg) | 770 |
| Noise @ 75% load (dBA) | < 75 @ 1m |
| Genset Dimensions (LxWxH) (mm) | 1950 X 950 X 2076 |
| Battery Type | 12 Volt |
| Circuit Breaker Rating (A) | 50 |

Engine Technical Data

| | |
|-----------------------------|--------------------------|
| Engine Model | FBDH2-1.2D3 |
| Engine Speed (rpm) | 3000 |
| Engine Volume (l) | 1.2 |
| Rated Power (kW) | 31.4 |
| No. of cylinder | 2 |
| Bore (mm) | 87 |
| Stroke (mm) | 100 |
| Compression Ratio | 17.5:1 |
| Aspiration | TC-IC |
| Cooling System | Liquid Cooled |
| Cooling System Capacity (l) | 5.5 |
| Governing | Electronic / Isochronous |

Alternator Technical Data

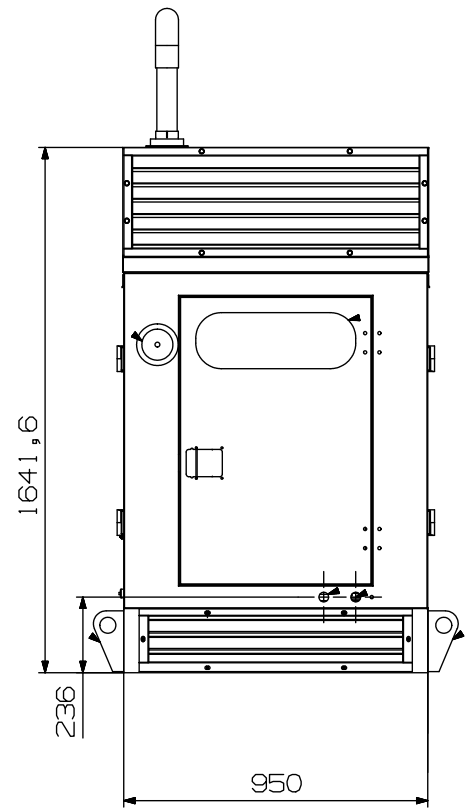
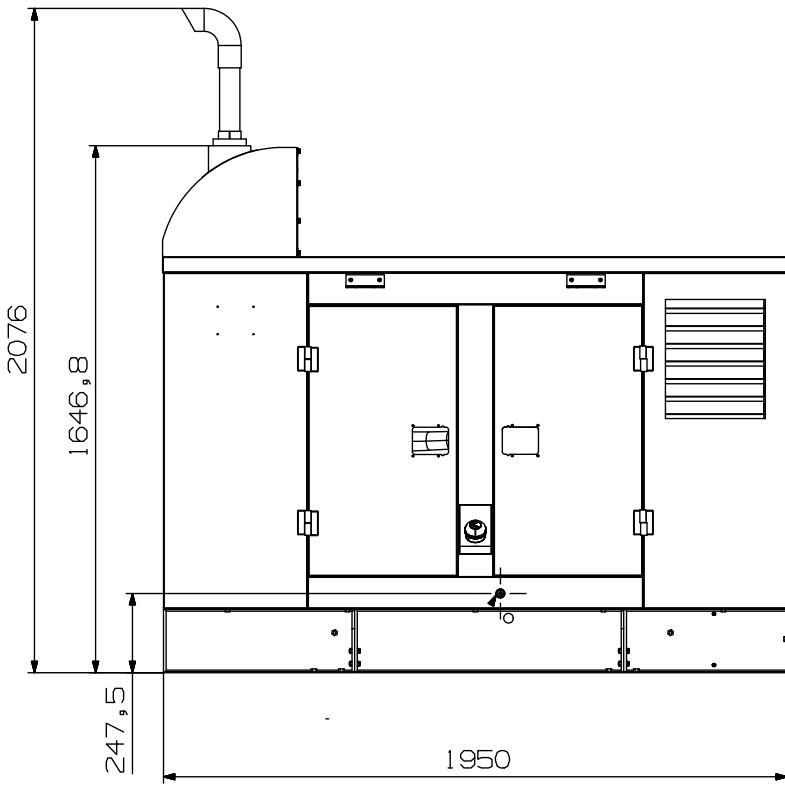
| | |
|-----------------------------|----------------|
| Alternator Make | Mecc-Alte |
| No of Bearings | Single Bearing |
| Alternator model | ECP 28-3L/2 |
| Alternator rating | 30 |
| Class of insulation | H |
| Coupling details | SAE3/11.5" |
| Voltage Variation (%) | +/- 1 |
| Rated Full load current (A) | 41.7 |

Fuel & Oil Systems Technical Data

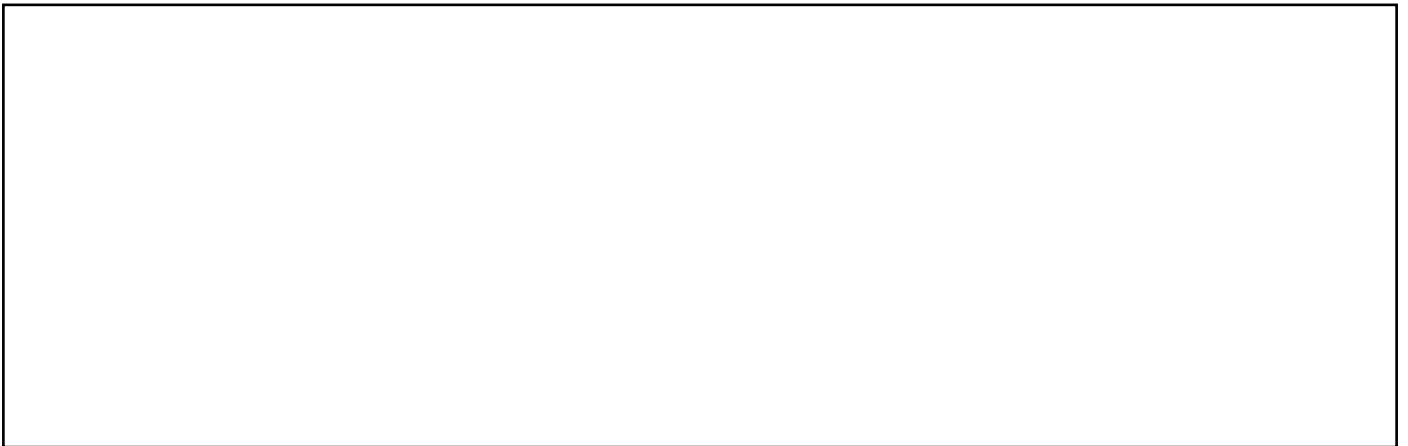
| | |
|--|--------------|
| Fuel System | CRDI |
| Type Of Fuel | HSD |
| Genset Fuel Tank Capacity (l) | 75 |
| Fuel Consumption - @ 100% Load (l/hr)* | 8.34 |
| Fuel Consumption - @ 75% Load (l/hr)* | 6.78 |
| Fuel Consumption - @ 50% Load (l/hr)* | 5.14 |
| Fuel Consumption Tolerance | 0 to +5% |
| Lube Oil change period (hrs) | 500 |
| Oil Type | 15W40 CH4 |
| Oil capacity (l) | 4.5 |
| Oil Consumption @100% load (l/hr) | < 0.1% of FC |

*sp.gr of fuel - 0.835kg/litre
 Standard operating conditions as per ISO3046 / ISO8528
 Prime Rating as per ISO8528

FB30-2



Dealer Contact Details



FG Wilson manufactures product in the following locations:

Northern Ireland • Brazil • China • India • USA

With headquarters in Northern Ireland, FG Wilson operates through a Global Dealer Network. To contact your local Sales Office please visit the FG Wilson website at www.FGWilson.com.

FG Wilson is a trading name of Caterpillar (NI) Limited.

In line with our policy of continuous product development, we reserve the right to change specification without notice.

FB30-2/1015/GB