



Cat[®] CS79B

SMOOTH DRUM VIBRATORY SOIL COMPACTOR

FEATURES:

The Cat[®] CS79B features a smooth drum and is ideally suited for granular soil applications or cohesive soil applications with the use of an optional padfoot shell kit:

- **Comfortable and ergonomic operator station** features pivoting seat with integrated multifunction LCD display and control console, outstanding visibility to the front and rear of machine, low sound levels and vibration for greater operator comfort and productivity.
- **World-class propel system** built around the exclusive Cat dual pump propel system, two pumps provide separate dedicated flow to drum drive motor and rear axle motor for exceptional gradeability and traction in forward and reverse. New electronic propel control provides more precise machine control.

- **Virtually maintenance free** due to maintenance-free hitch bearings and extended maintenance intervals for vibratory system and hydraulic system, providing more uptime and lower maintenance costs.
- **Enhanced compaction performance** due to more weight at the drum and greater amplitude. Automated speed control and vibratory system functions make it easy to ensure consistent, high quality compaction.
- **Optional Cat Compaction Control** helps the operator determine when compaction has been completed to specification for greater productivity and uniform compaction quality. CMV or exclusive Machine Drive Power (MDP) measurement technology available.

Specifications

Engine - Power Train

| | | |
|--|-----------------------------|-----------------------|
| Engine Model | Cat C6.6 with ACERT™ | |
| Global Emissions | US EPA Tier 3/EU Stage IIIA | |
| Gross Power ISO 14396 | 129.5 kW | 173.7 hp |
| Displacement | 6.6 L | 402.8 in ³ |
| Stroke | 127 mm | 5 in |
| Bore | 105 mm | 4.1 in |
| Max. Travel Speed (Forward or Reverse) | 11.4 km/h | 7 mph |

Weights

| | | |
|--------------------------------------|-----------|-----------|
| Operating Weight w/ steel sun canopy | 20 220 kg | 44,577 lb |
| w/ oval padfoot shell kit | 20 357 kg | 44,879 lb |
| w/ square padfoot shell kit | 20 511 kg | 45,219 lb |
| Operating Weight w/ ROPS/FOPS cab | 20 220 kg | 44,577 lb |
| w/ oval padfoot shell kit | 20 357 kg | 44,879 lb |
| w/ square padfoot shell kit | 20 511 kg | 45,219 lb |
| Weight at Drum w/ steel sun canopy | 13 612 kg | 30,009 lb |
| Weight at Drum w/ ROPS/FOPS cab | 13 612 kg | 30,009 lb |

Padfoot shell kit includes shell and replacement bumper.

Vibratory System Specifications

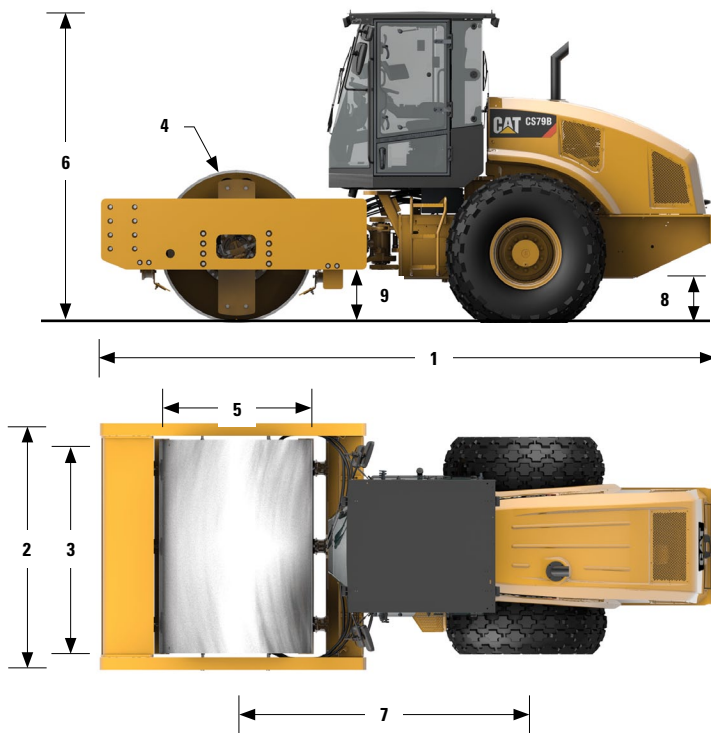
| | | |
|--------------------------------------|------------|---------------|
| Frequency | | |
| Standard | 28 Hz | 1680 vpm |
| During Eco-mode Operation | 25.5 Hz | 1527 vpm |
| Optional Variable Frequency | 23.3-28 Hz | 1400-1680 vpm |
| Nominal Amplitude @ 28 Hz (1680 vpm) | | |
| High | 2.1 mm | 0.083 in |
| Low | 0.98 mm | 0.039 in |
| Centrifugal Force @ 28 Hz (1680 vpm) | | |
| Maximum | 332 kN | 74,600 lb |
| Minimum | 166 kN | 37,300 lb |
| Static Linear Load | | |
| w/ steel sun canopy | 63.8 kg/cm | 357 lbs/in |
| w/ ROPS/FOPS cab | 63.8 kg/cm | 357 lbs/in |

Service Refill Capacities

| | | |
|---------------------------------|--------|----------|
| Fuel Tank, total capacity | 332 L | 88 gal |
| Cooling System | 28.2 L | 7.5 gal |
| Engine Oil w/ Filter | 17.4 L | 4.6 gal |
| Eccentric Weight Housings | 26 L | 6.9 gal |
| Axle and Final Drives | 24 L | 6.3 gal |
| Hydraulic Tank (service refill) | 50 L | 13.2 gal |



CS79B Vibratory Soil Compactor



Dimensions

| | | |
|--------------------------|---------|----------|
| 1 Overall Length | 6.13 m | 20.1 ft |
| 2 Overall width | 2.46 m | 8.08 ft |
| 3 Drum Width | 2134 mm | 84 in |
| 4 Drum Shell Thickness | 40 mm | 1.6 in |
| 5 Drum Diameter | 1534 mm | 60.4 in |
| 6 Maximum Overall Height | 3.11 m | 10.2 ft |
| 7 Wheelbase | 2.9 m | 9.5 ft |
| 8 Ground Clearance | 437 mm | 17.2 in |
| 9 Curb Clearance | 535 mm | 21.1 in |
| Inside Turning Radius | 3.68 m | 12.07 ft |
| Hitch Articulation Angle | 34° | |
| Hitch Oscillation Angle | 15° | |

STANDARD EQUIPMENT *Varies by market- contact your dealer for specifics.*

ELECTRICAL

- 24 volt Electrical System
- 100 ampere Alternator
- 750 Cold-cranking Amps Battery Capacity

OPERATOR ENVIRONMENT

- Open Platform with Handrails/Guardrails, Floor Mat, Steel Sun Canopy
- Vinyl Adjustable Pivoting Seat with Integrated Console and LCD Display
- Multifunction LCD Display with gauges and audible warning for: *Hydraulic oil temperature, Engine oil pressure, Engine coolant temperature, Alternator charge, Fuel level, Service hour meter, Engine RPM, Ground speed, Vibe frequency, Fuel rate, Air filter constriction, Engine load and Optional Cat Compaction Control*
- Adjustable Tilting Steering Column with Integrated Cup Holders
- Seat Belt
- 12-volt Power Outlet
- Interior Rear View Mirror
- Horn, Backup Alarm

POWER TRAIN

- Cat C6.6 Diesel Engine
- Air Cleaner, Dual Element
- Three-speed Throttle Switch, Eco-mode and Automatic Speed Control
- Dual Propel Pumps; One for Drum Drive, One for Rear Axle
- Fuel Filter, Water Separator, Priming Pump, Water Indicator
- Tilting Radiator/Hydraulic Oil Cooler
- Dual Braking System
- Two-speed Hydrostatic Transmission

VIBRATORY SYSTEM

- Smooth Drum
- Dual Amplitude, Single Frequency
- Dual Pod-Style Eccentric Weight Housings
- Auto-vibe Function
- Front Adjustable Steel Scrapers

OTHER

- Sight Gauges for Hydraulic Oil Level and Radiator Coolant Level
- S-O-SSM Sampling Valves: Engine Oil, Hydraulic Oil and Coolant

OPTIONAL EQUIPMENT

- ROPS/FOPS Cab with Climate Control
- Padfoot Shell Kit (oval or square pads available- includes bumper)
- Variable Vibration Frequency
- Beacon, Rotating
- Polyurethane Drum Scrapers
- Steel Rear-side Drum Scraper
- Sun Visor
- Deluxe High-back Air-ride Pivoting Seat (with Cab only)
- Cat Compaction Control, Machine Drive Power or CMV
- SBAS GNSS Mapping for Cat Compaction Control (RTK available)
- Upgraded Halogen Light Package
- Cab Internal Rear View Mirrors
- Cab Internal Roll-down Sun Screen
- Product Link[™]
- Additional Rear View Mirrors
- Fuel Fill Access Door
- Transmission Guard

For more complete information on Cat products, dealer services, and industry solutions, visit us on the web at www.cat.com

QEHQ1833 (8-14)

© 2014 Caterpillar
All Rights Reserved
Printed in U.S.A.

LRC

Materials and specifications are subject to change without notice. Featured machines in photos may include additional equipment. See your Cat dealer for available options.

CAT, CATERPILLAR, SAFETY.CAT.COM, their respective logos, "Caterpillar Yellow" and the "Power Edge" trade dress, as well as corporate and product identity used herein, are trademarks of Caterpillar and may not be used without permission.

